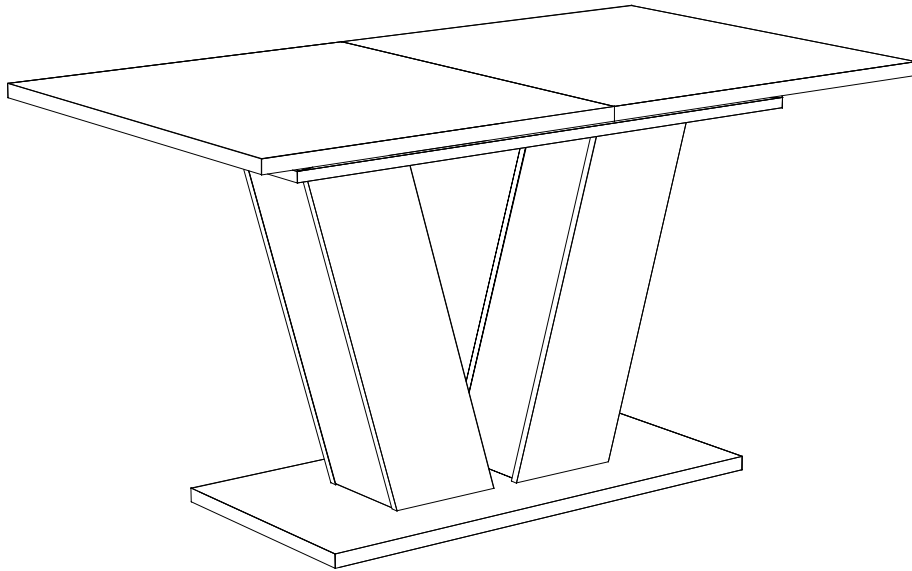
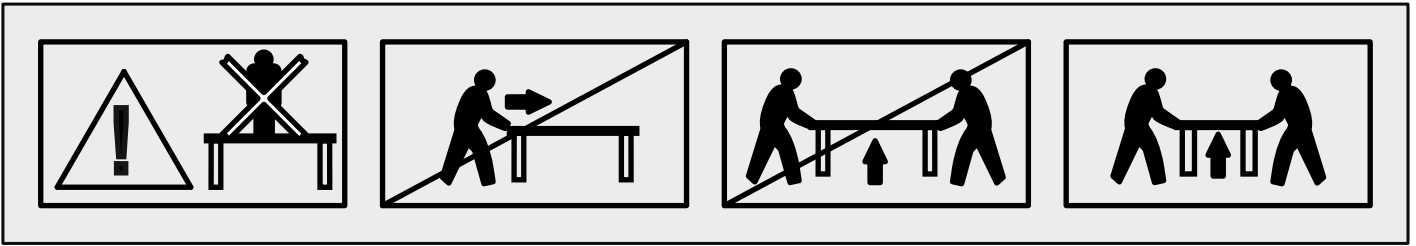


REPC-Nr.:

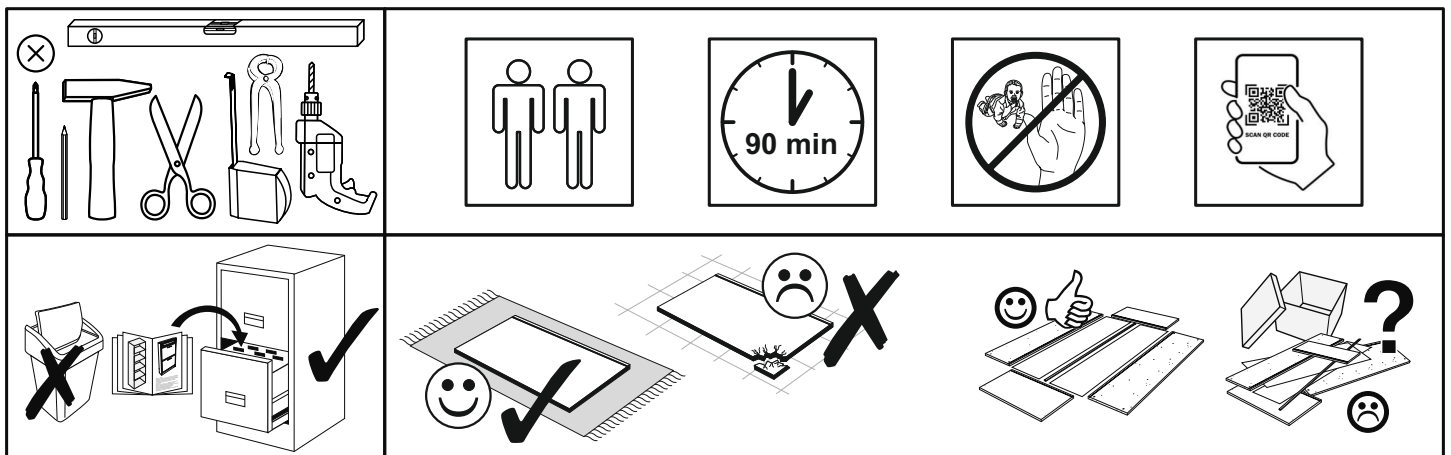


Artikel.-Nr.:

**5000-UG-V +
5000-TP-140-180**

Montageanleitung.-Nr.:

MA1-00507



SCAN ME

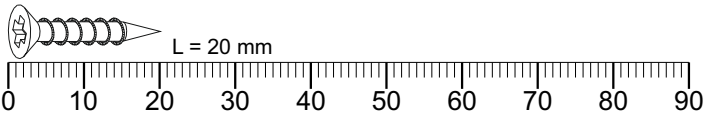
Das Ersatzteil-Anforderungsformular finden Sie auf
The replacement parts requisition form you find on
<https://www.maeusbacher.de/ersatzteile/>

BT1-00590 Colli 1/1

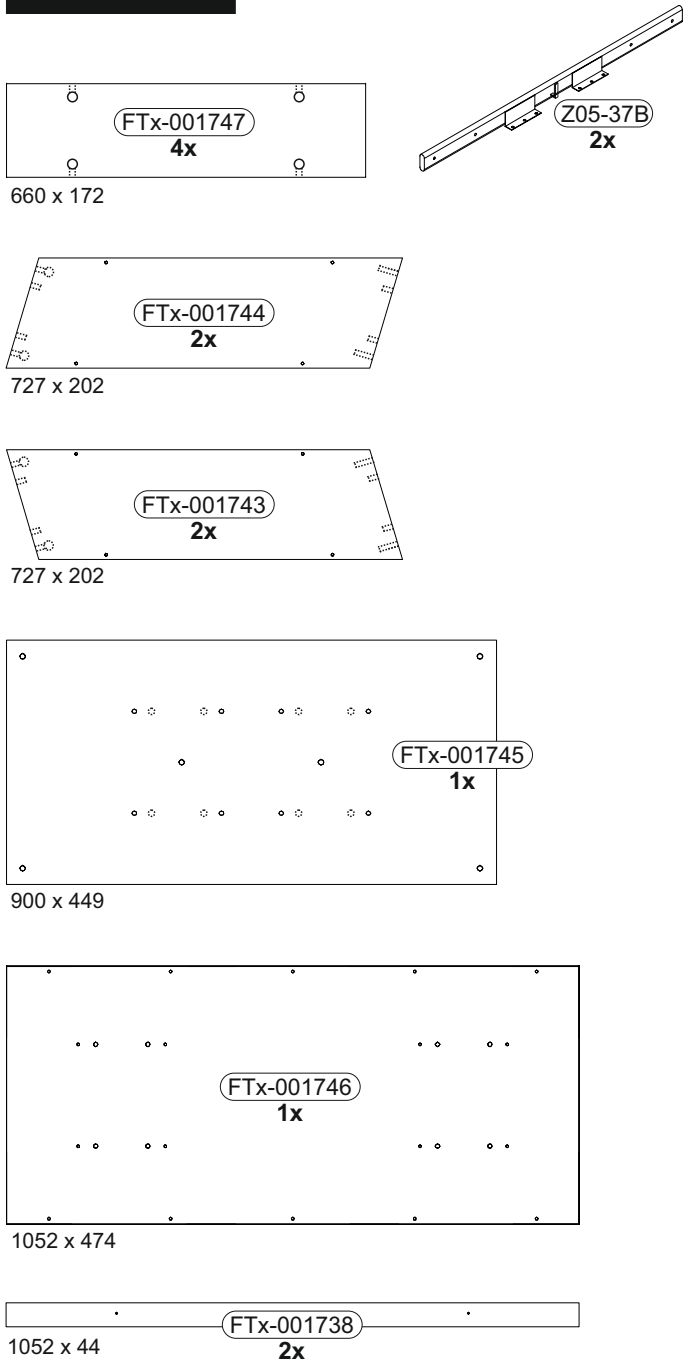
| | | | | | | | | | |
|---------|--------|-----------|--------|---------|--------|---------|------|---------|------|
| B01-110 | | B01-120 | | B01-20 | | B01-240 | | B01-242 | |
| 8x | 3,5x35 | 10x | 3,5x45 | 8x | 7,0x70 | 1x | SW 4 | 1x | SW 6 |
| B01-360 | | B01-39-20 | | B01-90 | | B02-103 | | B02-170 | |
| 6x | M6 | 12x | 5x20 | 14x | 3,5x20 | 16x | 8x30 | 2x | |
| B02-174 | | B02-183 | | B02-211 | | B02-212 | | B05-130 | |
| 4x | | 6x | M6x20 | 6x | | 6x | | 5x | Leim |
| B05-20 | | B02-20 | | B02-10 | | | | | |
| 8x | | 24x | | 24x | | | | | |



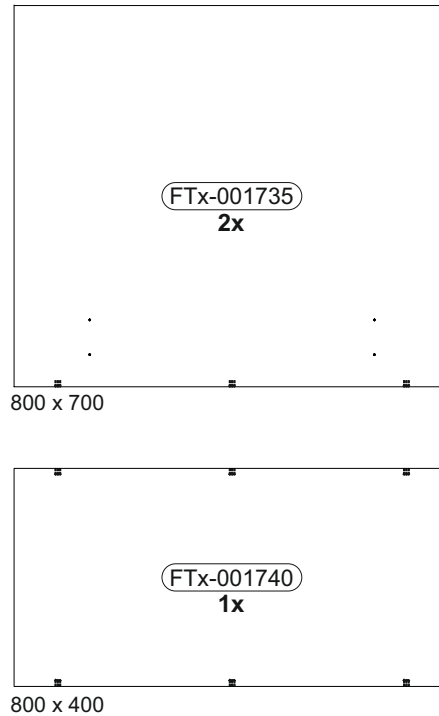
▶ SCAN ME




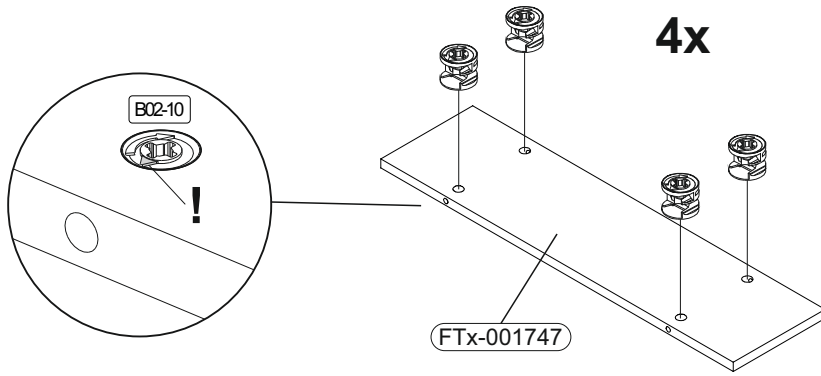
5000-UG-V Colli 1/1


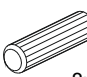




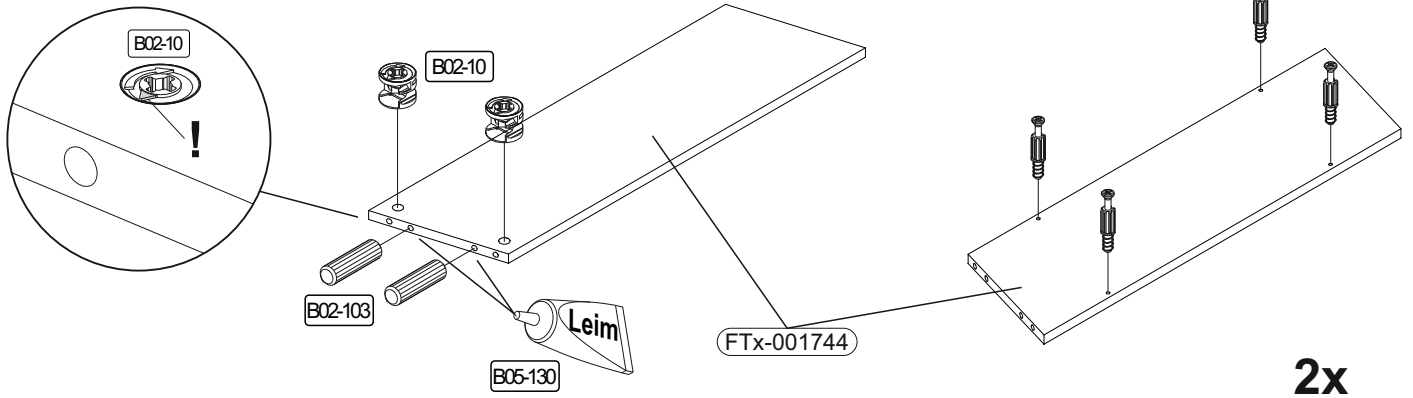
5000-TP-140-180 Colli 1/1


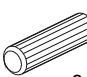




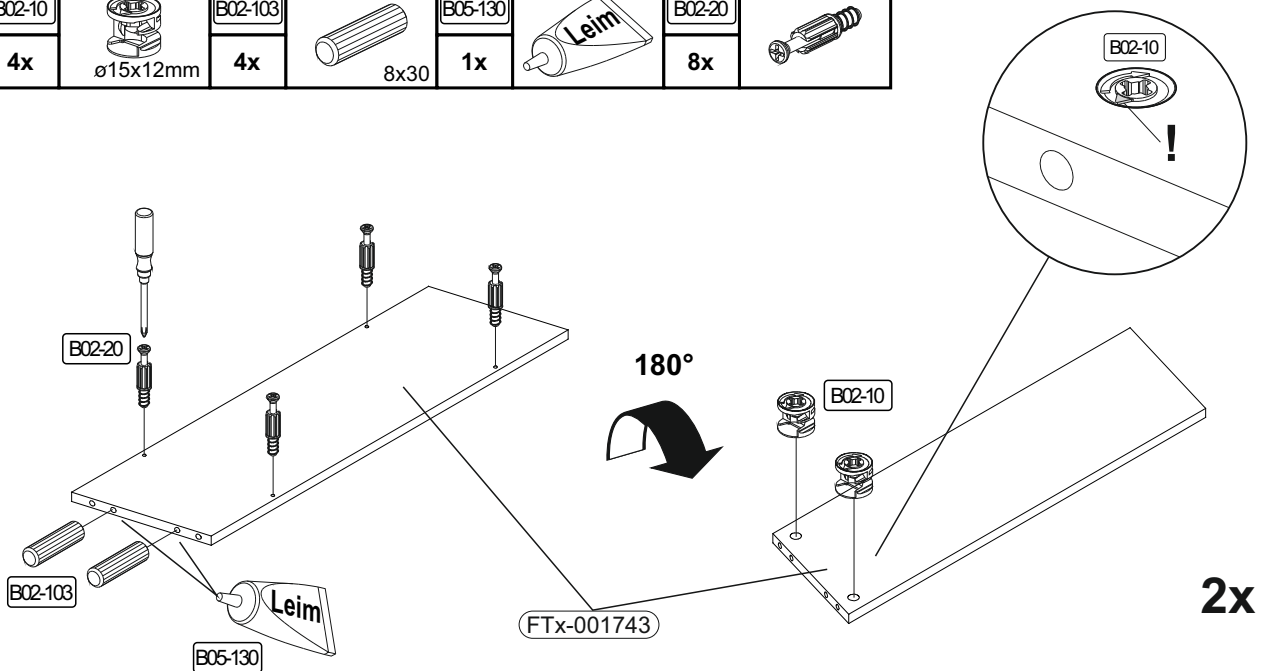
| | | |
|----------|--------|--|
| 1 | B02-10 |  |
| | 16x | ø15x12mm |

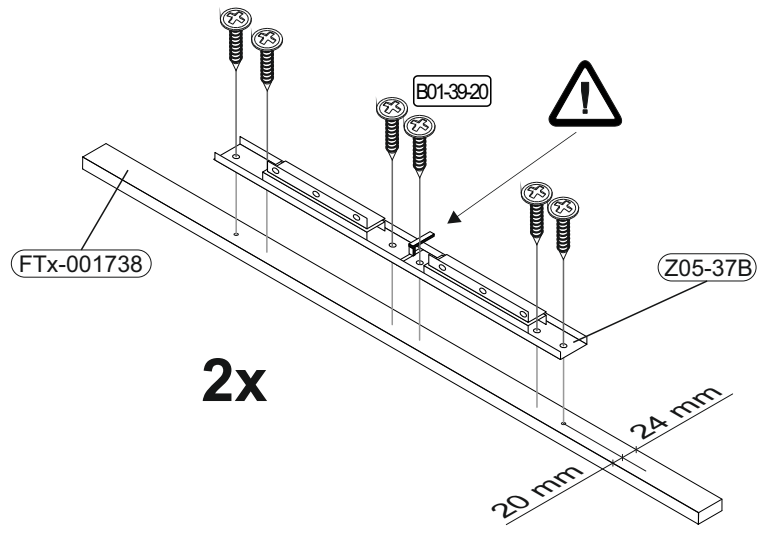
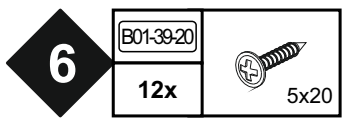
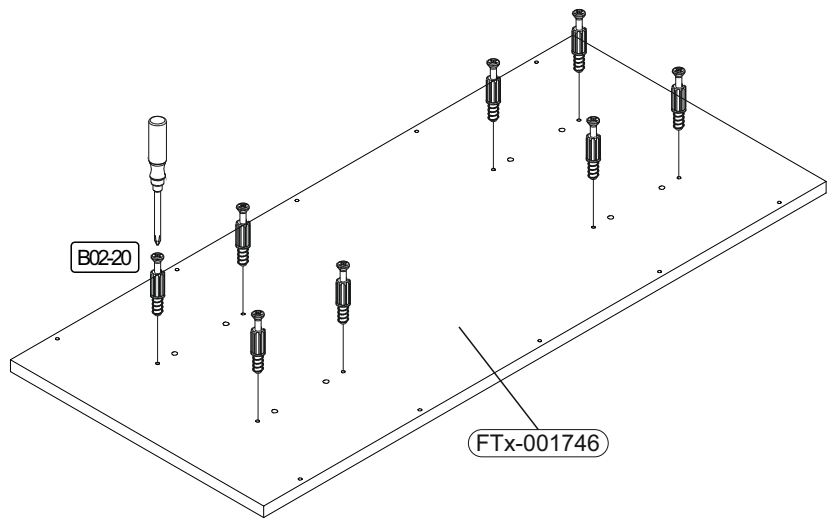
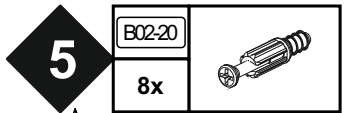
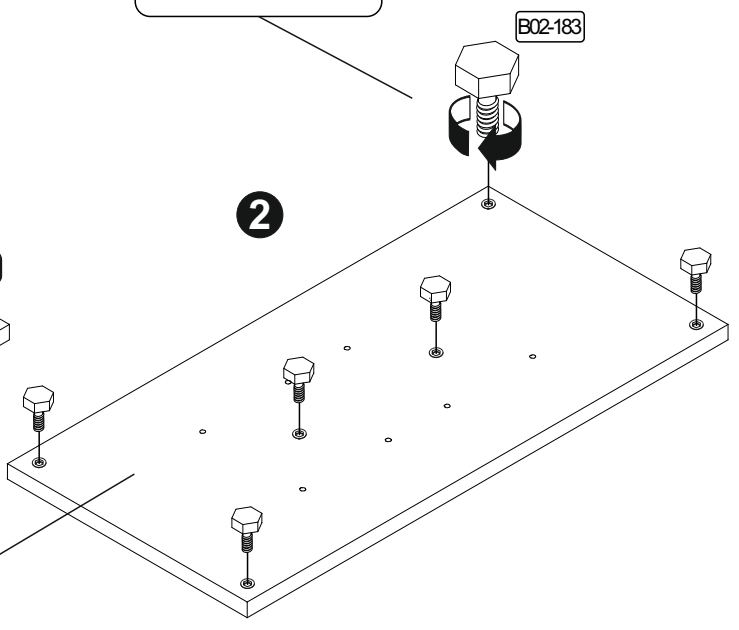
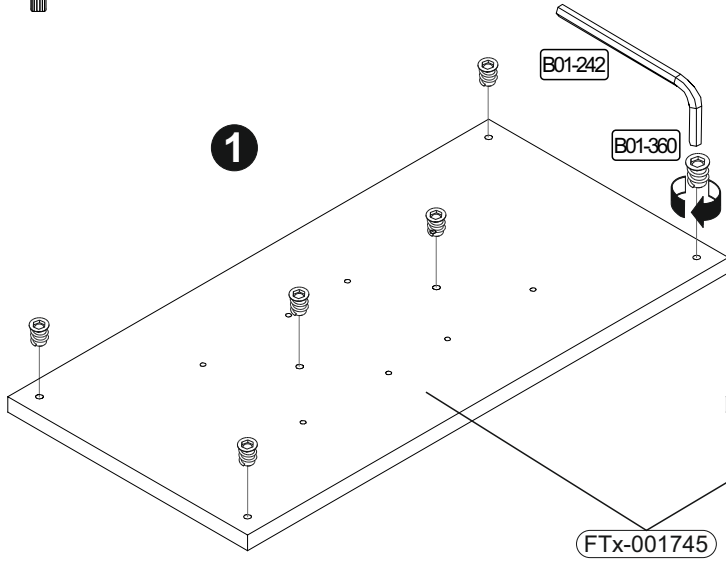
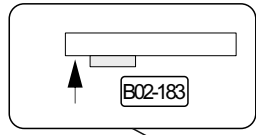
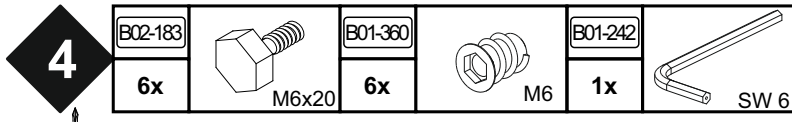


| | | | | | | | | |
|----------|--------|---|---------|---|---------|---|--------|--|
| 2 | B02-10 |  | B02-103 |  | B05-130 |  | B02-20 |  |
| | 4x | ø15x12mm | 4x | 8x30 | 1x | Leim | 8x | |

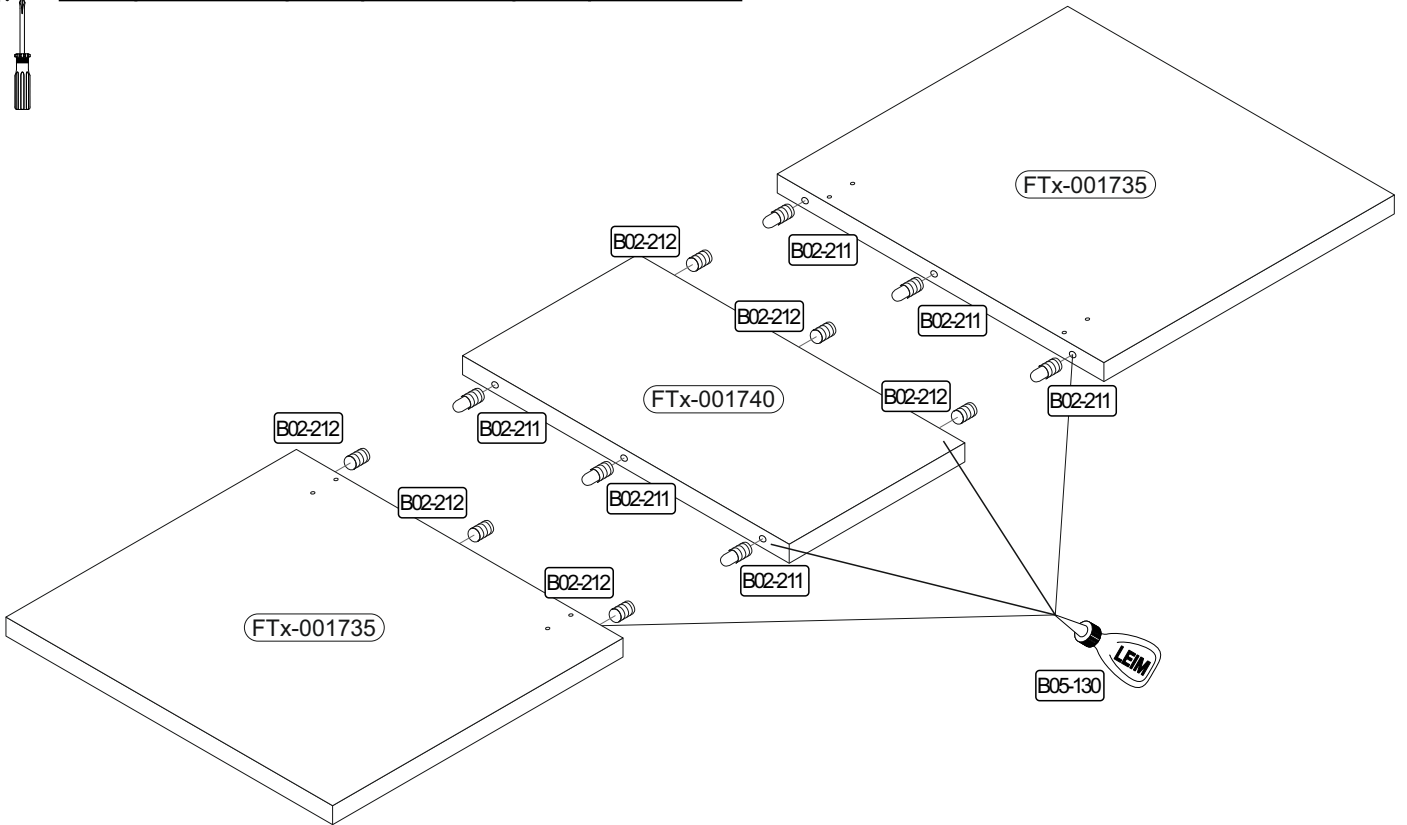
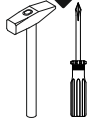


| | | | | | | | | |
|----------|--------|---|---------|---|---------|---|--------|--|
| 3 | B02-10 |  | B02-103 |  | B05-130 |  | B02-20 |  |
| | 4x | ø15x12mm | 4x | 8x30 | 1x | Leim | 8x | |

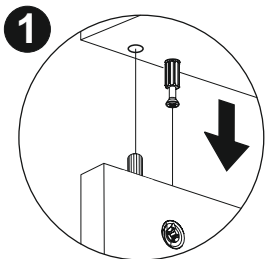




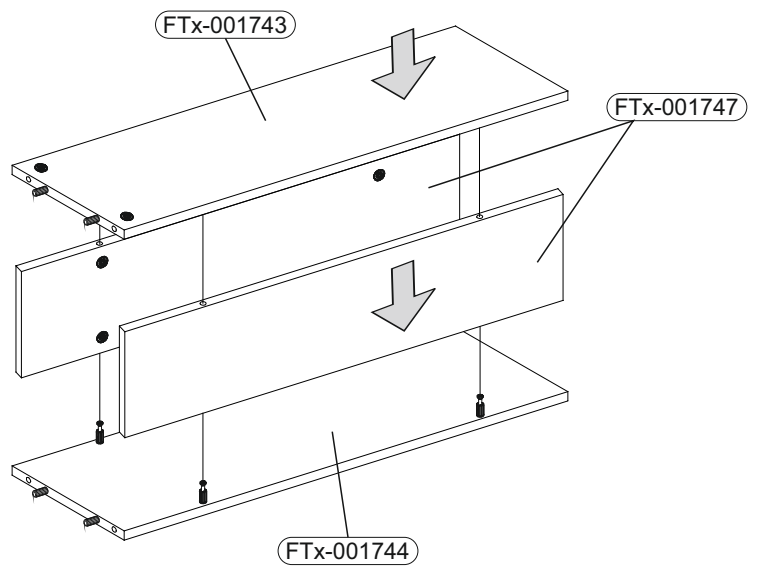
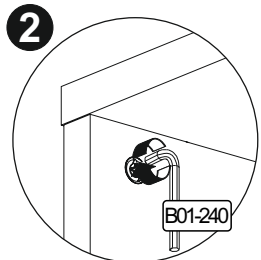
| | | | | | | |
|----------|---------|--|---------|--|---------|--|
| 7 | B02-211 | | B02-212 | | B05-130 | |
| | 6x | | 6x | | 2x | |



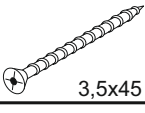
| | | |
|----------|---------|------|
| 8 | B01-240 | |
| | 1x | SW 4 |


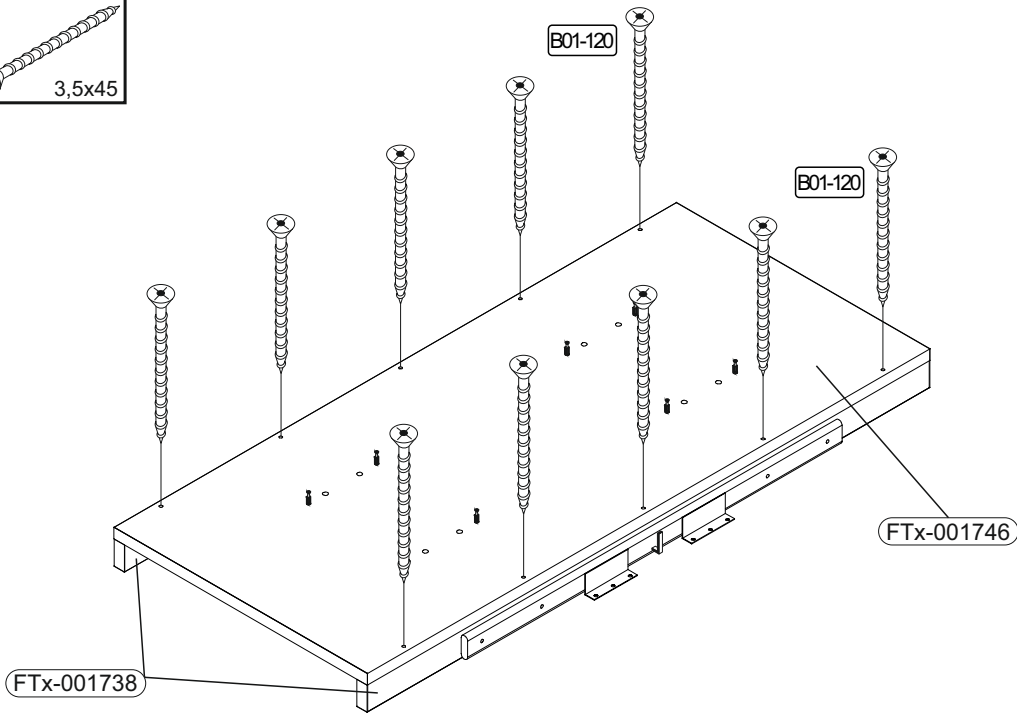


2x

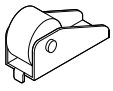


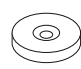



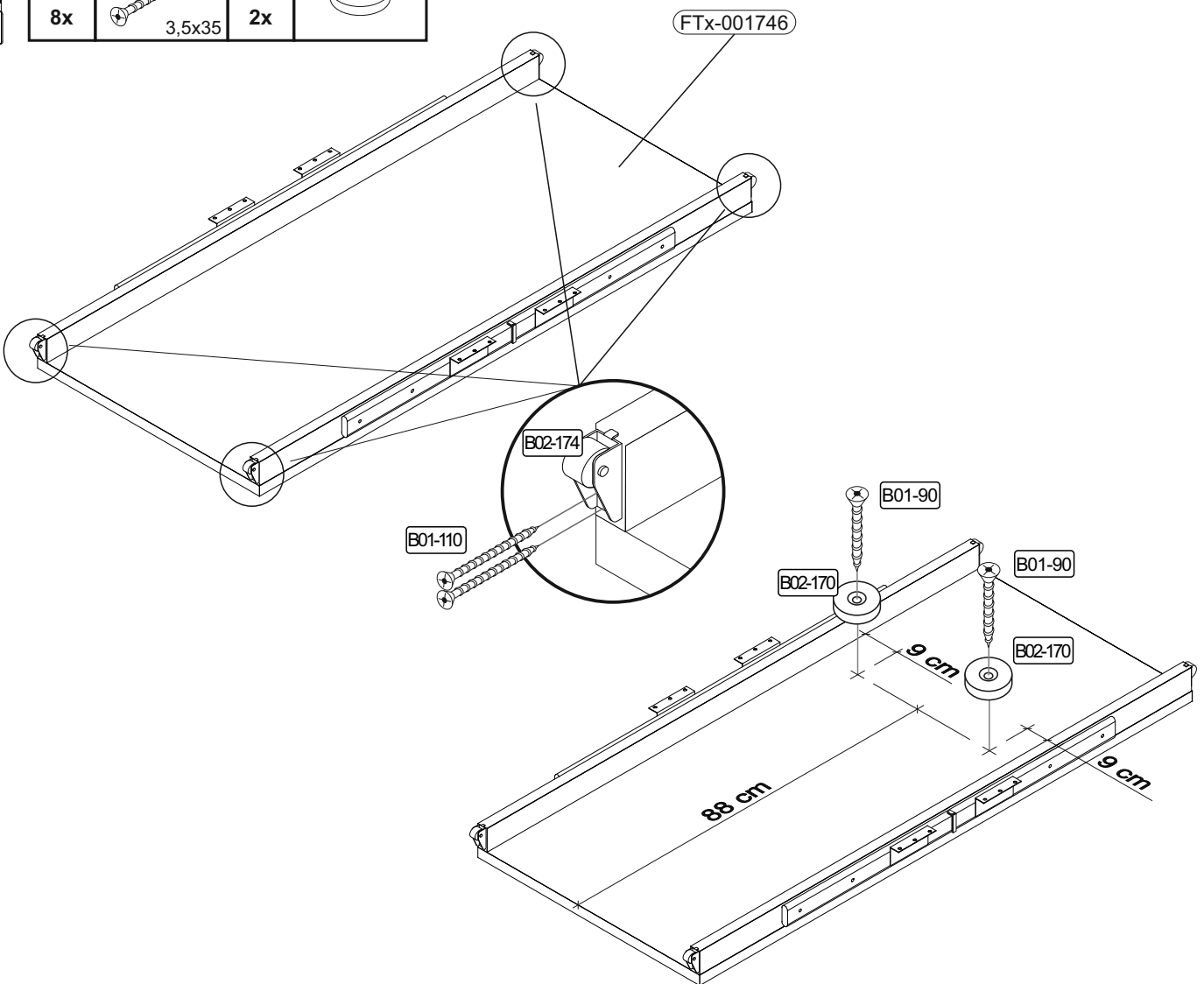
9

| | |
|---------|--|
| B01-120 |  |
| 10x | 3,5x45 |





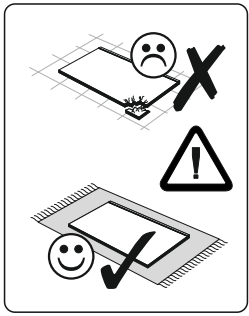
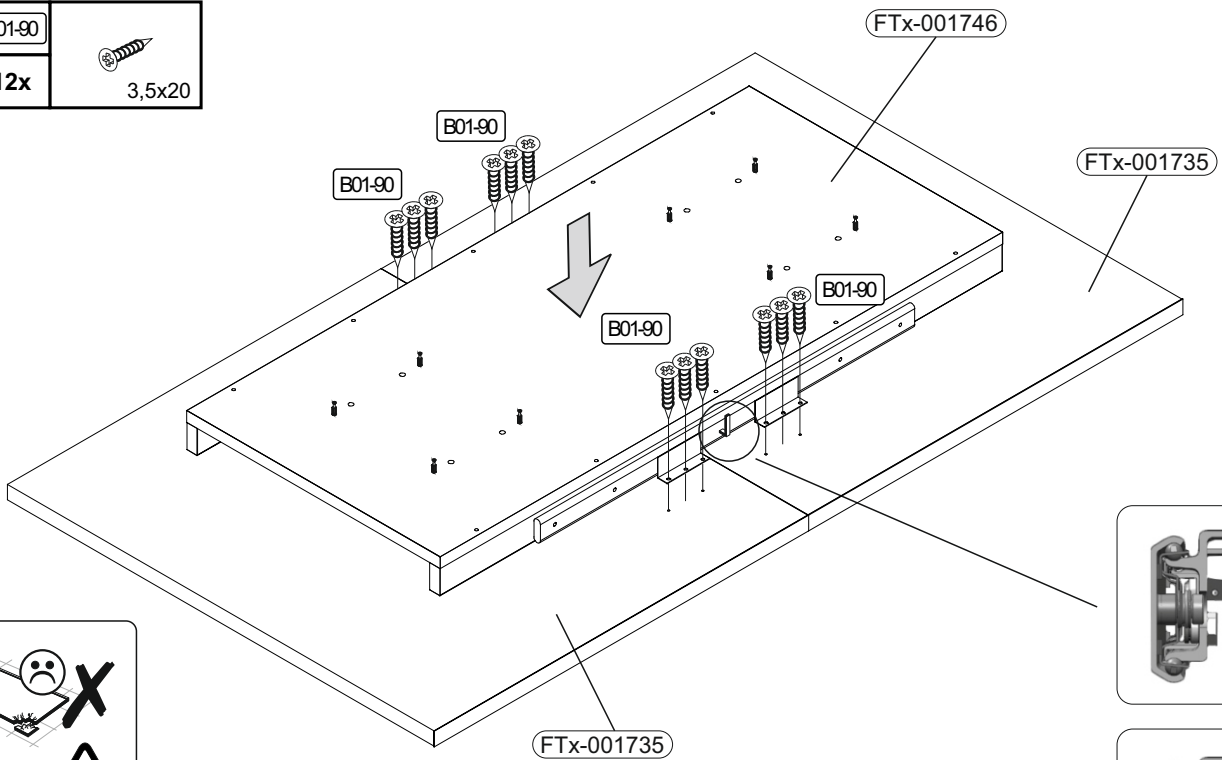
10

| | | | |
|---------|--|---------|--|
| B02-174 |  | B01-90 |  |
| 4x | | 2x | 3,5x20 |
| B01-110 |  | B02-170 |  |
| 8x | 3,5x35 | 2x | |





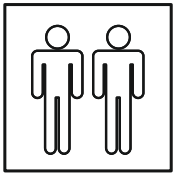
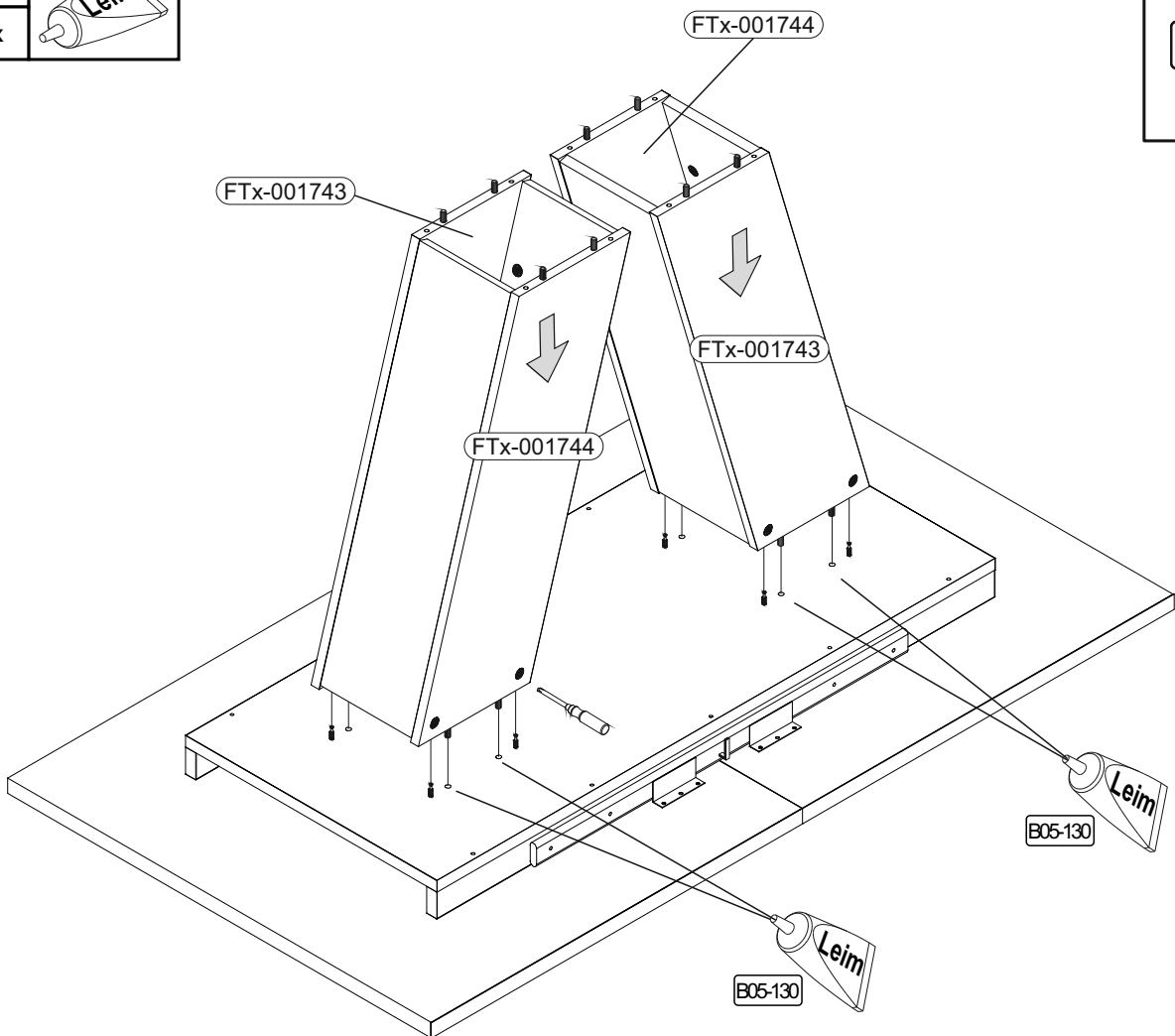
11

| | |
|--------|--|
| B01-90 |  |
| 12x | 3,5x20 |

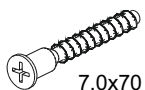
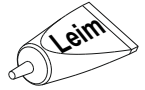


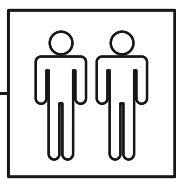
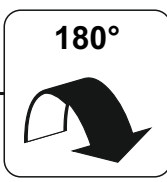
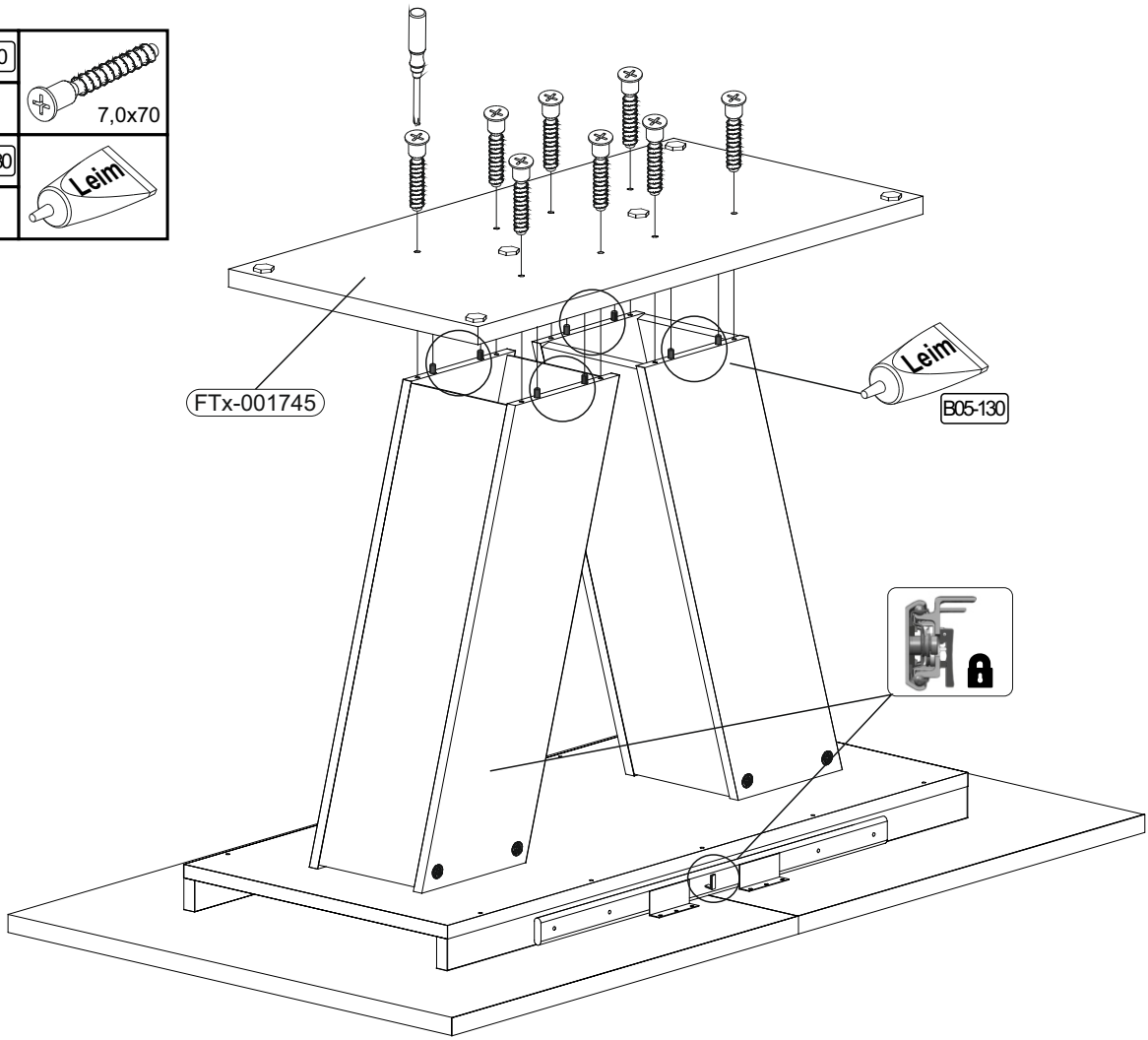
12

| | |
|---------|---|
| B05-130 |  |
| 1x | Leim |




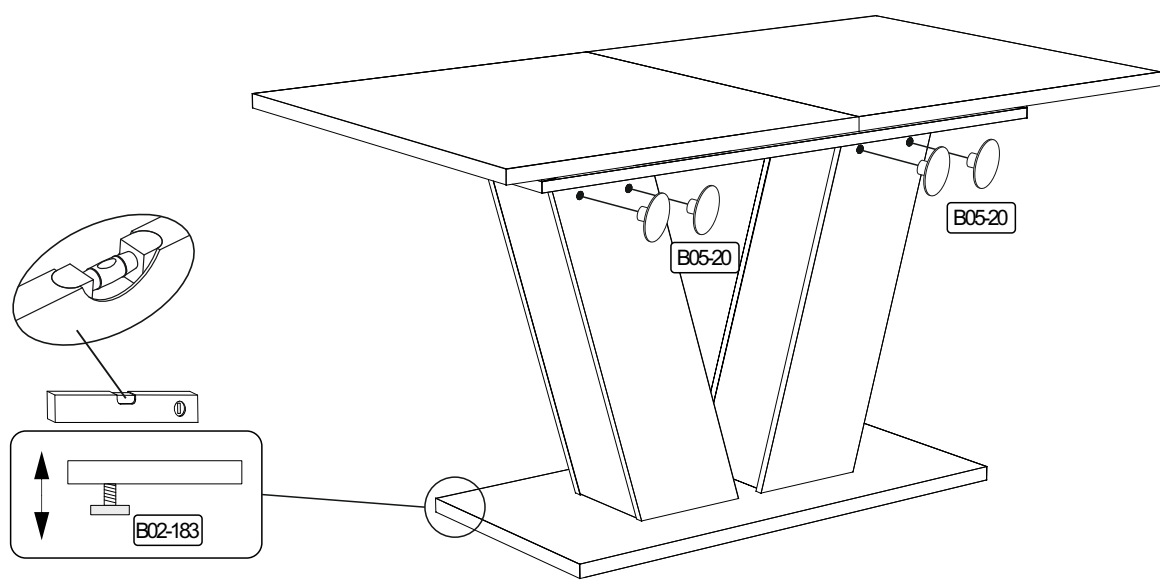
13

| | |
|---------|---|
| B01-20 |  |
| 8x | 7,0x70 |
| B05-130 |  |
| 1x | Leim |



14

| | |
|--------|---|
| B05-20 |  |
| 8x | |



SCAN ME