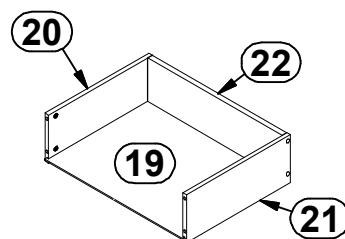
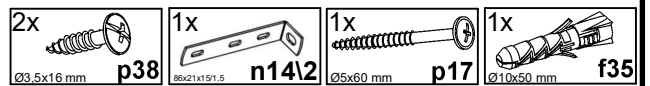
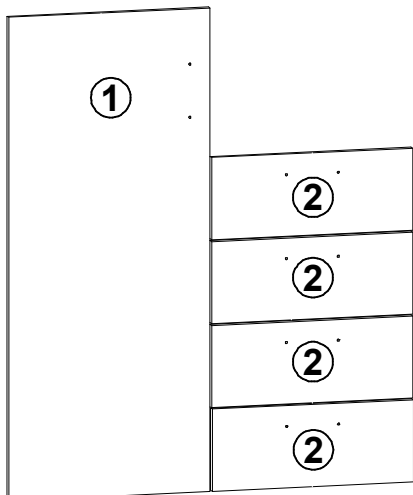
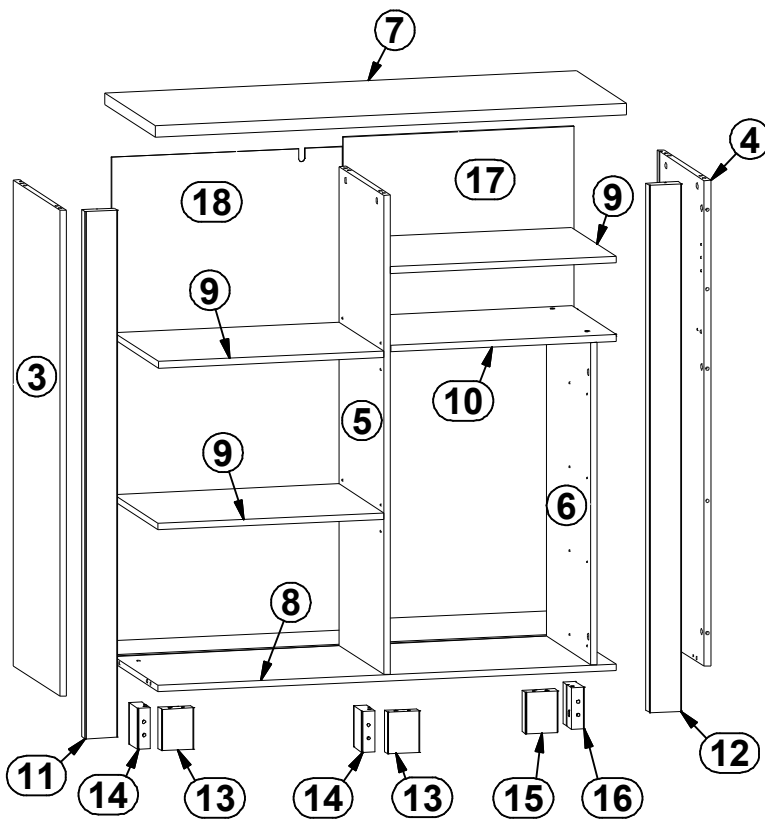
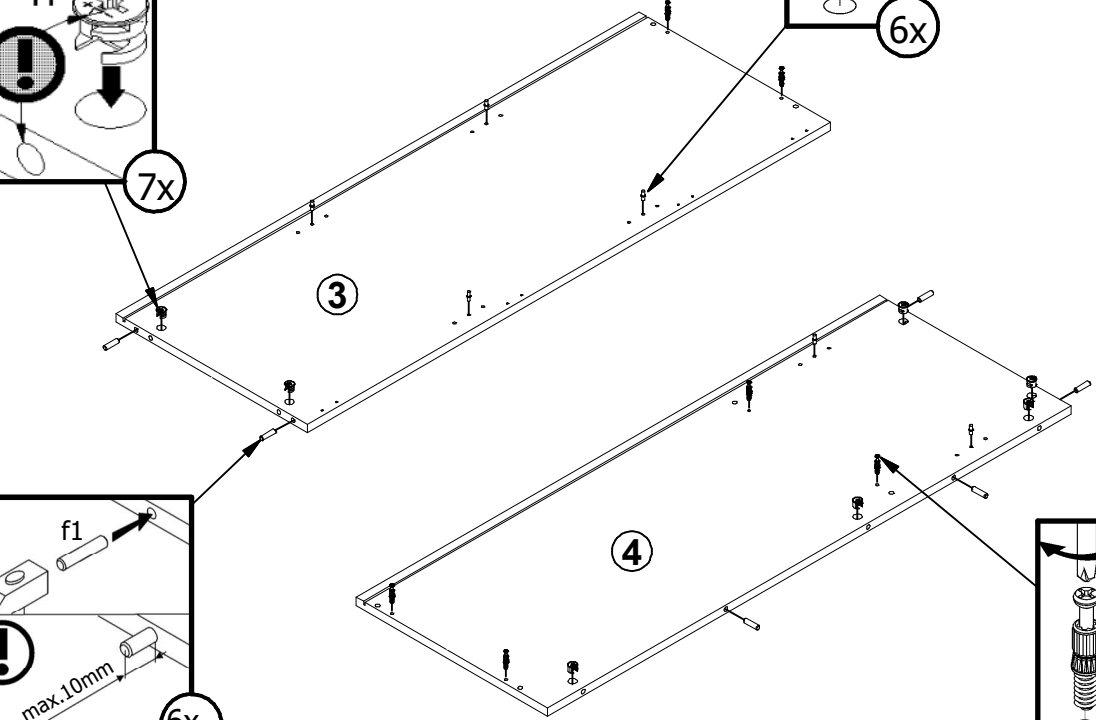
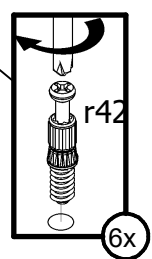
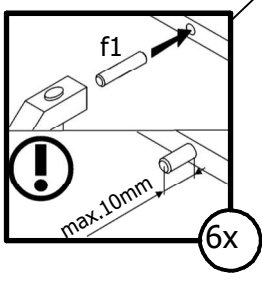
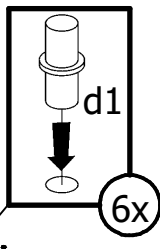
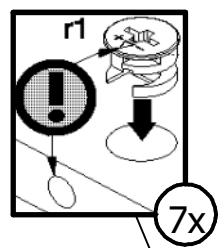


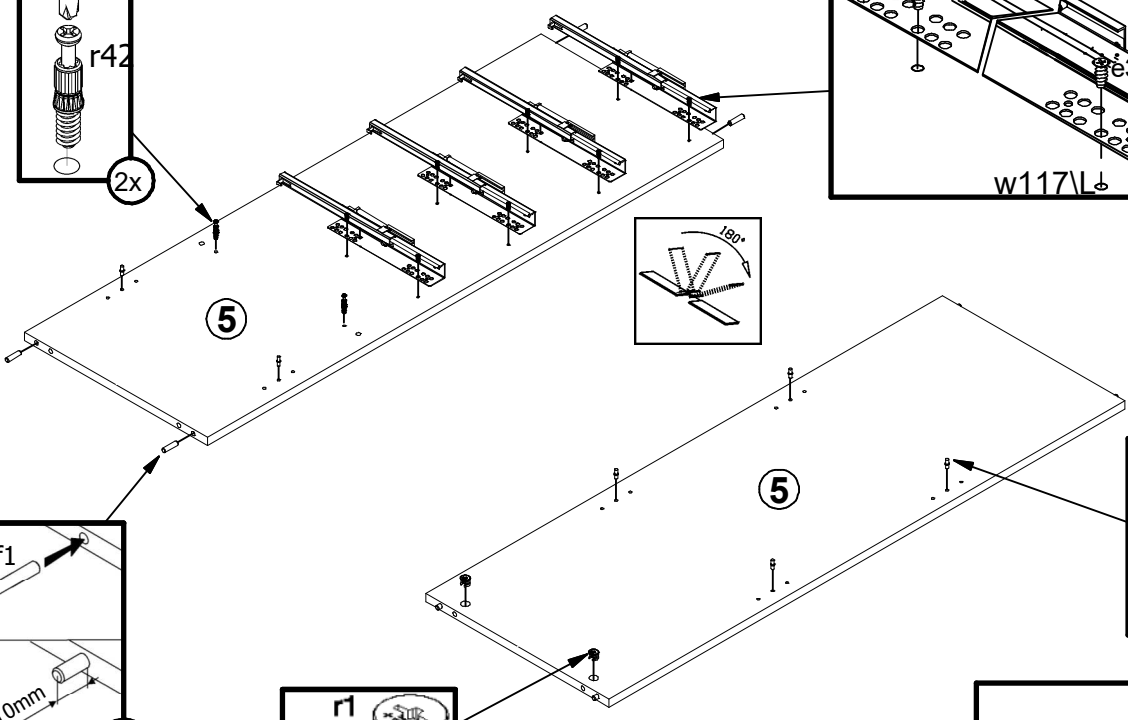
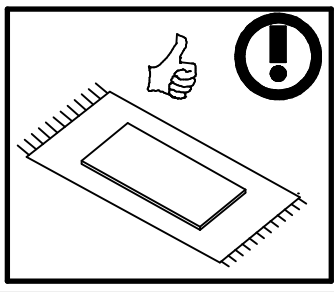
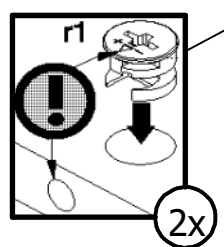
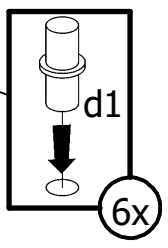
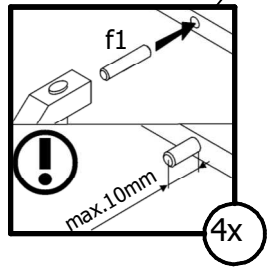
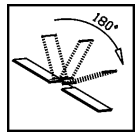
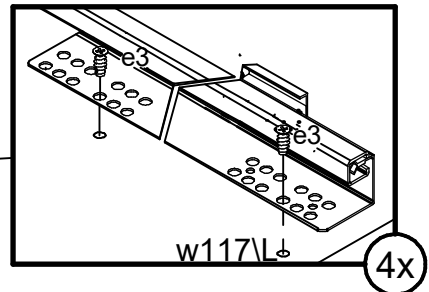
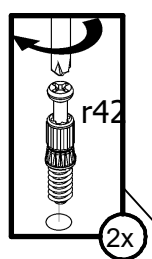
| A  | B         | C1    | C2  | C3  | D   |
|----|-----------|-------|-----|-----|-----|
| 1  | S559-0004 | 1170  | 496 | 16  | 3/3 |
| 2  | S559-0005 | 496   | 199 | 16  | 3/3 |
| 3  | S559-1005 | 1175  | 430 | 16  | 1/3 |
| 4  | S559-1006 | 1175  | 430 | 16  | 1/3 |
| 5  | S559-1007 | 1159  | 410 | 16  | 1/3 |
| 6  | S559-1008 | 780   | 410 | 16  | 1/3 |
| 7  | S559-2002 | 1163  | 464 | 28  | 2/3 |
| 8  | S559-3005 | 1129  | 430 | 16  | 2/3 |
| 9  | S559-3006 | 556   | 410 | 16  | 3/3 |
| 10 | S559-3008 | 556,5 | 410 | 16  | 3/3 |
| 11 | S559-5003 | 1275  | 80  | 32  | 1/3 |
| 12 | S559-5004 | 1275  | 80  | 32  | 1/3 |
| 13 | S559-5701 | 100   | 80  | 32  | 1/3 |
| 14 | S559-5702 | 100   | 80  | 32  | 1/3 |
| 15 | S559-5703 | 100   | 80  | 32  | 1/3 |
| 16 | S559-5704 | 100   | 80  | 32  | 1/3 |
| 17 | S559-9002 | 1169  | 569 | 2,5 | 3/3 |
| 18 | S559-9003 | 1169  | 569 | 2,5 | 3/3 |
| 19 | WSP-9465  | 463   | 358 | 2,5 | 2/3 |
| 20 | ZQ6-511   | 350   | 140 | 12  | 2/3 |
| 21 | ZQ6-512   | 350   | 140 | 12  | 2/3 |
| 22 | ZQ6-5023  | 453   | 127 | 15  | 3/3 |



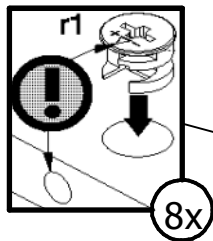
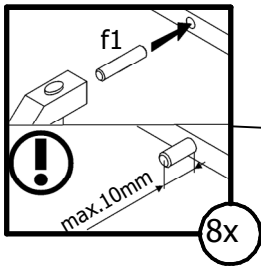
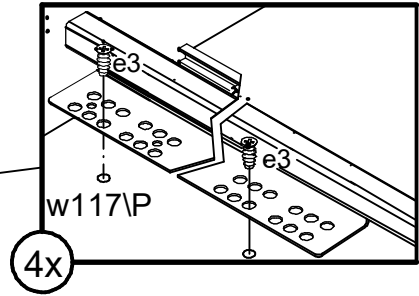
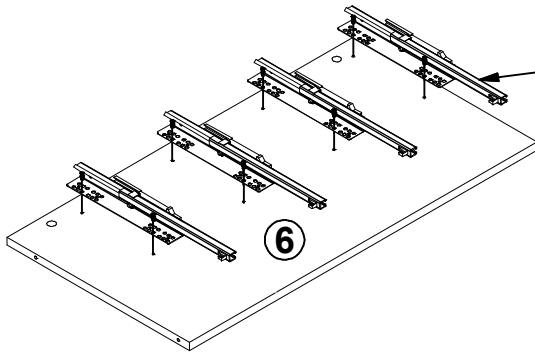
1



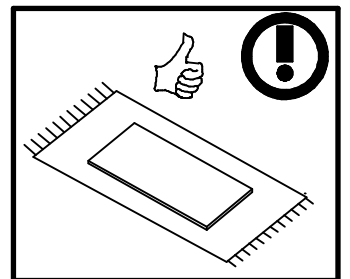
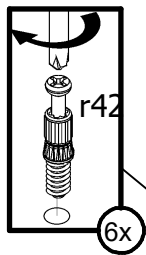
2



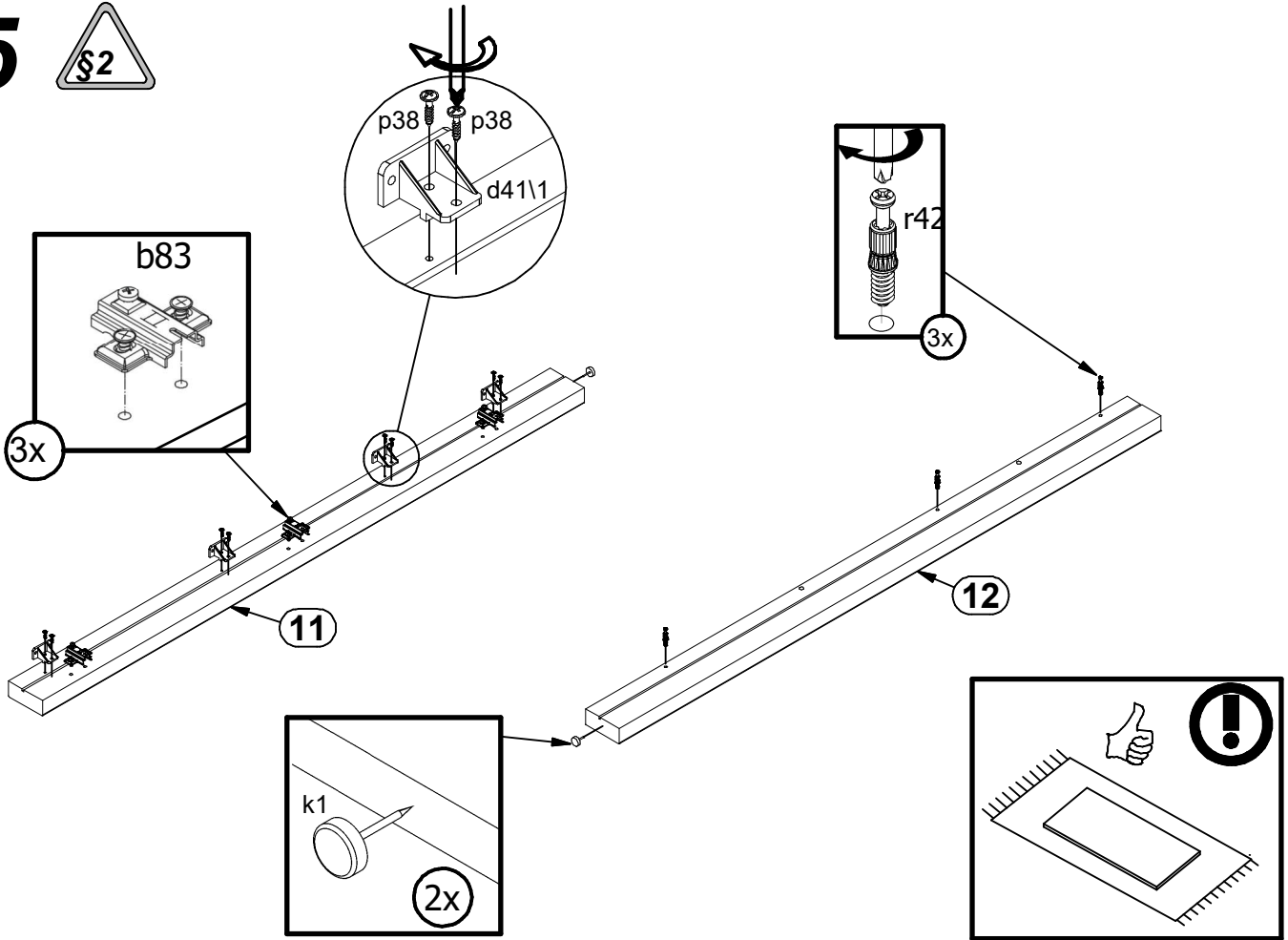
3



4



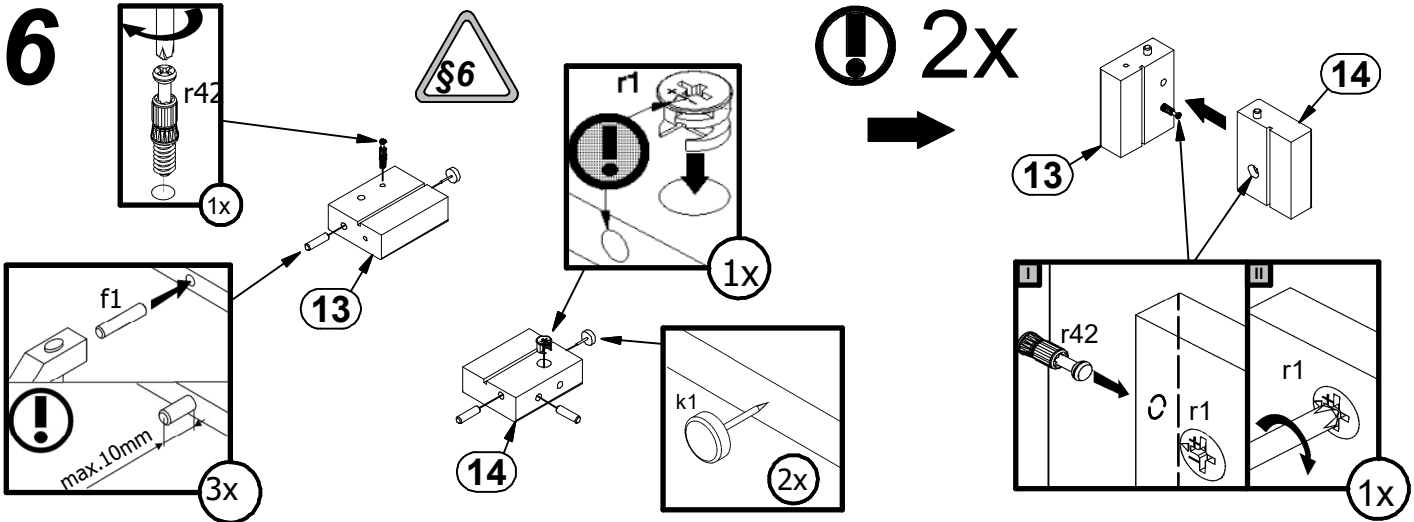
5



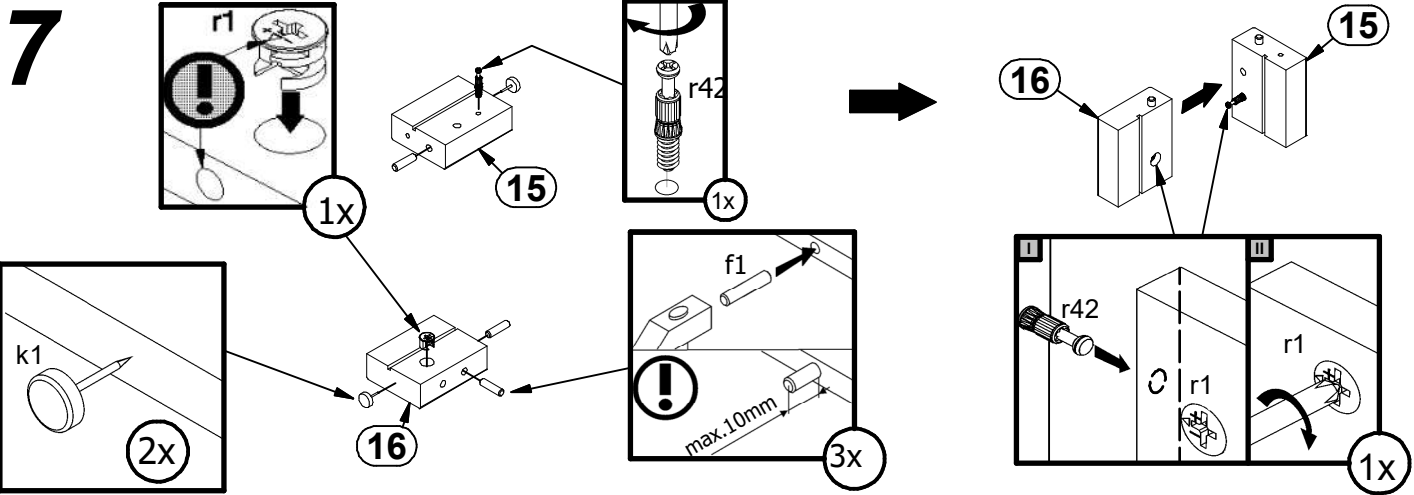
6



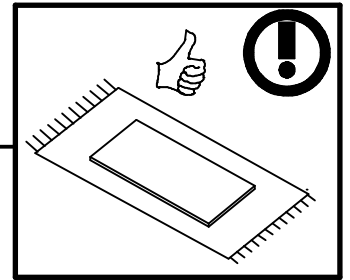
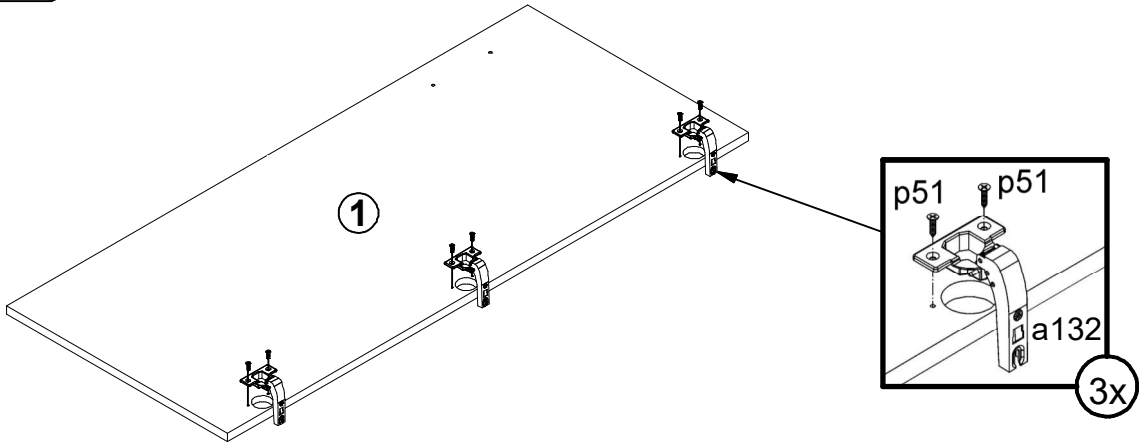
! 2x



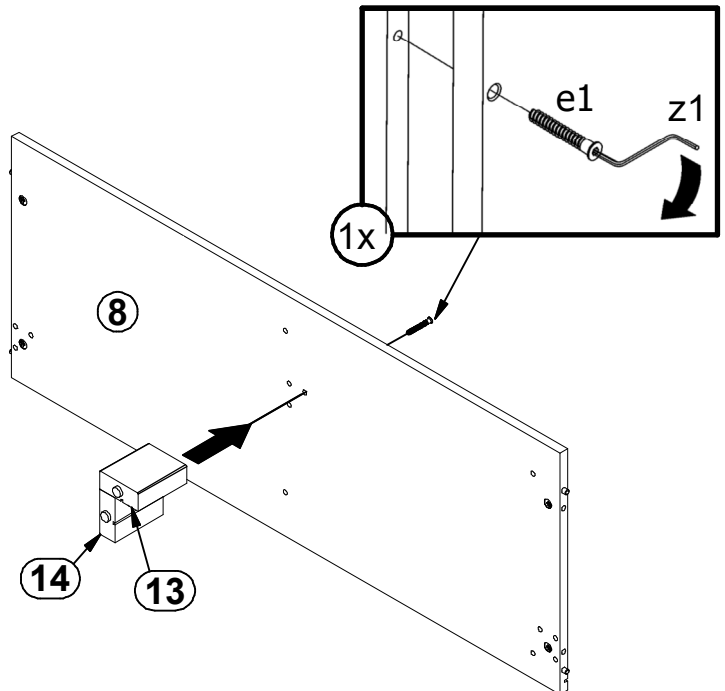
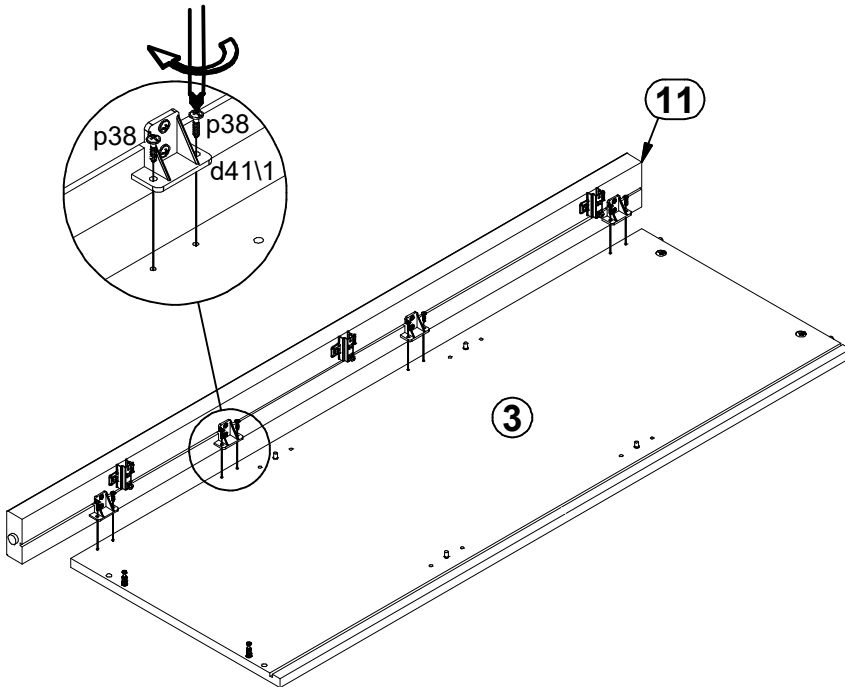
7



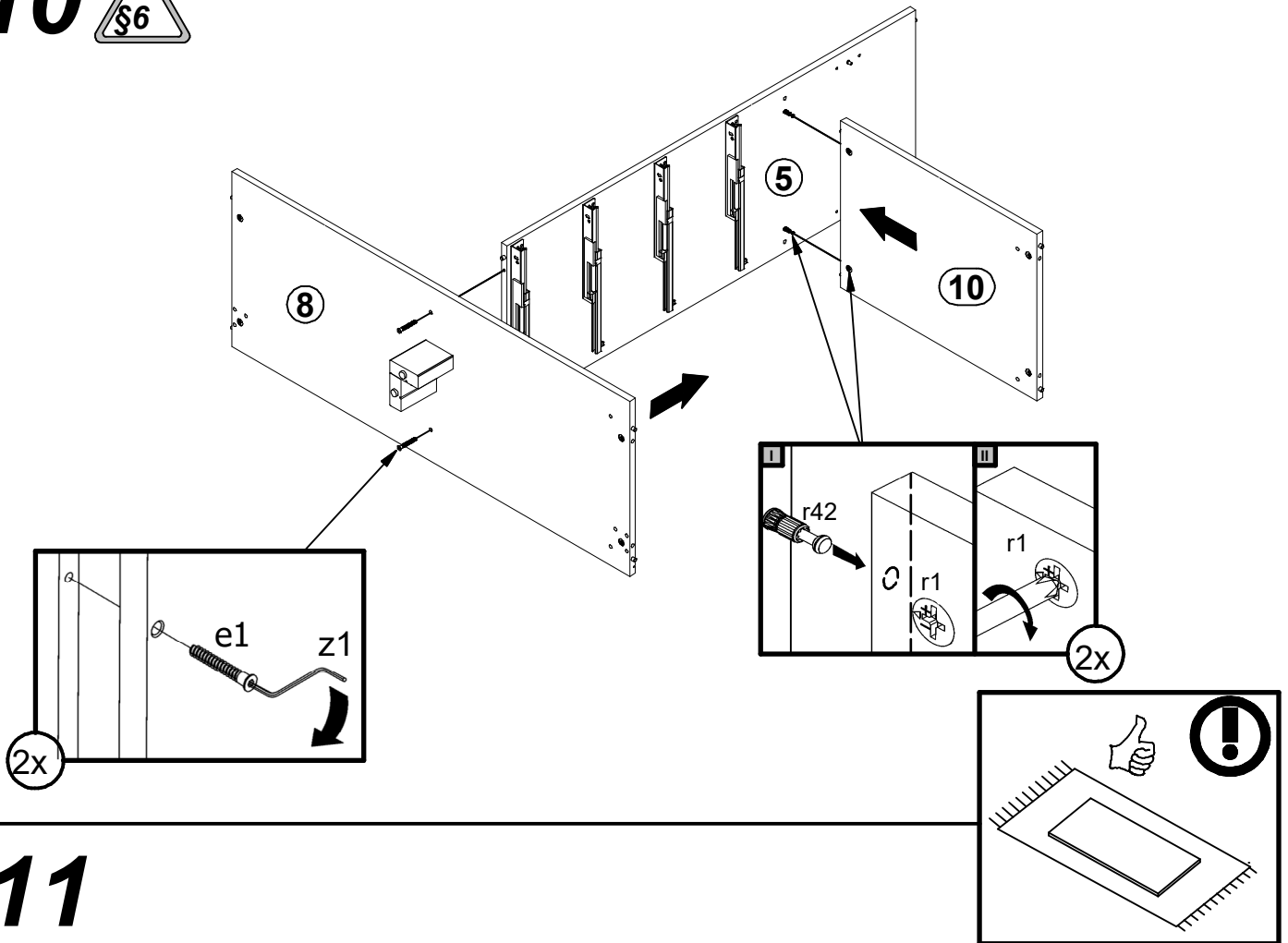
8



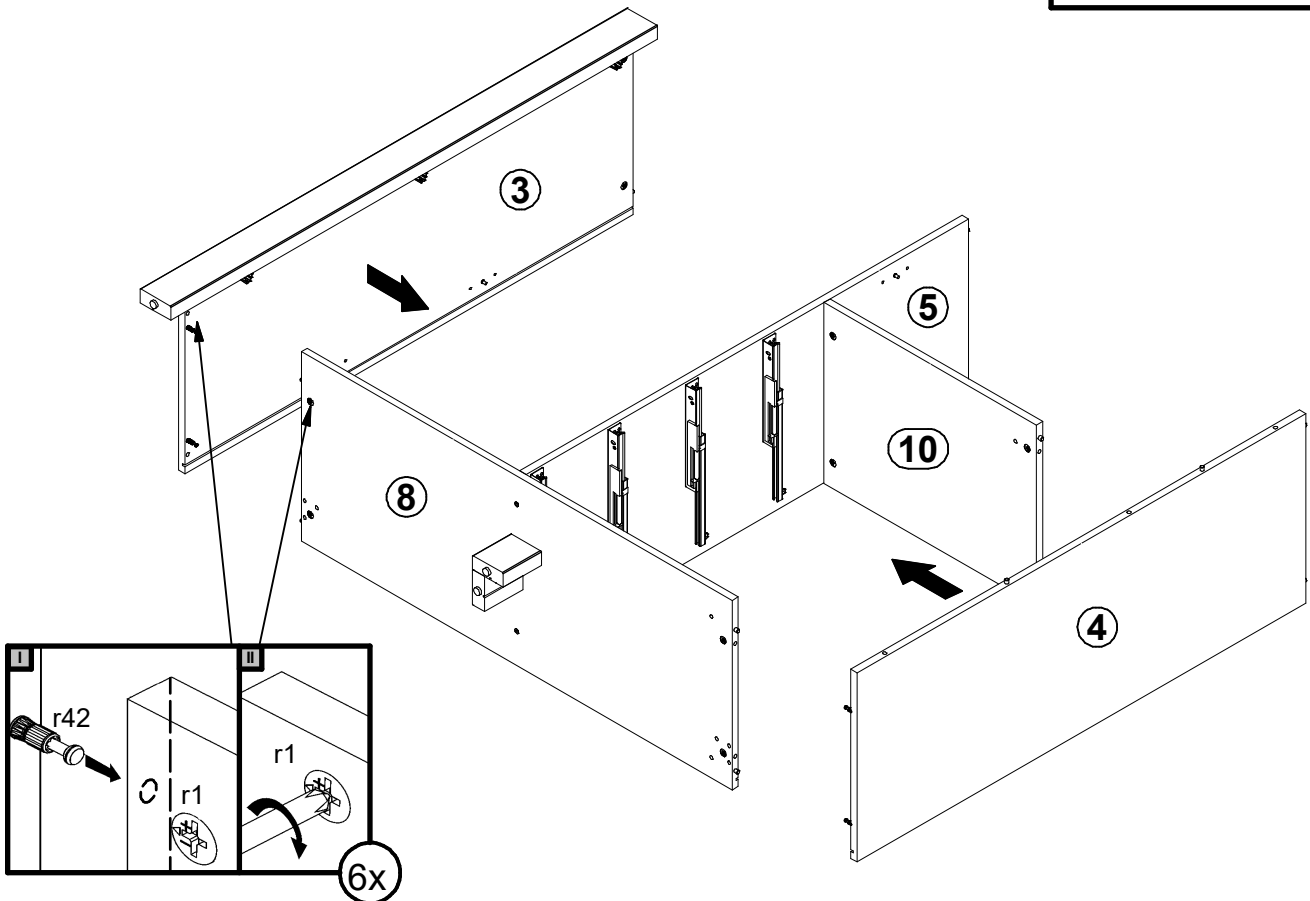
9



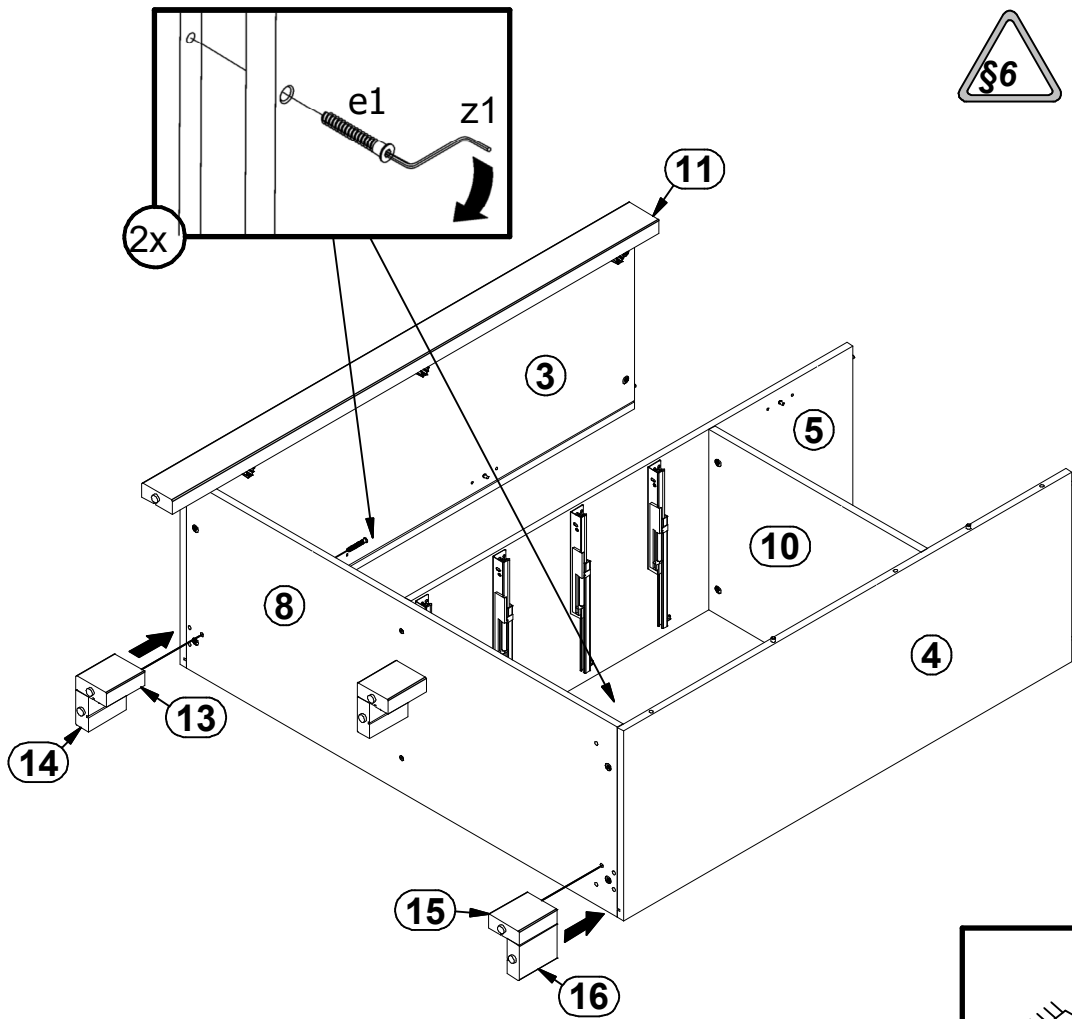
10



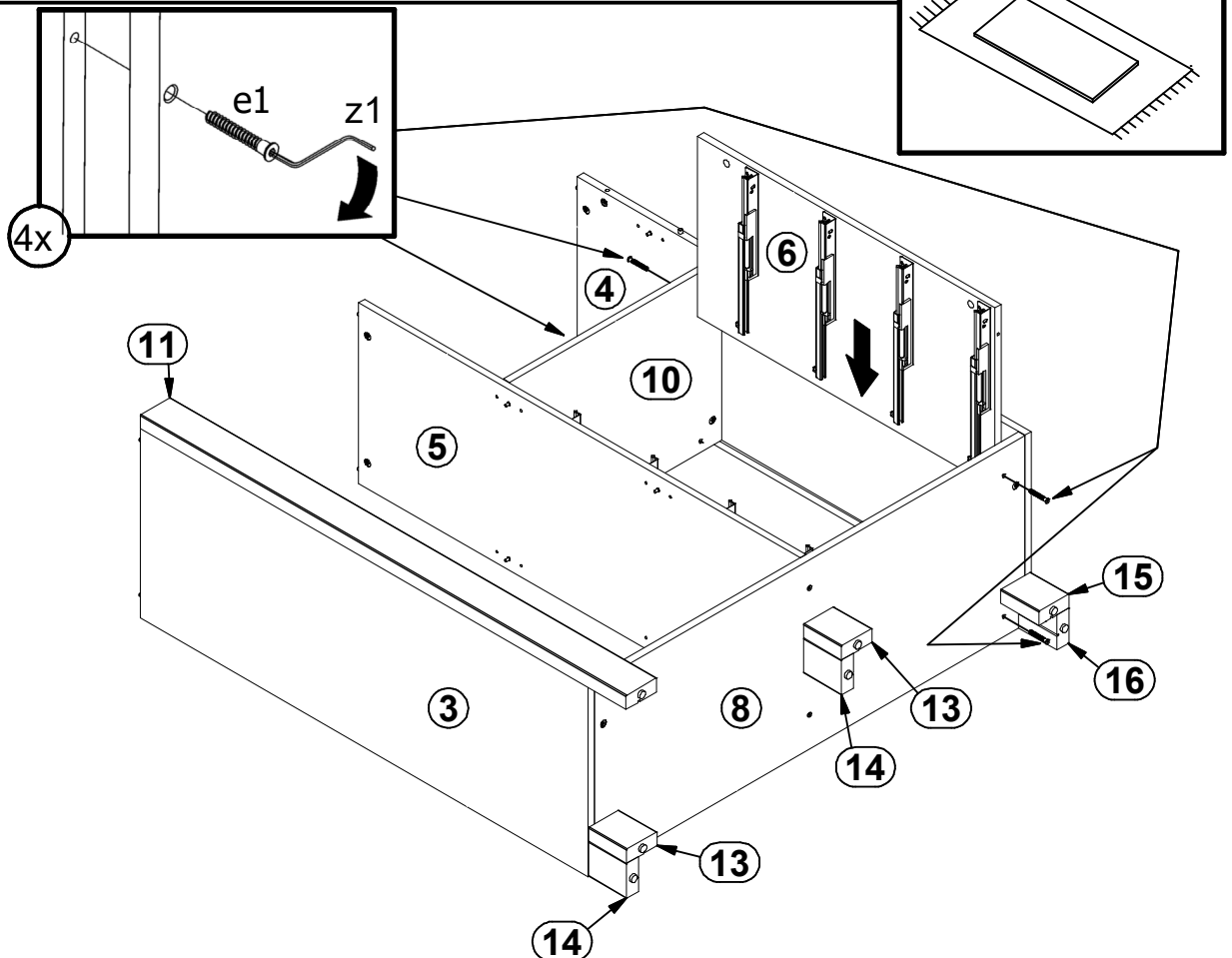
11



12

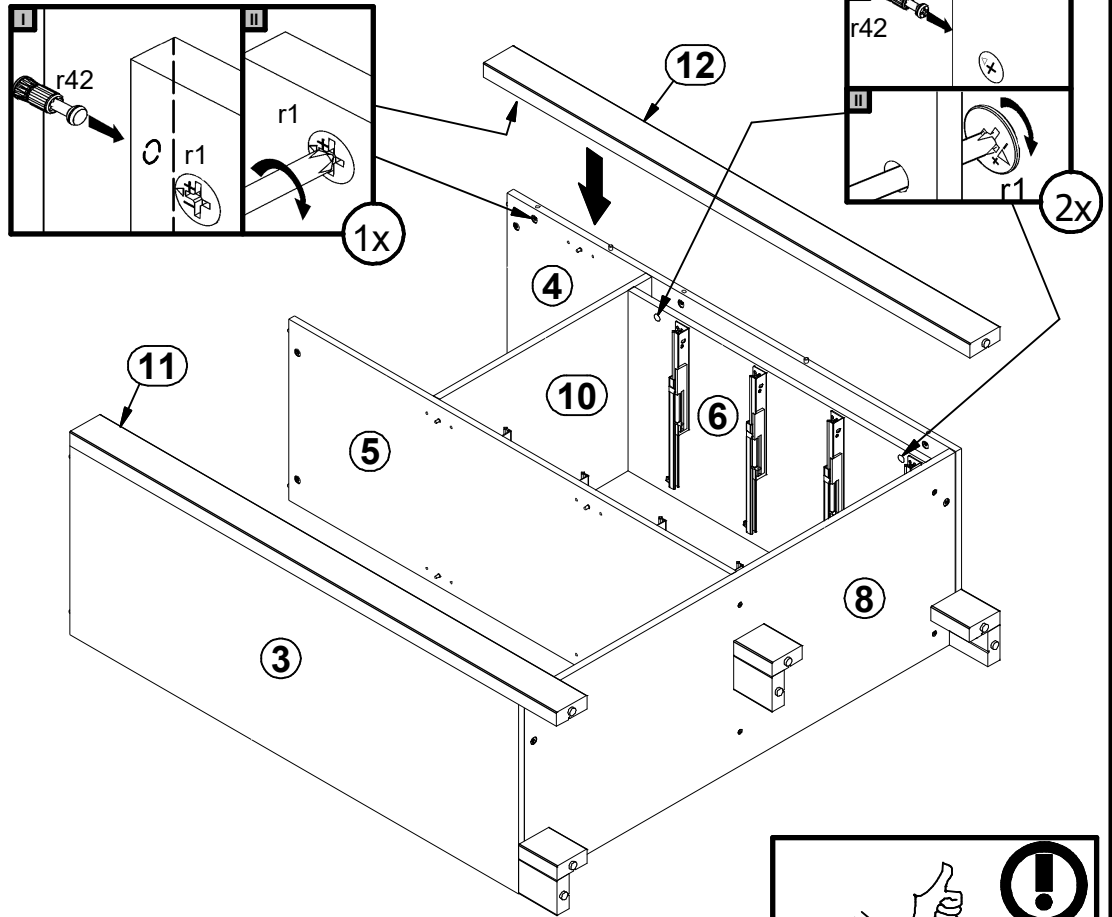


13

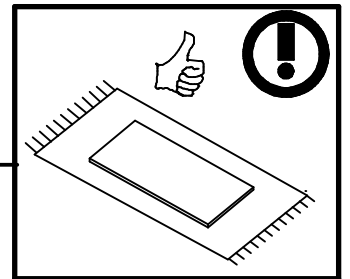
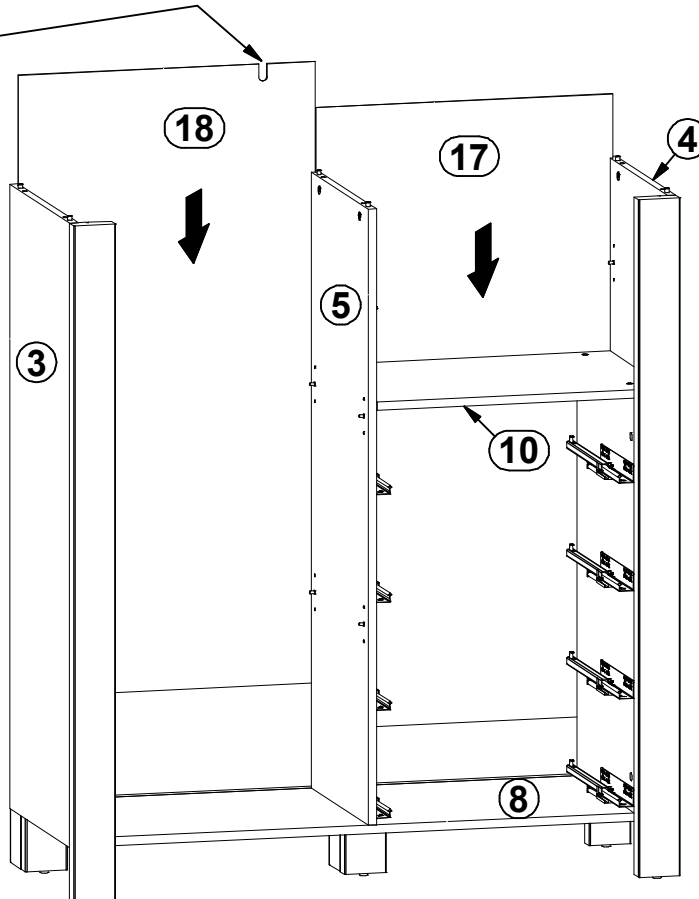




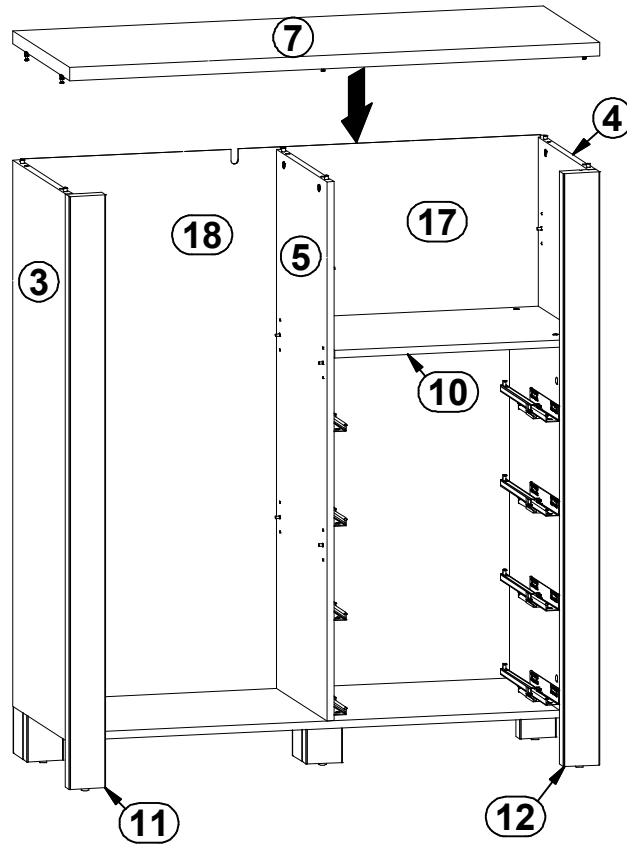
# 14



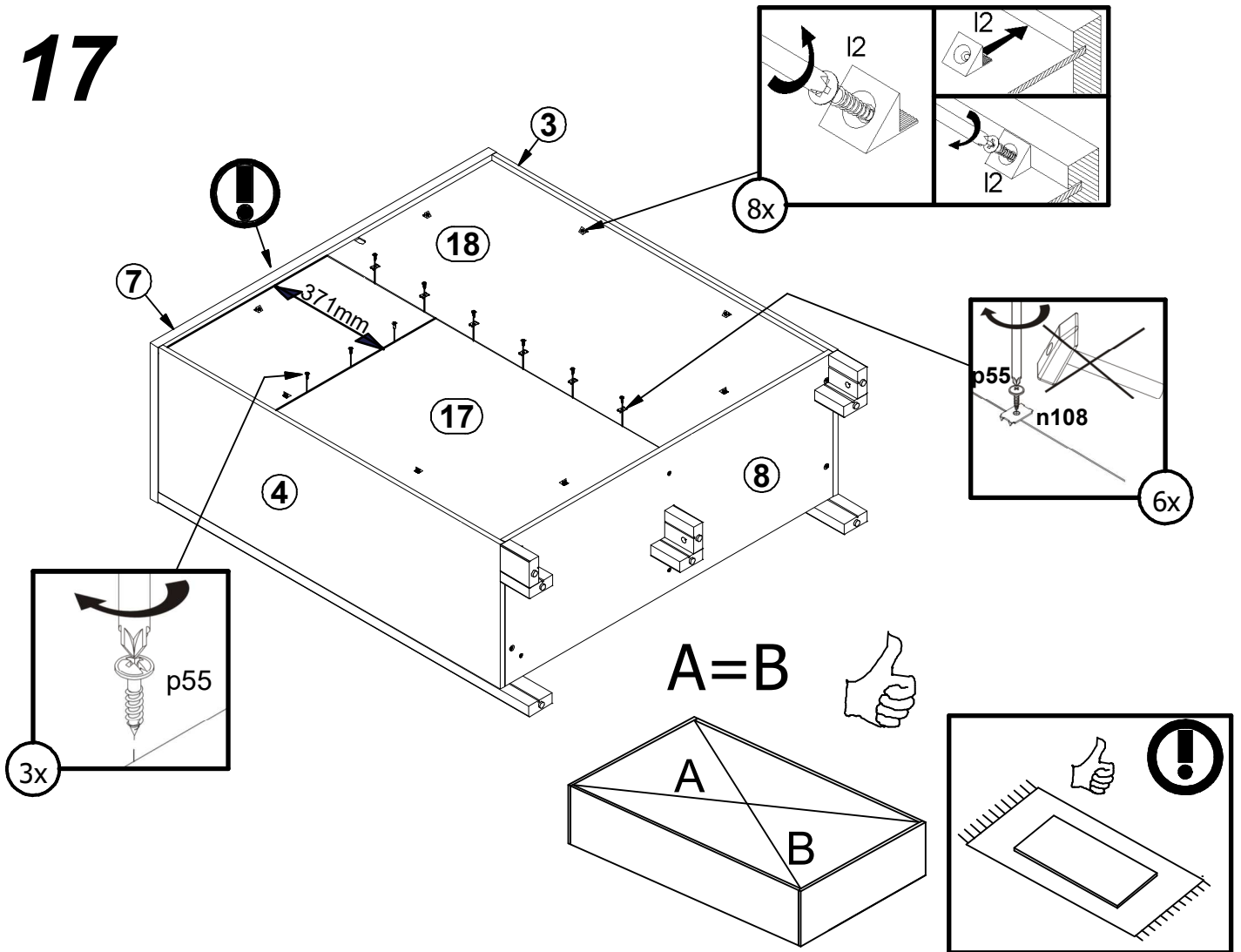
# 15



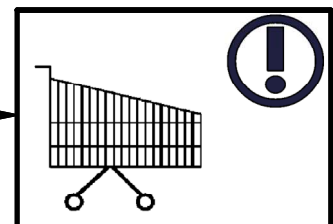
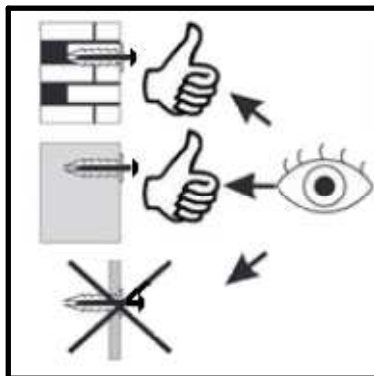
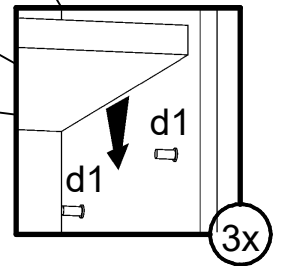
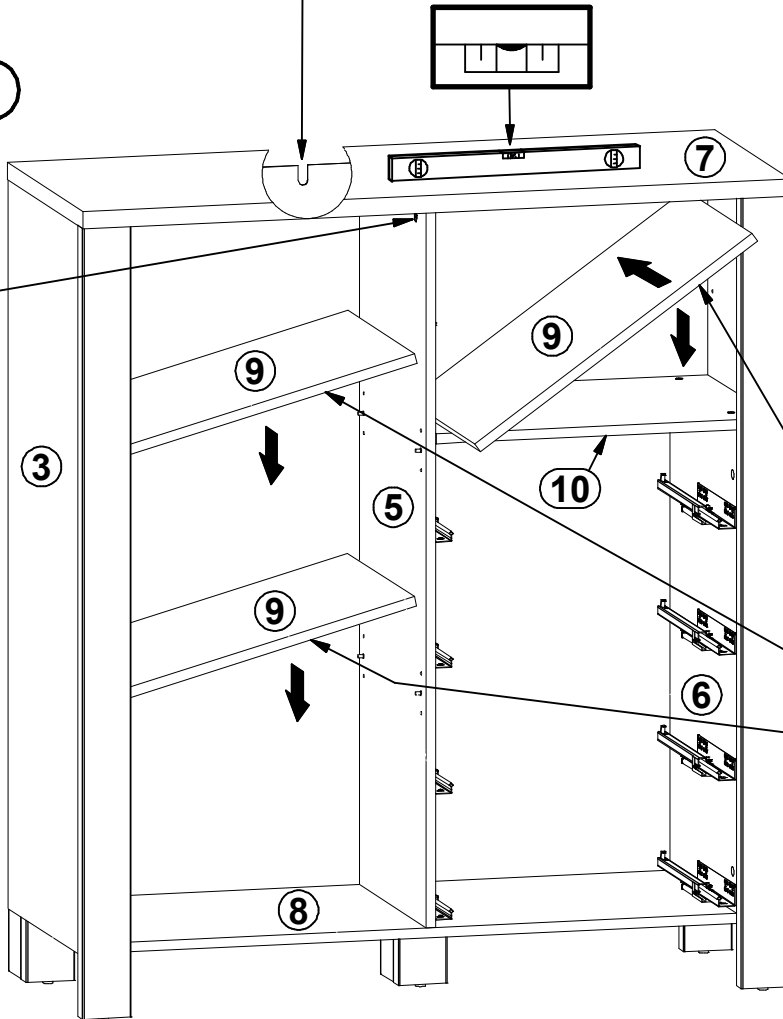
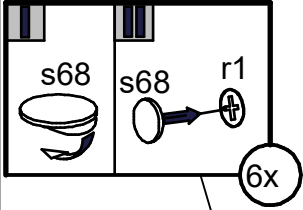
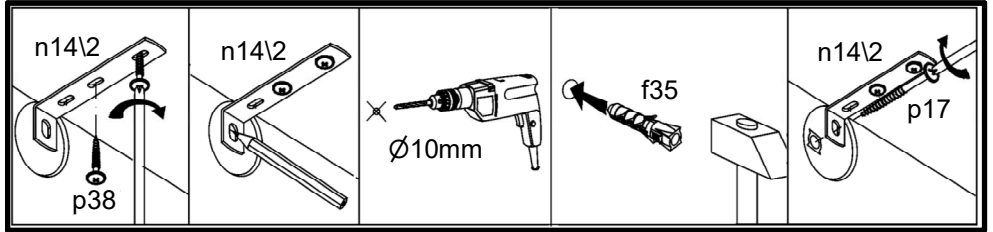
# 16



# 17



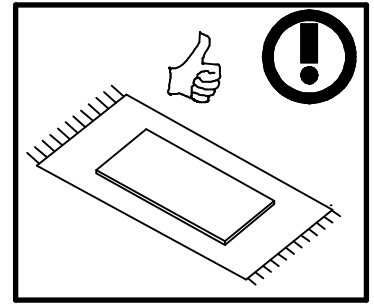
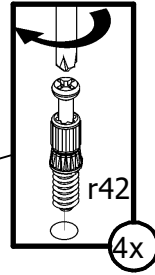
18



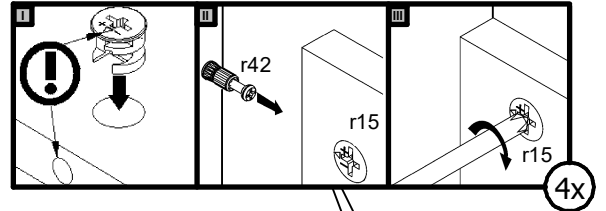
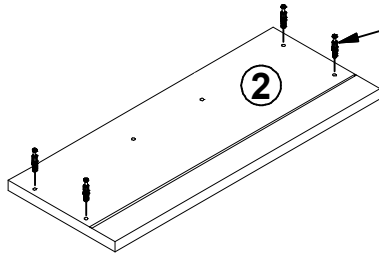
19



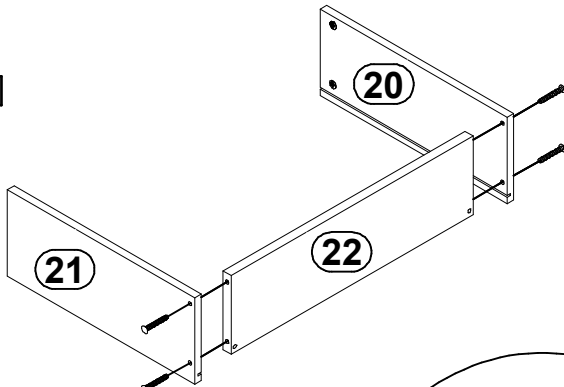
! 4x



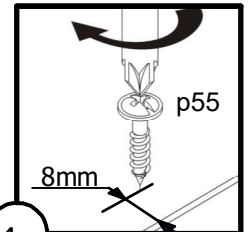
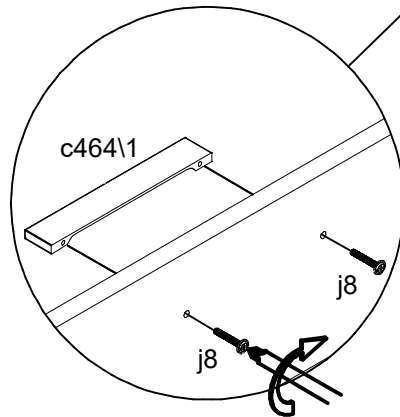
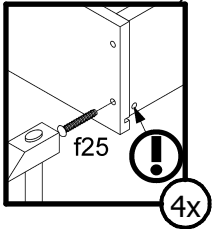
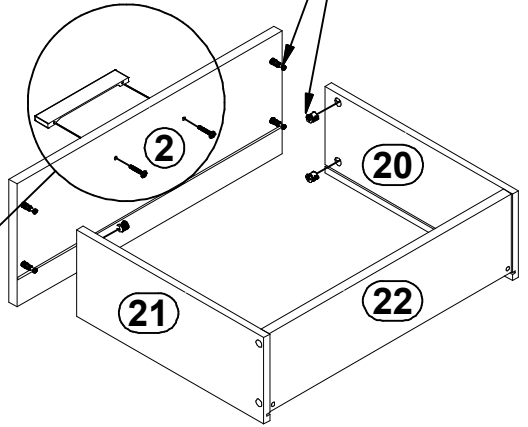
I



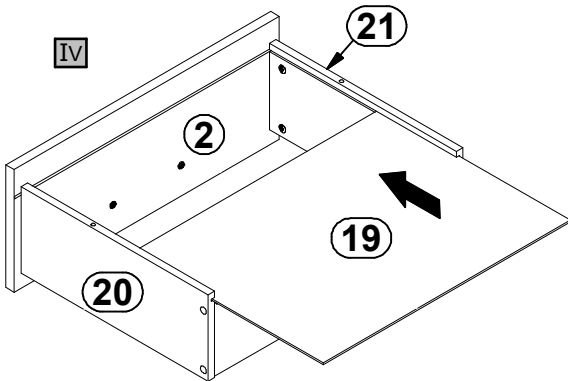
II



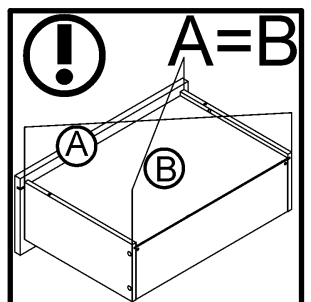
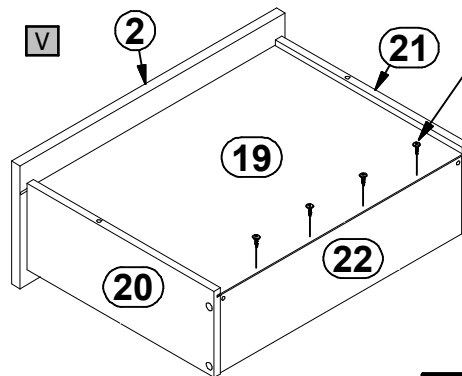
III



IV



V



20

