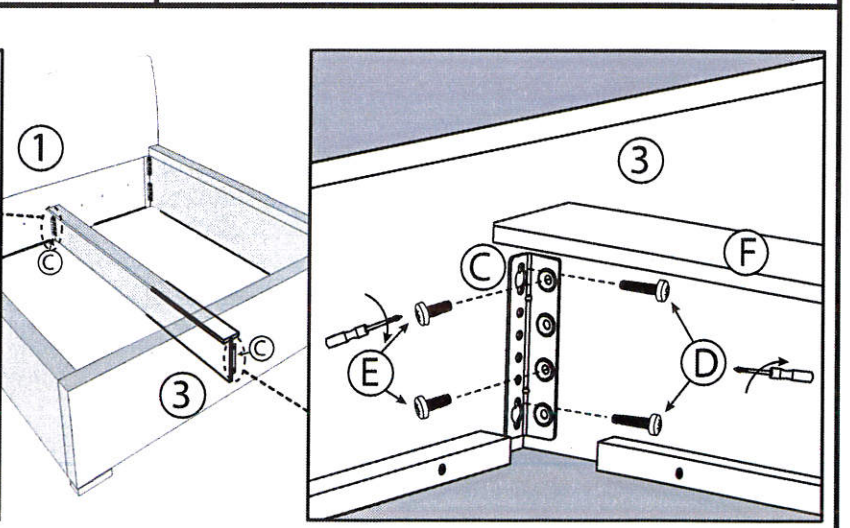
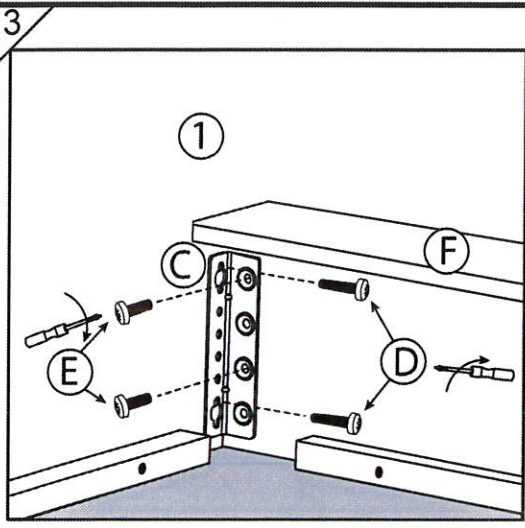
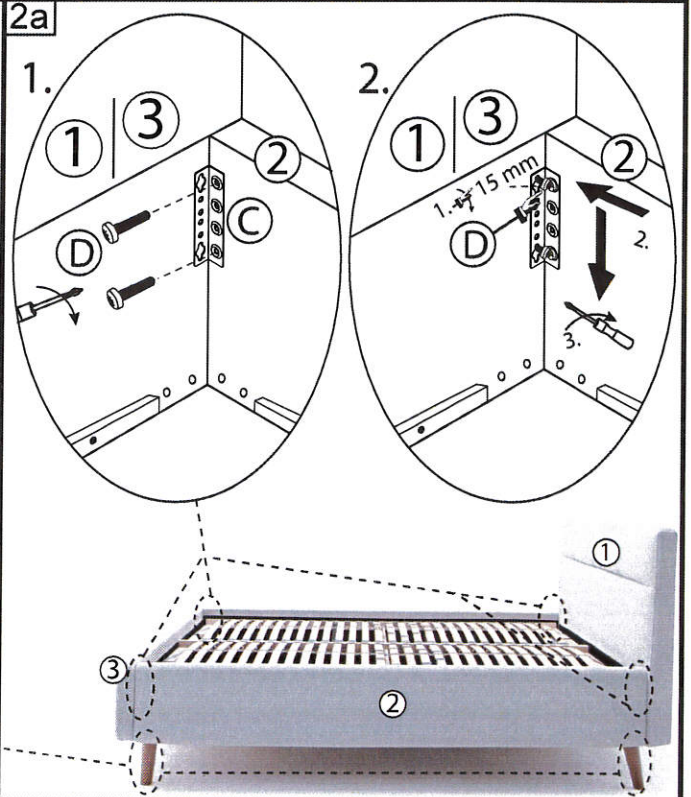
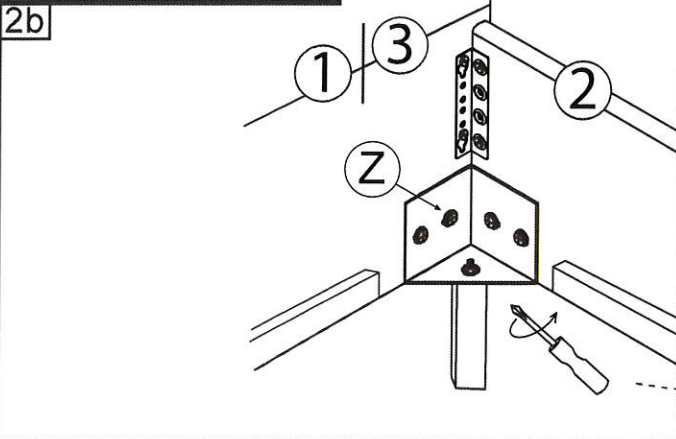
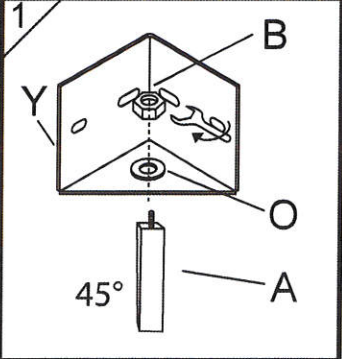


| A-85 | B-85 | C-85 | D-85 | E-85 | F-85 | G-85 | H-85 | I-85 | J-85 | K-85 | LL/LR | M-85 | N-85 |
|------|------|------|----------|-------------|----------------|------------|-----------------|-------------|---|------------|--------------|------|-------------|
| | | | | | | | | | | | | | |
| 4 | 4 | 6 | 20 | 4 | 1 | 2 | 4 | 4 | 16 | 4 | 2 / 2 | 4 | 8 |
| | | | O-85 | P-85 | Q-85 | R-85 | S-85 | T-85 | UL/UR | V-85 | W X | Y-85 | Z-85 |
| | | | | | | | | | | | | | |
| | | | M8 16 | M8*40 12 | 820*95*60 4 | 4*20 16 | 1500*40*40 2 | M6*70 10 | 160/180/200; 79/89/99*195cm 1 / 1 | M6*40 8 | M6 M6 8 8 | 4 | M8*20 16 |





LOTTE by meise

4.

2. **H** **I** **G**

3. **J** **G** **LL** **LR**

5. **kg**
 $G = <10KG / 1,77m^2$

4.

5.

1. **N** **M** **LL/LR**

1 | 3

2. **K** **O** **P** **LL/LR** **F**

2. **S** **T_{5x}**

4.