

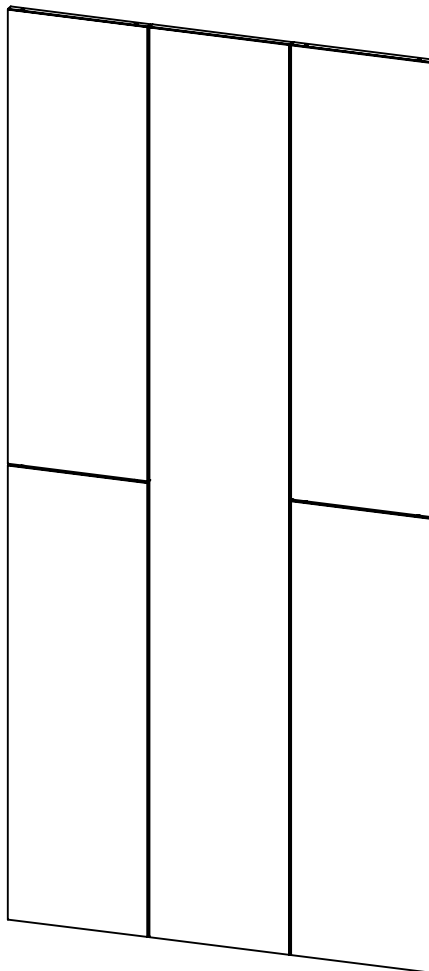
MEDIA

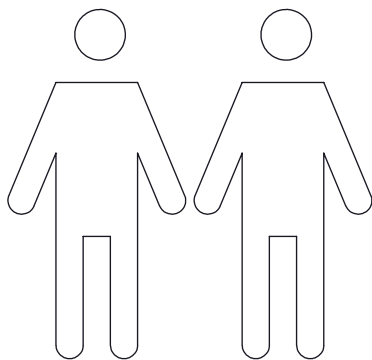
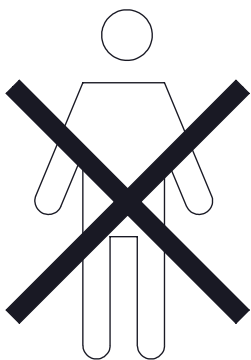
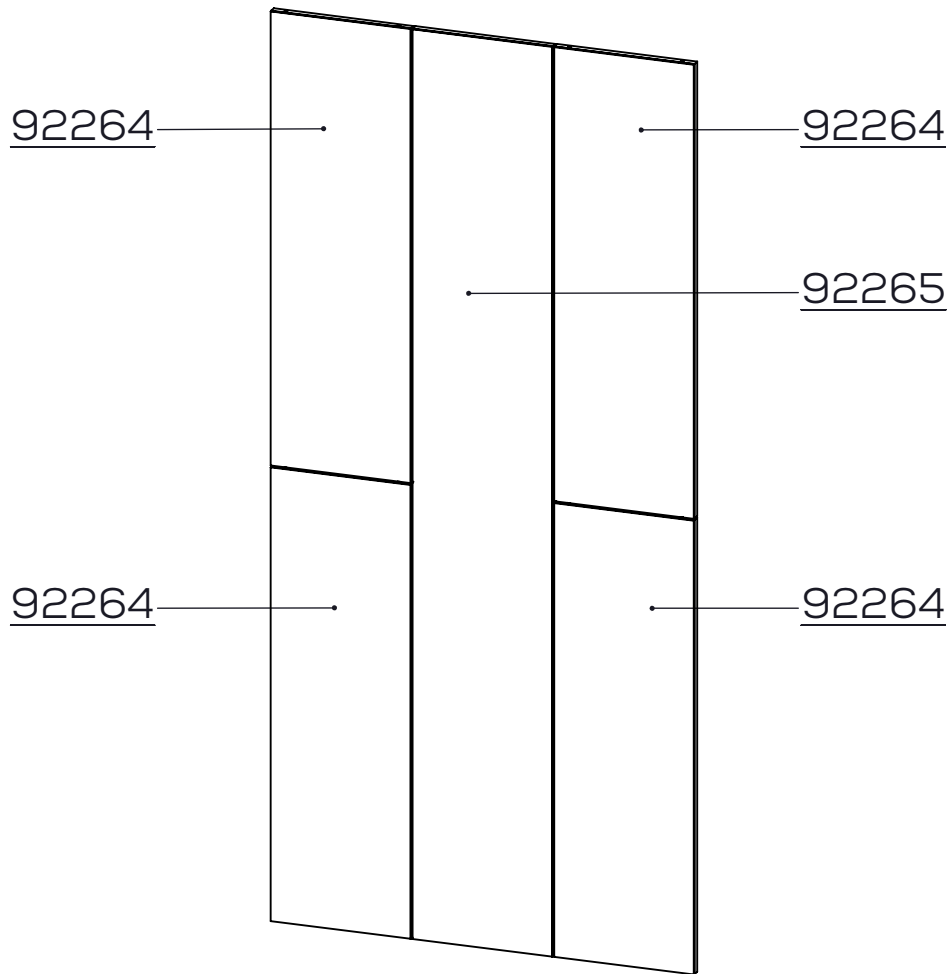
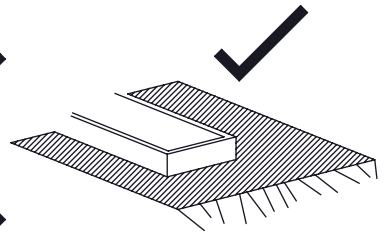
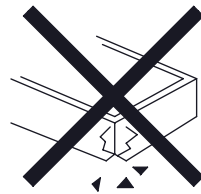
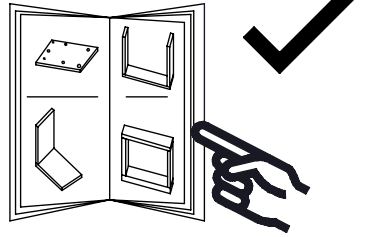
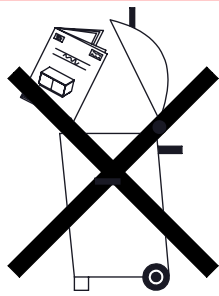
OFFICE

LIVING

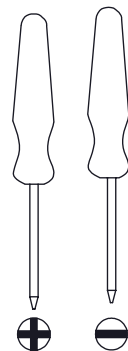
MAJA
MÖBEL

K526





45 min



10.07.2019

1

maja-moebel.de

K526

92264
4x

92265

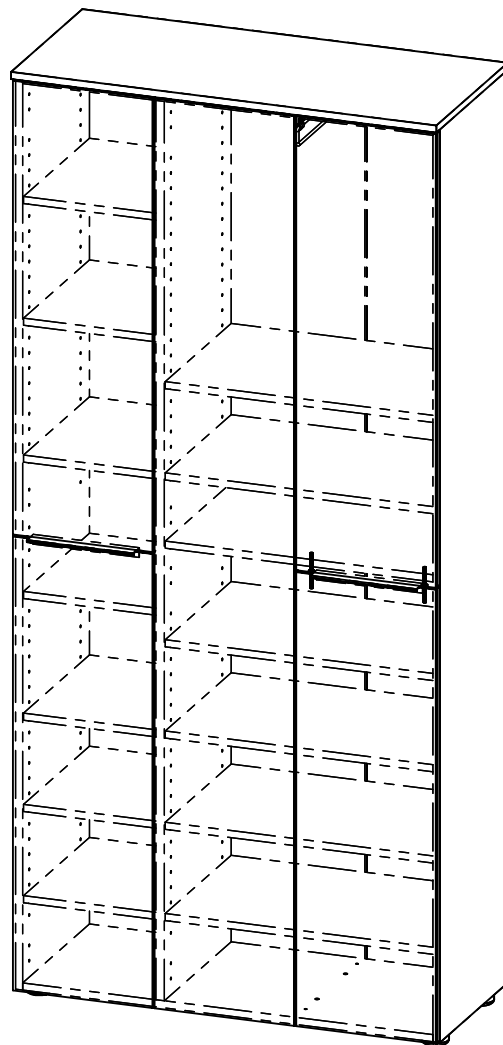
MEDIA

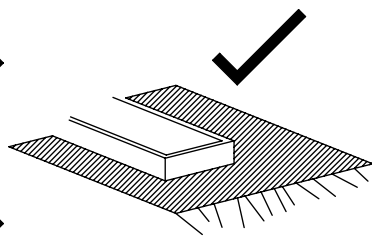
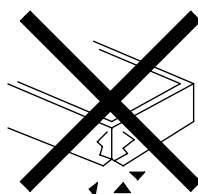
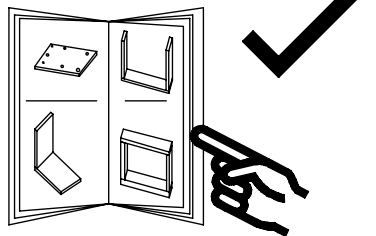
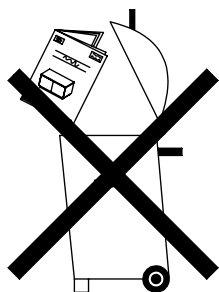
OFFICE

LIVING

MAJA
MÖBEL

K714





2571 = K547
2572 = K322

28.327

12.391

28.328

00.195

92264

07.473

00.195

92264

16.278

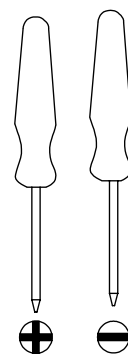
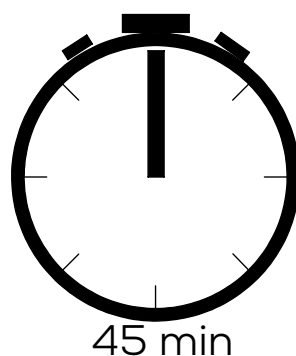
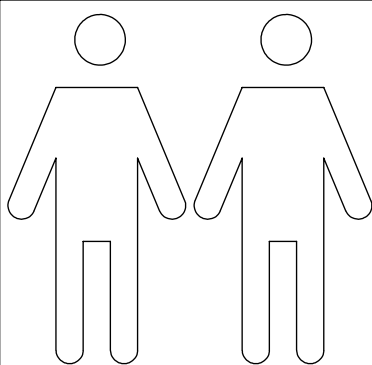
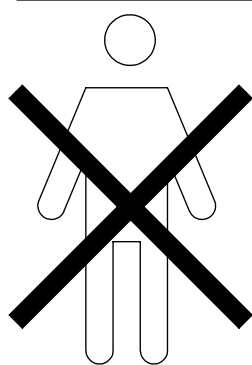
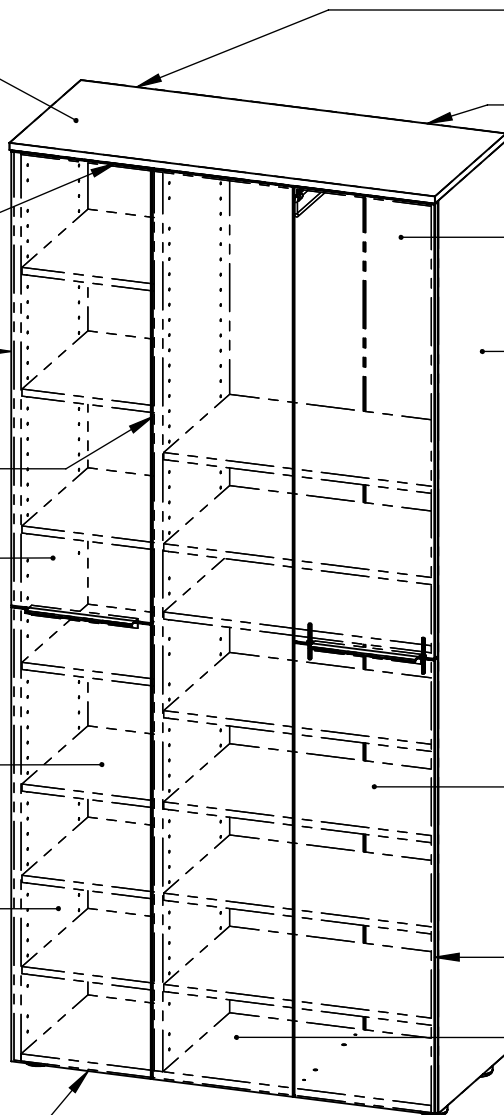
16.278

92264

92264

92265

14.445



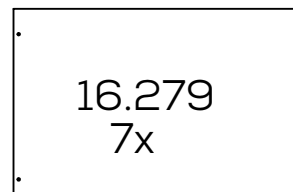
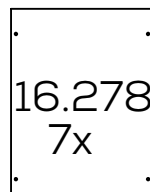
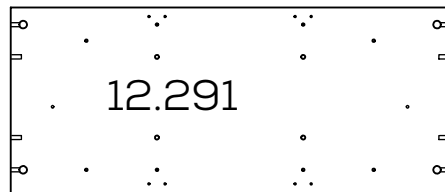
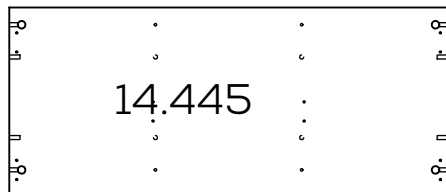
03.05.2022

1

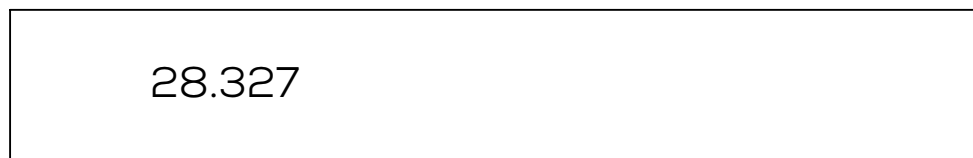
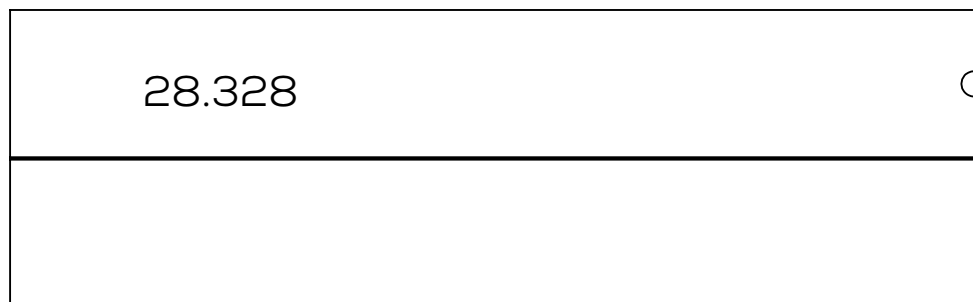
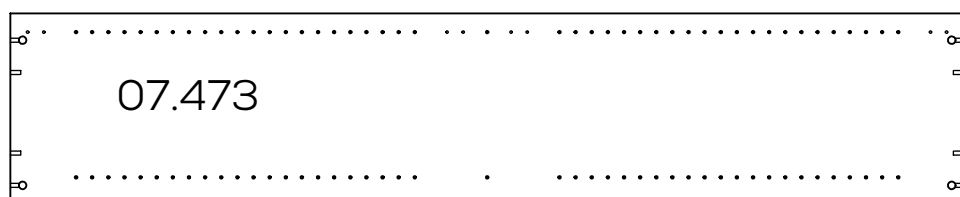
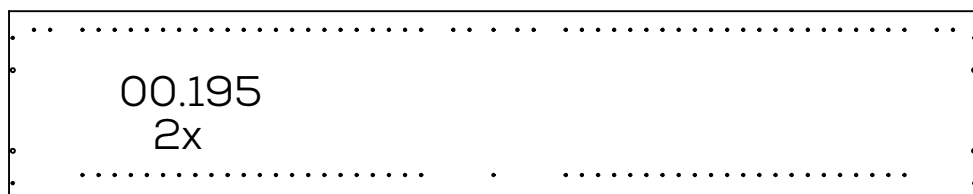
45 min

maja-moebel.de

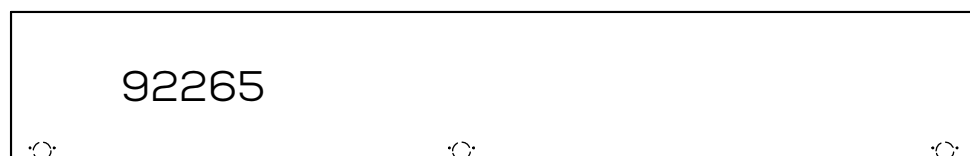
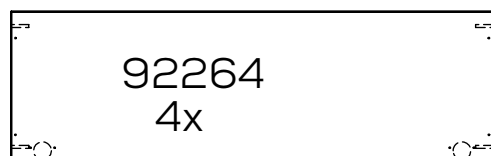
K714

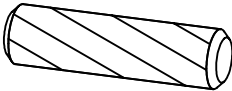

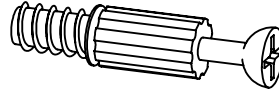
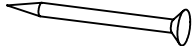
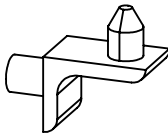
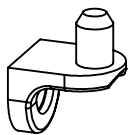




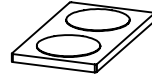



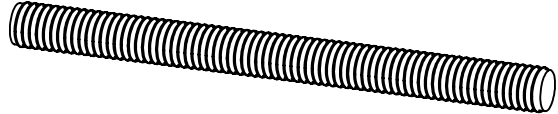
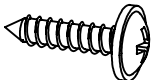


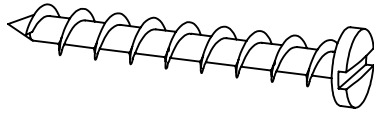
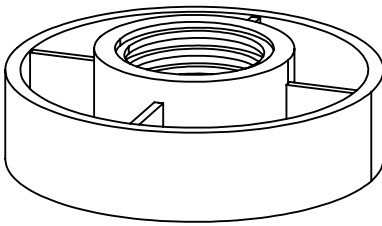
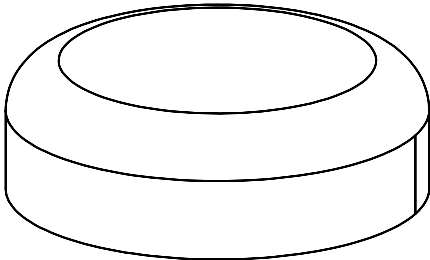


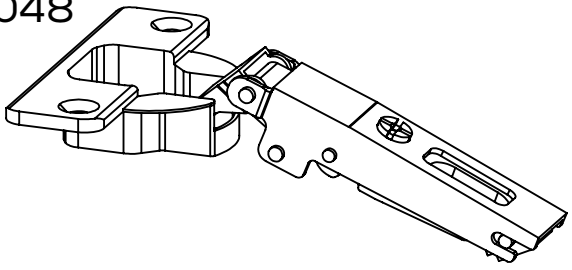
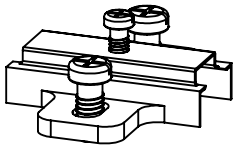
K694

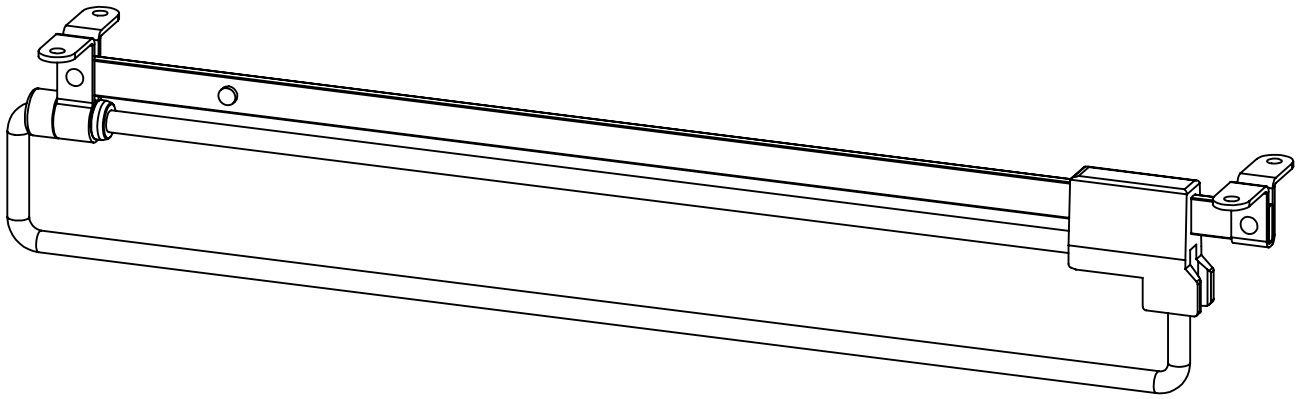


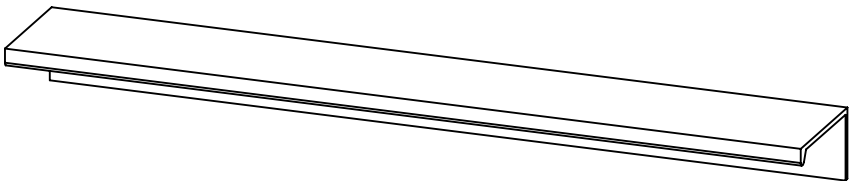
K526

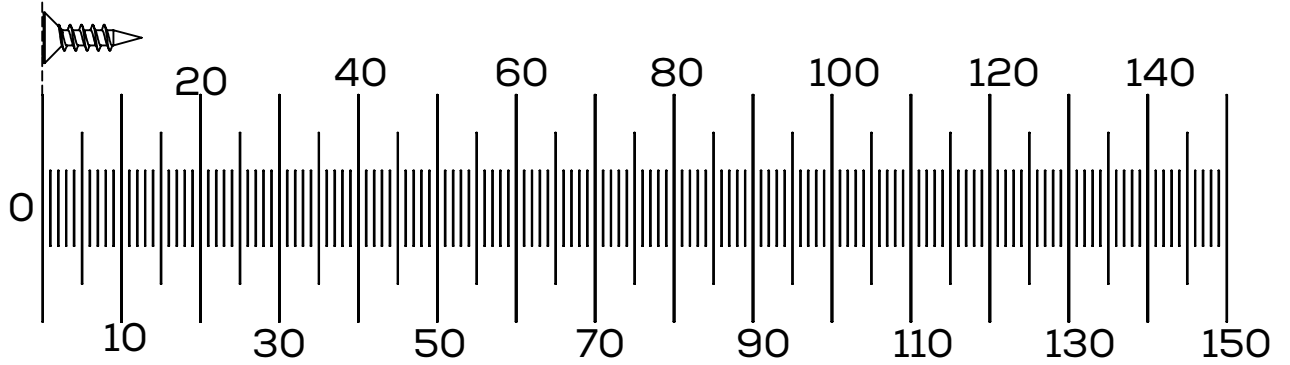
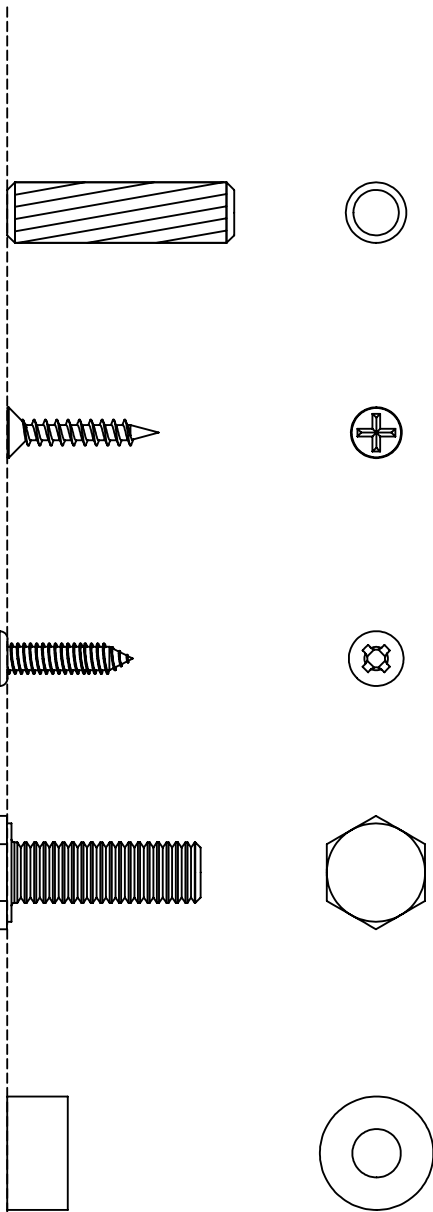


<p>E701000</p>  <p>12x</p>	<p>E701153</p>  <p>12x</p>	<p>E701231</p>  <p>12x</p>	<p>E700905</p>  <p>30x</p>
<p>E702016</p>  <p>48x</p>	<p>E702018</p>  <p>8x</p>	<p>E700150</p>  <p>8x Ø 6,2 x 10mm</p>	<p>E700000</p>  <p>10x Ø 4,0 x 15mm</p>
<p>E700020</p>  <p>26x Ø 3,5 x 13mm</p>	<p>E700713</p>  <p>4x Ø 12 mm</p>	<p>E706300</p>  <p>3x</p>	<p>E706327</p>  <p>6x Ø 20 mm</p>
<p>E700000</p>  <p>4x Ø 4,0 x 25mm</p>	<p>E701017</p>  <p>2x</p>	<p>E700593</p>  <p>4x M 6 x 70mm</p>	
<p>E700060</p>  <p>8x Ø 3,5 x 17mm</p>	<p>E709299</p>    <p>1x</p>		
<p>E704476</p>   <p>5x</p>			

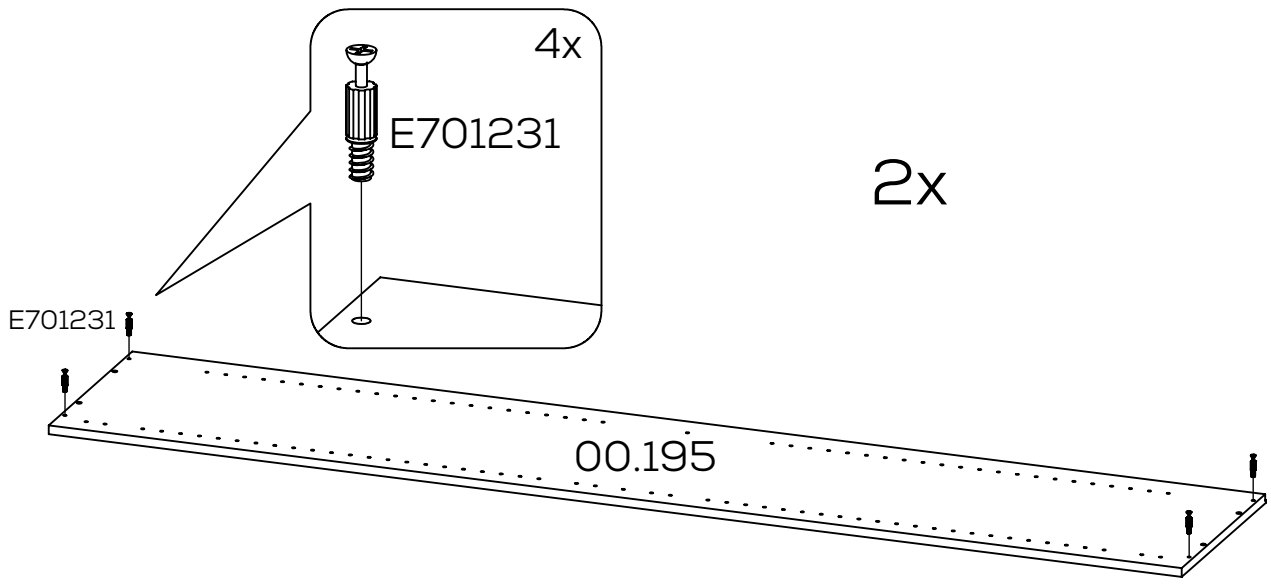
<p>E705048</p>  <p>11x</p>	<p>E705071</p>  <p>11x</p>
---	---

<p>E709326</p>  <p>1x 360mm</p>

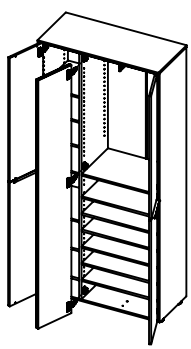
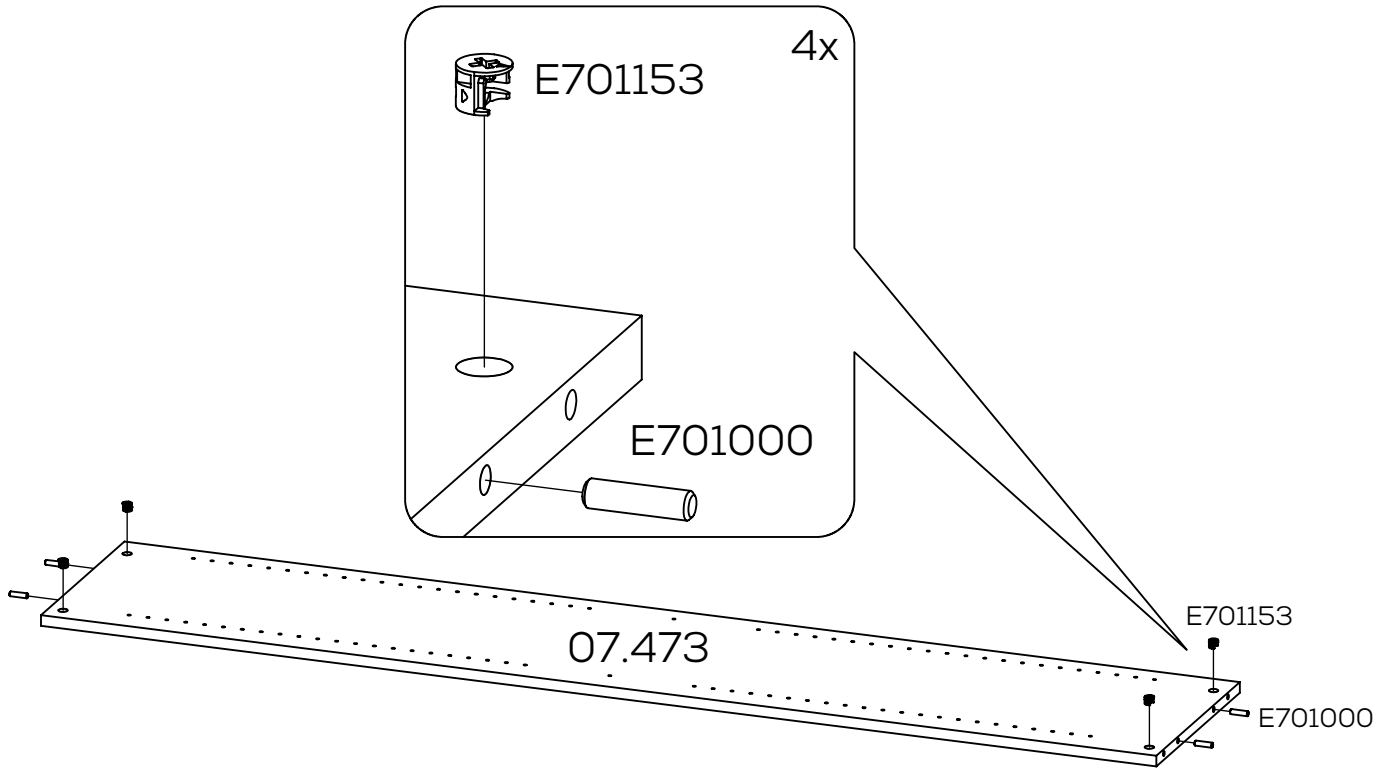
<p>E710390</p>  <p>2x 225 mm</p>
--



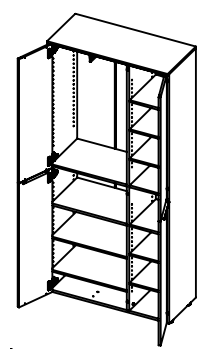
1



2

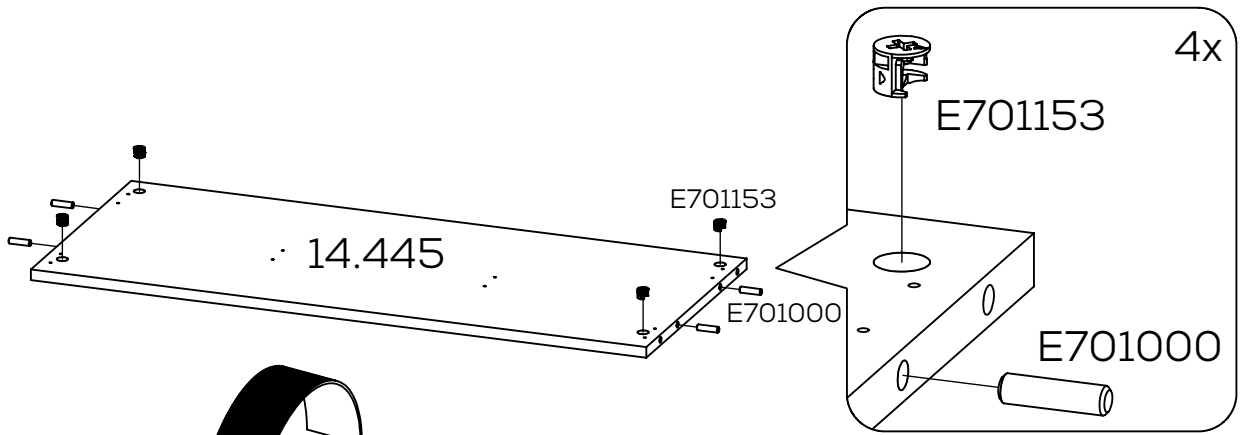
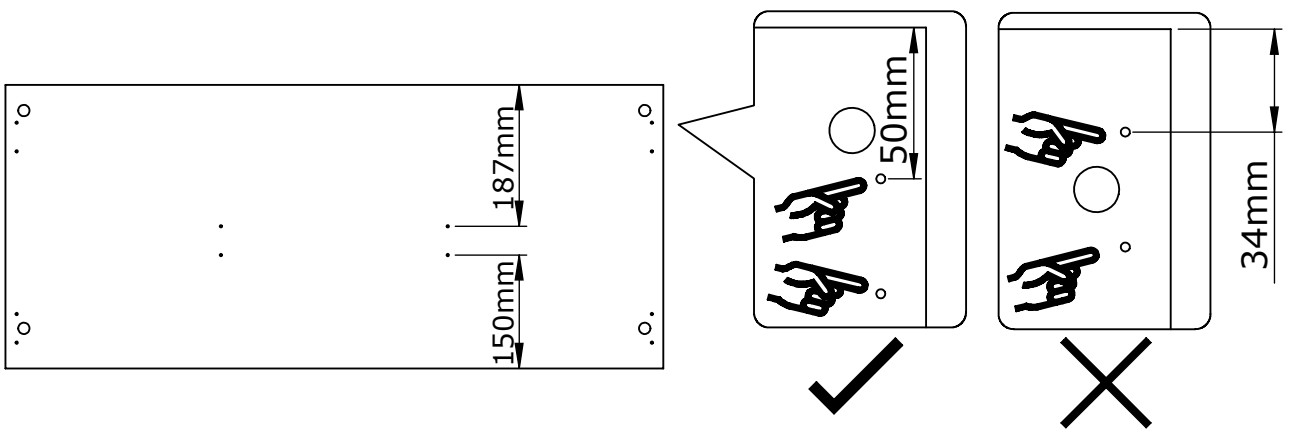


➔ Step 3

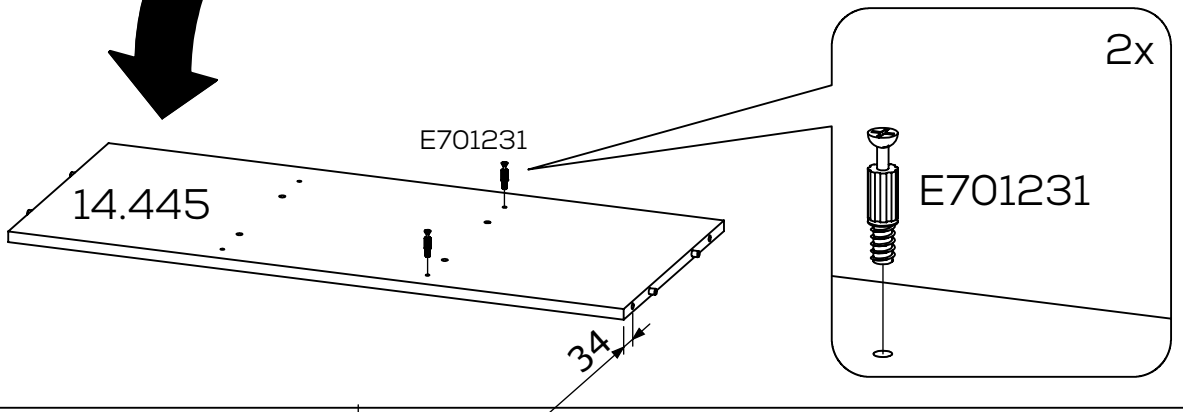


➔ Step 24

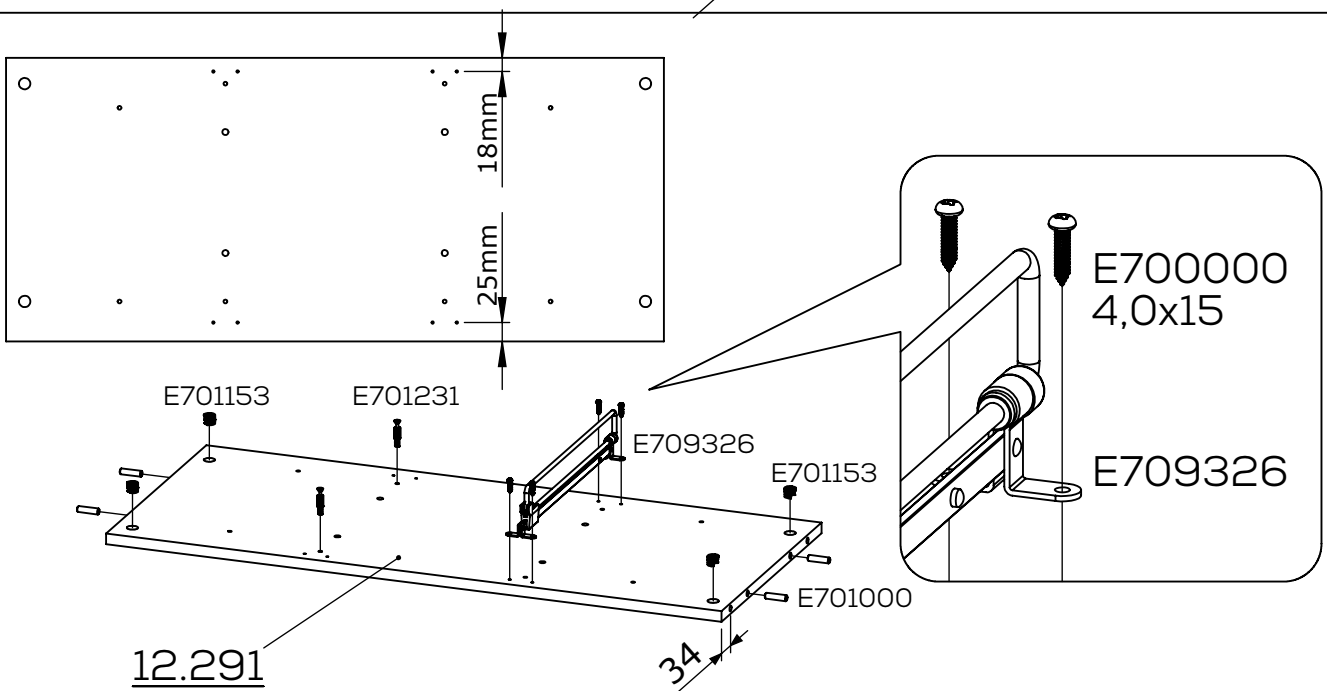
3



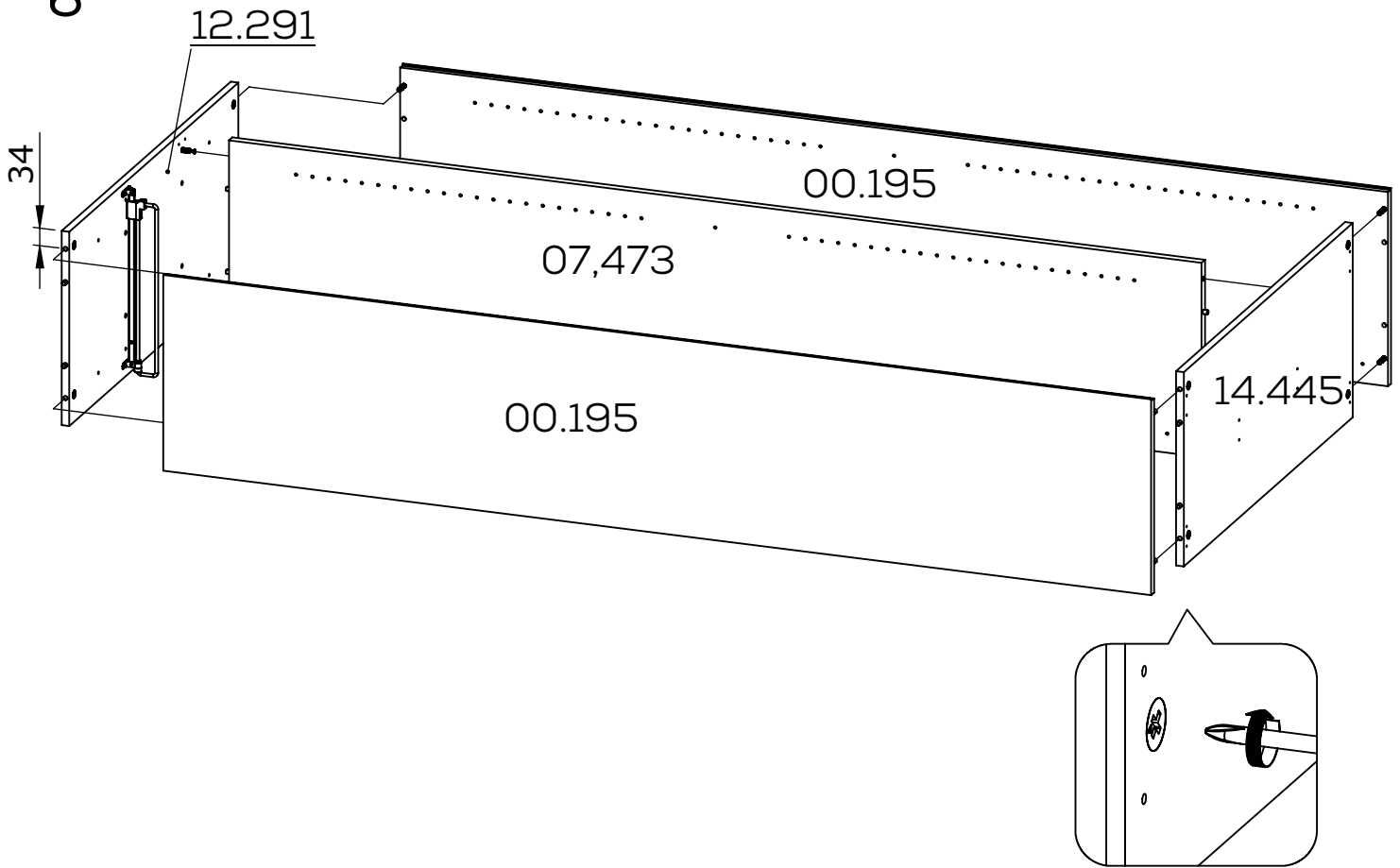
4



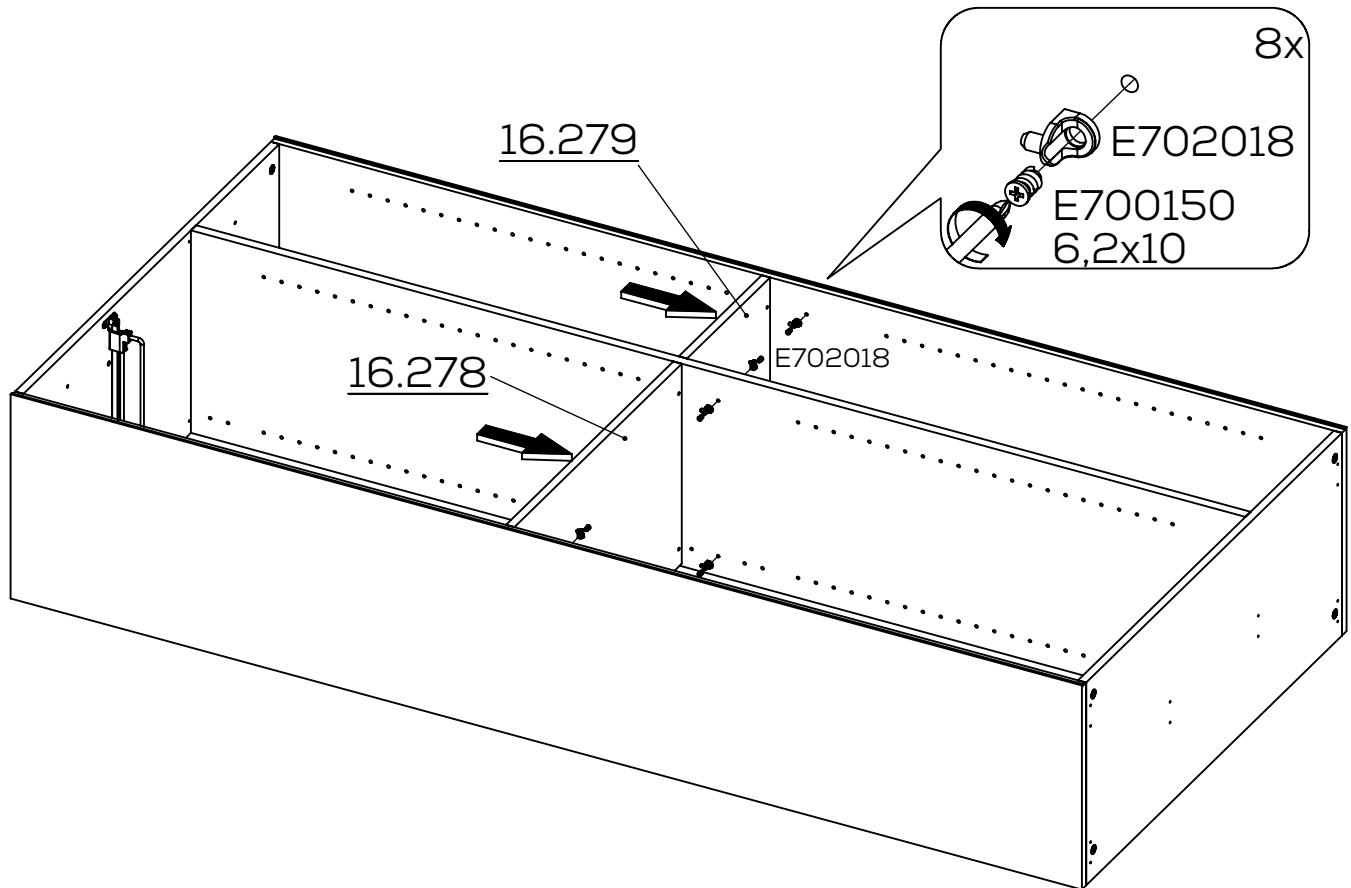
5



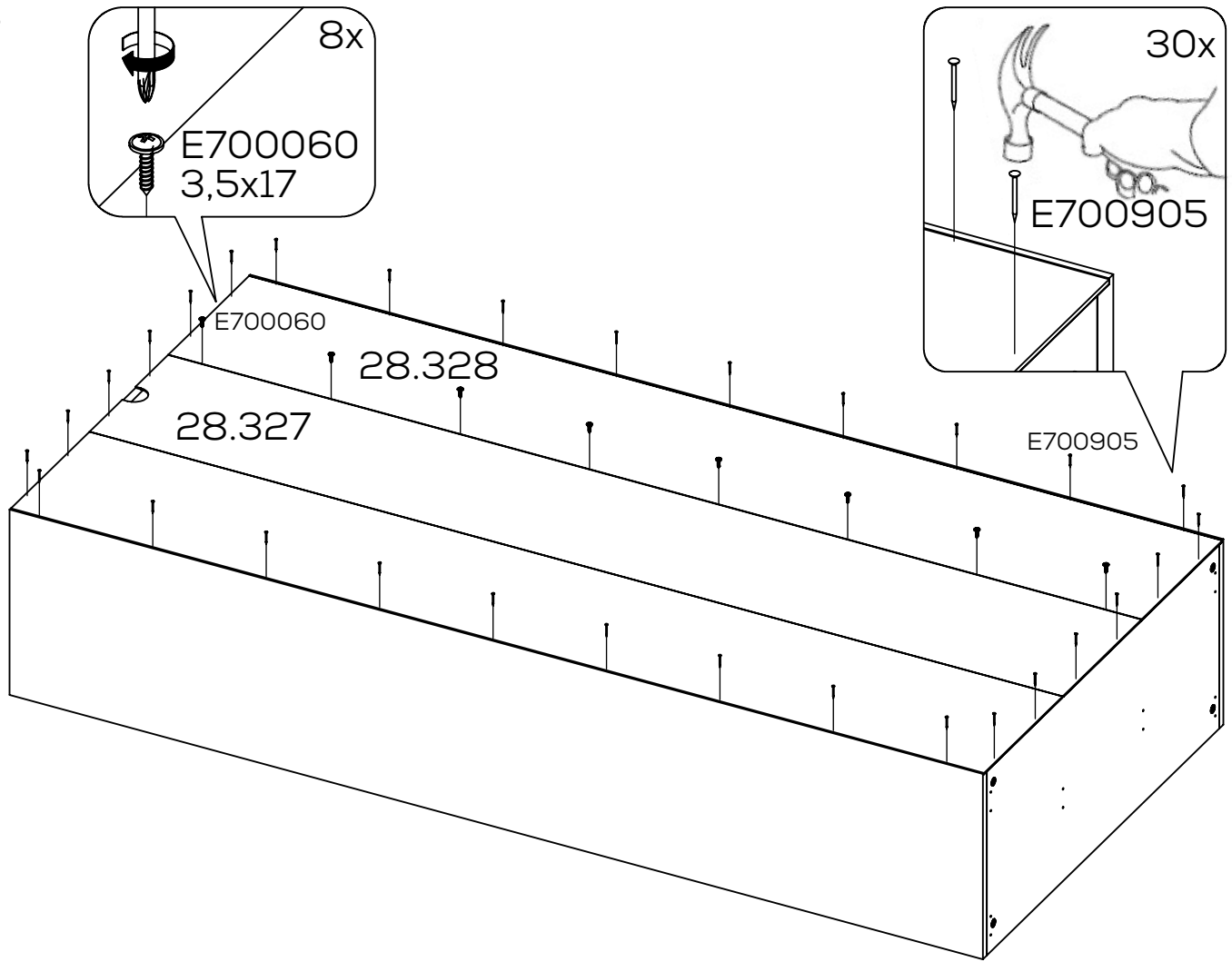
6



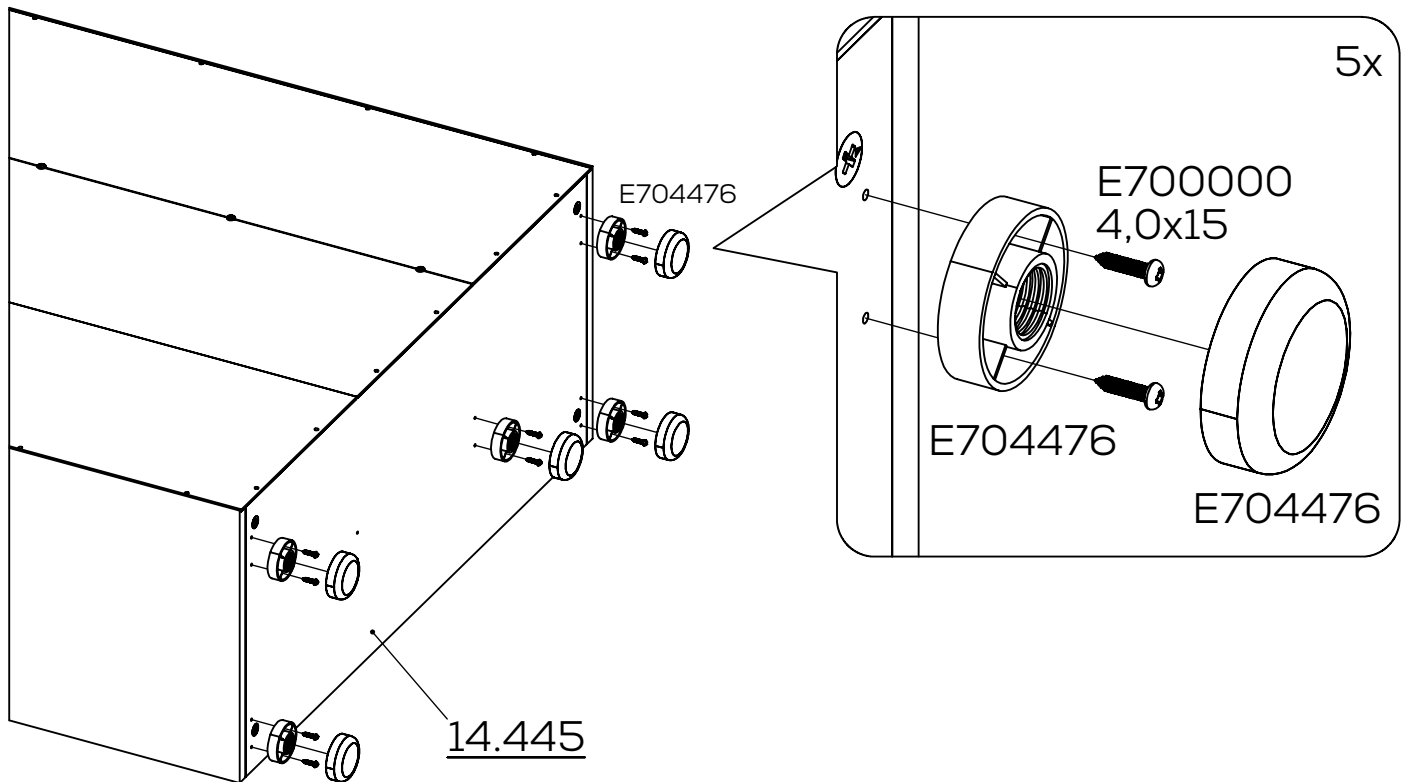
7



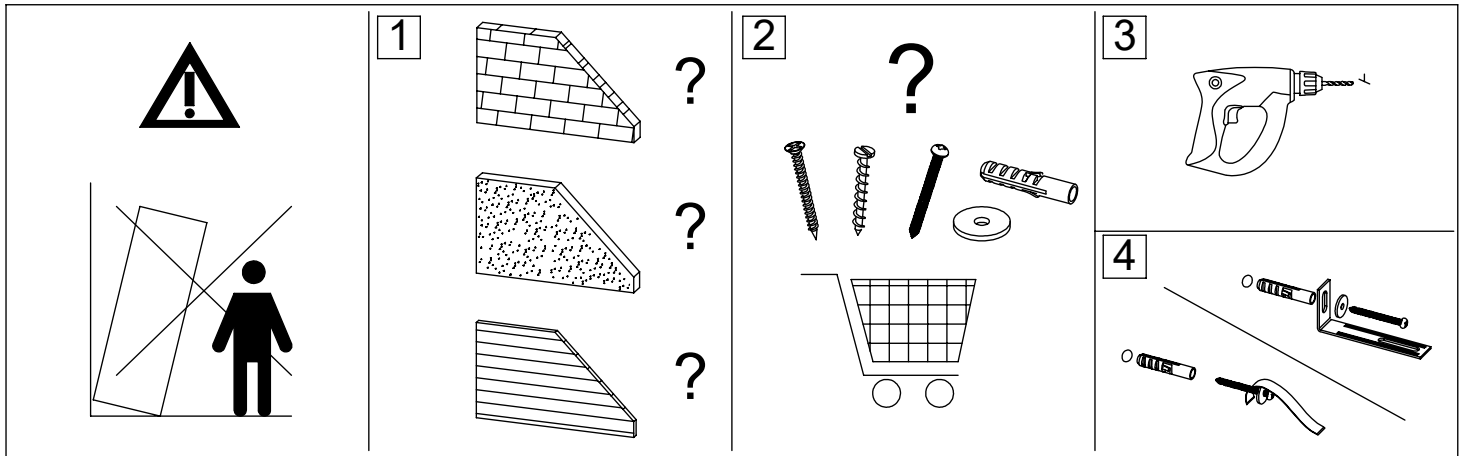
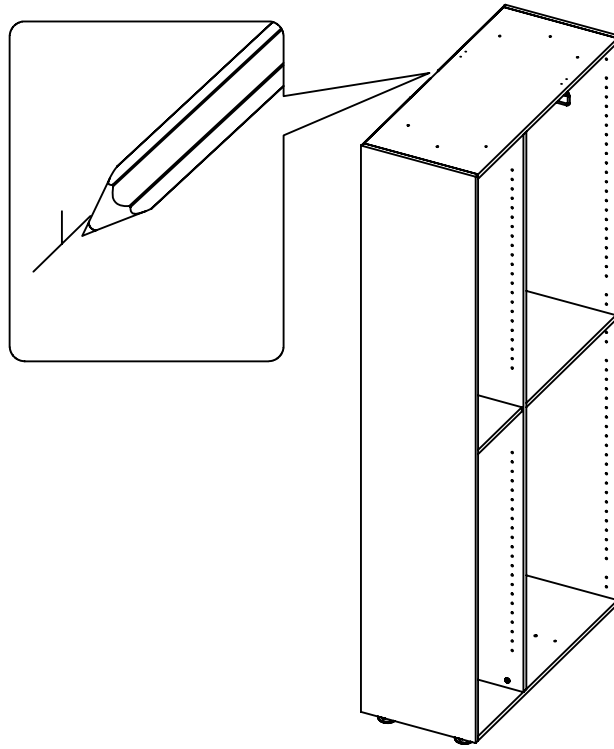
8



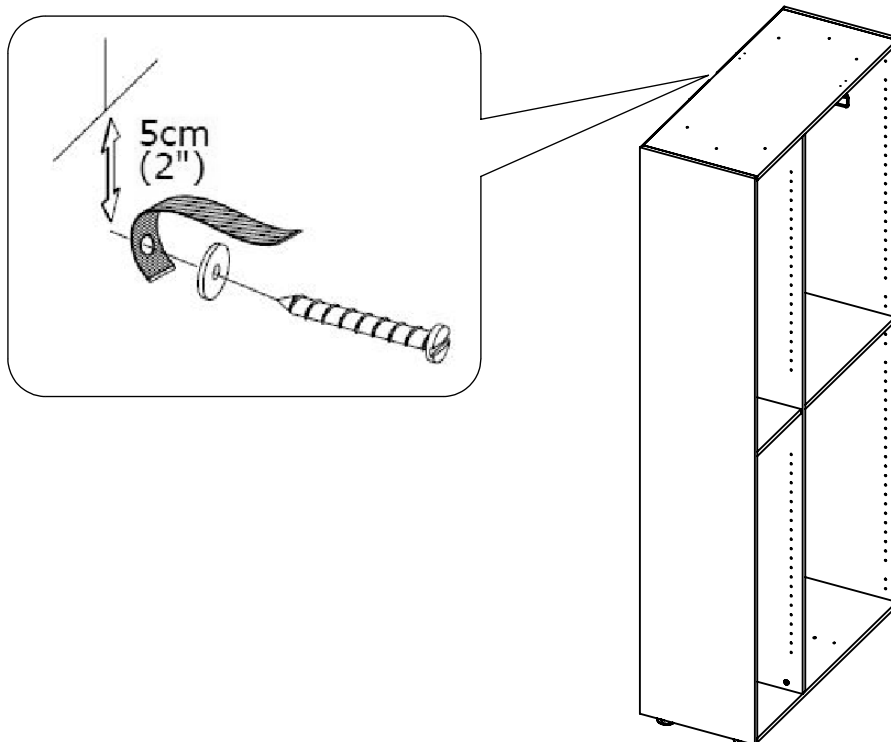
9



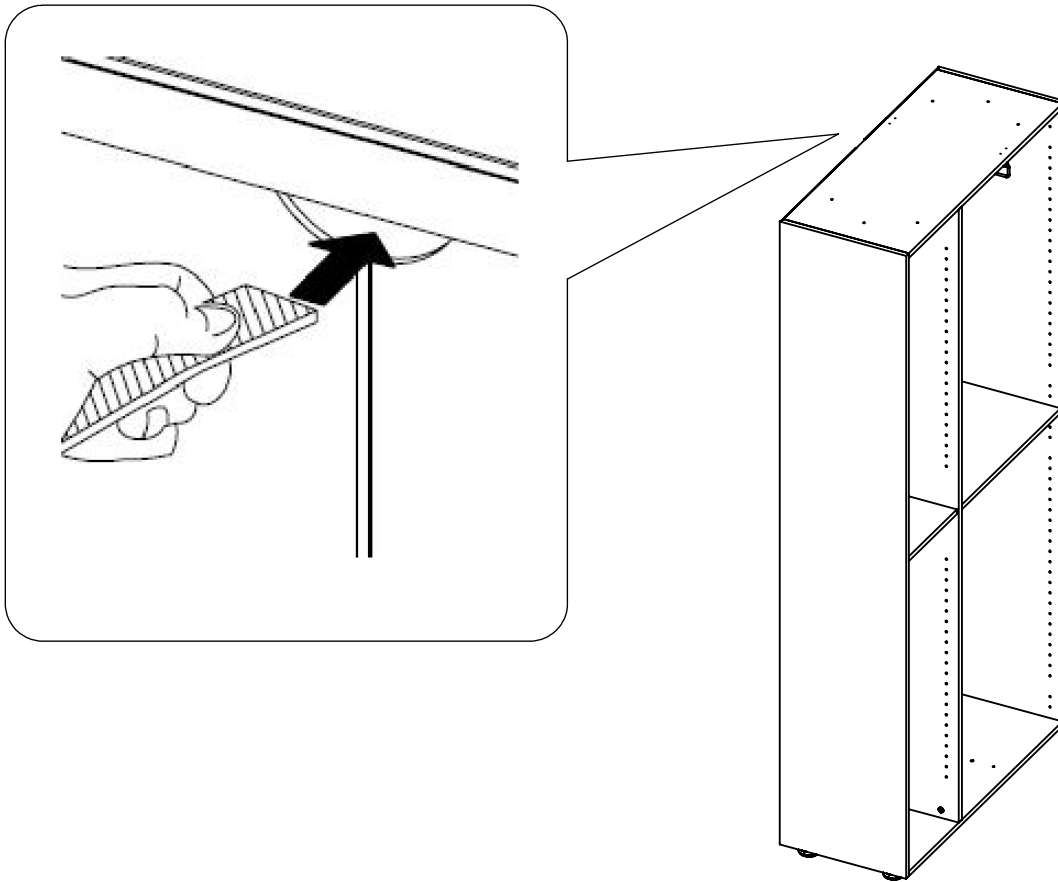
10



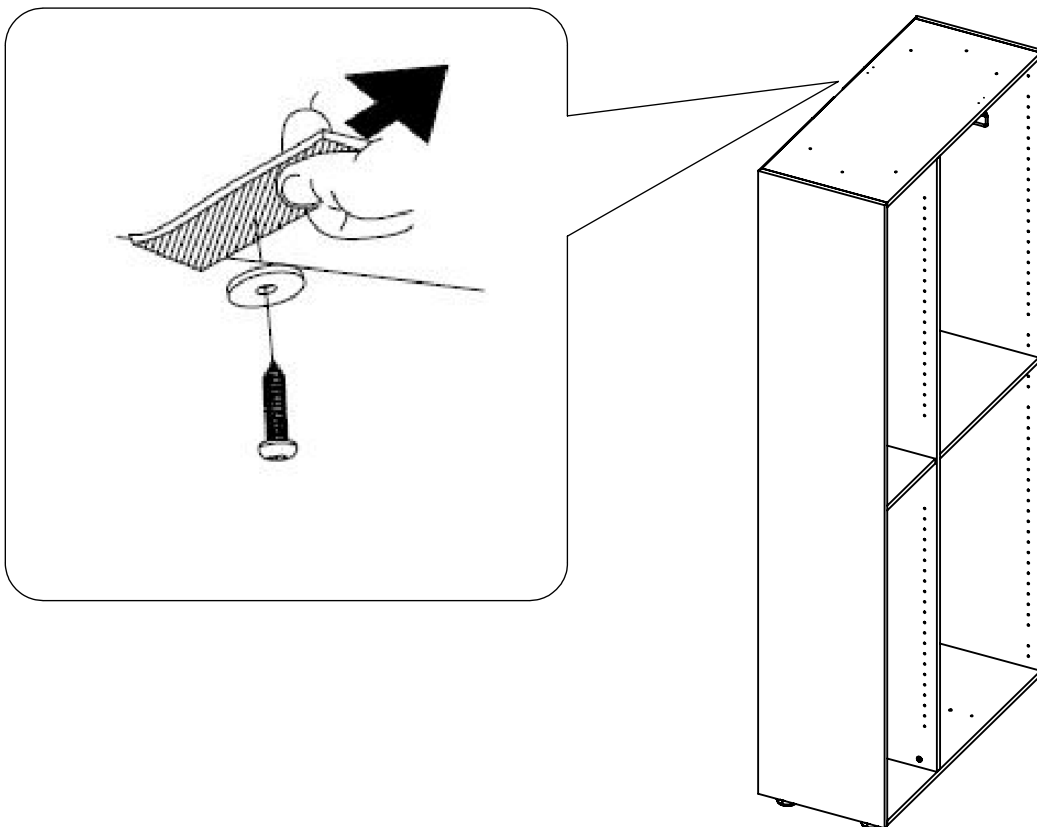
11

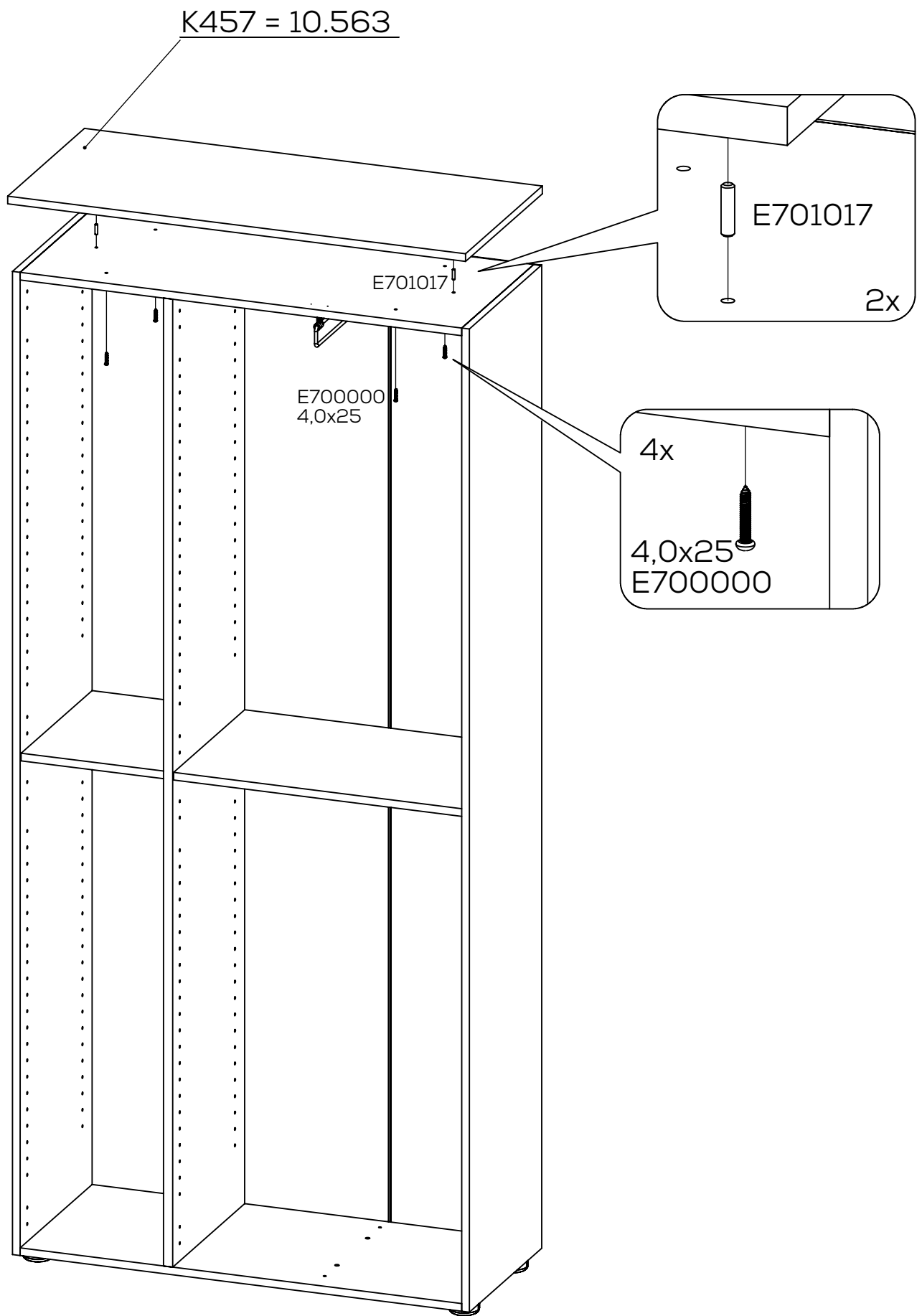


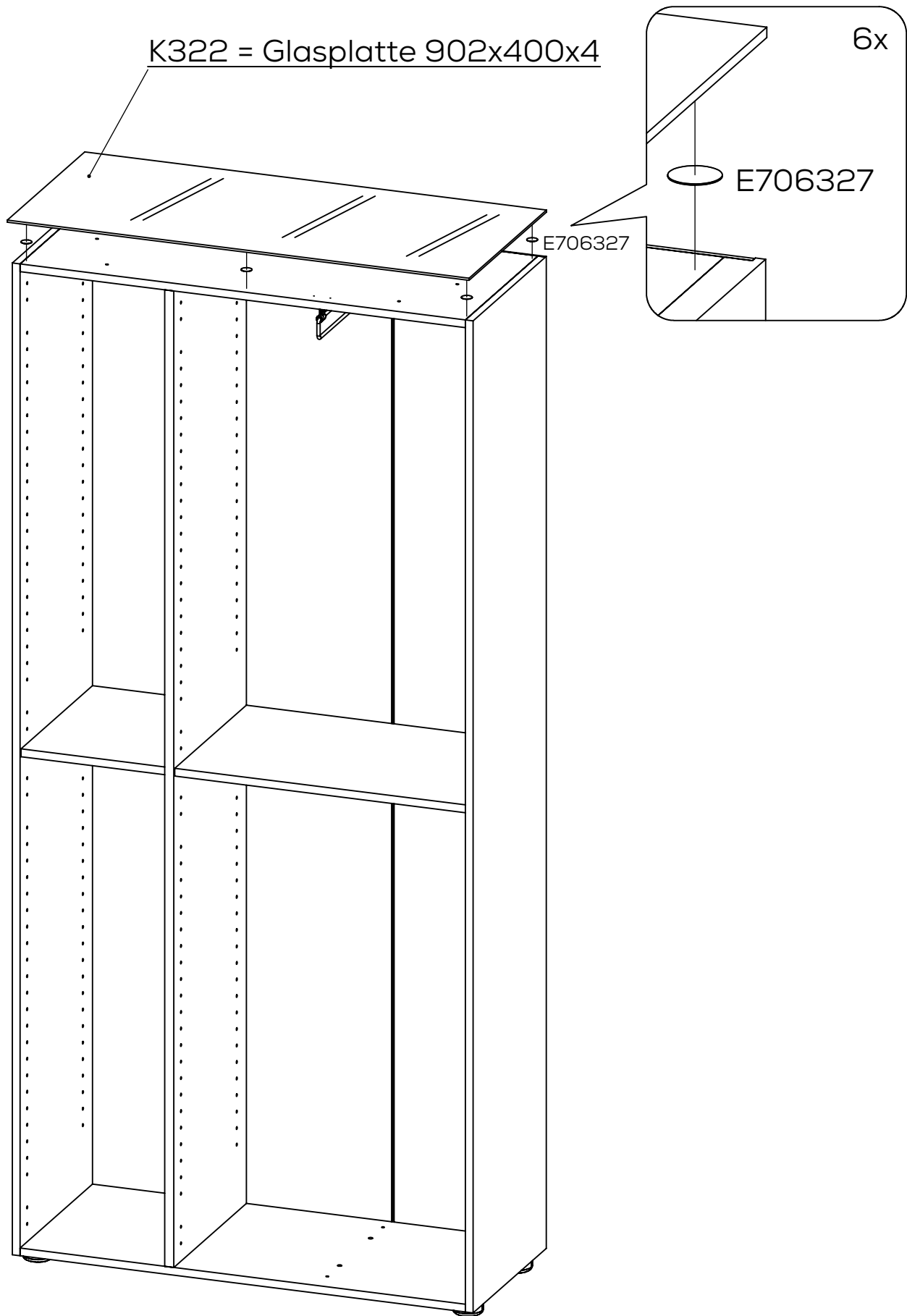
12



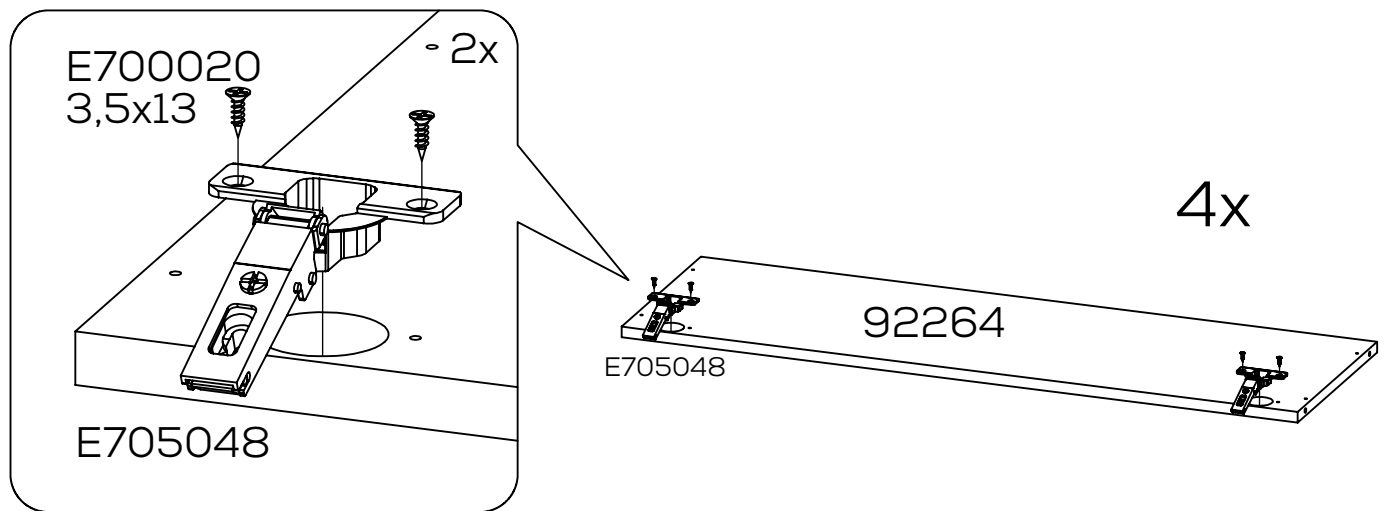
13



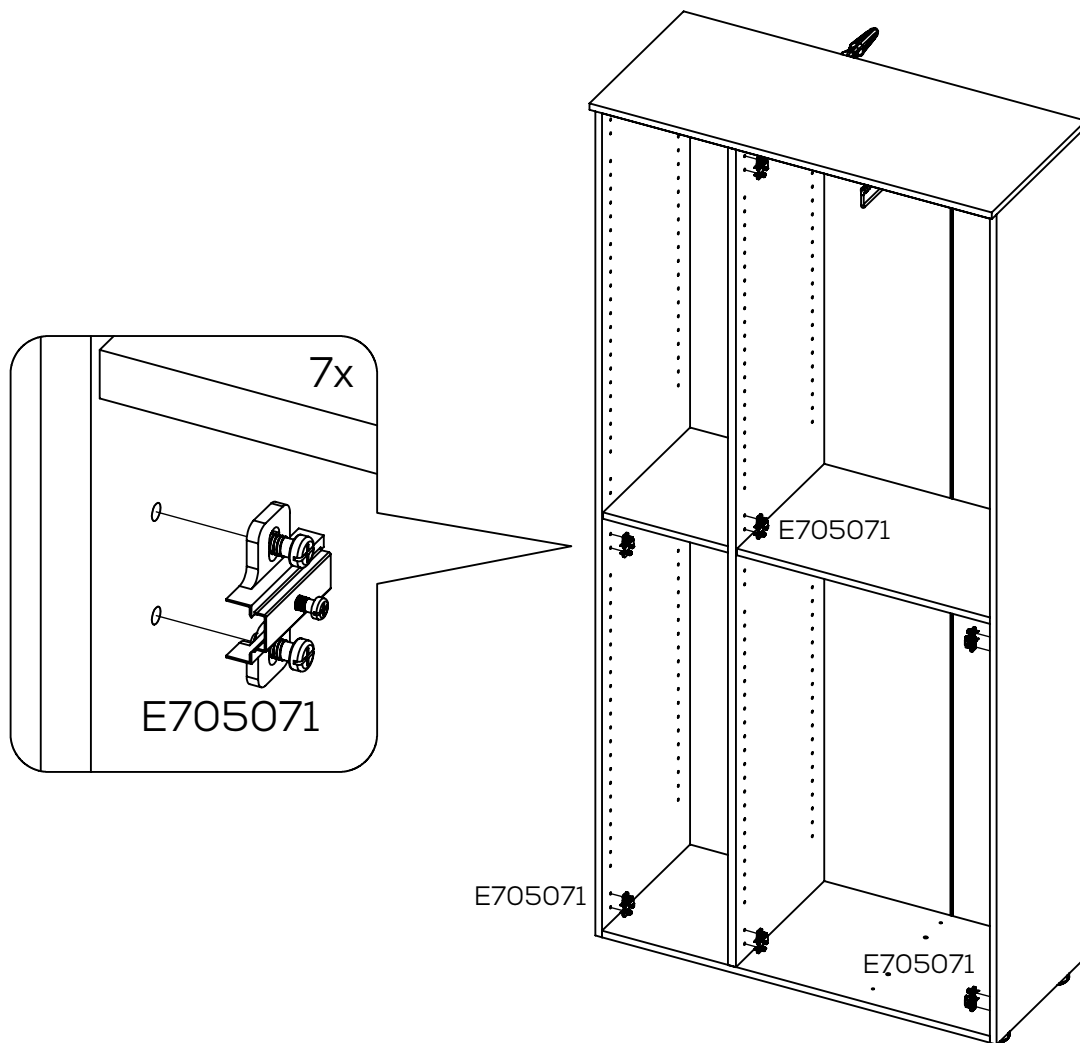


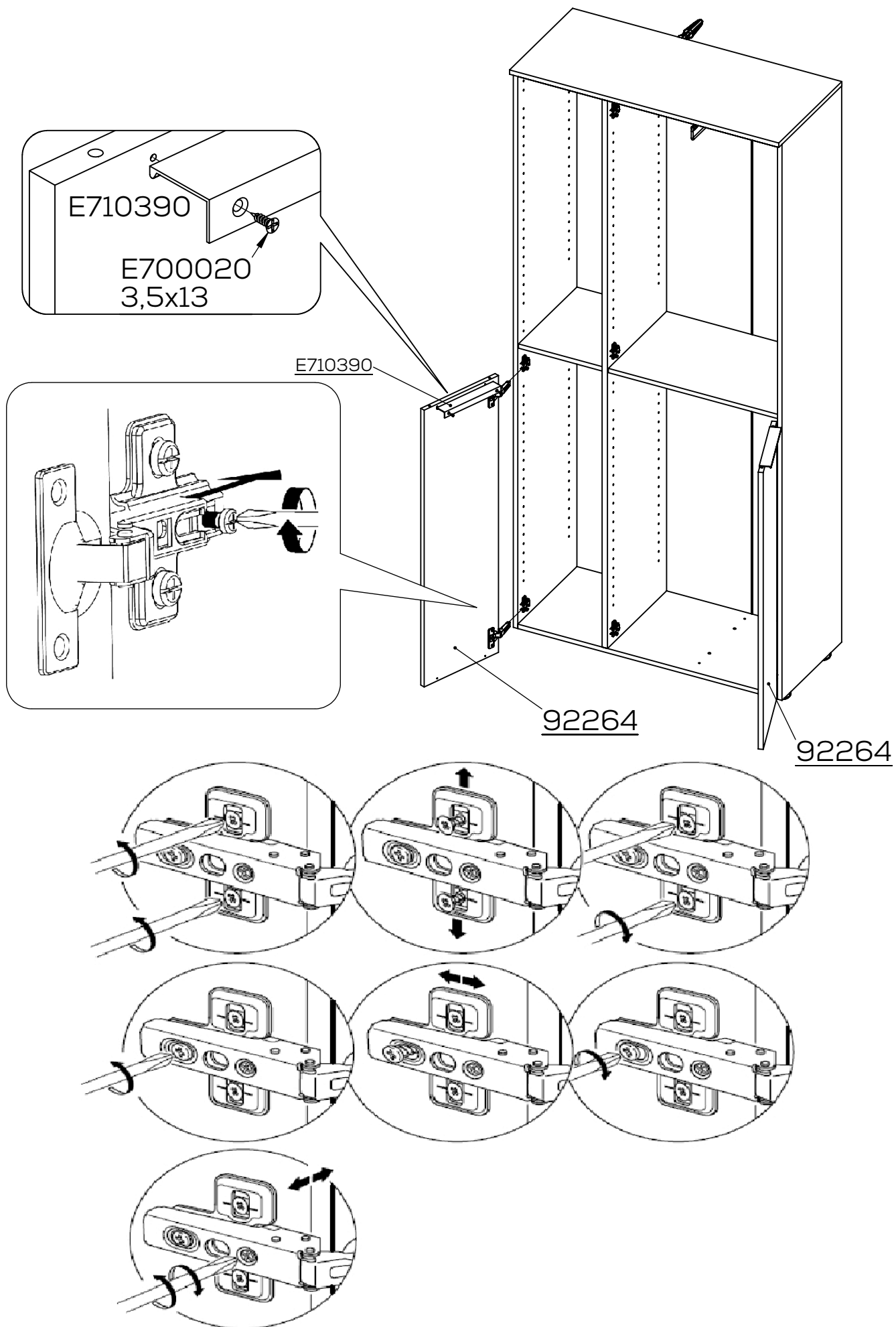


16

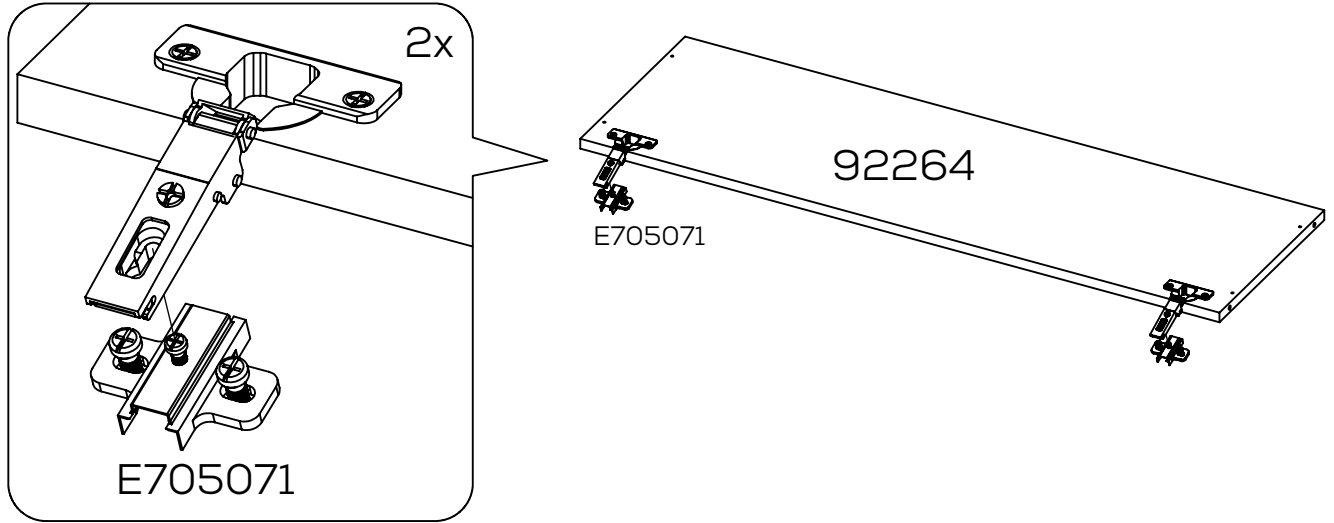


17

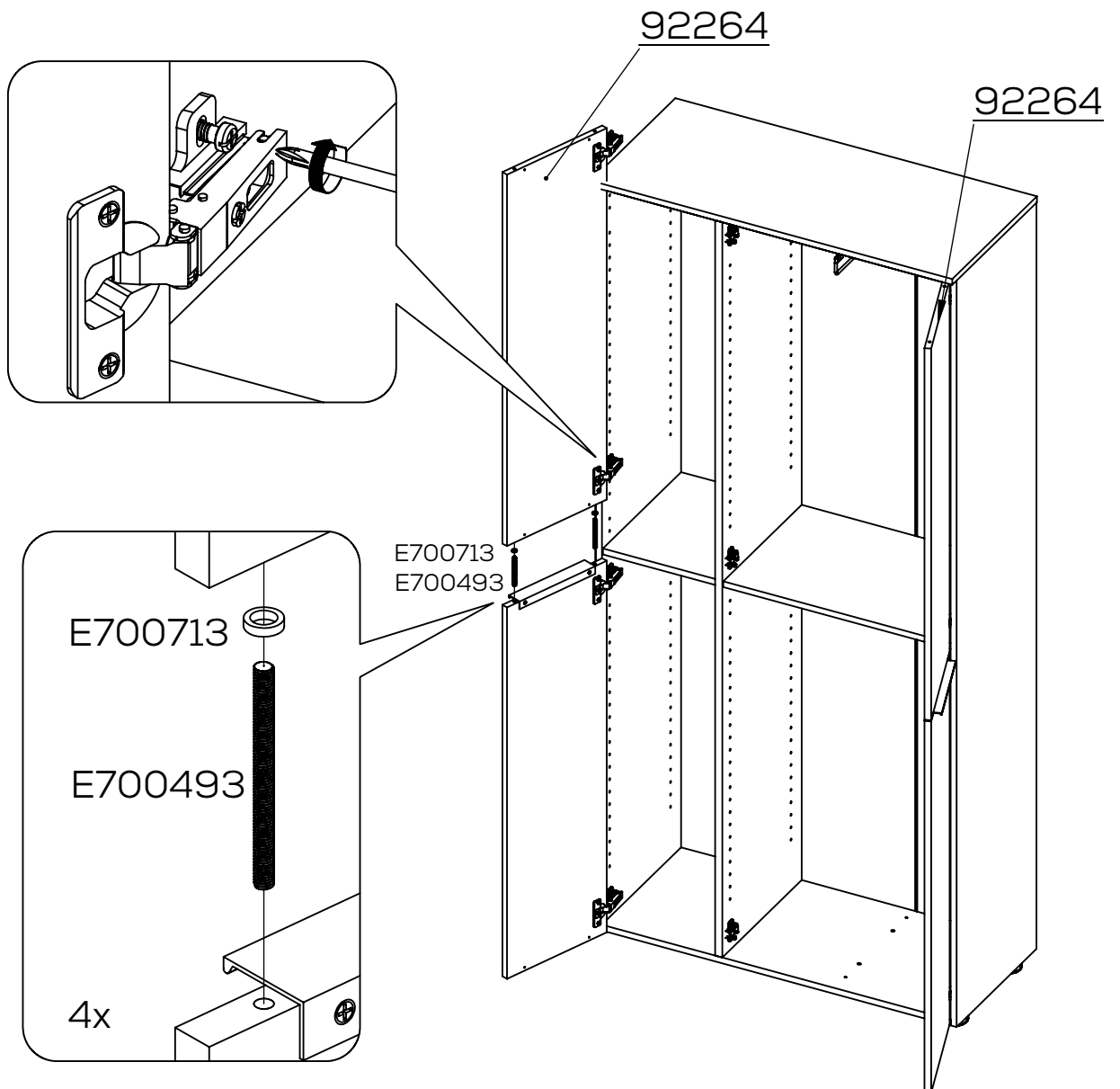




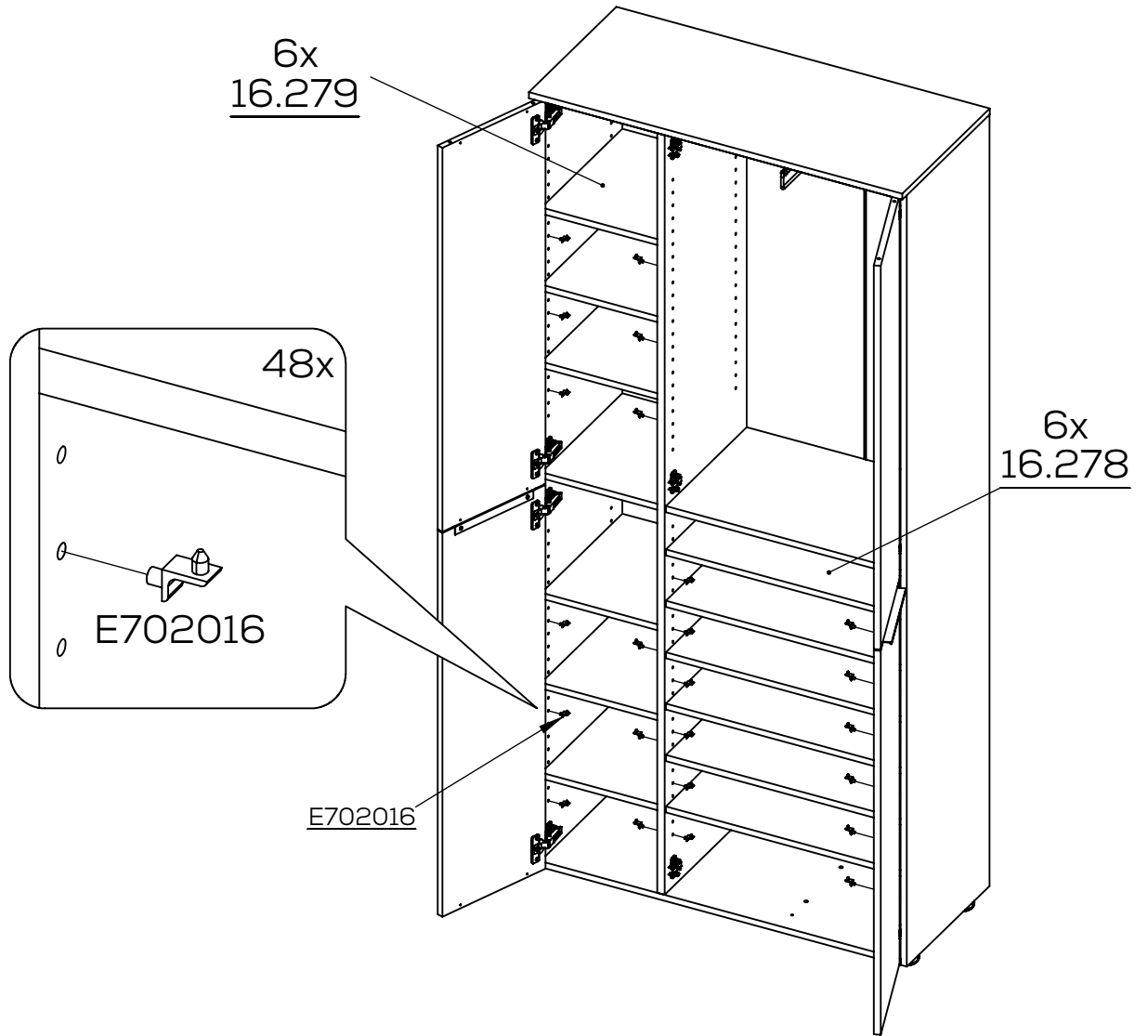
19



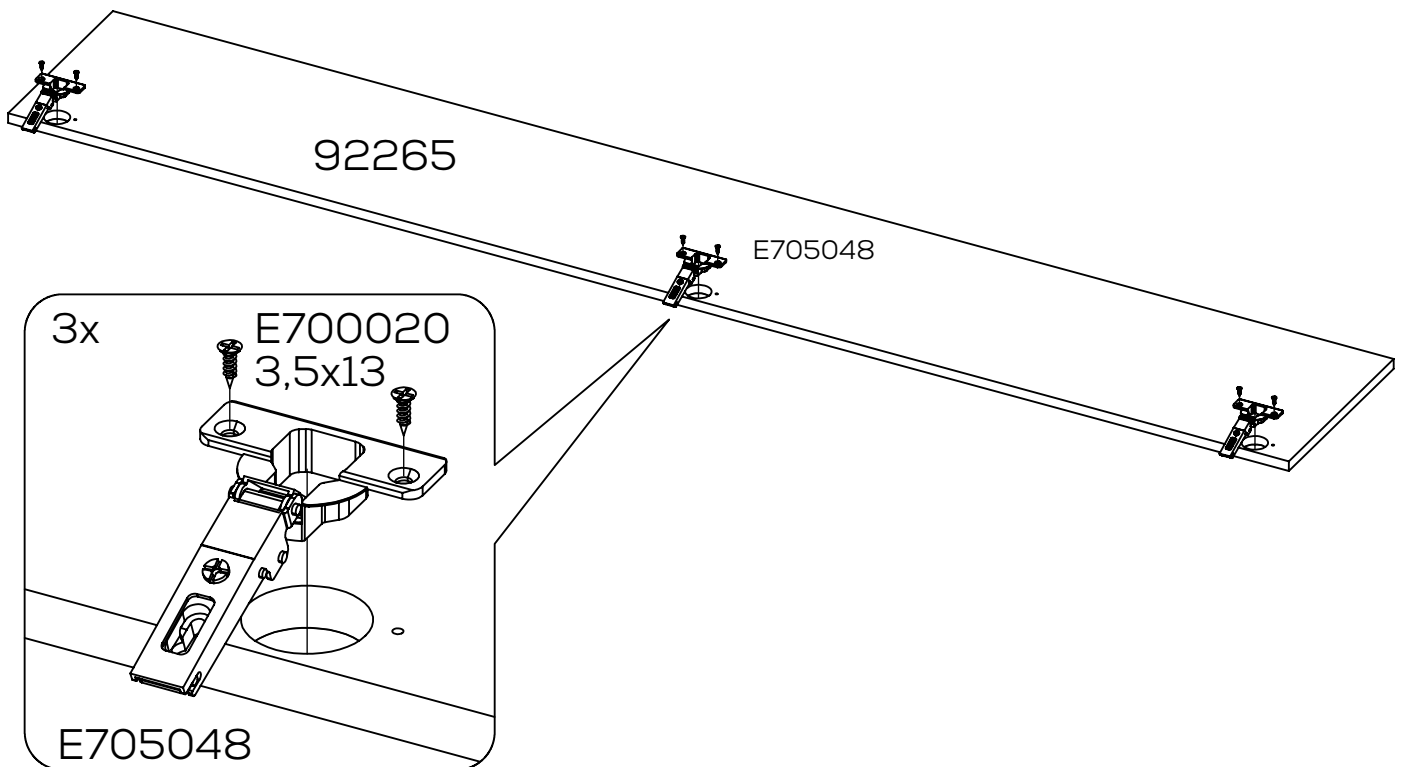
20



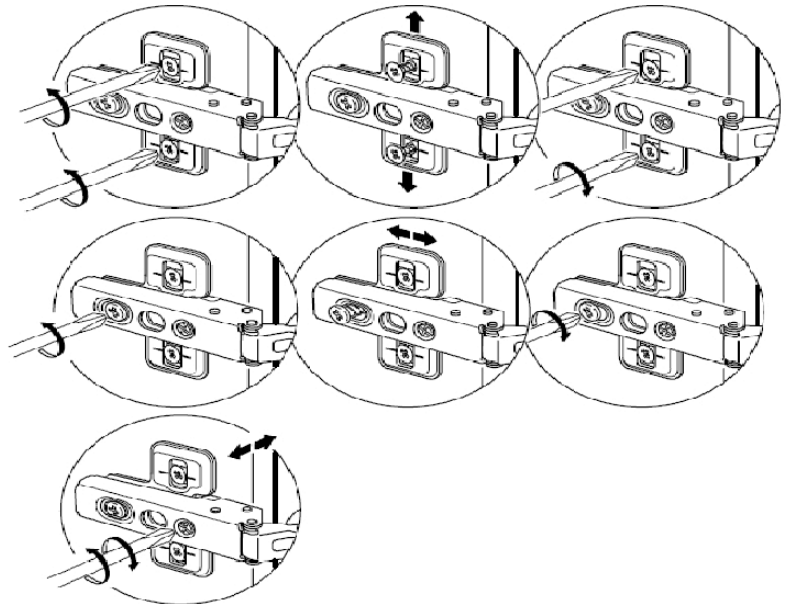
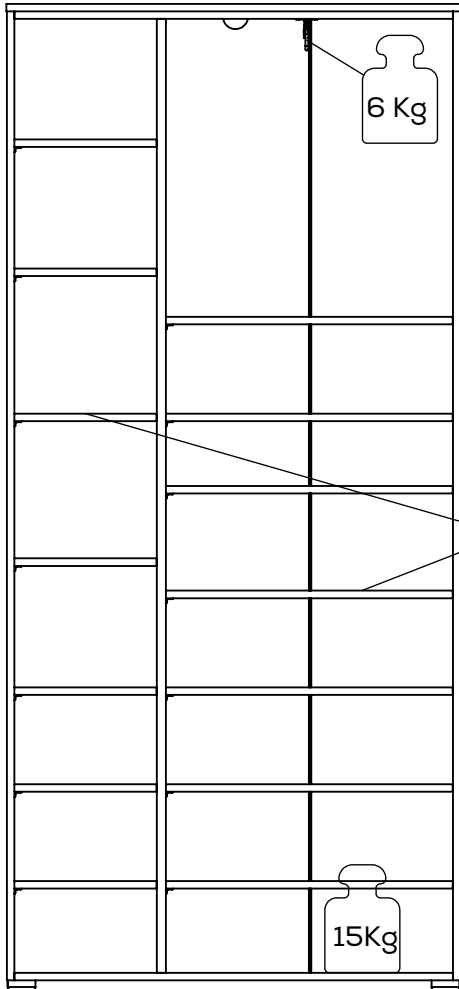
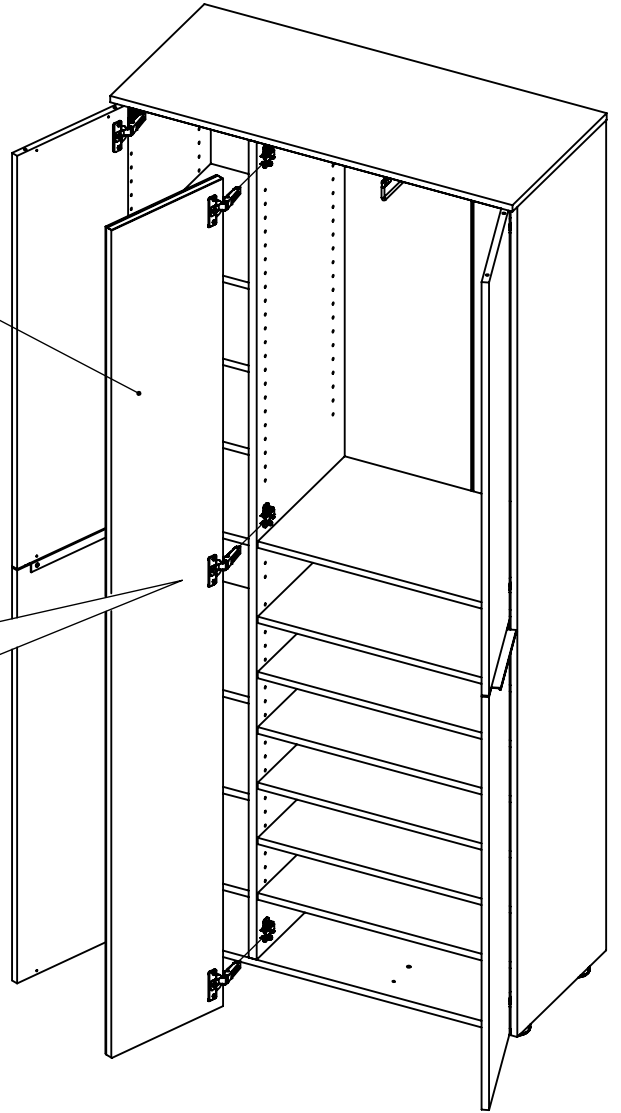
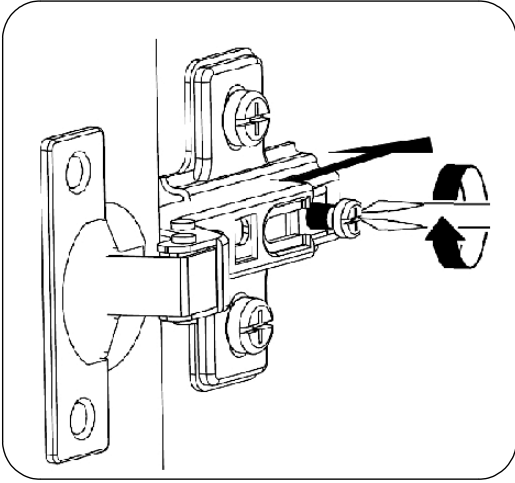
21



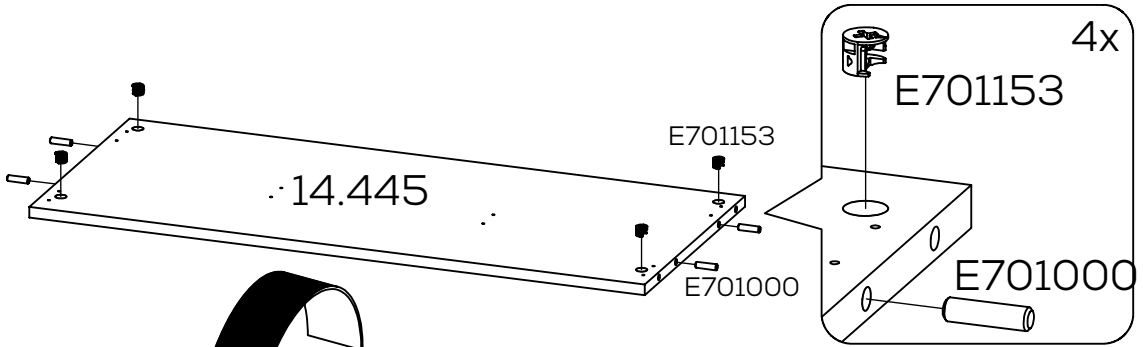
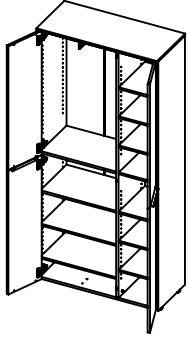
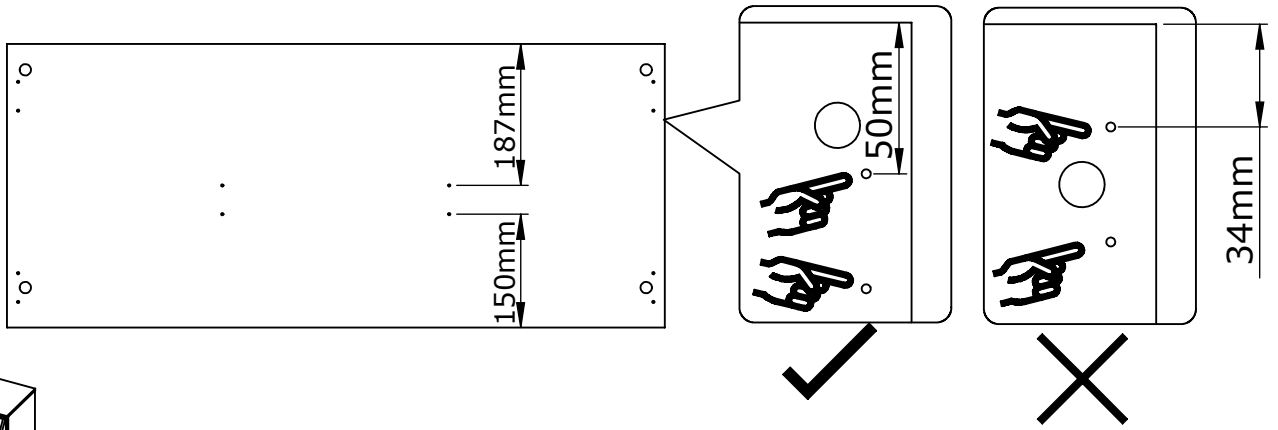
22



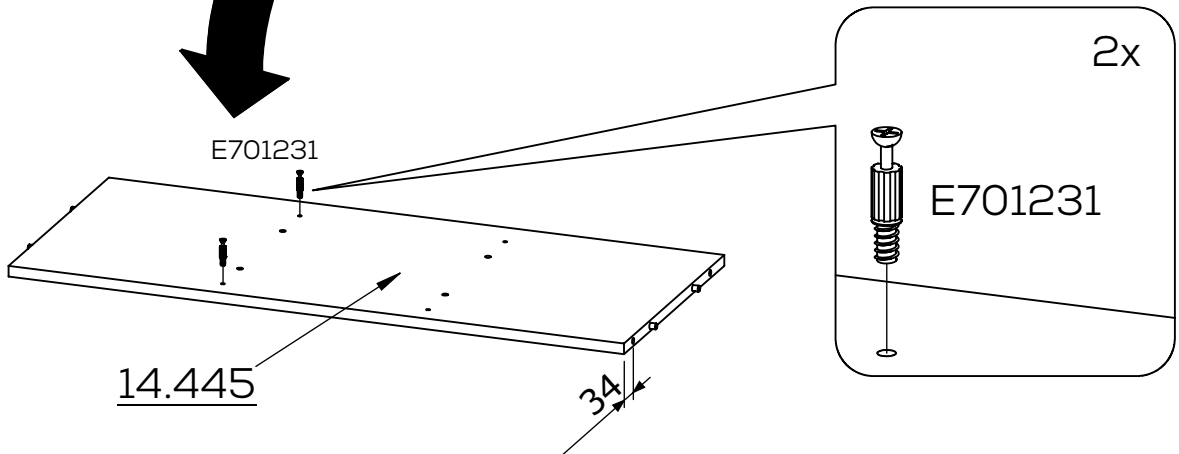
92265



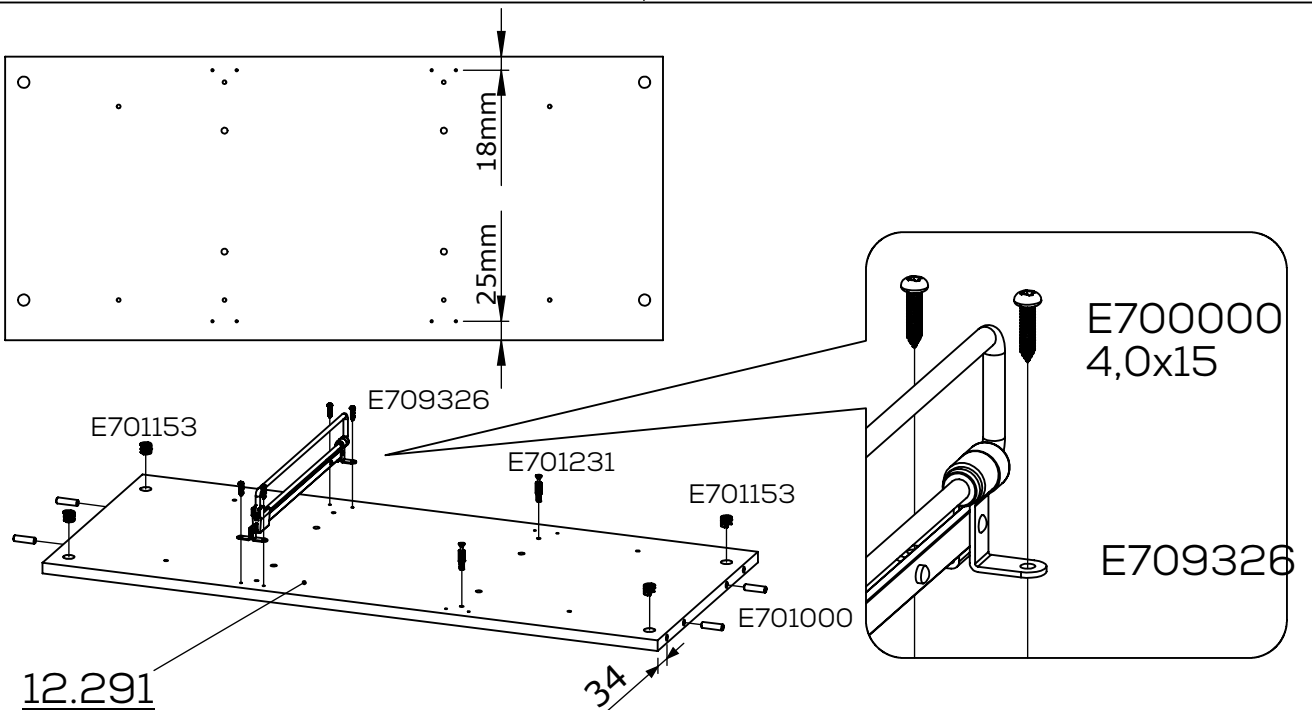
24

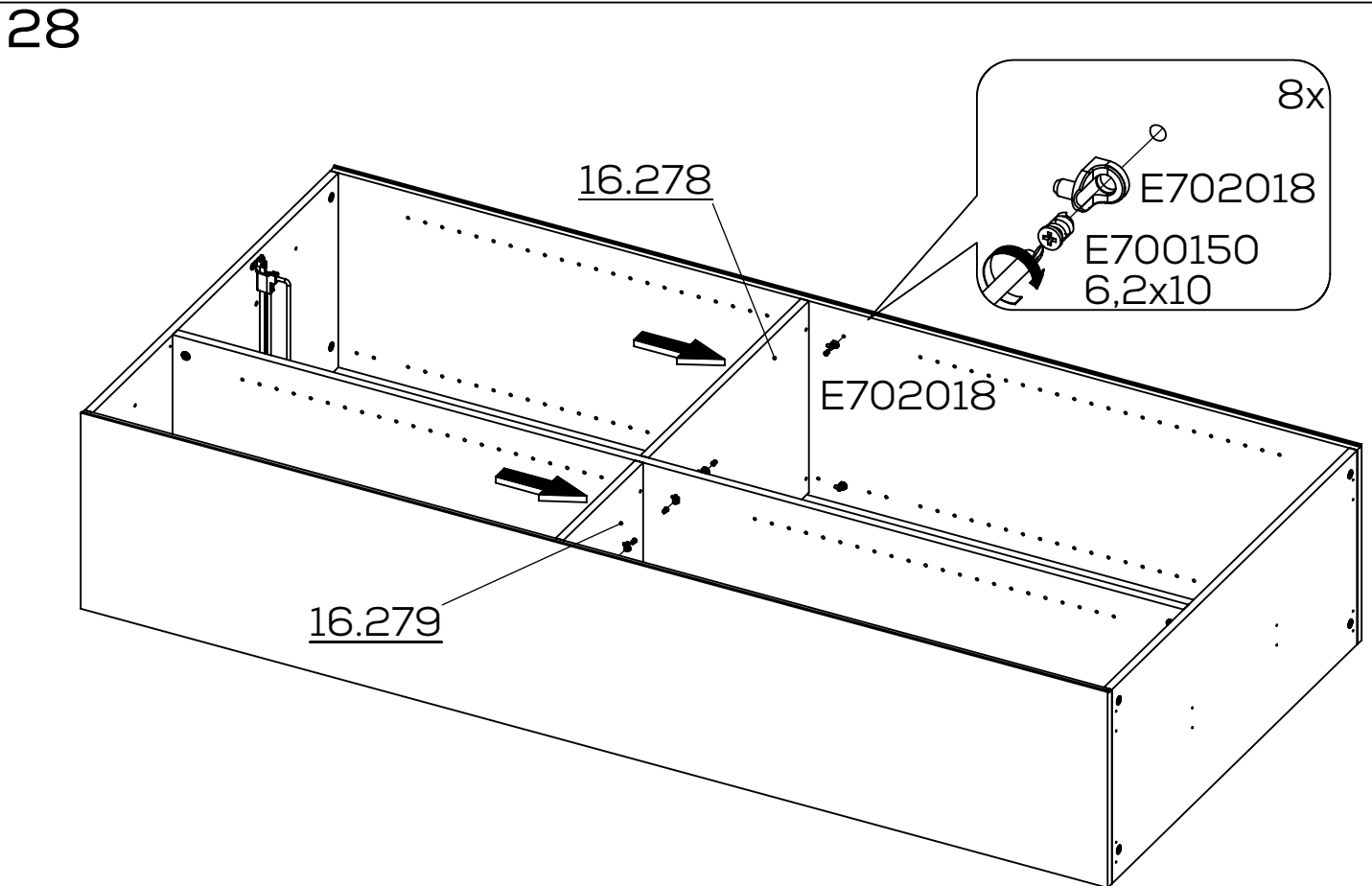
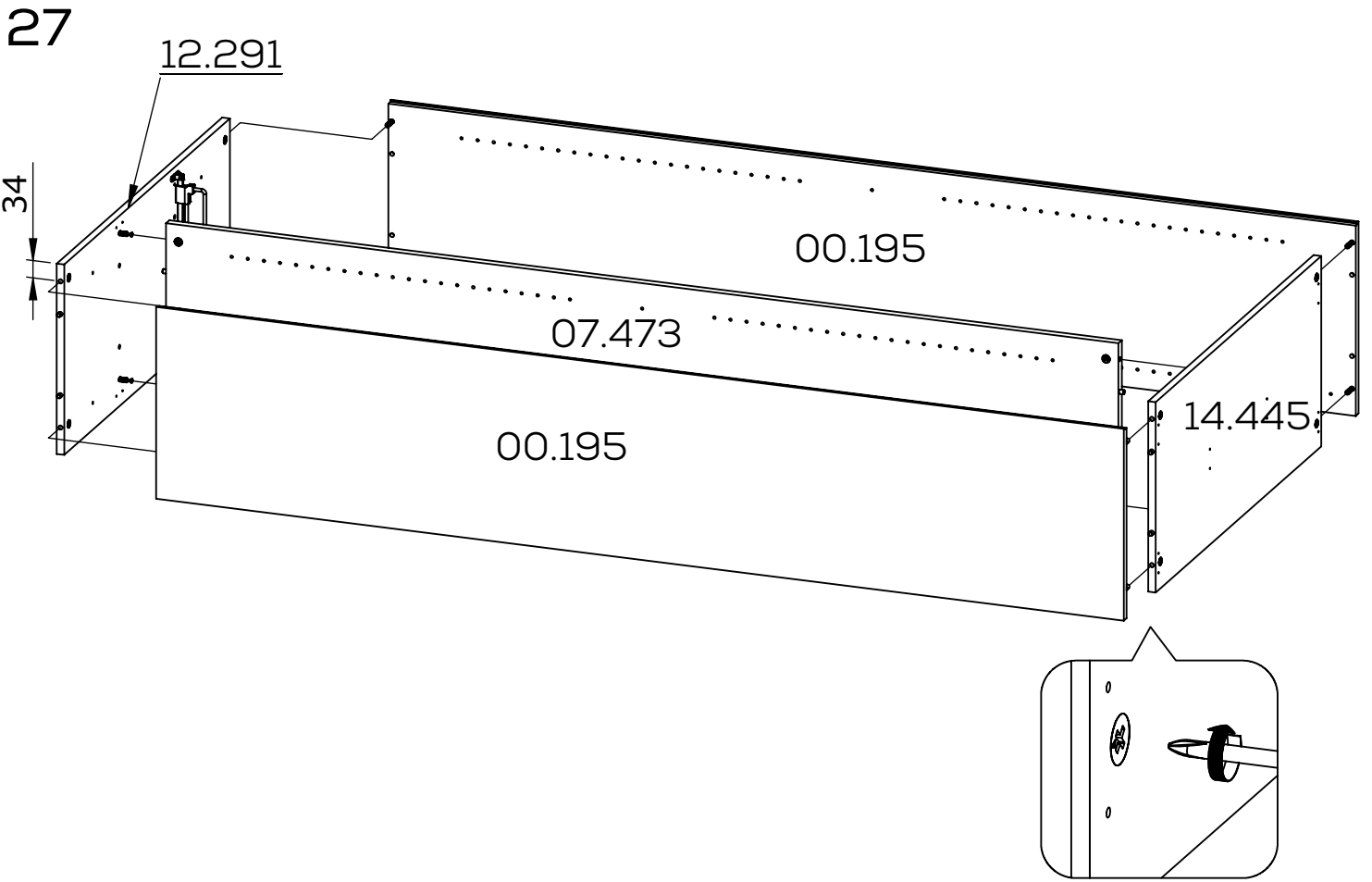


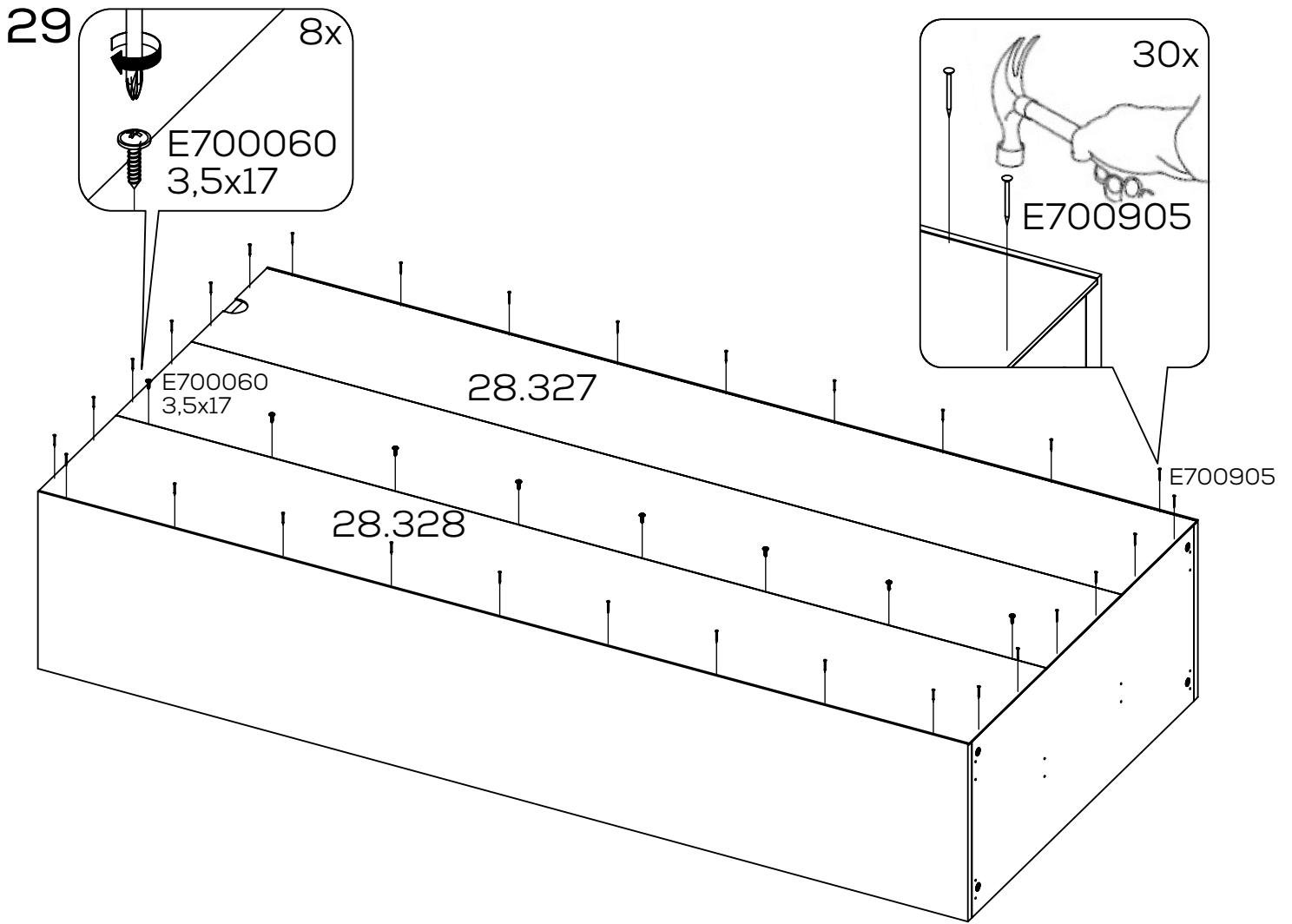
25



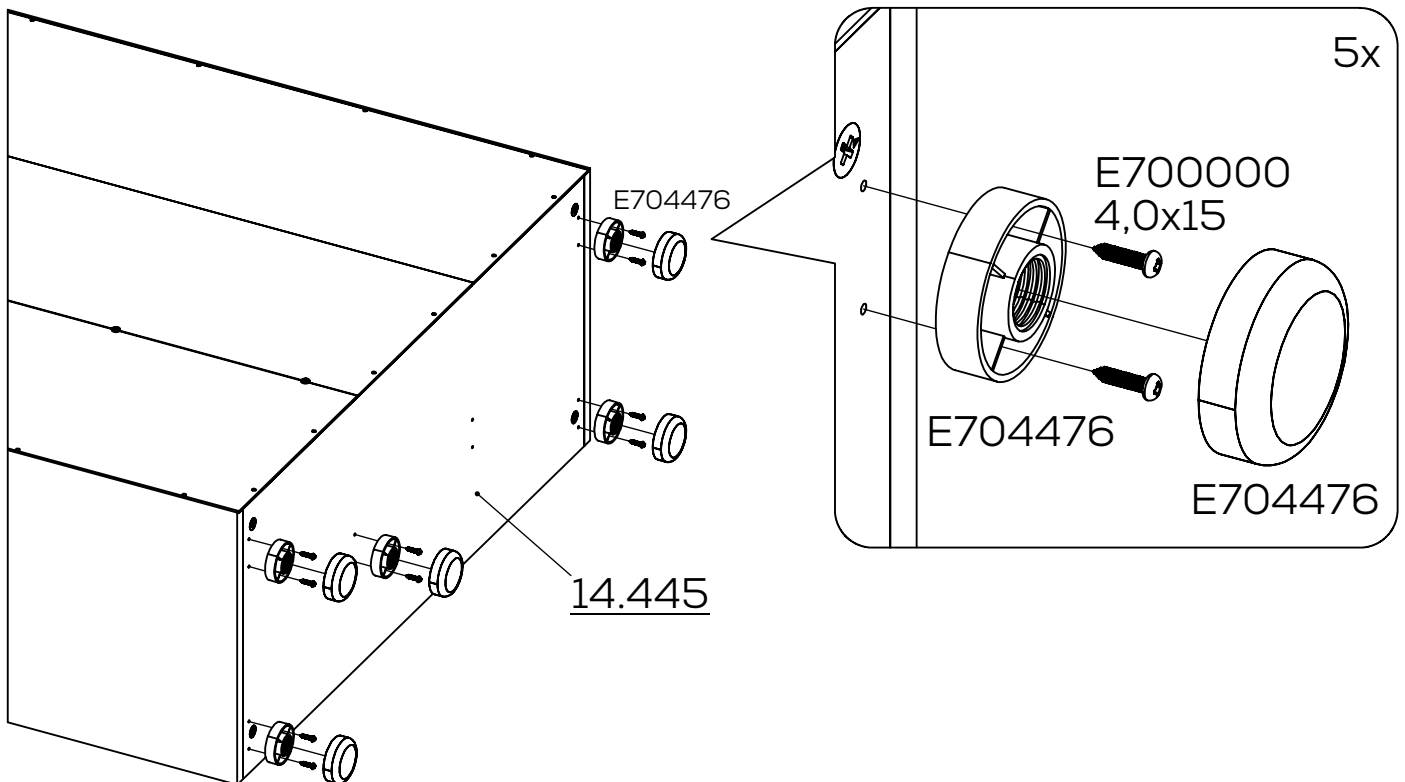
26



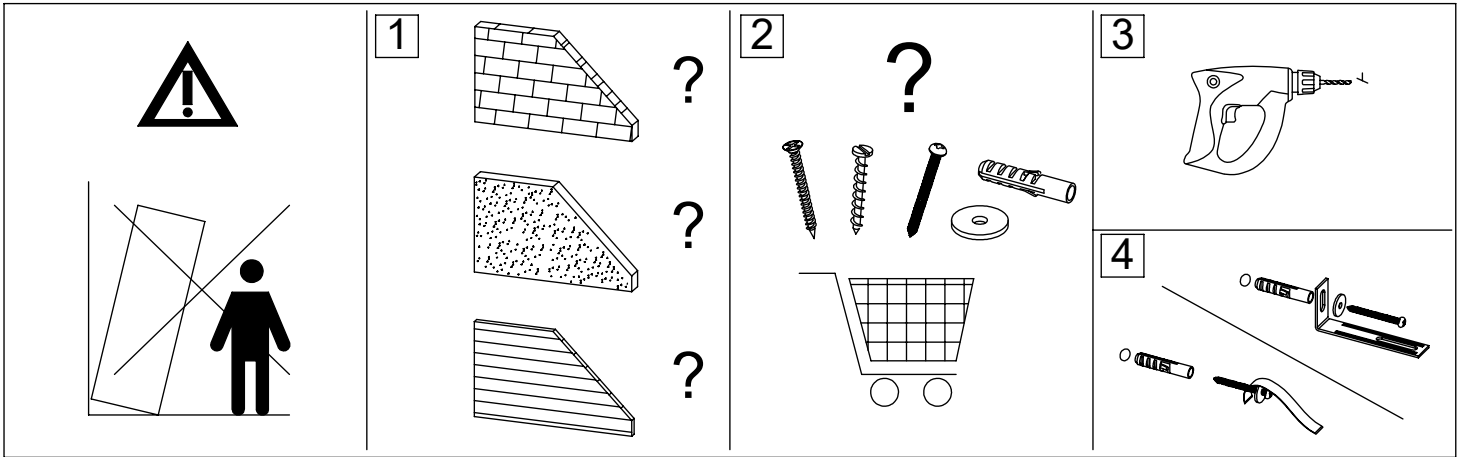
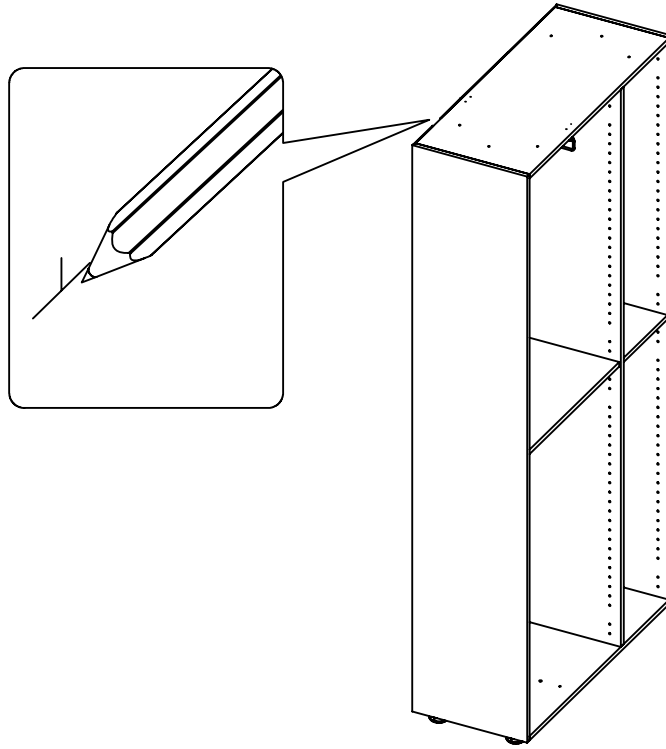




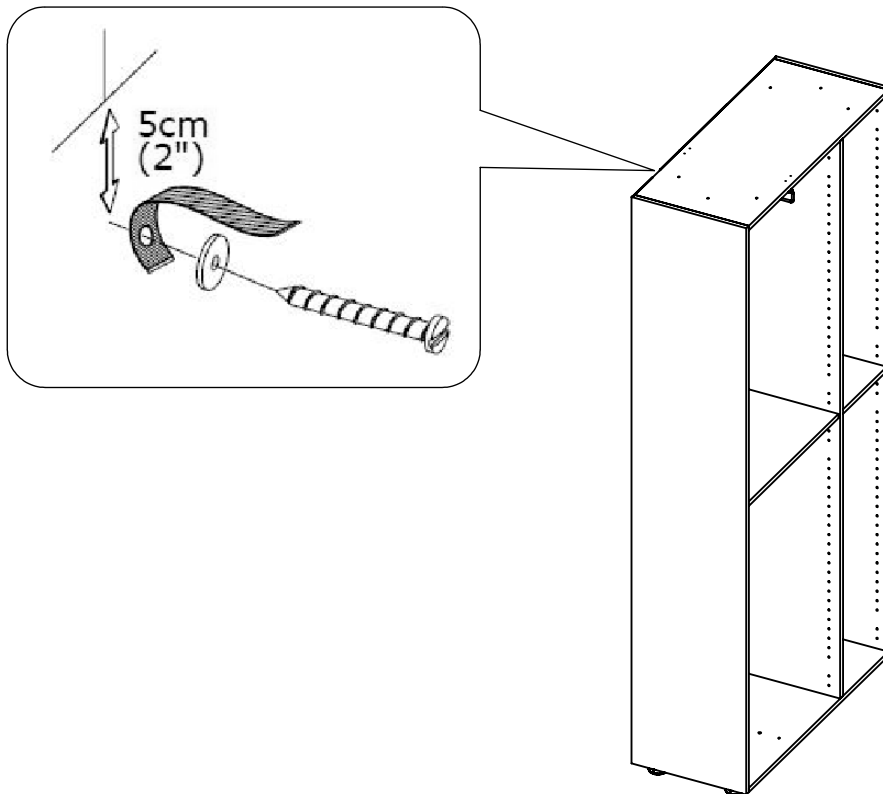
30



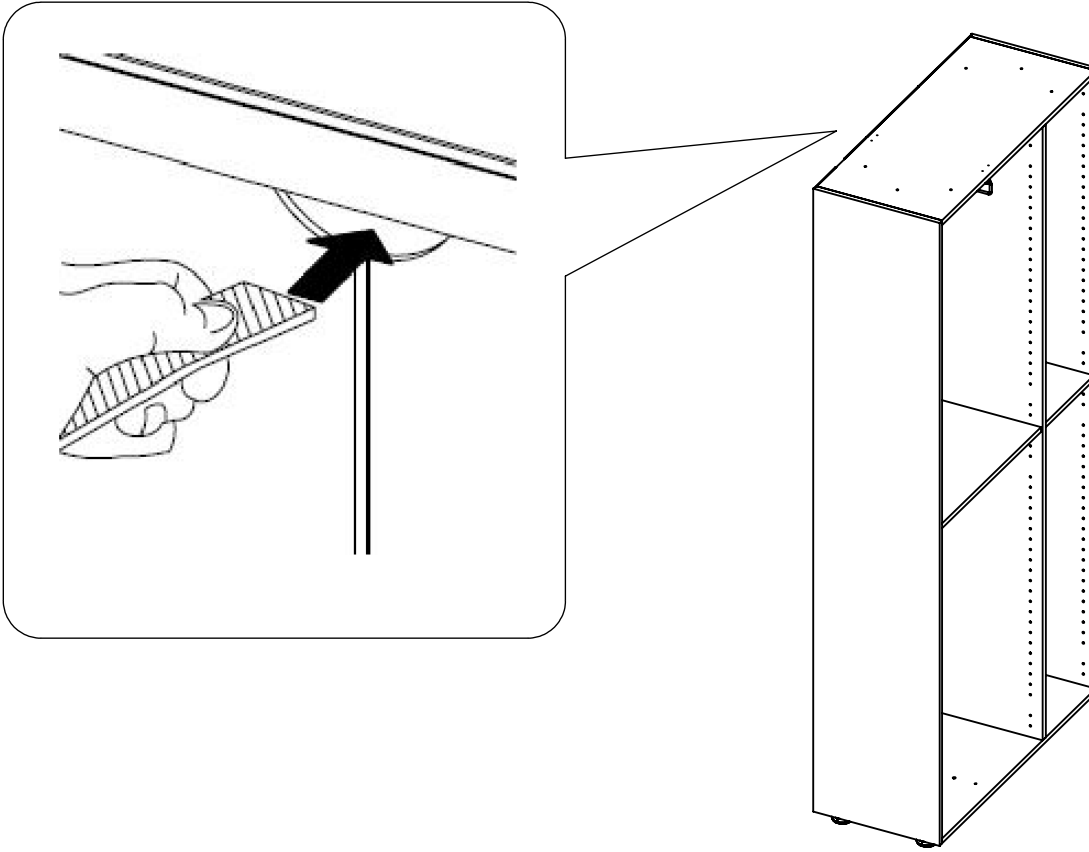
31



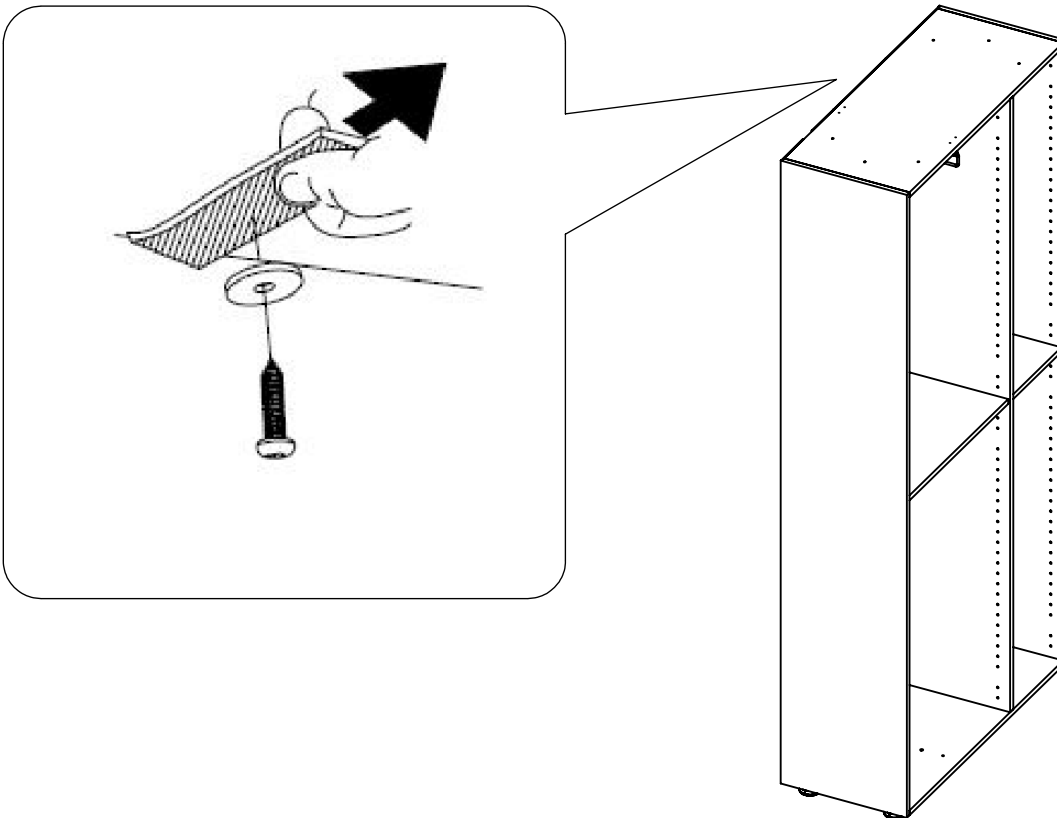
32

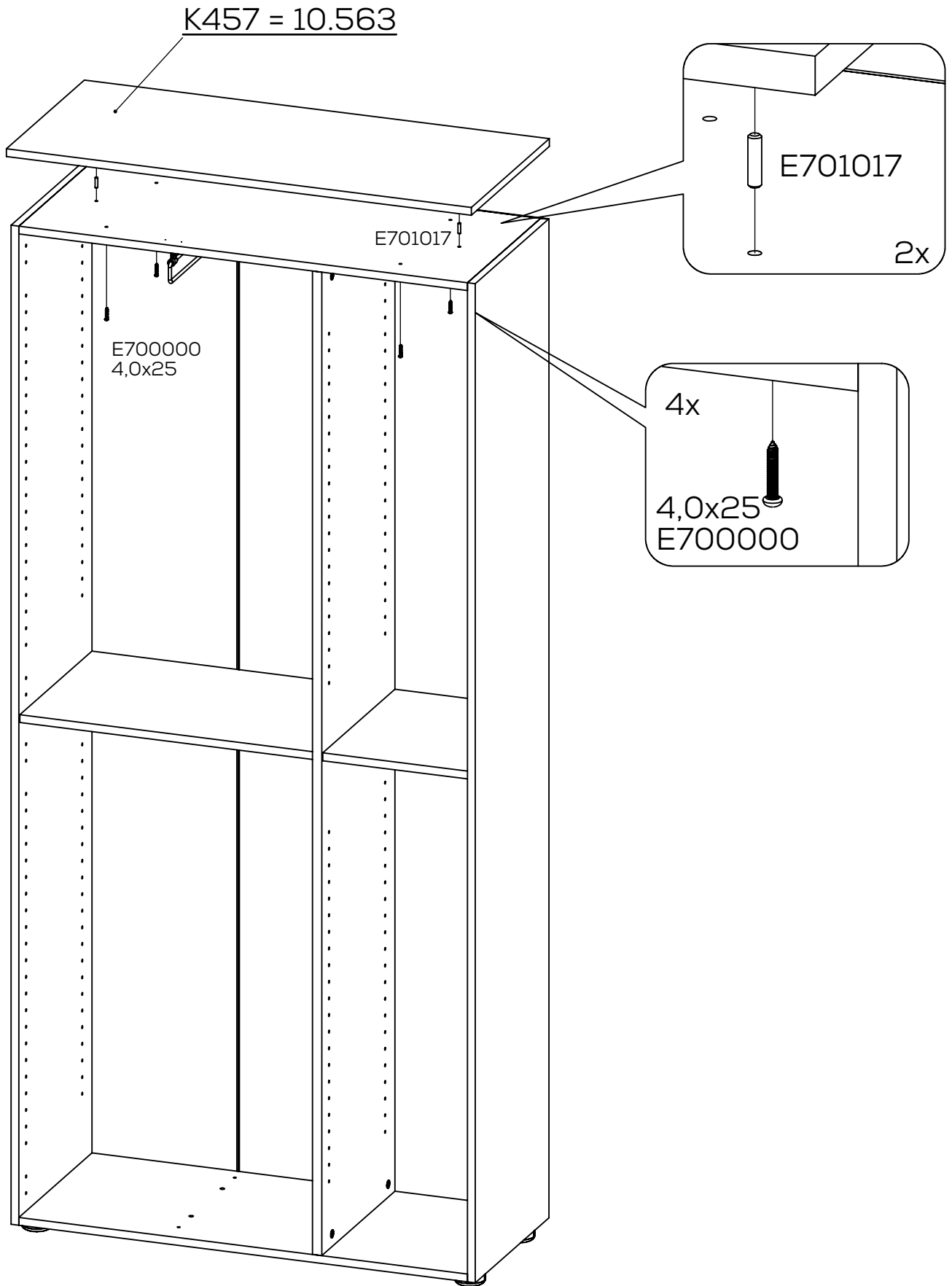


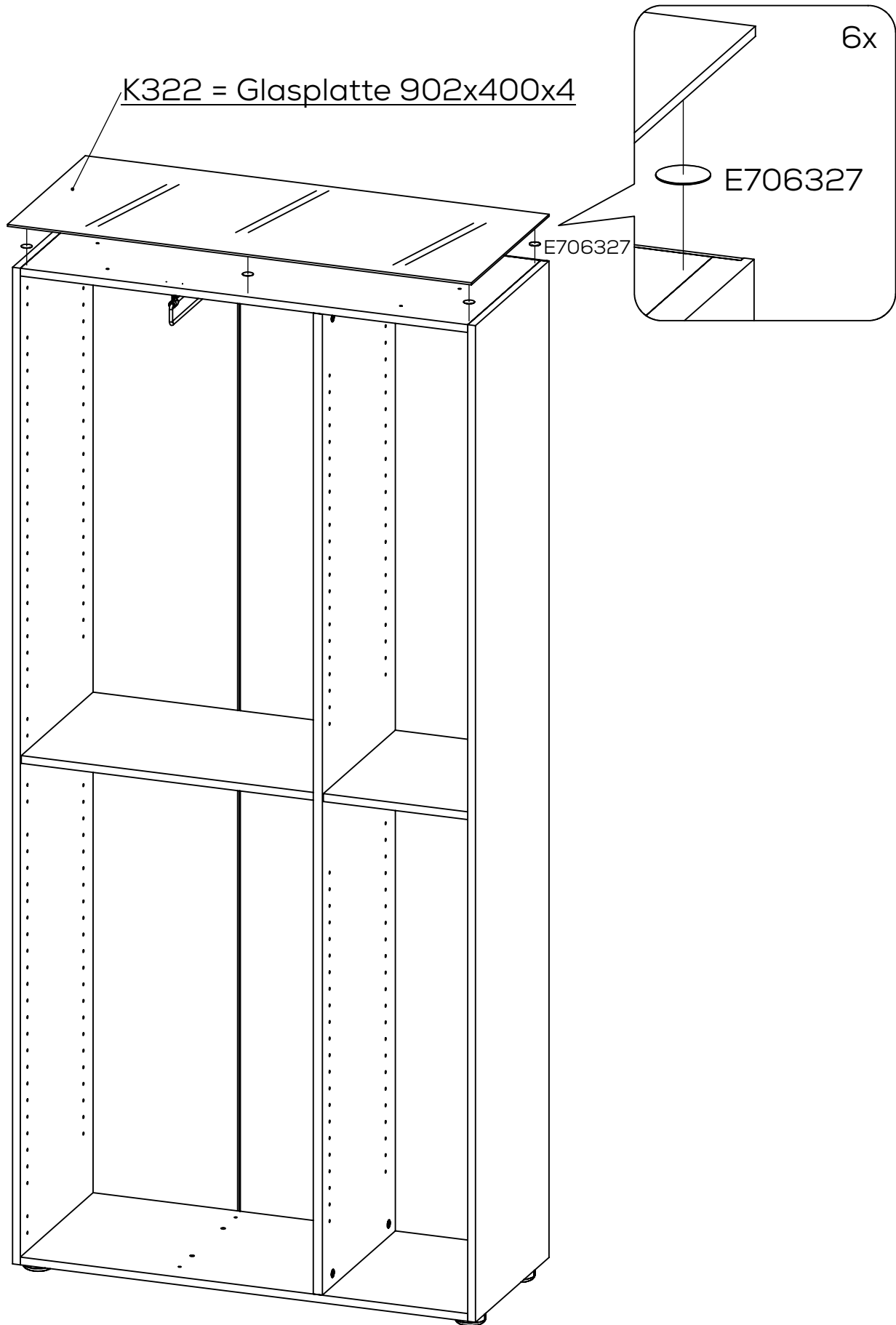
33



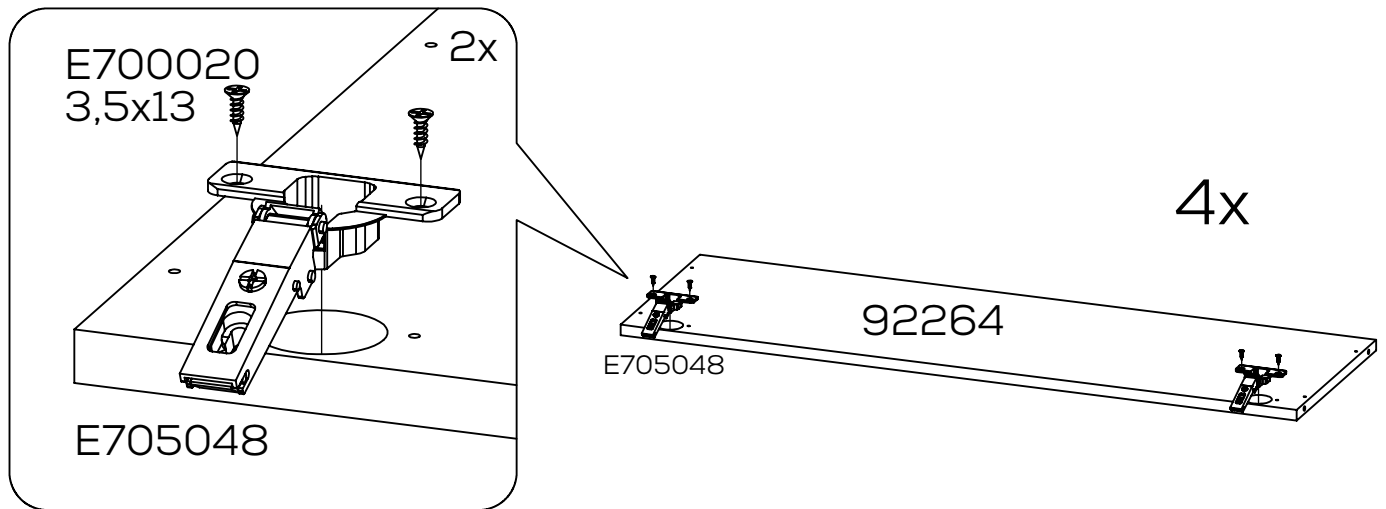
34



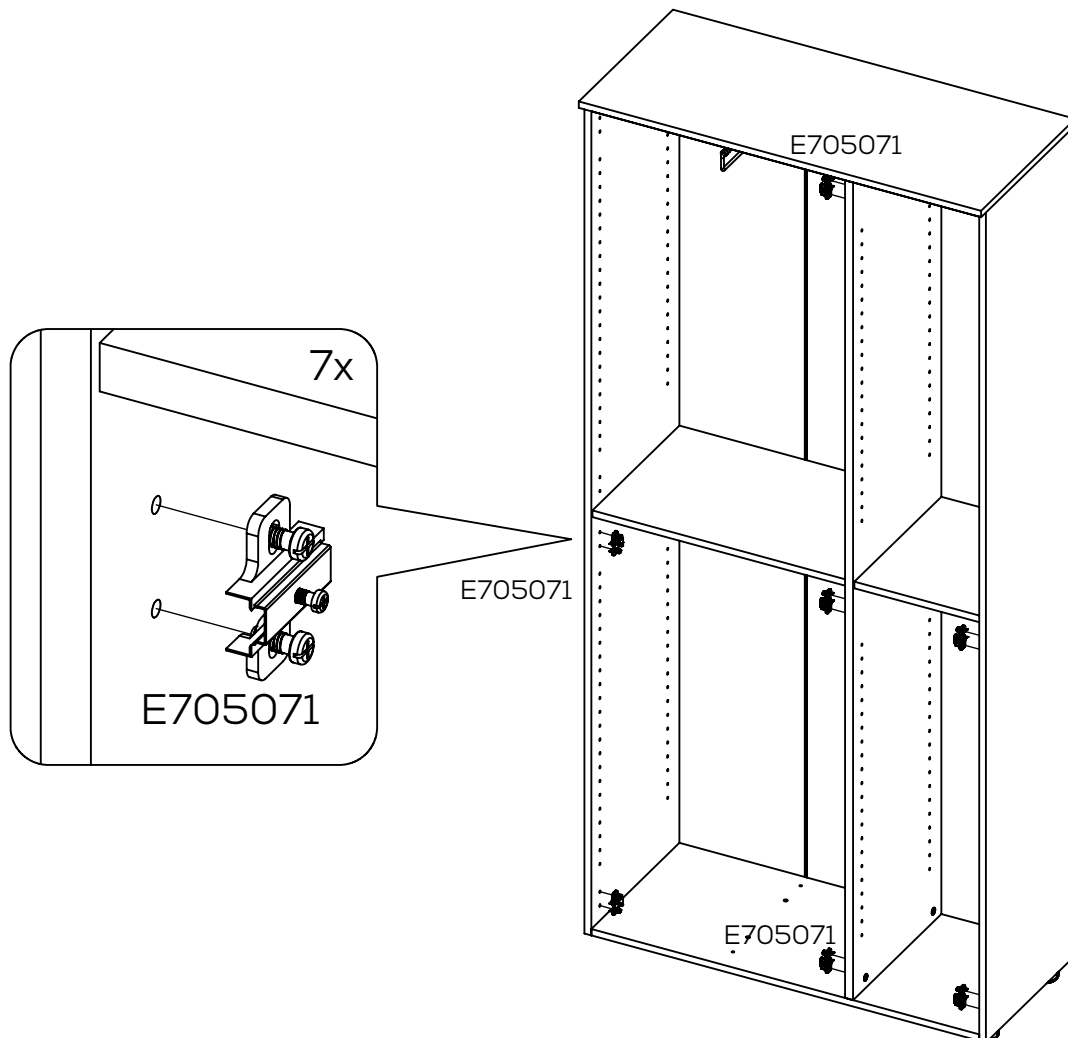


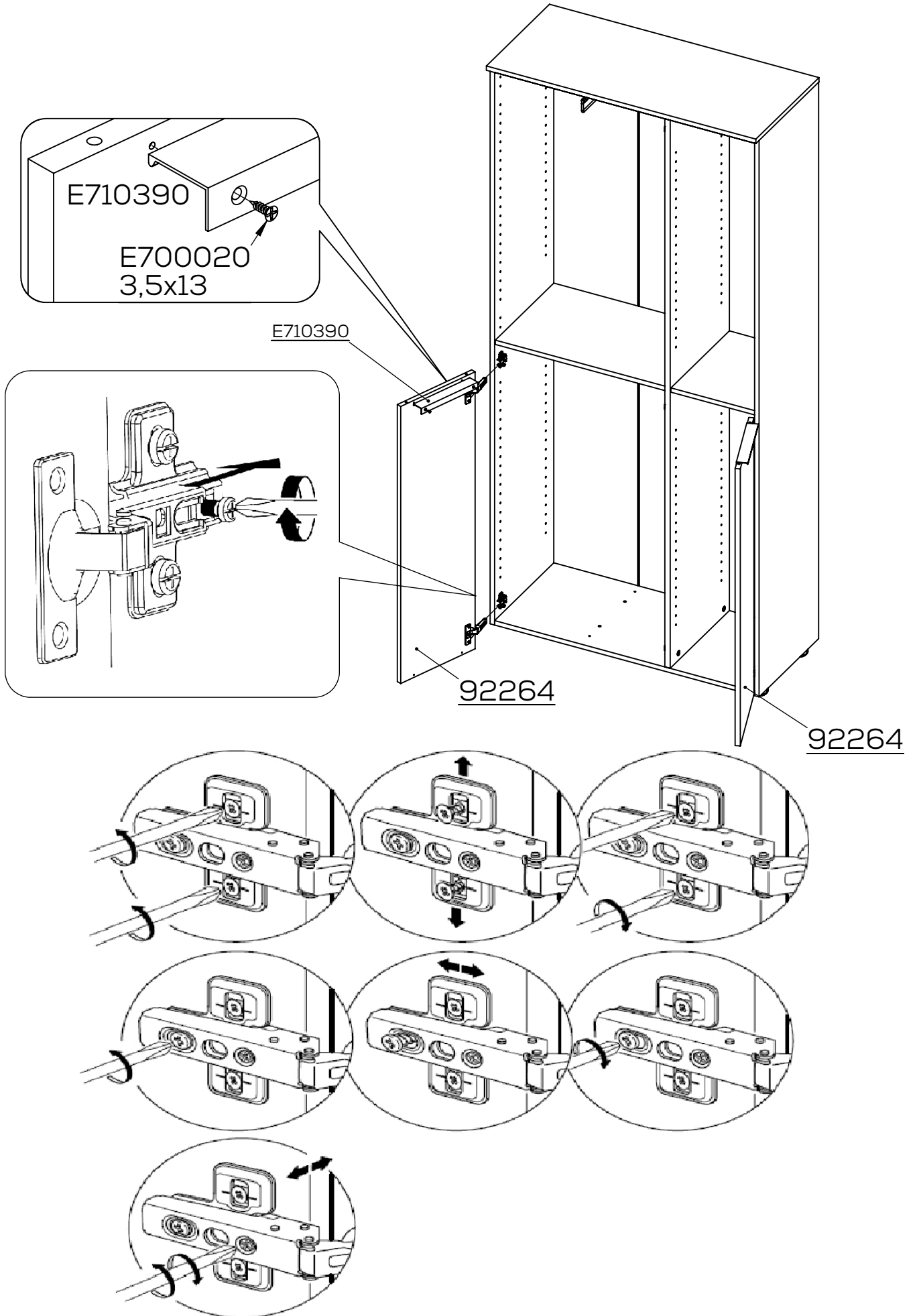


37

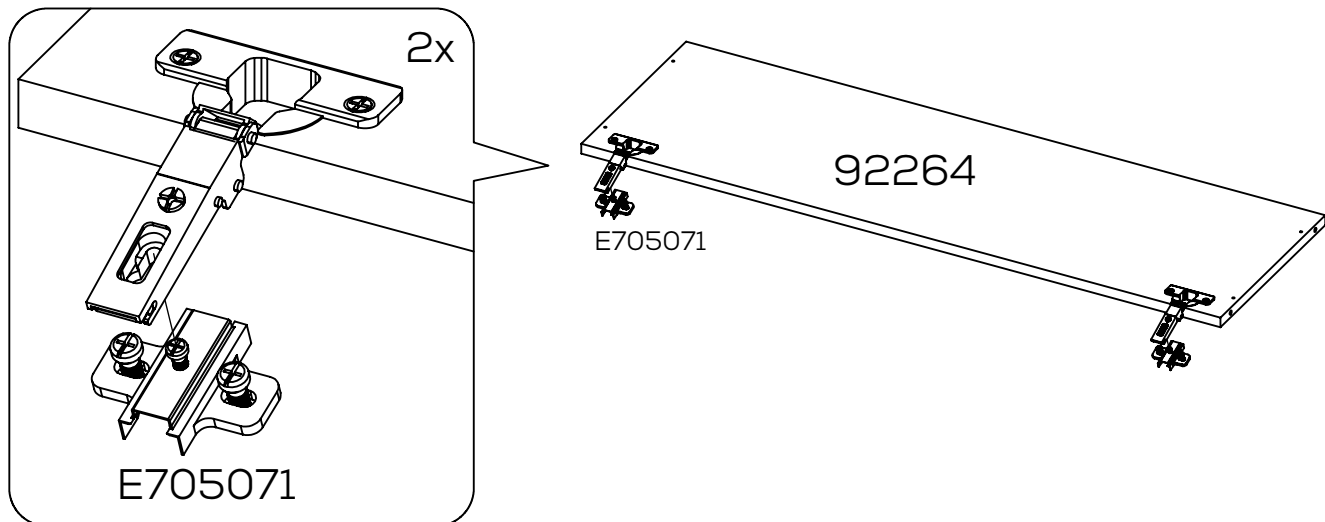


38

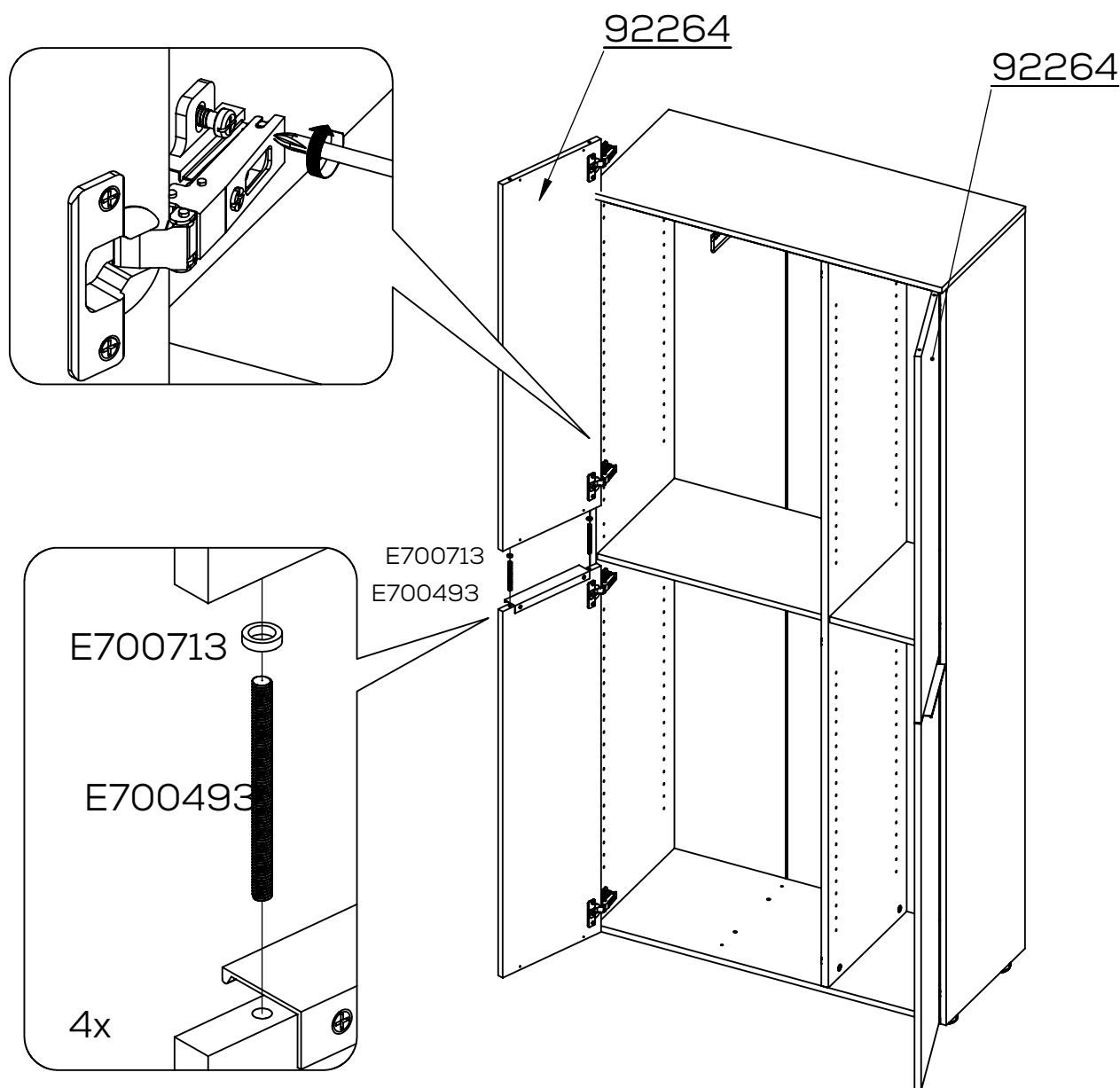




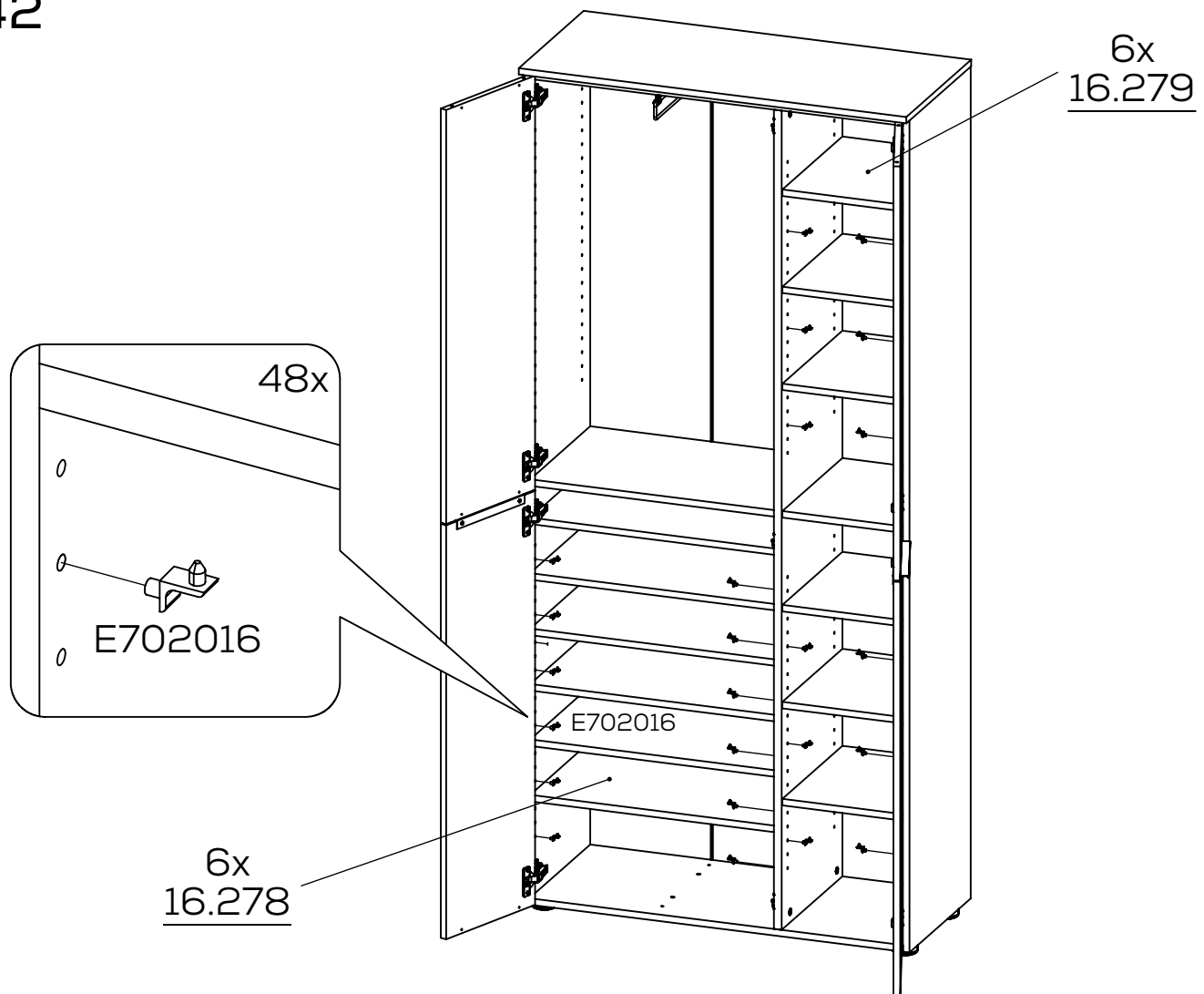
40



41



42



43

