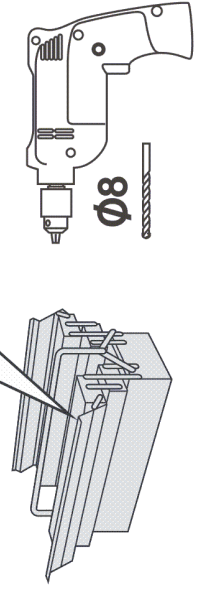
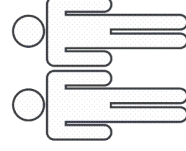
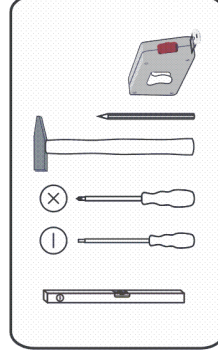
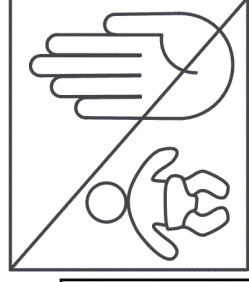
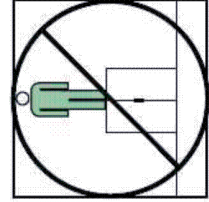
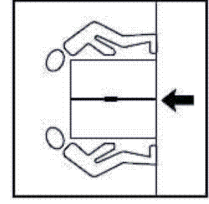
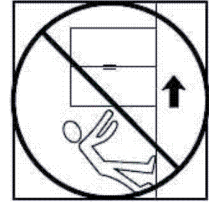
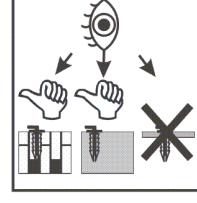
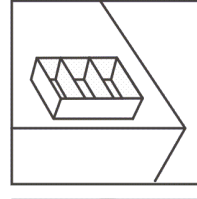
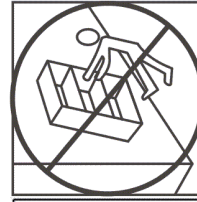
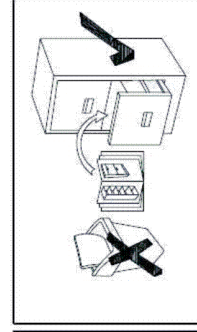
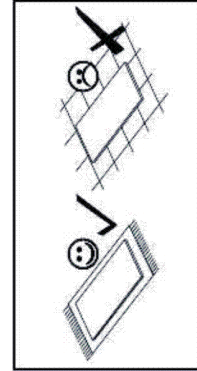
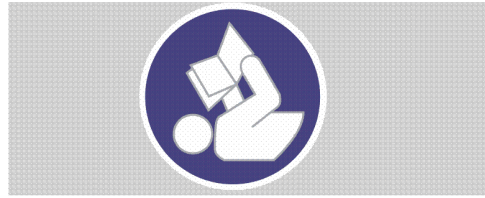
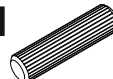






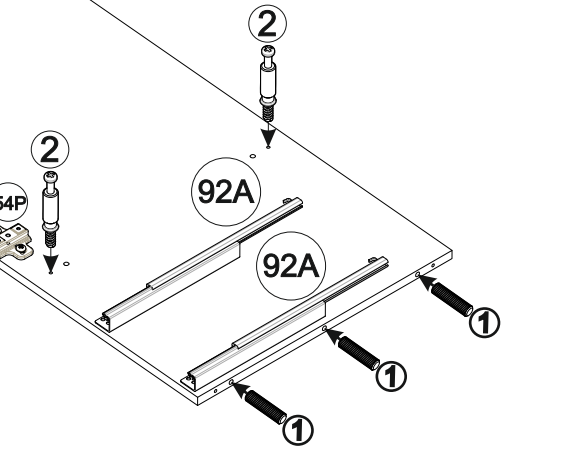
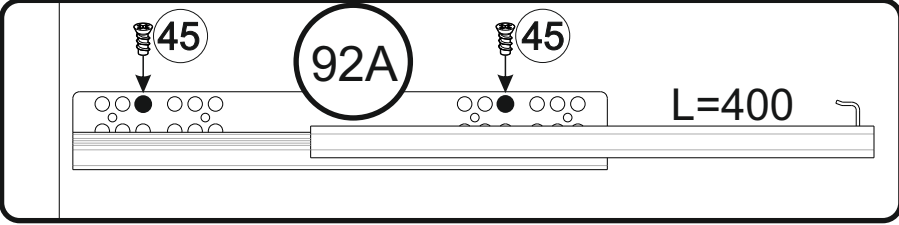
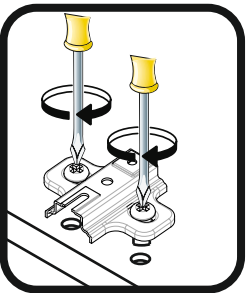
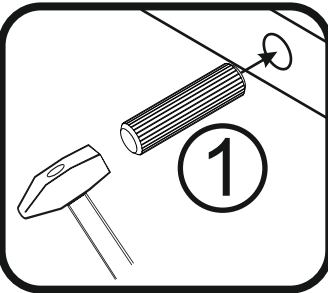
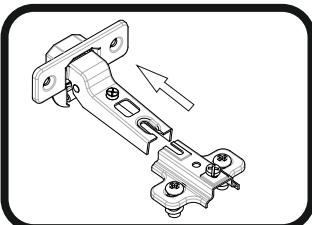
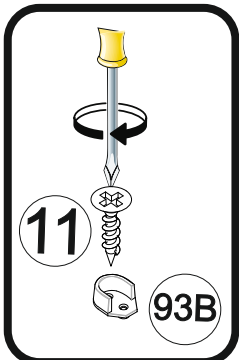
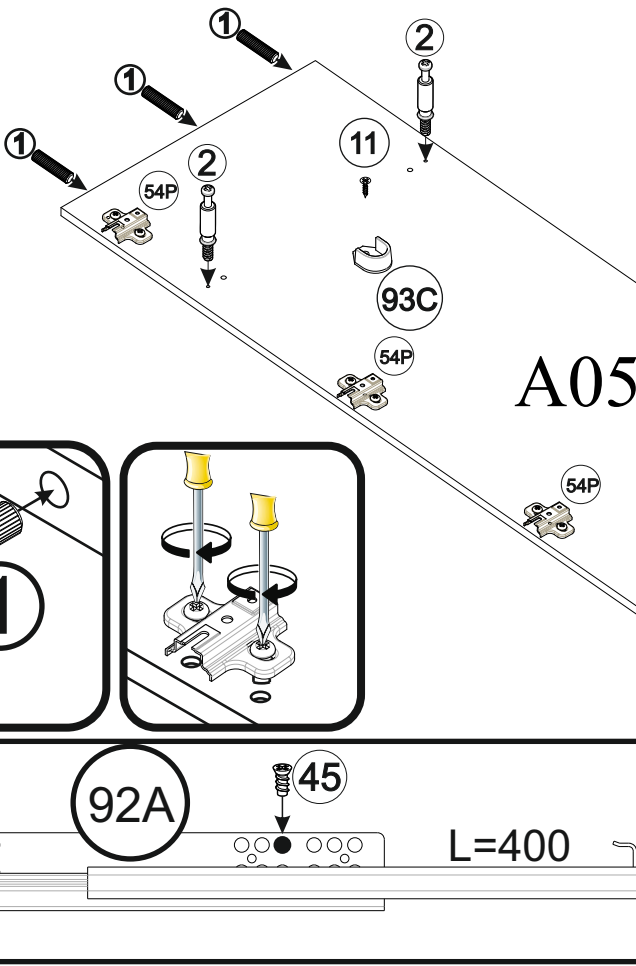
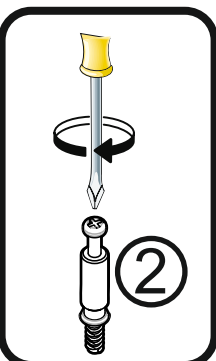


180 min

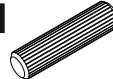
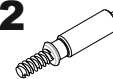







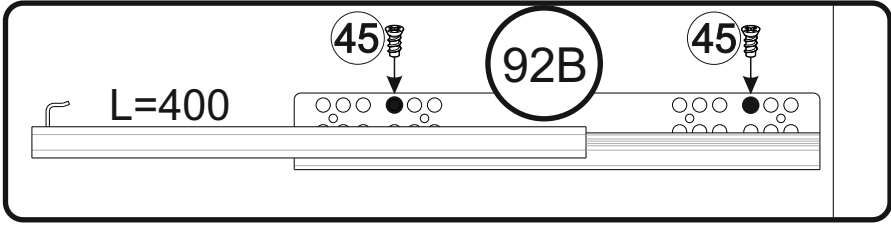
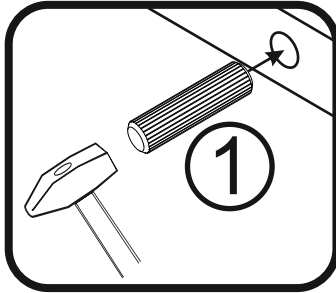
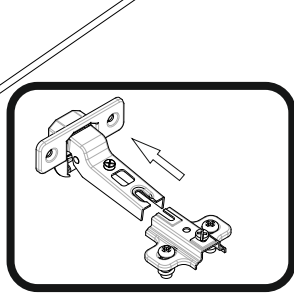
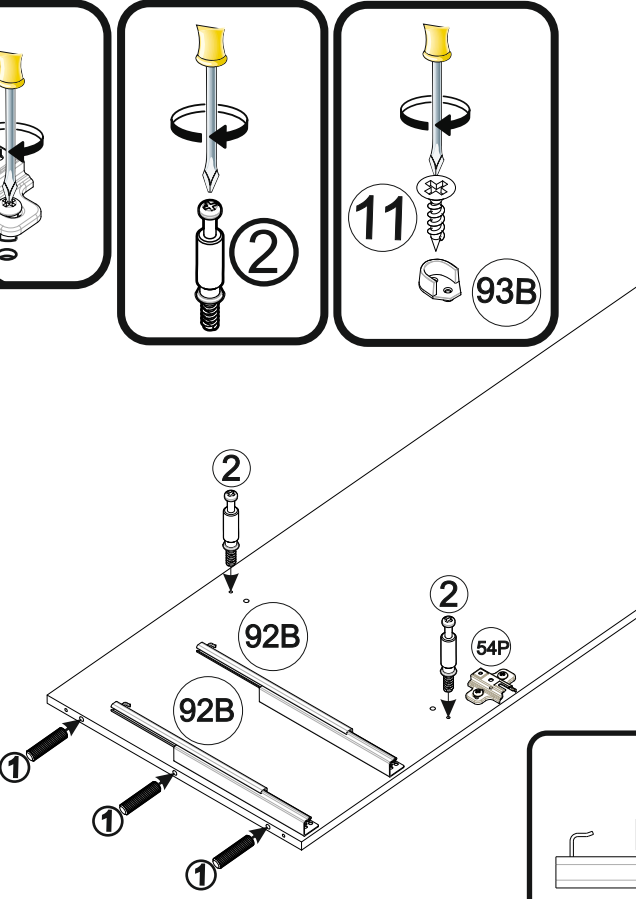
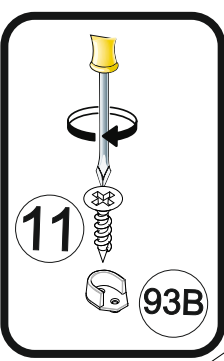
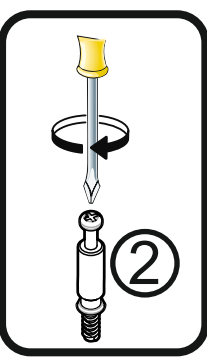
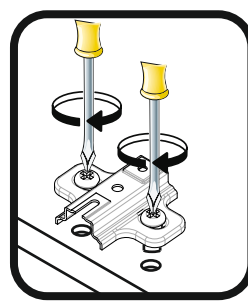
3

- 1**  x6
- 2**  x4
- 11**  3.5x13 x1
- 45**  6,3x13 x4
- 54P**  ø35 x4
- 92A**  x2
- 93C**  x1

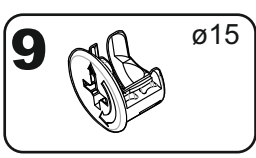
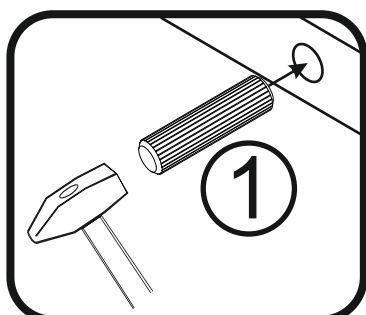
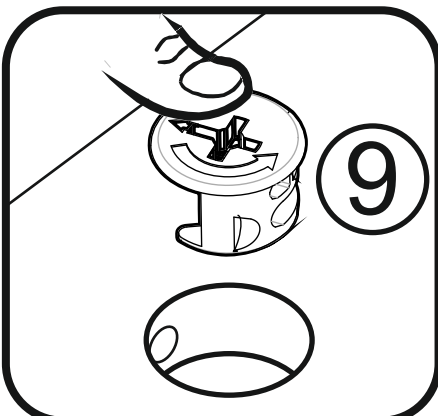
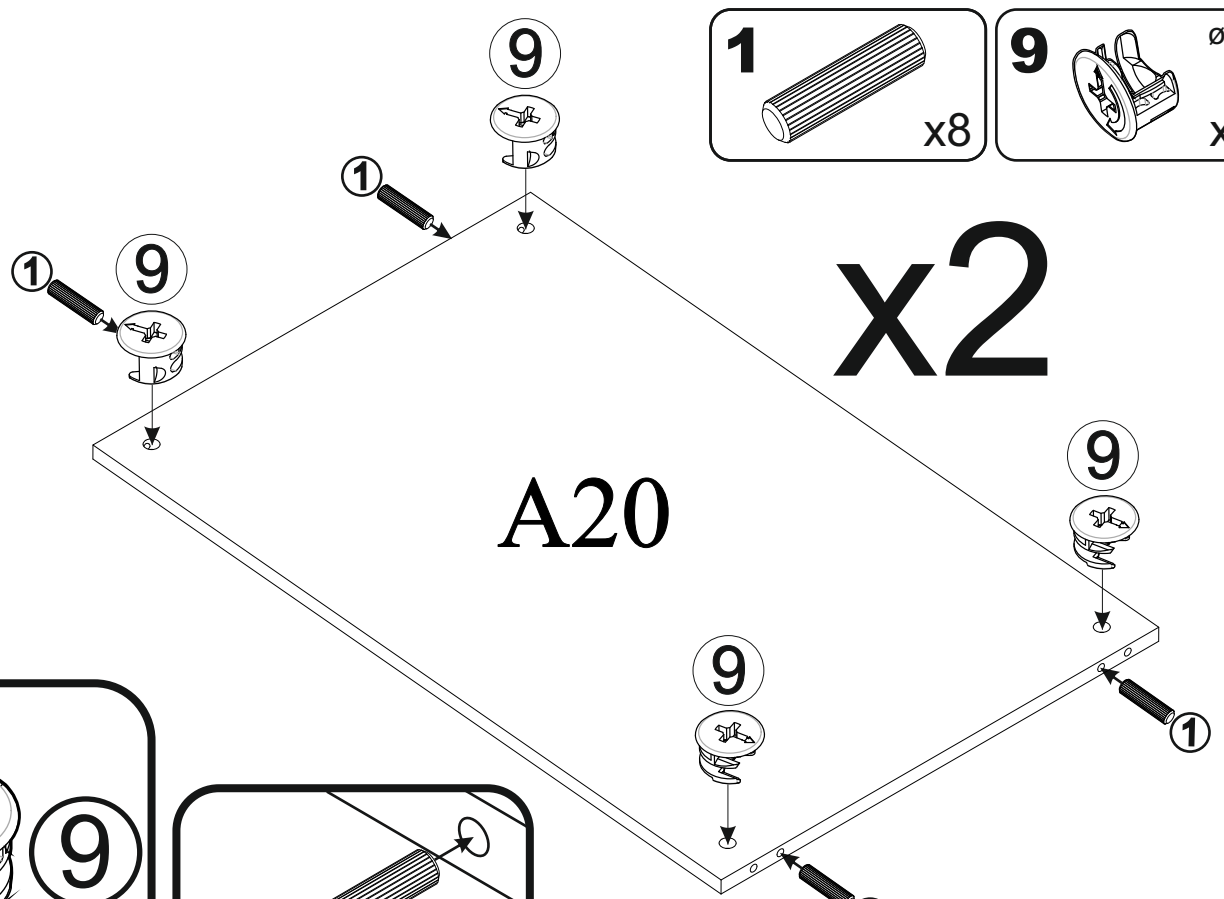
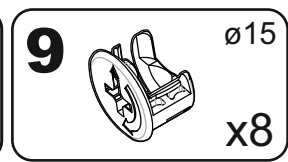
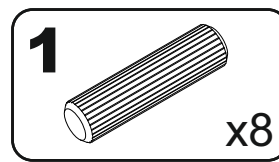


4

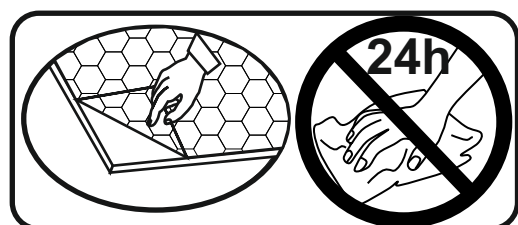
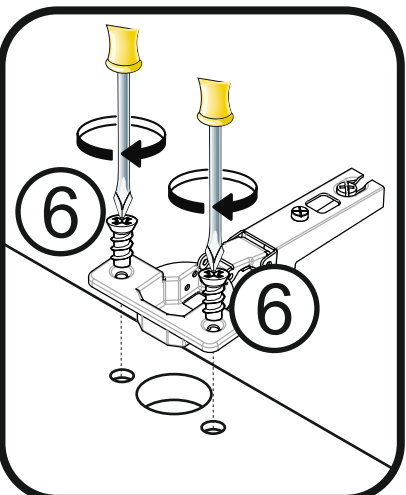
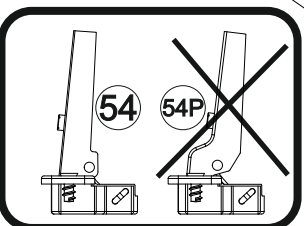
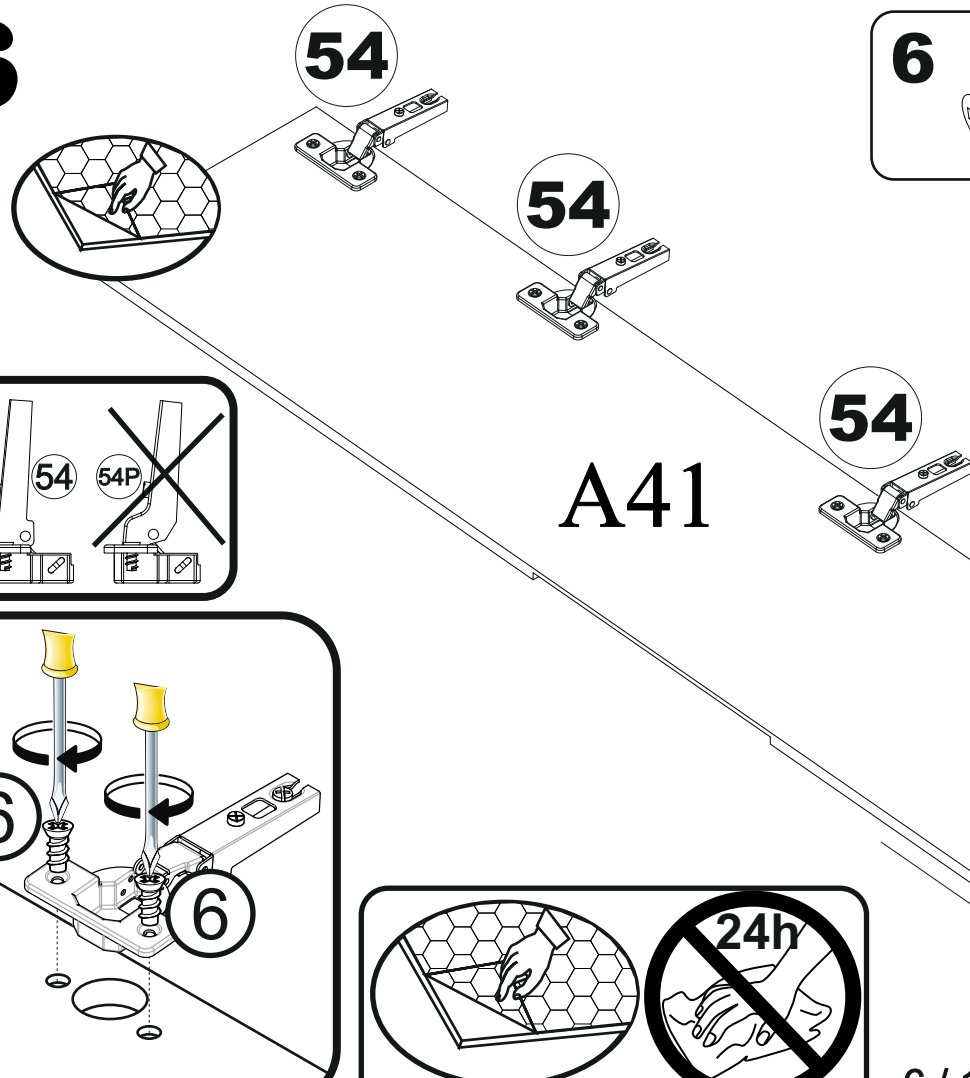
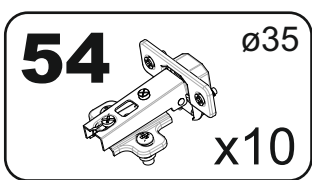
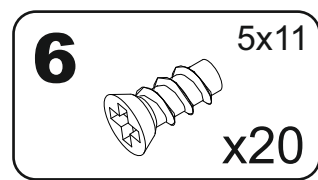
- 1**  x6
- 2**  x4
- 11**  3.5x13 x1
- 45**  6,3x13 x4
- 54P**  ø35 x4
- 92B**  x2
- 93C**  x1



5



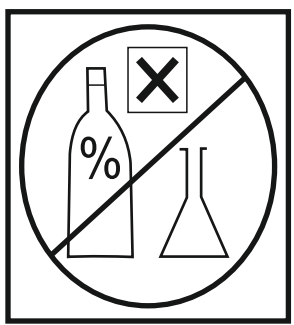
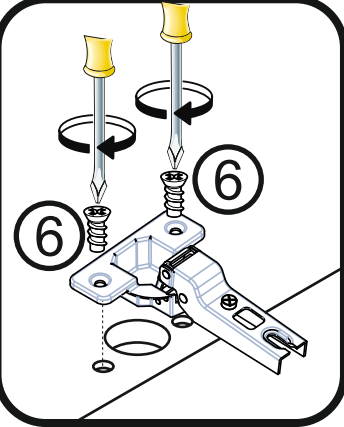
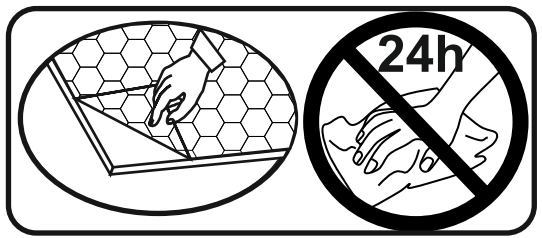
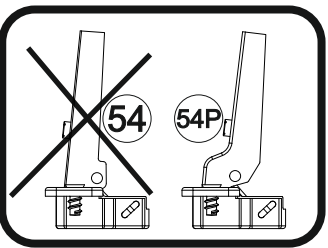
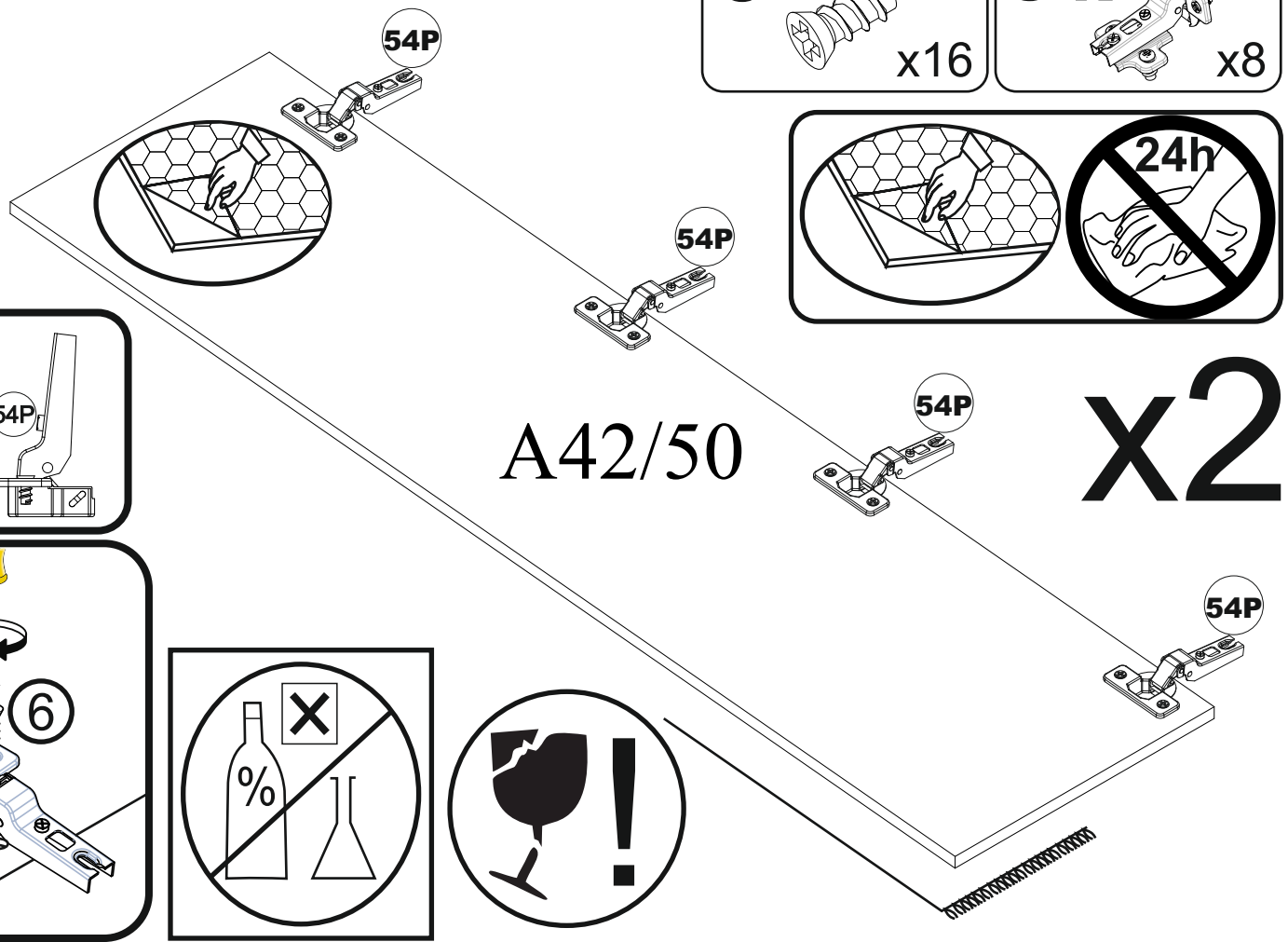
6



7

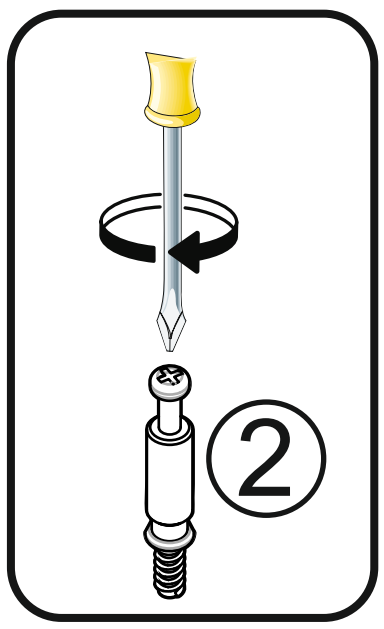
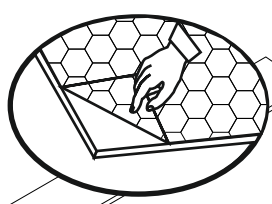
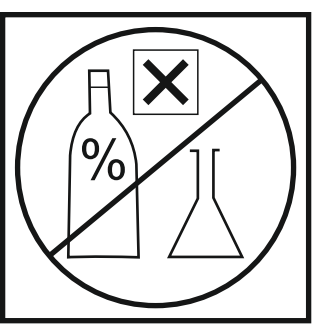
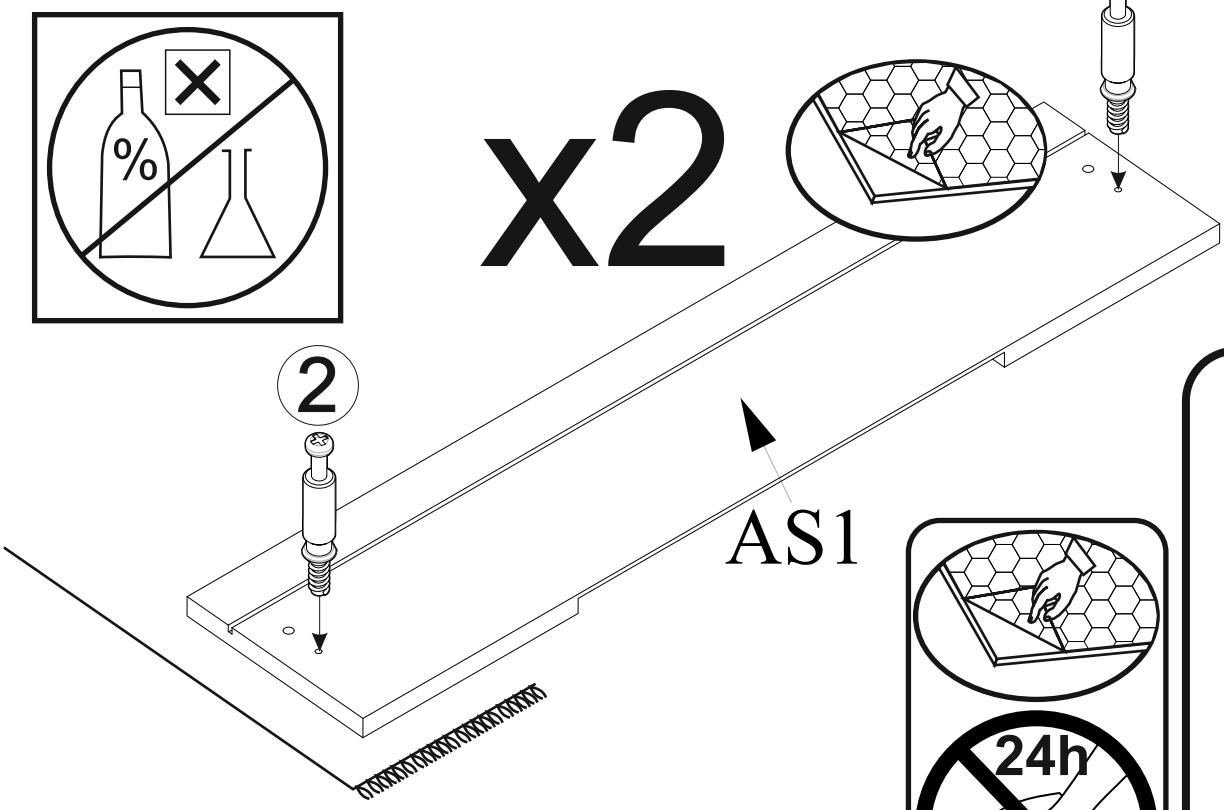
6 5x11
x16

54P ø35
x8

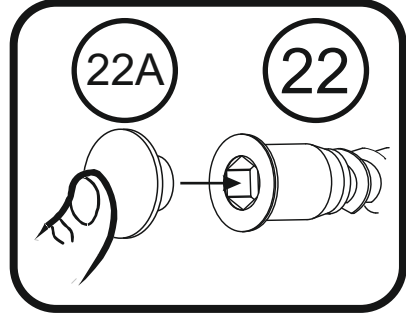
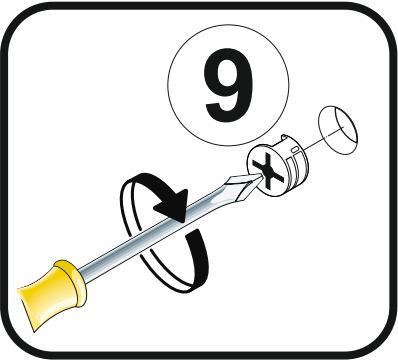
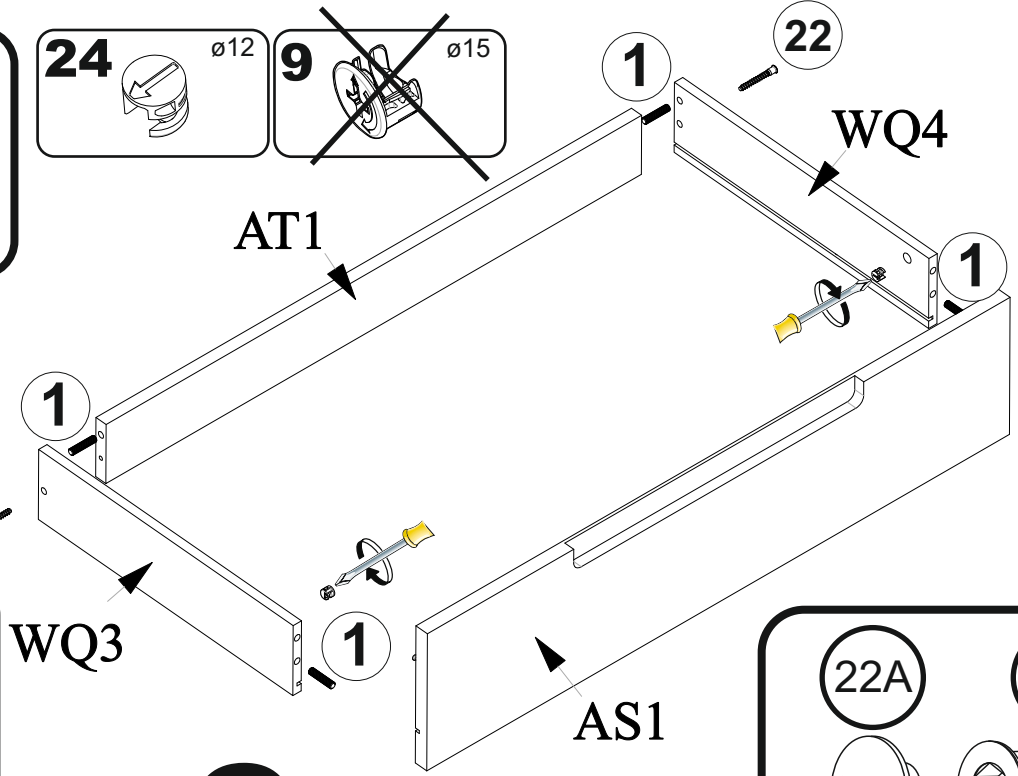
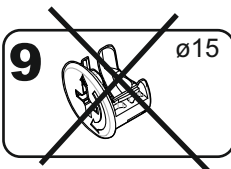
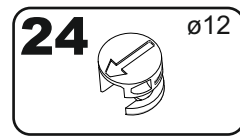
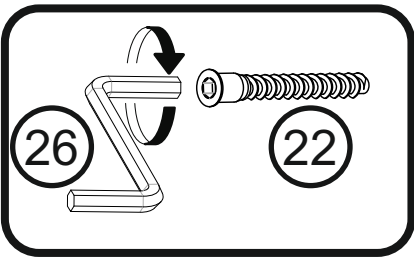
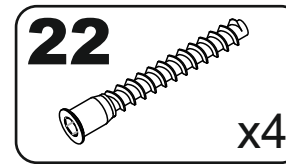
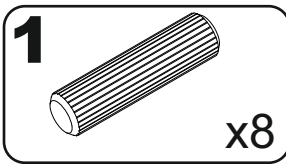


8

2 x4

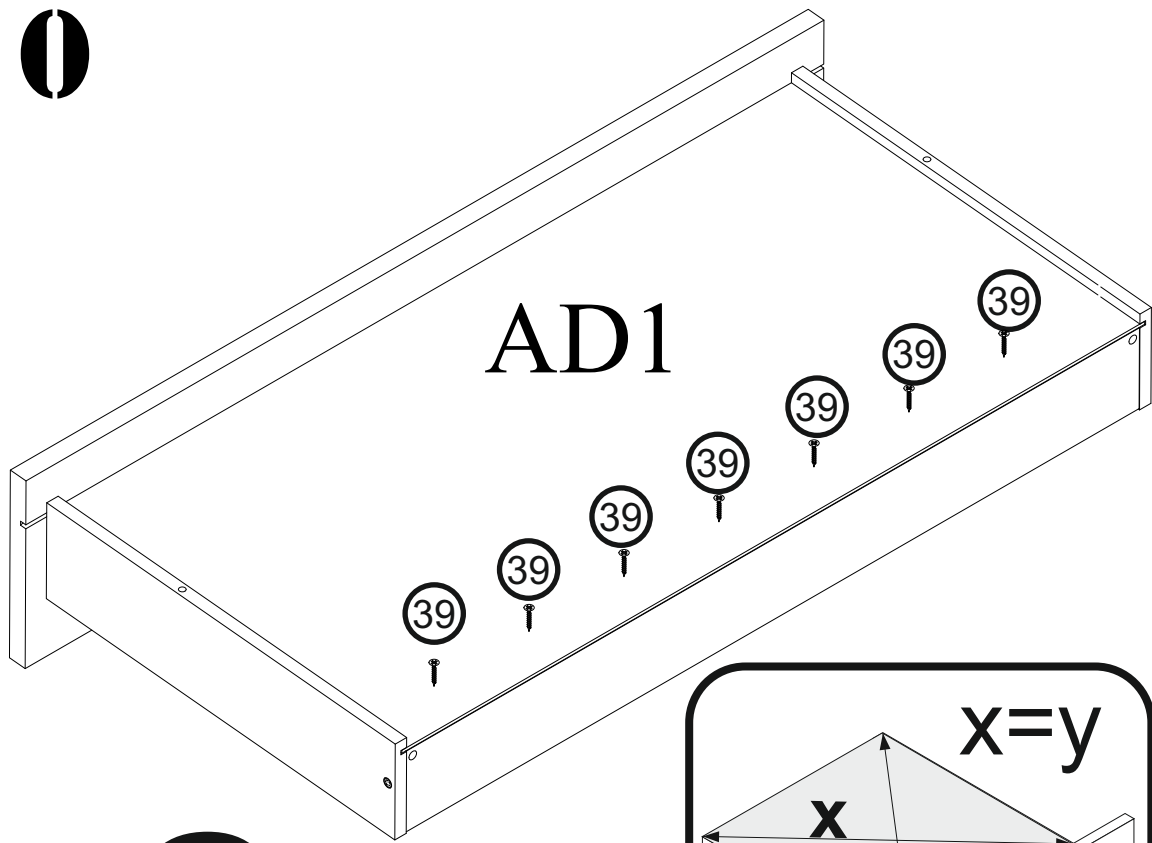
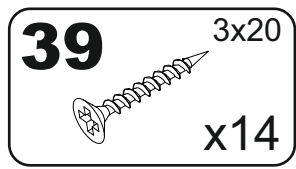


9

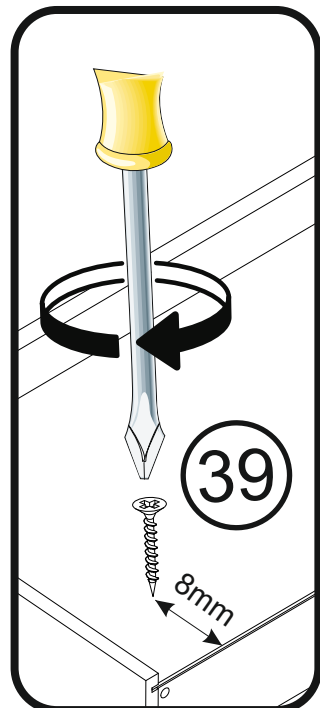
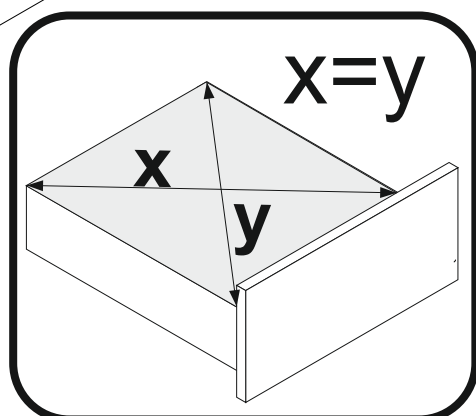


x2

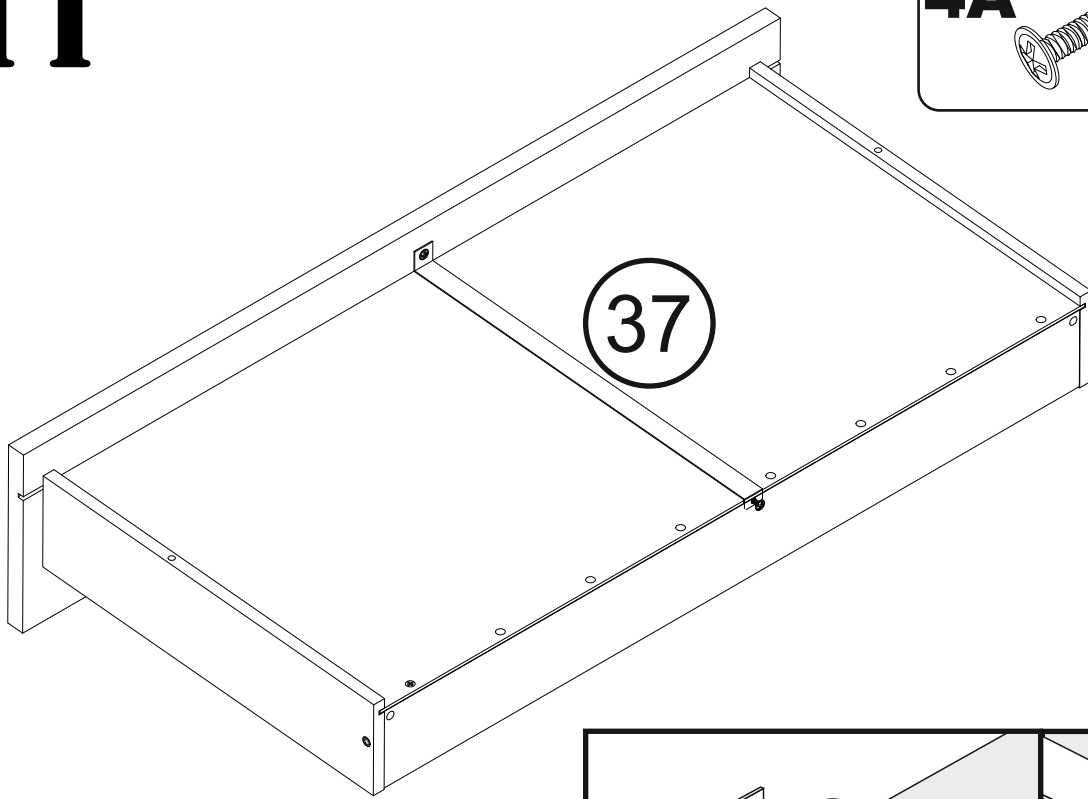
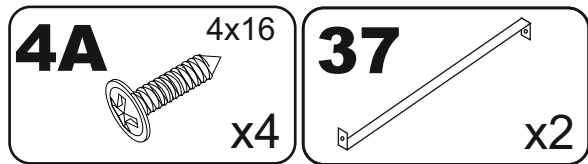
10



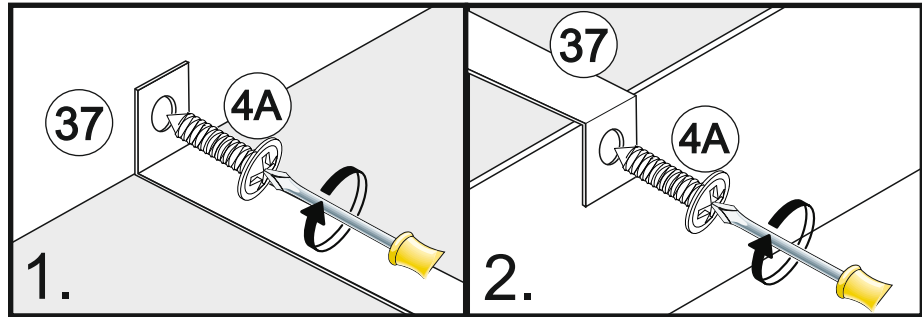
x2



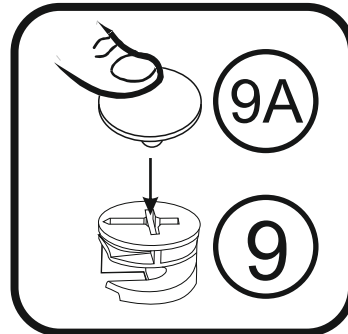
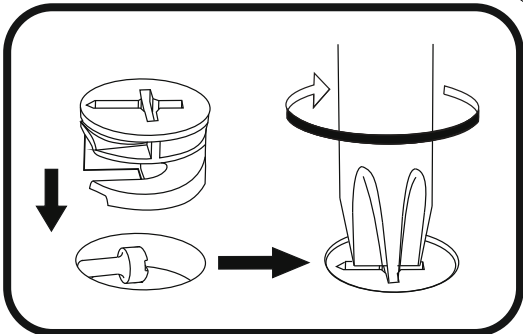
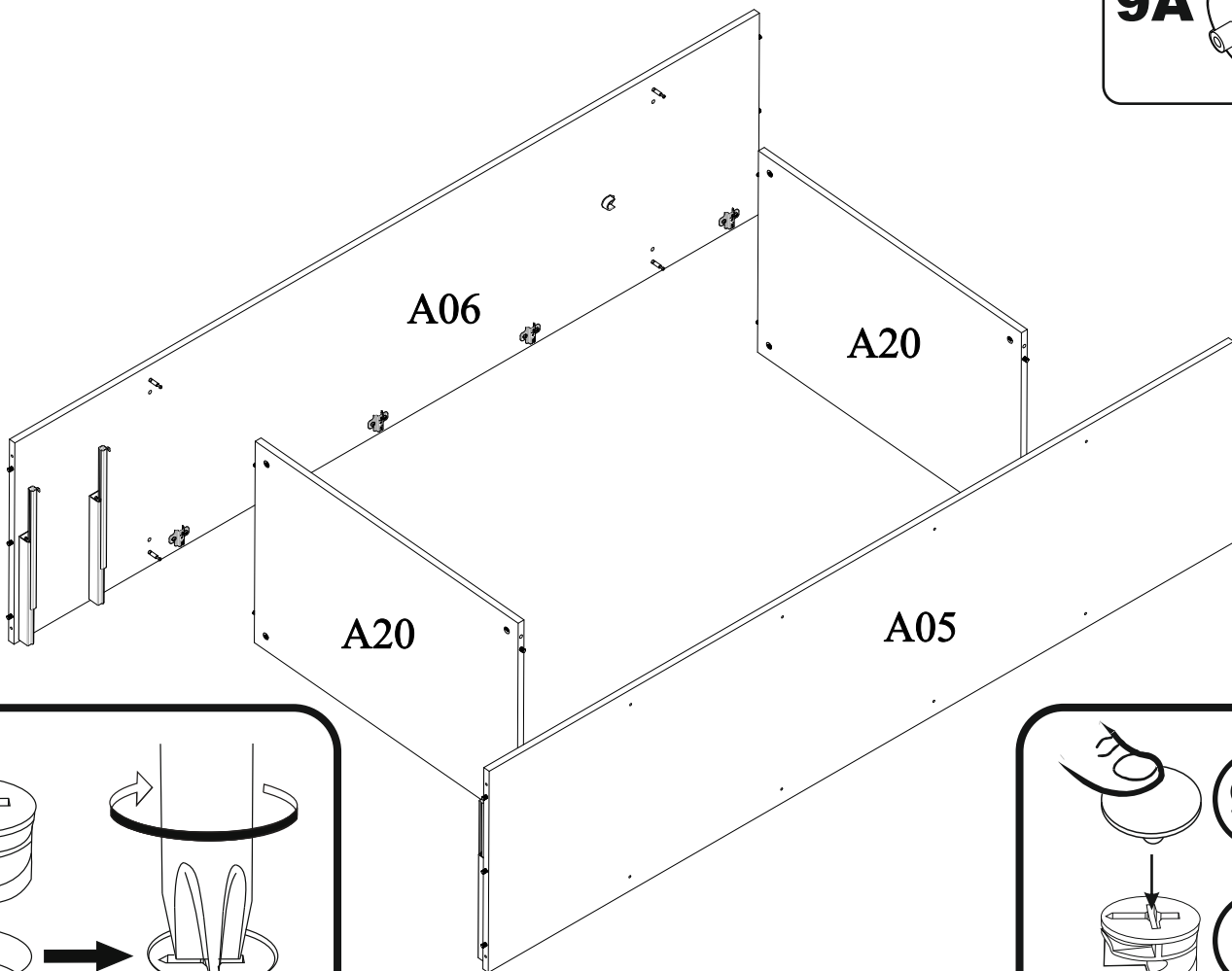
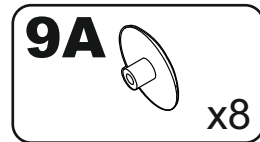
11



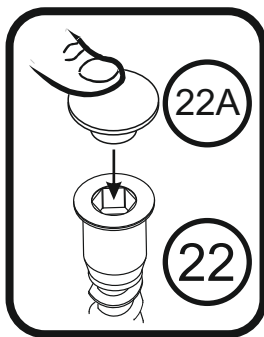
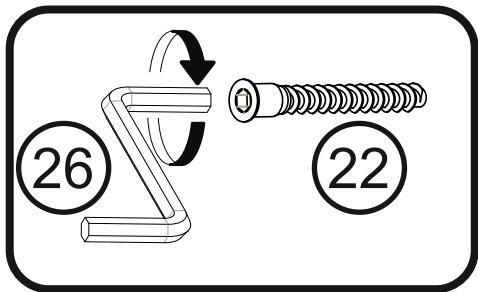
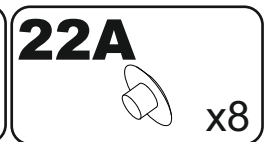
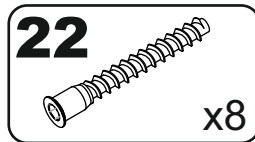
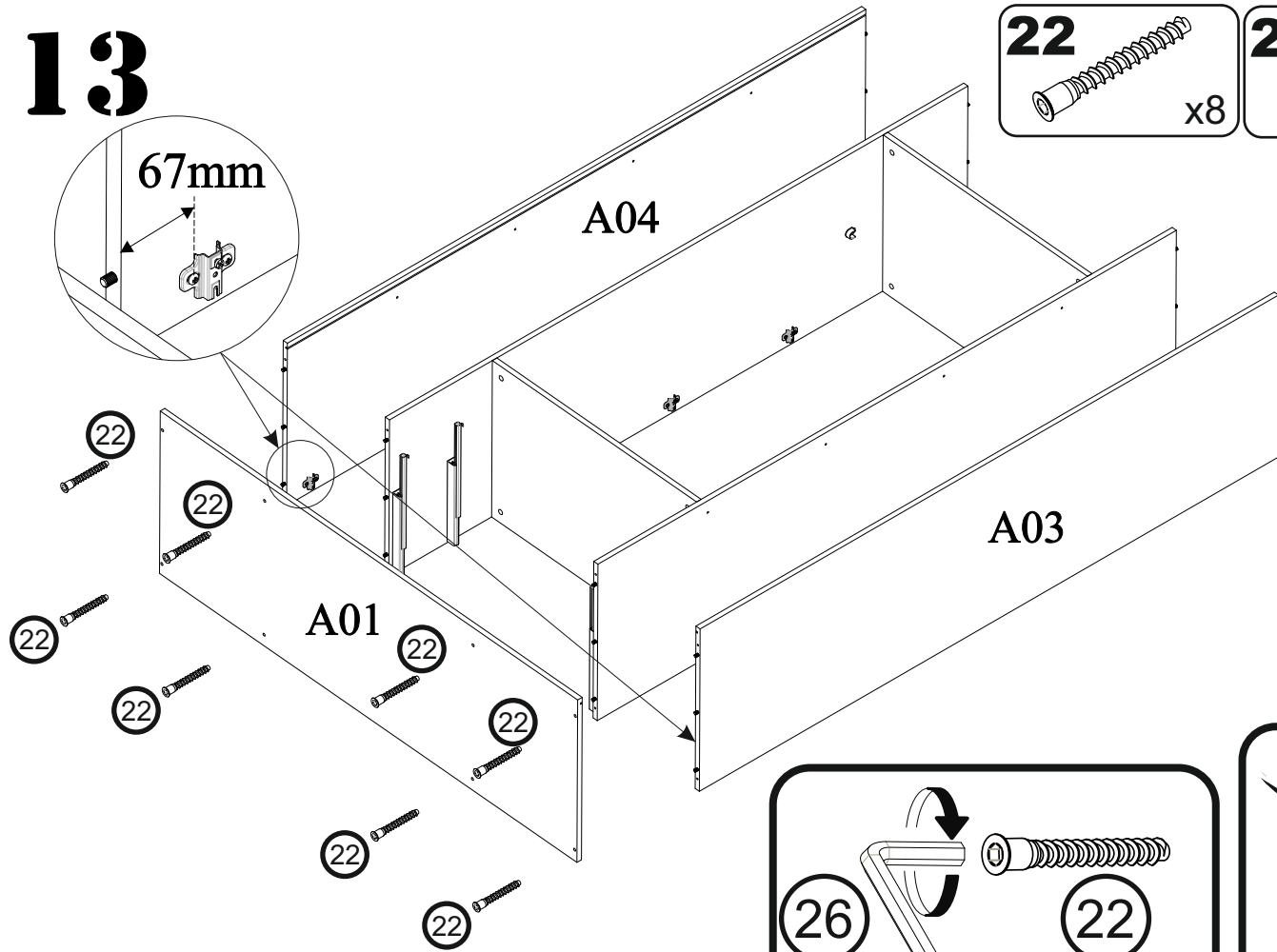
x2



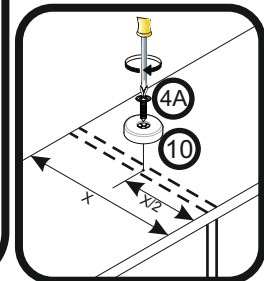
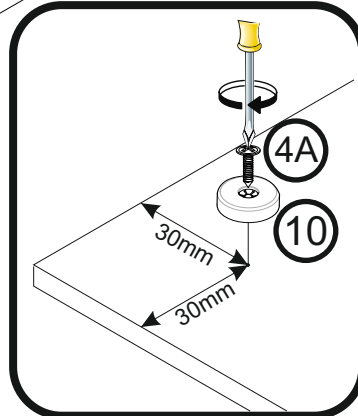
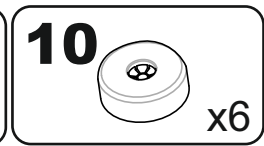
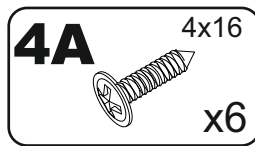
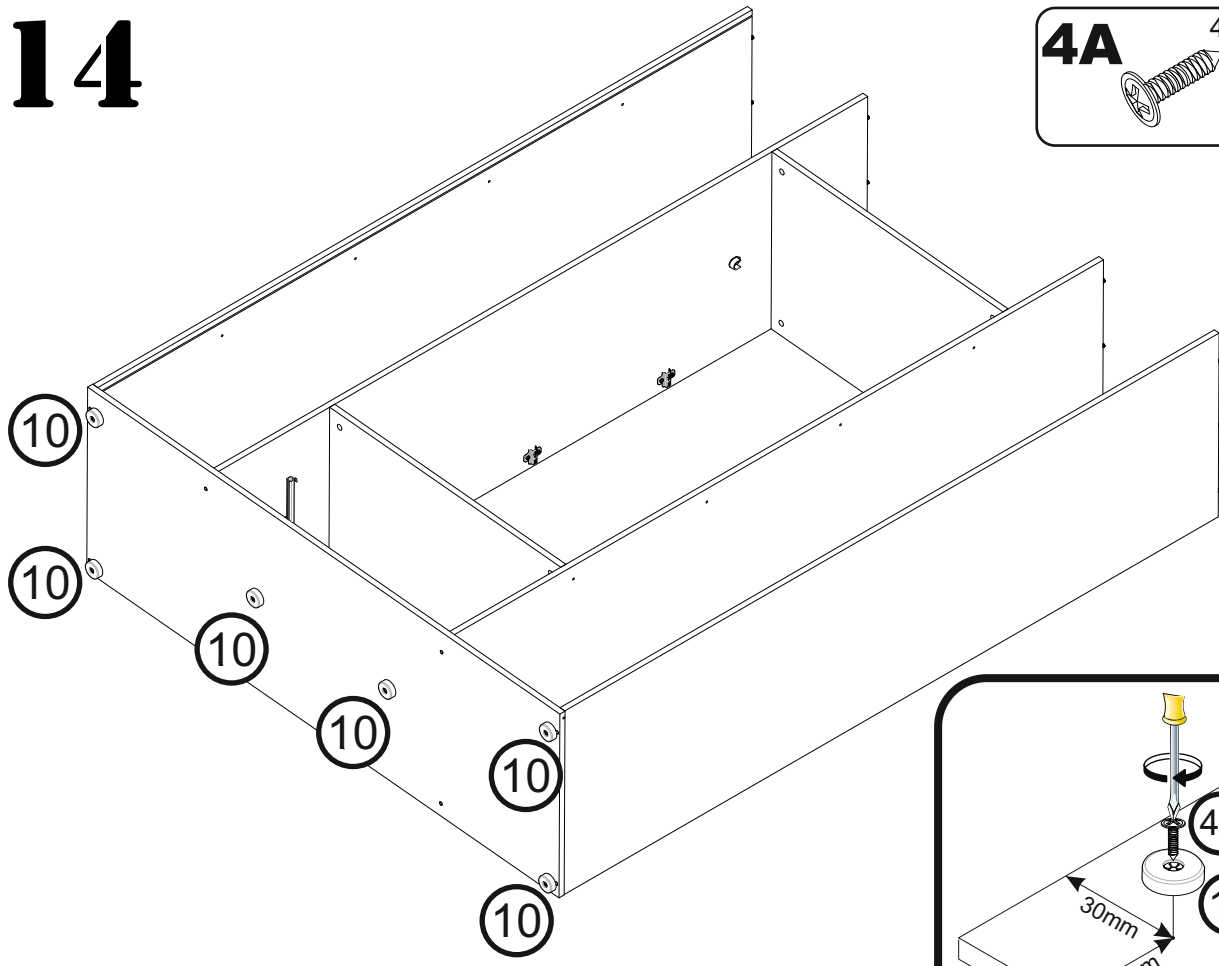
12



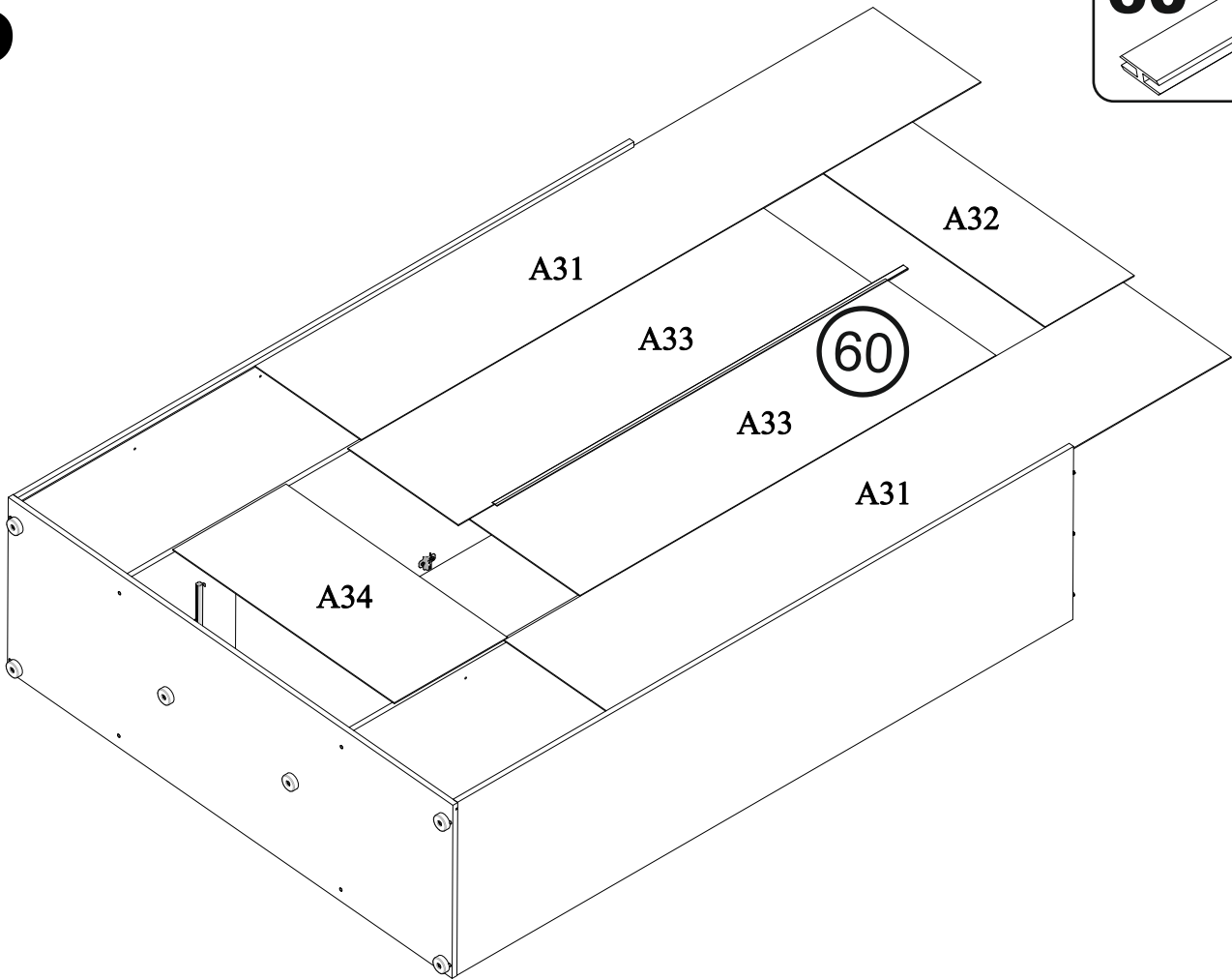
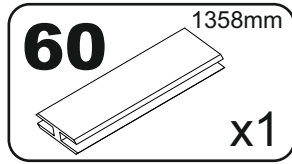
13



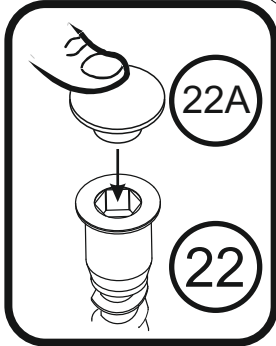
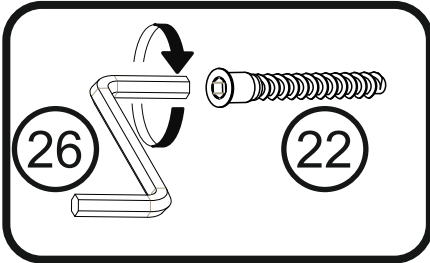
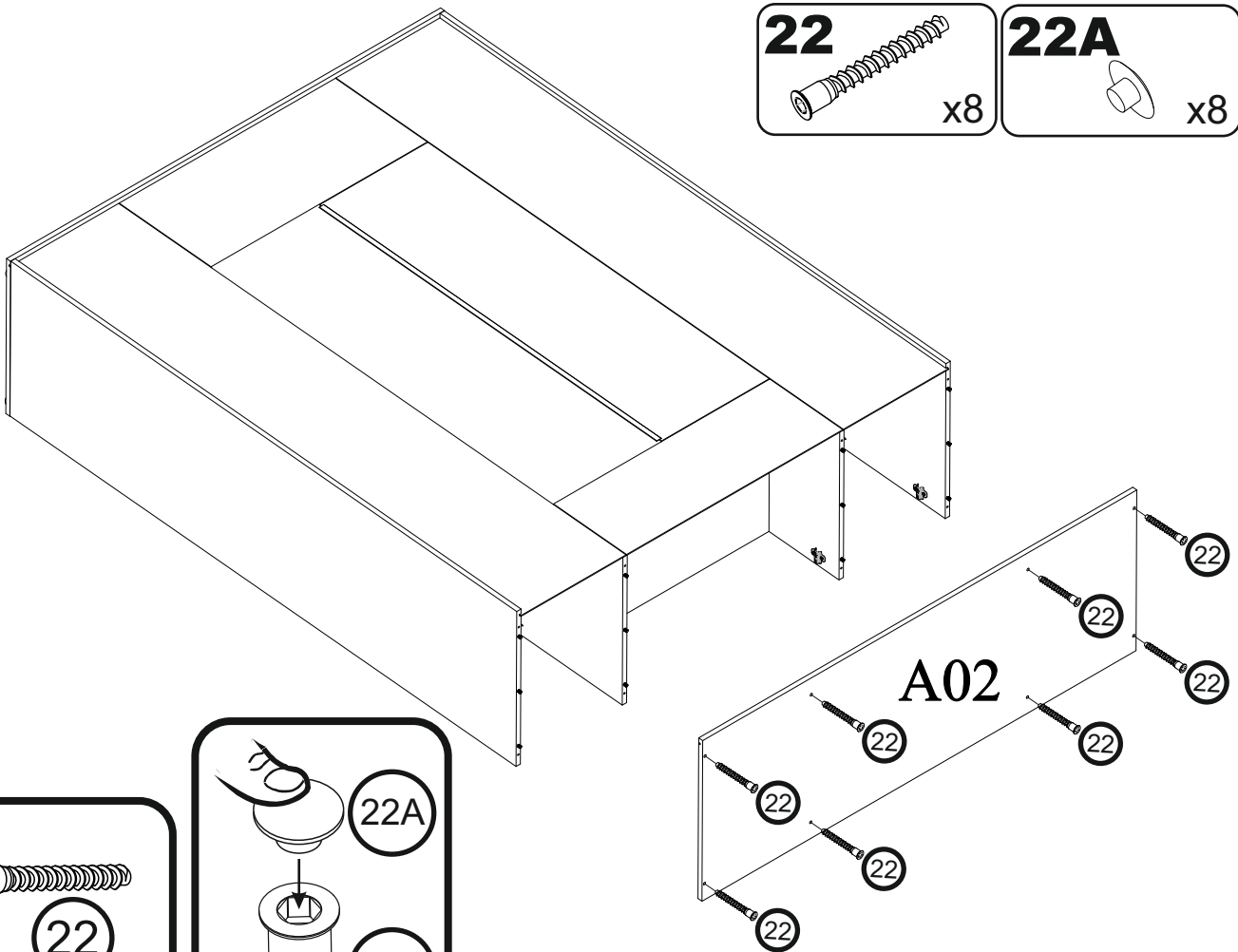
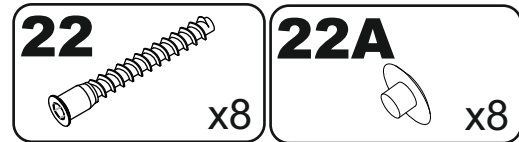
14



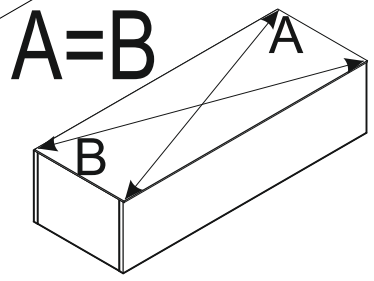
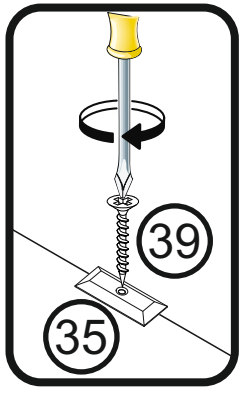
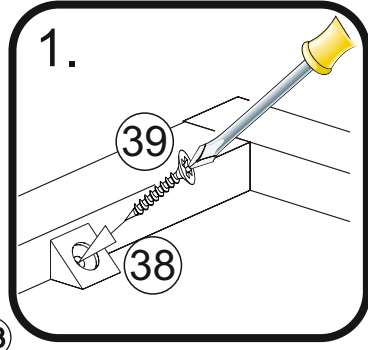
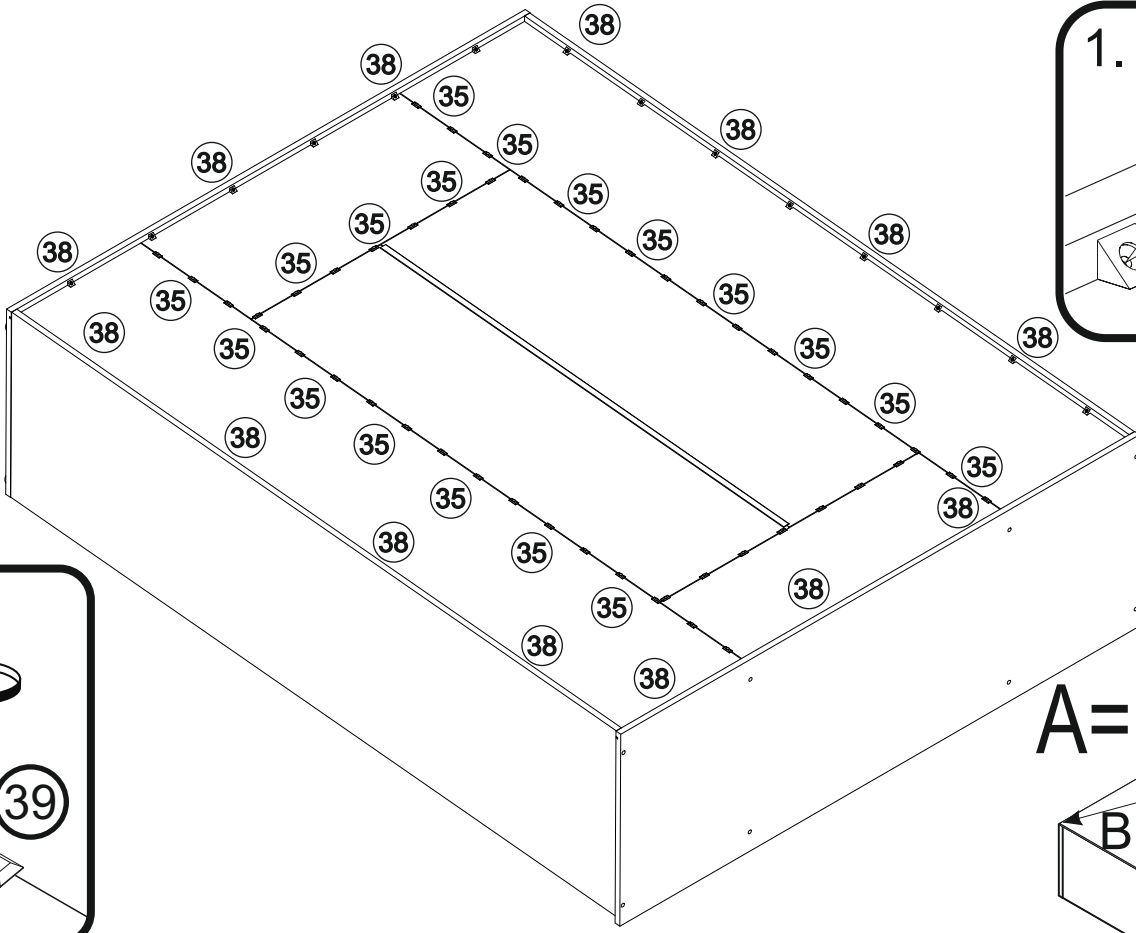
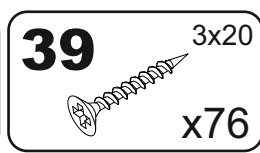
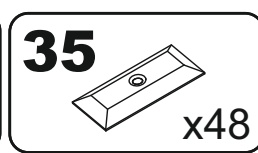
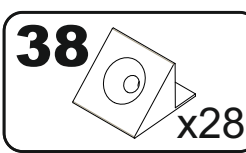
15



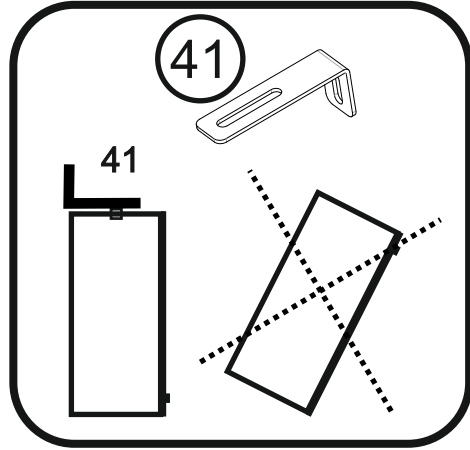
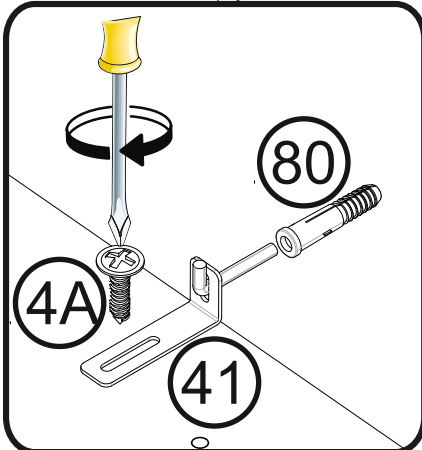
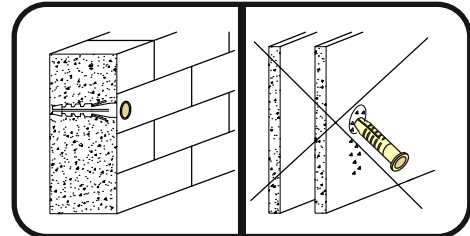
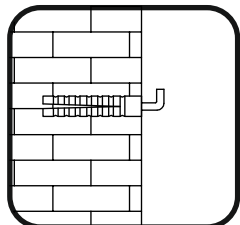
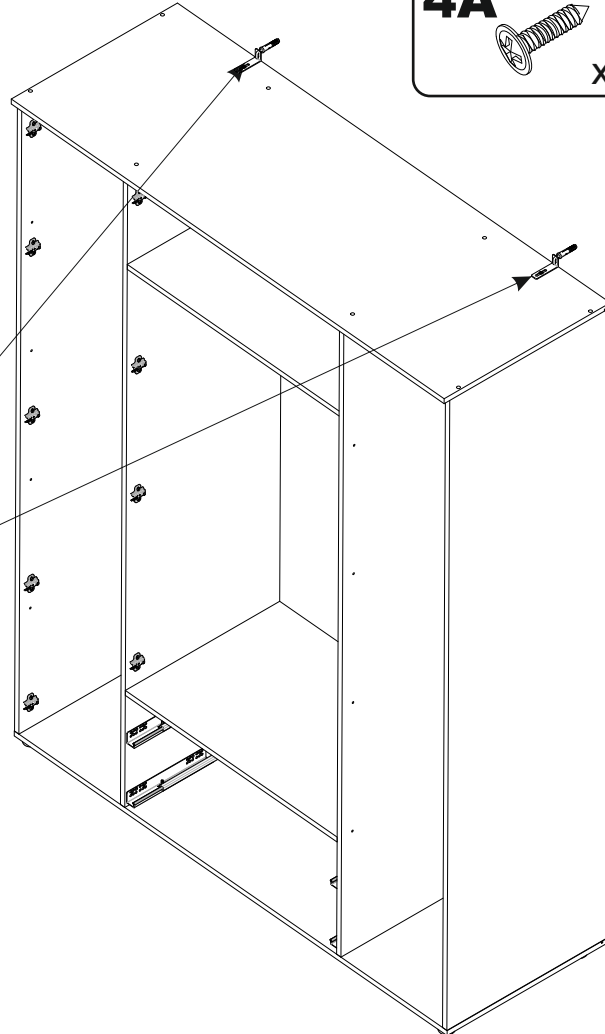
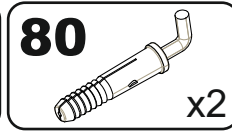
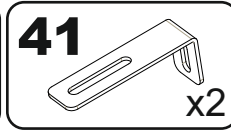
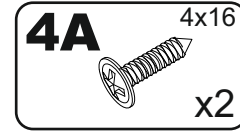
16



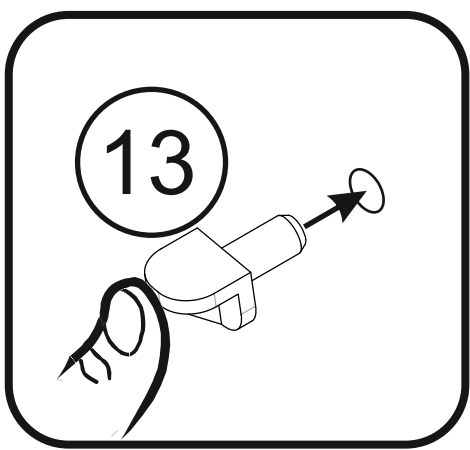
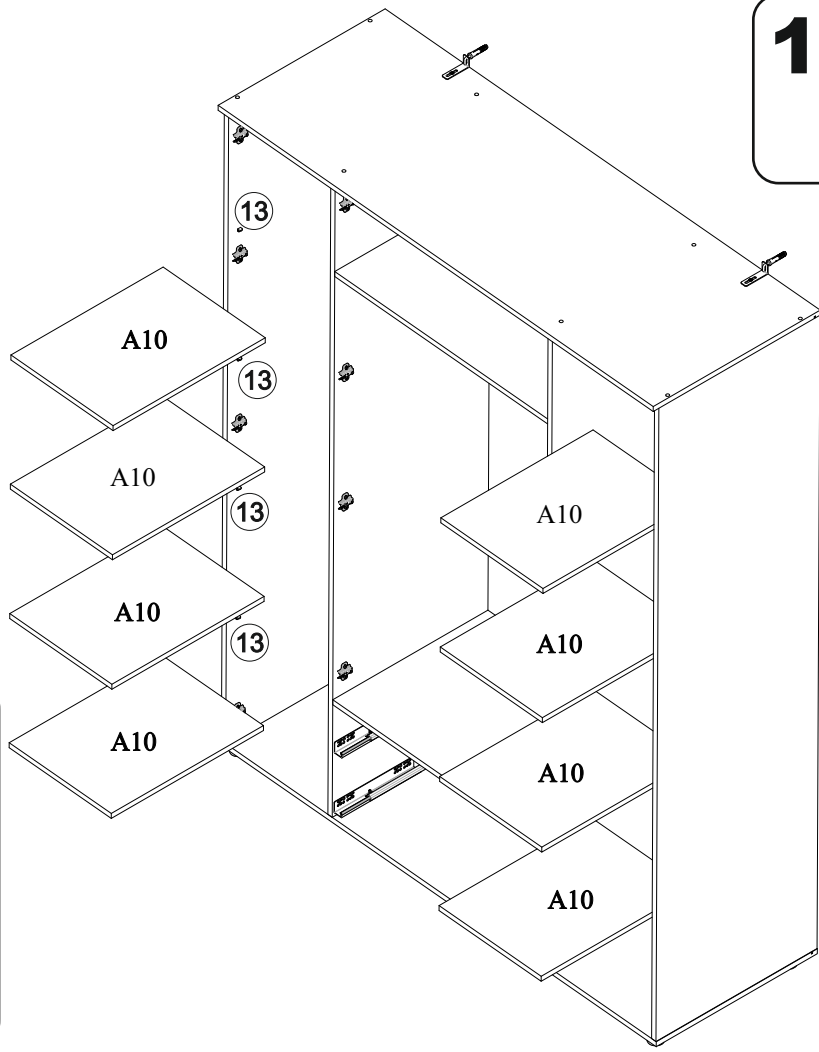
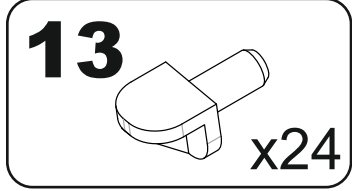
17



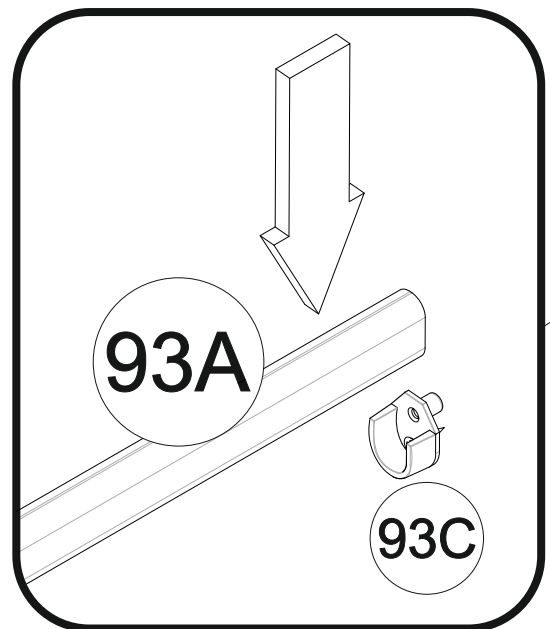
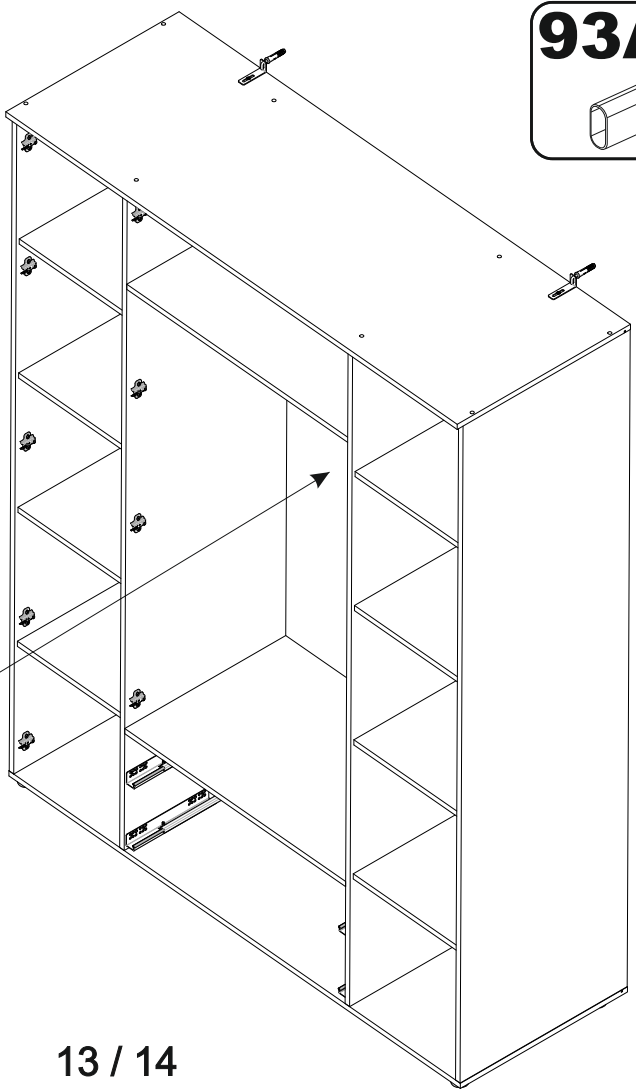
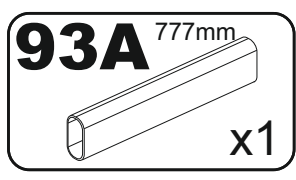
18



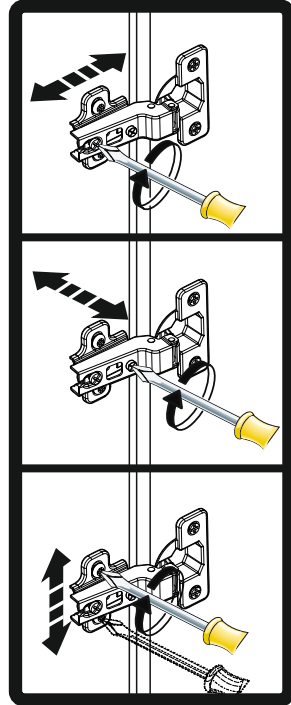
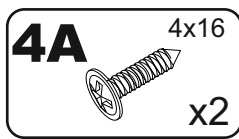
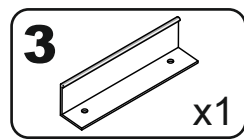
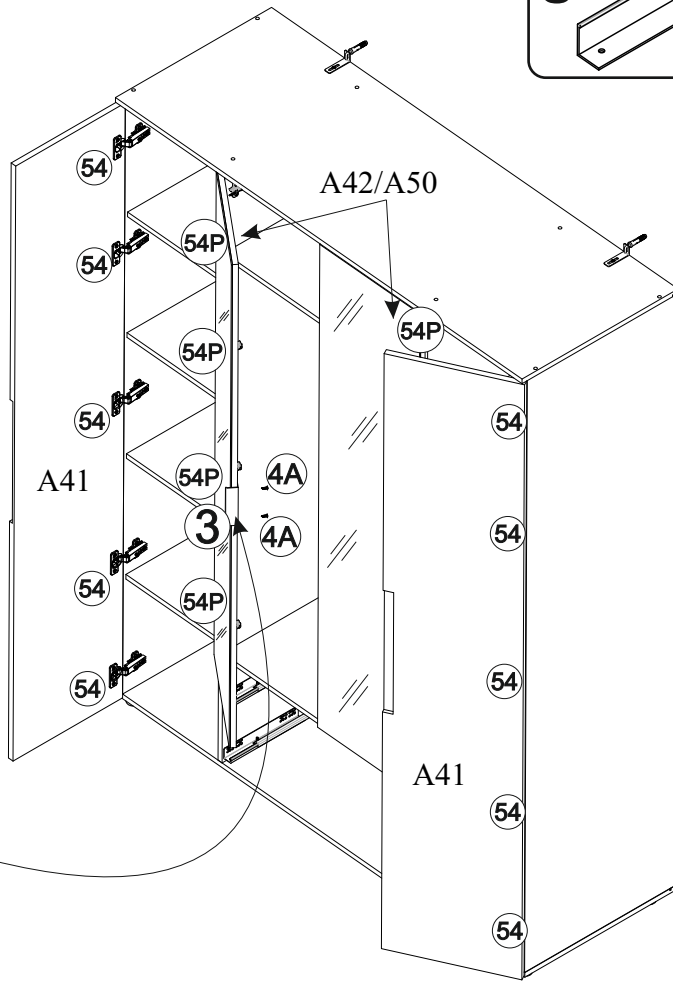
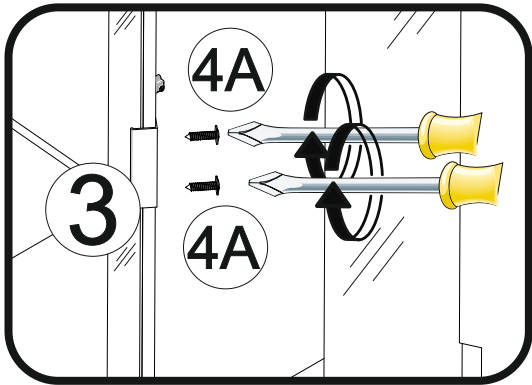
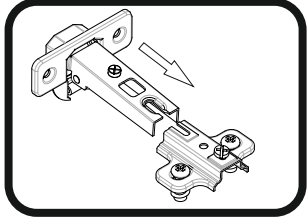
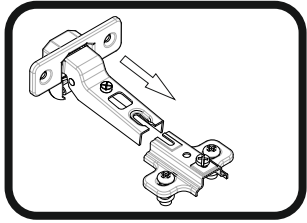
19



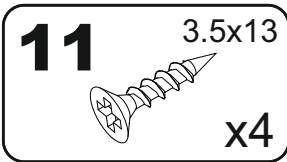
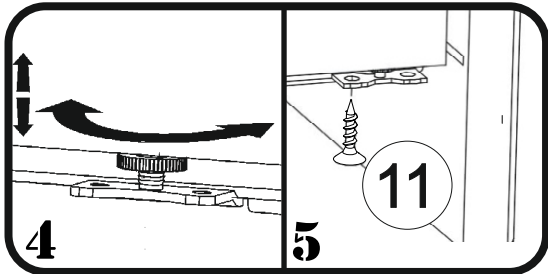
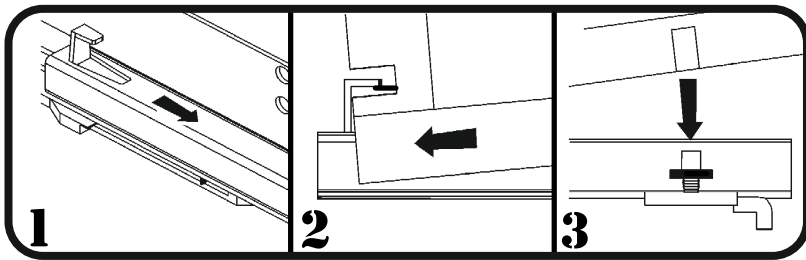
20



21



22



AS1

