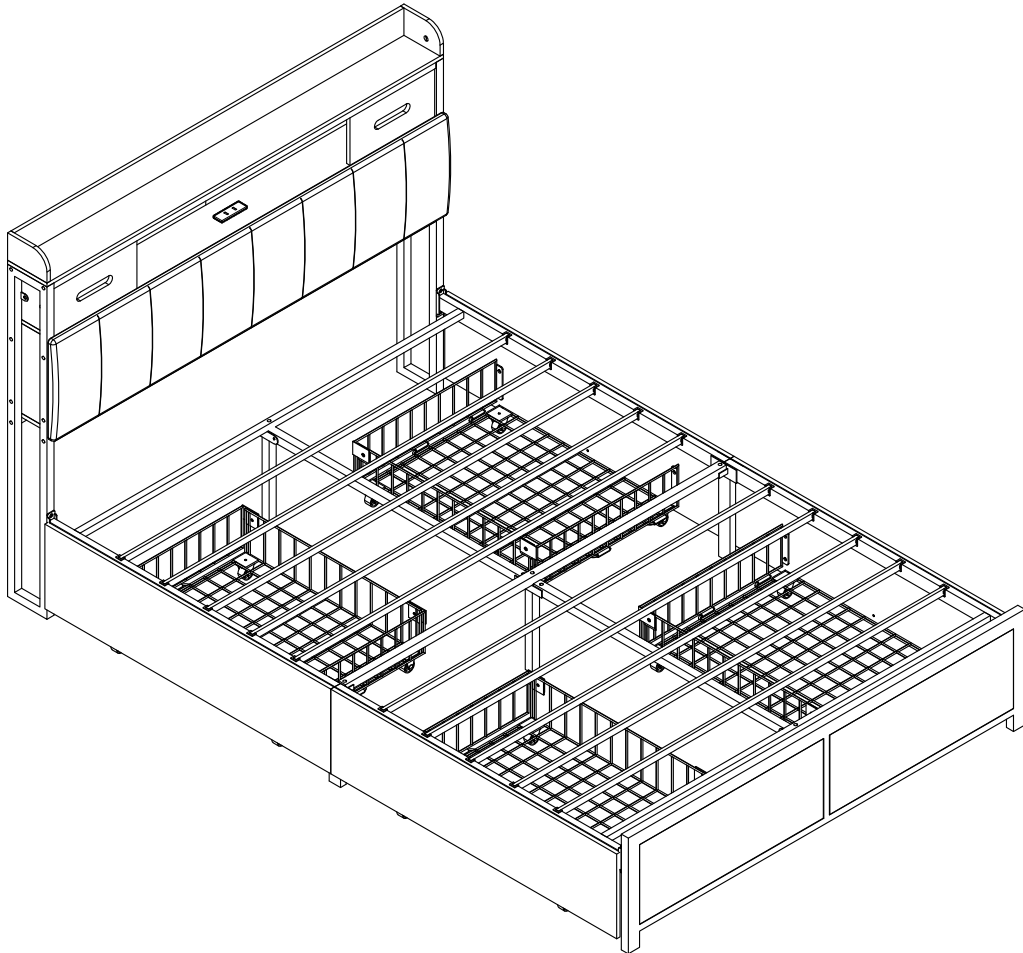
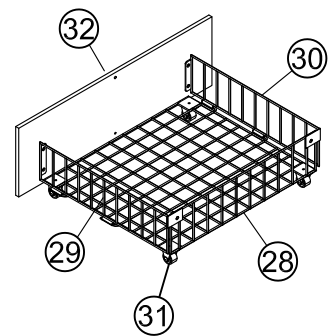
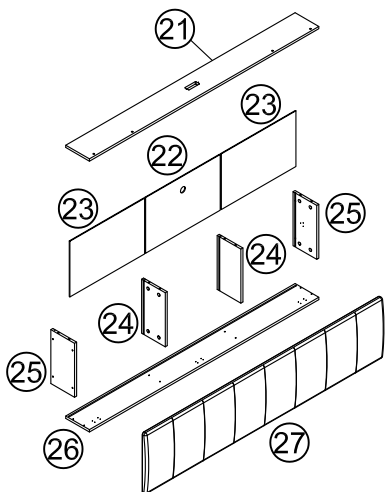
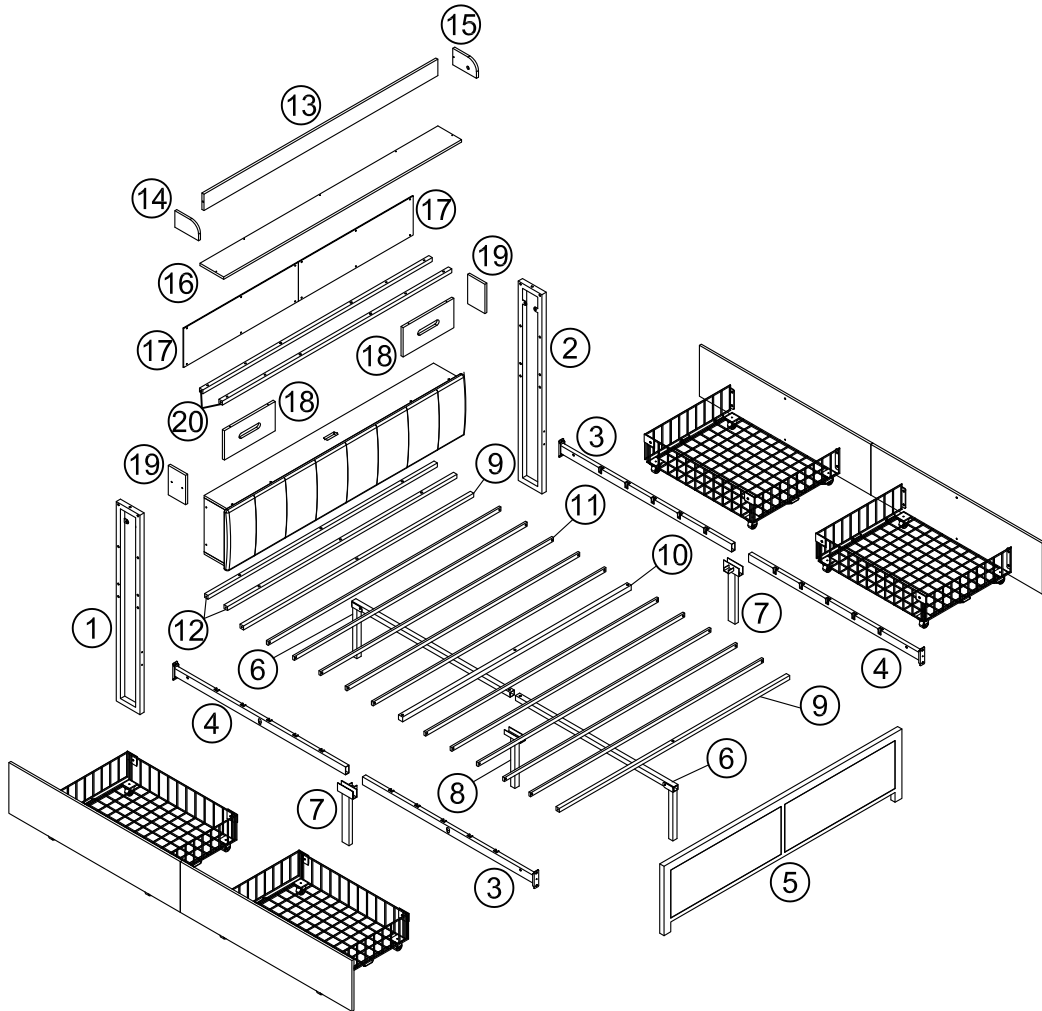


Assembly Instruction
Anleitung
Instructions de montage

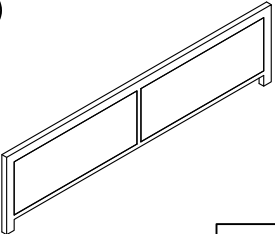
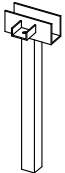
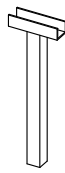
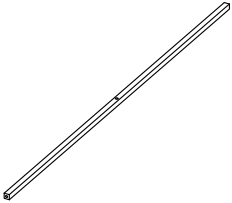
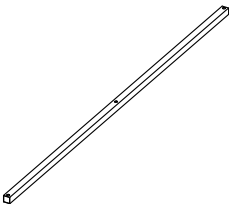
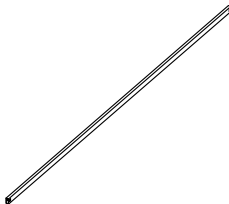
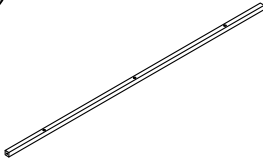
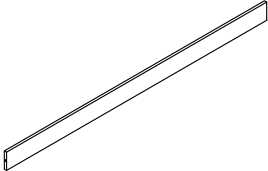
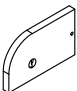
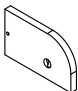
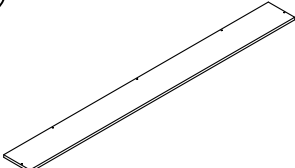
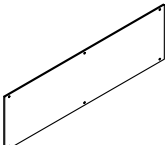
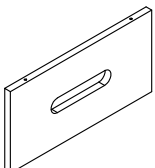
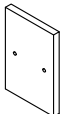
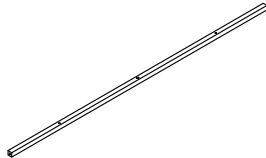
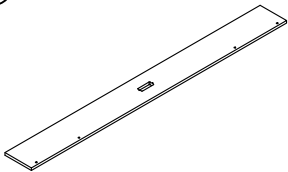
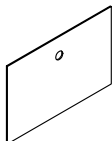
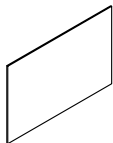
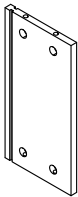

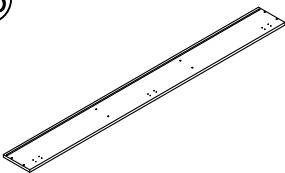
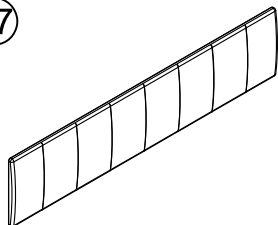

SKU:WF319415
SKU:WF319416



Parts list Teileliste Liste des pièces



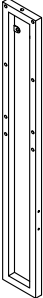

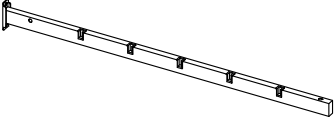
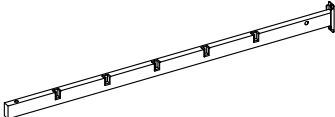
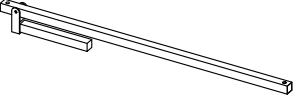
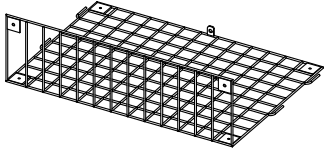
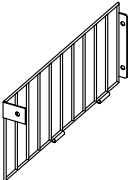
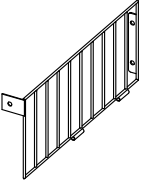
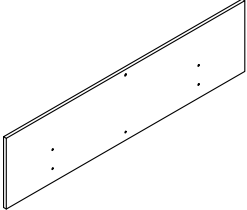
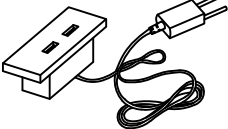

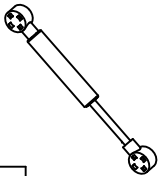
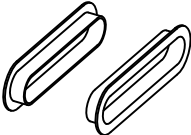
Parts list for WF319416
 Teileliste für WF319416
 Liste des pièces pour WF319416

<p>⑤</p>  <p>X1</p>	<p>⑦</p>  <p>X2</p>	<p>⑧</p>  <p>X1</p>	<p>⑨</p>  <p>X2</p>
<p>⑩</p>  <p>X1</p>	<p>⑪</p>  <p>X10</p>	<p>⑫</p>  <p>X2</p>	<p>⑬</p>  <p>X1</p>
<p>⑭</p>  <p>X1</p>	<p>⑮</p>  <p>X1</p>	<p>⑯</p>  <p>X1</p>	<p>⑰</p>  <p>X2</p>
<p>⑱</p>  <p>X2</p>	<p>⑲</p>  <p>X2</p>	<p>⑳</p>  <p>X2</p>	<p>㉑</p>  <p>X1</p>
<p>㉒</p>  <p>X1</p>	<p>㉓</p>  <p>X2</p>	<p>㉔</p>  <p>X2</p>	<p>㉕</p>  <p>X2</p>
<p>㉖</p>  <p>X1</p>	<p>㉗</p>  <p>X1</p>	<p>㉘</p>  <p>X16</p>	

Parts list for WF319415

Teileliste für WF319415

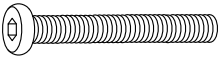
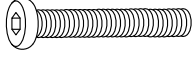
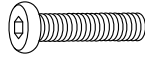
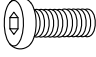
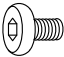
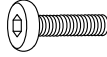
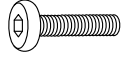

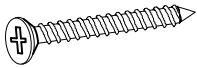
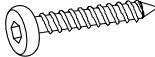

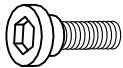




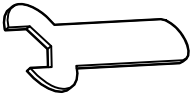

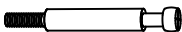


Liste des pièces pour WF319415

<p>①</p>  <p>X1</p>	<p>②</p>  <p>X1</p>	<p>③</p>  <p>X2</p>	<p>④</p>  <p>X2</p>								
<p>⑥</p>  <p>X2</p>	<p>⑳</p>  <p>X4</p>	<p>㉔</p>  <p>X4</p>	<p>㉖</p>  <p>X4</p>								
<p>㉘</p>  <p>X4</p>											
<p>Ⓥ</p>  <p>X1</p>	<p>Ⓦ</p>  <p>X3</p>	<p>Ⓧ</p>  <p>X2</p>	<p>Ⓨ</p>  <p>X2</p>								
<table border="1"> <tbody> <tr> <td data-bbox="798 1989 874 2056">Ⓧ①</td> <td data-bbox="874 1989 986 2056">Ⓧ②</td> </tr> <tr> <td data-bbox="798 2056 874 2121">x4</td> <td data-bbox="874 2056 986 2121">x10</td> </tr> <tr> <td data-bbox="798 2056 874 2121">Ⓧ③</td> <td data-bbox="874 2056 986 2121">Ⓧ④</td> </tr> <tr> <td data-bbox="798 2121 874 2121">x2</td> <td data-bbox="874 2121 986 2121">x2</td> </tr> </tbody> </table>				Ⓧ①	Ⓧ②	x4	x10	Ⓧ③	Ⓧ④	x2	x2
Ⓧ①	Ⓧ②										
x4	x10										
Ⓧ③	Ⓧ④										
x2	x2										

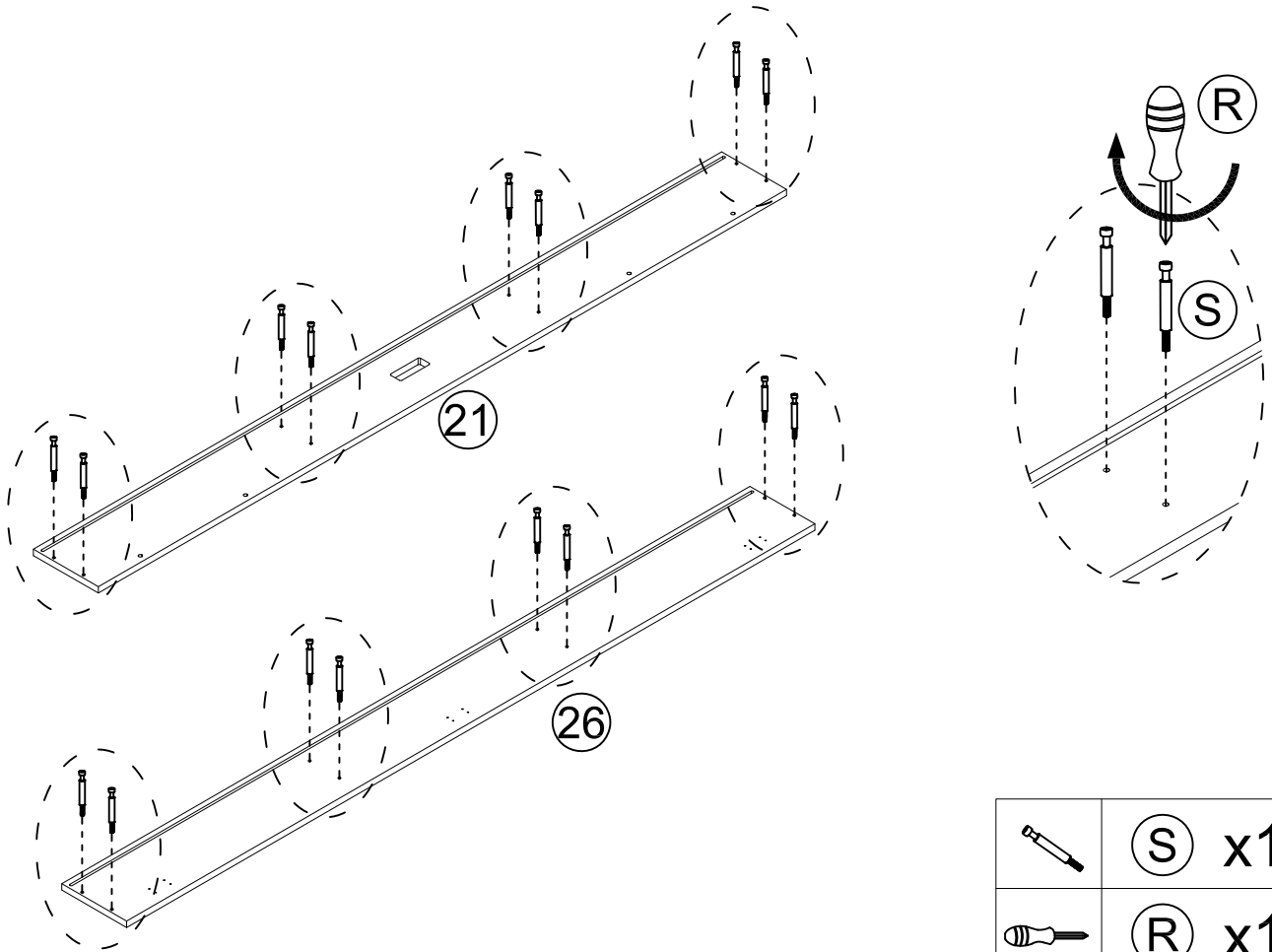
Hardware list for WF319415



Hardware für WF319415

Liste du matériel pour WF319415

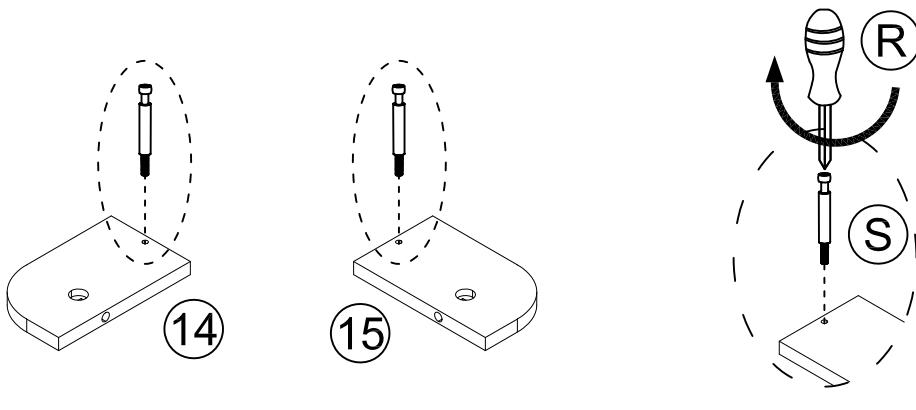
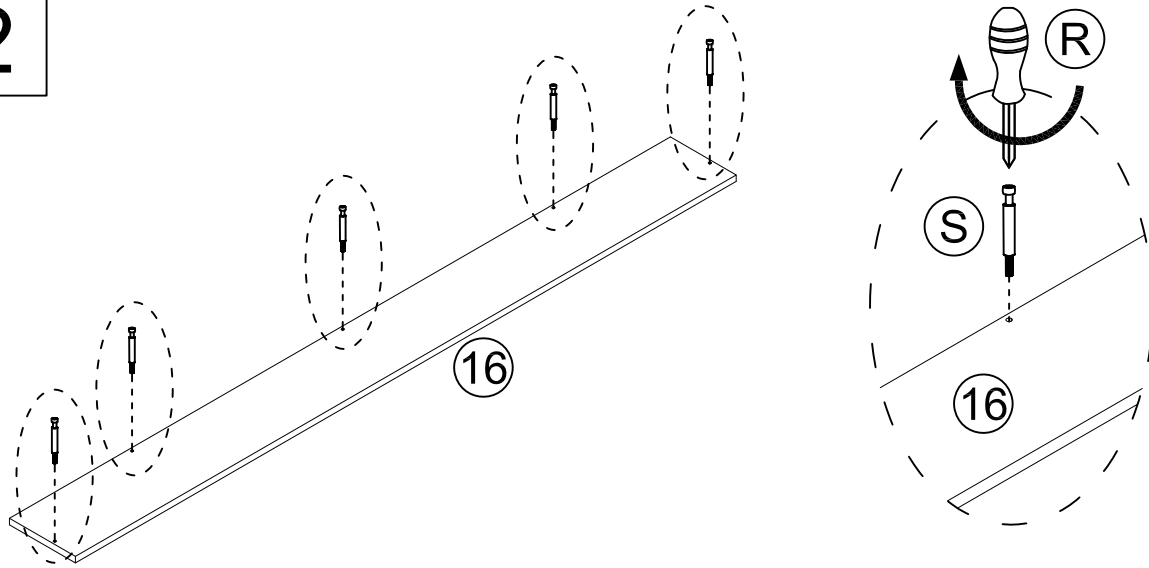
<p>(A)</p>  <p>M8x60mm</p> <p>X3</p>	<p>(B)</p>  <p>M8x50mm</p> <p>X4</p>	<p>(C)</p>  <p>M8x35mm</p> <p>X16</p>	<p>(D)</p>  <p>M8x20mm</p> <p>X8</p>
<p>(E)</p>  <p>M6x12mm</p> <p>X32</p>	<p>(F)</p>  <p>M6x30mm</p> <p>X7</p>	<p>(G)</p>  <p>M6x35mm</p> <p>X10</p>	<p>(H)</p>  <p>M3x12mm</p> <p>X2</p>
<p>(I)</p>  <p>M5x50mm</p> <p>X4</p>	<p>(J)</p>  <p>M5x35mm</p> <p>X4</p>	<p>(K)</p>  <p>M5x15mm</p> <p>X12</p>	<p>(L)</p>  <p>M8x16mm</p> <p>X4</p>
<p>(M)</p>  <p>Ø17*Ø8.5*2</p> <p>X7</p>	<p>(N)</p>  <p>M6</p> <p>X8</p>	<p>(O)</p>  <p>M4</p> <p>X1</p>	<p>(P)</p>  <p>M5</p> <p>X1</p>
<p>(Q)</p>  <p>X1</p>	<p>(R)</p>  <p>X1</p>	<p>(S)</p>  <p>X23</p>	<p>(T)</p>  <p>X23</p>
<p>(U)</p>  <p>X16</p>			



1



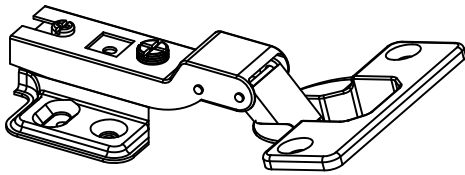
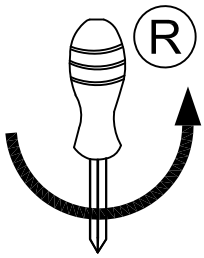
	(S) x16
	(R) x1

2

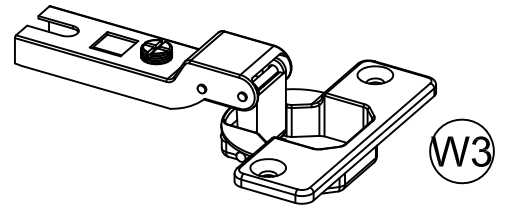


	(S) x7
	(R) x1

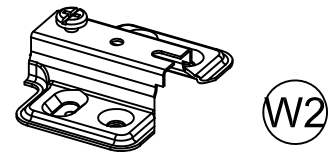
3



(W) X 3



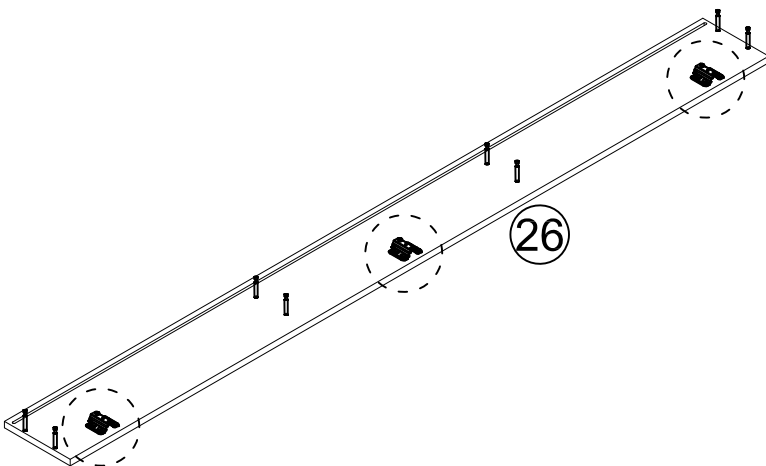
(W3)



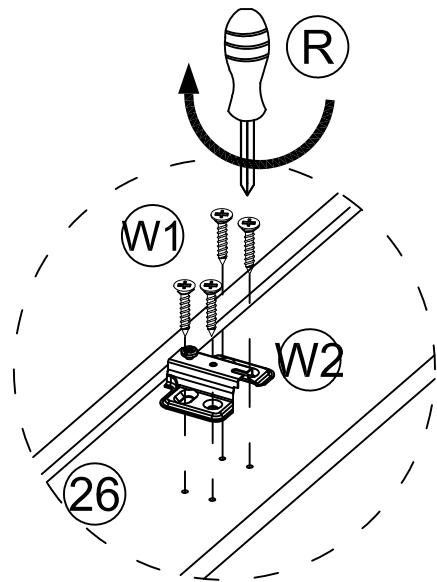
(W2)

	(W) x3
	(R) x1

4



(26)



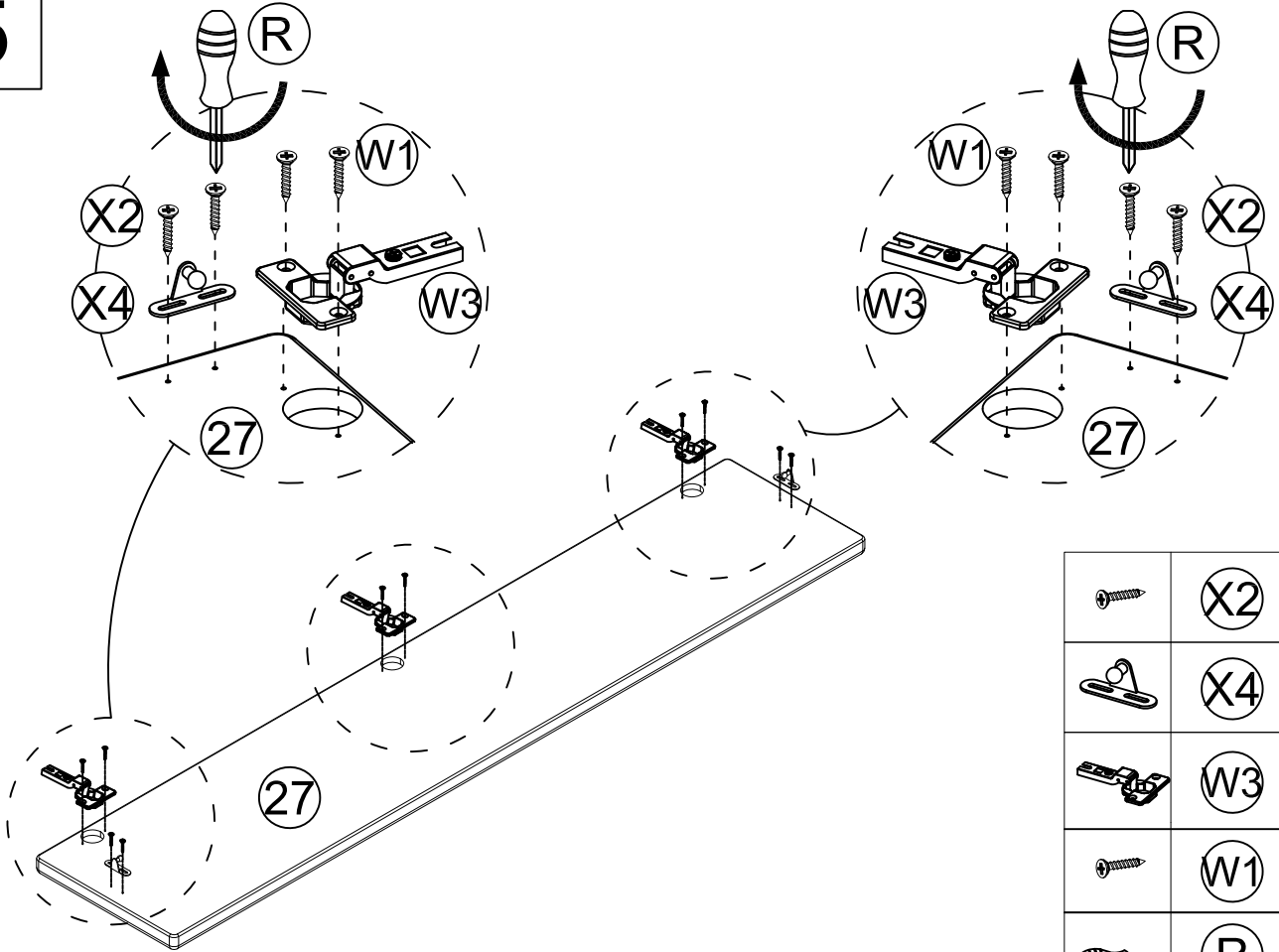
(W1)

(W2)

(26)

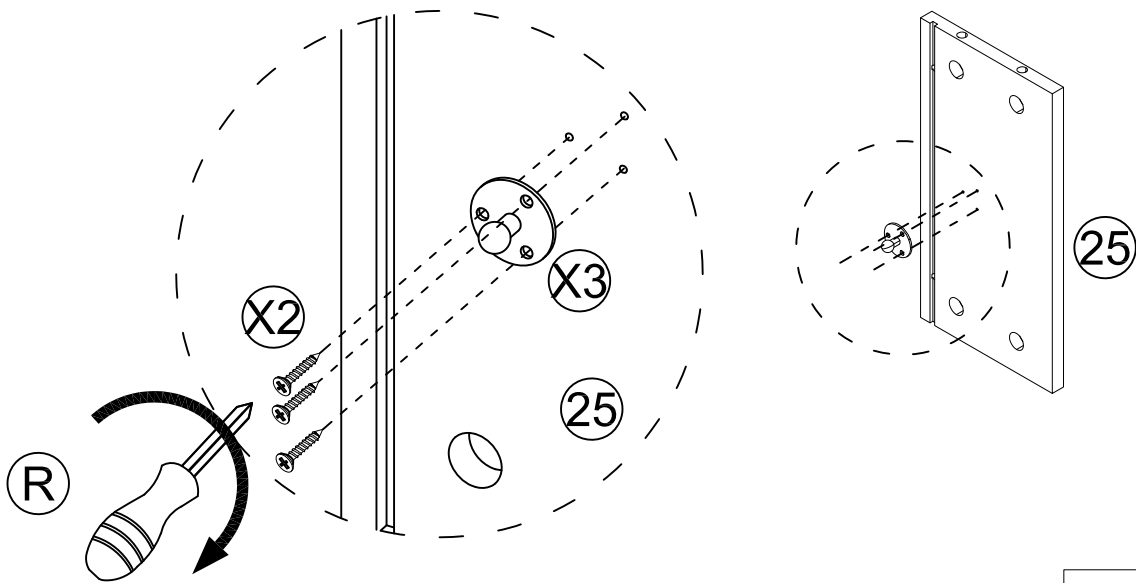
	(W1) x12
	(W2) x3
	(R) x1

5



	(X2)	x4
	(X4)	x2
	(W3)	x3
	(W1)	x6
	(R)	x1

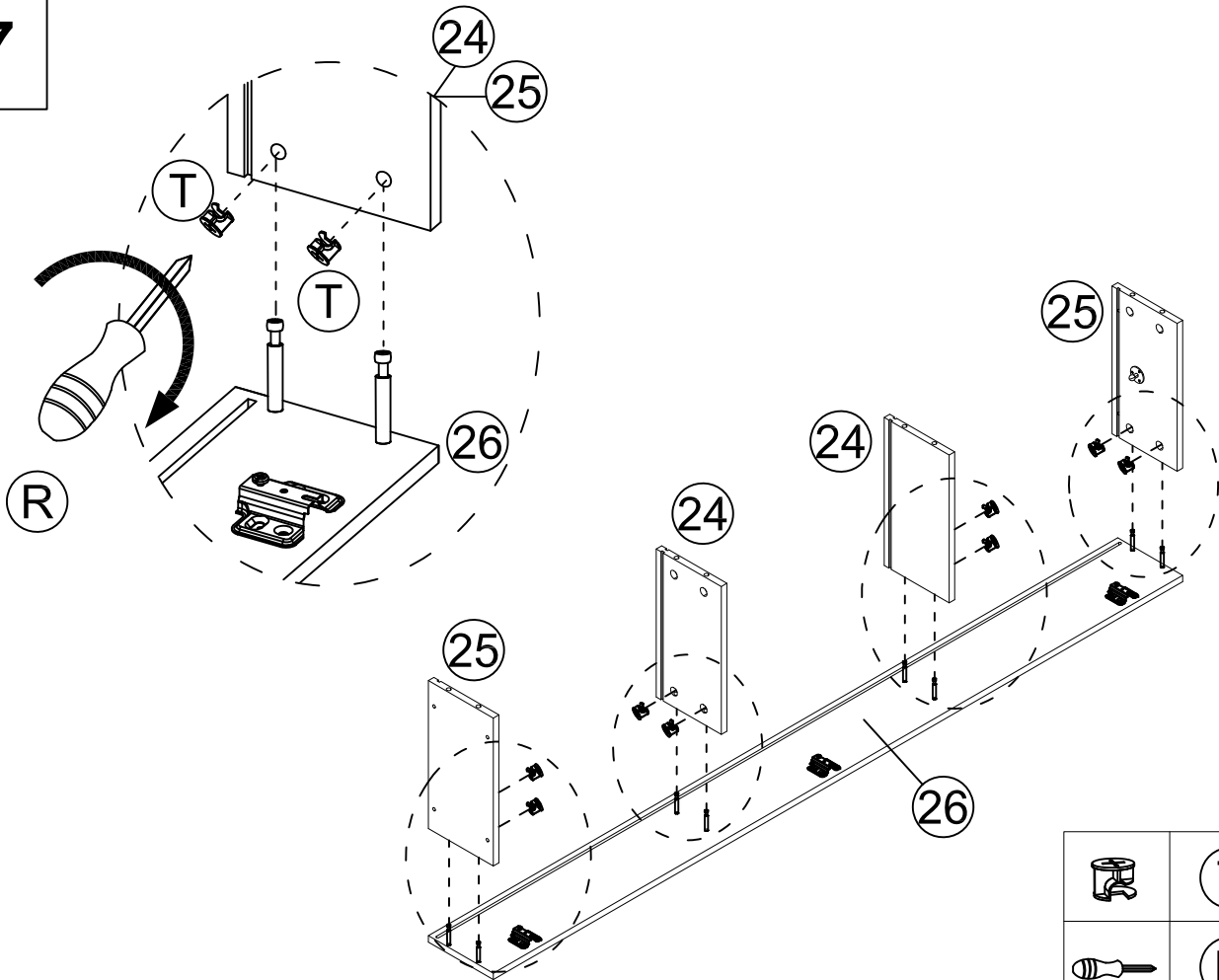
6



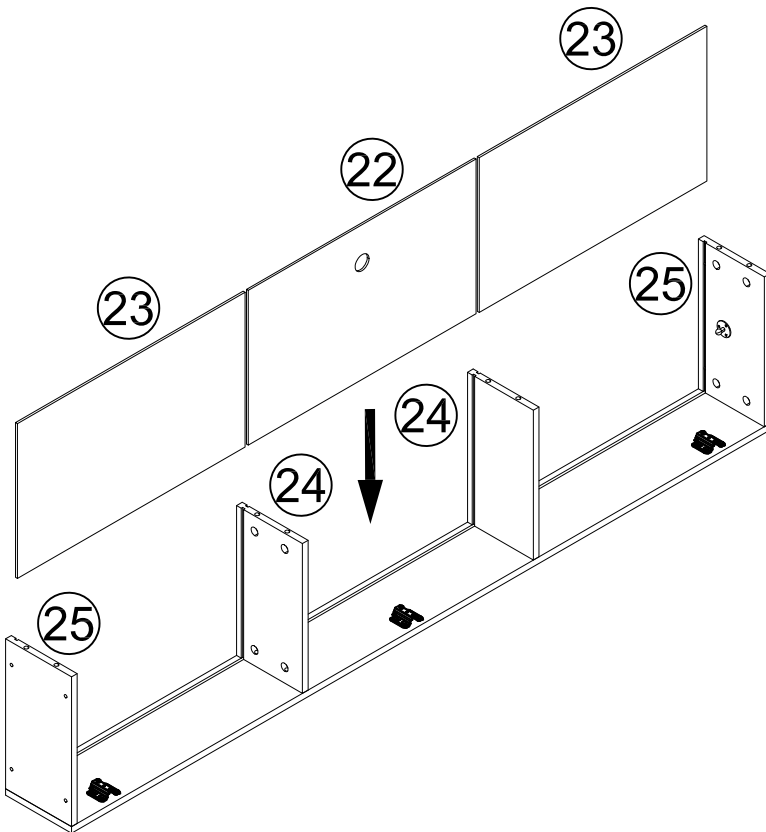
X 2

	(X2)	x6
	(X3)	x2
	(R)	x1

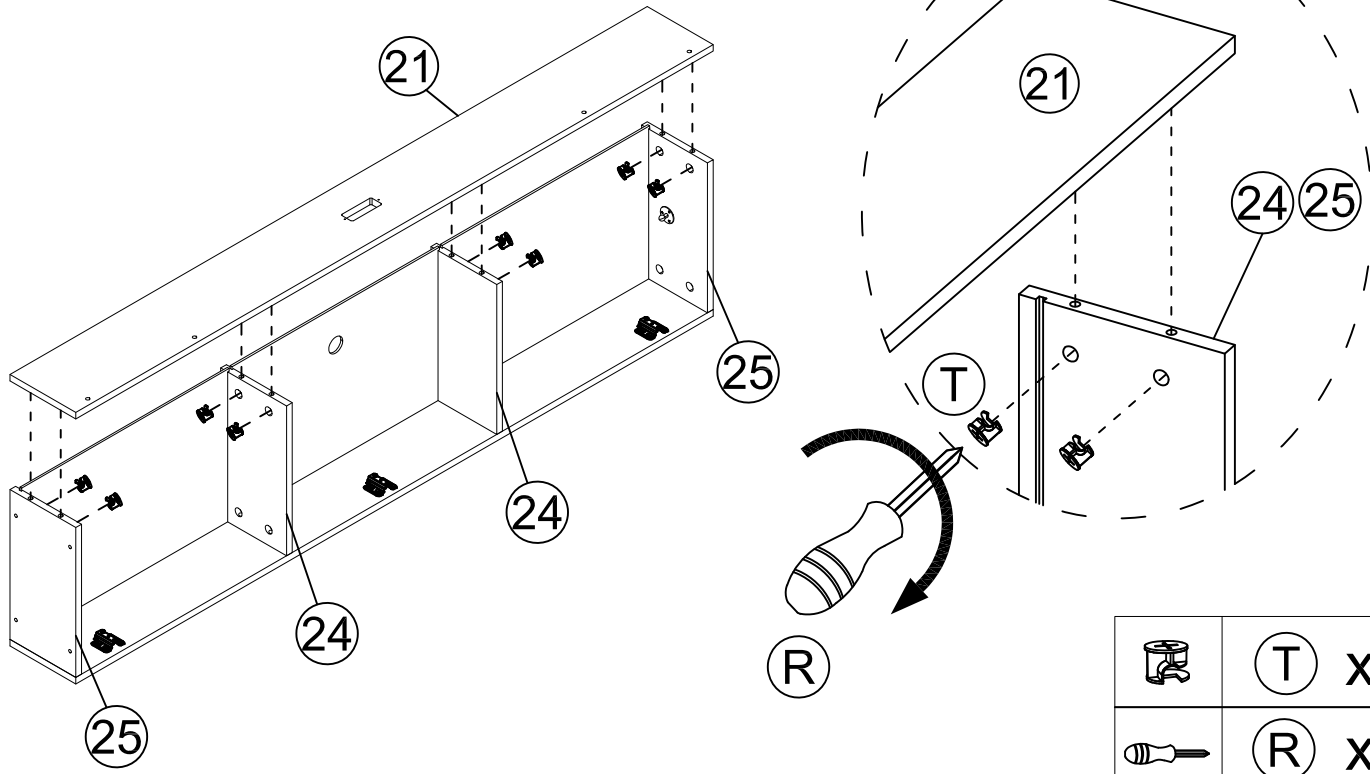
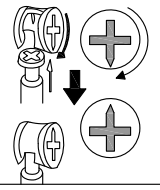
7


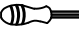


8

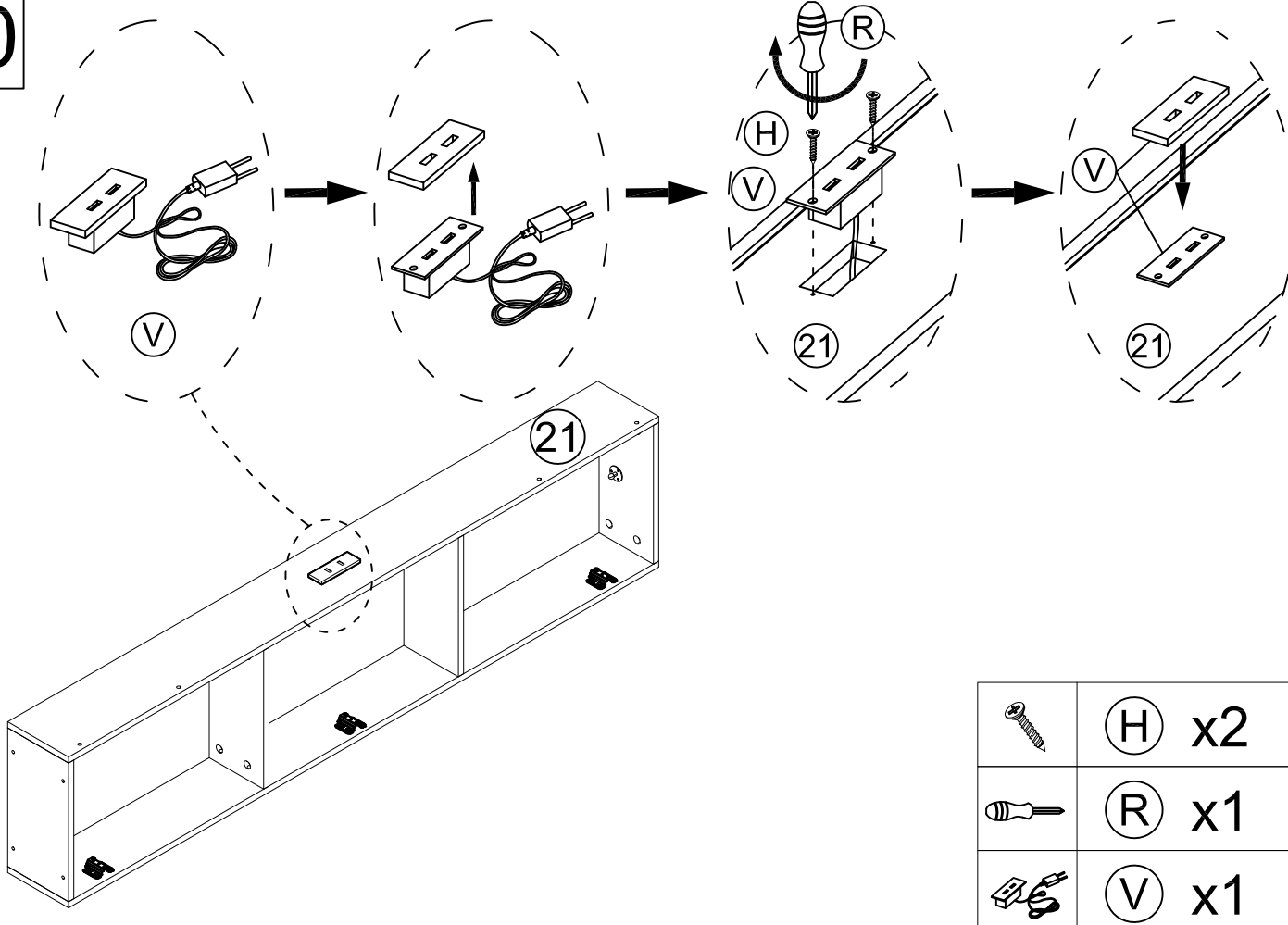



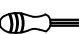

9



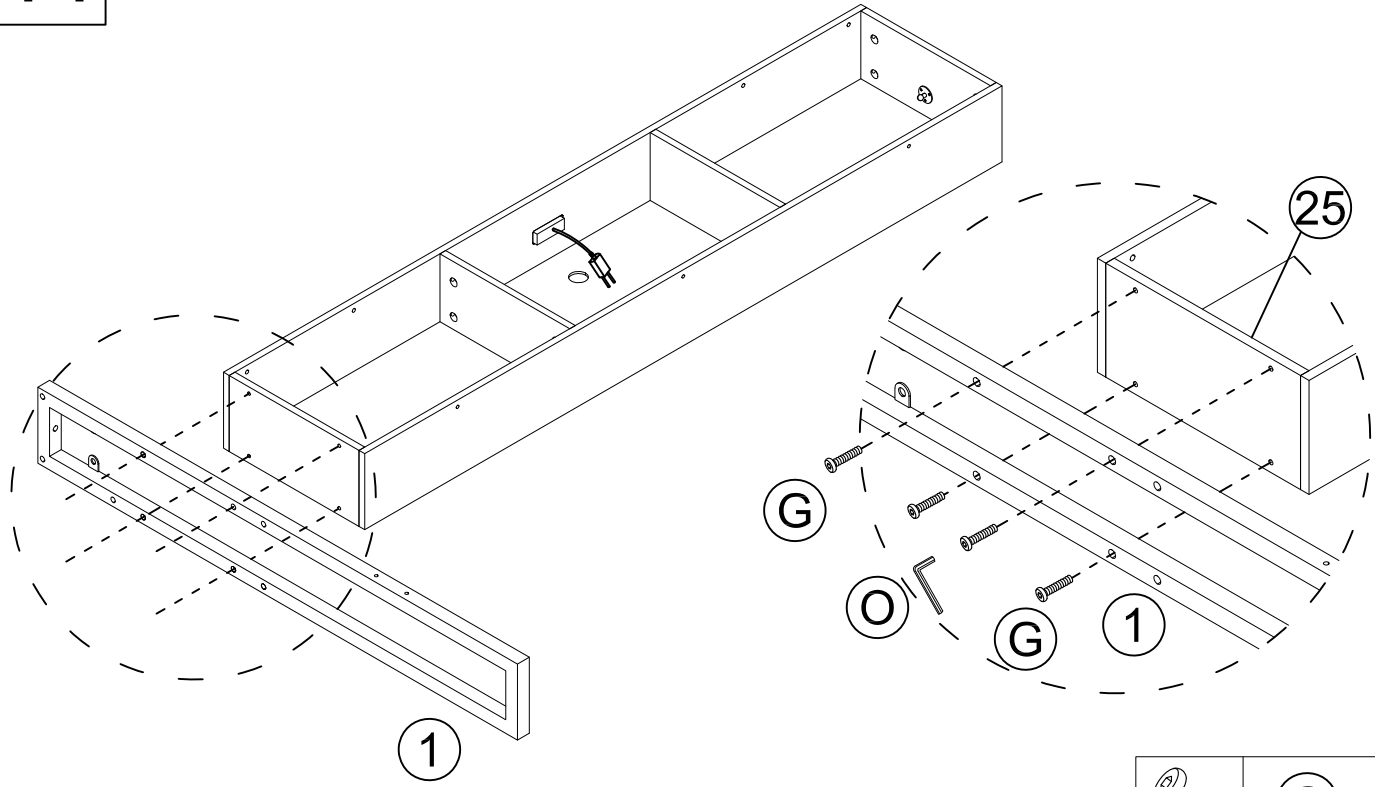
	(T) x8
	(R) x1



10



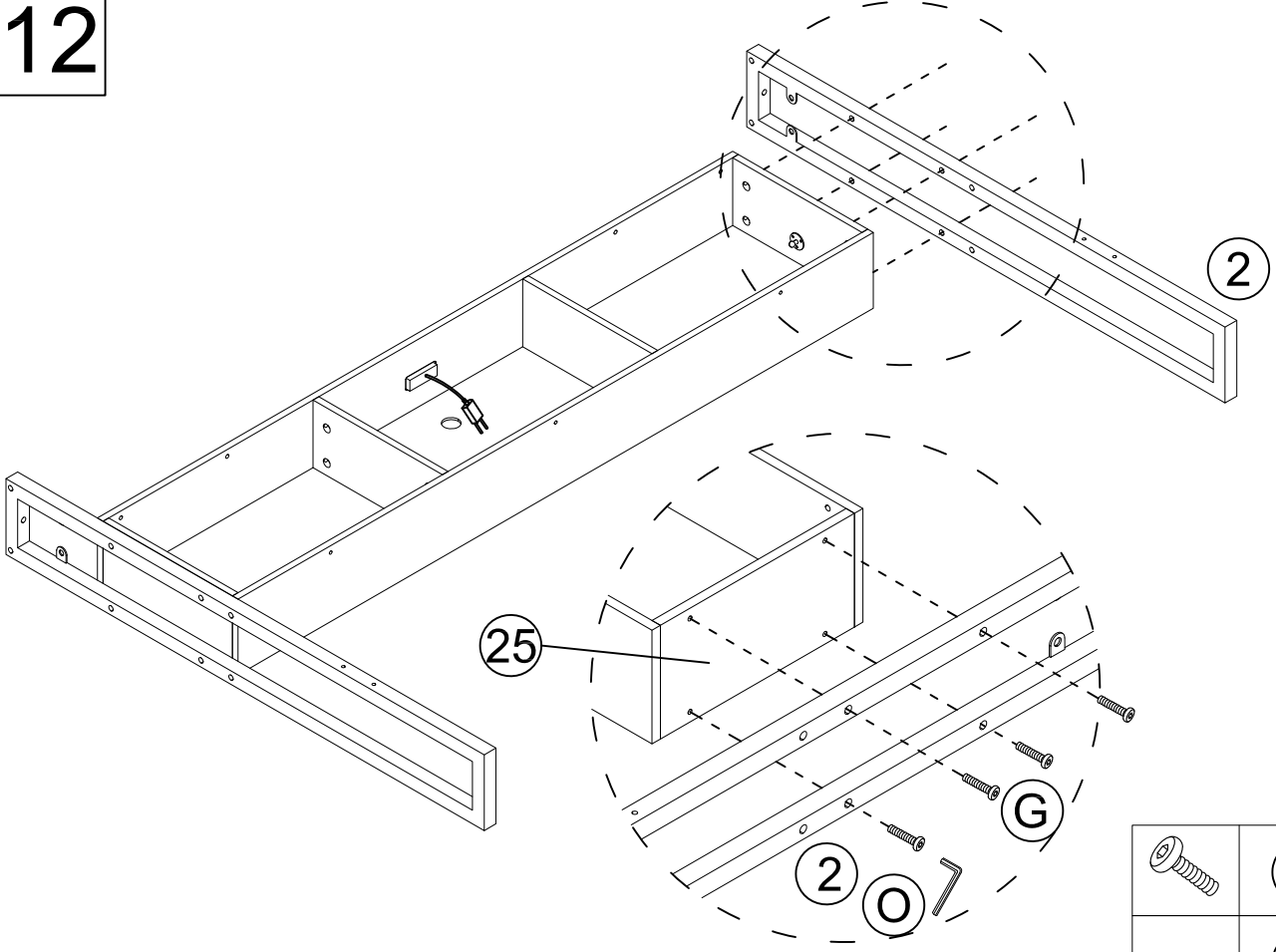
	(H) x2
	(R) x1
	(V) x1

11



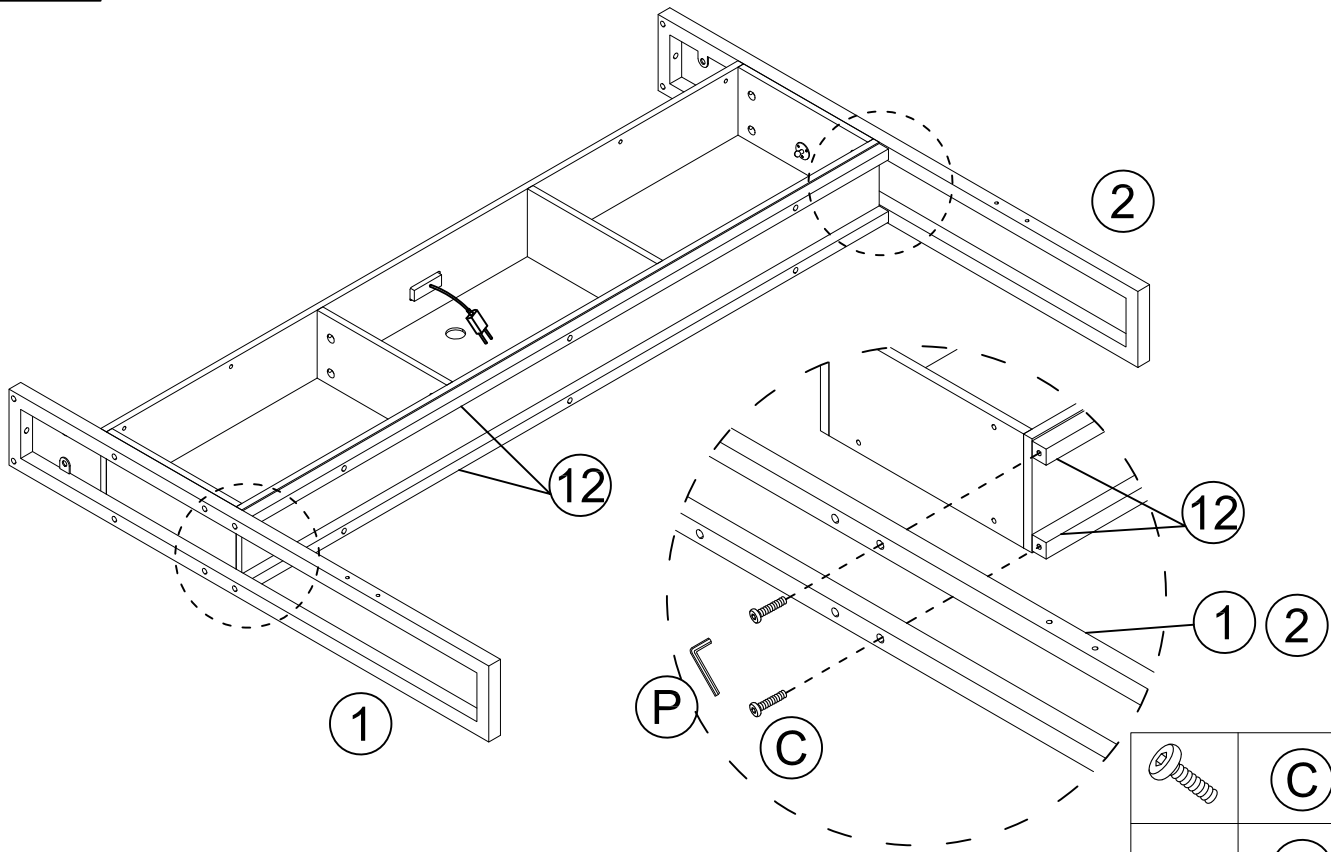
	G x4
	O x1



12



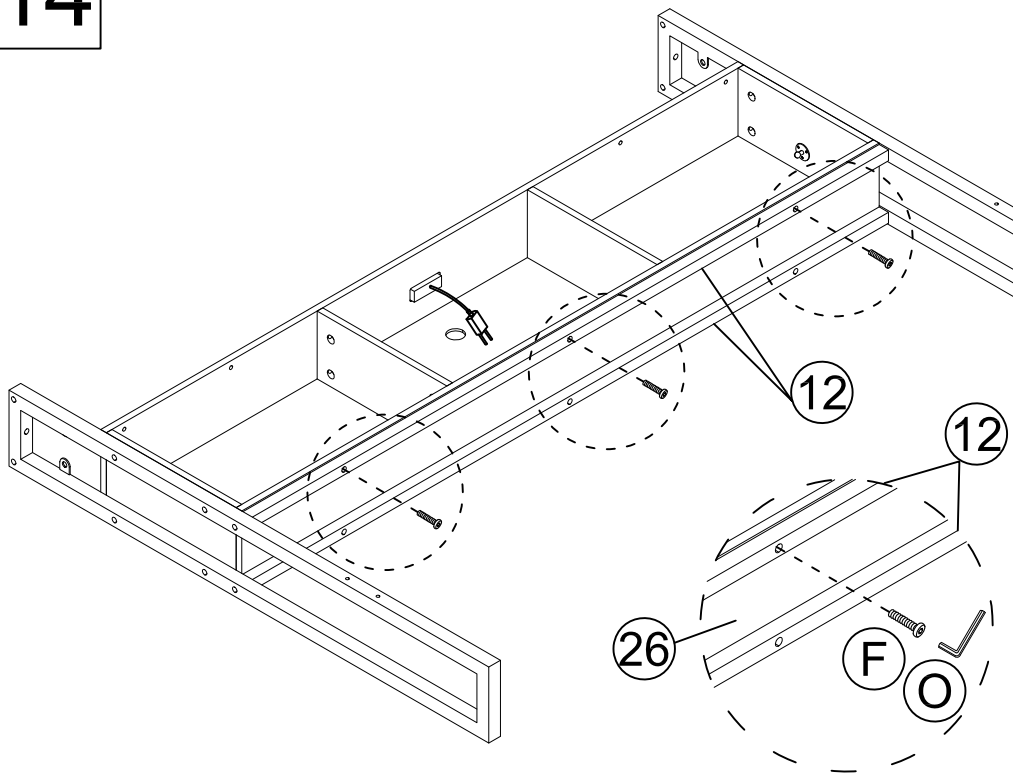
	G x4
	O x1


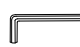
13



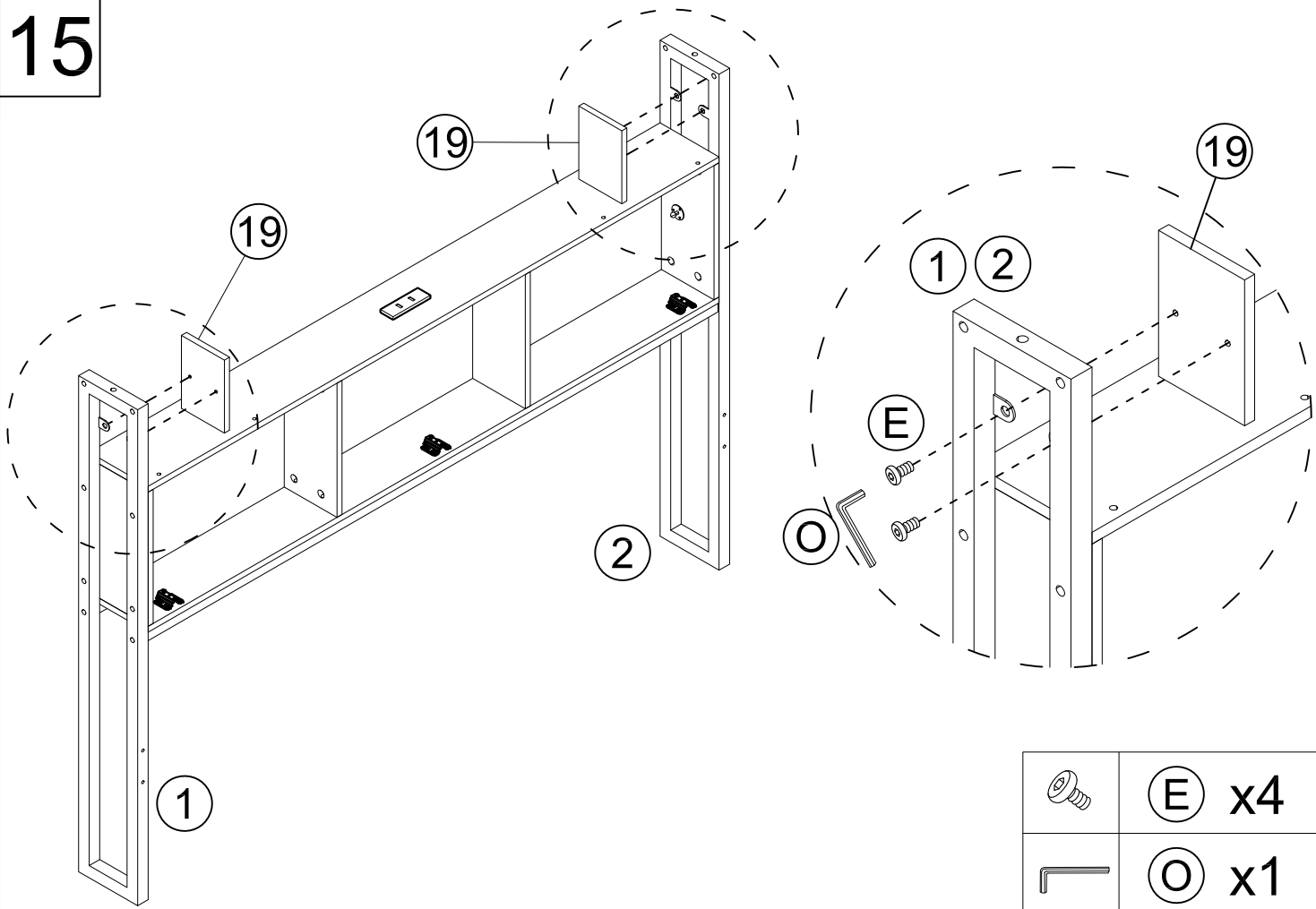
	(C) x4
	(P) x1



14



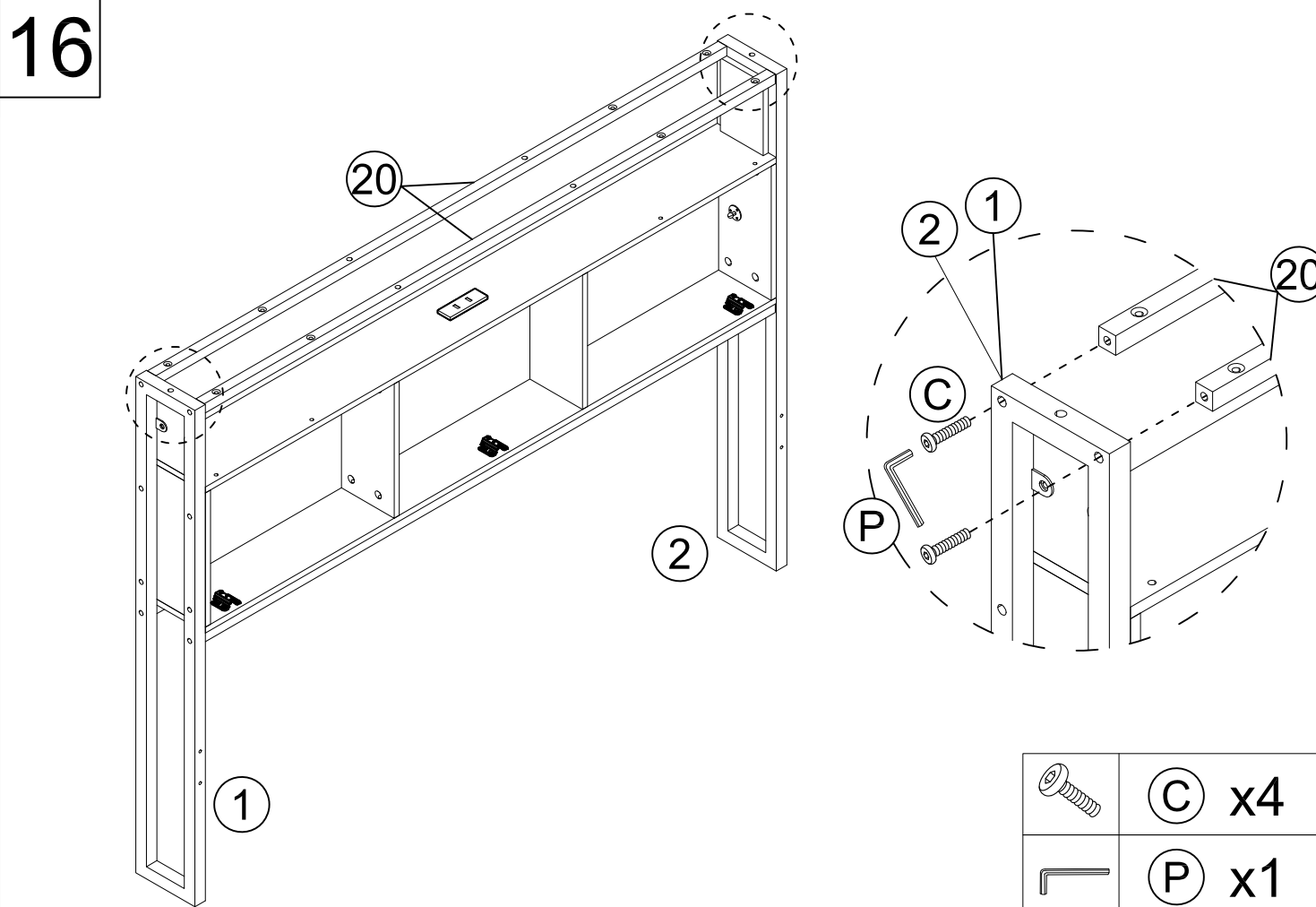
	(F) x3
	(O) x1



15



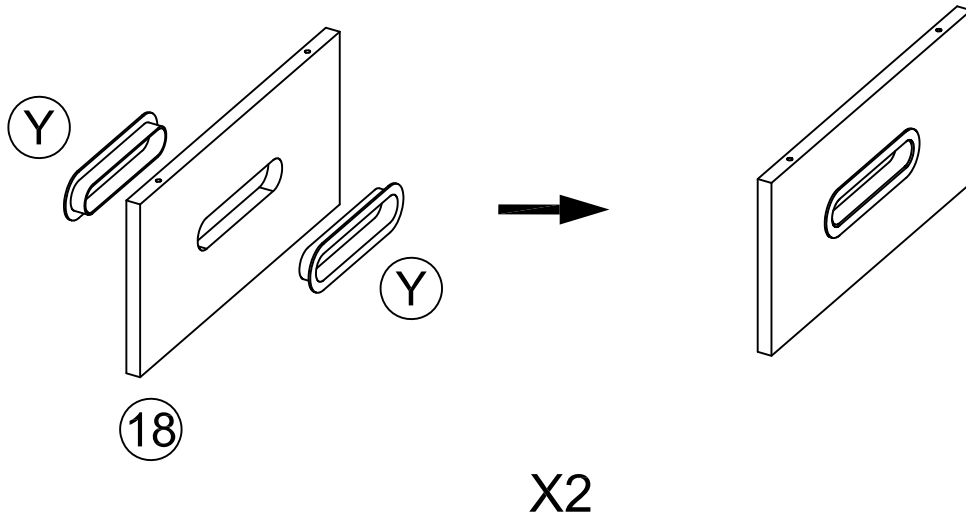
	(E) x4
	(O) x1

16

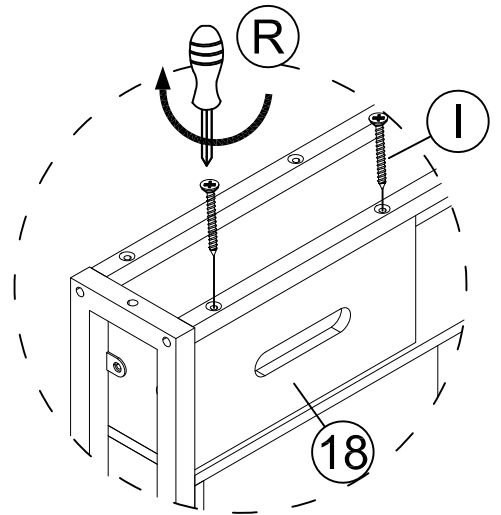
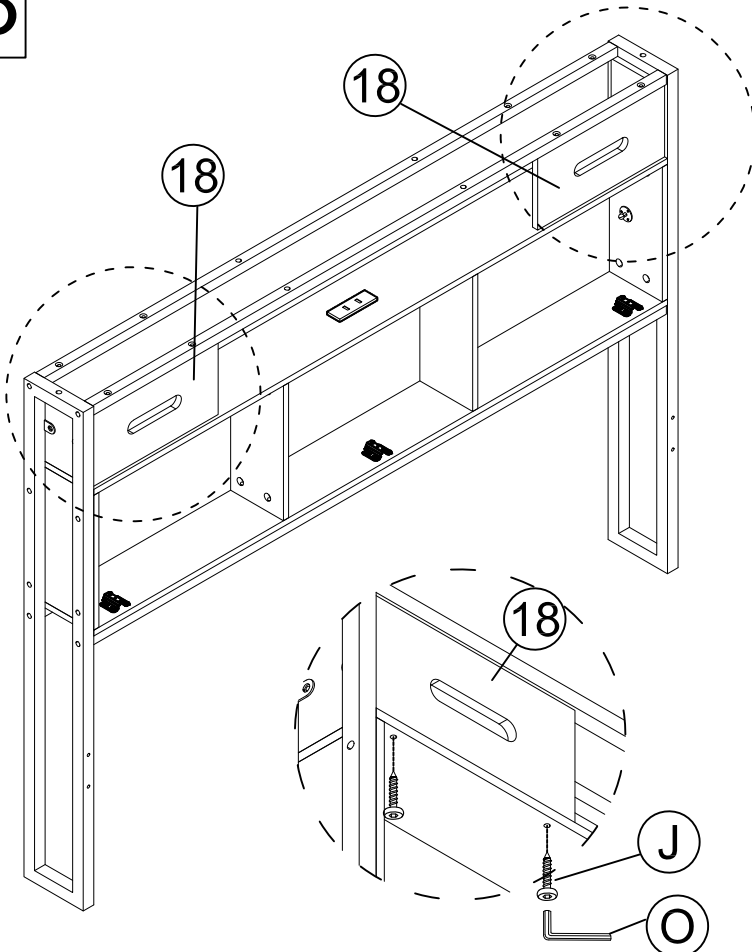






	(C) x4
	(P) x1

17

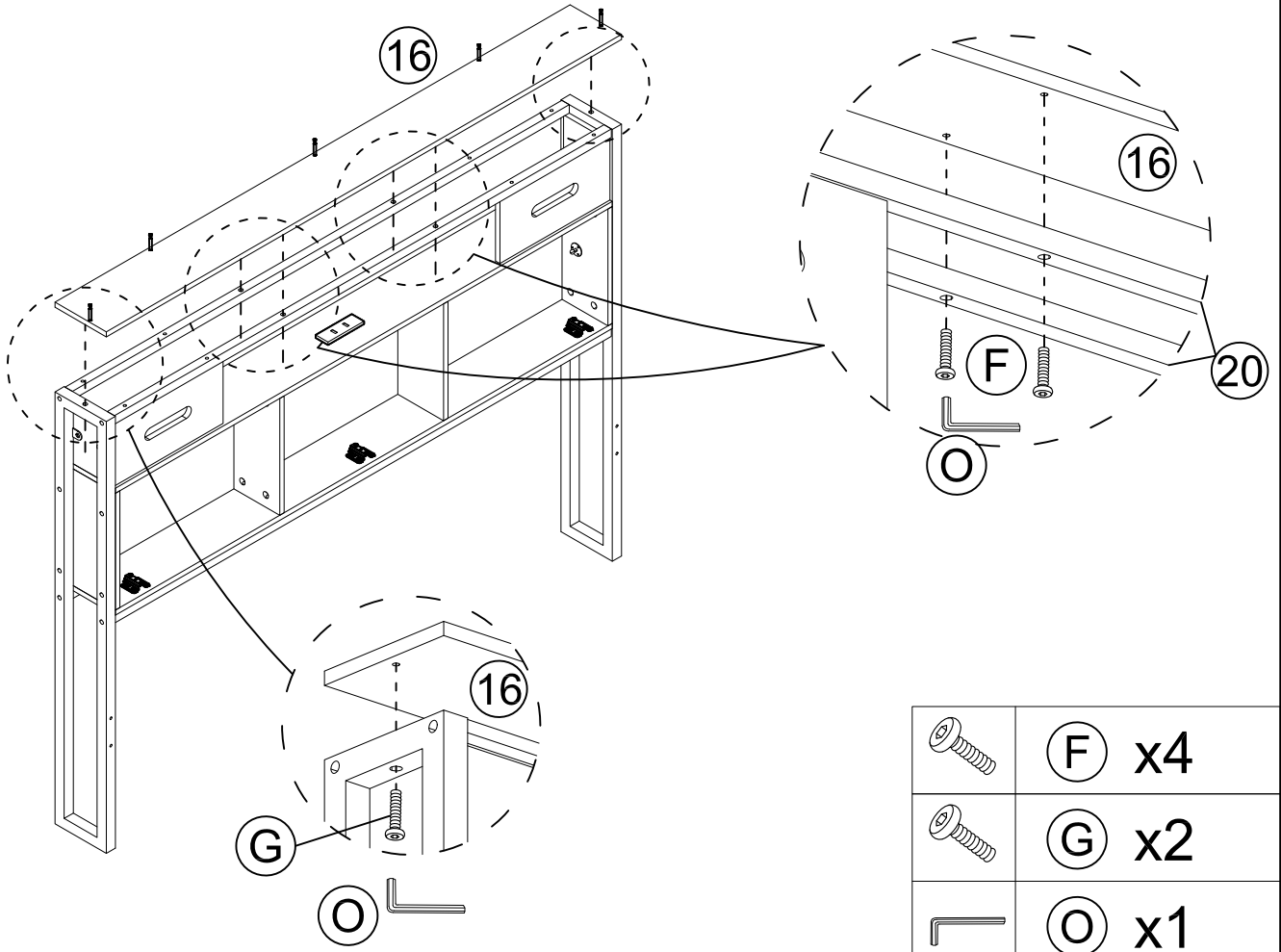





18



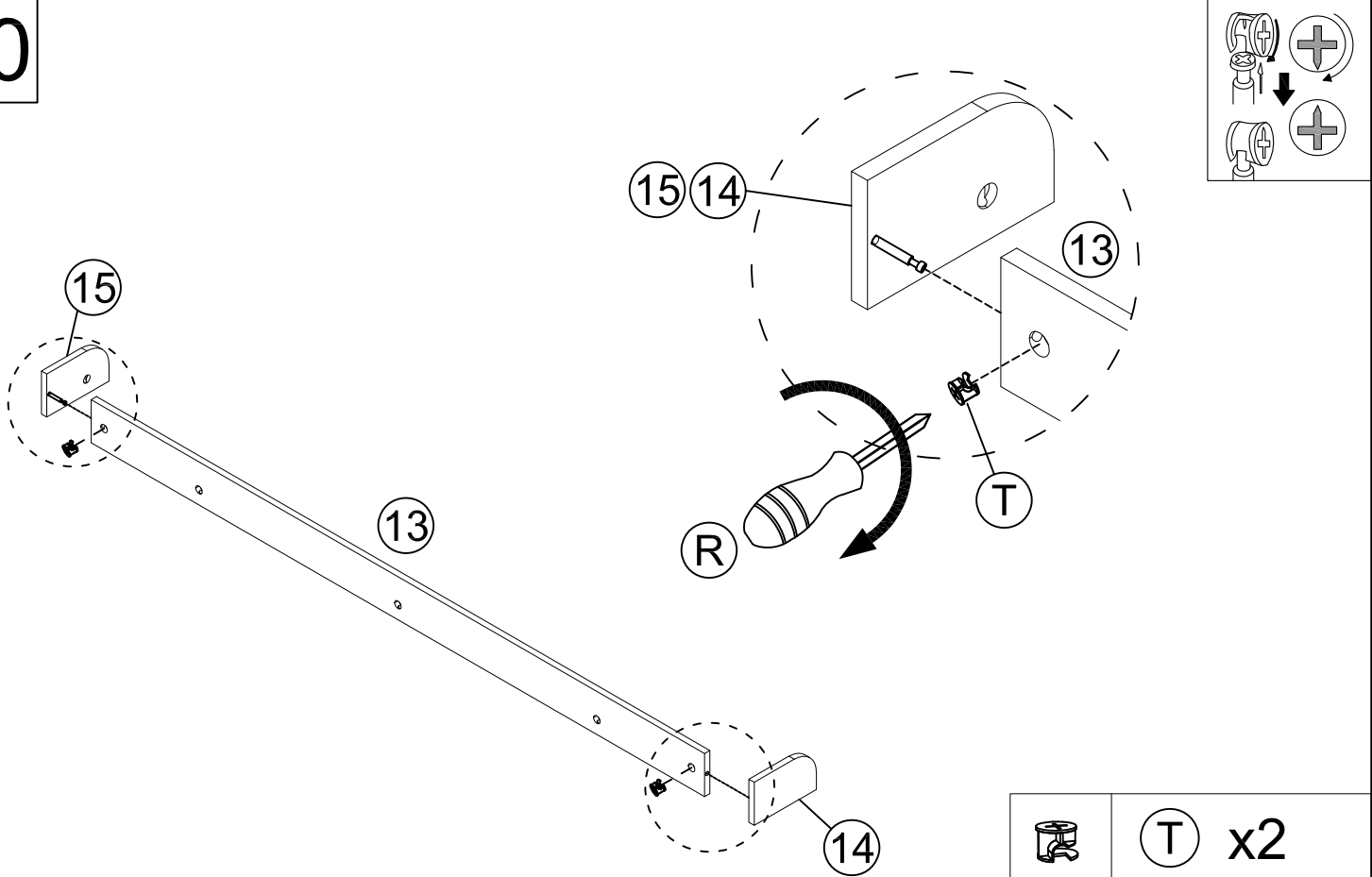
	(J) x4
	(I) x4
	(O) x1
	(R) x1



19



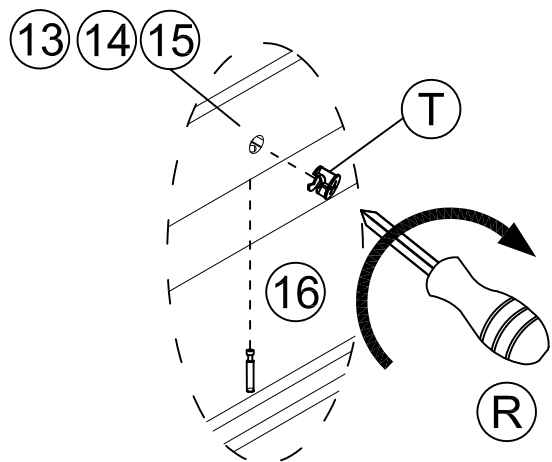
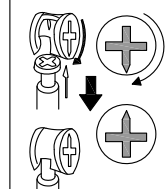
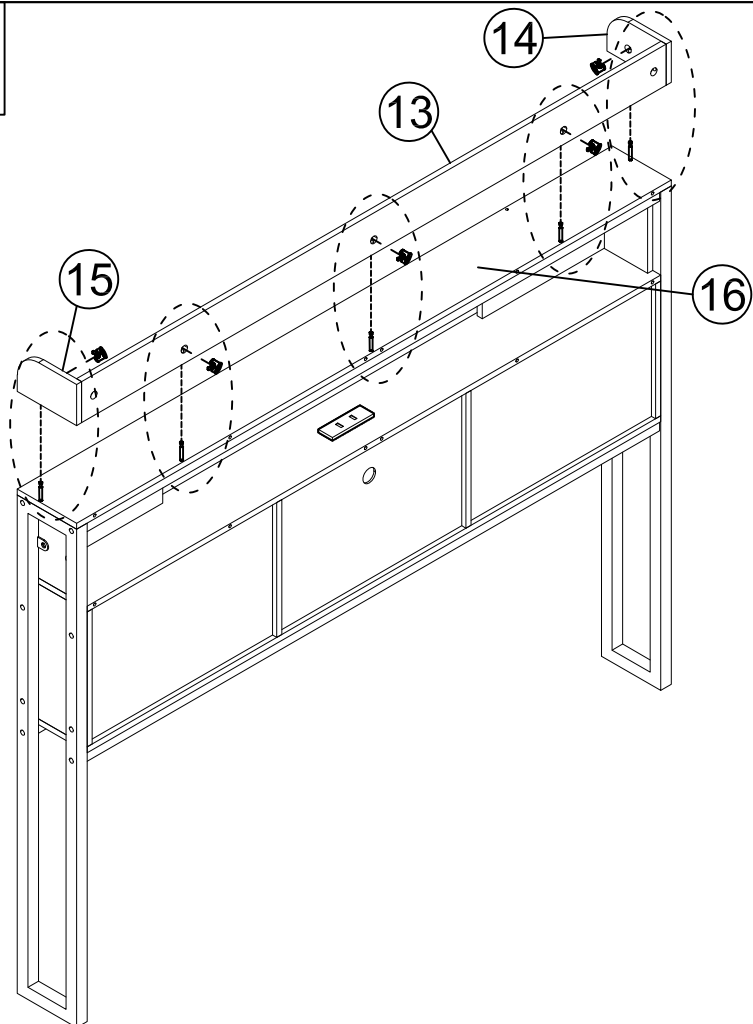
	(F) x4
	(G) x2
	(O) x1



20



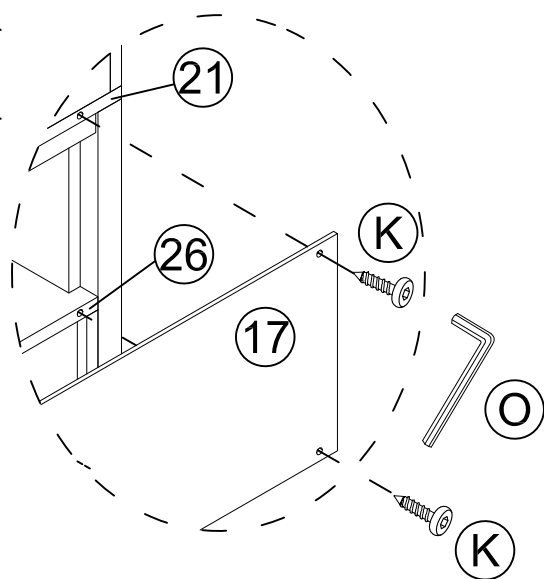
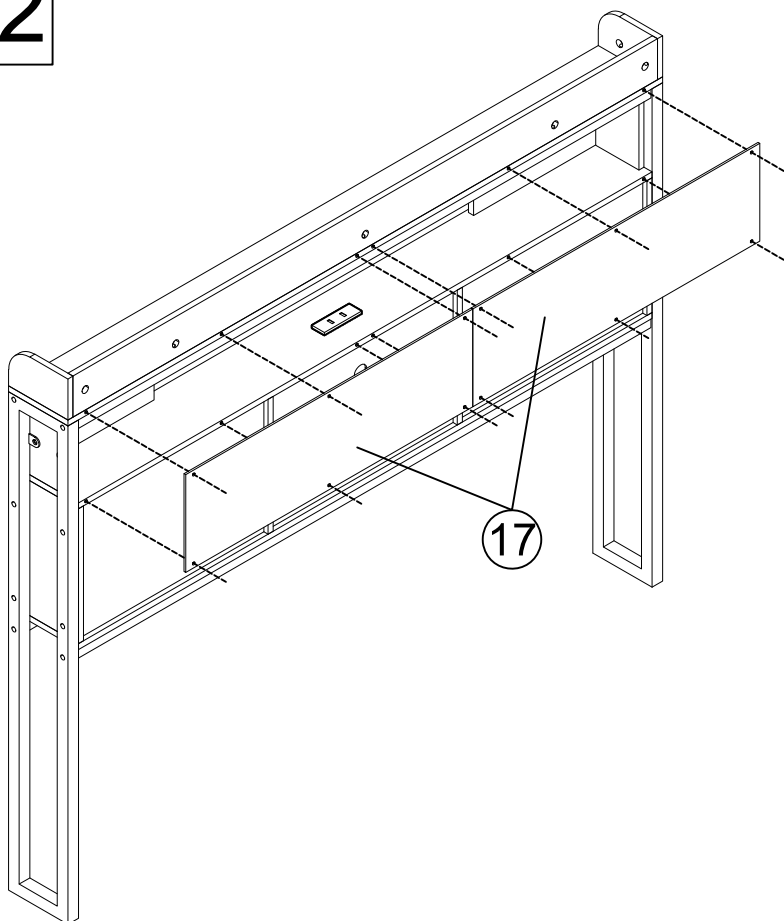
	(T) x2
	(R) x1



21



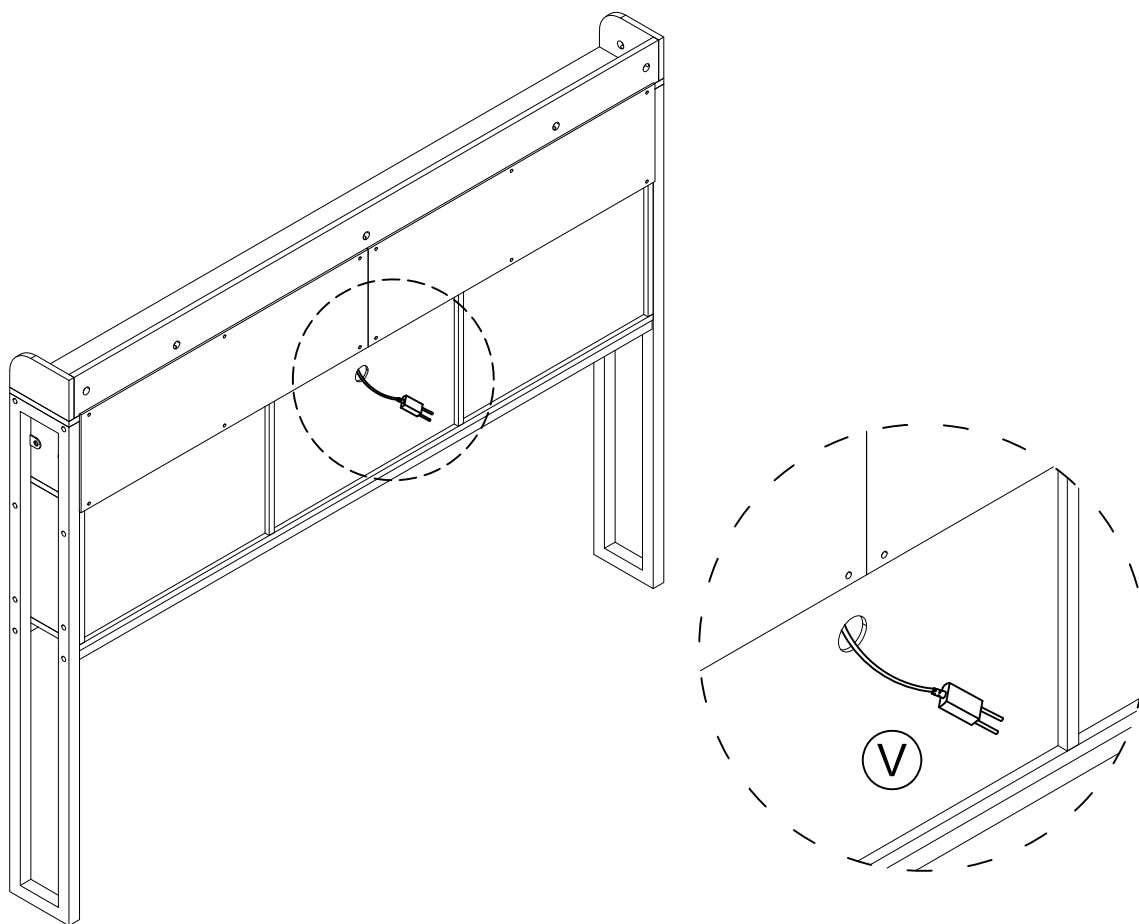
	Ⓣ x5
	Ⓡ x1

22

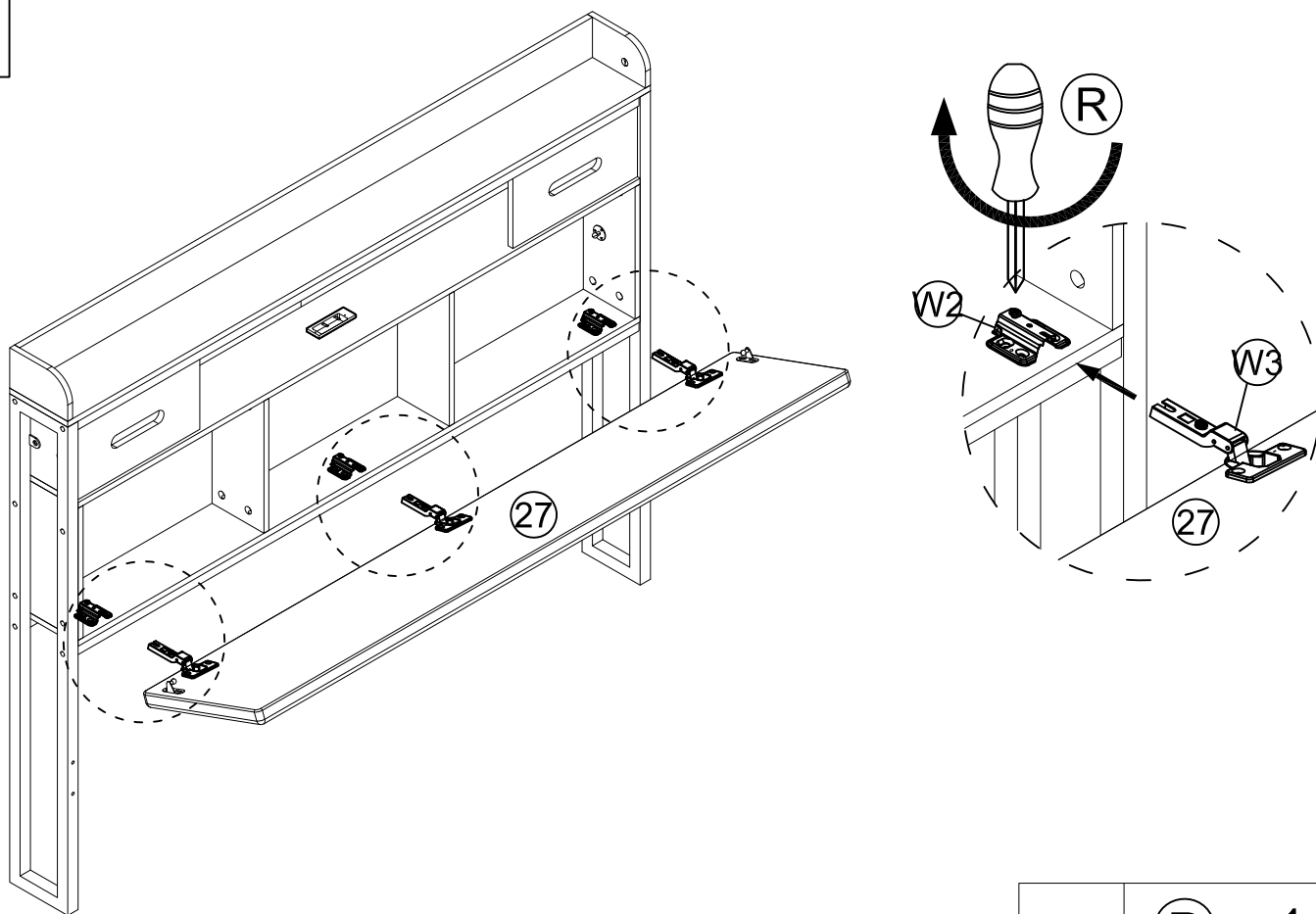


	Ⓚ x12
	Ⓞ x1

23

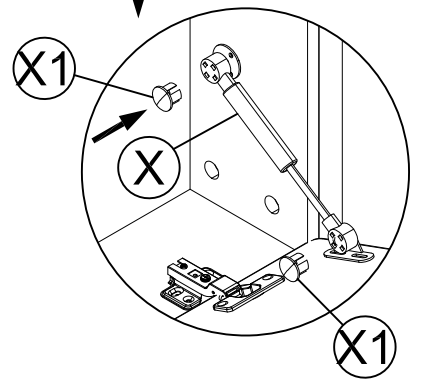
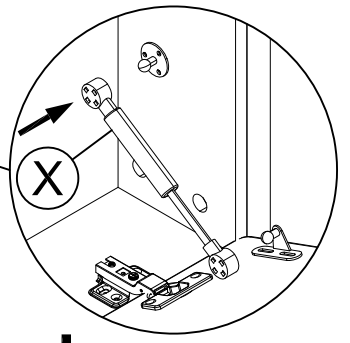
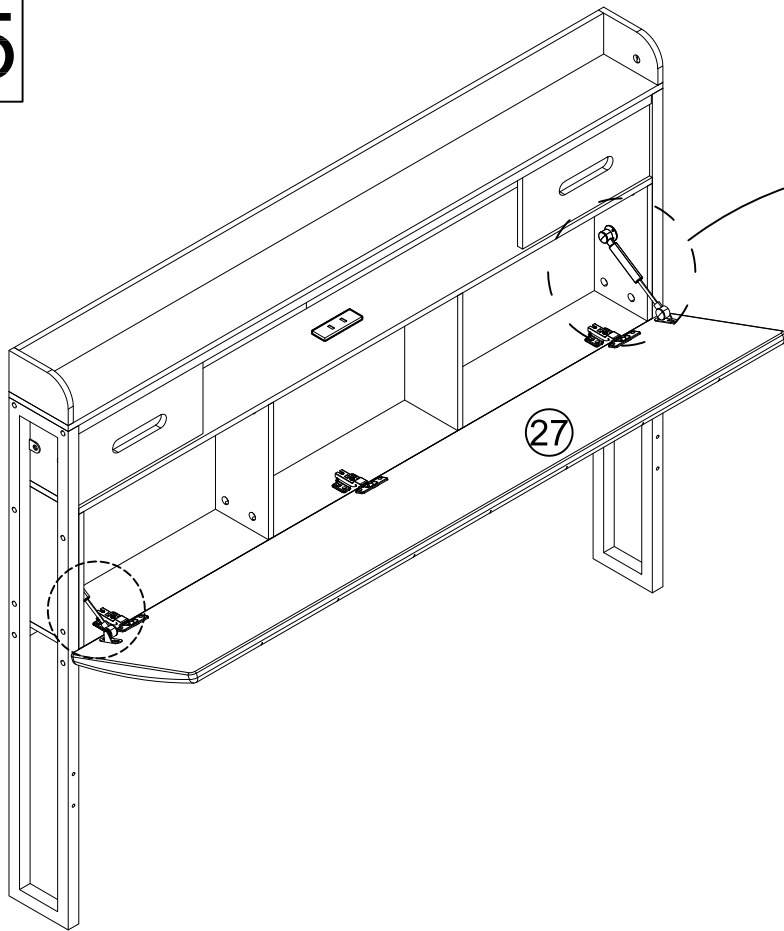


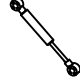

24



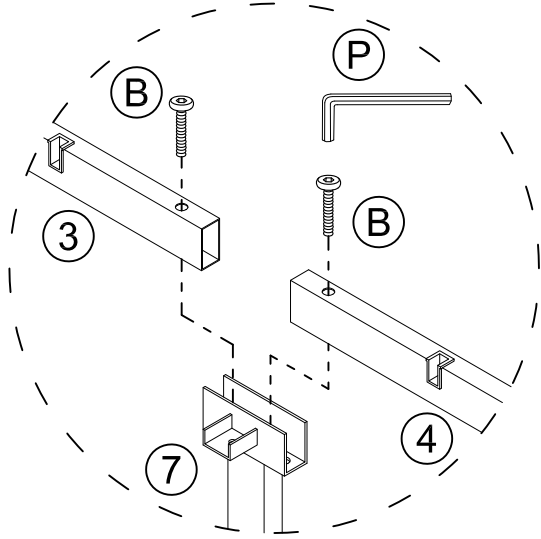
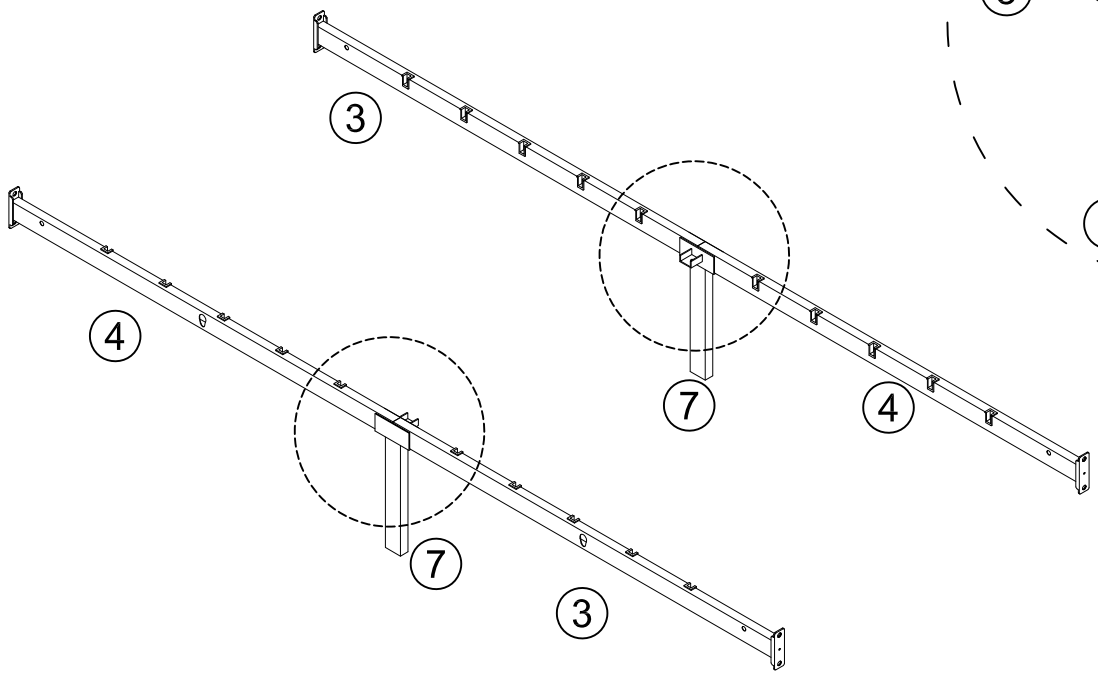
 (R) x1



25



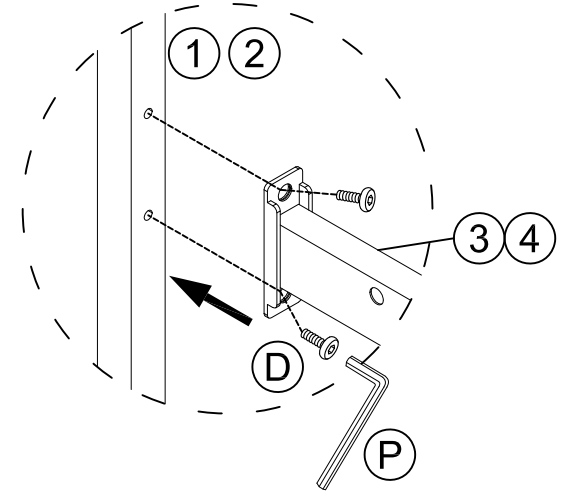
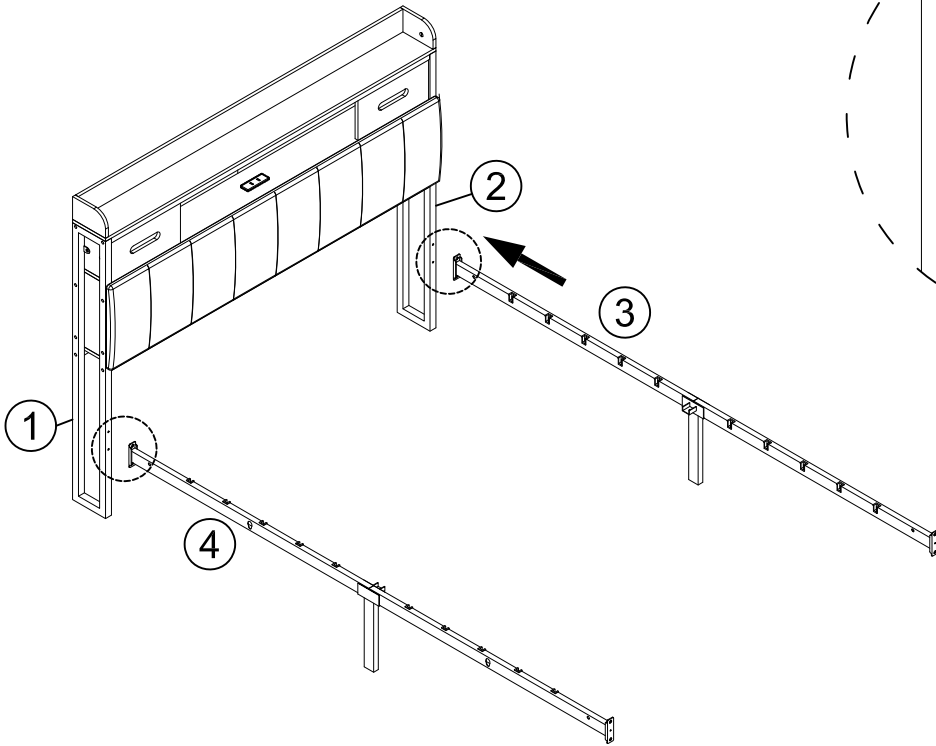
	(X) x2
	(X1) x4



26



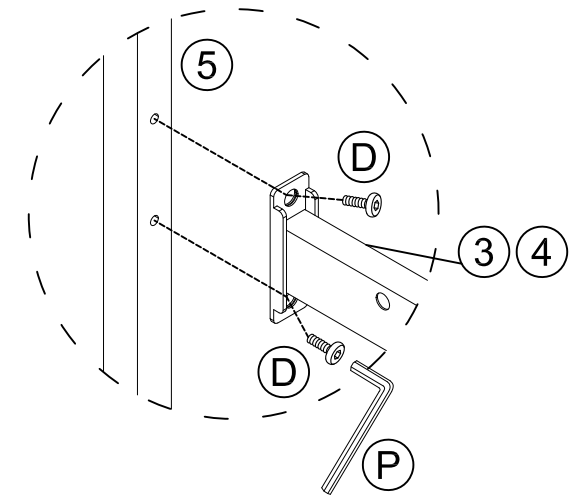
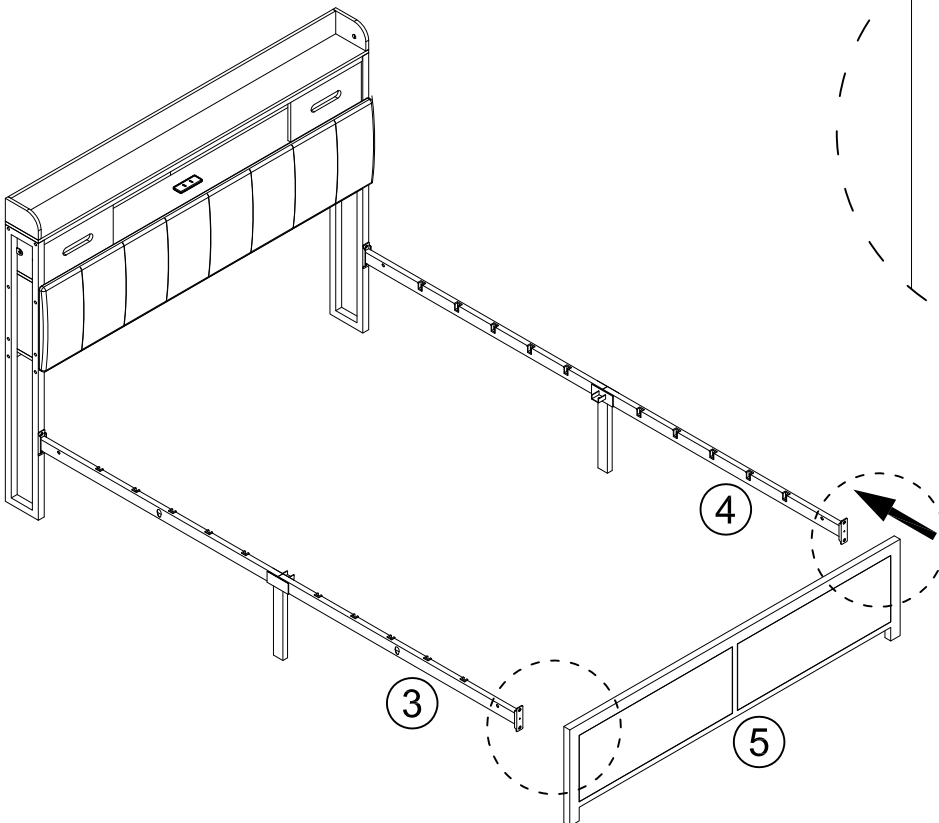
	(B) x4
	(P) x1



27



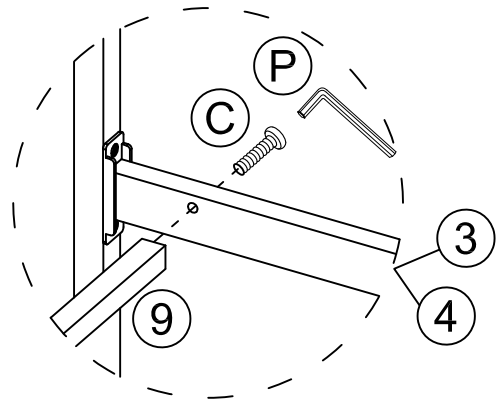
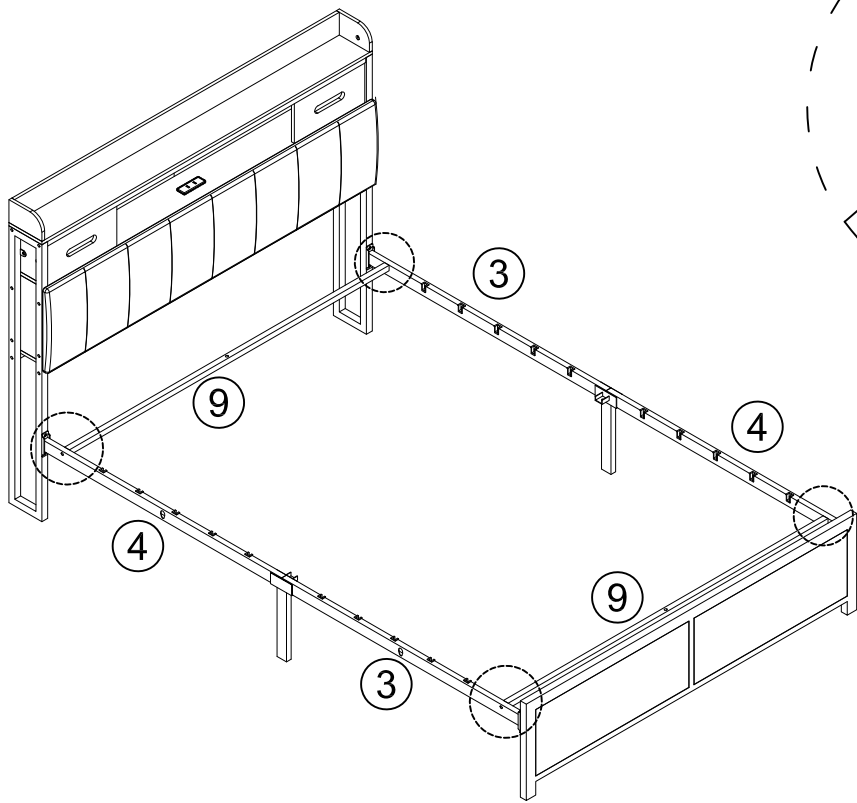
	(D) x4
	(P) x1



28



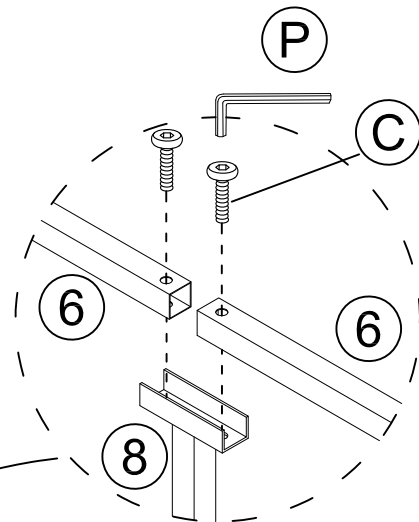
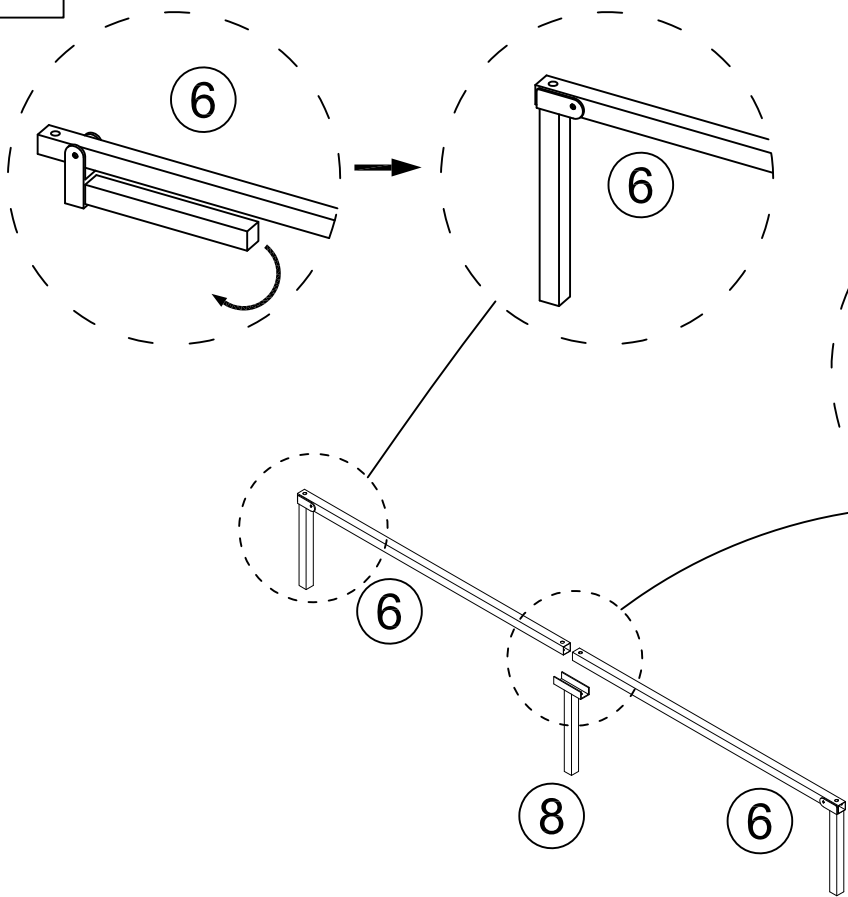
	(D) x4
	(P) x1



29



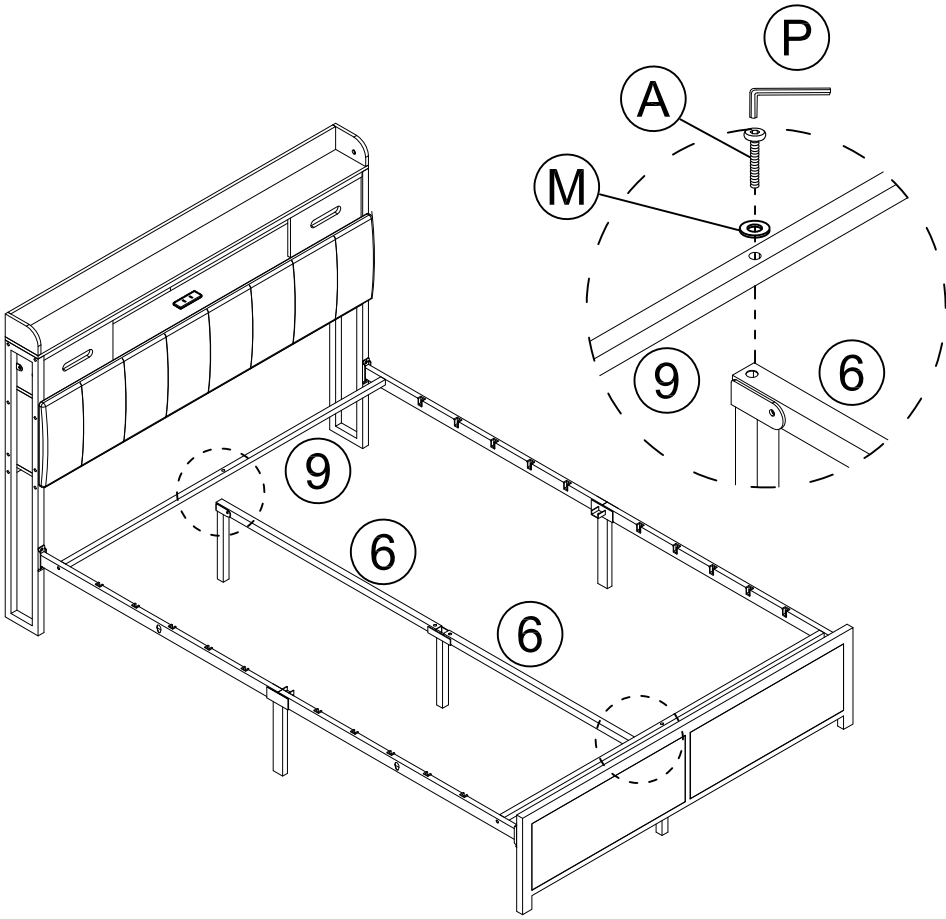
	(C) x4
	(P) x1




30



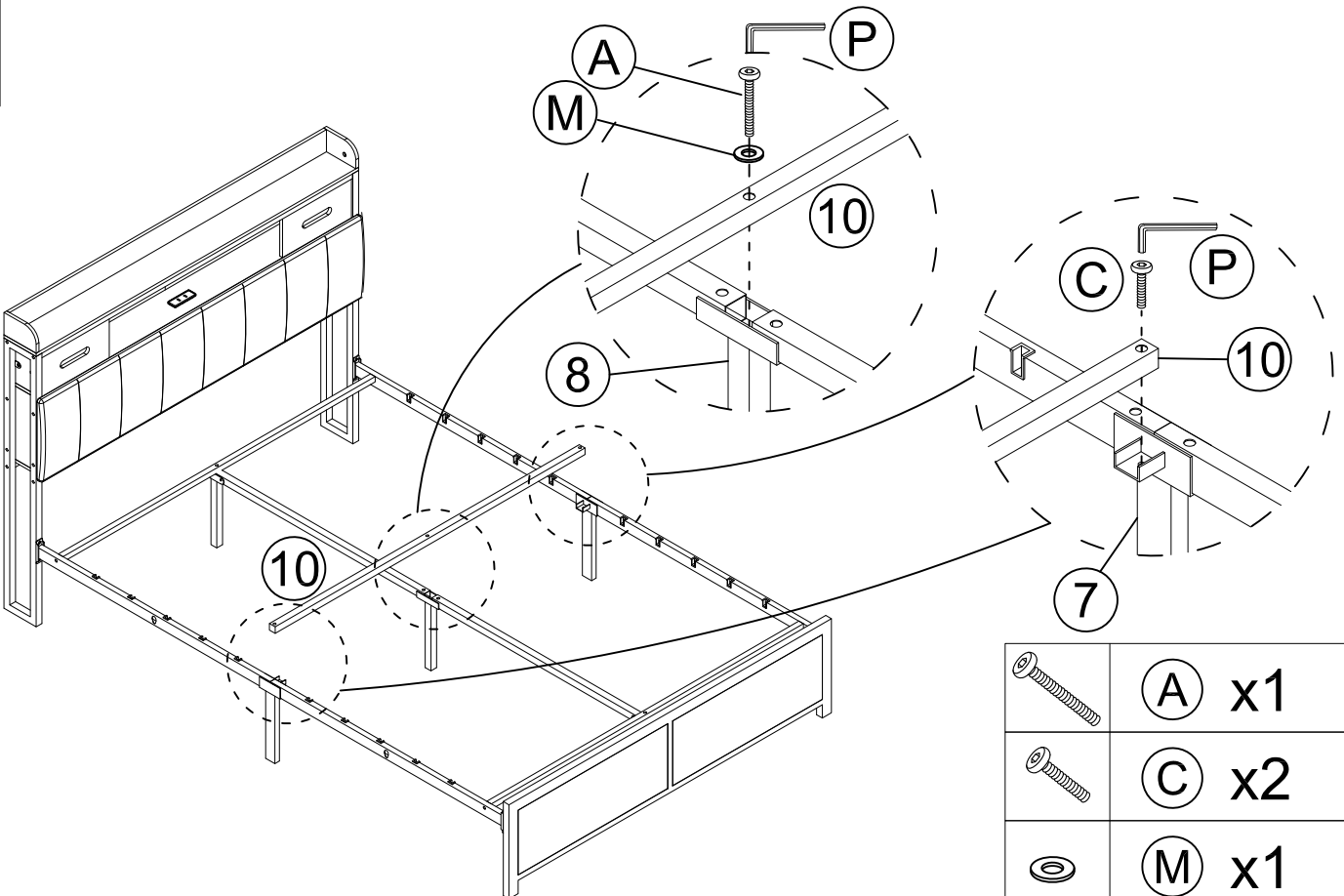
	(C) x2
	(P) x1





31



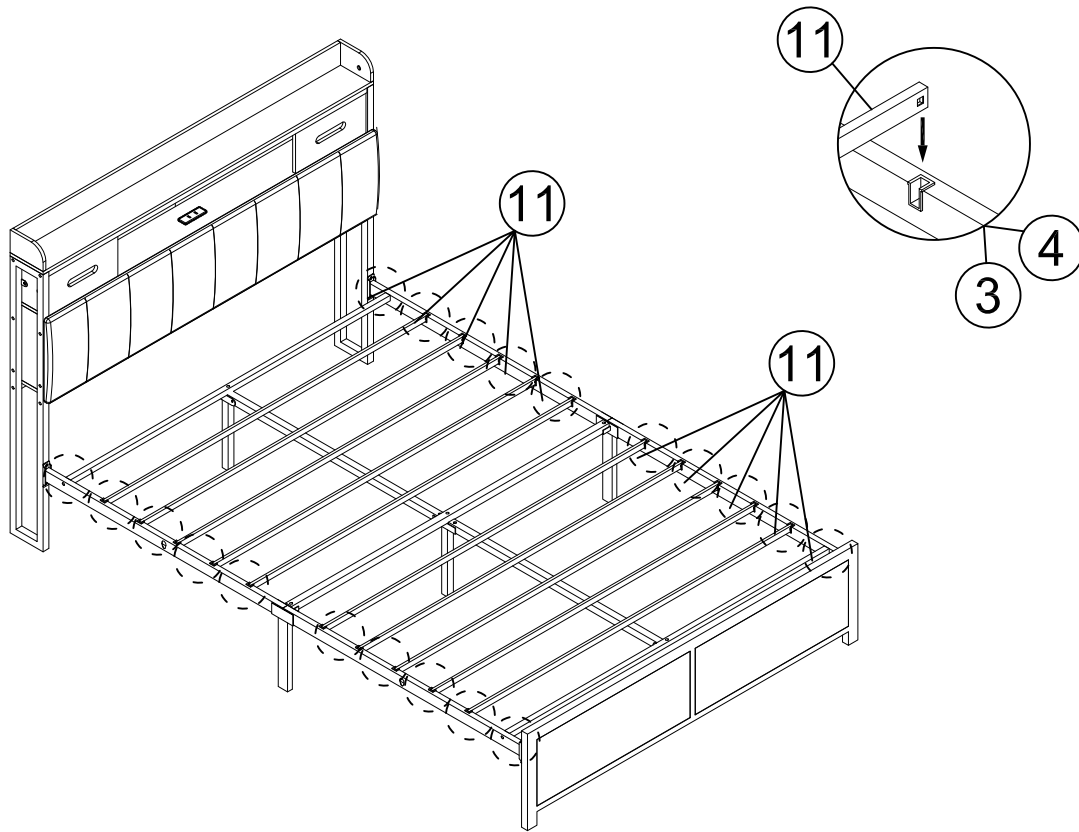
	Ⓜ x2
	Ⓐ x2
	Ⓟ x1

32

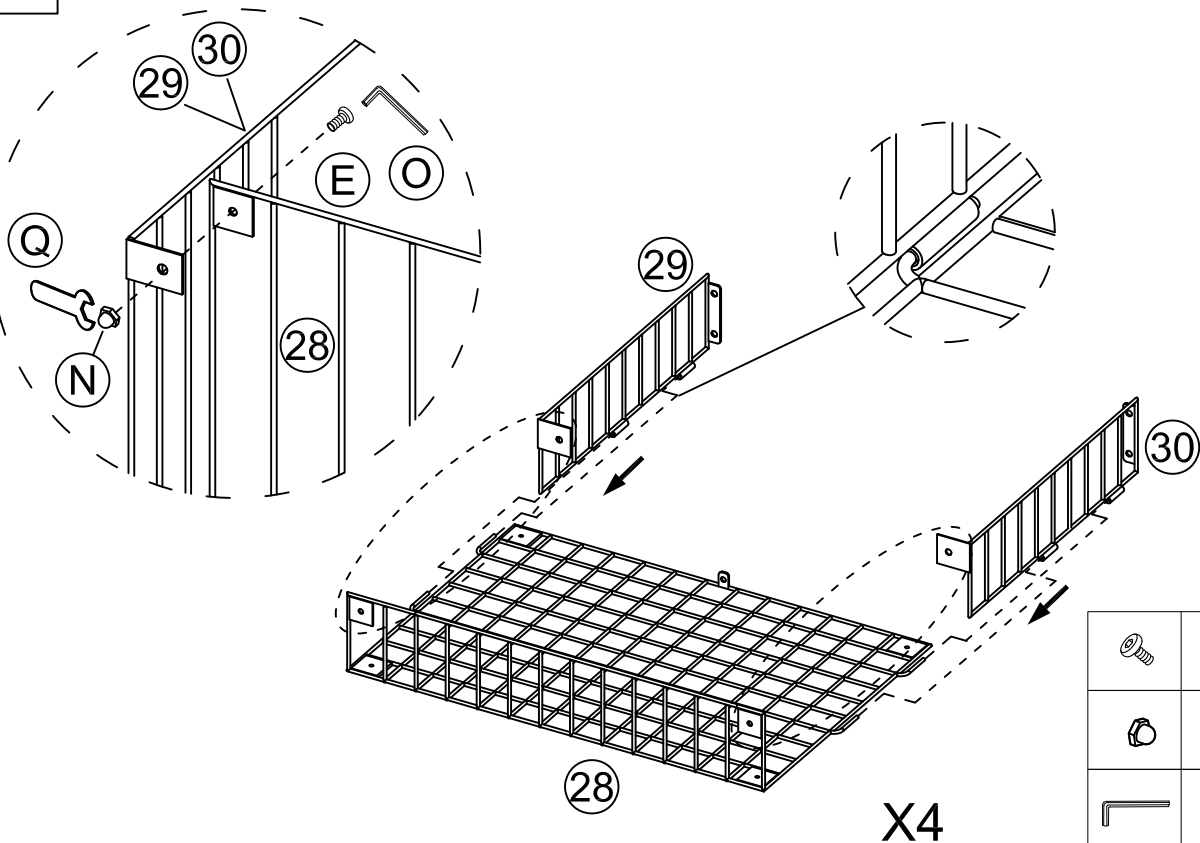






	Ⓐ x1
	Ⓒ x2
	Ⓜ x1
	Ⓟ x1

33

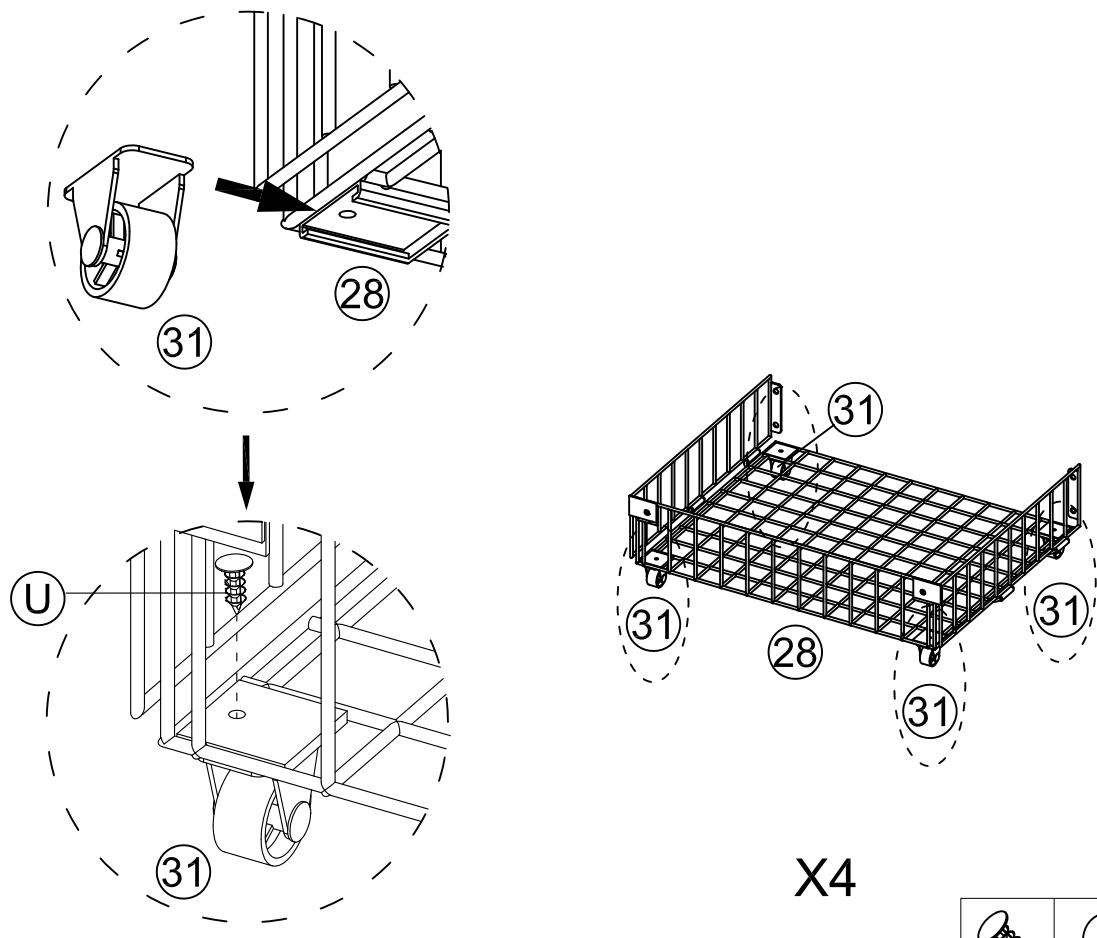


34




	E × 8
	N × 8
	O × 1
	Q × 1

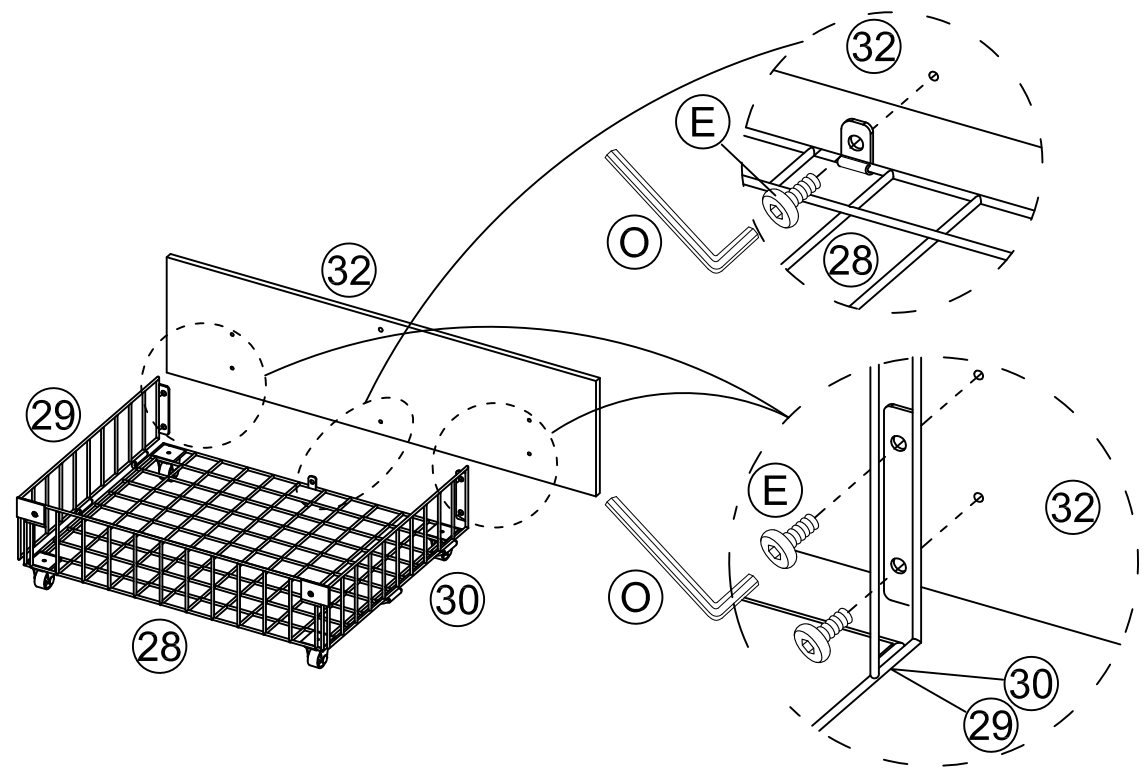
35





X4

	U × 16
---	--------

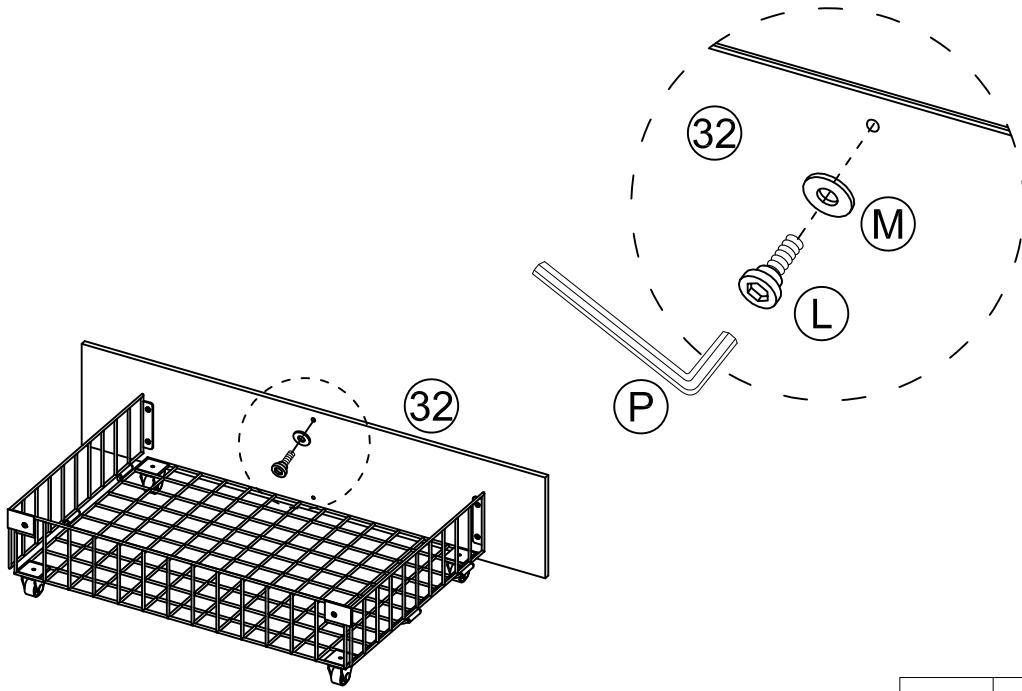
36



X4

	E × 20
	O × 1

37



X4

	(L) x4
	(M) x4
	(P) x1

38

