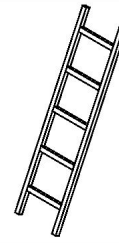
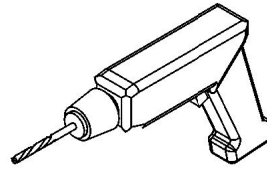
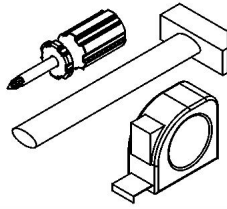
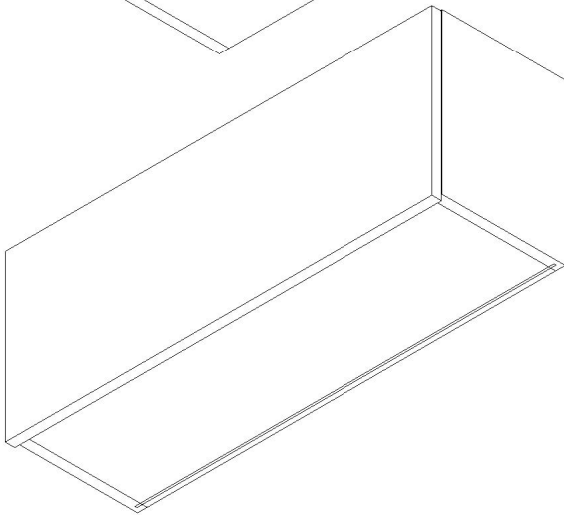
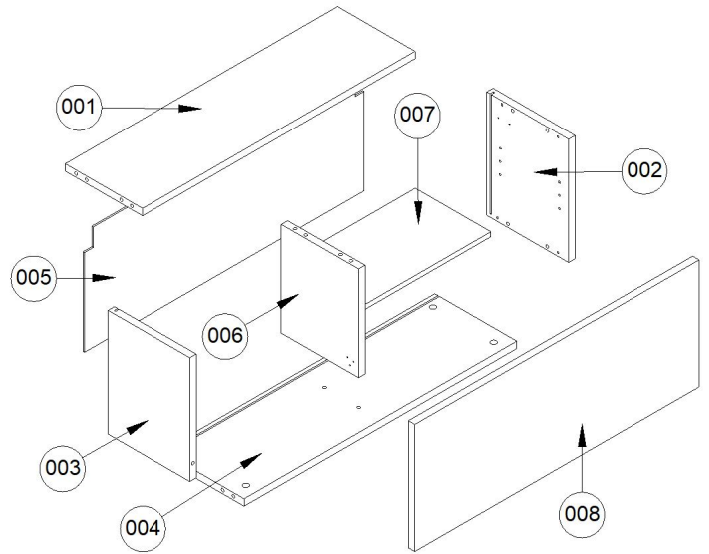
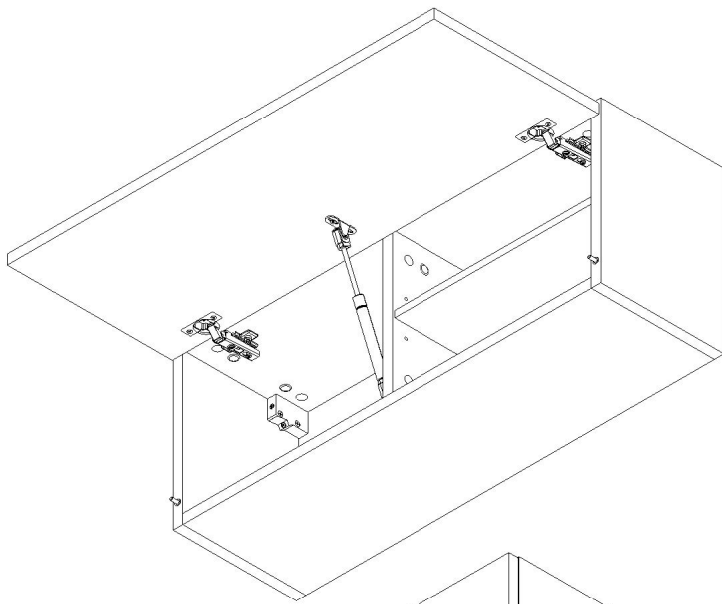


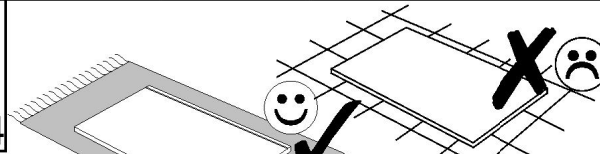
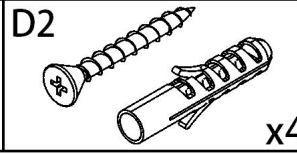
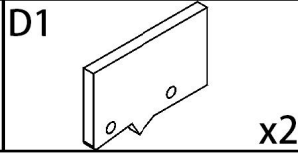
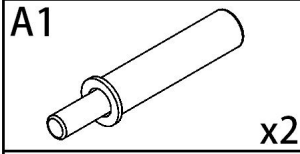
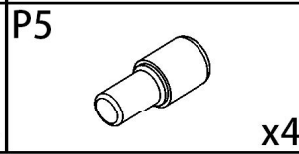
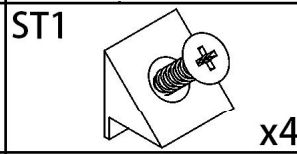
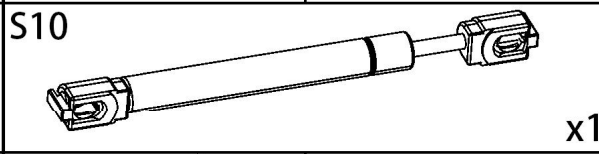
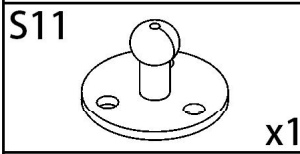
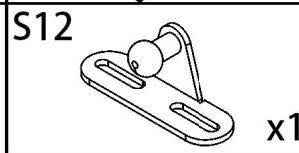
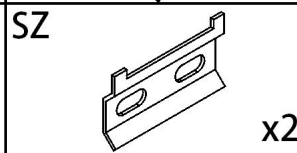
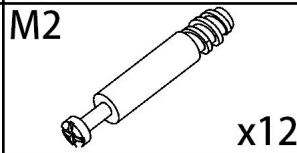
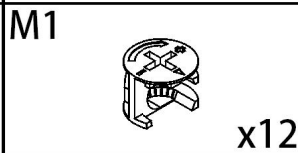
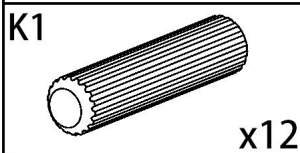
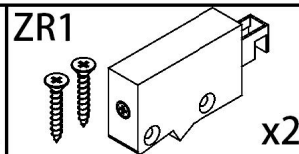
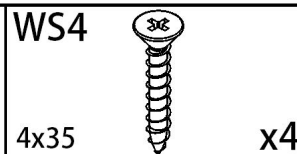
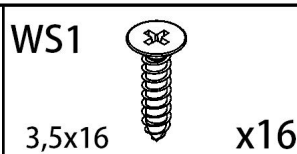
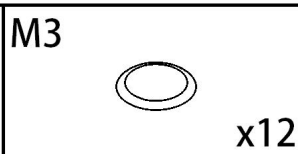
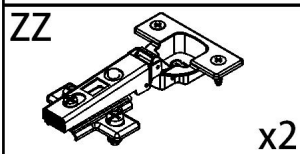
- 45 min.

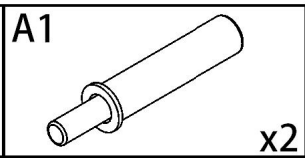
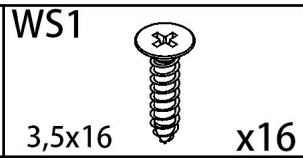
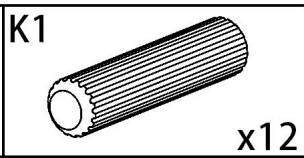
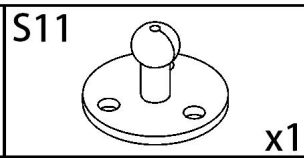
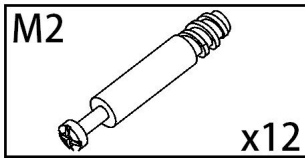


# SZL80

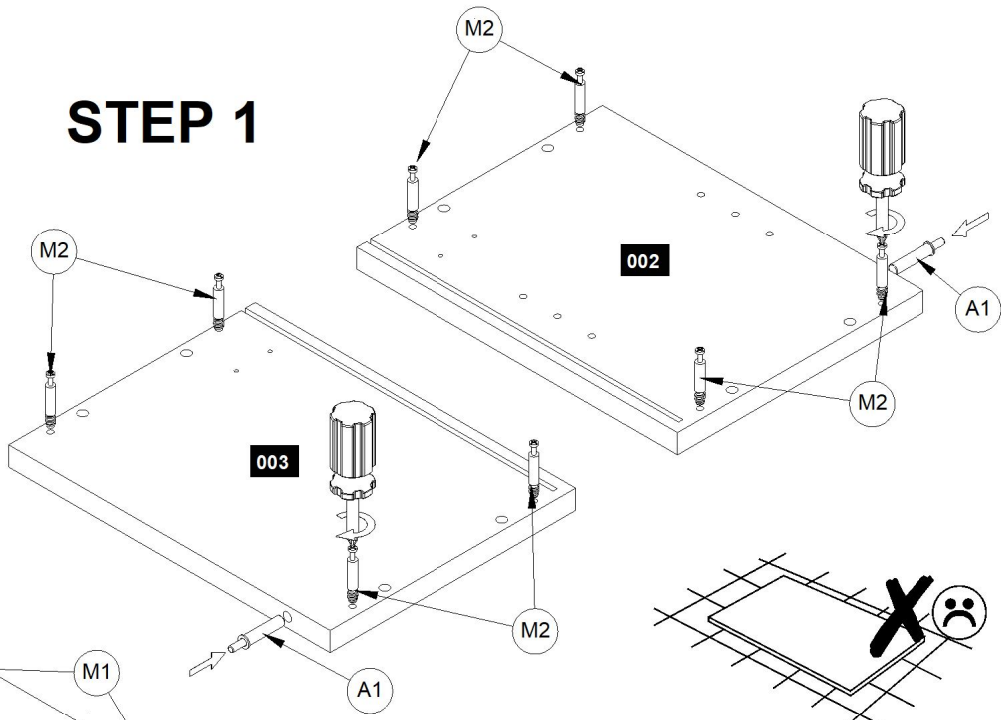
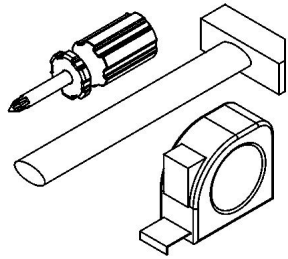


Number	Qty	Size A	Size B
001	1	764	217
002	1	300	230
003	1	300	230
004	1	764	230
005	1	292	784
006	1	264	216
007	1	373	212
008	1	308	798

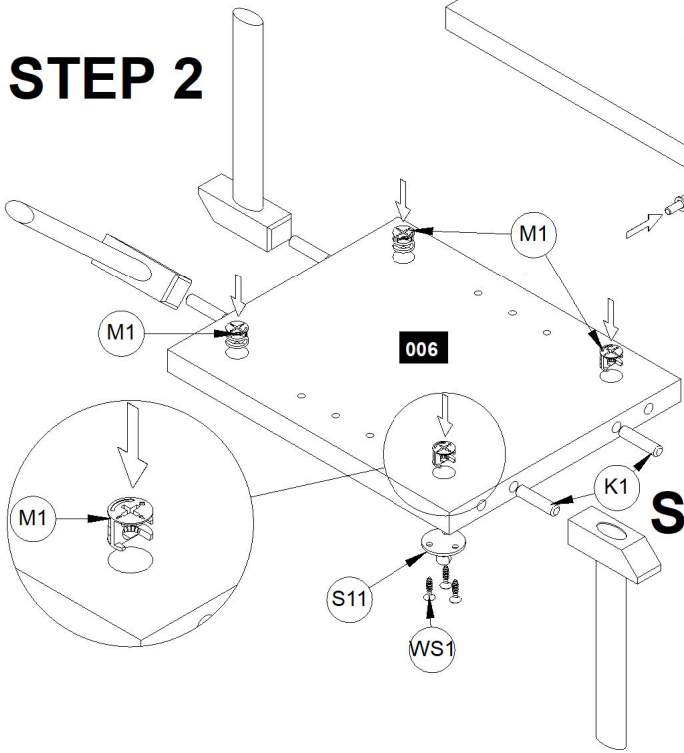




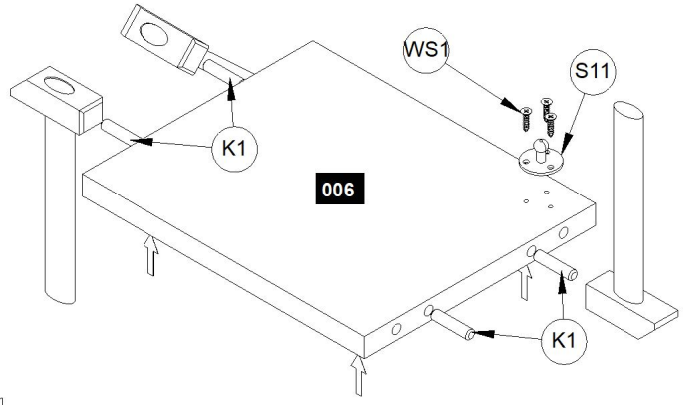
# STEP 1



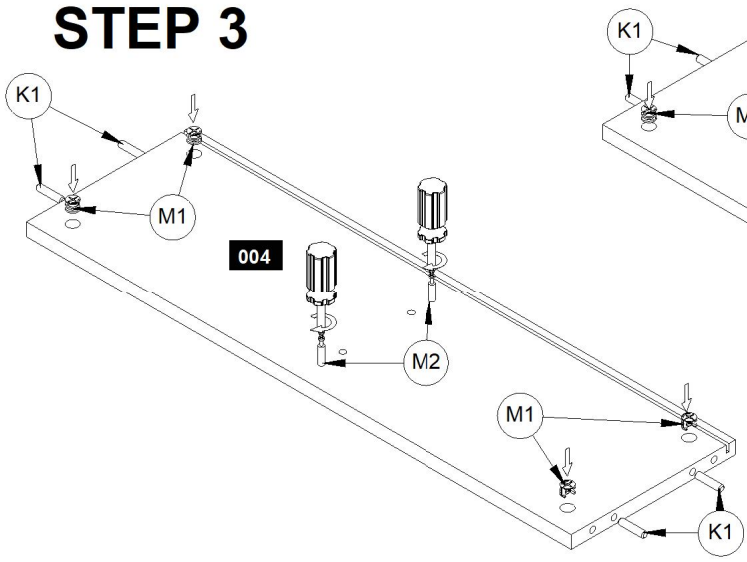
# STEP 2



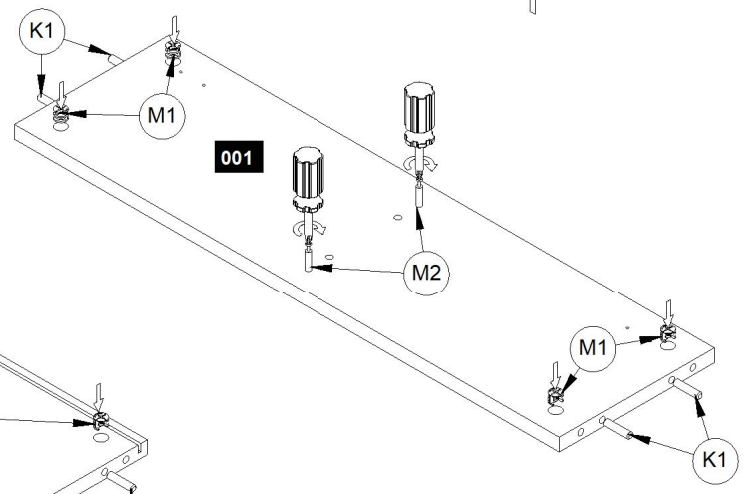
# STEP 180°

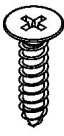
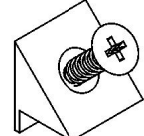
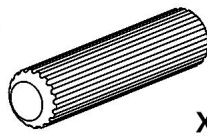

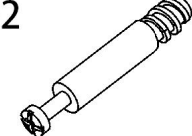
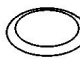
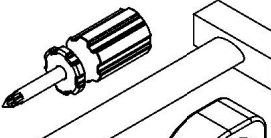


# STEP 3

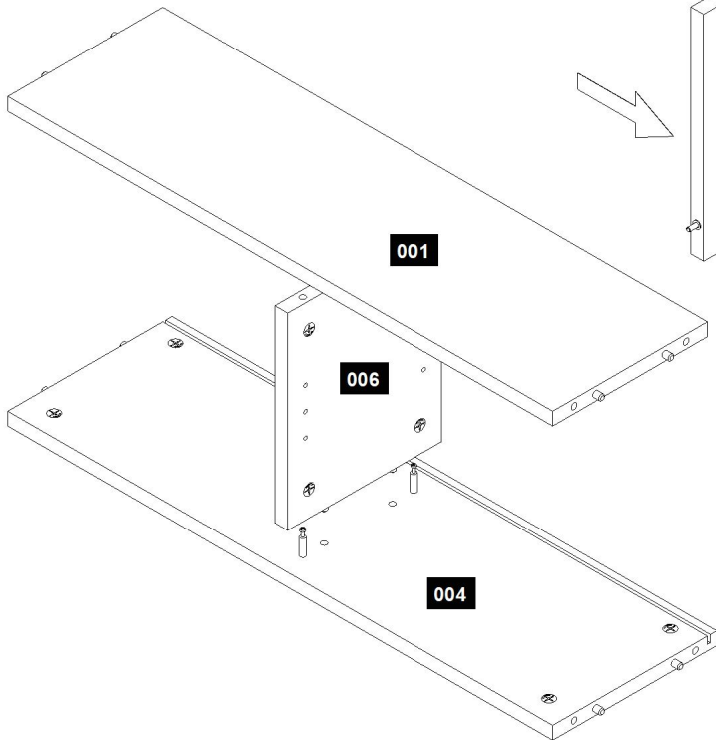


# STEP 4

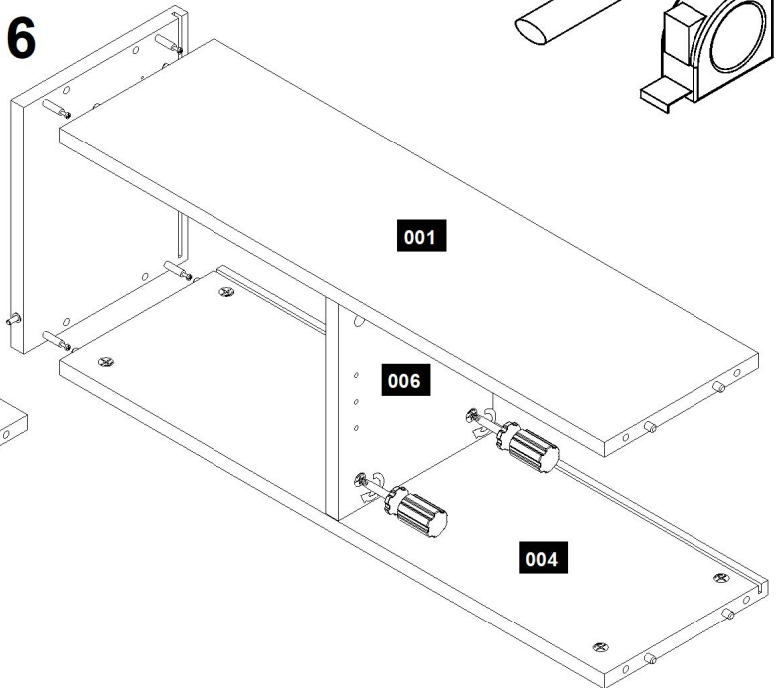


<b>WS1</b>  3,5x16 x16	<b>ST1</b>  x4	<b>K1</b>  x12	<b>M1</b>  x12	<b>M2</b>  x12
<b>M3</b>  x12				

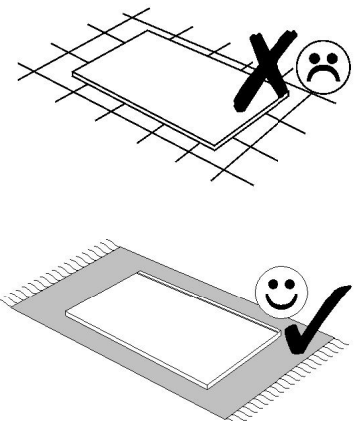
### STEP 5



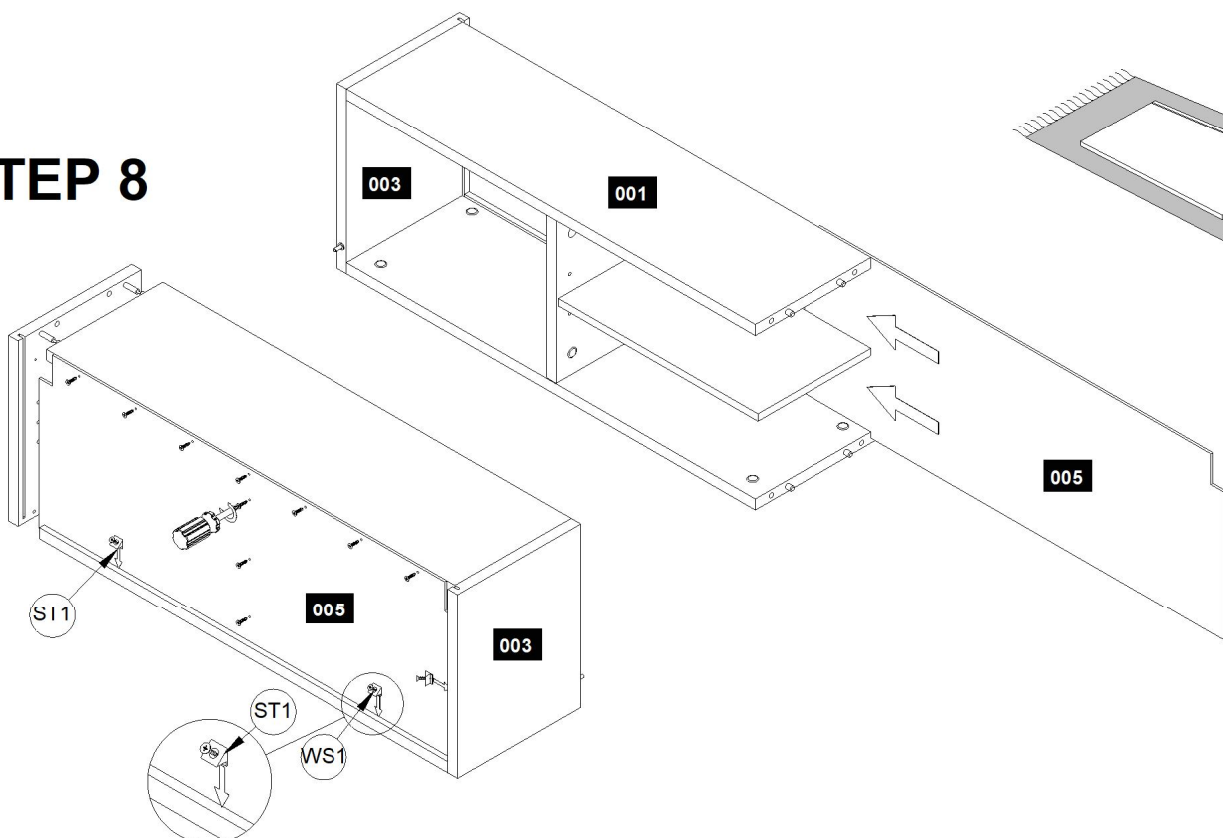
### STEP 6

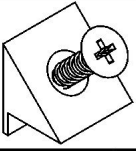
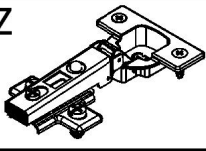

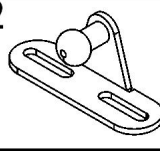
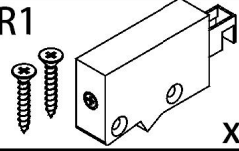
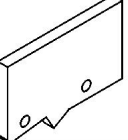
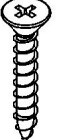


### STEP 7

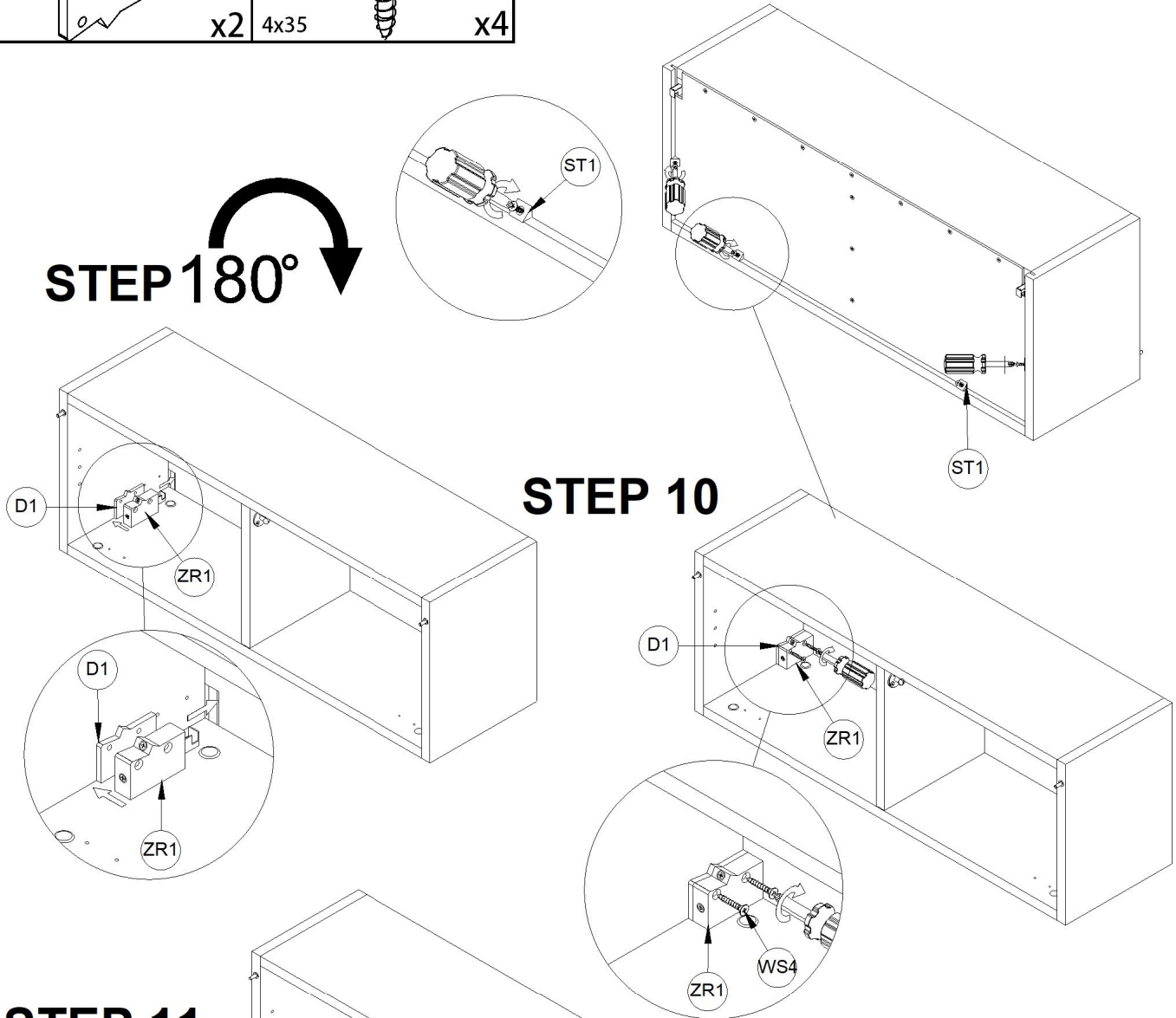


### STEP 8

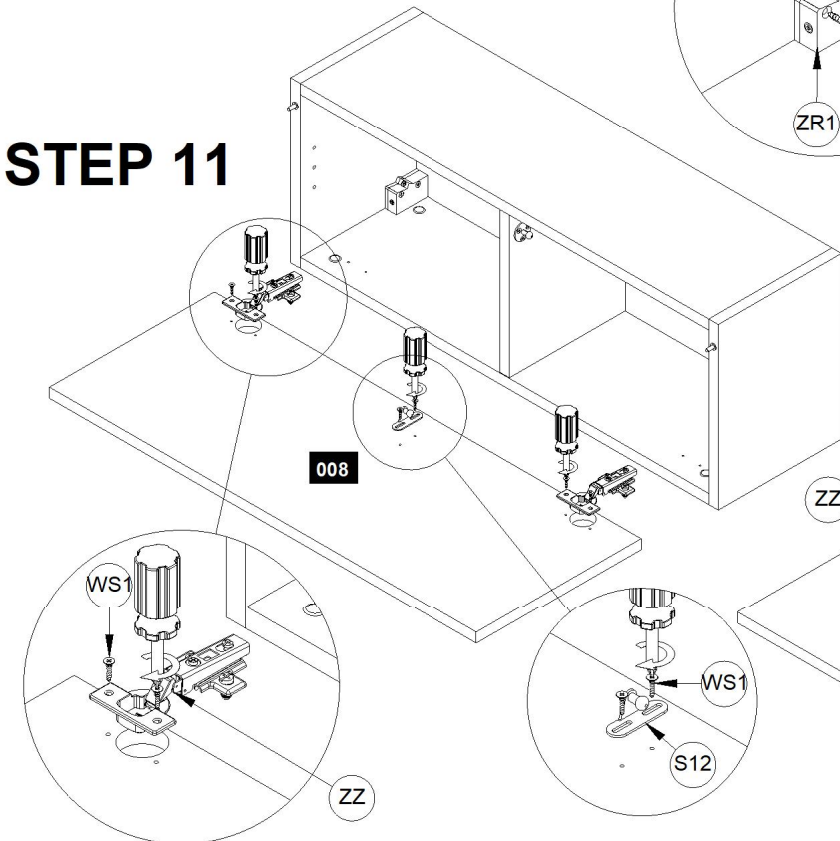


ST1  x4	ZZ  x2	WS1  3,5x16 x16	S12  x1	ZR1  x2
D1  x2	WS4  4x35 x4	<b>STEP 9</b>		

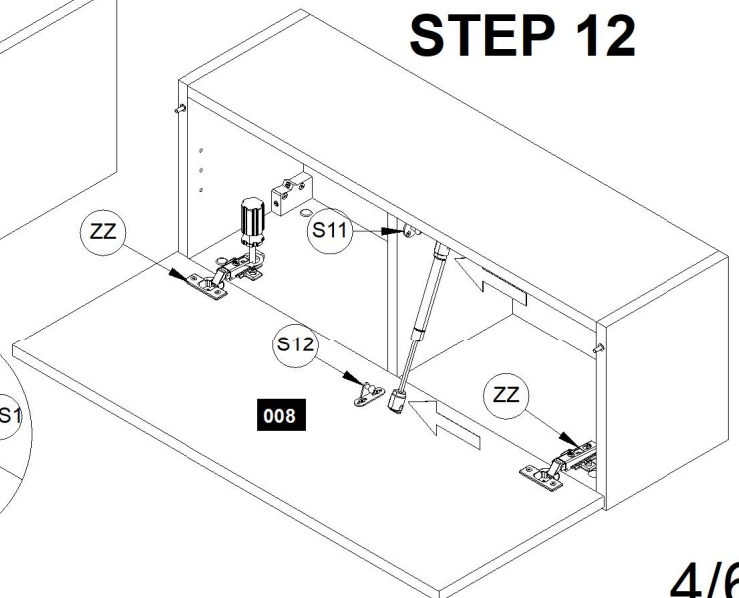
**STEP 180°**



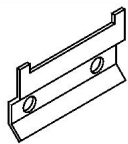
**STEP 11**



**STEP 12**

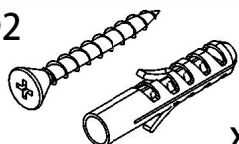


SZ



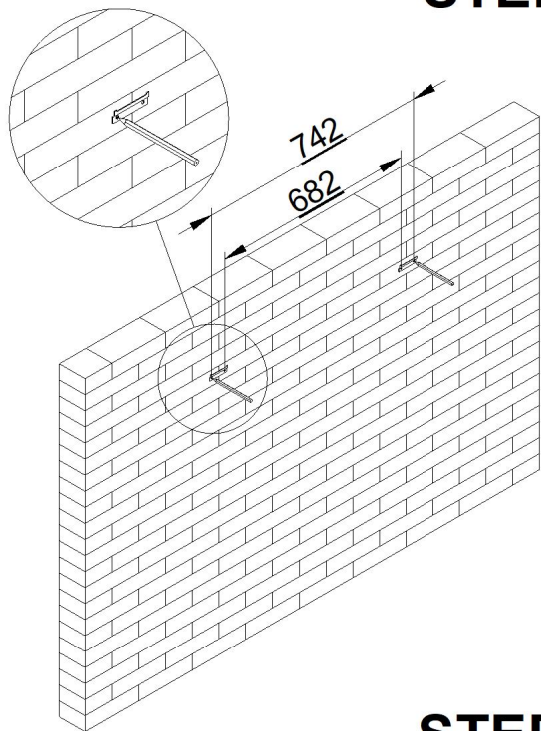
x2

D2

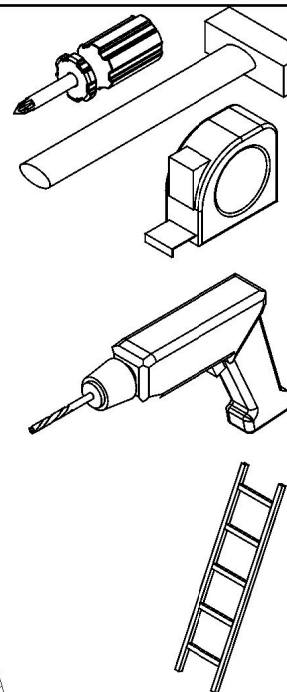
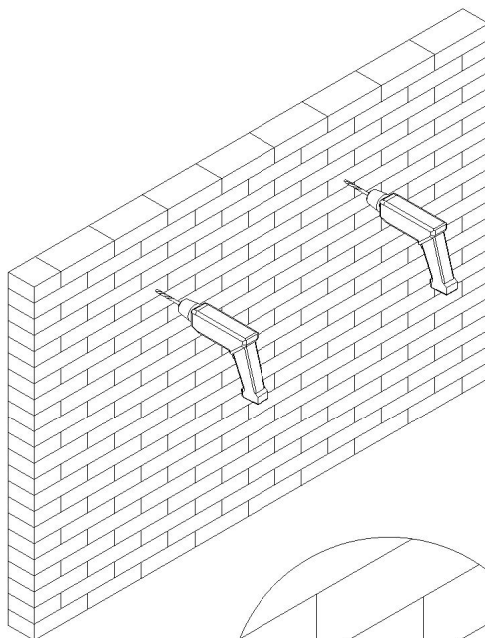


x4

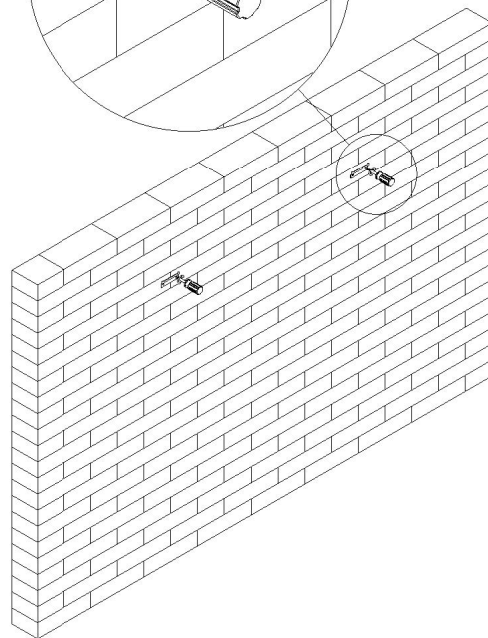
### STEP 13



### STEP 14



### STEP 15



### STEP 16

