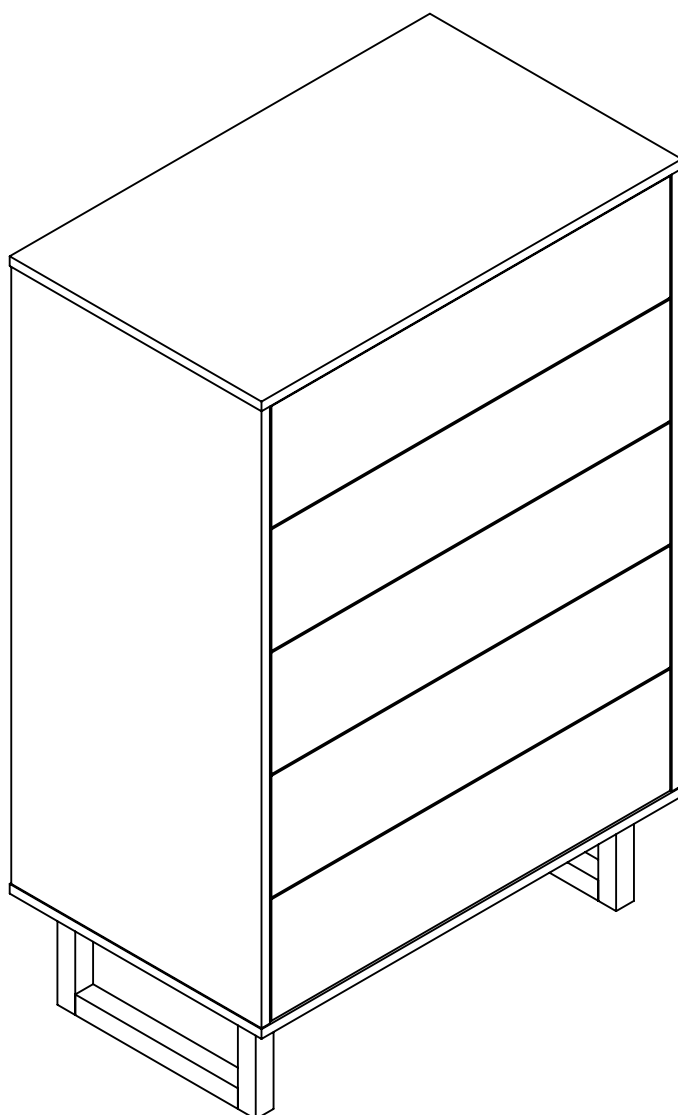


# Assembly Instruction

---



---

801x1230x480

---

**Batch code:**



**Woodman OÜ**

Made in Estonia  
Mäo, Järvamaa  
[www.woodman.ee](http://www.woodman.ee)  
[support@woodman.ee](mailto:support@woodman.ee)

# Dear Customer

Congratulations on your new purchase. Follow this advice and get the best result when assembling the product.

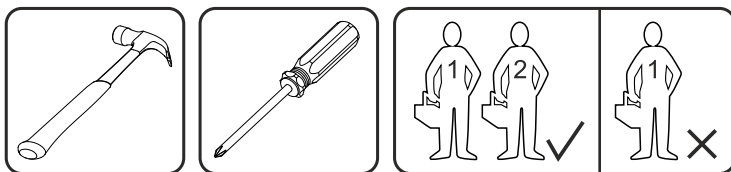
Read the instruction carefully before you start  
Get help, If two persons are required for assembly  
Make sure, you have all parts on the total material list  
Work on a soft, flat surface to avoid any damage to the finish

Follow the assembly instruction  
Tighten the furniture joints after a month  
Keep the assembly instruction

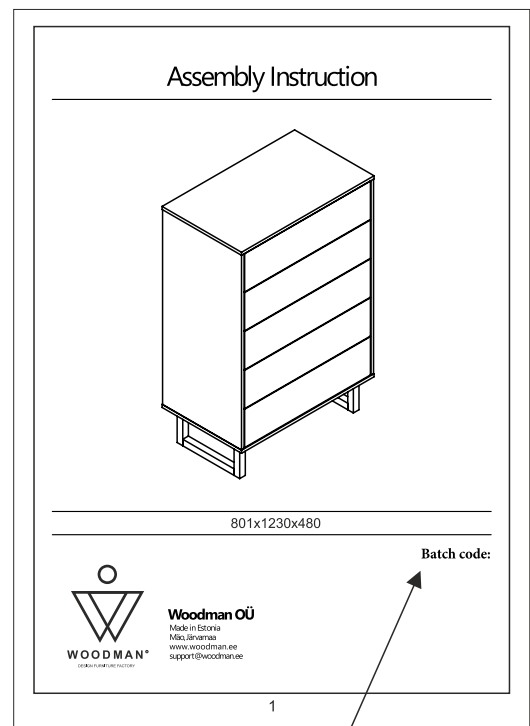
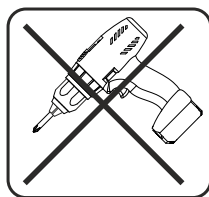
## Allocate time

Some furniture can be assembled in minutes. Others - e.g. products in several parts - can take more than an hour to finish. Make sure to allocate good time or divide up the work.

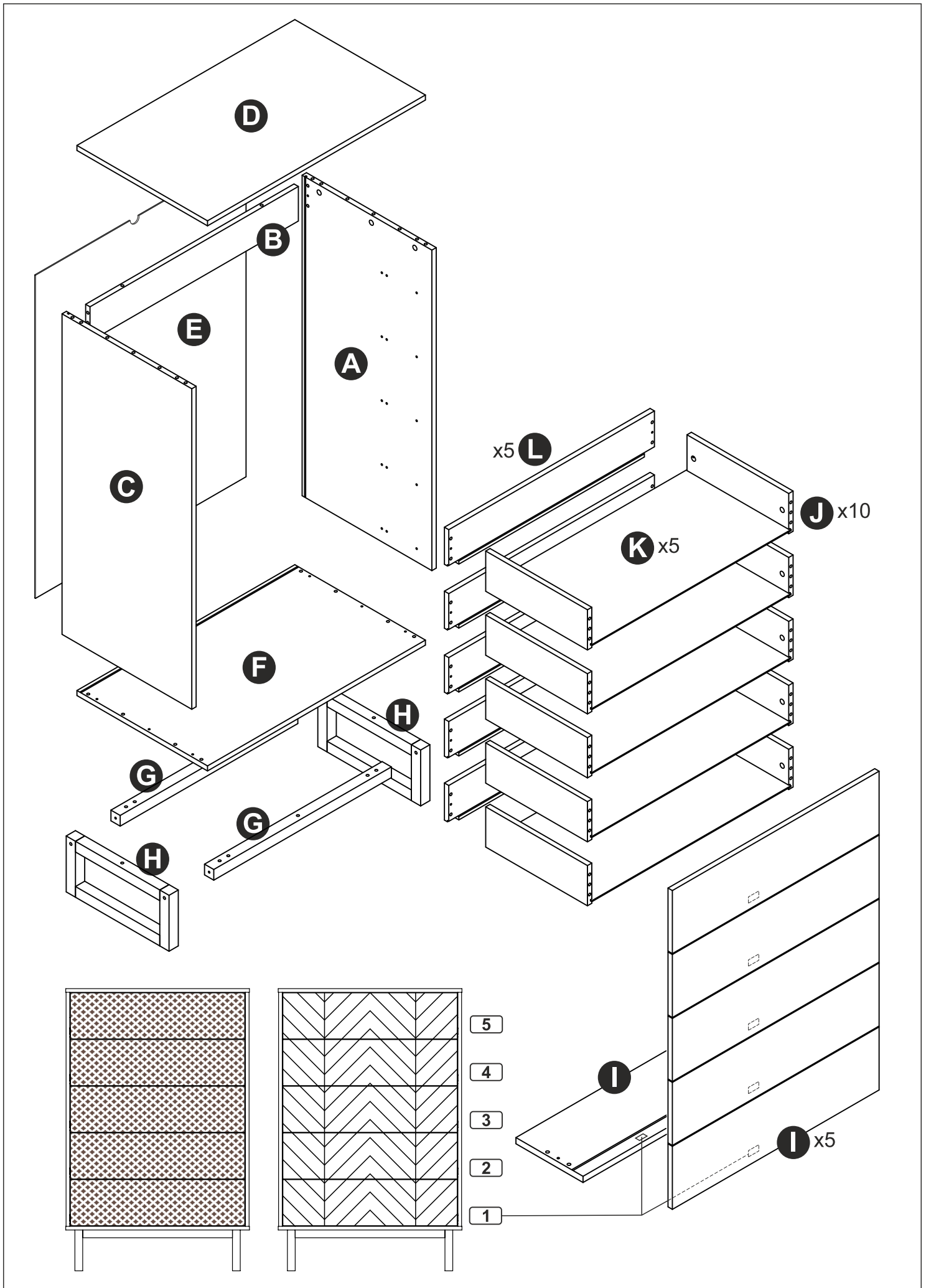
## Tools needed

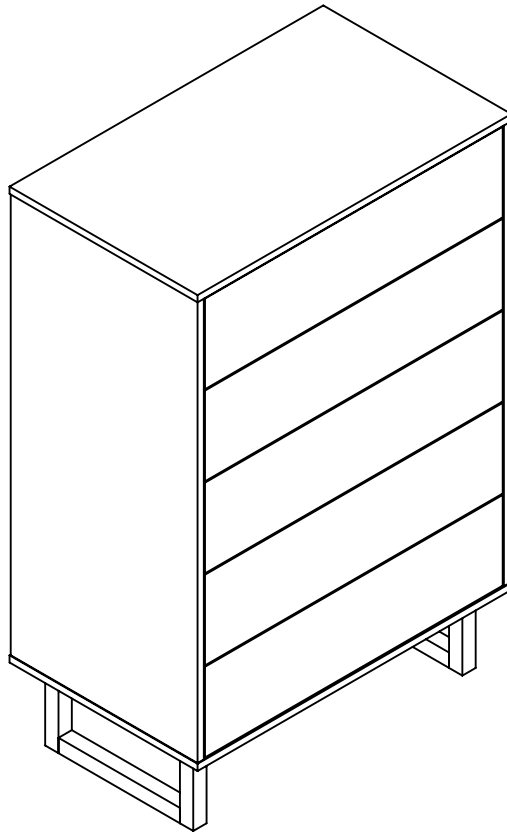


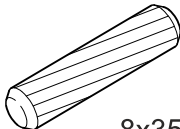

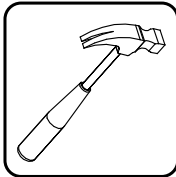

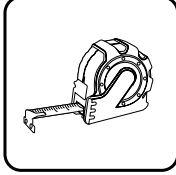
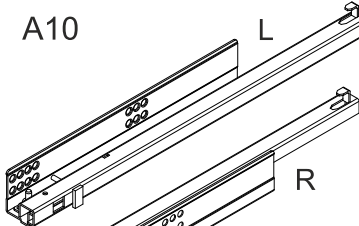
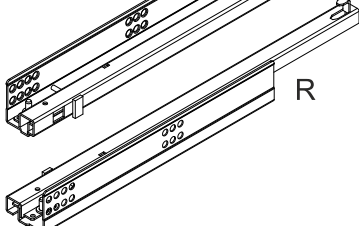
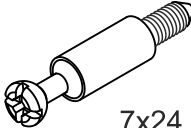

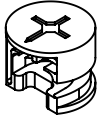


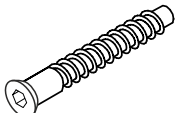
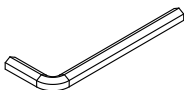

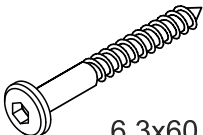
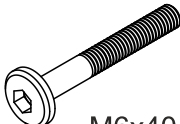
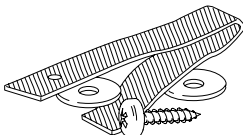
## Don't use!!!



ENG - In case of any quality issues, contact your local dealer and always mention item Batch code.  
FR - En cas de problèmes de qualité, contactez votre revendeur local et mentionnez toujours la référence de l'article / Batch code.  
IT - In caso di eventuali problemi di qualità, contattare il rivenditore locale e citare sempre punto di riferimento No / Batch code.  
ES - En caso de problemas de calidad, póngase en contacto con su distribuidor local y mencione siempre la referencia del artículo / Batch code.  
DE - Wenn Sie Qualitätsprobleme haben wenden Sie sich bitte an ihren örtlichen Händler und erwähnen Sie immer die Artikelnummer / Batch code.

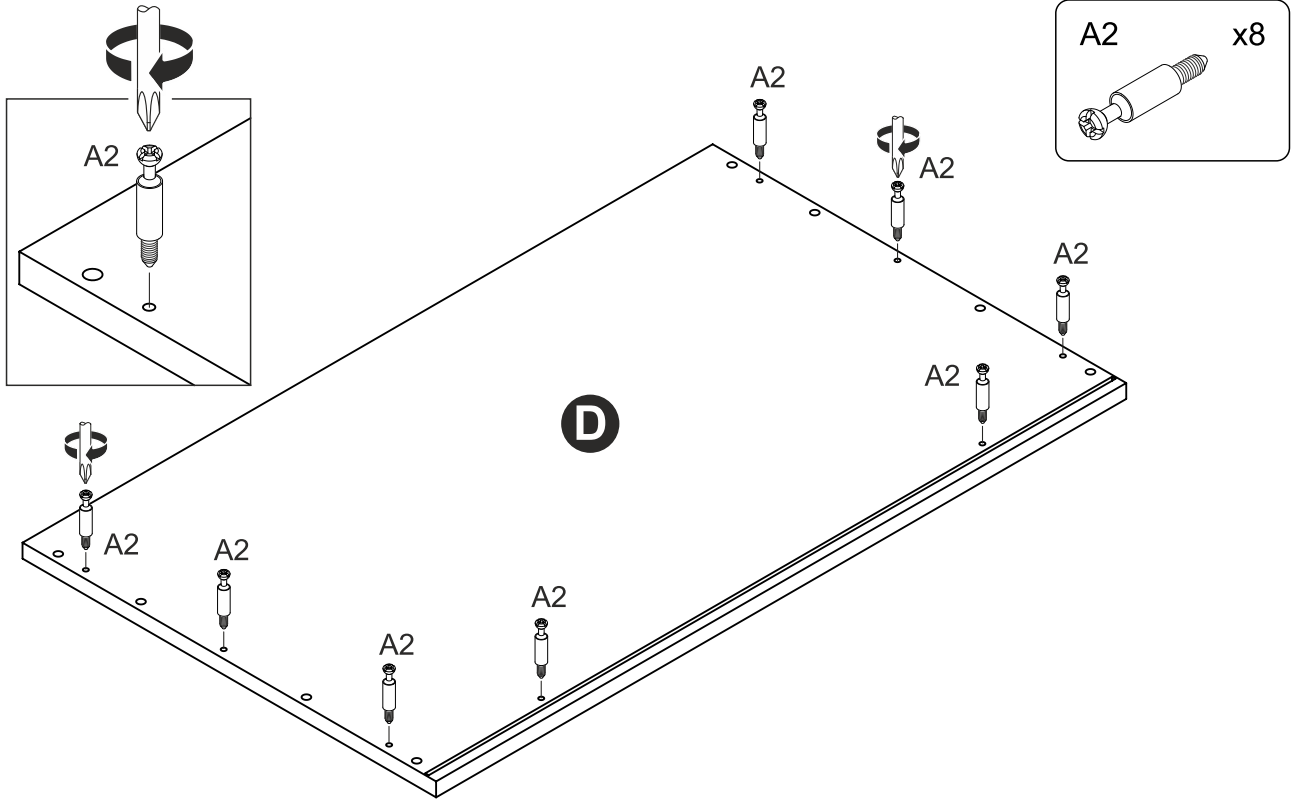




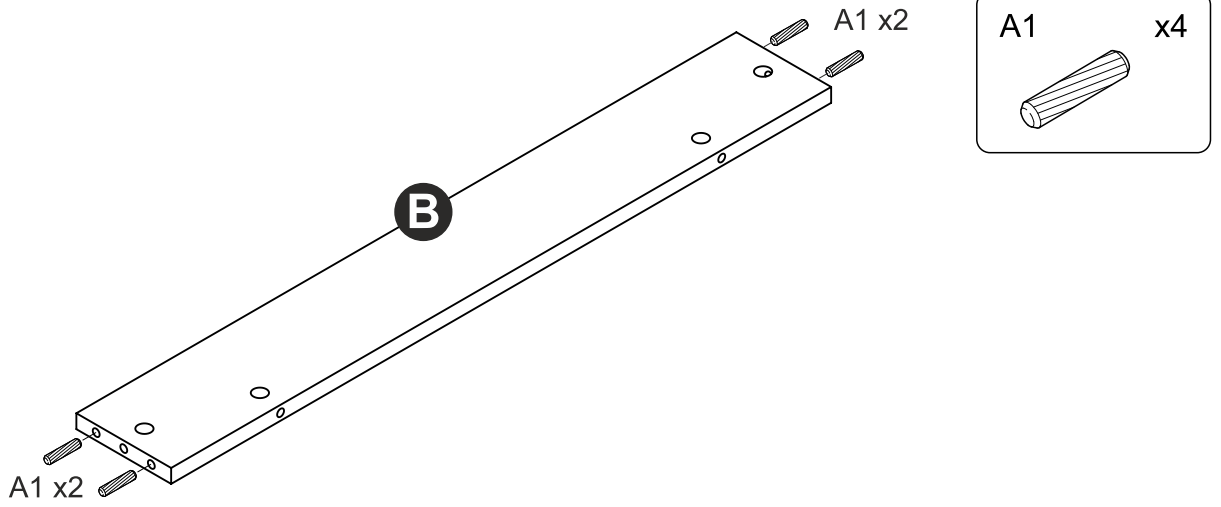
<p>A1  x64 8x35</p>	   	<p>A10  L x5  R</p>	
<p>A2  x30 7x24 mm</p>		<p>A11  x30 6,3x13 mm</p>	
<p>A3  x30</p>		<p>A4  x20</p>	<p>A7  x1 4 mm</p>
<p>A5  x6 5x50 mm</p>	<p>A8  x1 3 mm</p>	<p>A13  x4</p>	
<p>A6  x4 6,3x60 mm</p>	<p>A9  x8 M6x40</p>	<p>A14  x1</p>	



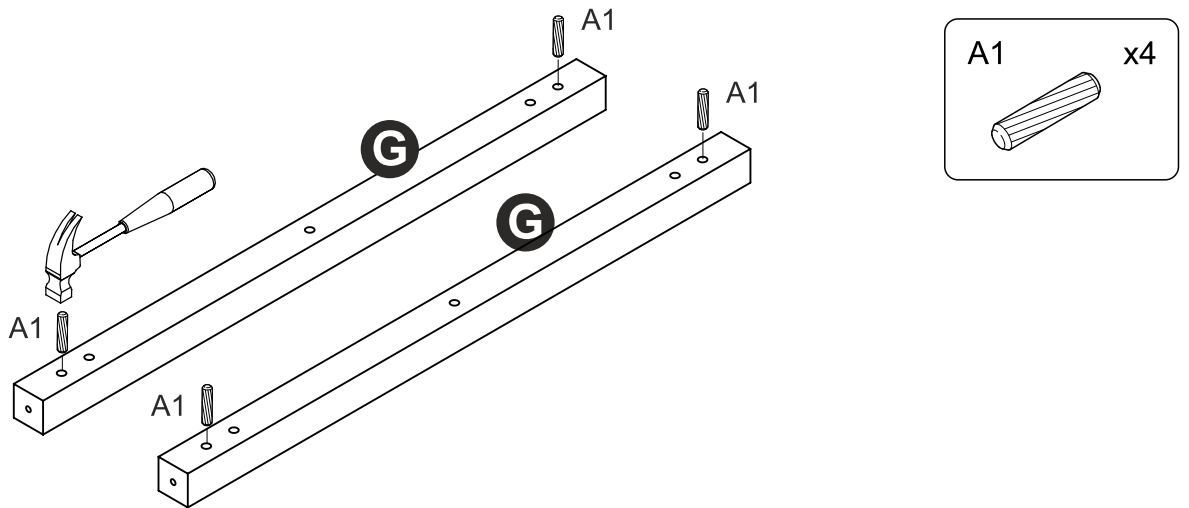
2



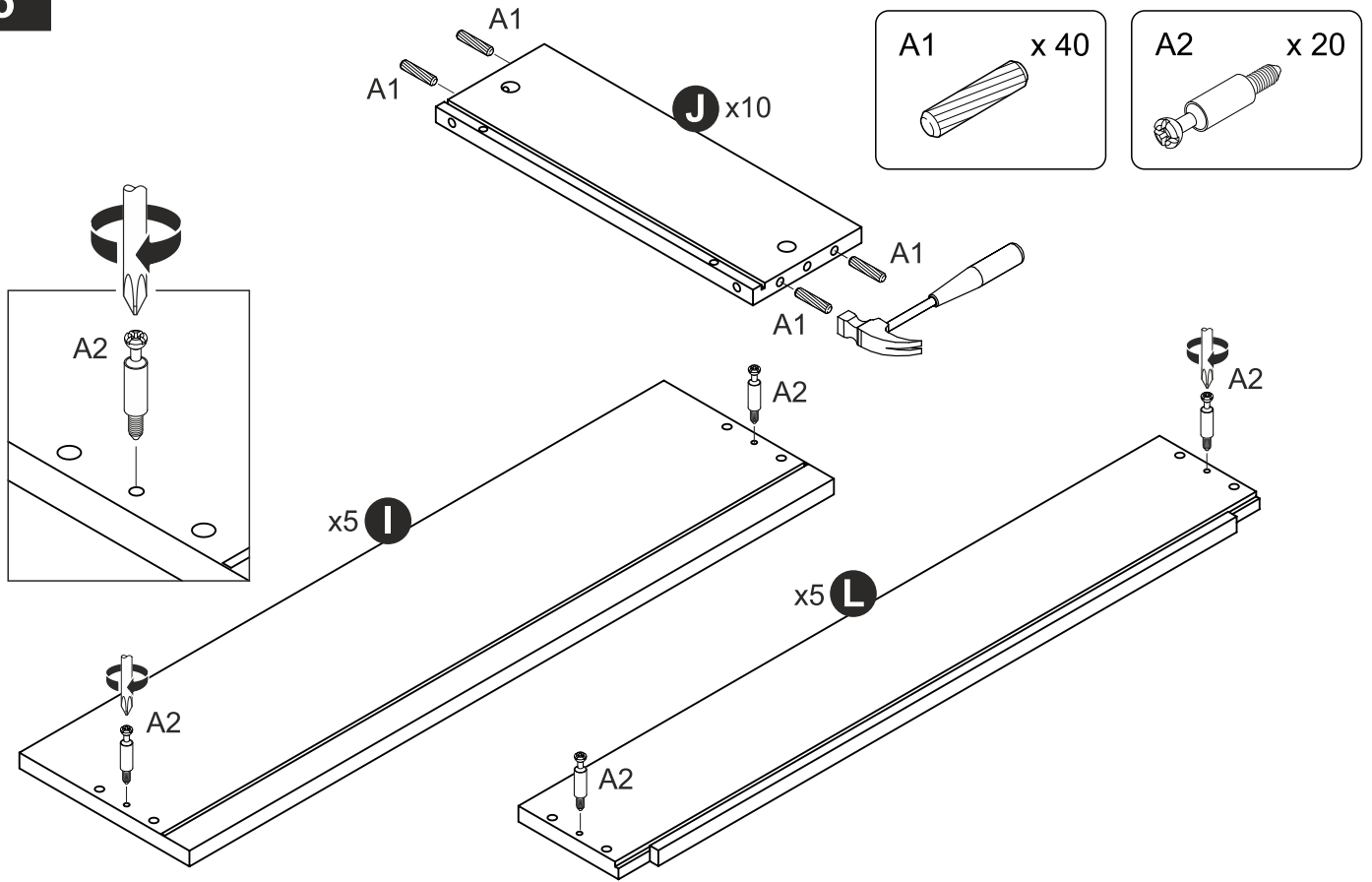
3



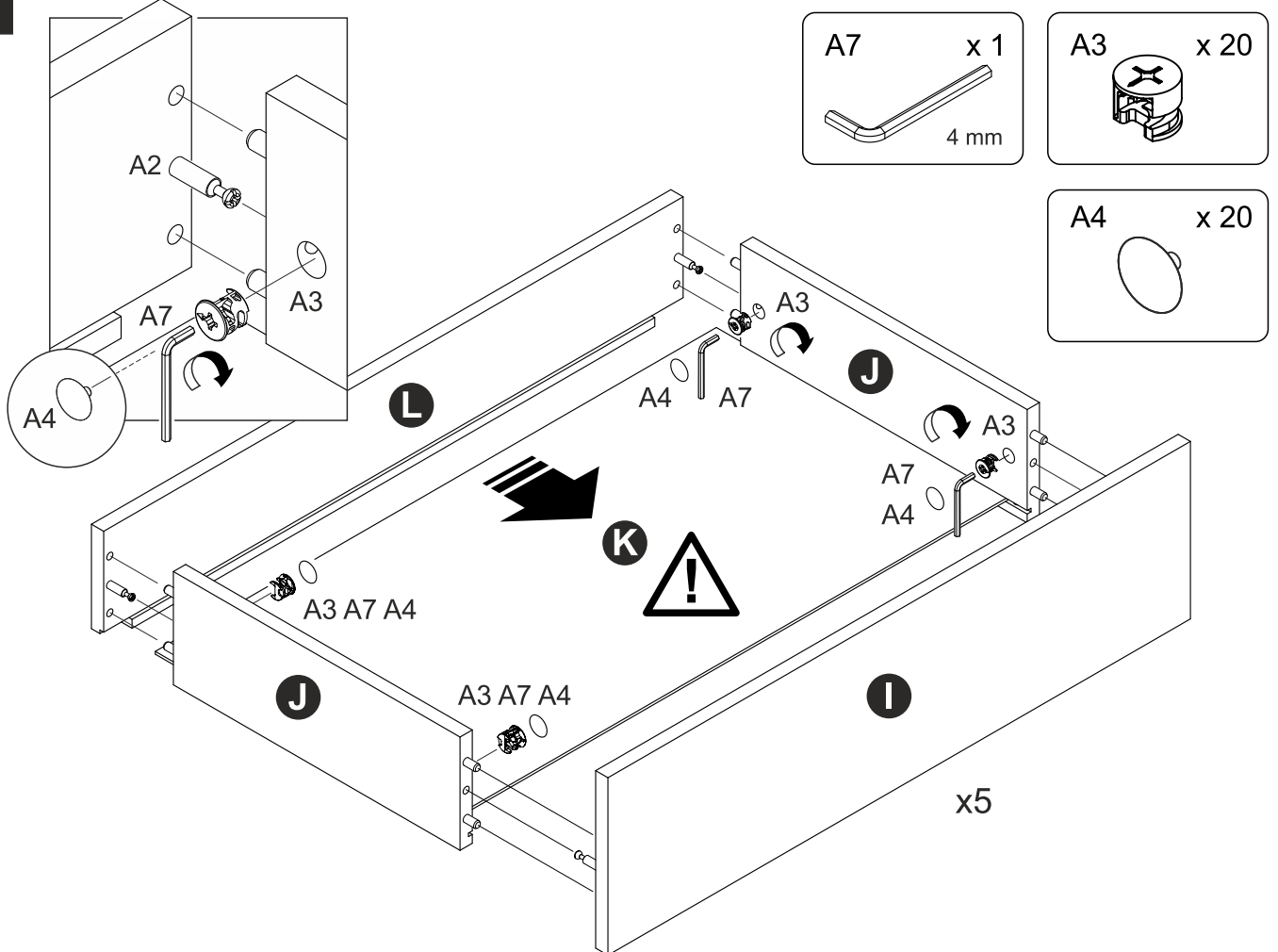
4



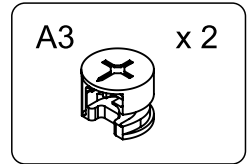
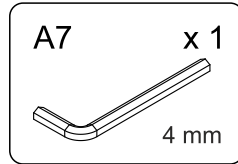
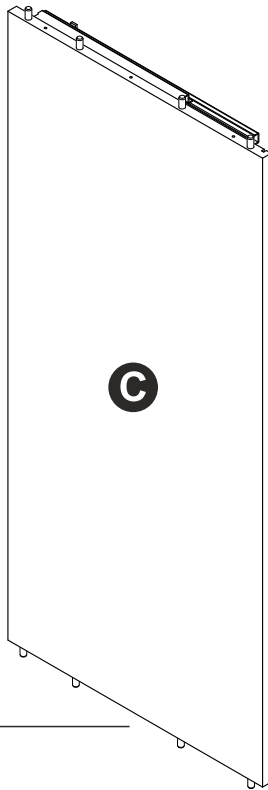
5



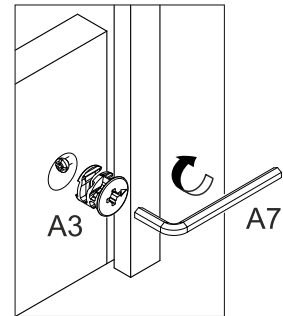
6



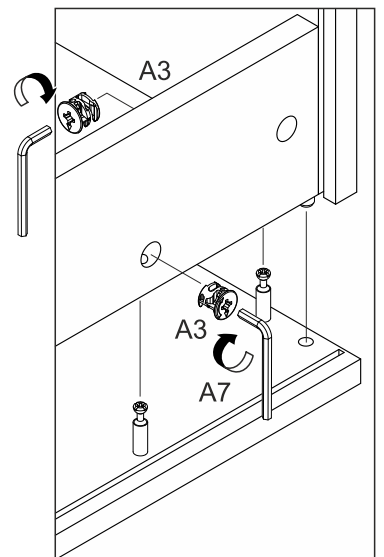
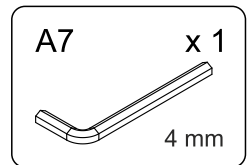
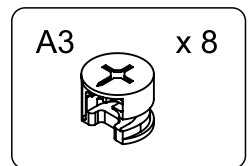
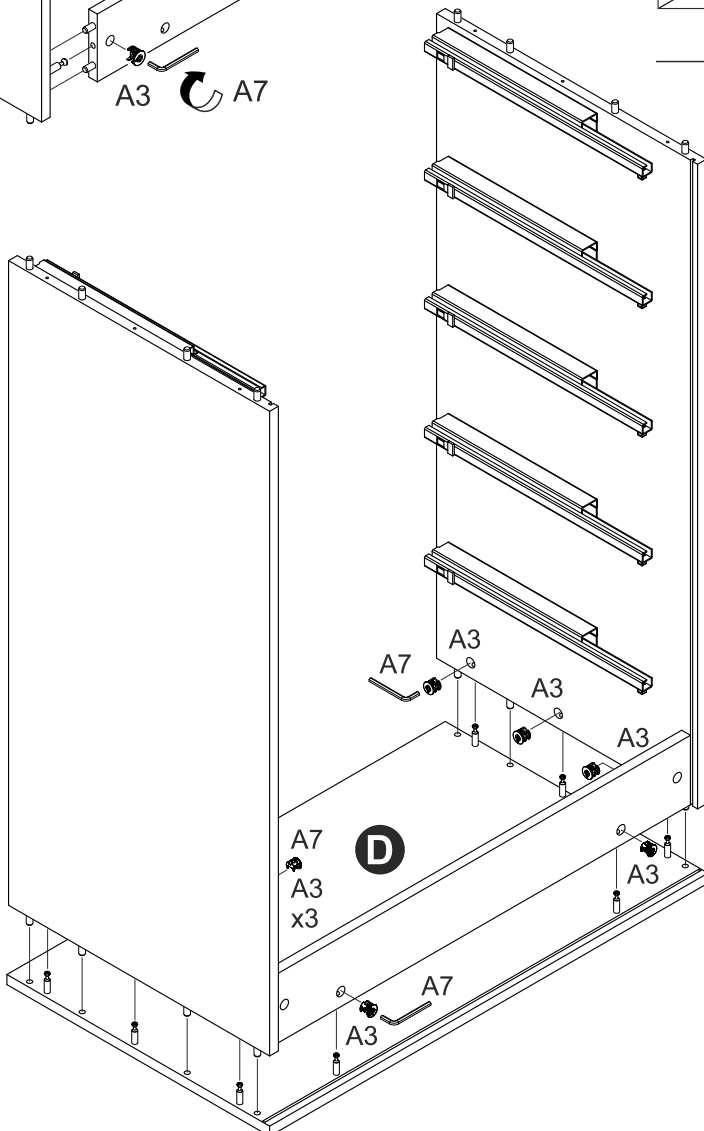
7



A

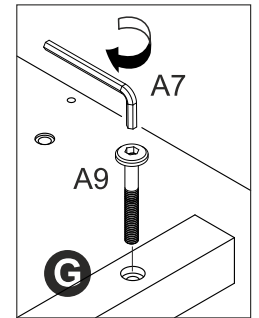
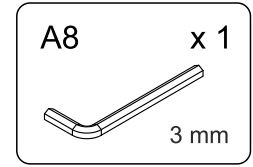
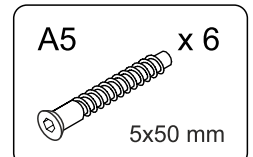
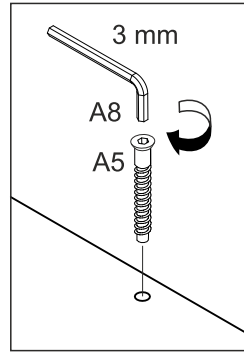
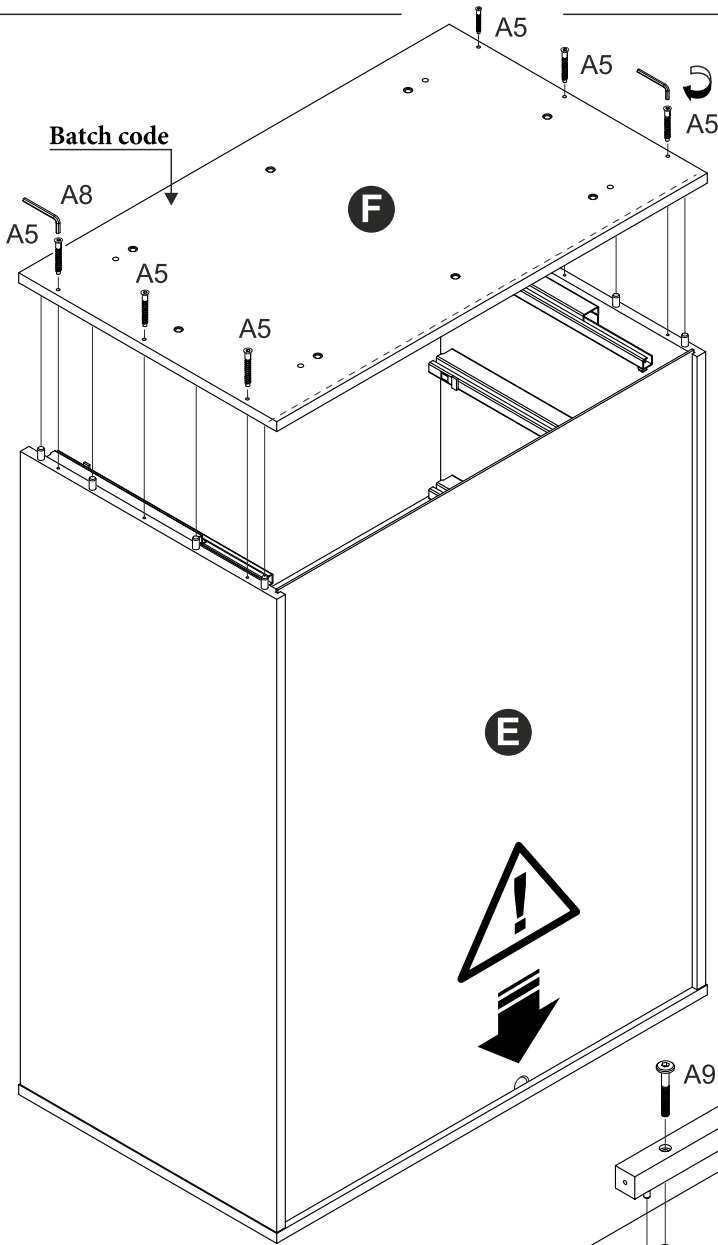


8

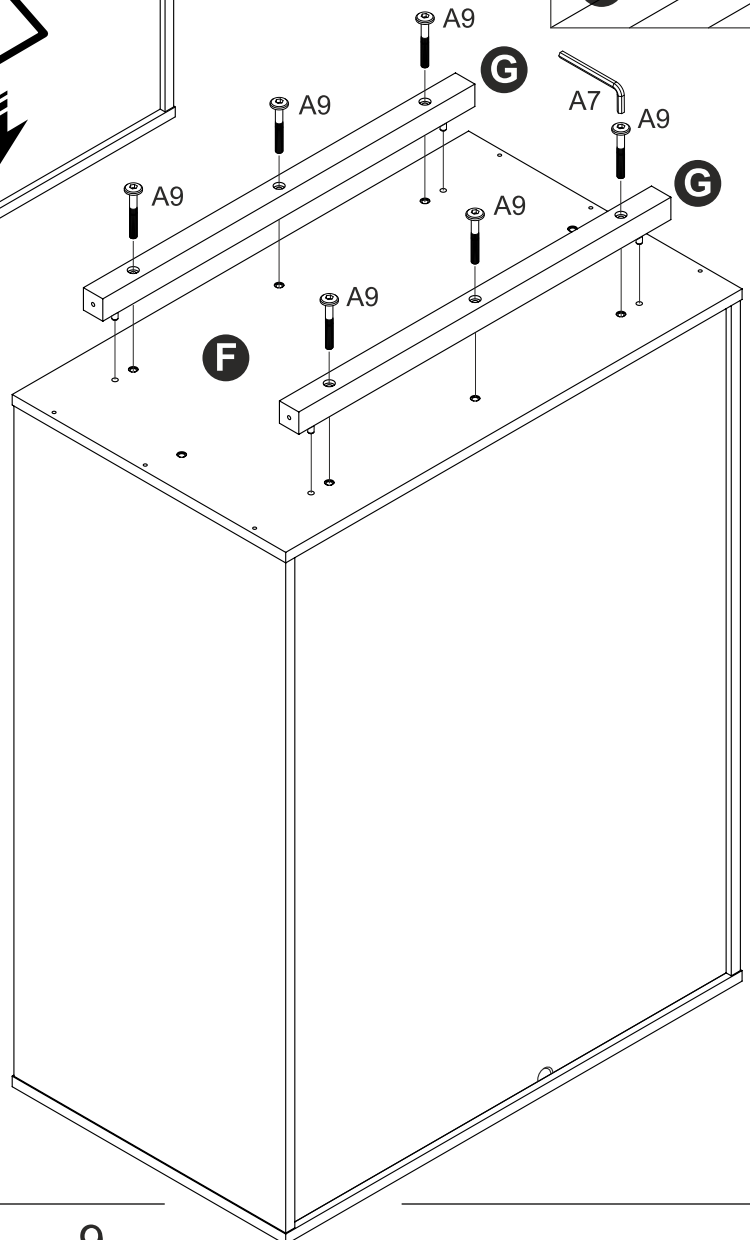
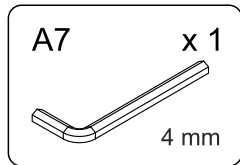
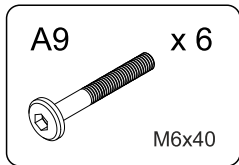




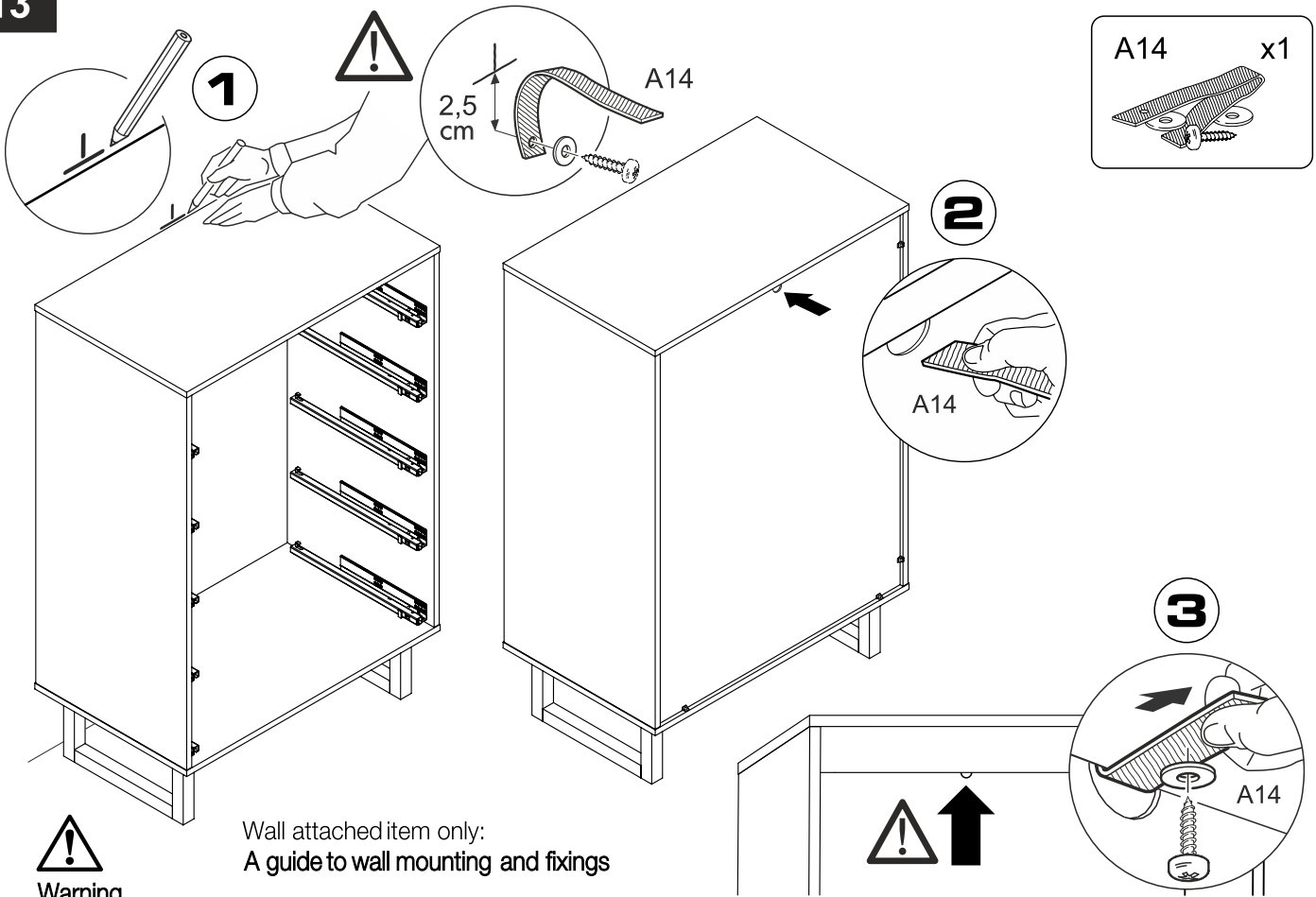
9



10







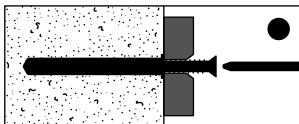
Wall attached item only:  
A guide to wall mounting and fixings

Wall fixing screws are not included, since different wall materials require different types of screws / fixings. Please ensure you use the correct screws / fixings for your type of walls and seek professional advice if you are not sure. Failure of the product due to incorrect fixings is the responsibility of the installer.

**Important:** When drilling into the walls always check that there are no hidden wires or pipes etc.

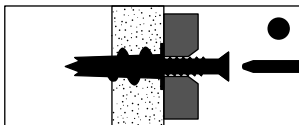
**Types of walls**

You can use one of the following types of wall plug if your walls are made of brick, breezeblock, concrete, stone or wood.



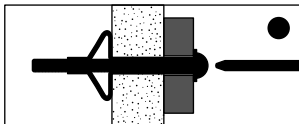
**1. General Purpose wall plug**

Generally aerated blocks should not be used to support heavy loads, use a specialist fitting in this case. For light loads, general - purpose wall plugs can be used.



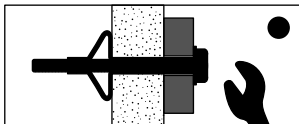
**2. Plasterboard wallplug**

For use when attaching light loads on to plasterboard partitions.



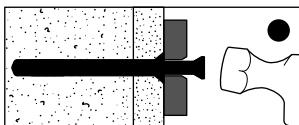
**3. Cavity Fixing wall plug**

For use with plasterboard partitions or hollow wooden doors.



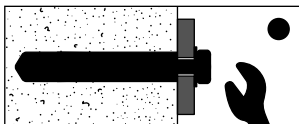
**4. Cavity Fixing - Heavy Duty wall plug**

For use when fitting or supporting heavy loads such as shelving, wall cabinets and coat racks.



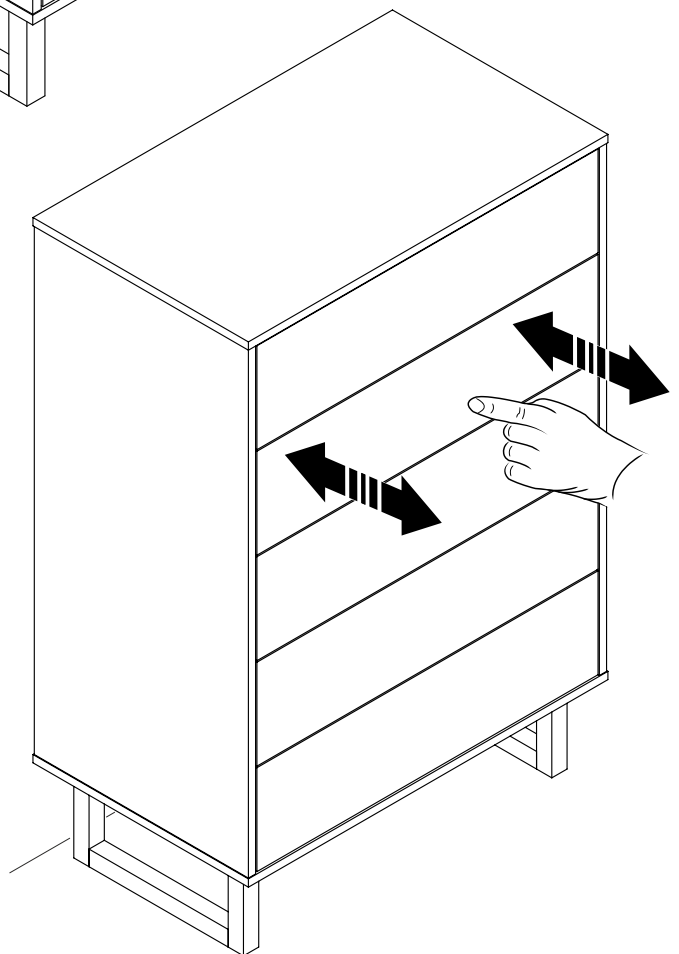
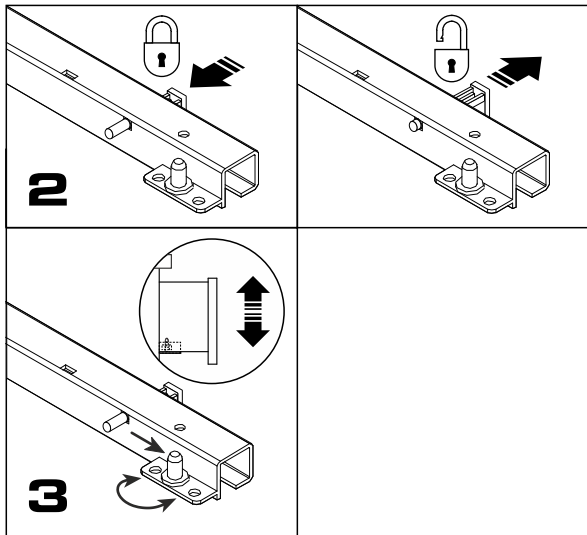
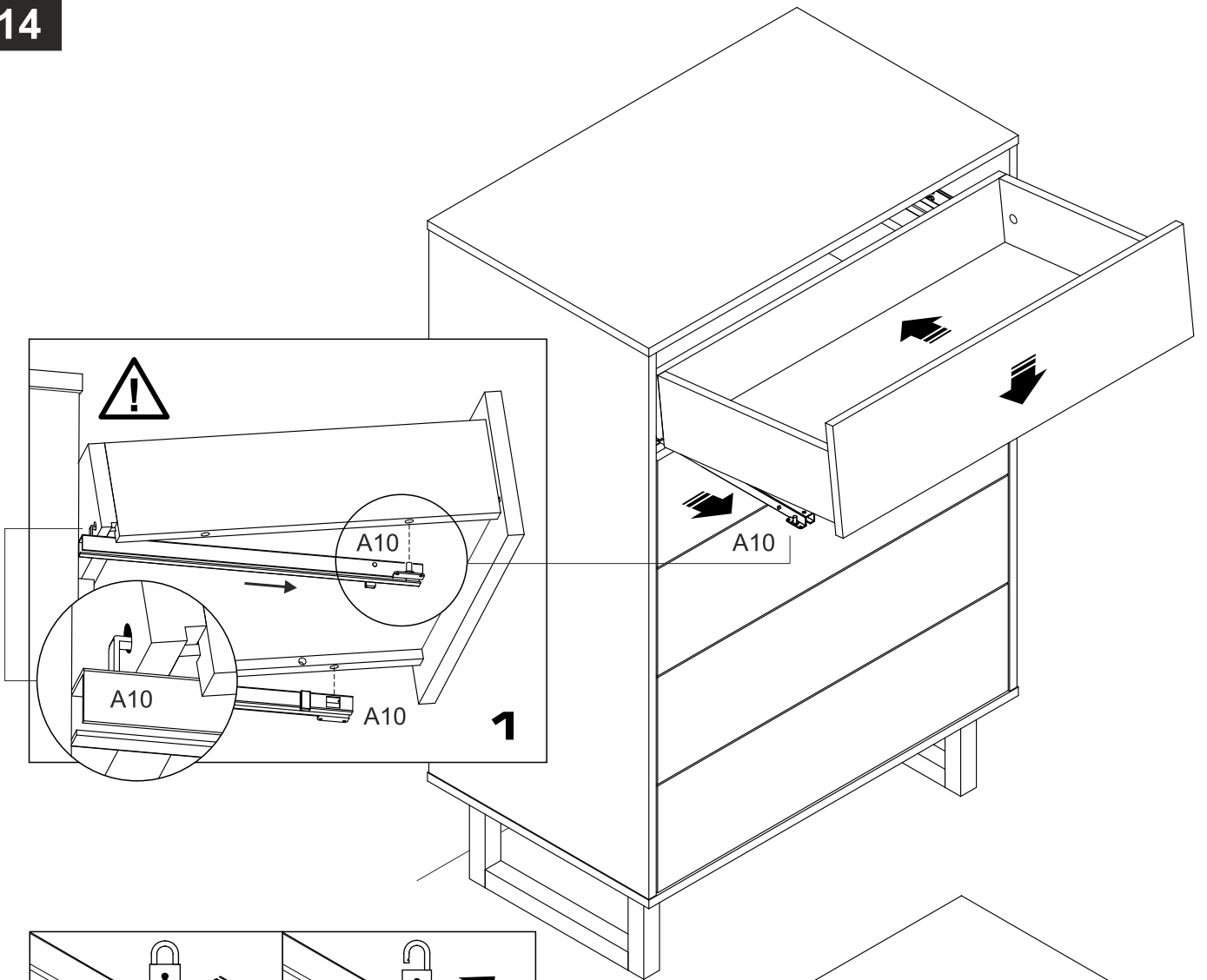
**5. Hammer Fixing wall plug**

For use with walls stuck with plasterboard. The hammer fixing allows it to be fixed to the wall rather than the plasterboard. Always check the fixing is secure to the retaining wall.



**6. Shield Anchor wall plug - Heavy loads**

For use with heavier loads such as 1V and Hi-Fi speakers and satellite dishes etc.



**Care and maintenance**

**Safety:** Periodically check all fittings and wall fixings to ensure they have not come loose and retighten as necessary

# Safety and Care Advice

---

## General care and maintenance

---

Only clean using a damp cloth and mild detergent, do not use bleach or abrasive cleaners.

From time to time check that there are no loose screws on this unit.

This product should not be discarded with household waste. Take to your local authority waste disposal centre.

## Cleaning and care of lacquered surfaces

---

Regular dusting with a dry cloth will keep your units clean.

Clean marks with a damp cloth.

Do not use abrasive cleaners.

Do not clean with products containing following:

Acetone (e.g nail varnish remover). Ammonia (e.g.bleach) or Sodium hydroxid (e.g. Caustic soda, drain and oven cleaners) .

To remove stubborn stain, wipe over with damp cloth and washing up liquid.

In the event of accidental contact with aggressive cleaners, rinse thoroughly with water. Use place mats to protect the surface from moisture and heat.

## Maximum weight limit

---

**Important:** Recommended maximum load for each shelf is shown below.

