

CORAL DINING TABLE

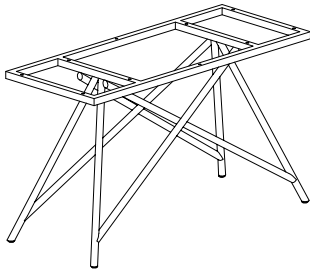
ASSEMBLY INSTRUCTIONS



PARTS PACKING CONFIGURATIONS

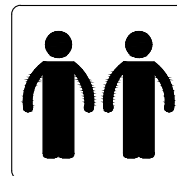
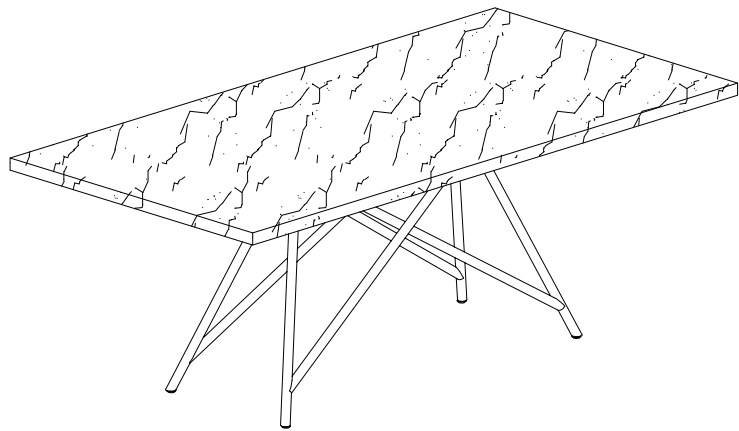
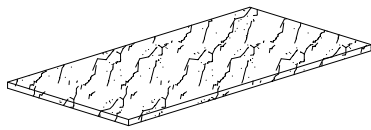
BOX #1

A. TABLE BASE 1PC

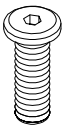

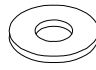
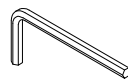


BOX #2

B. TABLE TOP 1PC



HARDWARE PACKED IN BOX #1

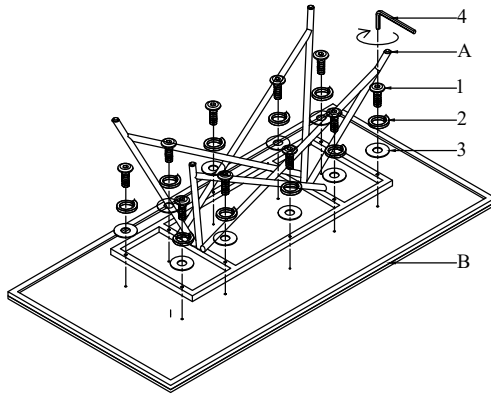
1	ALLEN BOLT (M6x45mm)	10PCS	2	SPRING WASHER (M6)	10PCS	3	FLAT WASHER (M6)	10PCS	4	ALLEN KEY (Ø4)	1 PC
											

CORAL DINING TABLE
ASSEMBLY INSTRUCTIONS



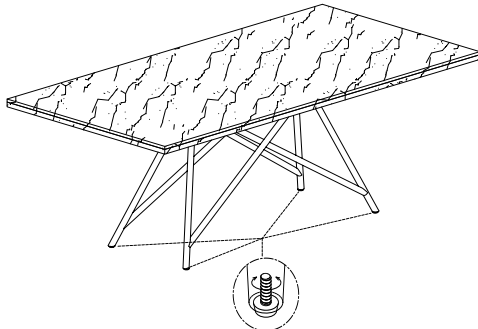
STEP 1

WITH ADDITIONAL HELP, PLACE THE TABLE TOP (B) UPSIDE DOWN ON A CLEAN, LEVEL AREA LIKE A BLANKET. ATTACH THE TABLE BASE (A) TO THE TOP PER THE ILLUSTRATION.



STEP 2

WITH ADDITIONAL HELP, STAND THE TABLE UPRIGHT BY HOLDING THE TOP. DO NOT ATTEMPT TO STAND THE TABLE BY YOURSELF OR BY TIPPING ONTO ITS BASE AS YOU CAN DAMAGE THE BASE.



LEVELER

ASSEMBLY COMPLETE