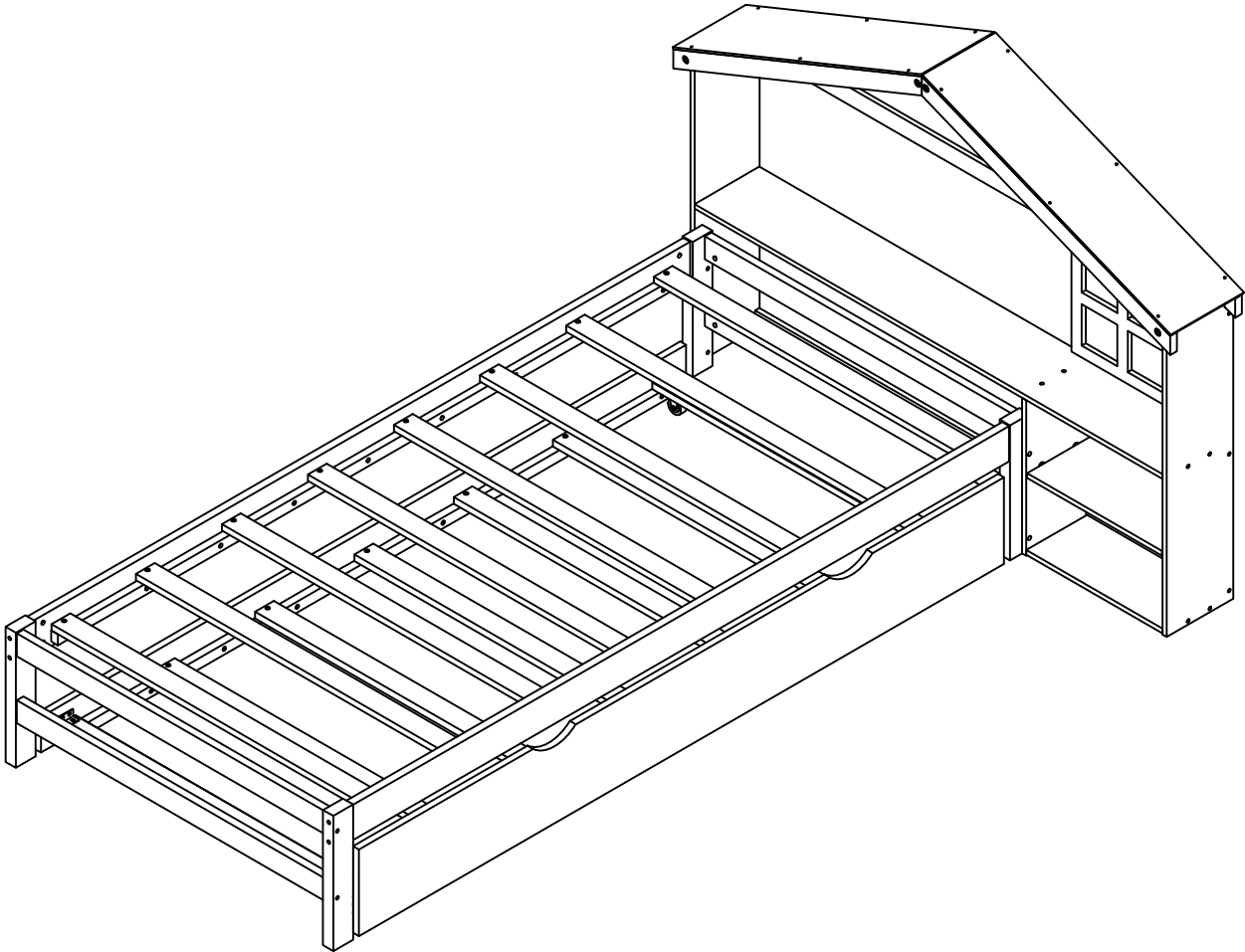


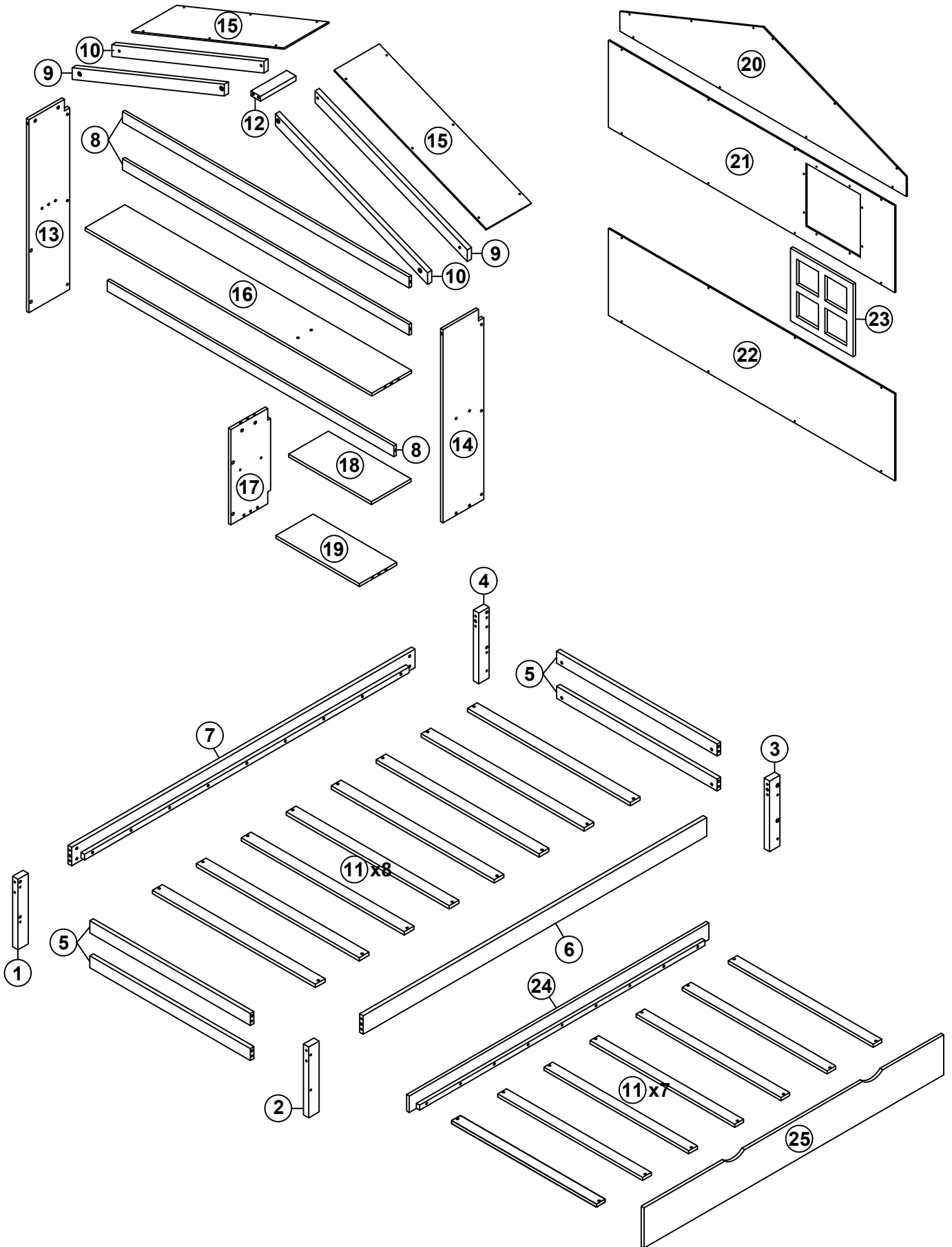
ASSEMBLY INSTRUCTIONS

BETT




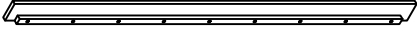

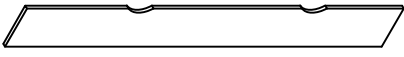
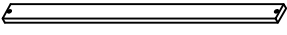
WF319015/WF319016

ASSEMBLY INSTRUCTIONS

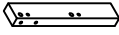
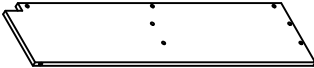
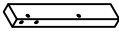

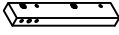

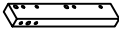
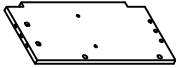
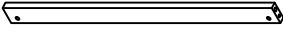

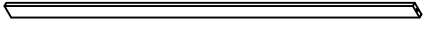

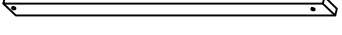
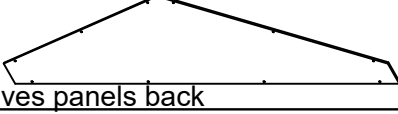
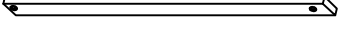
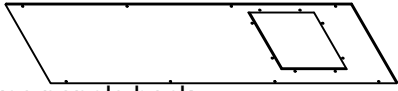
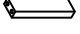

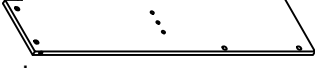
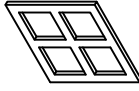


ASSEMBLY INSTRUCTIONS

WF319015












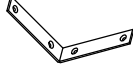





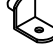



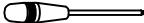
6	 Side rail	1pc	24	 Back trundle panels	1pc
7	 Side rail	1pc	25	 Front trundle panels	1pc
11	 Slats	15pcs			

WF319016 (Hardware in this SKU)

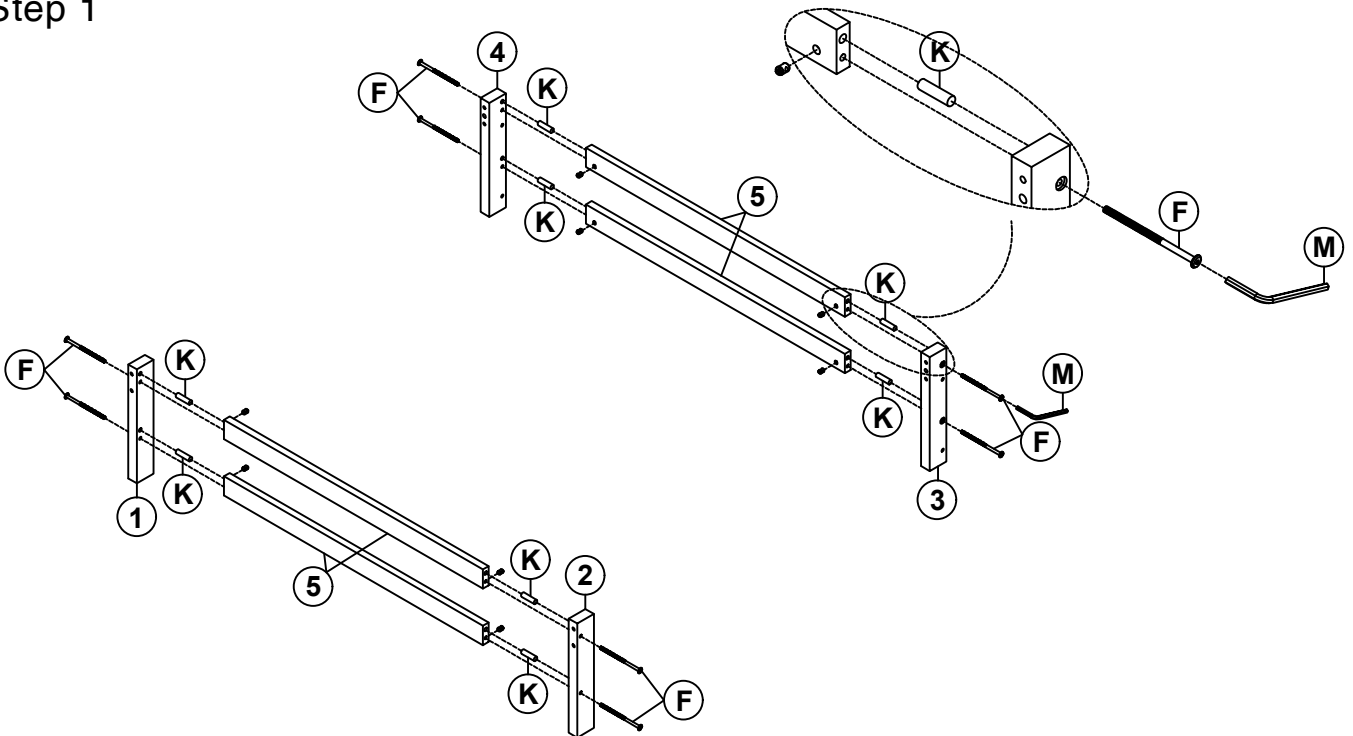
1	 Leg	1pc	14	 Right side shelves	1pc
2	 Leg	1pc	15	 Planks on shelves	2pcs
3	 Leg	1pc	16	 Shelves front panels	1pc
4	 Leg	1pc	17	 Shelves panels bottom	1pc
5	 Headboard panel	4pcs	18	 Shelves panels bottom	1pc
8	 Headboard panel	3pcs	19	 Shelves panels bottom	1pc
9	 Side plank supports bar	2pcs	20	 Shelves panels back	1pc
10	 Side plank supports bar	2pcs	21	 Shelves panels back	1pc
12	 Upper plank support bar	1pc	22	 Shelves panels back	1pc
13	 Left side shelves	1pc	23	 Shelves panels back	1pc





ASSEMBLY INSTRUCTIONS

WF319016 (Hardware in this SKU)

A	Ø4x30		30PCS	I	1/4x35	 	4PCS
B	Ø4x15		32PCS	K	Ø10x40		12PCS
C	Ø3.5x12		38PCS	L	Ø8x30		5PCS
D	Ø4x20		12PCS	M	4x58		1PC
E	1/4x110	 	8PCS	N	95x95x20		2PCS
F	1/4x75	 	8PCS	O	40x20x20		2PCS
G	1/4x65	 	4PCS	P	20x17		4PCS
H	1/4x55	 	20PCS	Q	Ø38x46x38		4PCS
					Phillip head screw Not include		

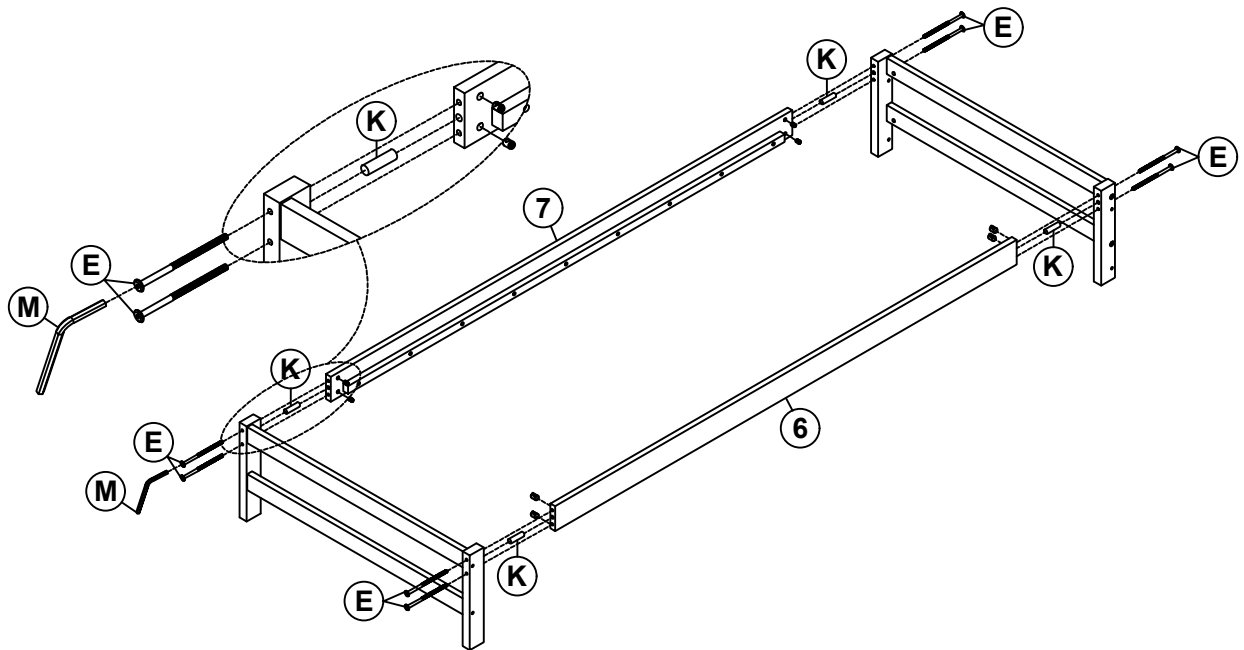
Step 1






M	4x58		1PC	K	Ø10x40		8PCS
F	1/4x75	 	8PCS				

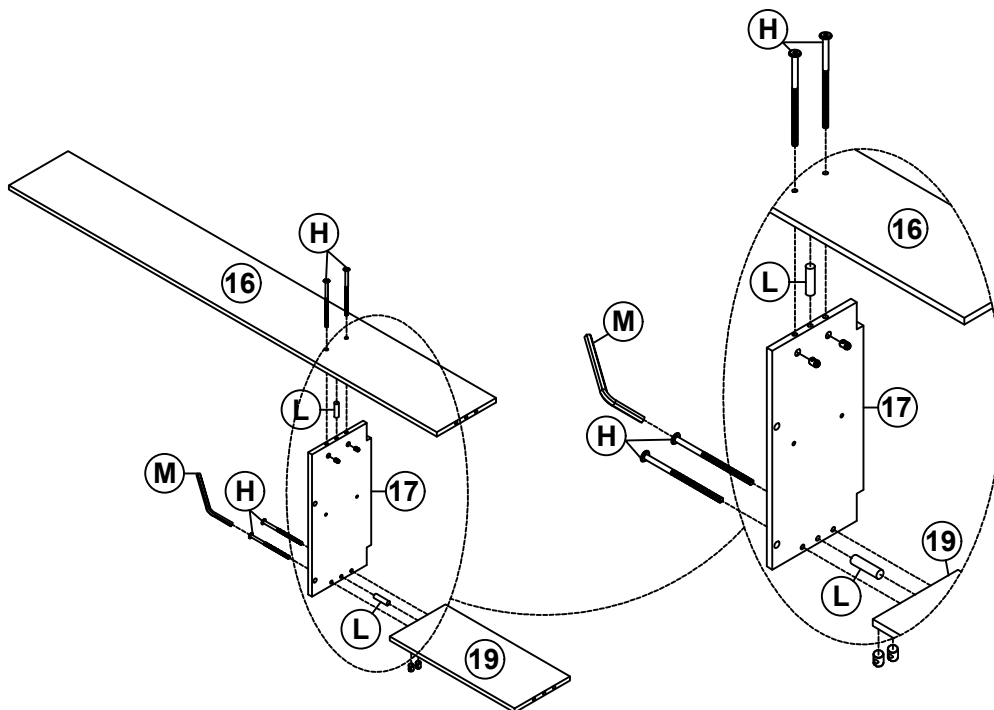
ASSEMBLY INSTRUCTIONS




Step 2



M	4x58		1PC
E	1/4x110		8PCS
K	Ø10x40		4PCS

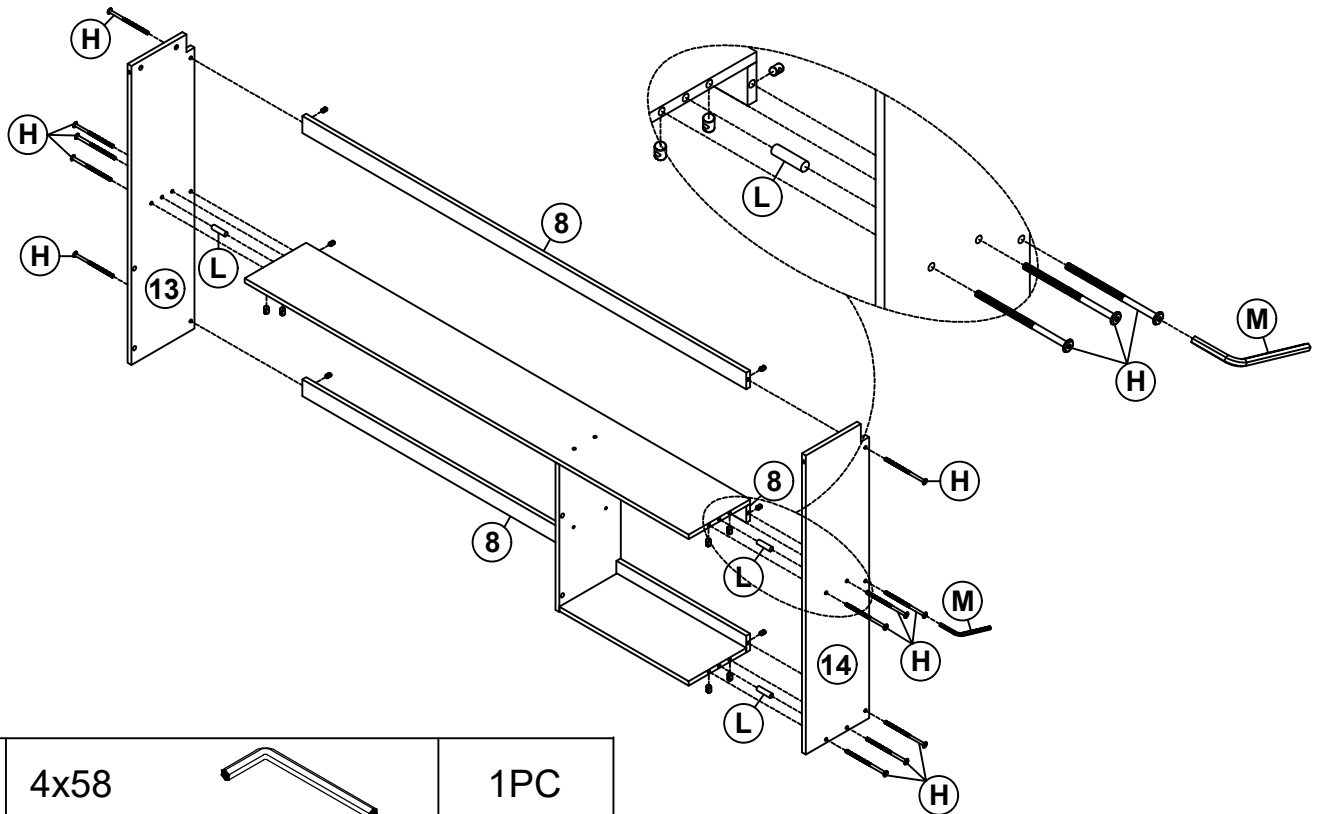
Step 3






M	4x58		1PC
H	1/4x55		4PCS
L	Ø8x30		2PCS

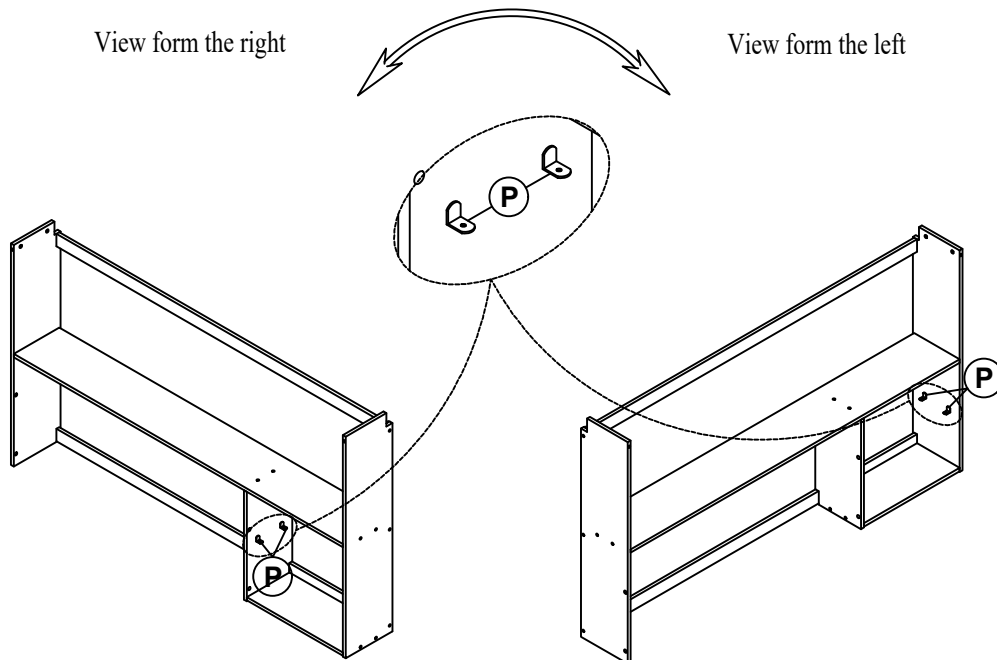
ASSEMBLY INSTRUCTIONS

Step 4



M	4x58		1PC				
H	1/4x55		12PCS	L	Ø8x30		3PCS

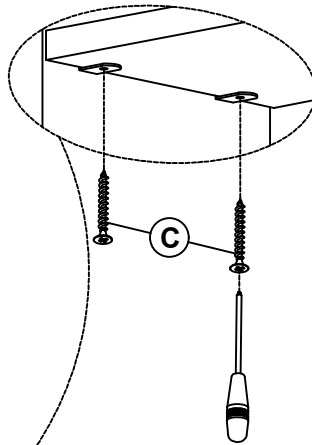
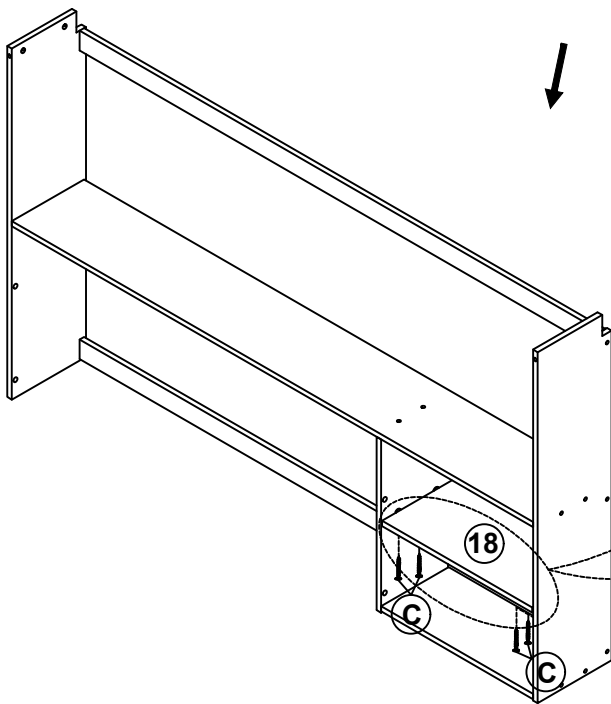
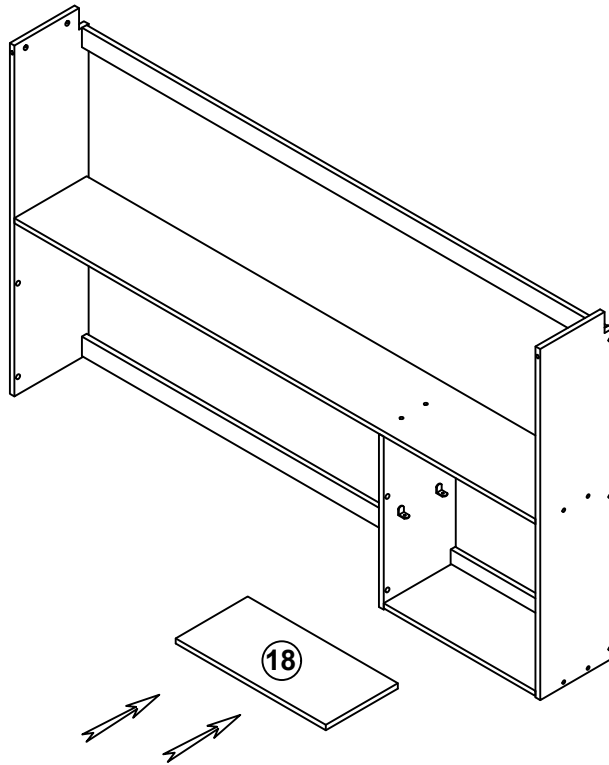
Step 5



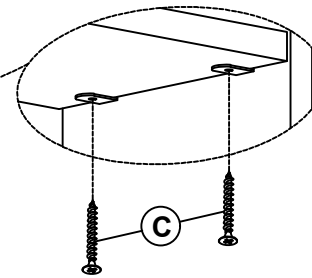
P	20x17		4PCS
----------	-------	---	------

ASSEMBLY INSTRUCTIONS

Step 6



View form the left



View form the right

C

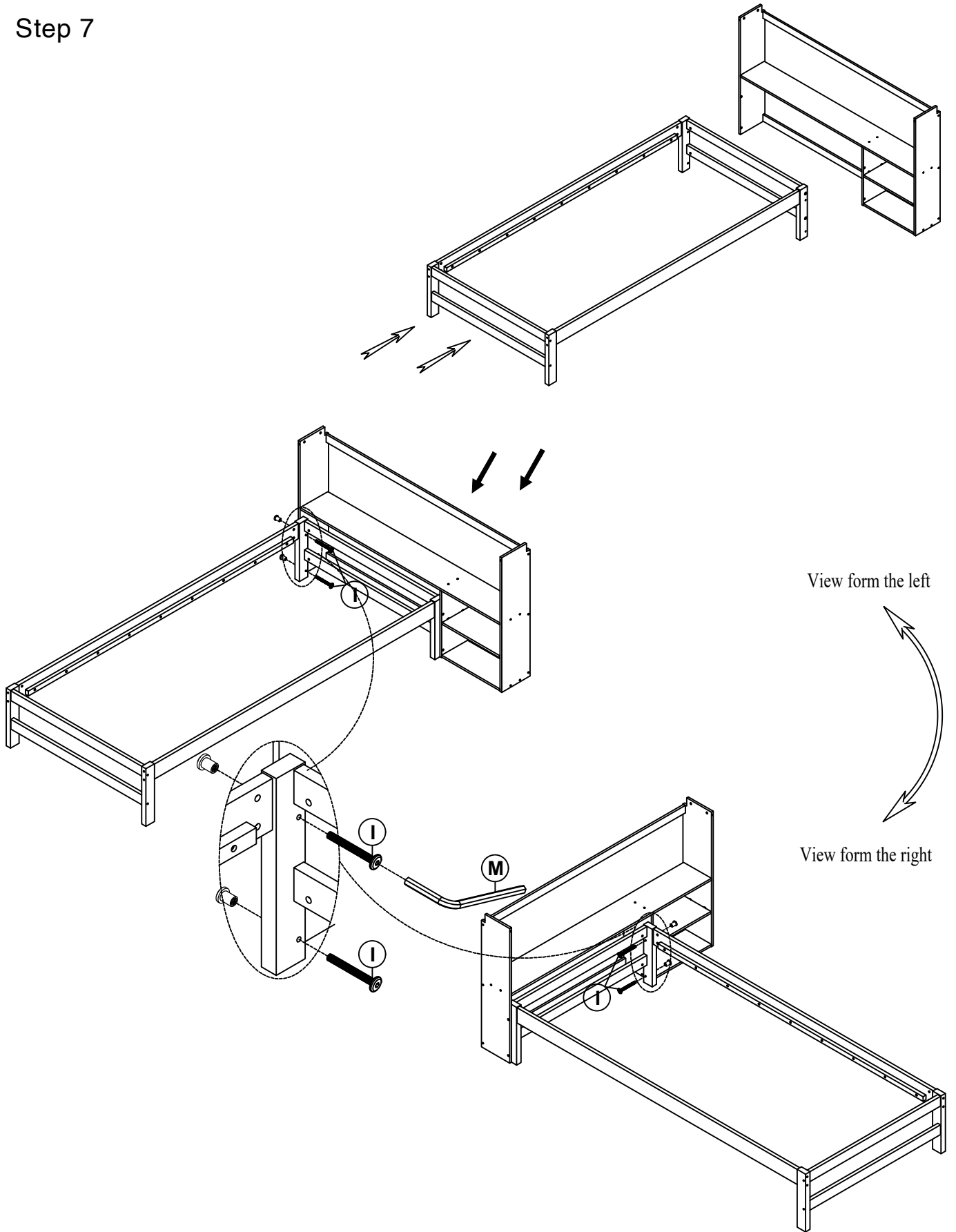
Ø3.5x12


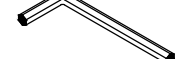


4PCS

ASSEMBLY INSTRUCTIONS

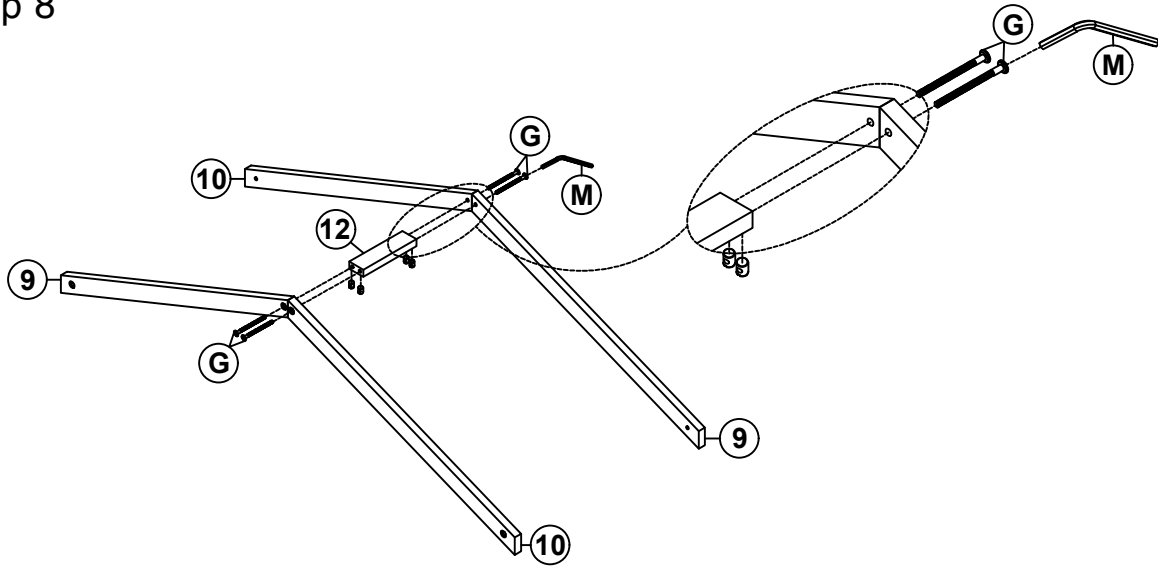
Step 7





I	1/4x35		4PCS	M	4x58		1PC
----------	--------	---	------	----------	------	---	-----

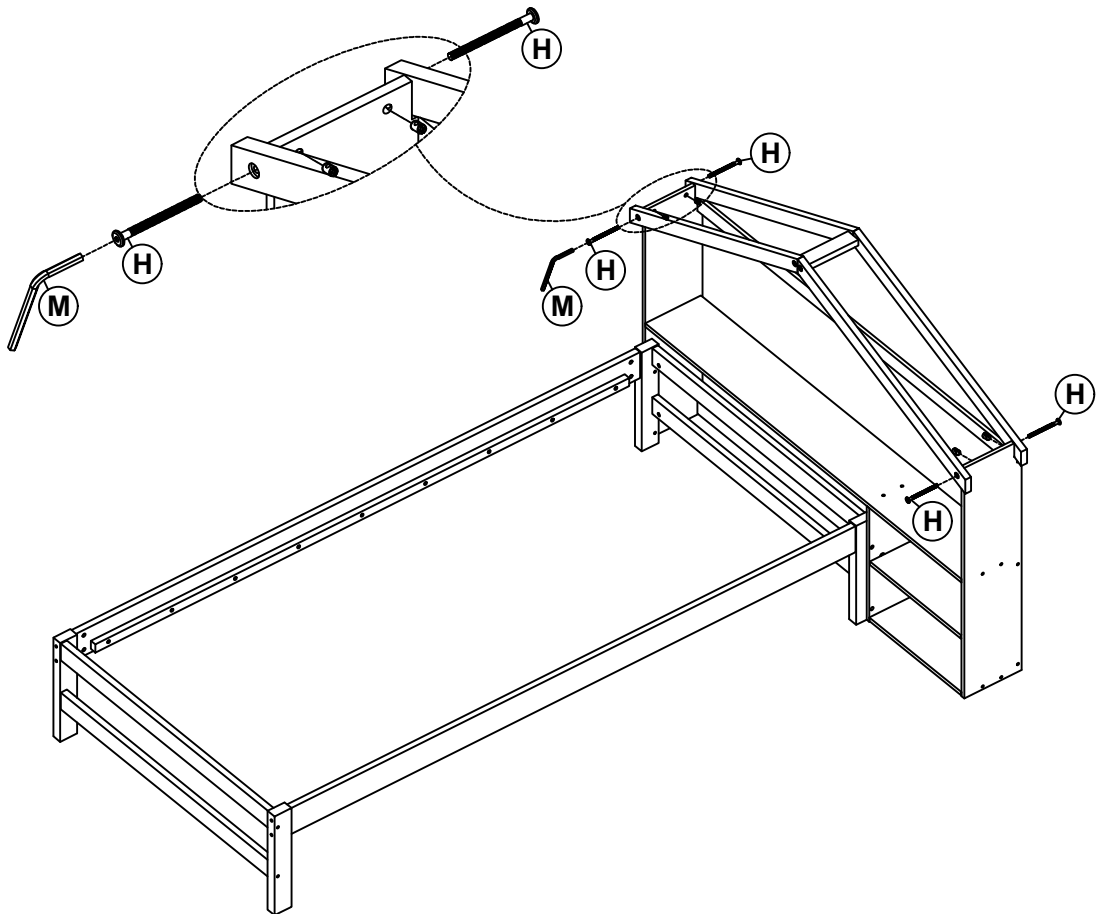
ASSEMBLY INSTRUCTIONS



Step 8



G	1/4x65		4PCS	M	4x58		1PC
----------	--------	---	------	----------	------	---	-----

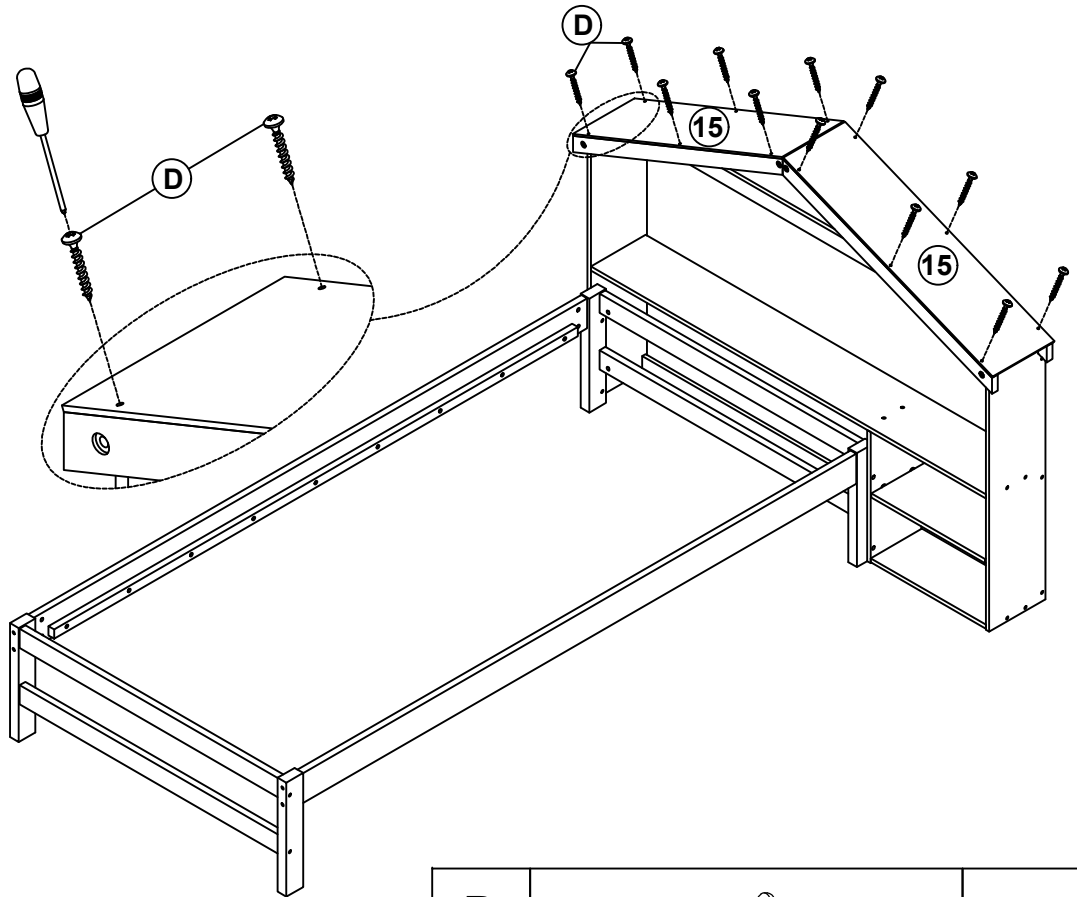
Step 9



H	1/4x55		4PCS	M	4x58		1PC
----------	--------	---	------	----------	------	---	-----

ASSEMBLY INSTRUCTIONS

Step 10



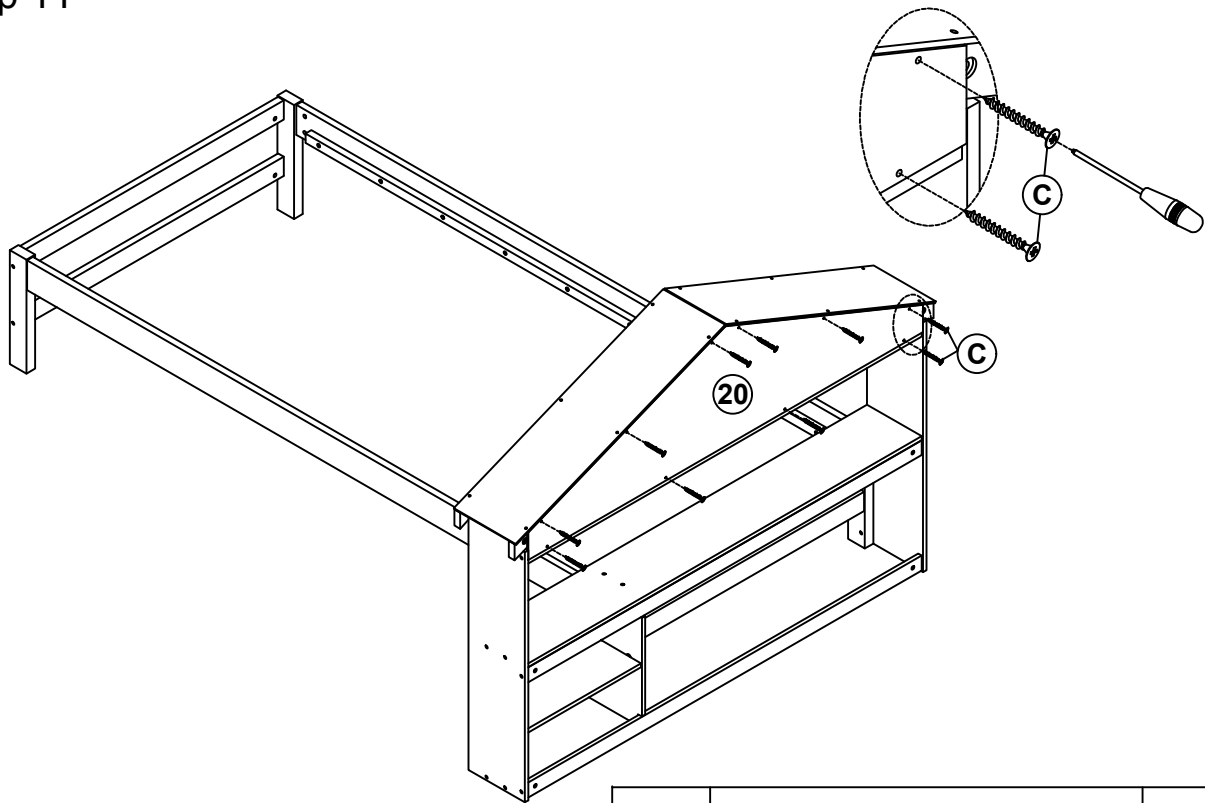
D

Ø4x20



12PCS

Step 11



C

Ø3.5x12

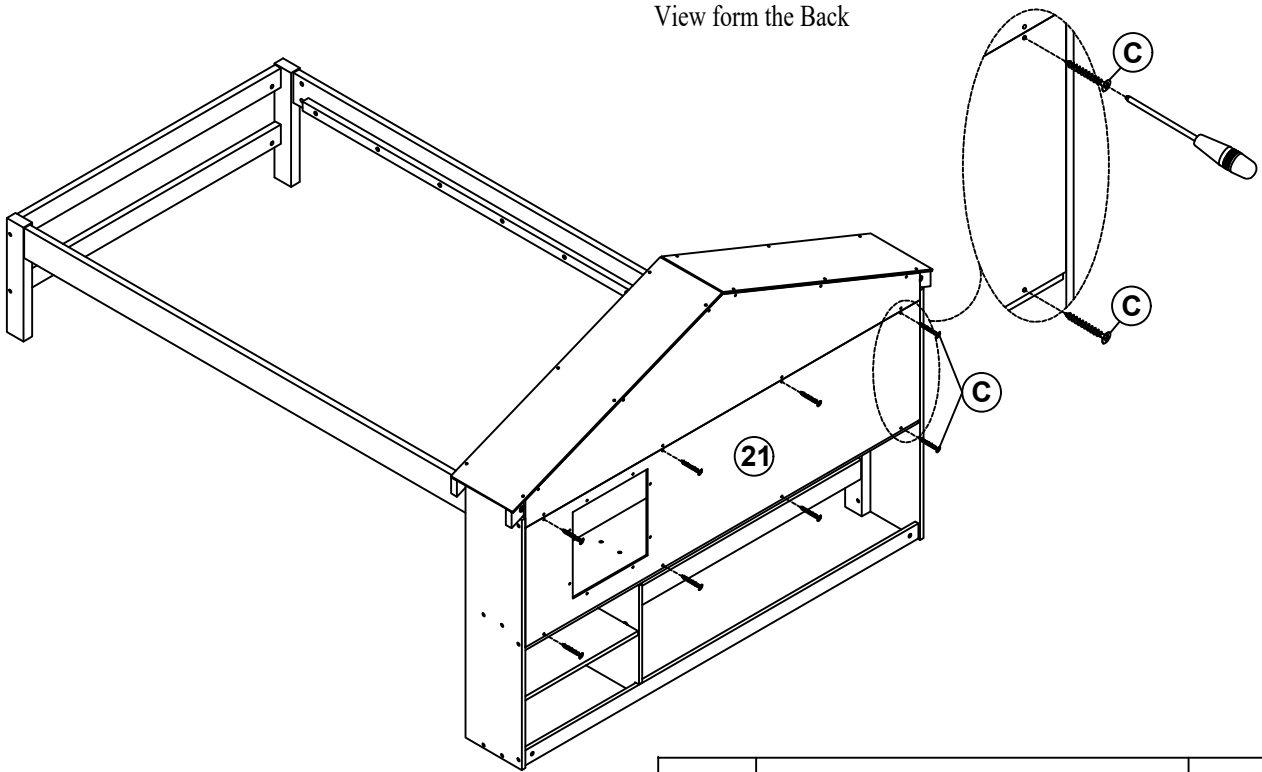


10PCS

ASSEMBLY INSTRUCTIONS

Step 12

View form the Back



C

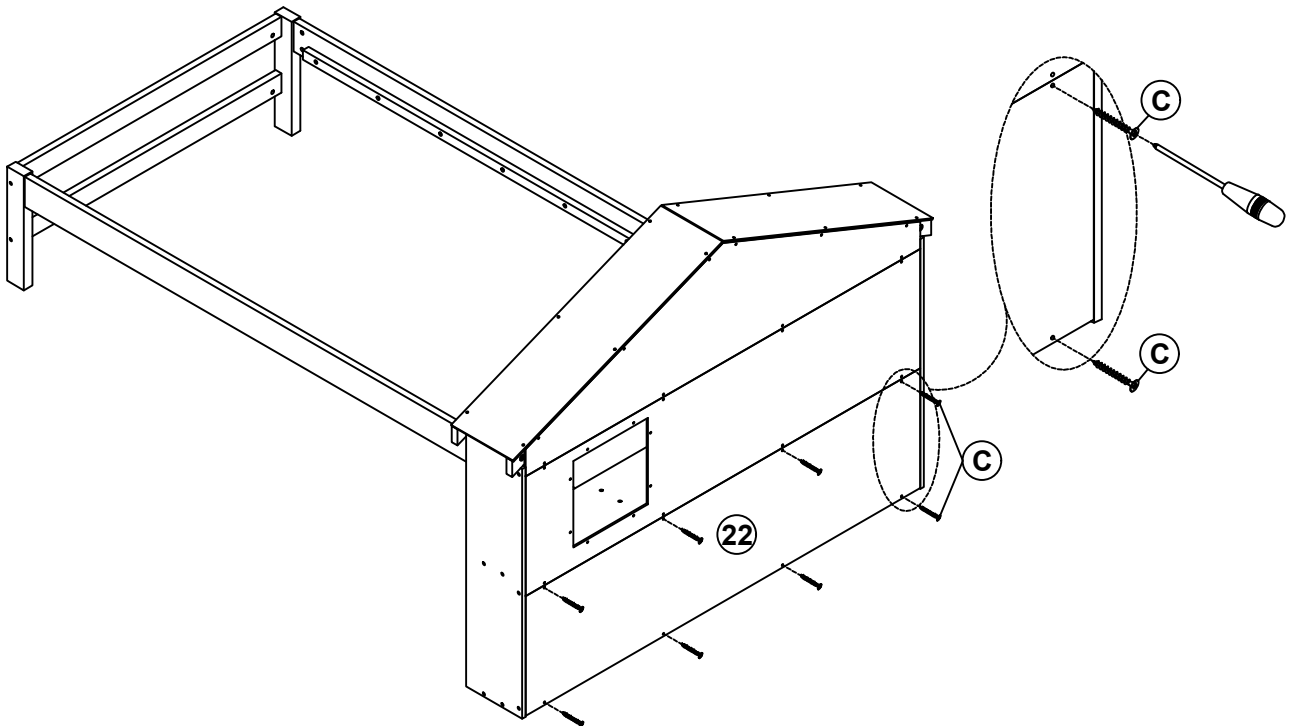
Ø3.5x12



8PCS

Step 13

View form the Back



C

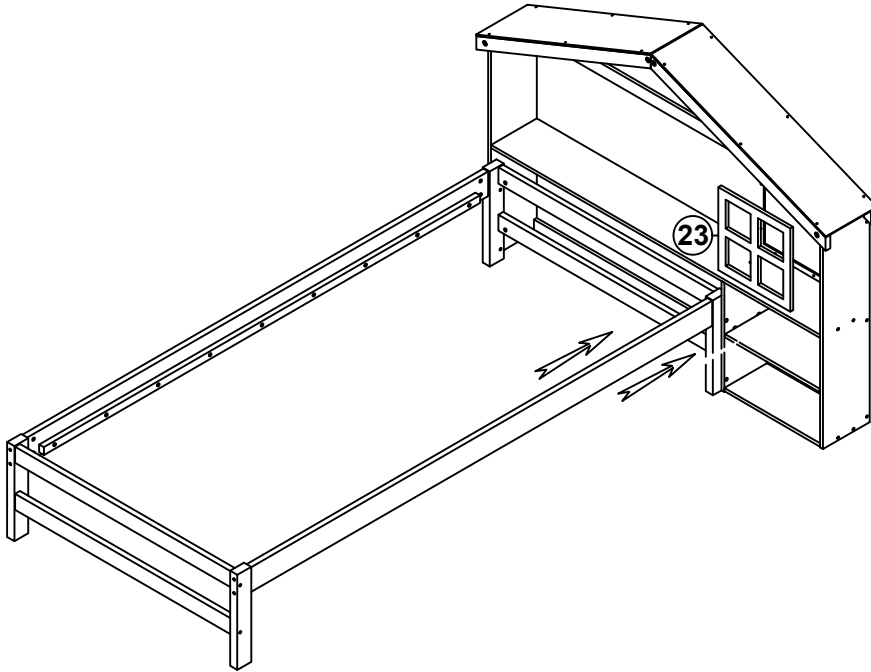
Ø3.5x12



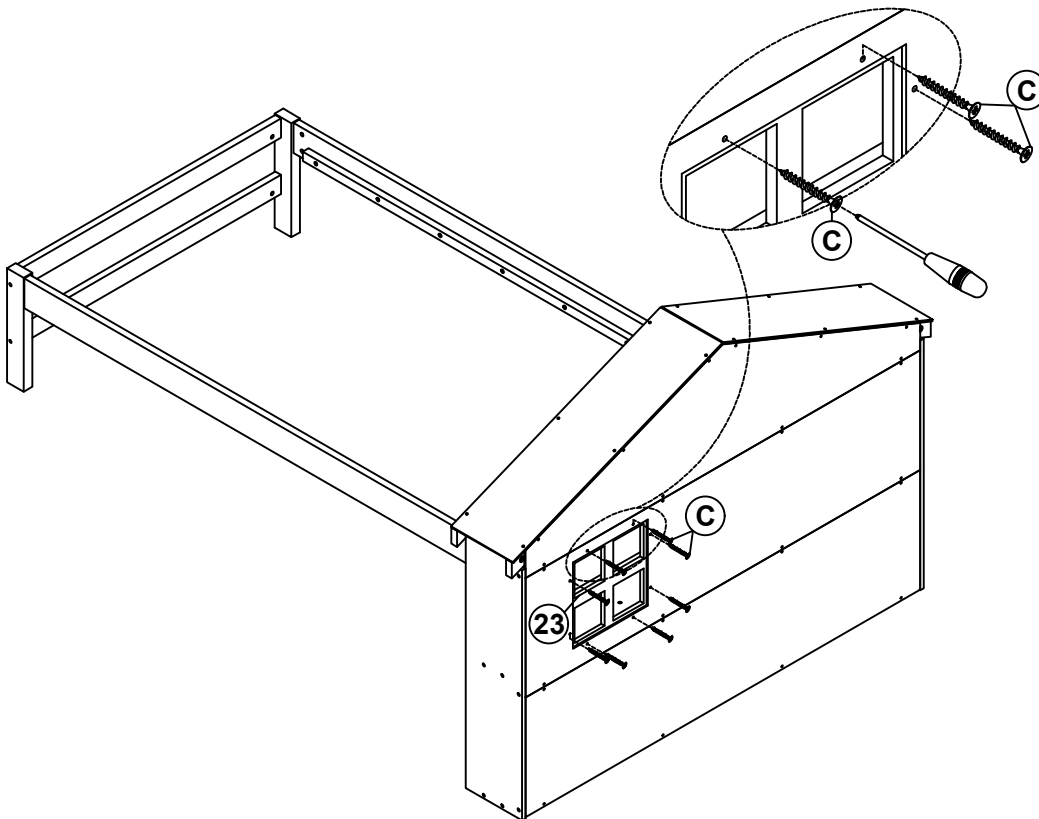
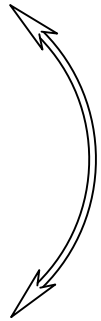
8PCS

ASSEMBLY INSTRUCTIONS

Step 14



View from the front



View from the back

C

Ø3.5x12

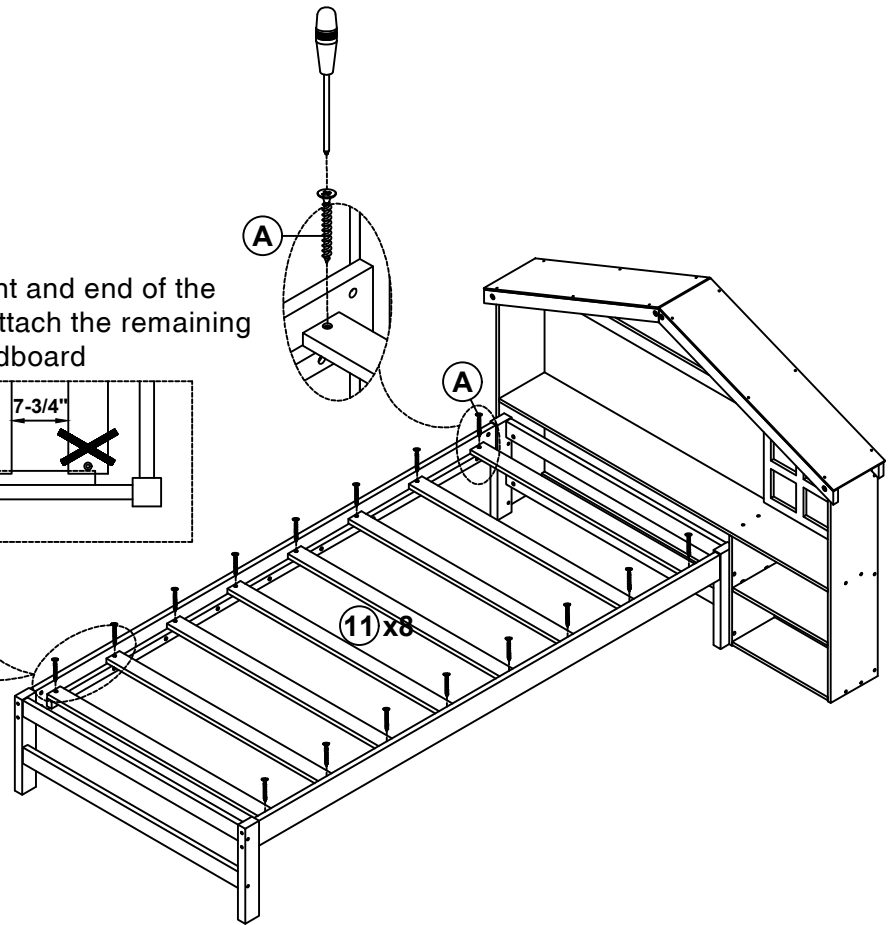
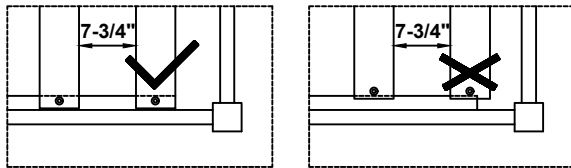


8PCS

ASSEMBLY INSTRUCTIONS

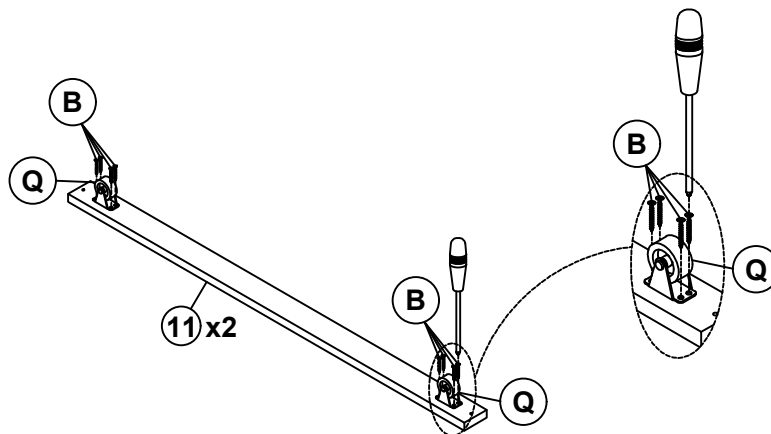
Step 15



First attach 2pcs part 11 to the front and end of the frame between headboard. Then attach the remaining part 11 equidistantly between headboard



A	Ø4x30		16PCS
----------	-------	---	-------

Step 16

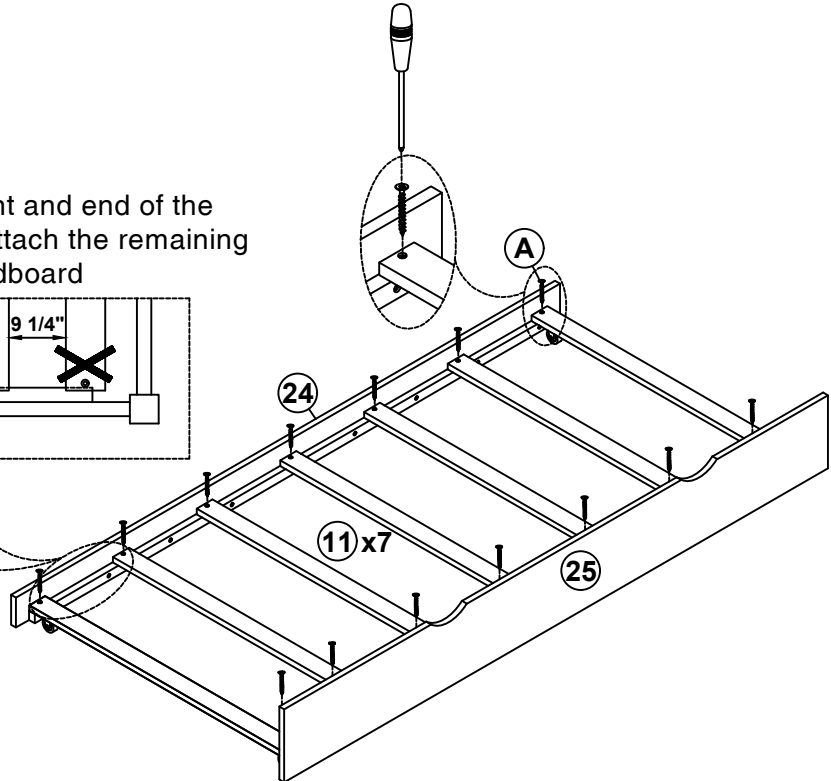
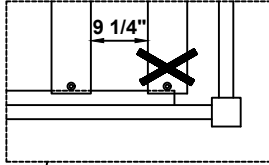
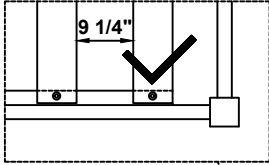


Q	Ø38x46x38		4PCS	B	Ø4x15		16PCS
----------	-----------	---	------	----------	-------	---	-------

ASSEMBLY INSTRUCTIONS

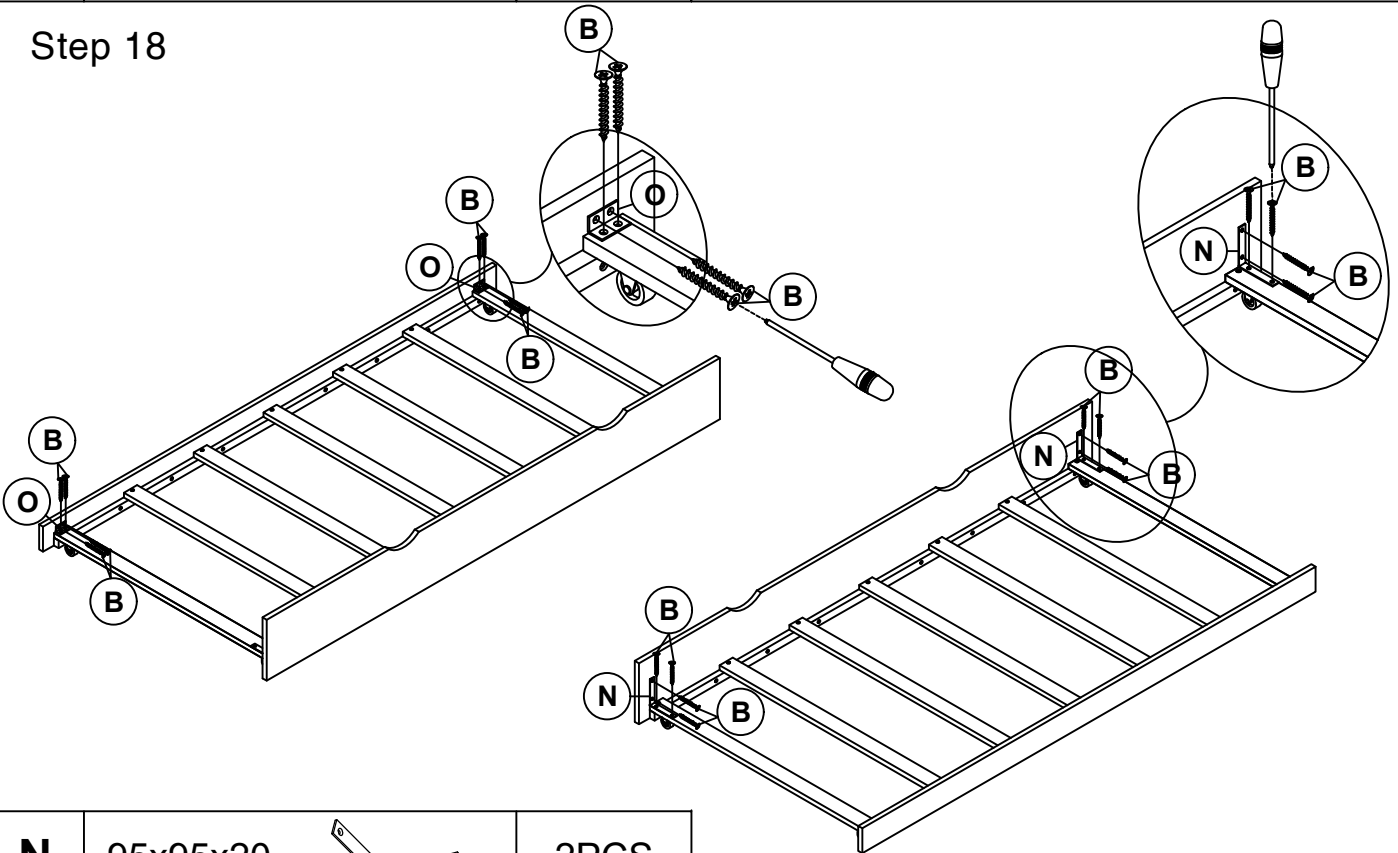
Step 17

First attach 2pcs part 11 to the front and end of the frame between headboard. Then attach the remaining part 11 equidistantly between headboard



A	Ø4x30		14PCS
----------	-------	---	-------

Step 18



N	95x95x20		2PCS
----------	----------	---	------

O	40x20x20		2PCS
----------	----------	---	------

B	Ø4x15		16PCS
----------	-------	---	-------

ASSEMBLY INSTRUCTIONS

Step 19

