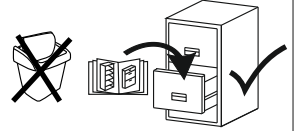


BC 1035 Sideboard 3

**MEBLE
OKMED
DEMKO**

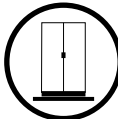
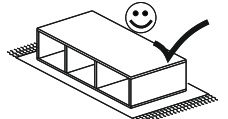
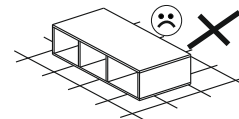
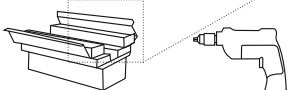
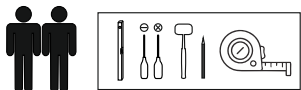
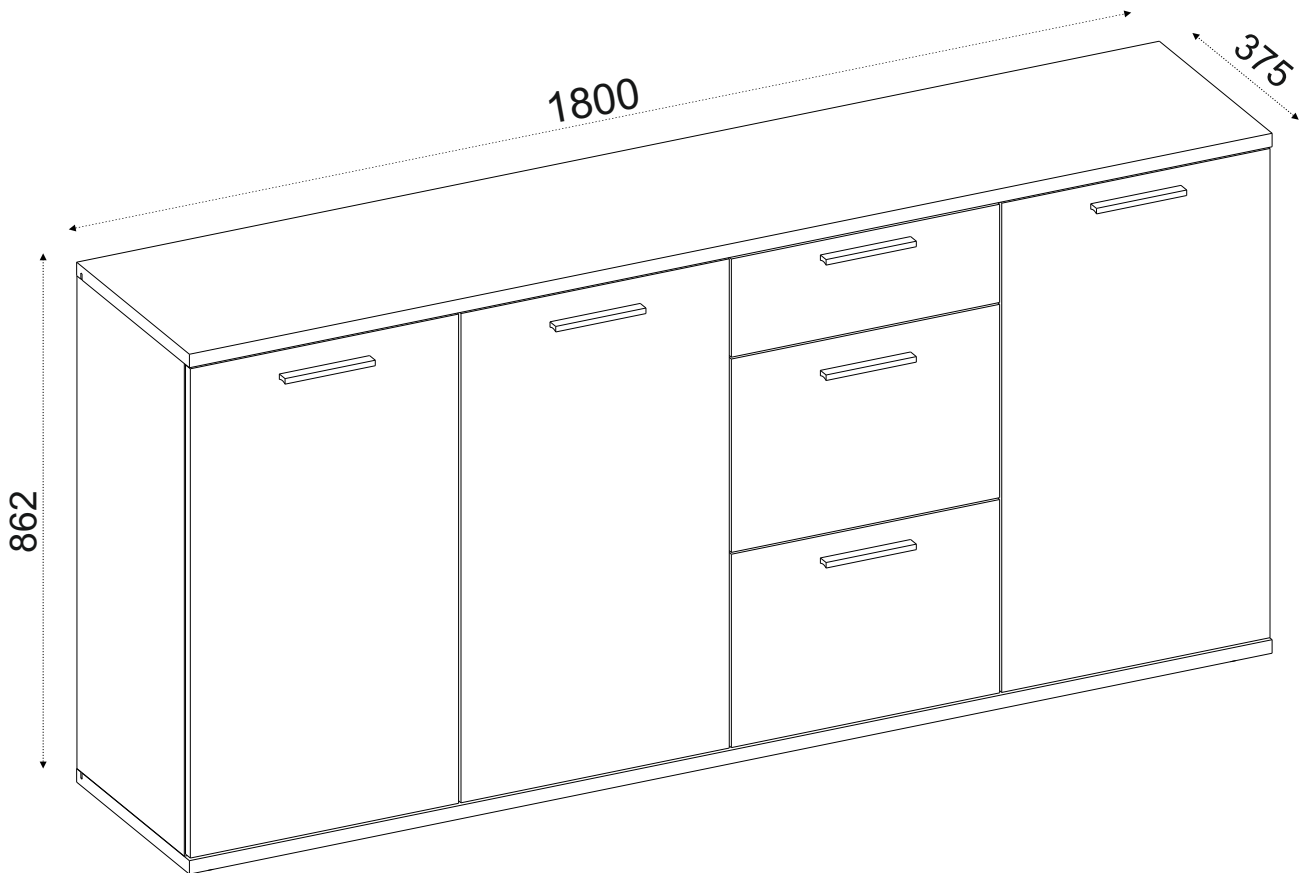
„MEBLE-OKMED” DEMKO - SPÓŁKA JAWNA
ul. Kolejowa 13, 14-500 Braniewo, POLSKA
www.mebleokmed.pl (+48) 55 243 27 26
firma@mebleokmed.pl

SERIA: .../...

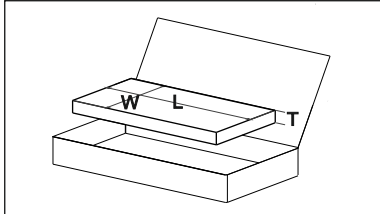


BC 1035 Sideboard 3

SERIA: „/„
MEBLE OKMED Demko SP J.
14-500 Braniewo, Ul. Kolejowa 13



BC 1035 Sideboard 3



1/3

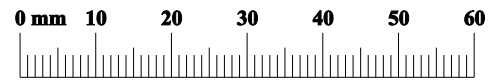
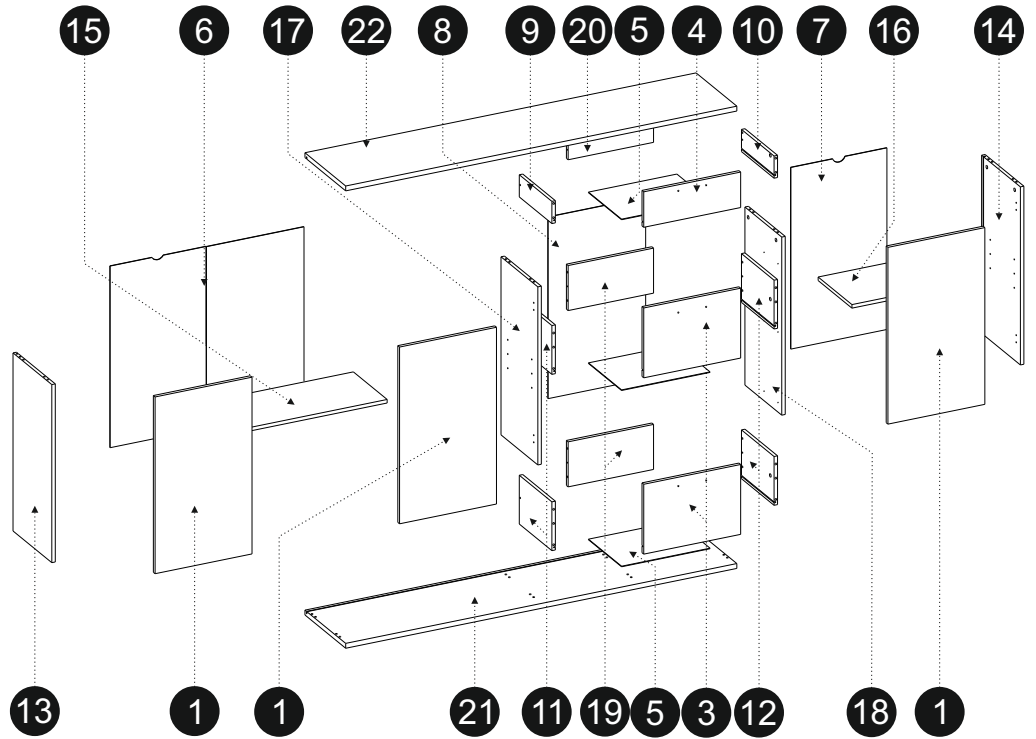
	L [mm]	W [mm]	T [mm]	
5	407	305	3	x3
1	797	446	16	x3
4	160	446	16	x1
3	315	446	16	x2
6	819	891	3	x1
7	819	442	3	x1
8	819	449	3	x1

2/3

	L [mm]	W [mm]	T [mm]	
9	300	100	16	x1
10	300	100	16	x1
11	300	220	16	x2
12	300	220	16	x2
22	1800	375	22	x1
17	803	339	16	x1
18	803	339	16	x1
20	84	393	16	x1
19	204	393	16	x2

3/3

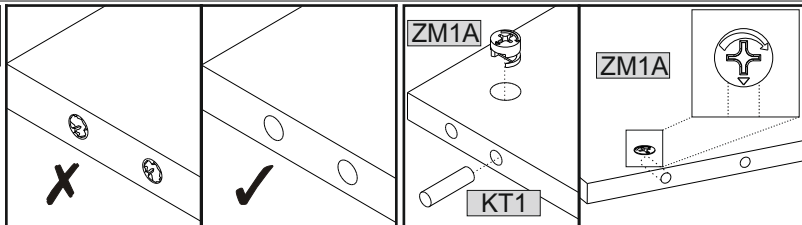
	L [mm]	W [mm]	T [mm]	
13	803	357	16	x1
14	803	357	16	x1
21	1800	375	22	x1
15	876	326	16	x1
16	426	326	16	x1





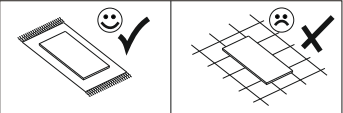
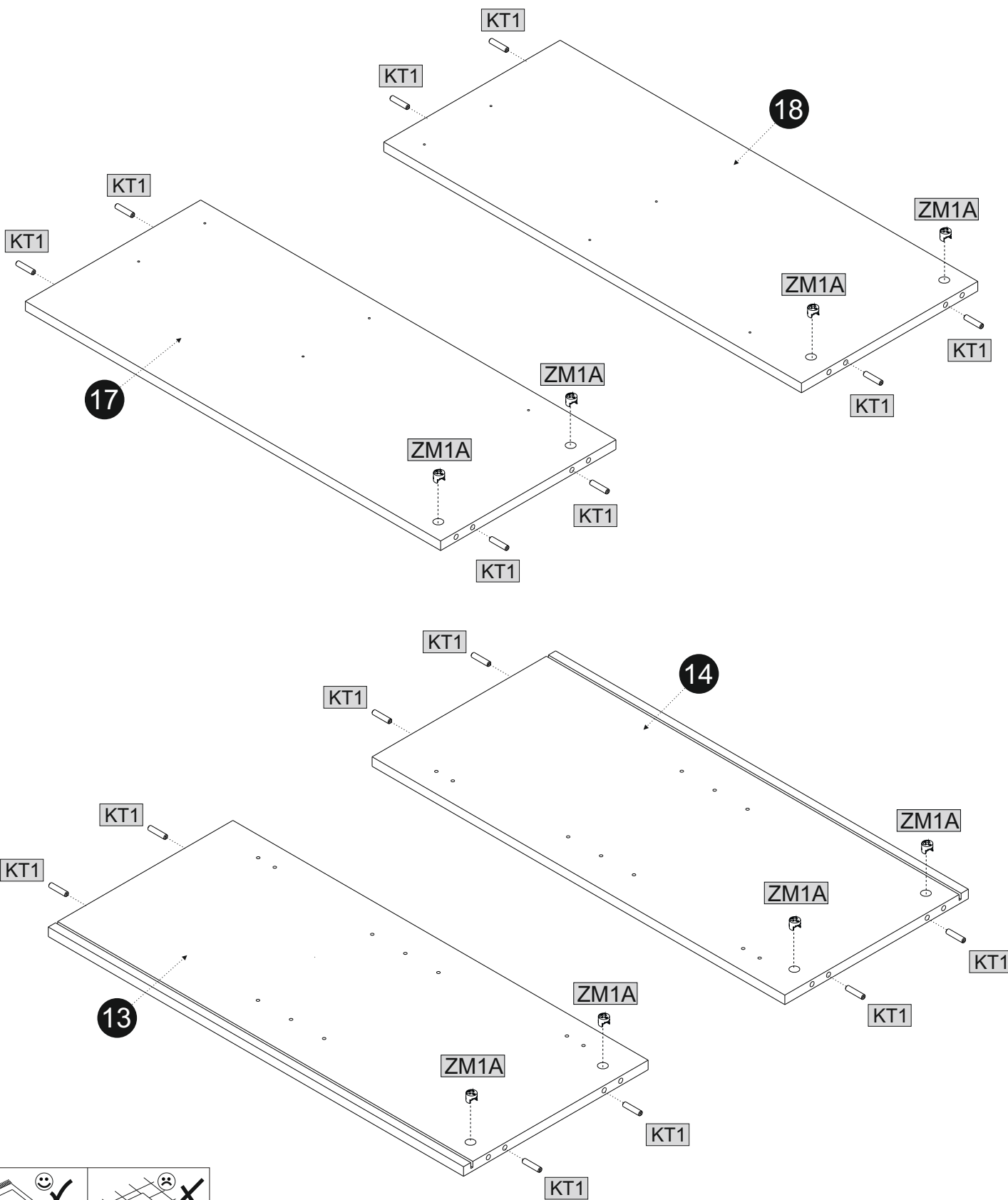
	PP1	8
	PP2	2

	KK1	1		Z1P	4		K1	8		KT1	36		W6	6		SS3	6		W4	12		W11	28
	ZM1A	14		W1	27		PQFL	3		PQFR	3		U56	6		PL1	12		S1	15		WKR1	2
	WU	12		ZM1	10		KM1	6		ZP1	2		ZM1B	14		KR1	2		KS1	2			

01



	
KT1	12
	
ZM1A	8

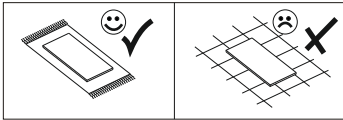
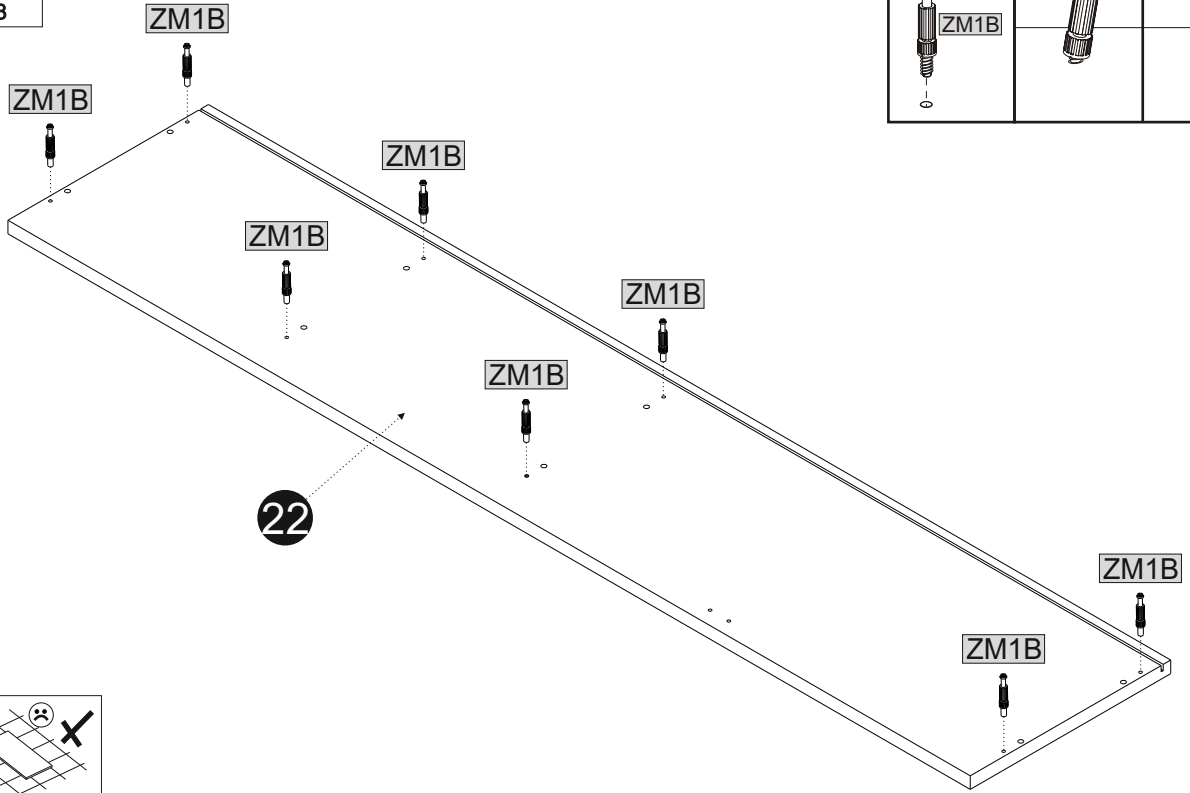
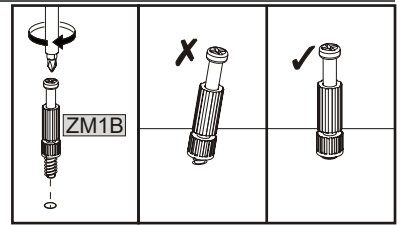


02

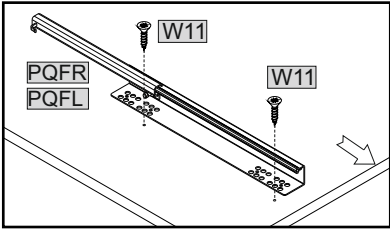


ZM1B

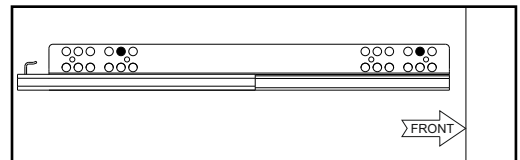
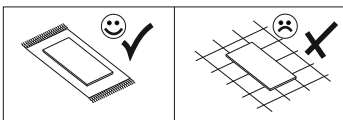
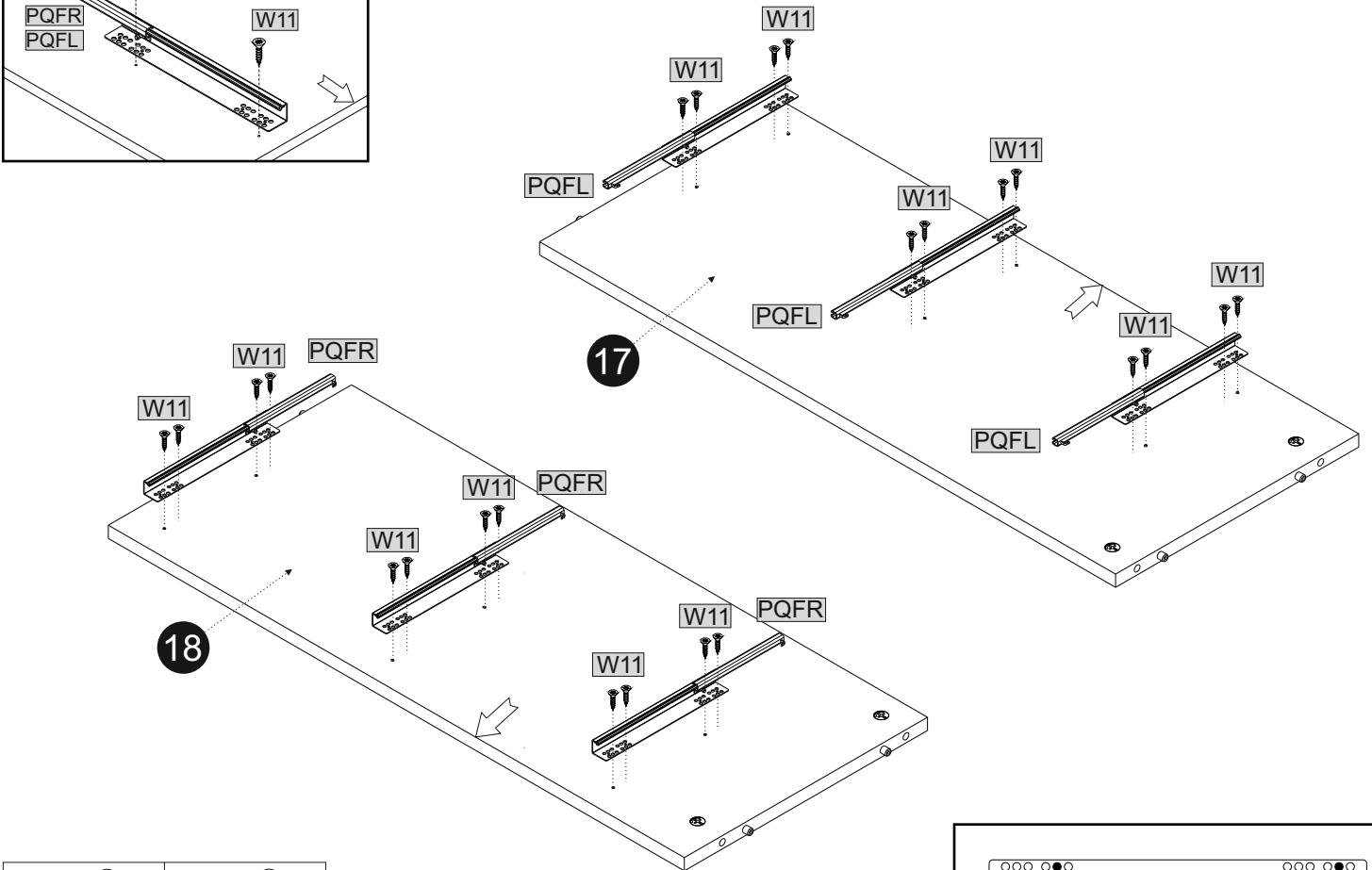
8



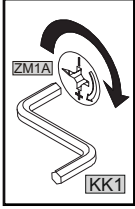
03



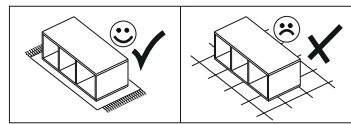
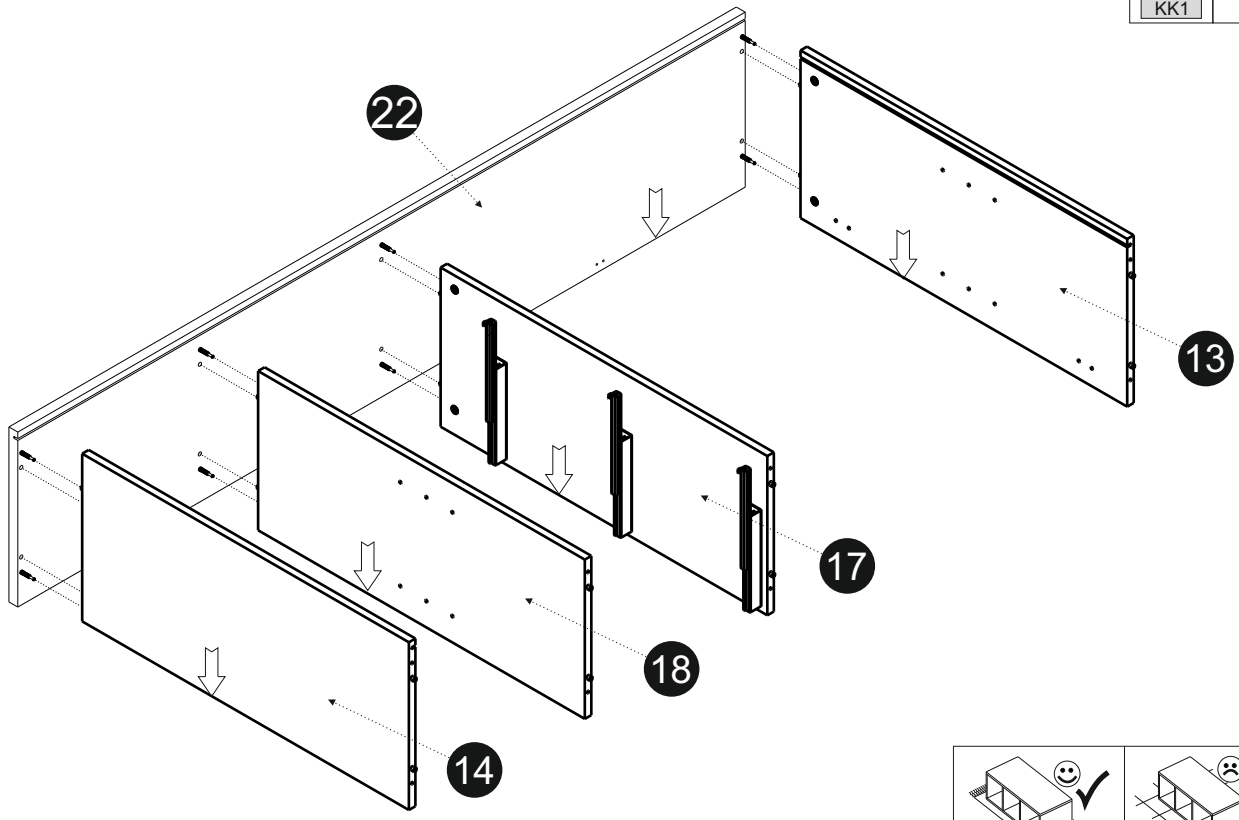
	L-300		L-300		3,5x16
PQFR	3	PQFL	3	W11	24



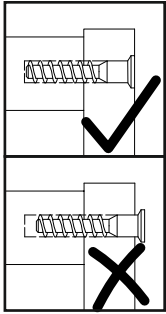
04



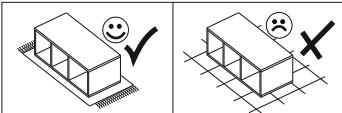
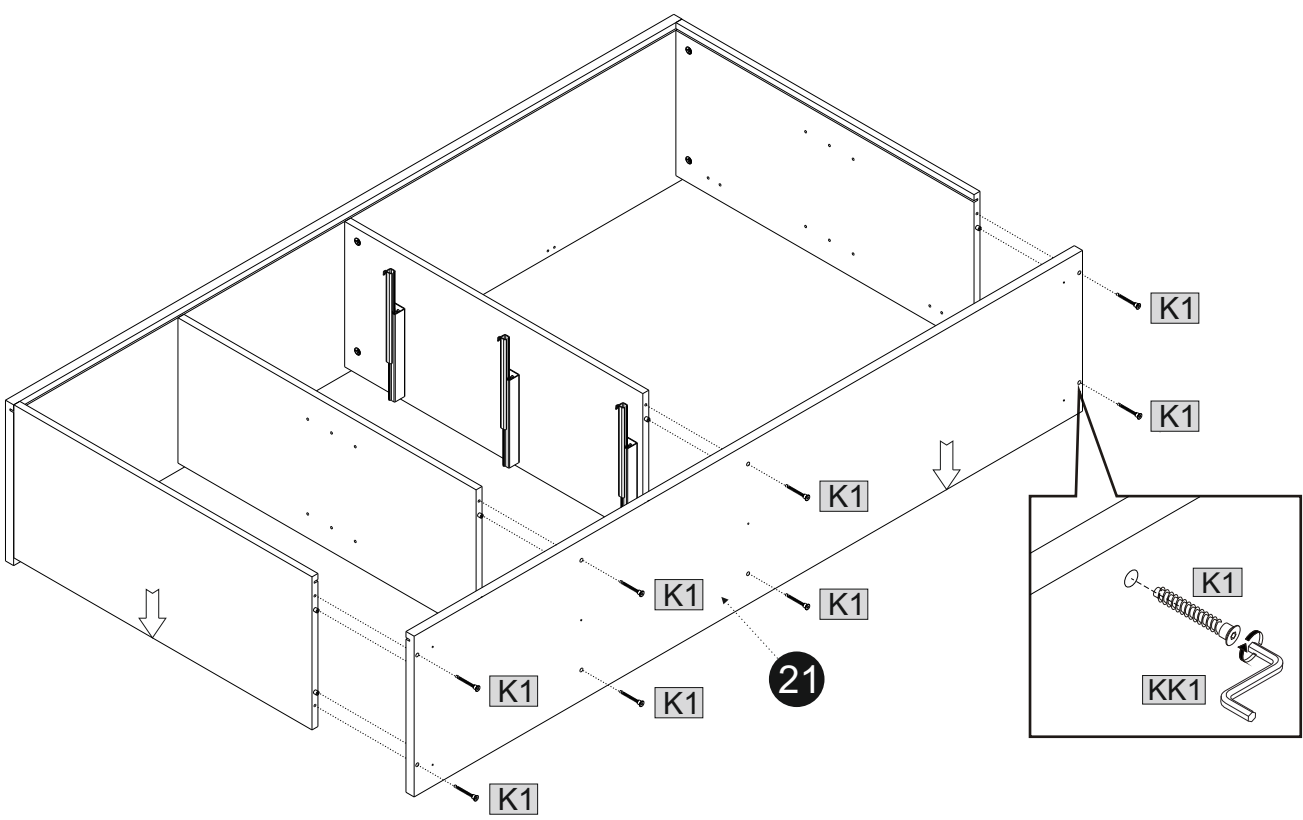
KK1	1

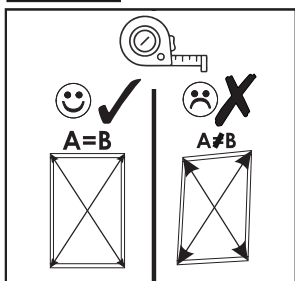
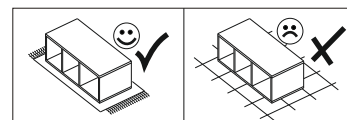
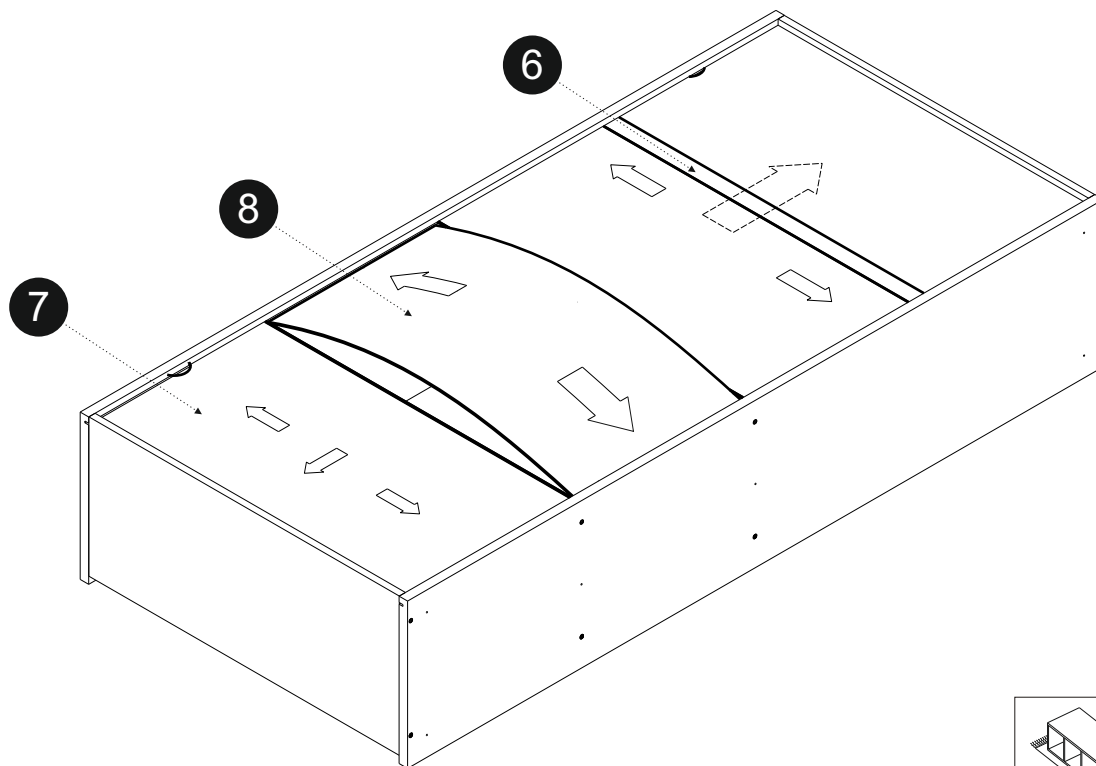


05

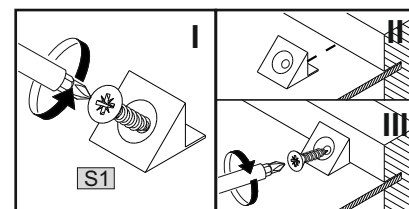
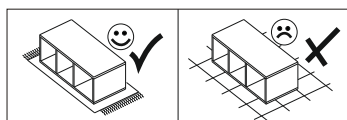
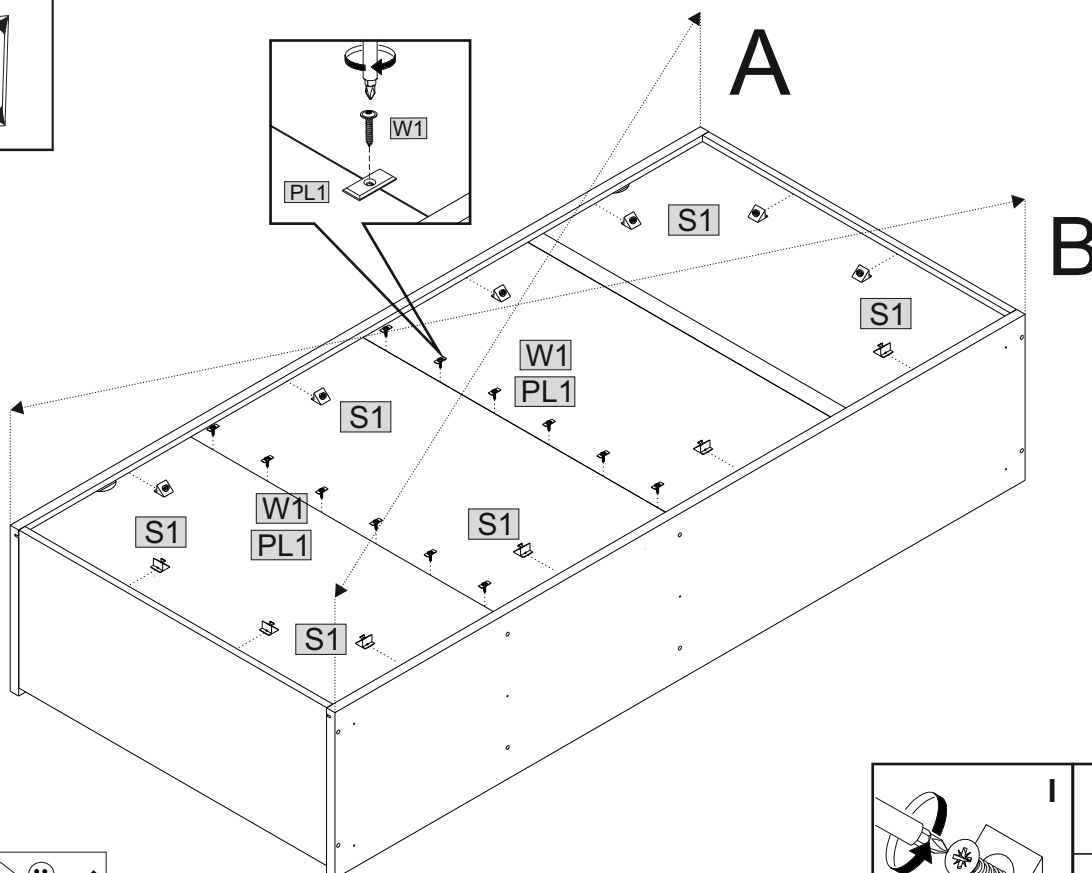


	7x50	
K1	8	KK1 1

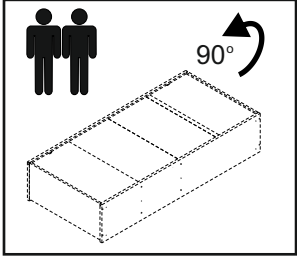




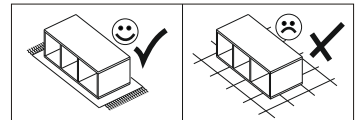
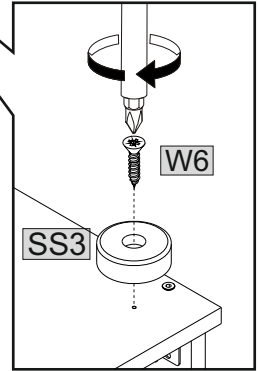
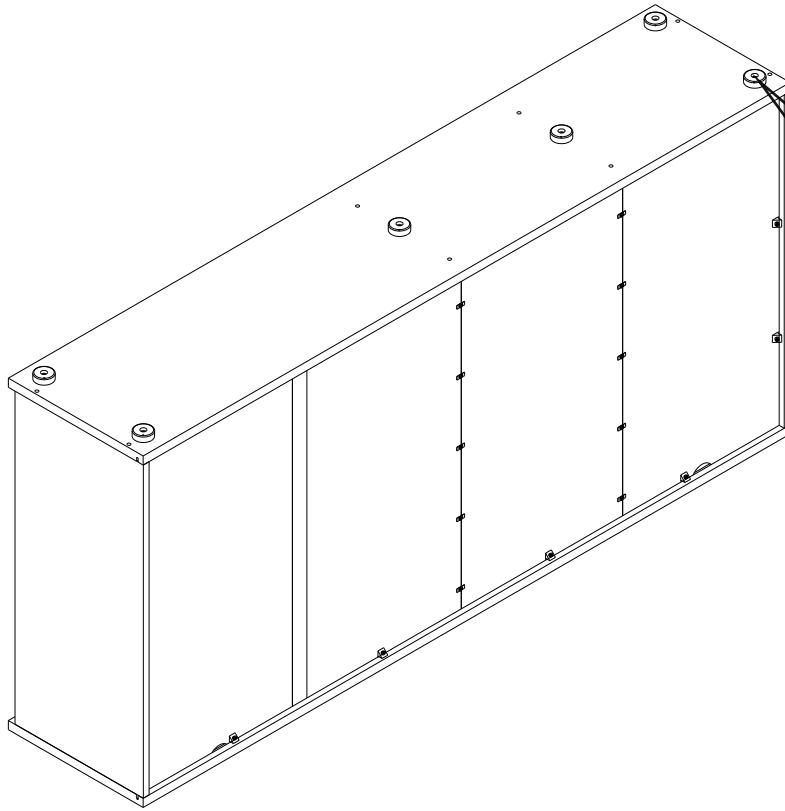
			3x16
PL1	12	W1	12
		S1	12



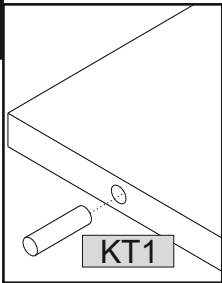
08



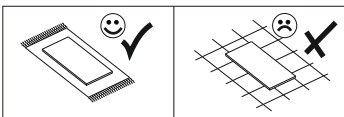
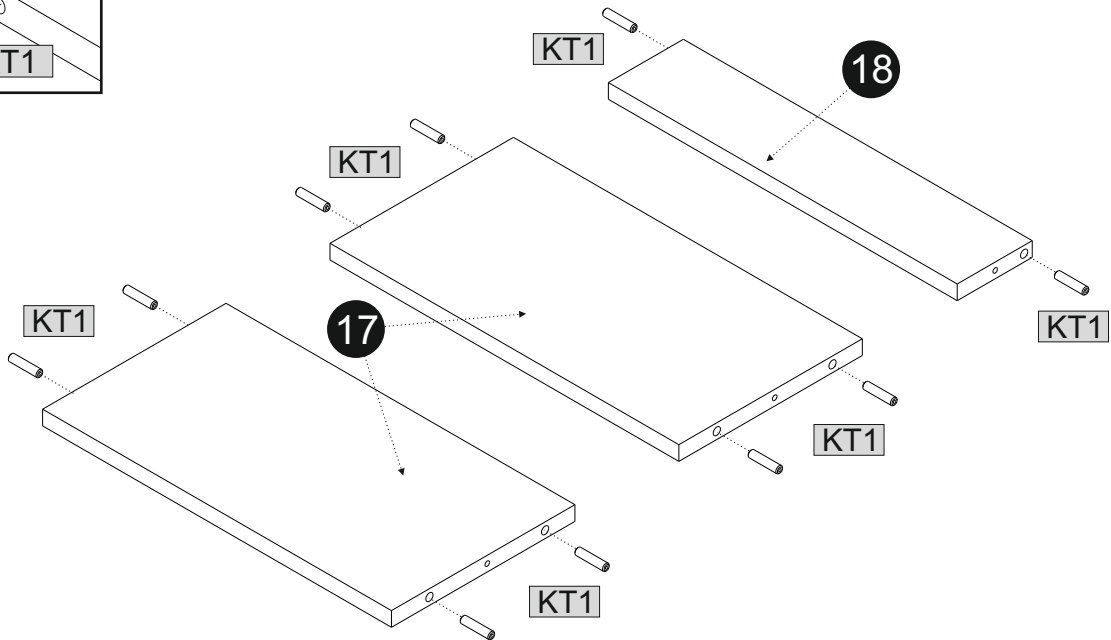
	6		6
SS3	6	W6	6



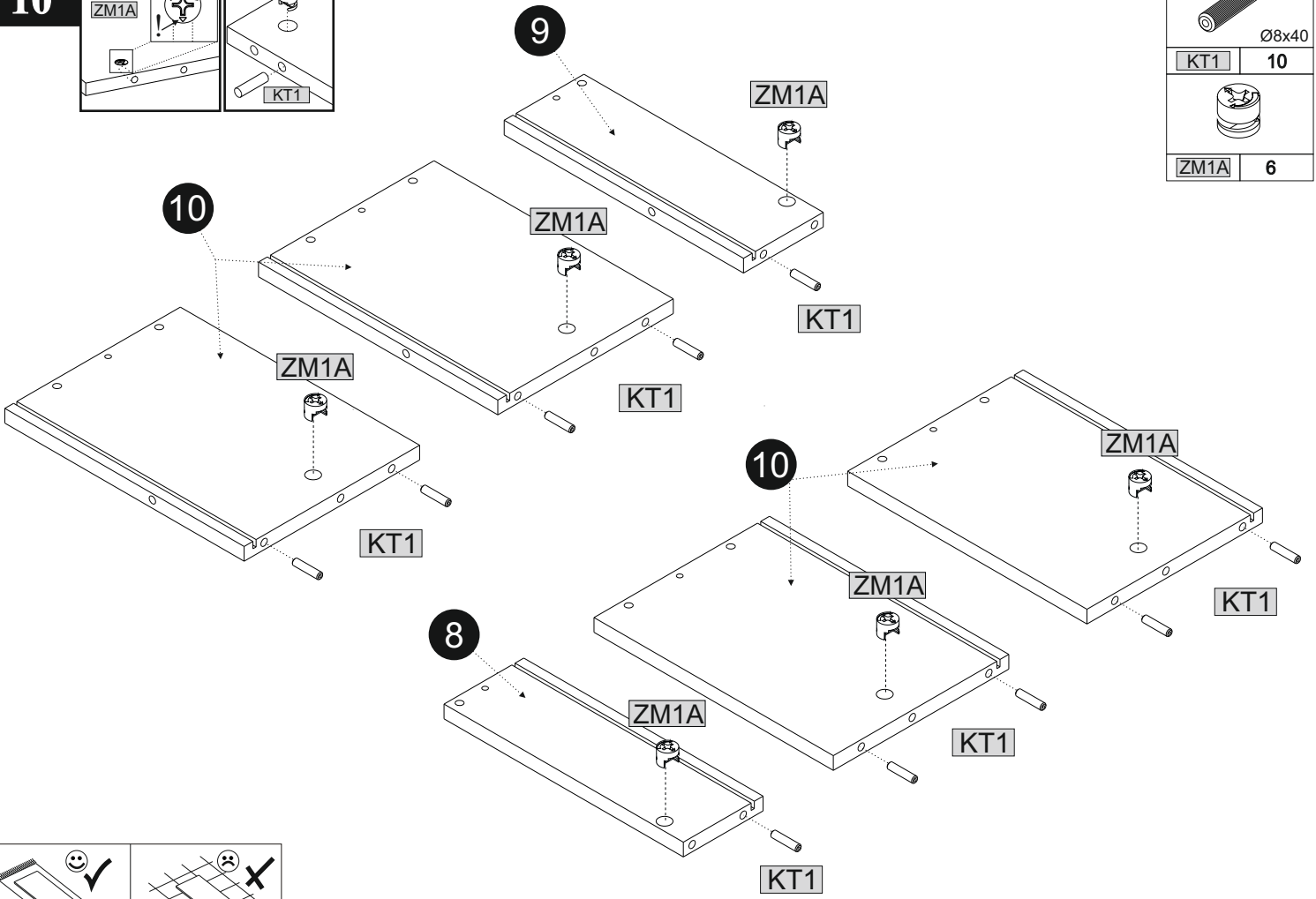
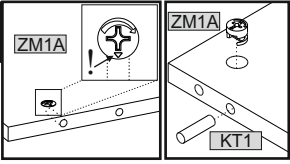
09

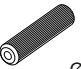



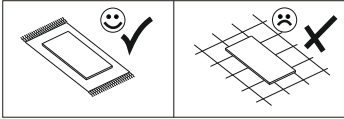
	10
KT1	10



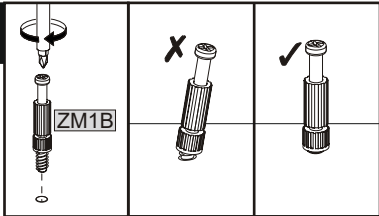
10

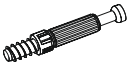


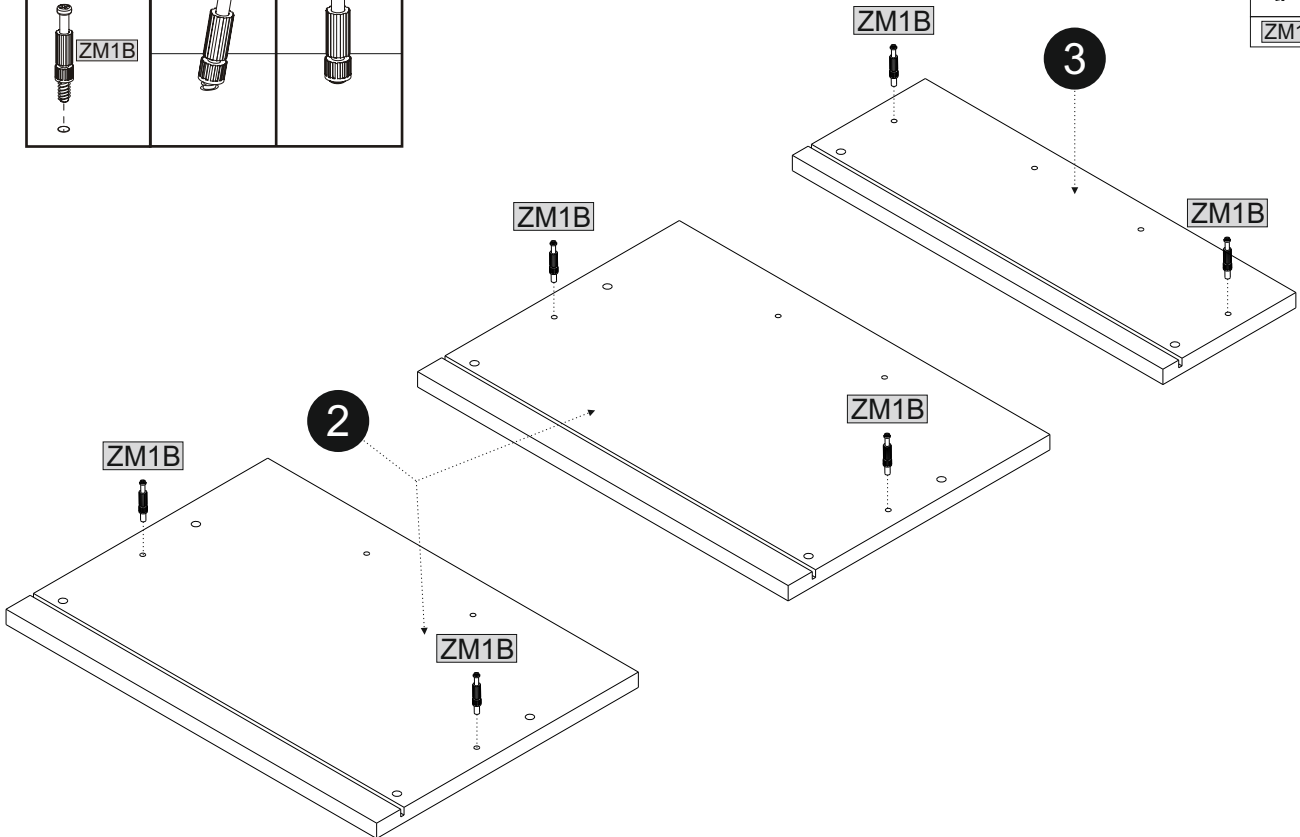
	
KT1	10
	
ZM1A	6



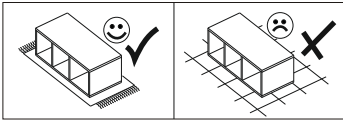
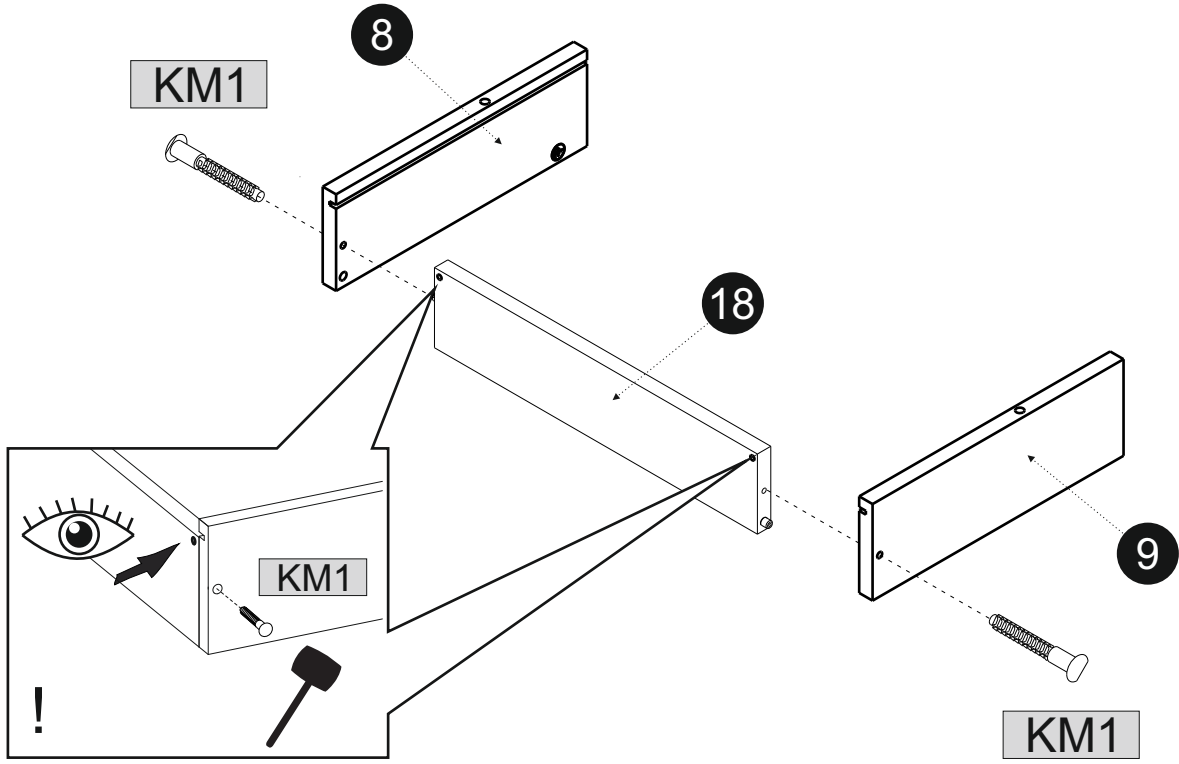
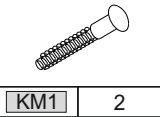
11



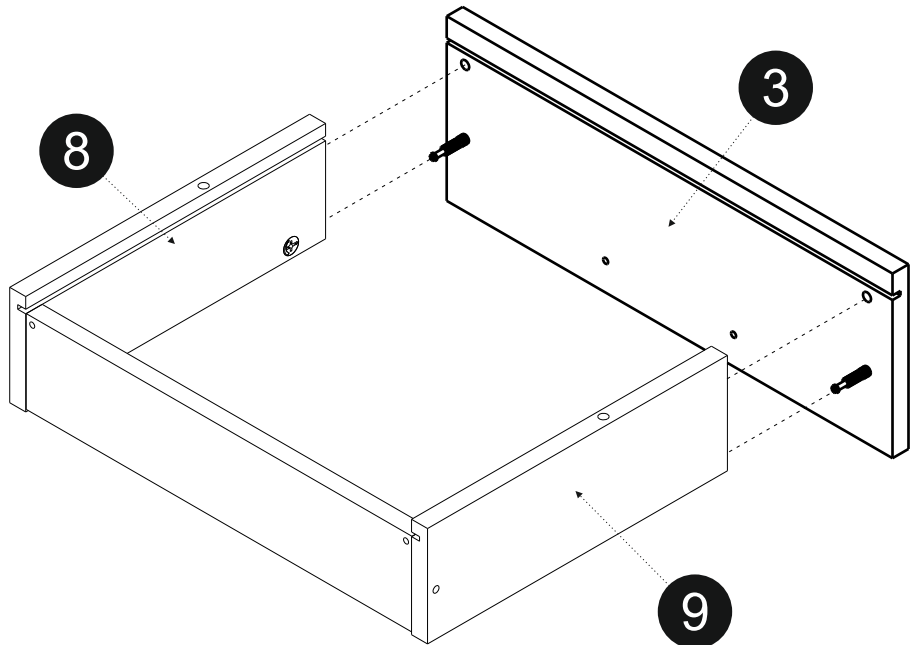
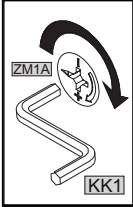
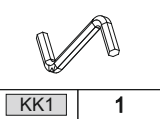
	
ZM1B	6





12

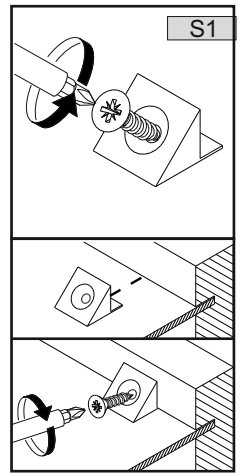
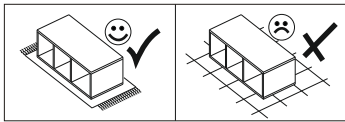
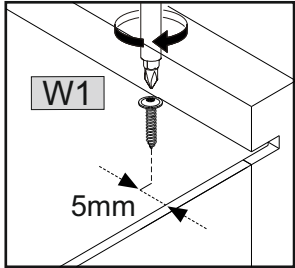
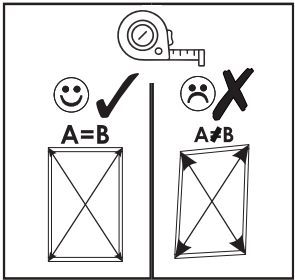
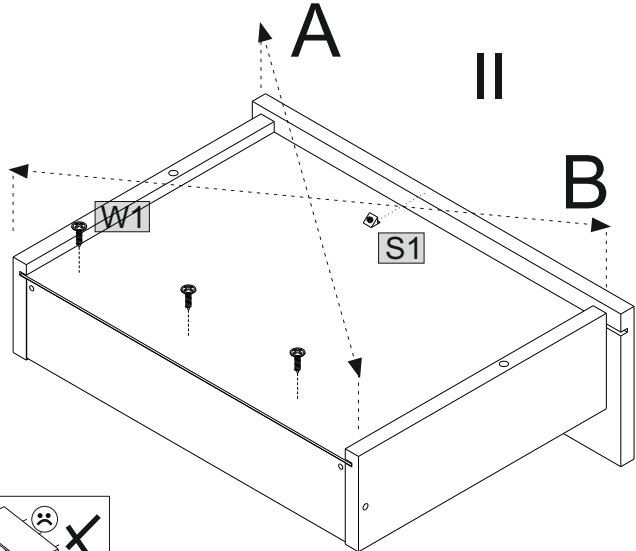
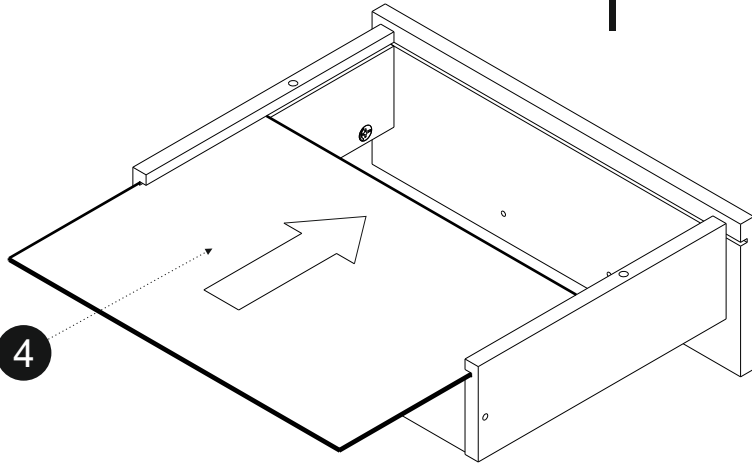


13



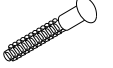
14

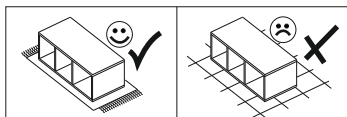
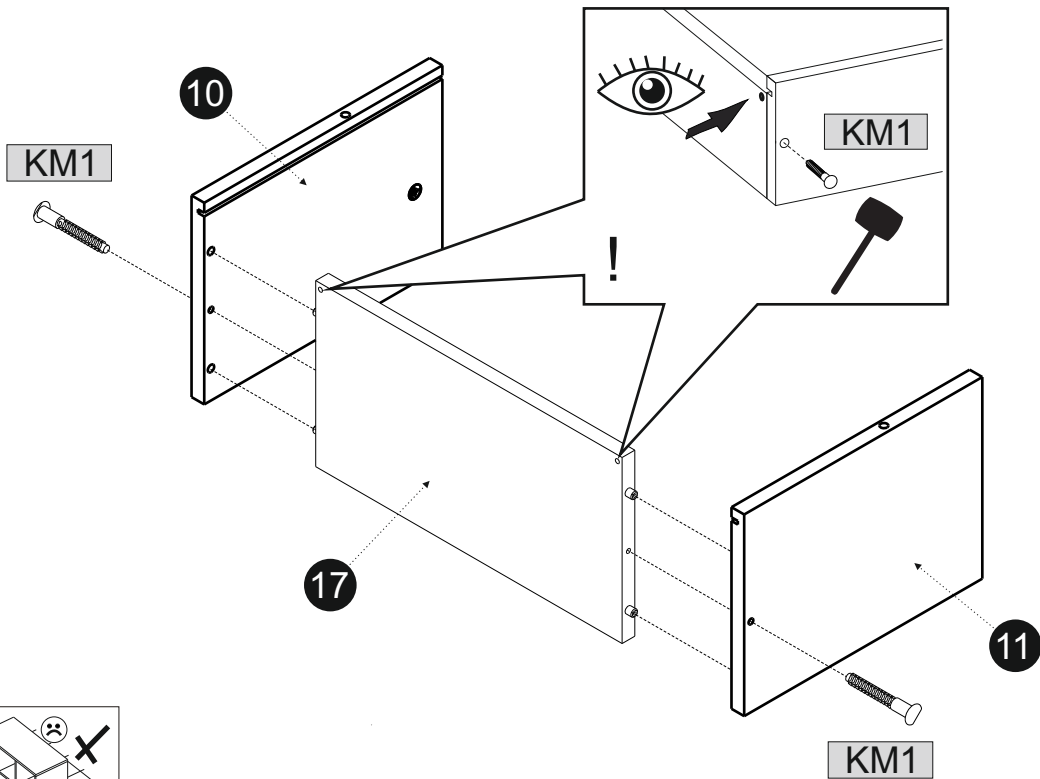
			3x16
S1	1	W1	3



15

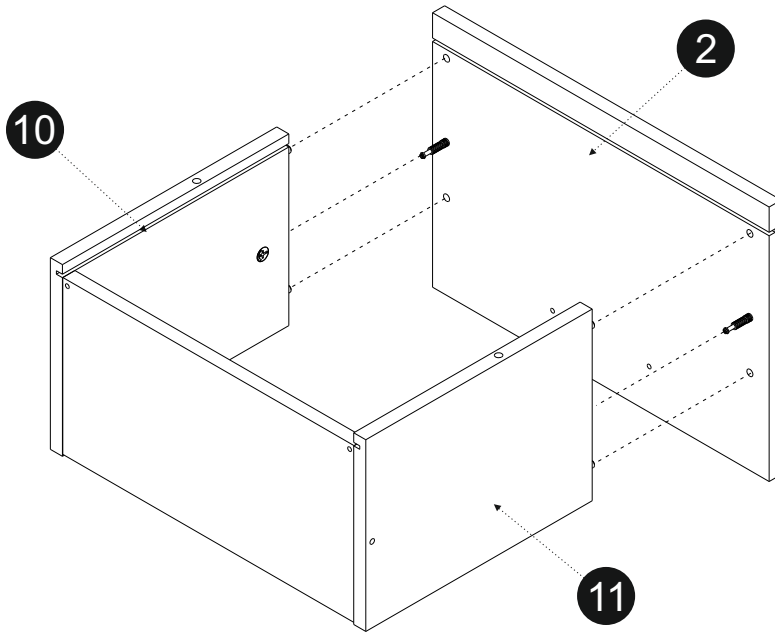
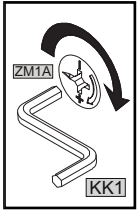
2x

	
KM1	2

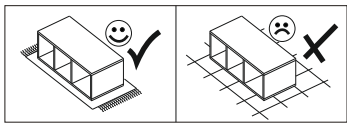


16

2x

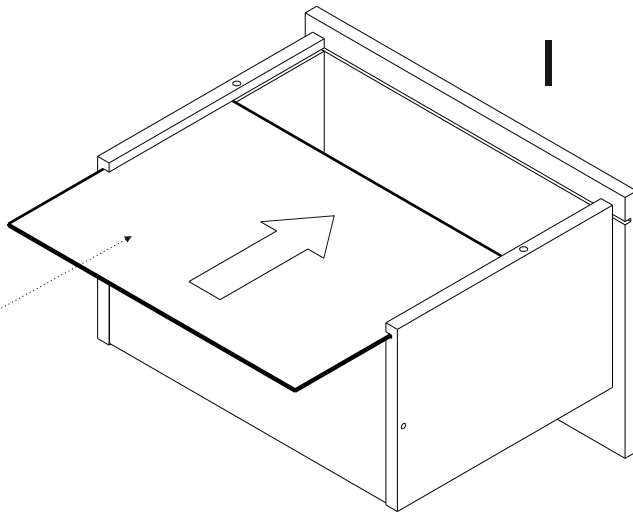


KK1	1

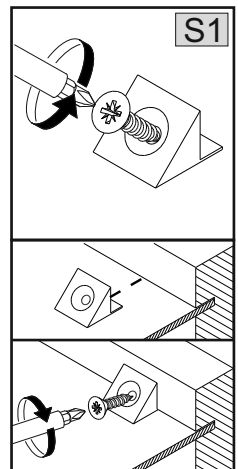
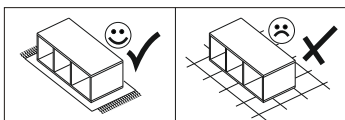
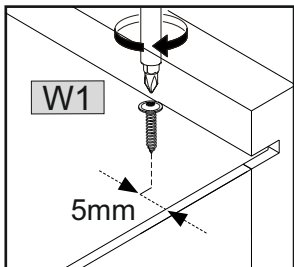
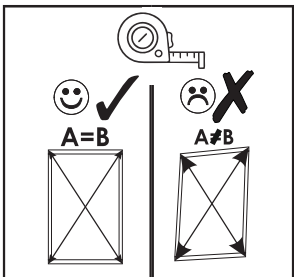
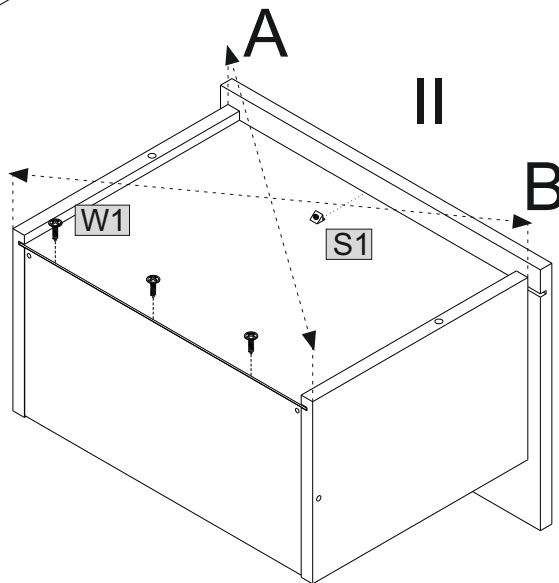


17

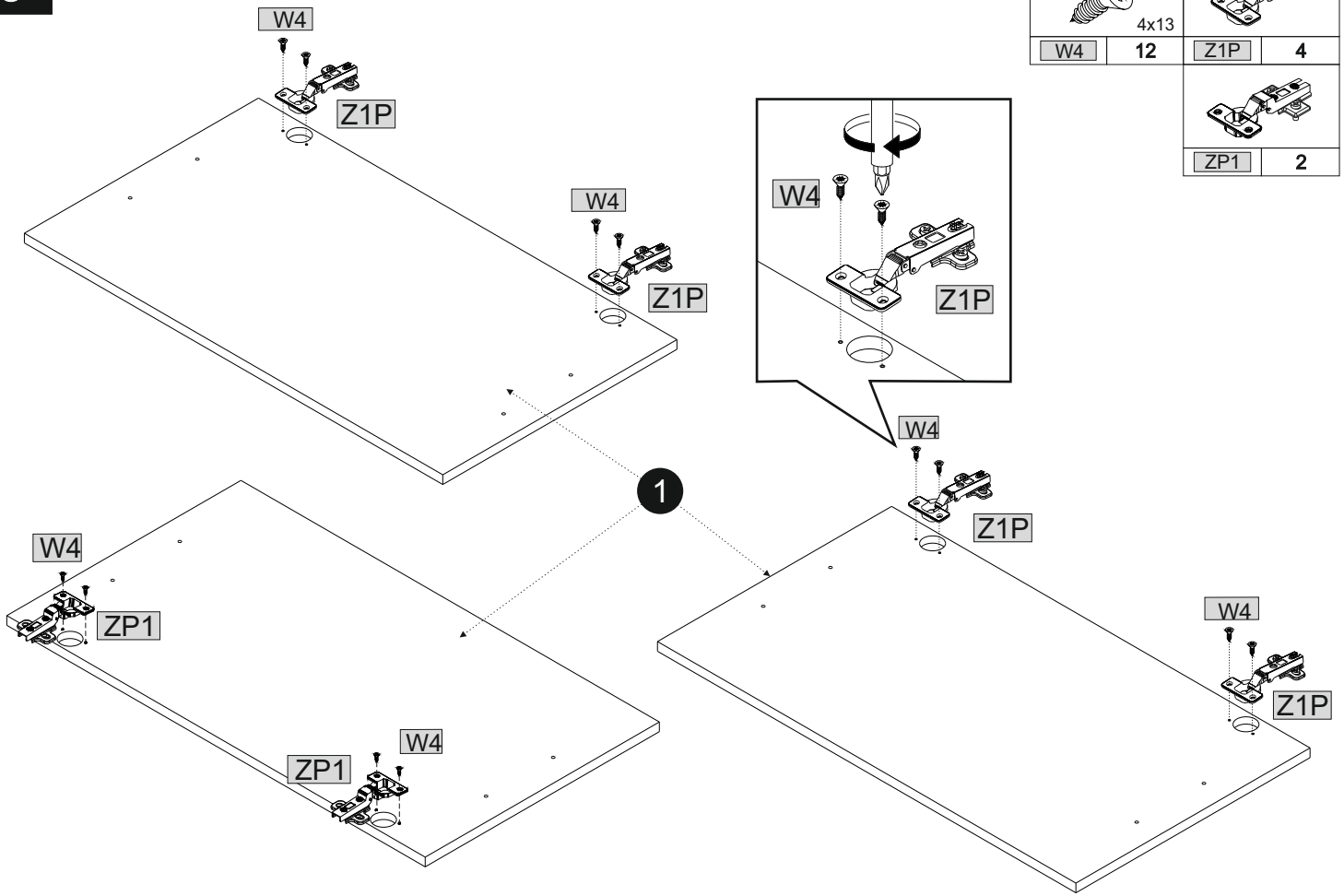
2x



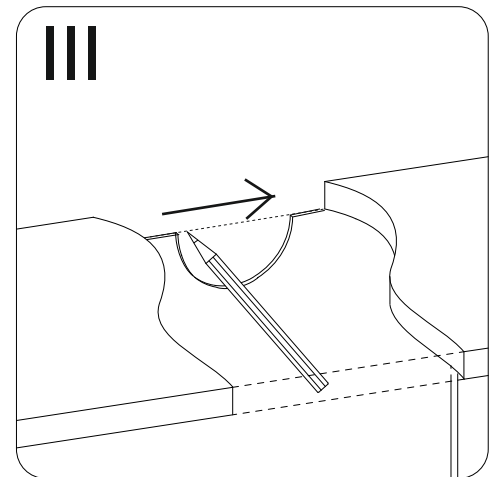
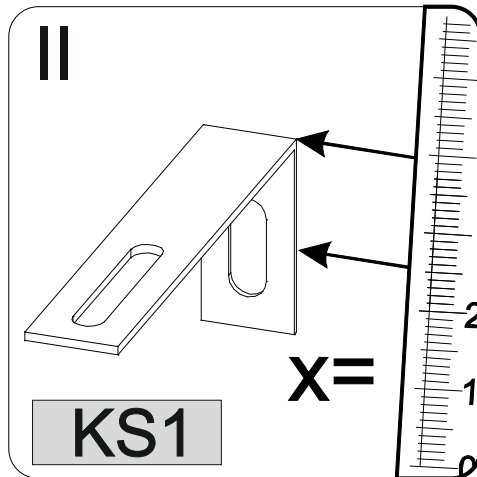
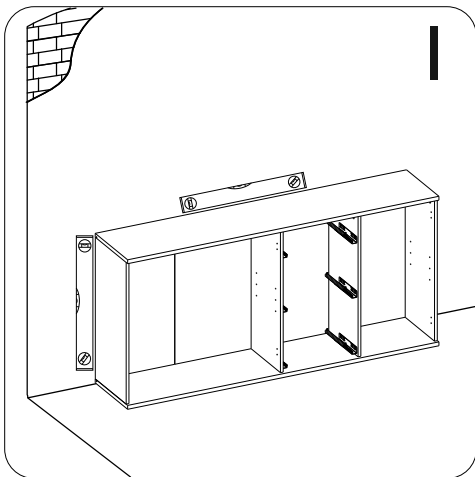
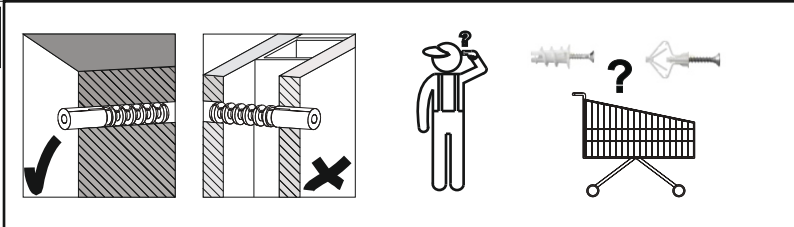
S1	1	W1	3


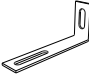




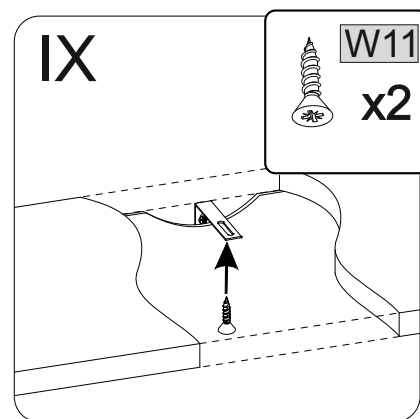
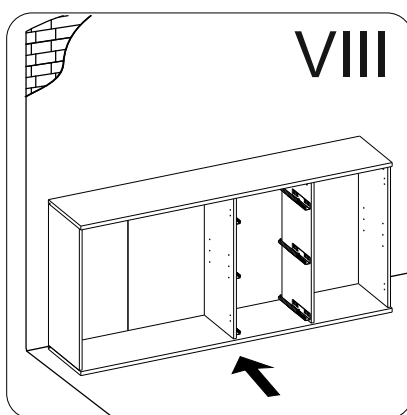
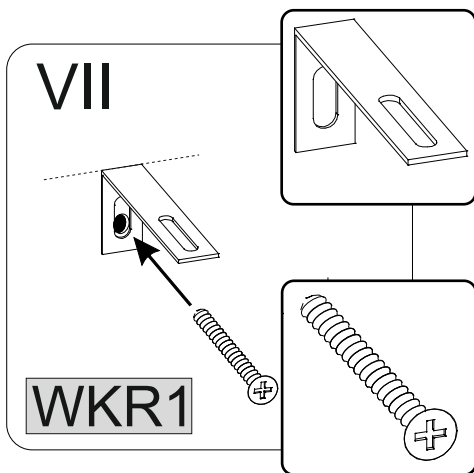
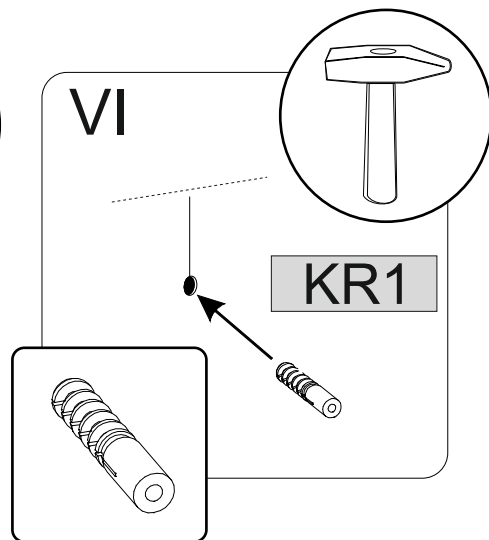
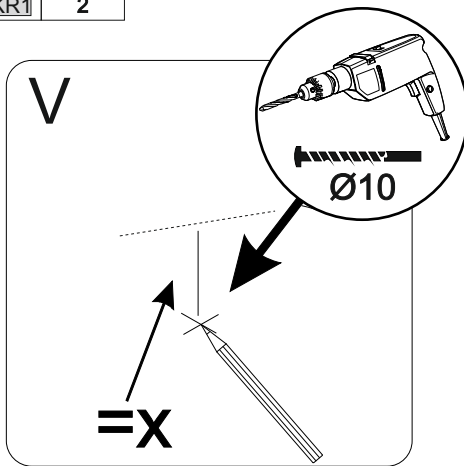
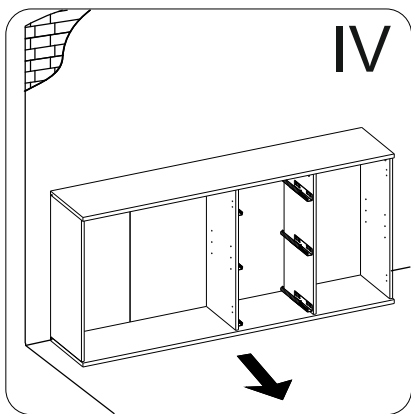
18



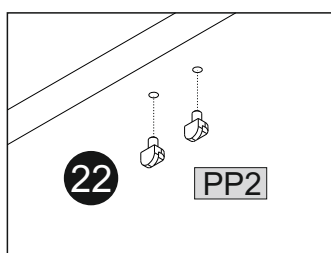
19



	3,5x16		KS1	2		08x50	KR1	2		06x50	WKR1	2
---	--------	--	-----	---	--	-------	-----	---	--	-------	------	---



20

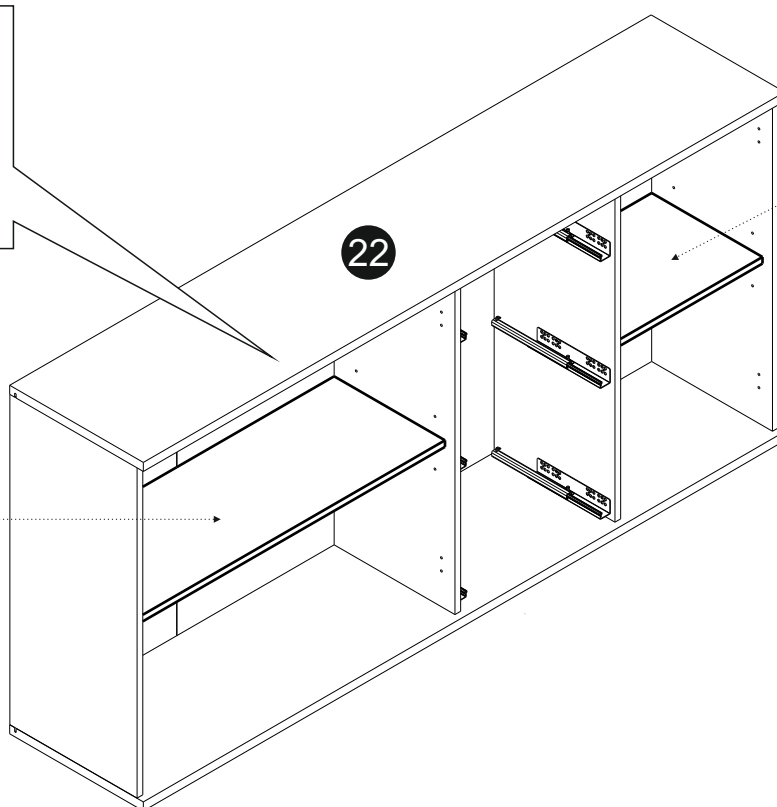




22

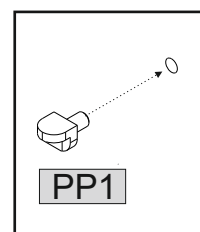
15


22

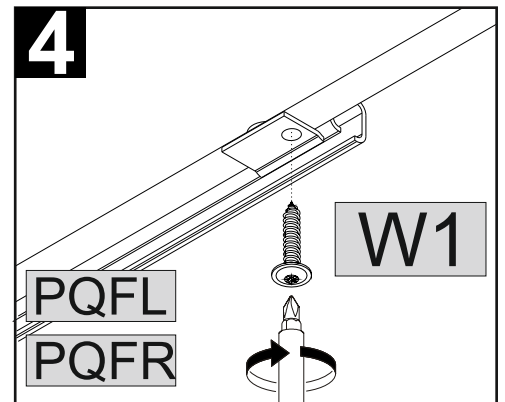
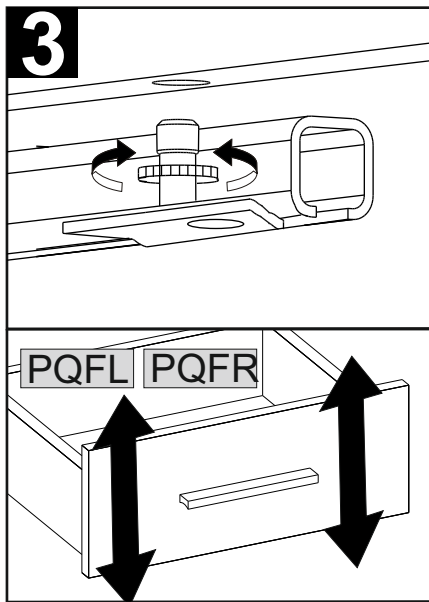
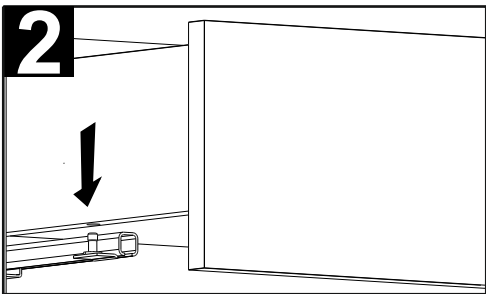
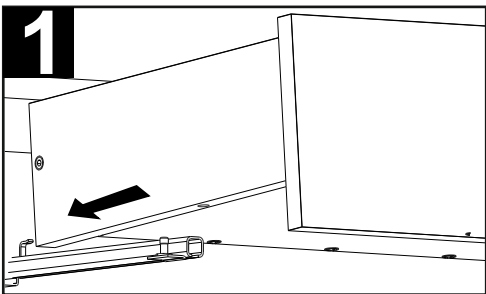
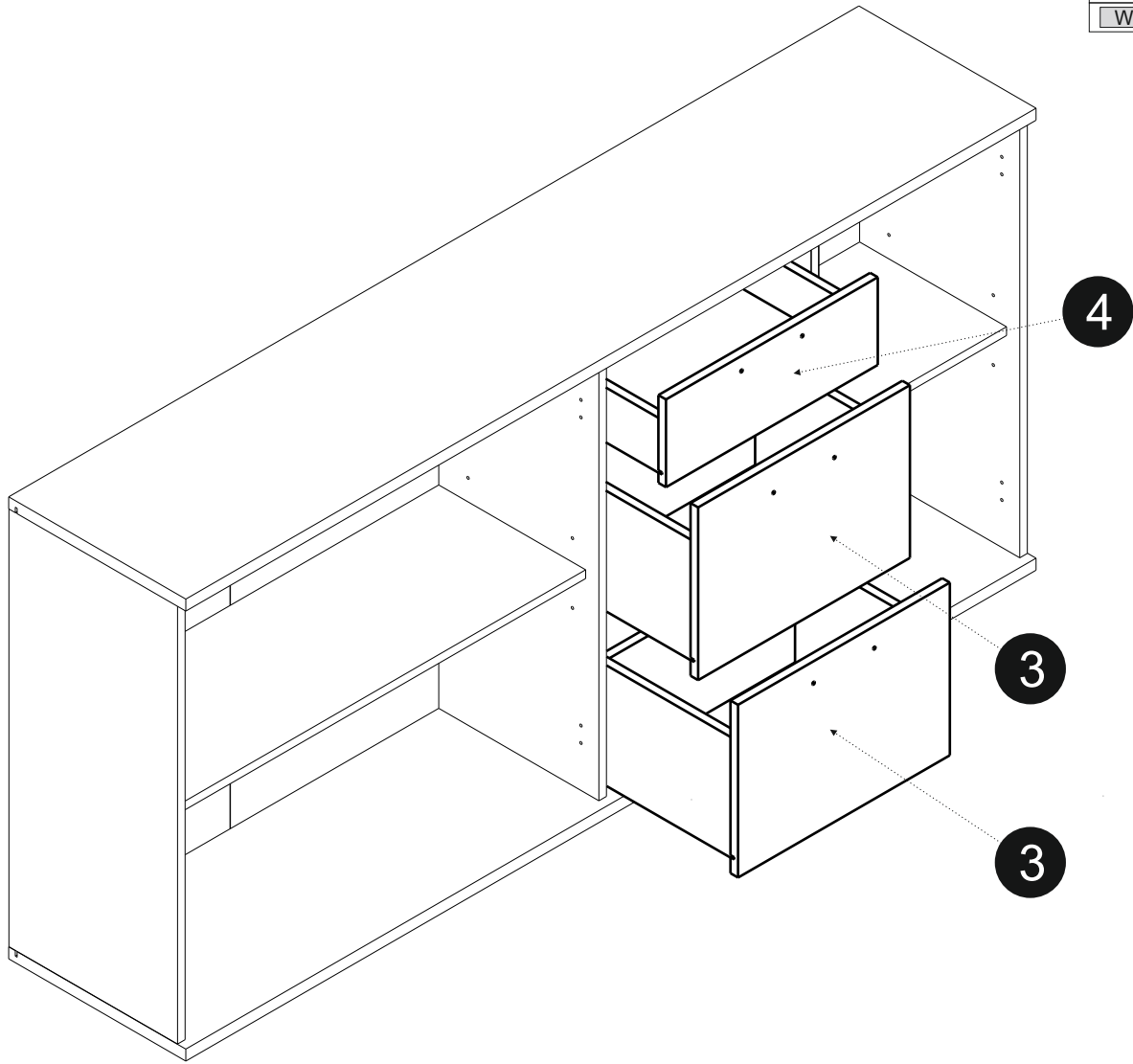
16

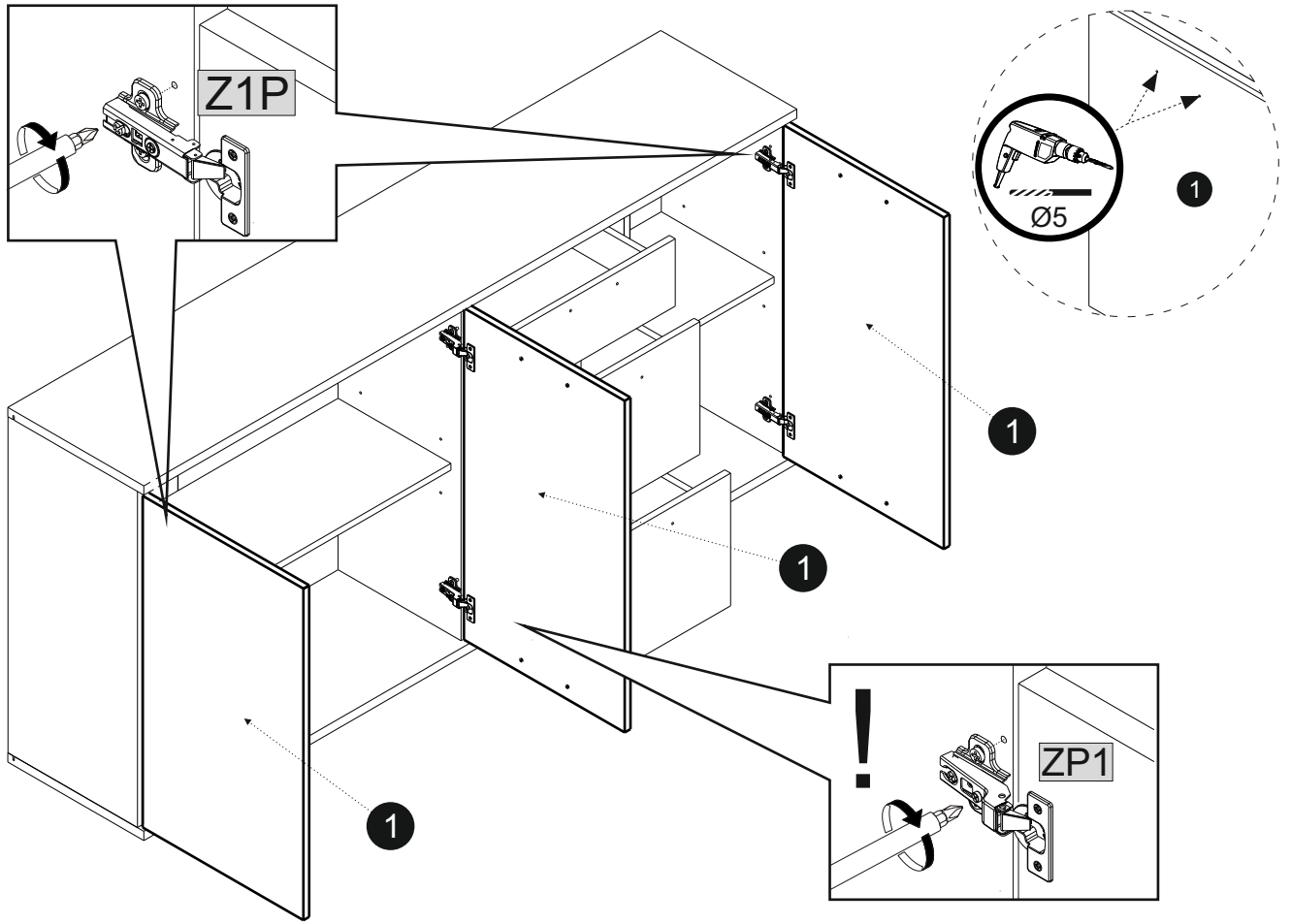


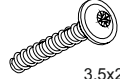
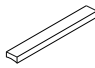

	PP1	8
	PP2	2



	
W1	6





		
3,5x25		
WU 12	U56 6	ZM1 10

