





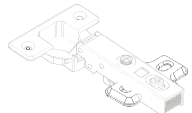

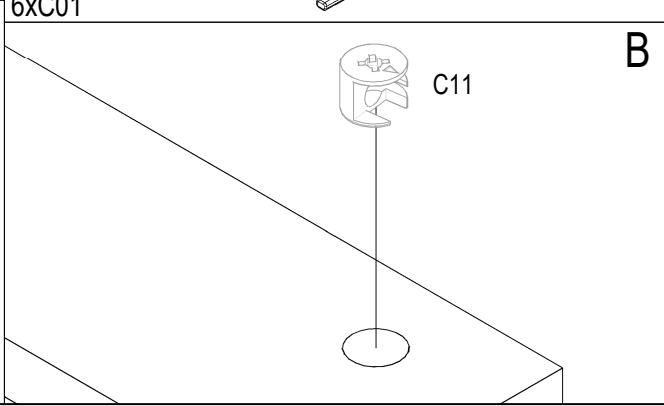
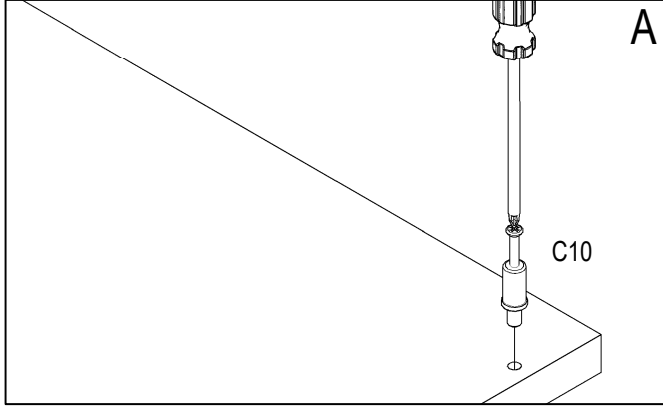
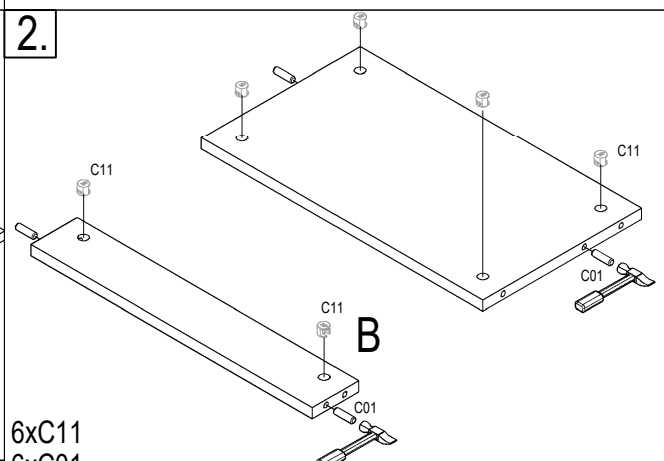
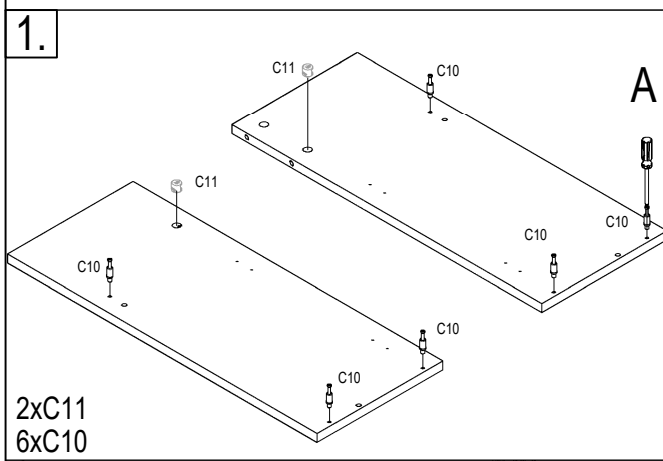
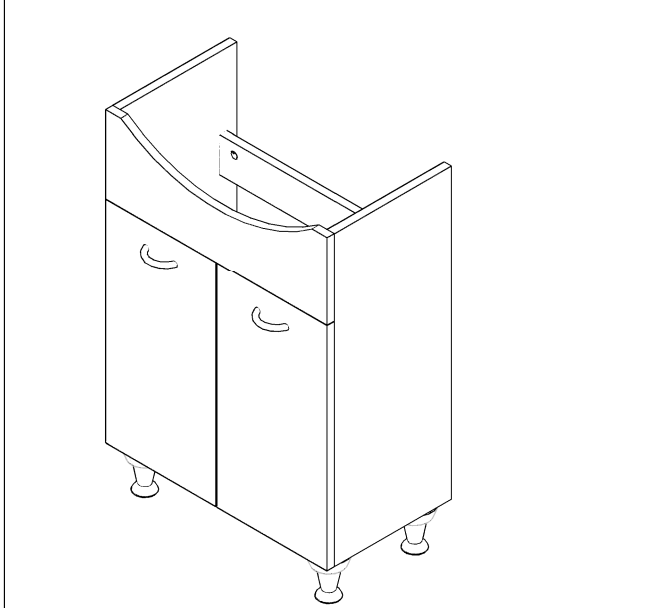
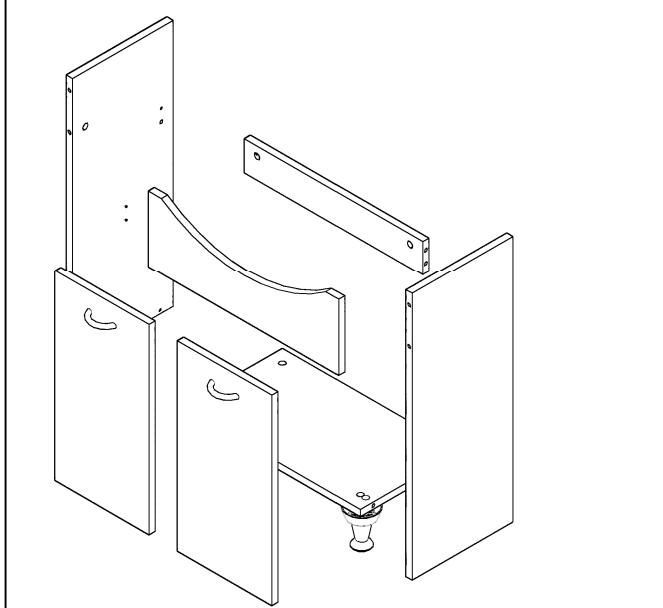
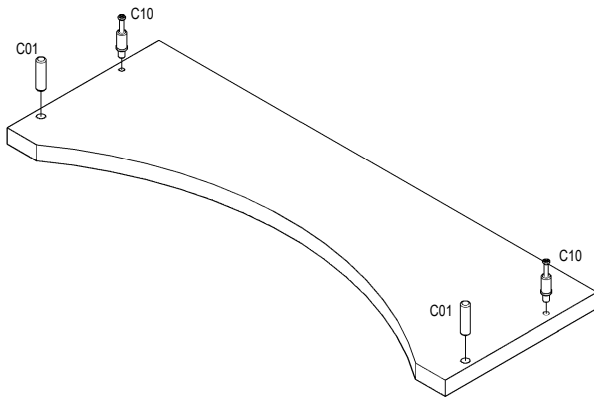


NR.5

 3.5x16 S02 x32	 M4x22 S11 x4	 C01 x8	 C10 x8	 C11 x8	 P01 x4
 B01 x4	 M01 x2				

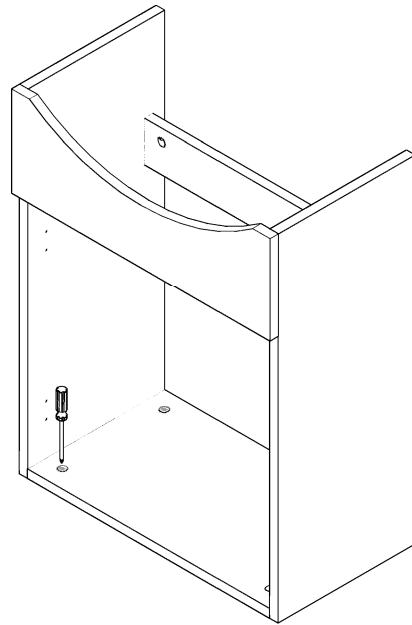


3.

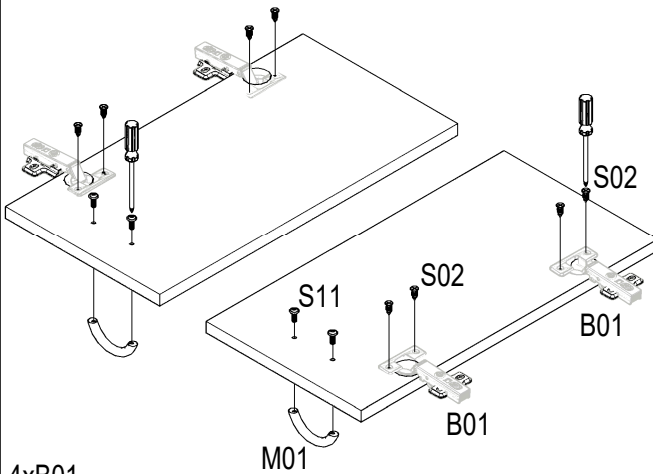


2xC10
2xC01

4.

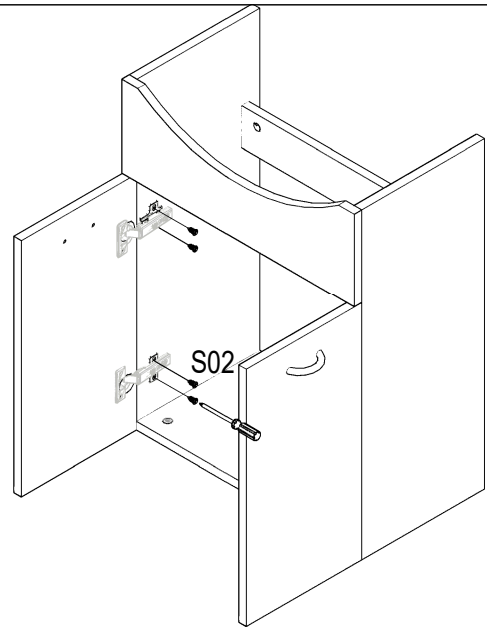


5.



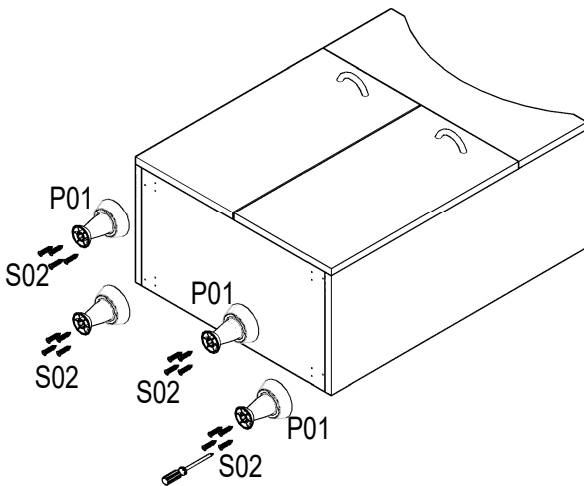
4xB01
2xM01
4xS11
8xS02

6.



8xS02

7.



4xP01
16xS02