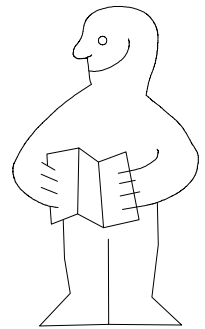
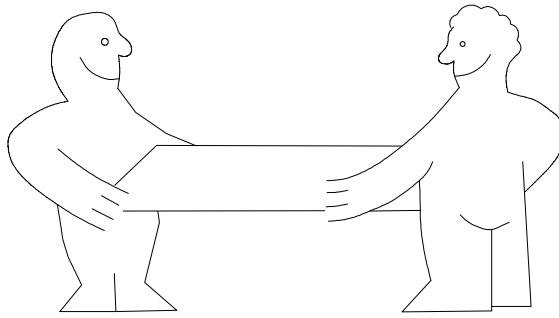
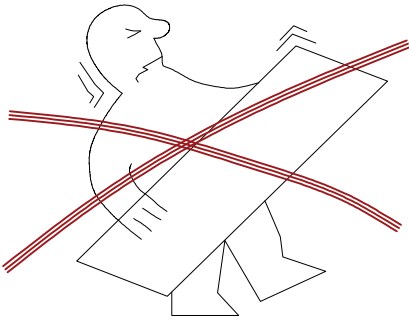
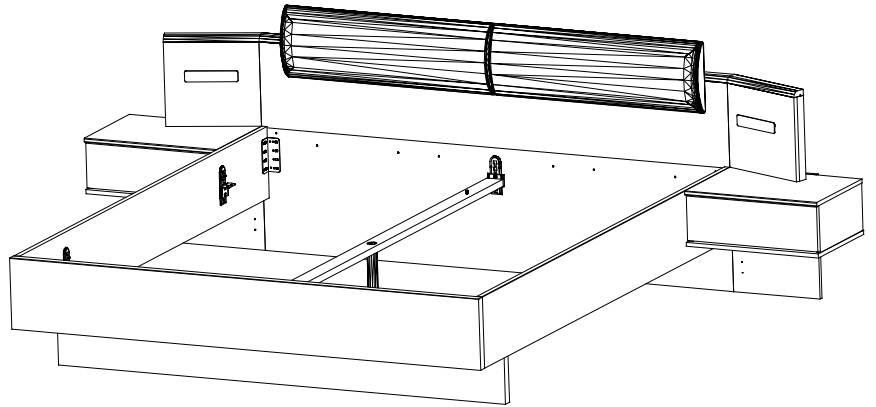
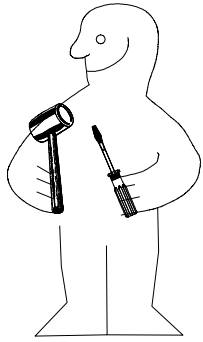
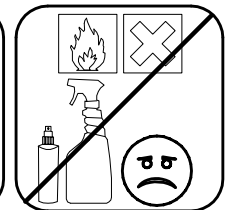
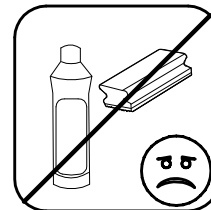
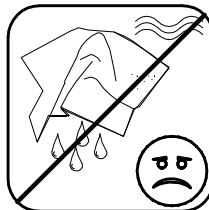
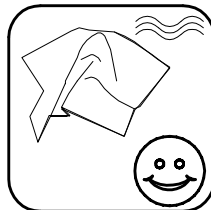
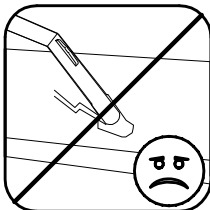
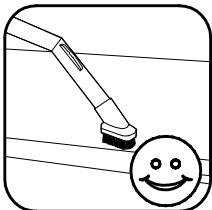
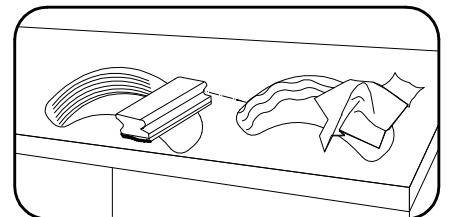
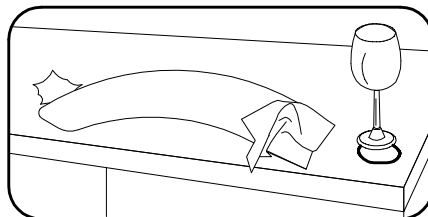
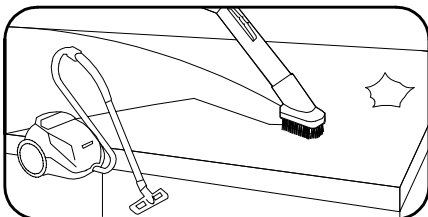
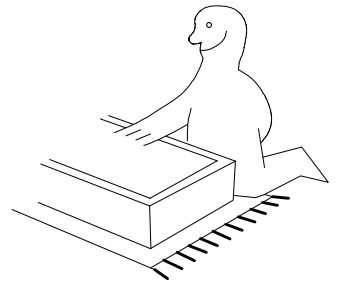
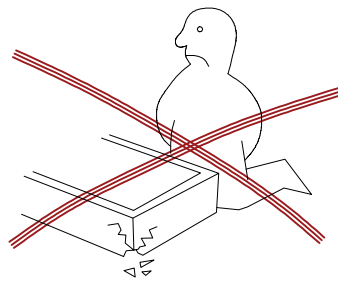
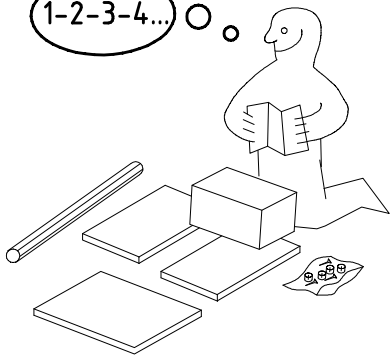
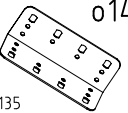
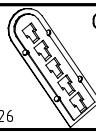
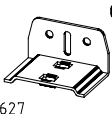
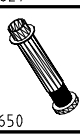


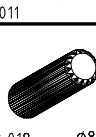


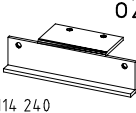

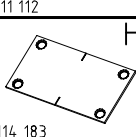
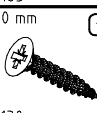
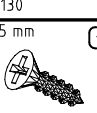
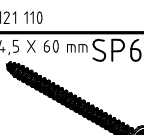
980403











1-2-3-4... ○ ○

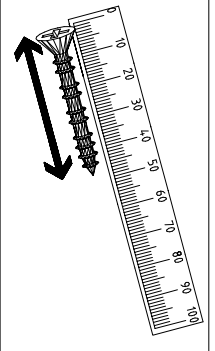
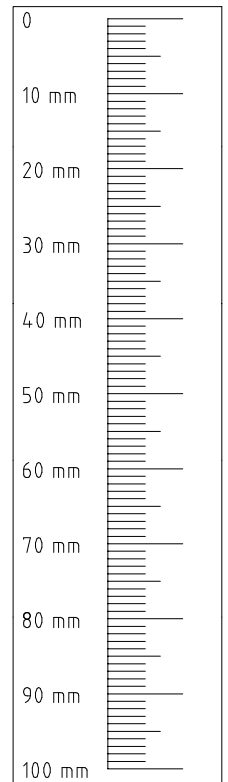
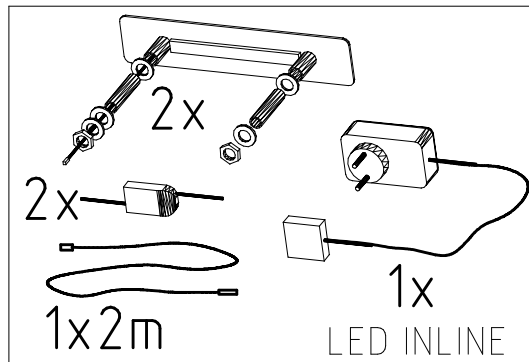



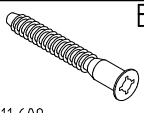
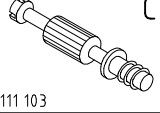
 111 135	o14	4x
 111 626	o6	6x
 111 627	o7	6x
 111 650	o9	1x
 111 154	o30	12x
 111 011	o34	2x
 353 018	D	4x ø8 x 30




 114 240	o26	2x
 111 112	H	6x
 114 183	H5	4x
 121 130	G22 4x20 mm	16x
 121 110	G23 4x15 mm	20x
 122 126	SP60 4,5 X 60 mm	6x

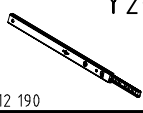
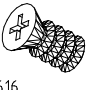
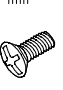
 121 120	SP15 4 X 15mm	46x
 121 121	SP20 4 X 20mm	24x
 122620	SP27 4 X 27 mm	18x
 121 127	SP35 4 X 35 mm	10x

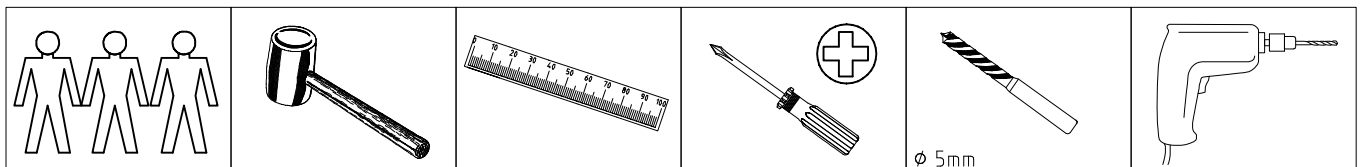
 121 148	M6x12 mm G4	6x
 121 149	M5x35 mm G51	4x
 121 150	G6	4x
 129 407	US ø12	4x

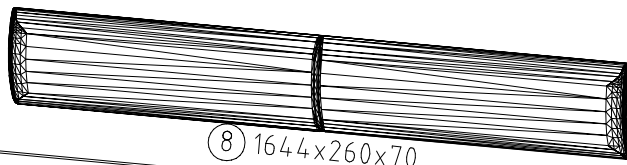


 111 102	A	8x
 111 609	B	8x
 111 103	C	8x

 353 018	D	24x ø8 x 30
 121 128	SP30 4 X 30 mm	10x
 163 007	Z	1x LEP FLIK GLUE

 112 190	Y20 6,3 x 10	4x
 112 616	T3	8x
 111 015	M4 x 9 mm G8	4x

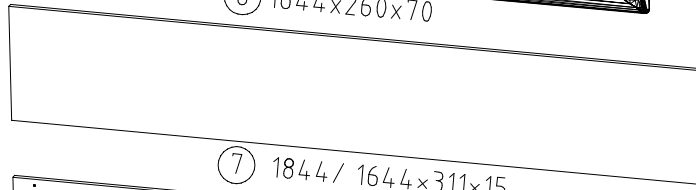




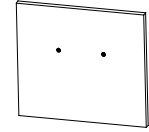
⑧ 1644x260x70



⑭ 220x80x20°

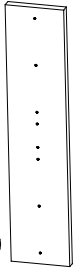


⑦ 1844 / 1644x311x15

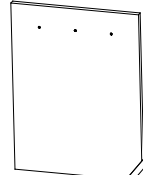


⑬ 307x340x15

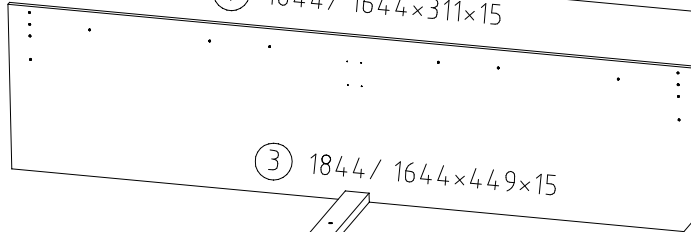
⑪ 700 x 156 x 22



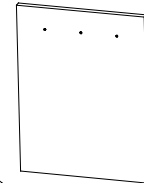
⑬ 307x340x15



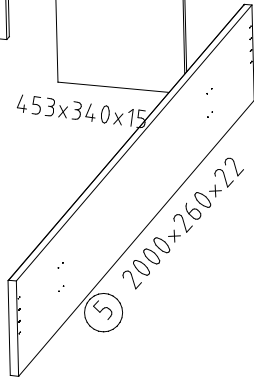
⑫ 453x340x15



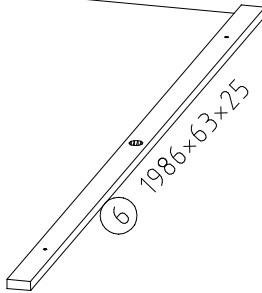
③ 1844 / 1644x449x15



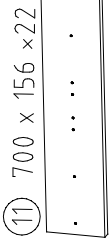
⑫ 453x340x15



⑤ 2000x260x22



⑥ 1986x63x25



⑪ 700 x 156 x 22



④ 1792/1592x 63 x 25



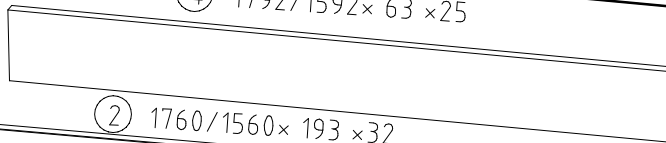
⑮ 307x32x15  
2x



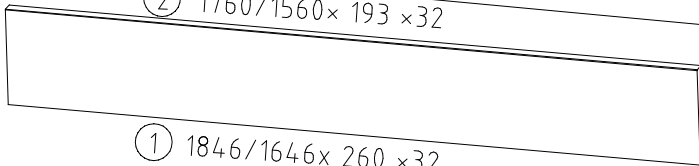
⑯ 341x47 Li  
2x



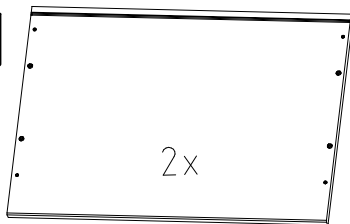
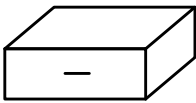
⑰ 341x47 Re  
2x



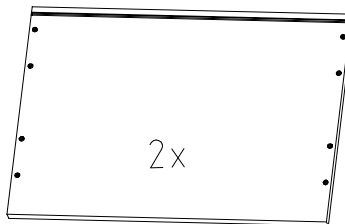
② 1760/1560x 193 x 32



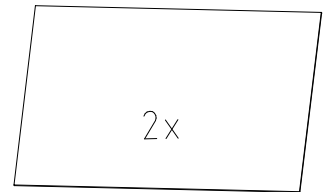
① 1846/1646x 260 x 32



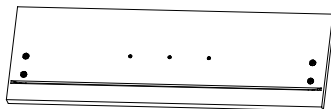
⑳ 520x365x15  
2x



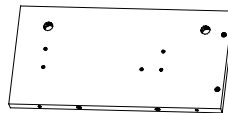
㉑ 520x365x15  
2x



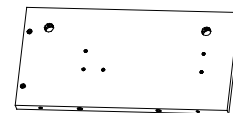
㉒ 465x315x2,5  
2x



㉓ 513x163x15  
2x



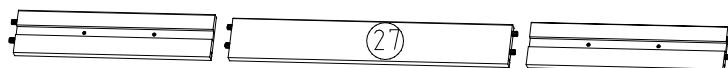
㉔ 487x172x18  
2x



㉕ 487x172x18  
2x



㉖ 487x172x18  
2x



㉗ 316/480x75x12  
2x

# 1

Diagram 1 shows the assembly of a panel. The main view shows two panels (5) with components 014, SP20, G22, and 06. A detail view shows the corner connection between two panels, highlighting the use of component 014 and screw G22. A warning symbol is present.

111 135	SP20 4x20mm	G22	06
121 121		121 130	111 626

# 2

Diagram 2 shows the assembly of a panel. The main view shows a panel (1) with components 06, G23, and H. A detail view shows the corner connection between two panels, highlighting the use of component 06 and screw G23. A warning symbol is present.

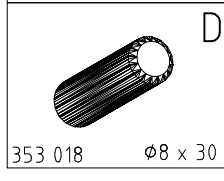
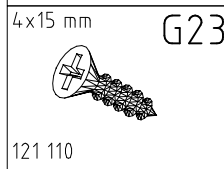
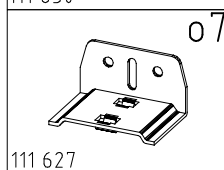
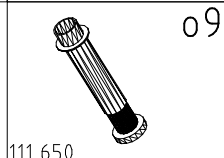
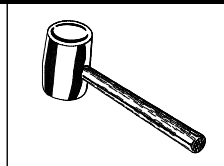
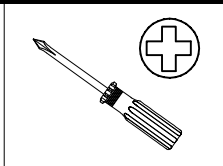
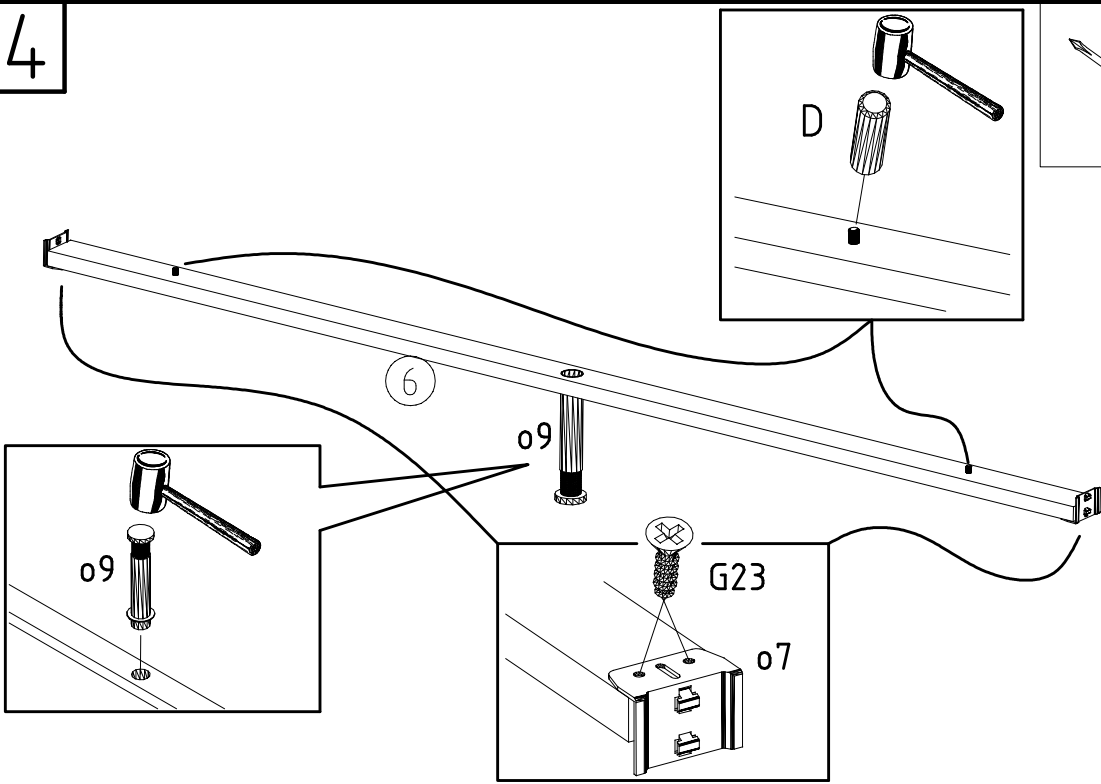
111 626	06 4x15 mm	G23	H
	121 110		111 112

# 3

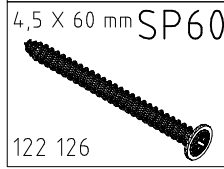
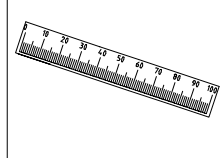
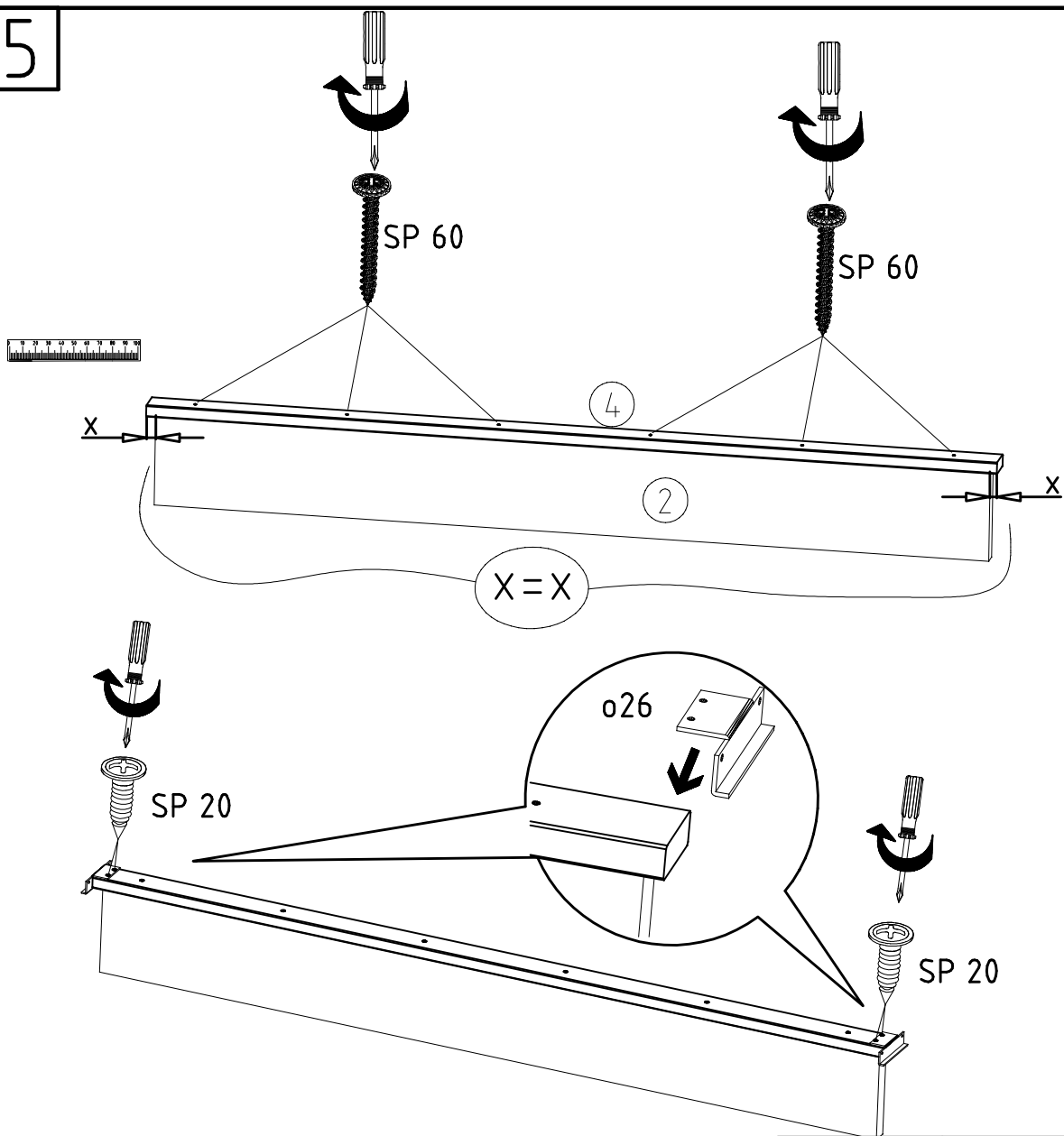
Diagram 3 shows the assembly of a panel. The main view shows a panel (3) with components 06, G23, and H. A detail view shows the corner connection between two panels, highlighting the use of component 06 and screw G23. A warning symbol is present.

111 626	06 4x15 mm	G23	
	121 110		
			∅ 5mm

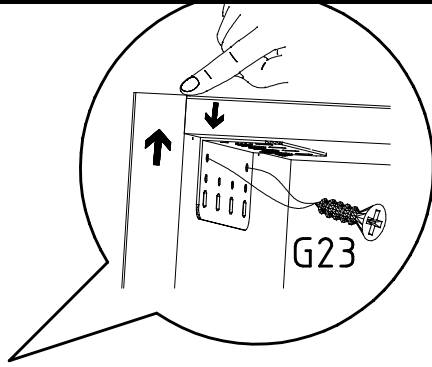
4



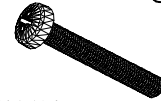
5



6



M5x35 mm G51



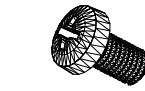
121 149

G6



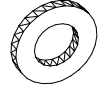
121 150

M6x12 mm G4



121 148

US

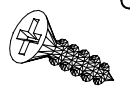


129 407

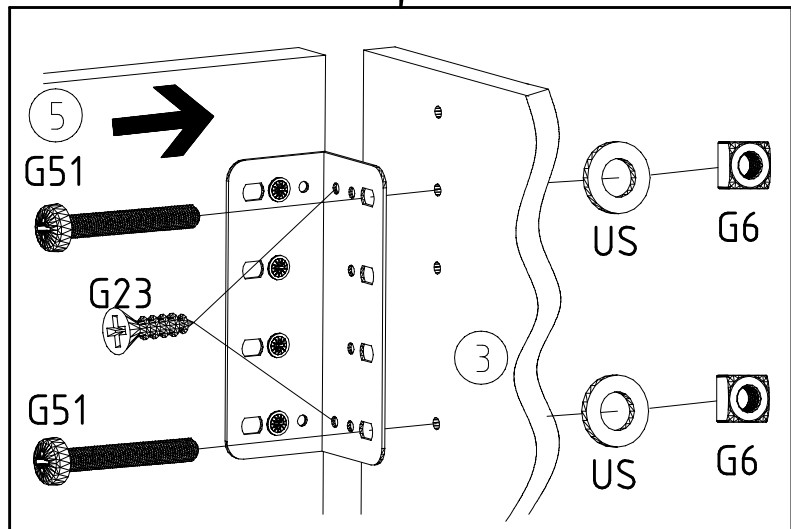
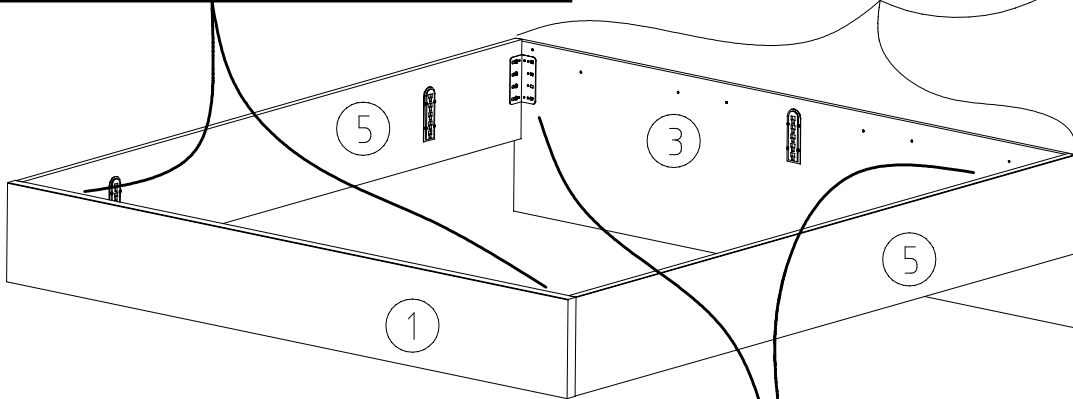
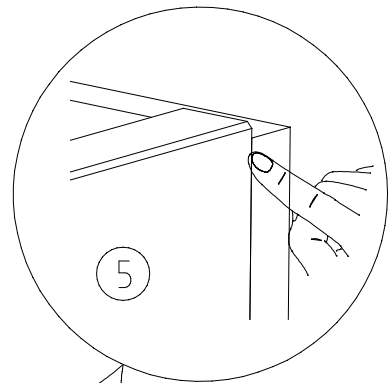
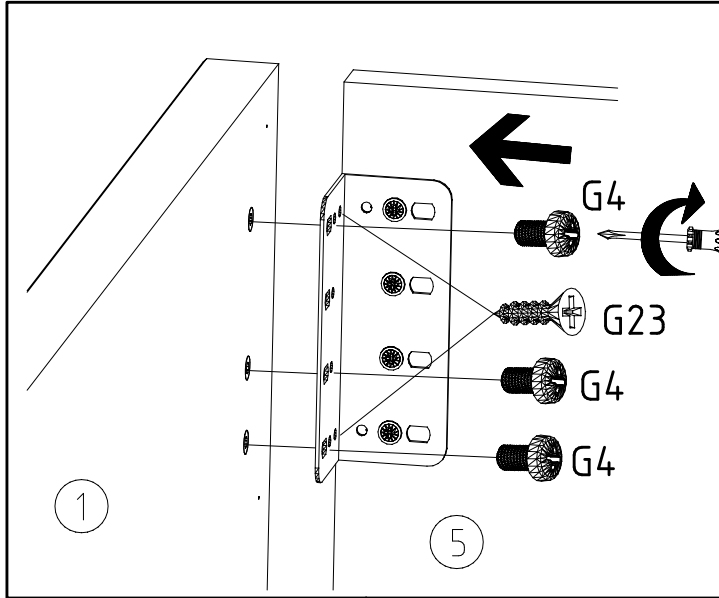
ø12

4x15 mm

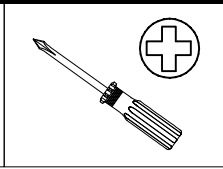
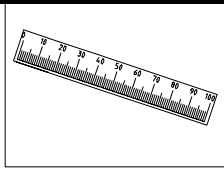
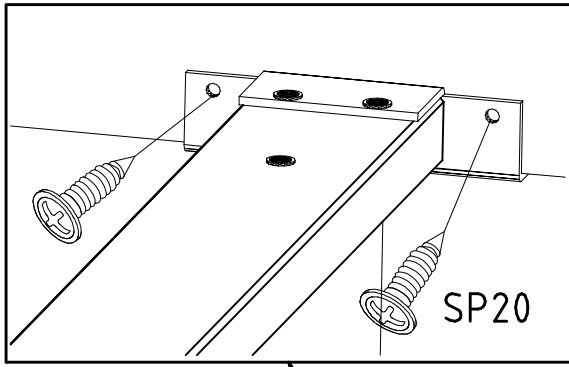
G23



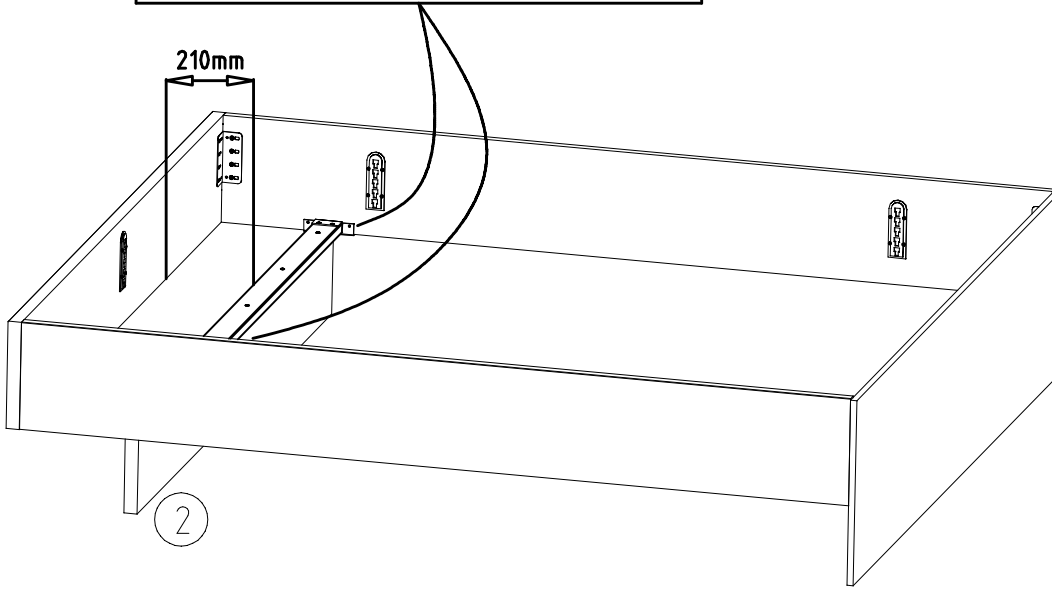
121 110



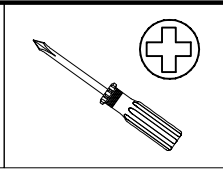
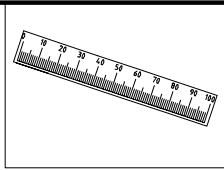
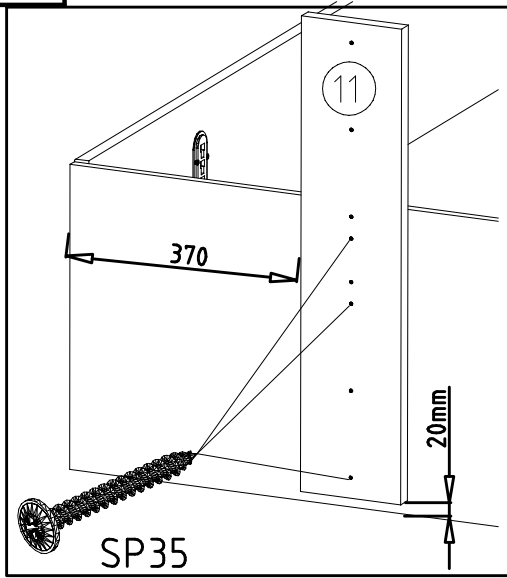
7



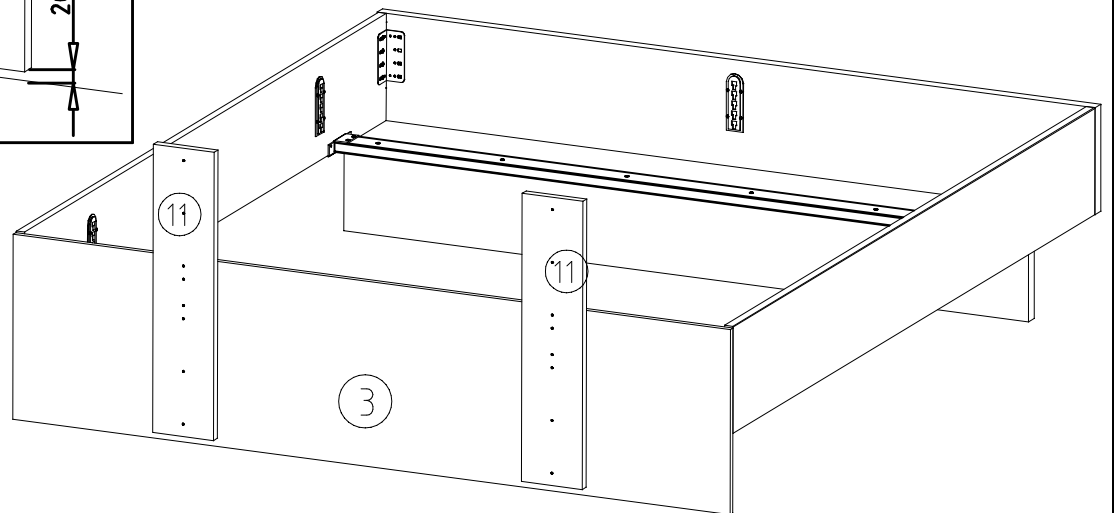
SP20  
4 X 20mm  
121 121

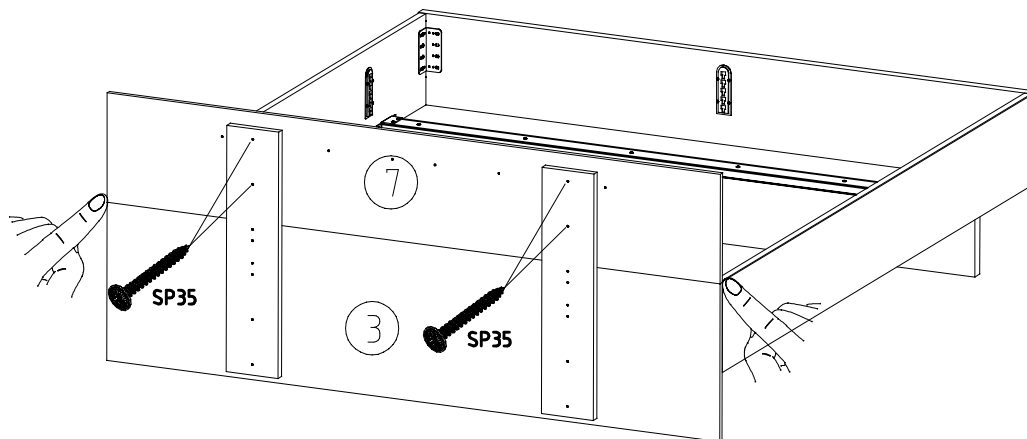
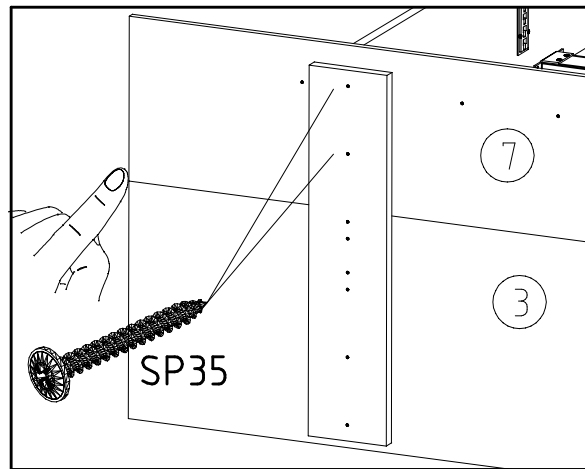
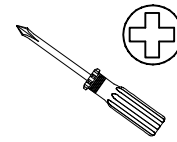


8



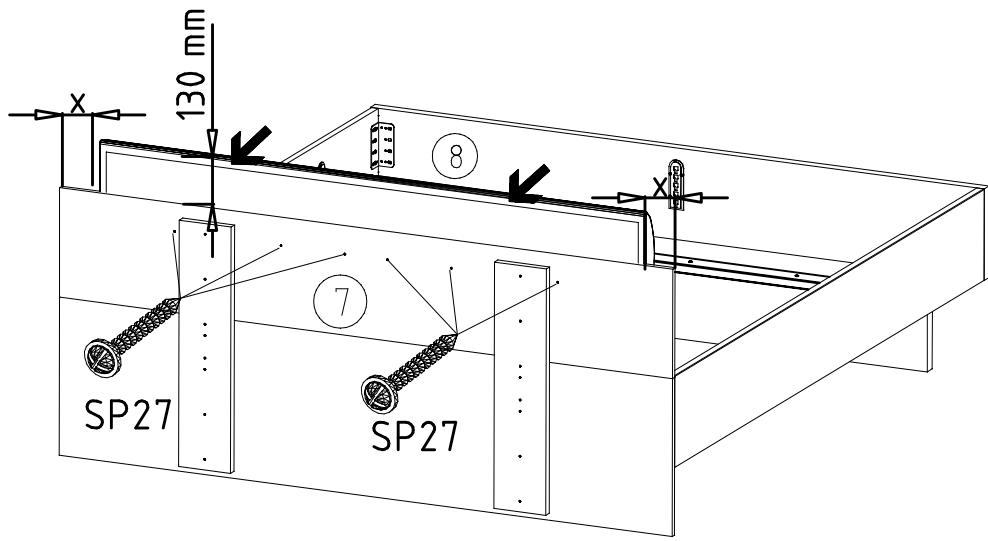
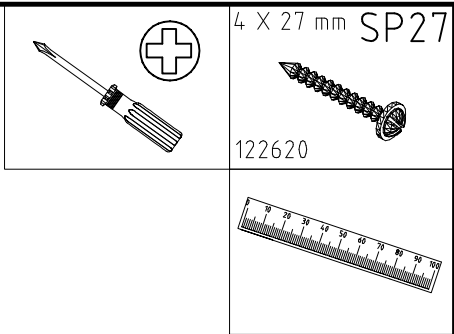
4 X 35 mm SP35  
121 127



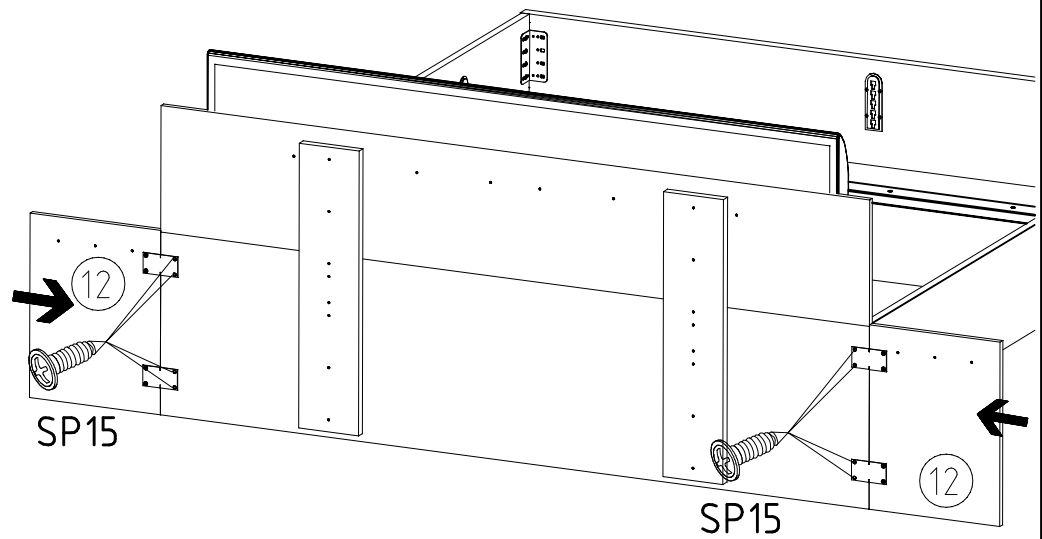
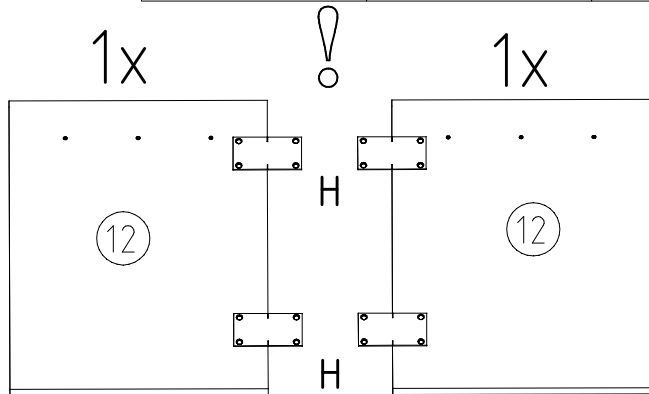
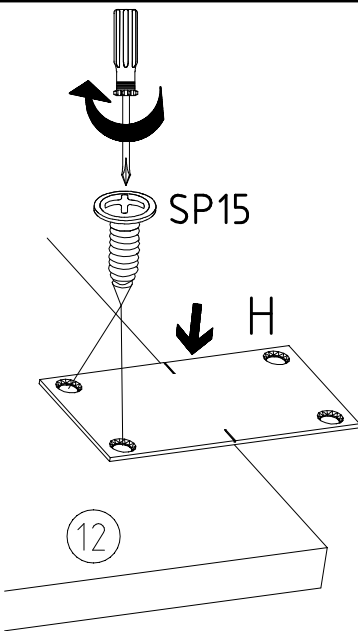
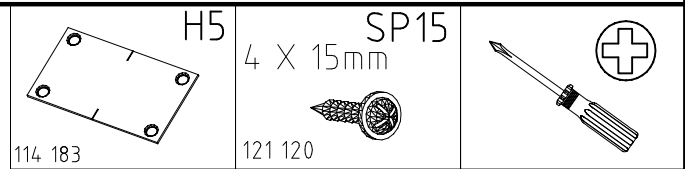




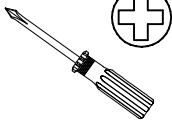

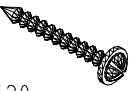
10

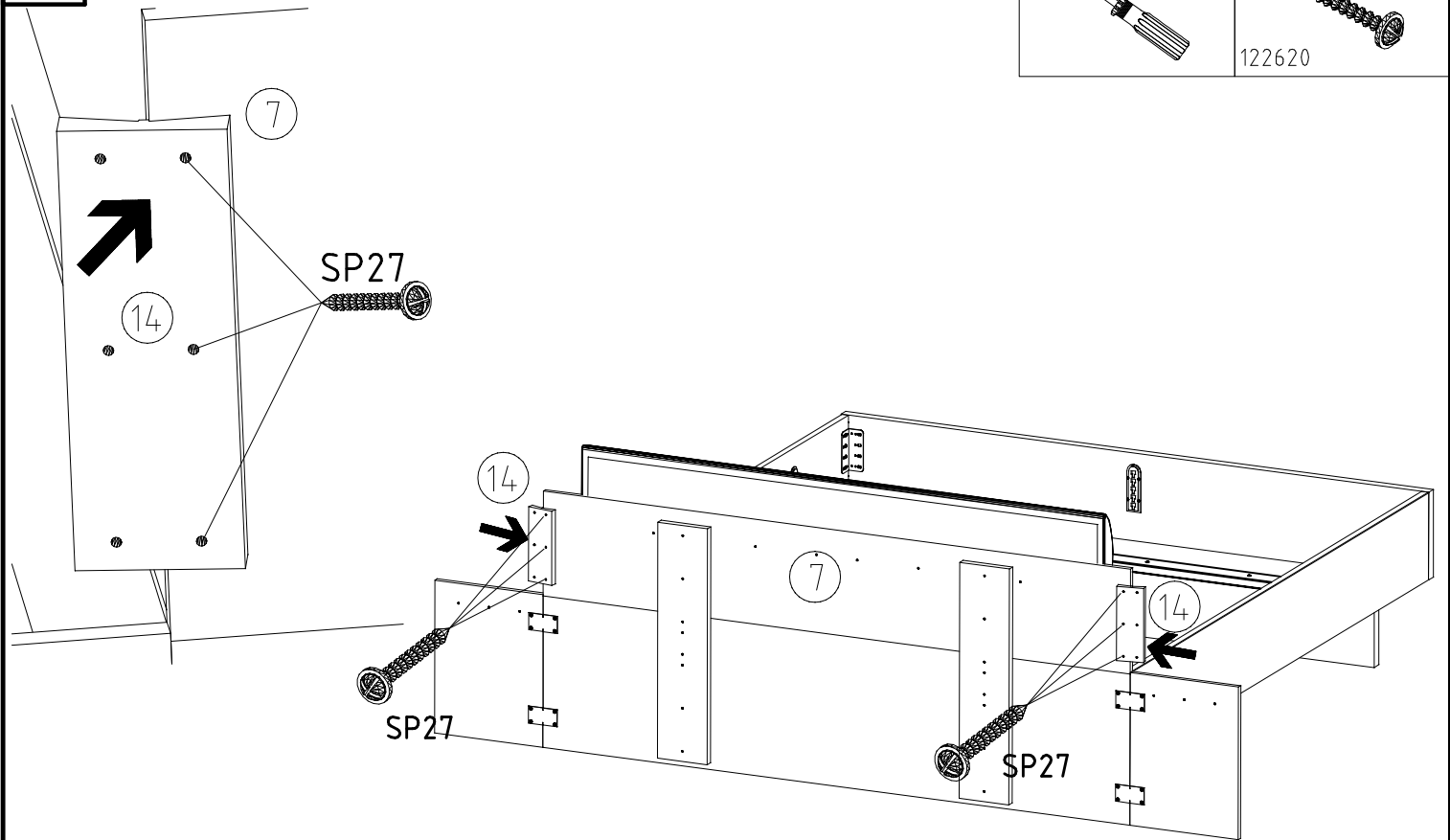


11

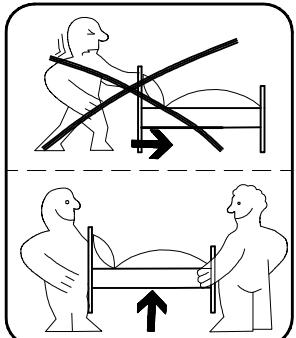
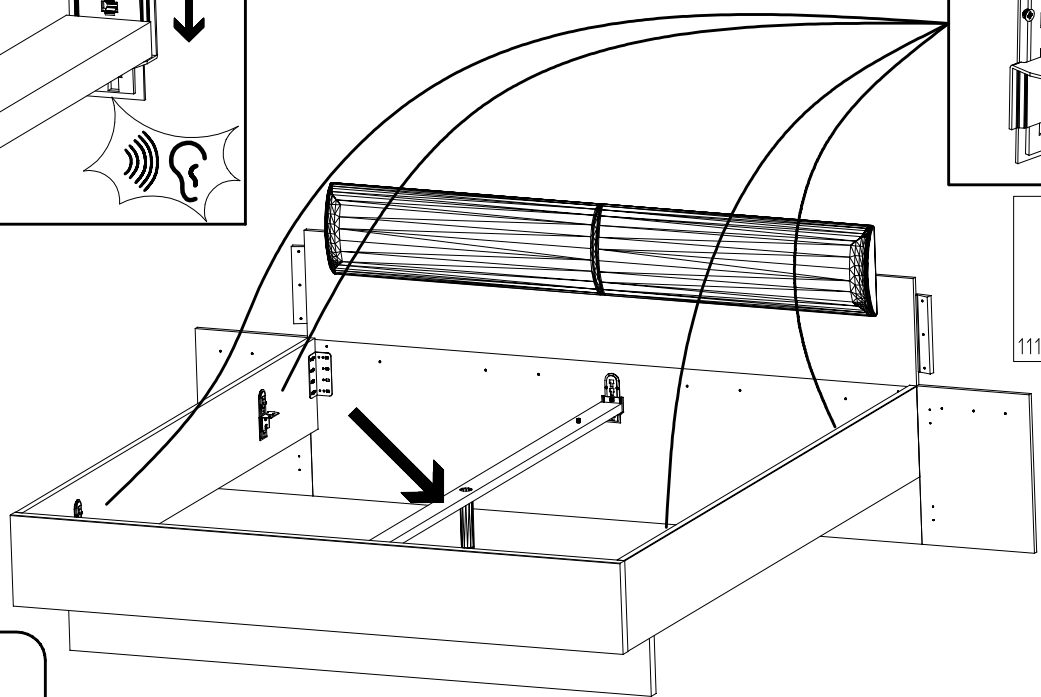
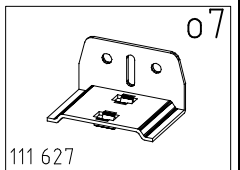
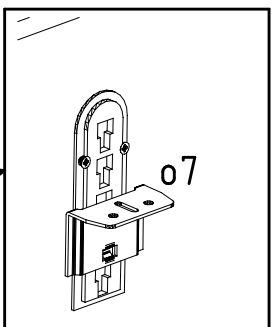
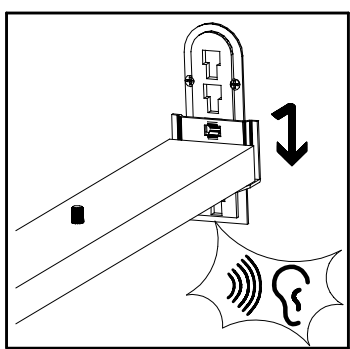


12

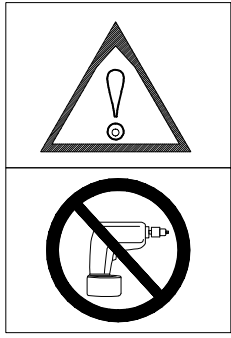
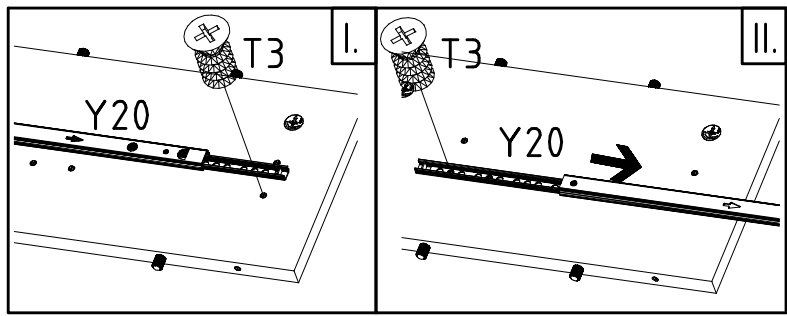
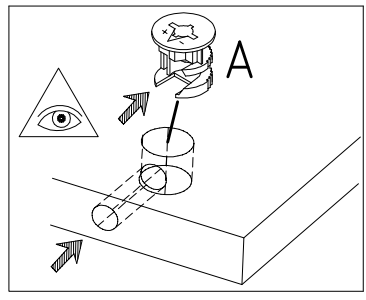
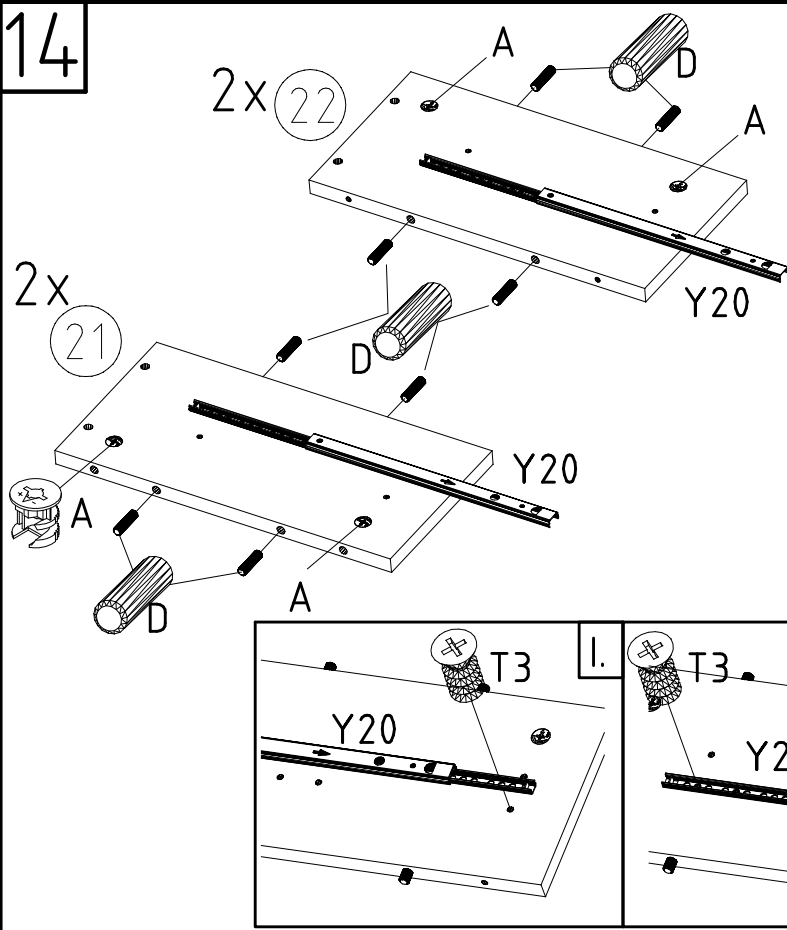
		4 X 27 mm SP27
		
		122620



13



14



Y20

112 190  
6,3 x 10

T3

112 616

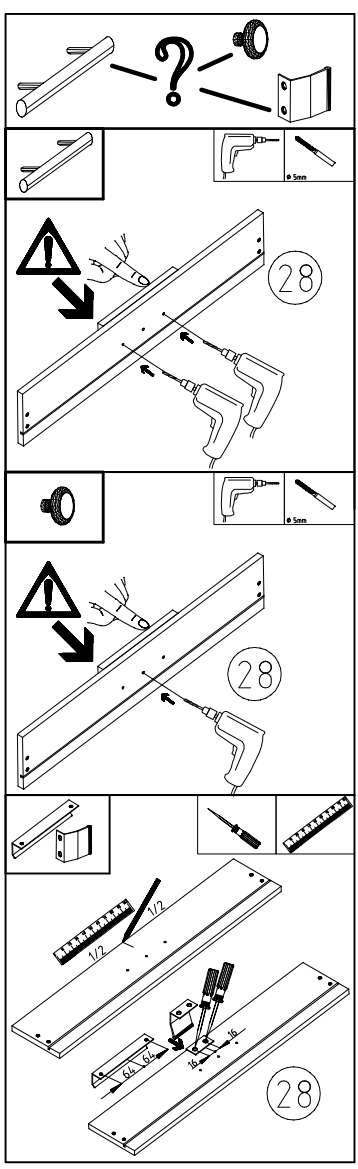
D

353 018    Ø8 x 30

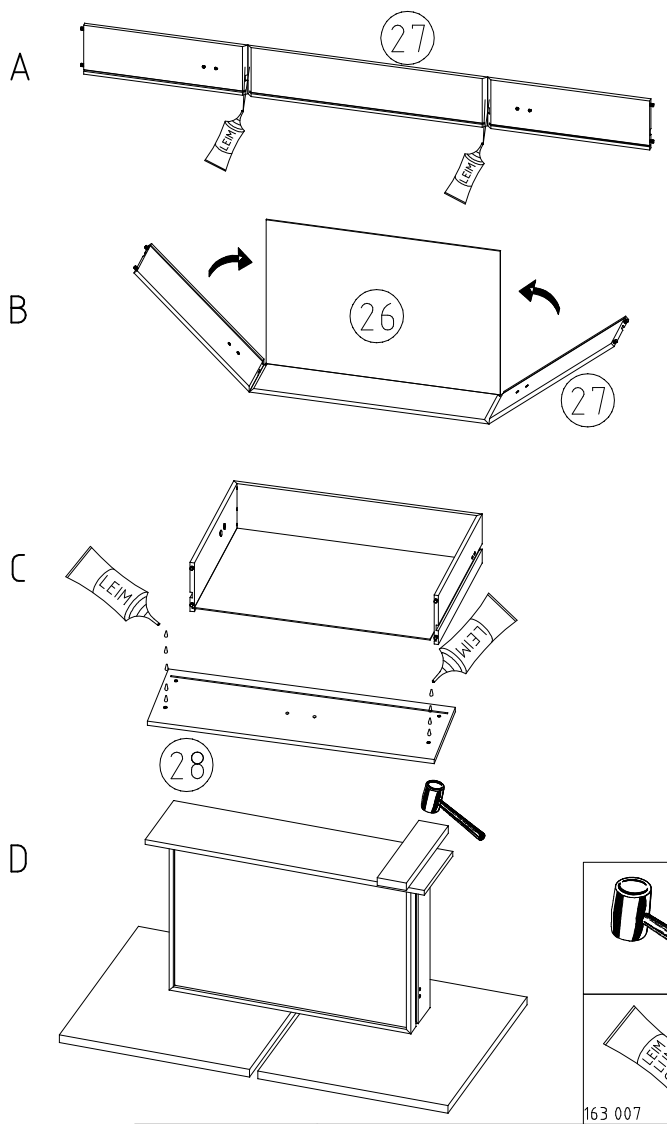
A

111 102

15



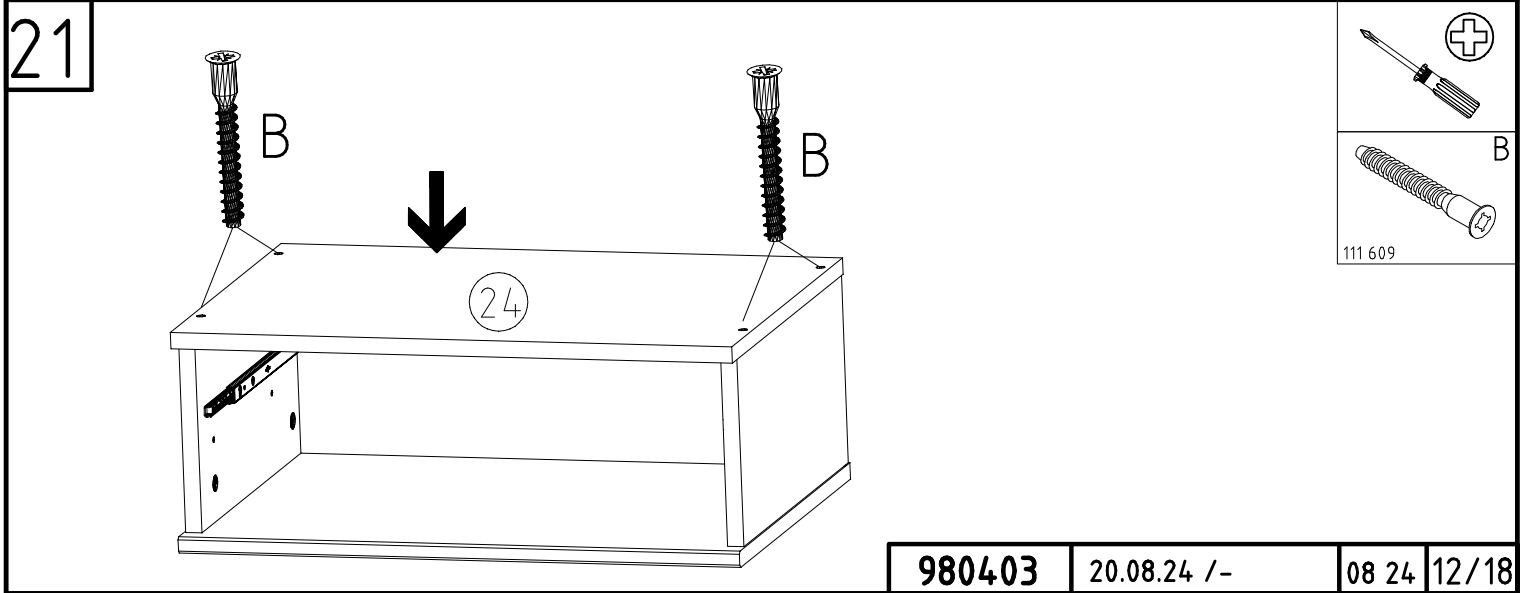
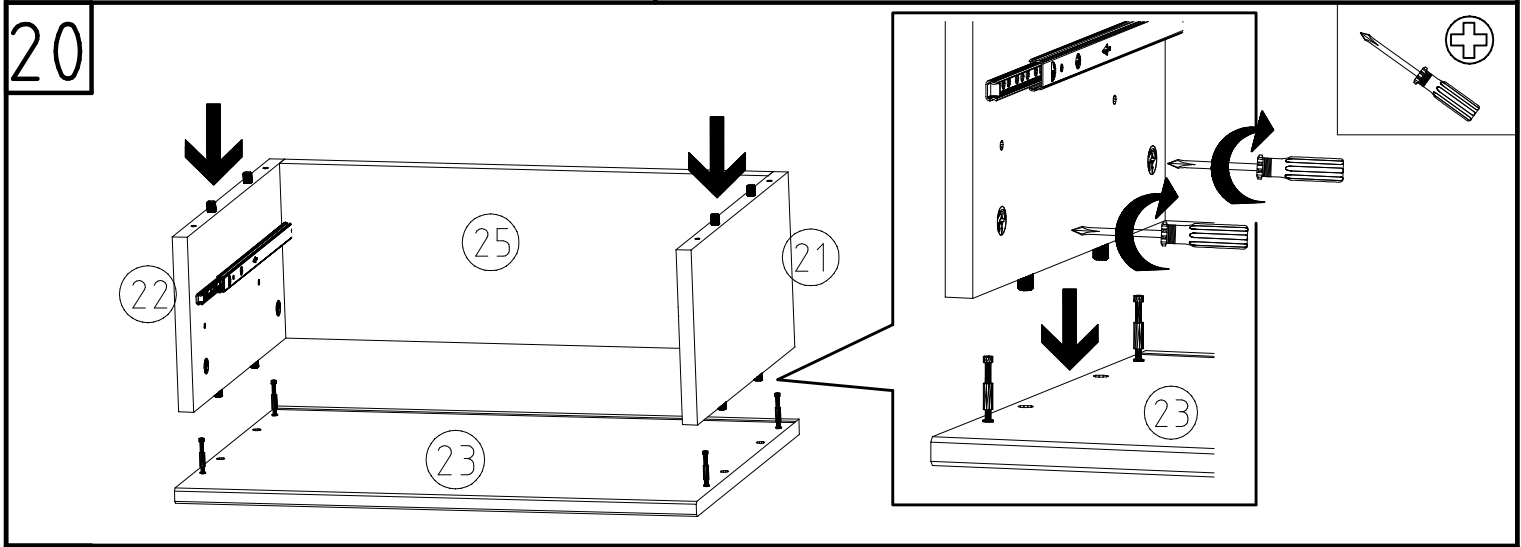
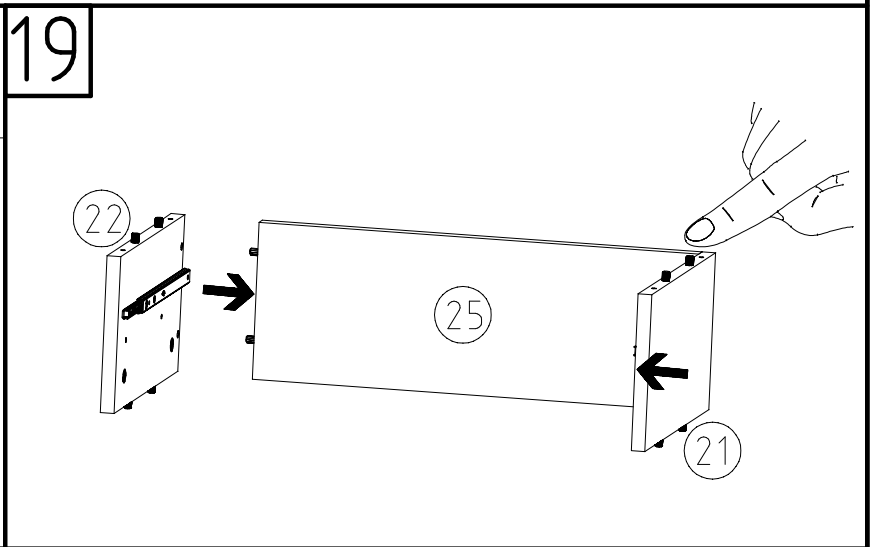
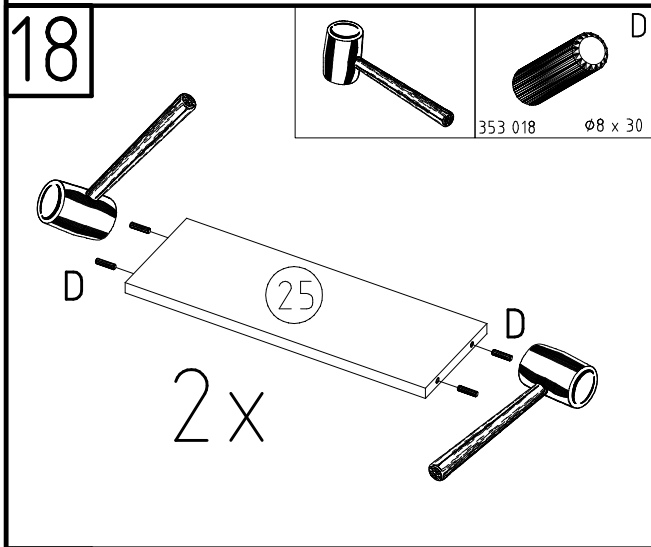
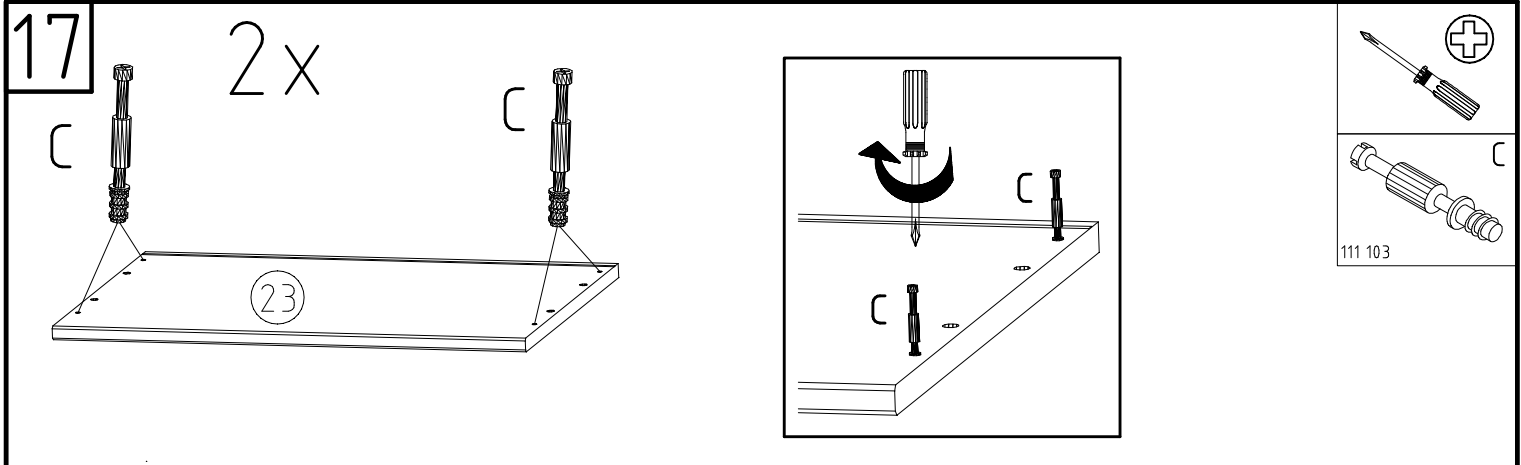
16



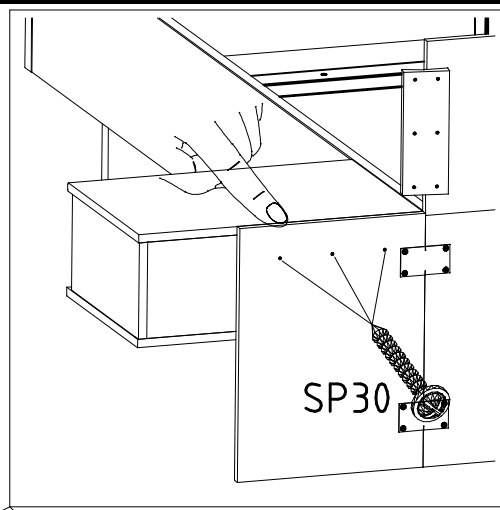
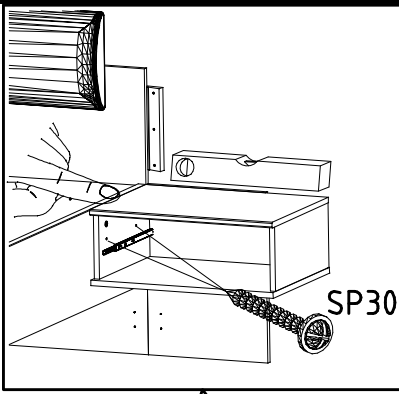
Z

LEIM  
LEIM  
LEIM  
LEIM

163 007



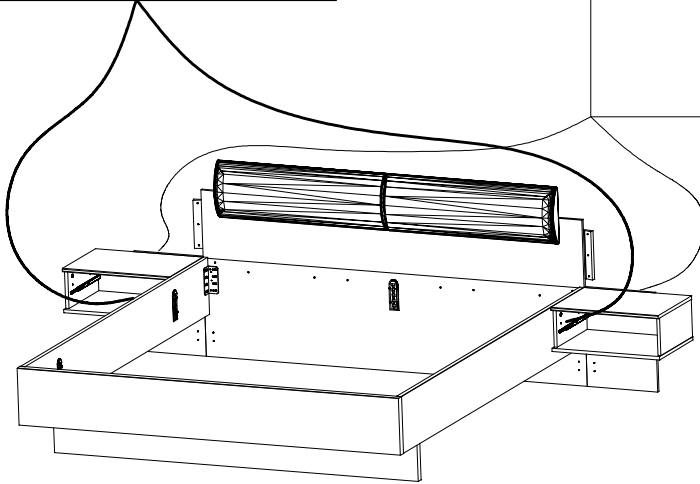
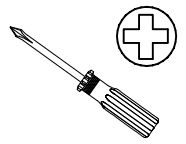
22



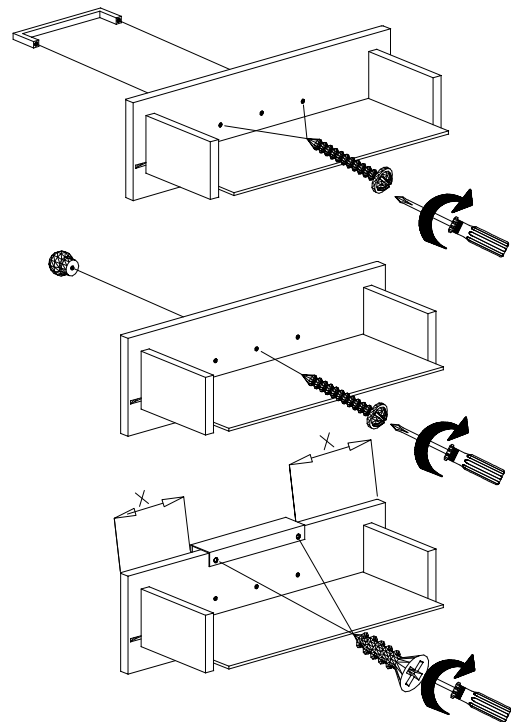
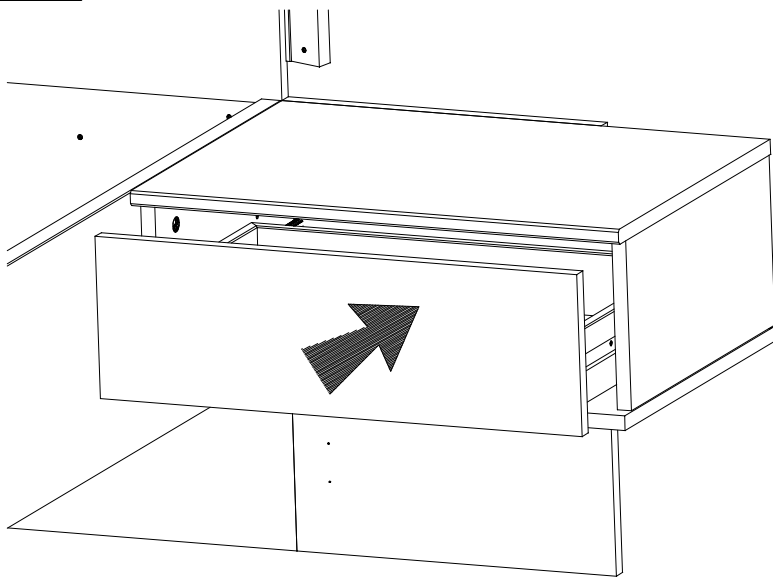
4 X 30 mm SP30



121 128



23

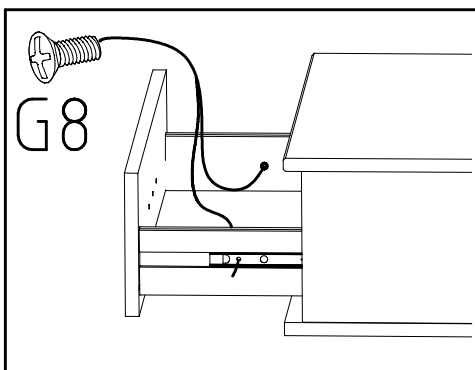


M4 x 9 mm

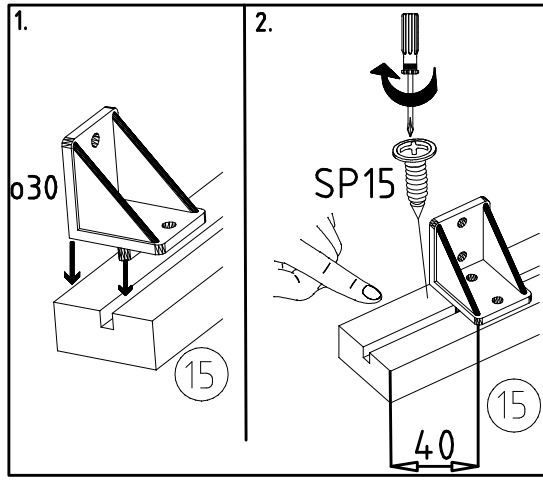
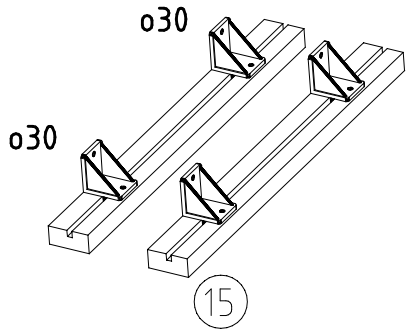
G8



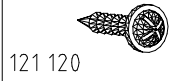
111 015



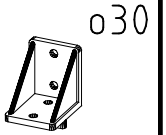
24



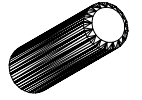
SP15  
4 X 15mm



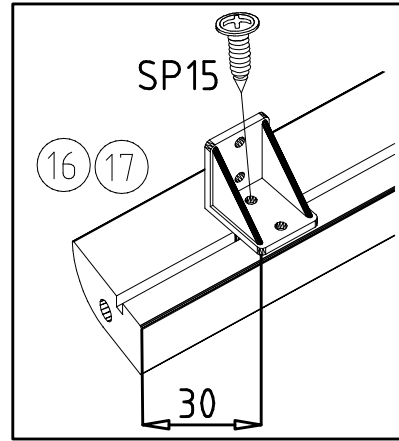
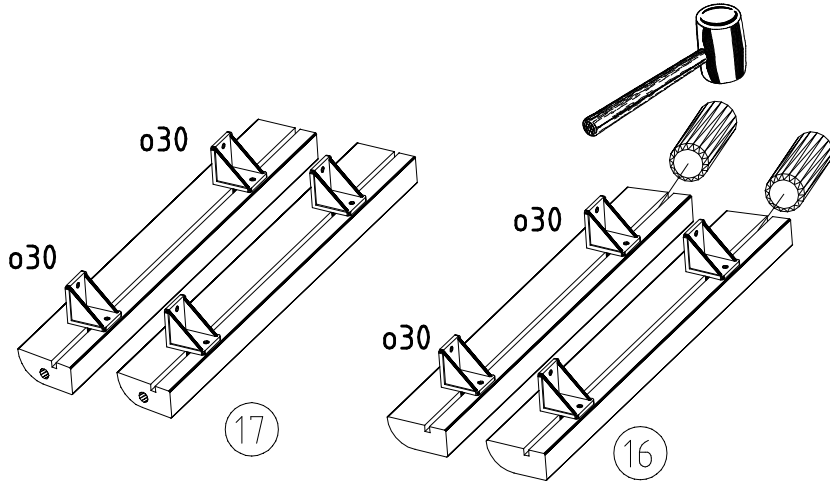
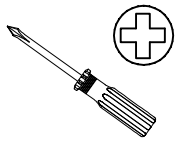
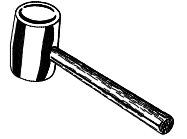
121 120



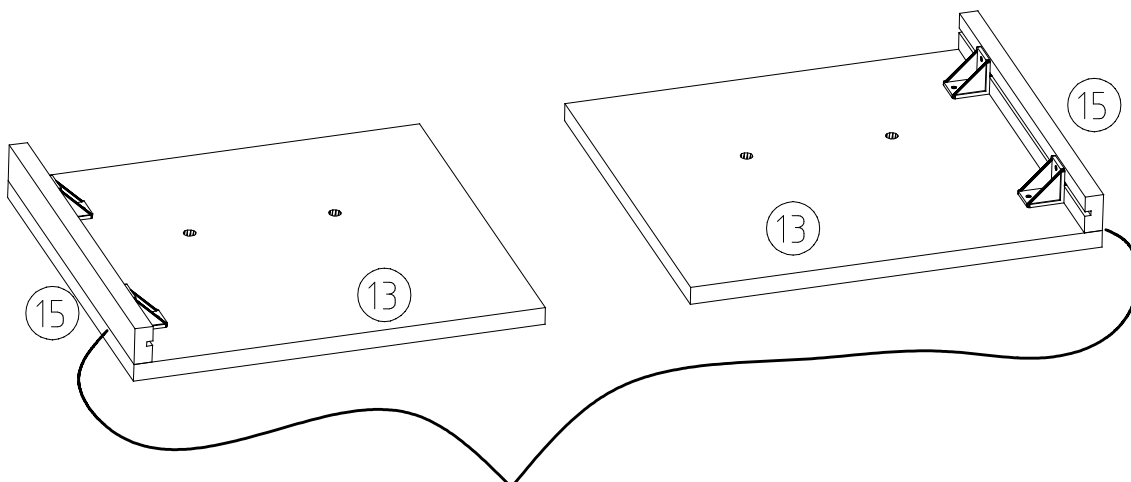
111 154



353 018     $\phi 8 \times 30$



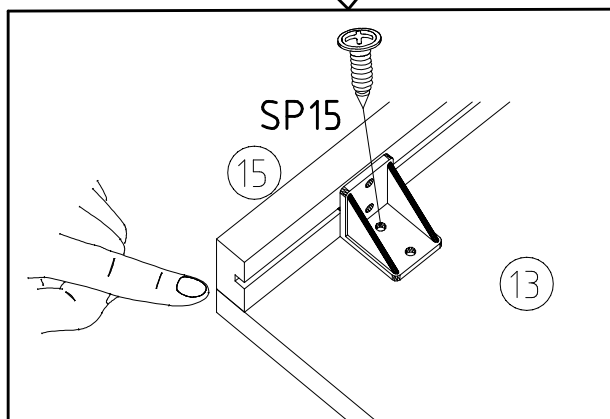
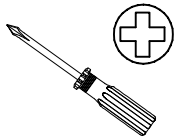
25



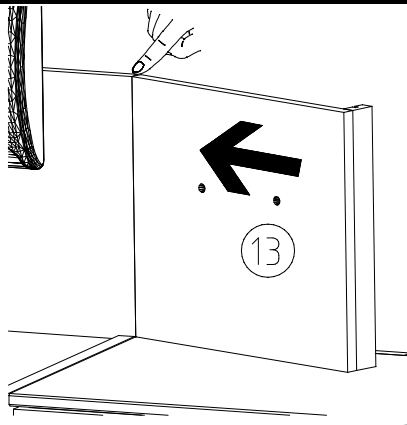
SP15  
4 X 15mm



121 120

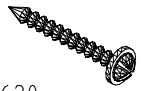


26

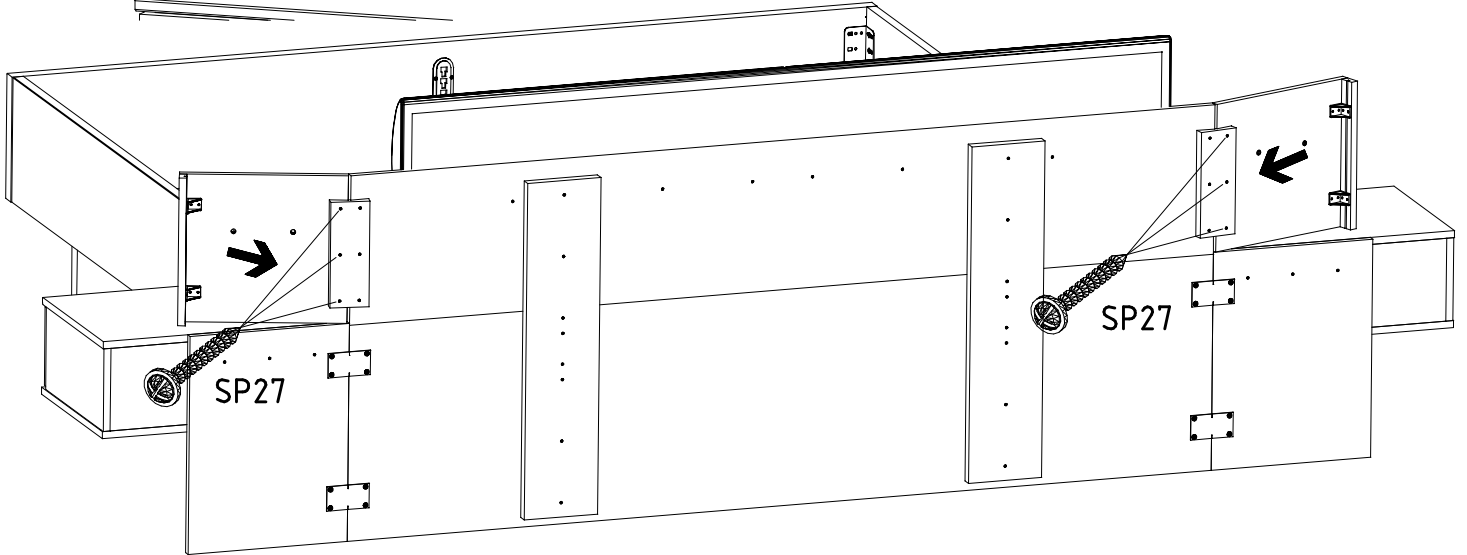
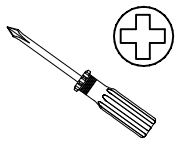


13

4 X 27 mm SP27



122620

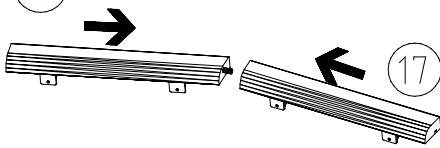


SP27

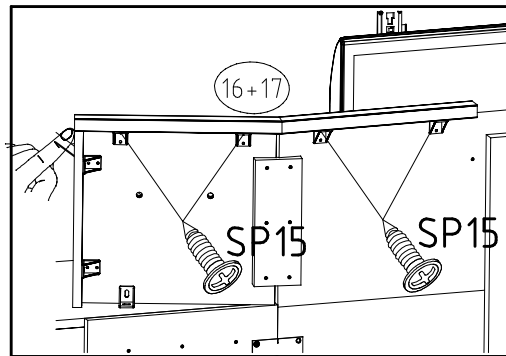
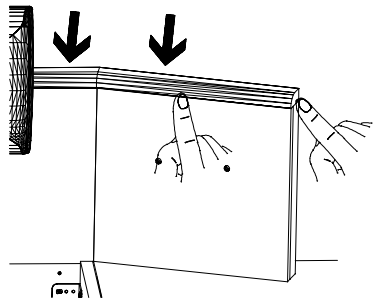
SP27

27

16



17

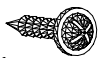


16+17

SP15

SP15

SP15  
4 X 15mm

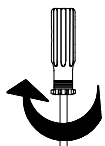
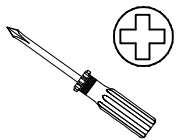


121 120

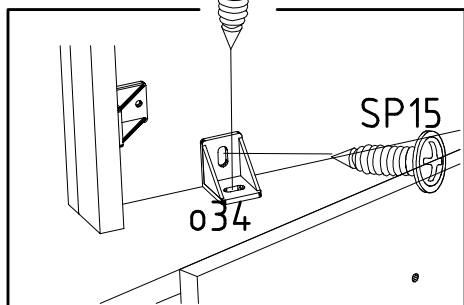
o34



111 011



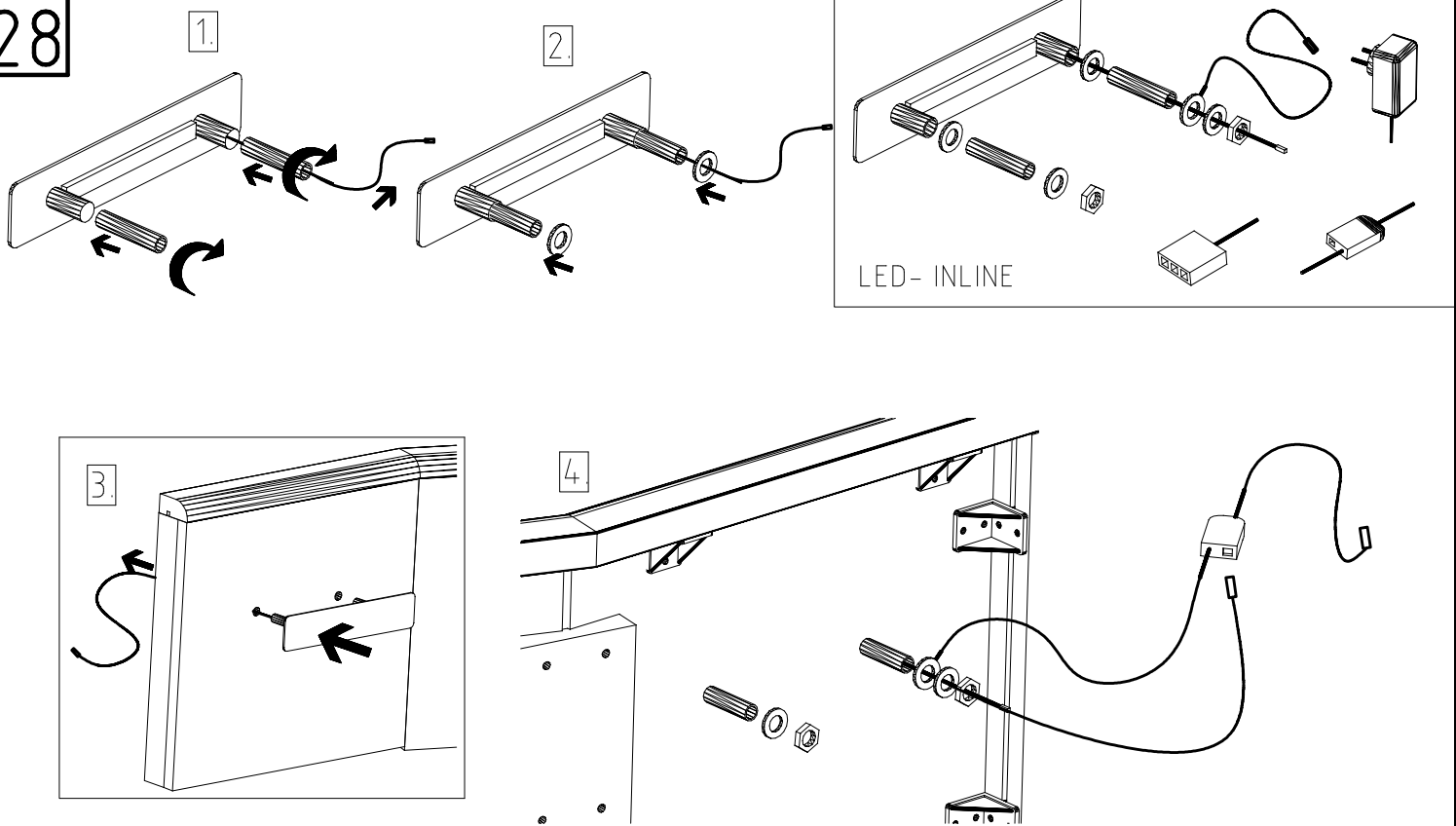
SP15



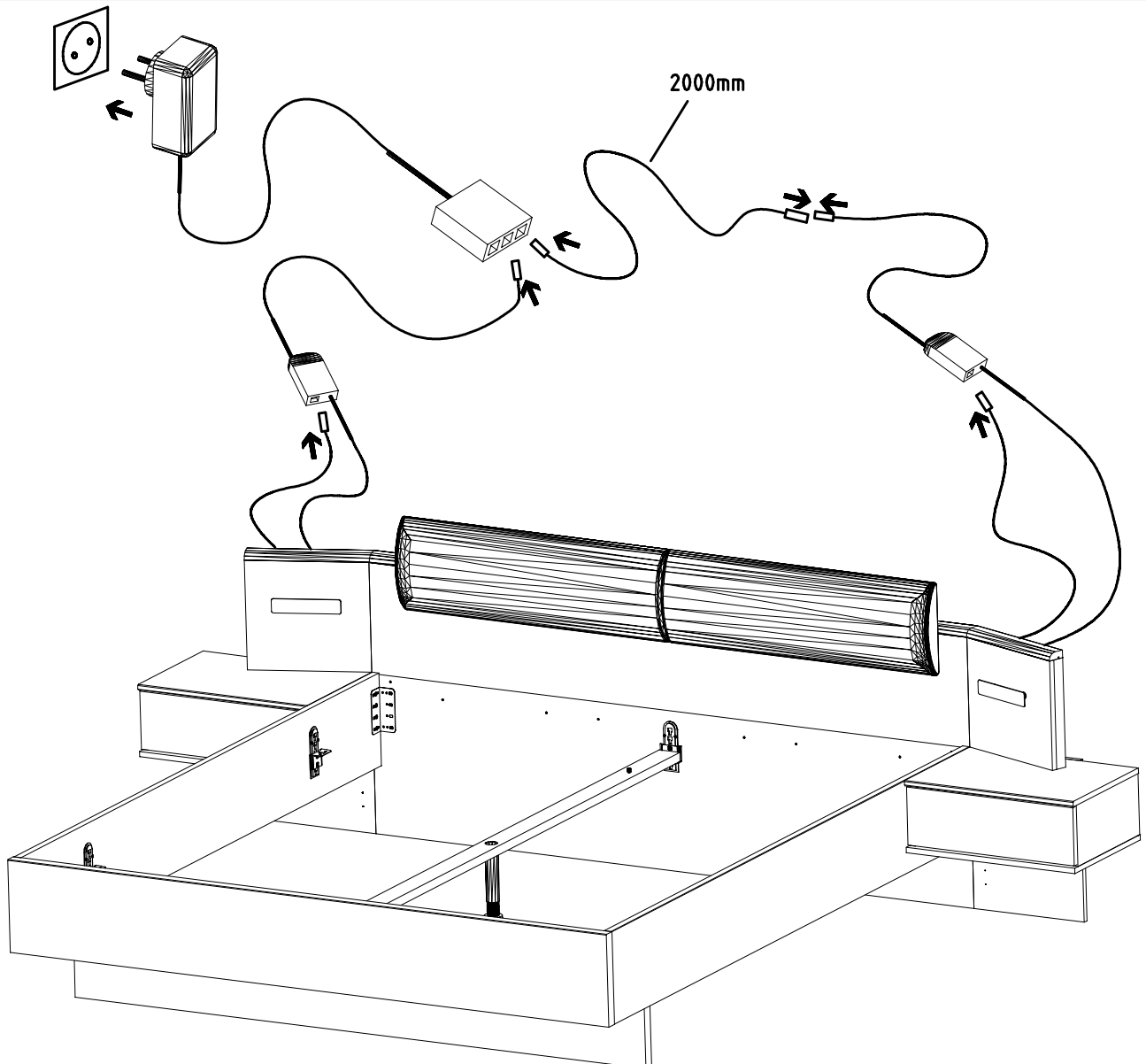
o34

SP15

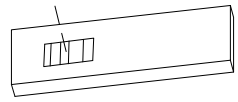
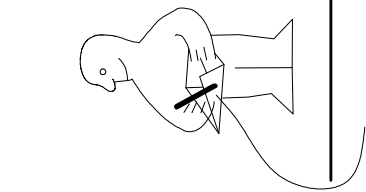
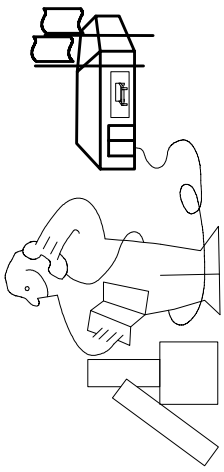
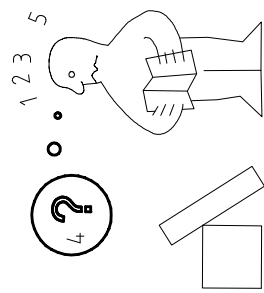
28



29





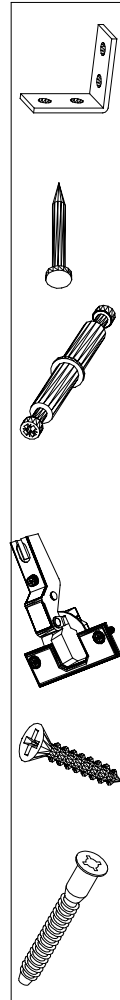
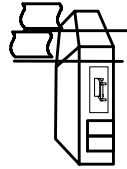
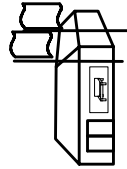
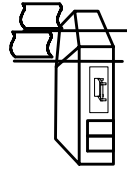
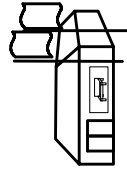
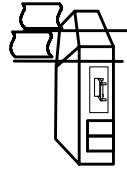


Modell/Model/Modèle

--	--	--	--	--	--



--	--	--	--	--	--



(121 370)	( G 1 )	(4x)

Änderungen die dem Technischen Fortschritt geschuldet sind behalten wir uns vor!  
 Bei nicht vorschriftsmäßiger und/ oder nicht fachmännischer Montage wird bei Personen- und/ oder Sachschäden keinerlei Haftung übernommen.

WIMEX Wohnbedarf Import Export Handels GmbH & CoKG / Postfach 1407/ 49112 Georgsmarienhütte/ Germany  
 Tel.:(+49) 05401 8598 0 Fax: (+49) 05401 8598 33 Mail: service\_H@wimex-online.com

104	104-NE / 104P-NO.	104-NE / 104P-NO.	104-NE / 104P-NO.	104
	<b>23203</b>	<b>30110XY</b>		
	Kunde / Customer / Client <b>MAX MUSTERMANN</b>			
	Kommission / your order reference / votre reference <b>3377 MINDEN</b>			
	Dekor / Decor / Decor / Modell / Model / Modele <b>F99</b>			
	F99842 SCHWEBETUERENSCHRANK 250 CM H 216CM PLANKENEICHE NB + RAU STEEL PLANKENEICHE NACHBILDUNG			
	Paket / Package / Paquet <b>414760</b> SOCKEL			
	Paket 1 von 8		Colli Kommission 10	
	HSP-SMT BOD 50 TEXT/TEX SOCKEL 32 FRESH TV / LT SO-BOD TEXT RASTEX / ZWBOD D18MM 4X KLSTA 104			
	Montage - Anleitung <b>KS-64</b>		Laenge ..... 520,0 Breite ..... 568,0	
	<b>SOCKEL32 KLEB</b>			



OBEREN / 5 / 30/19 / HAUT / 23.08.19 / OBEREN / 1 / 1 / ABOVE / OBEREN

**SAMPLE**



<b>WIMEX Wohnbedarf</b>	
Import Export Handelsges mbH & Co. KG	
Werner-von-Siemens-Str. 35	
D-49124 Georgsmarienhütte - Germany	
<b>SAMPLE</b>	<b>23.08.19</b>
Modellname Model	Produktionsdatum Date of manufacture

