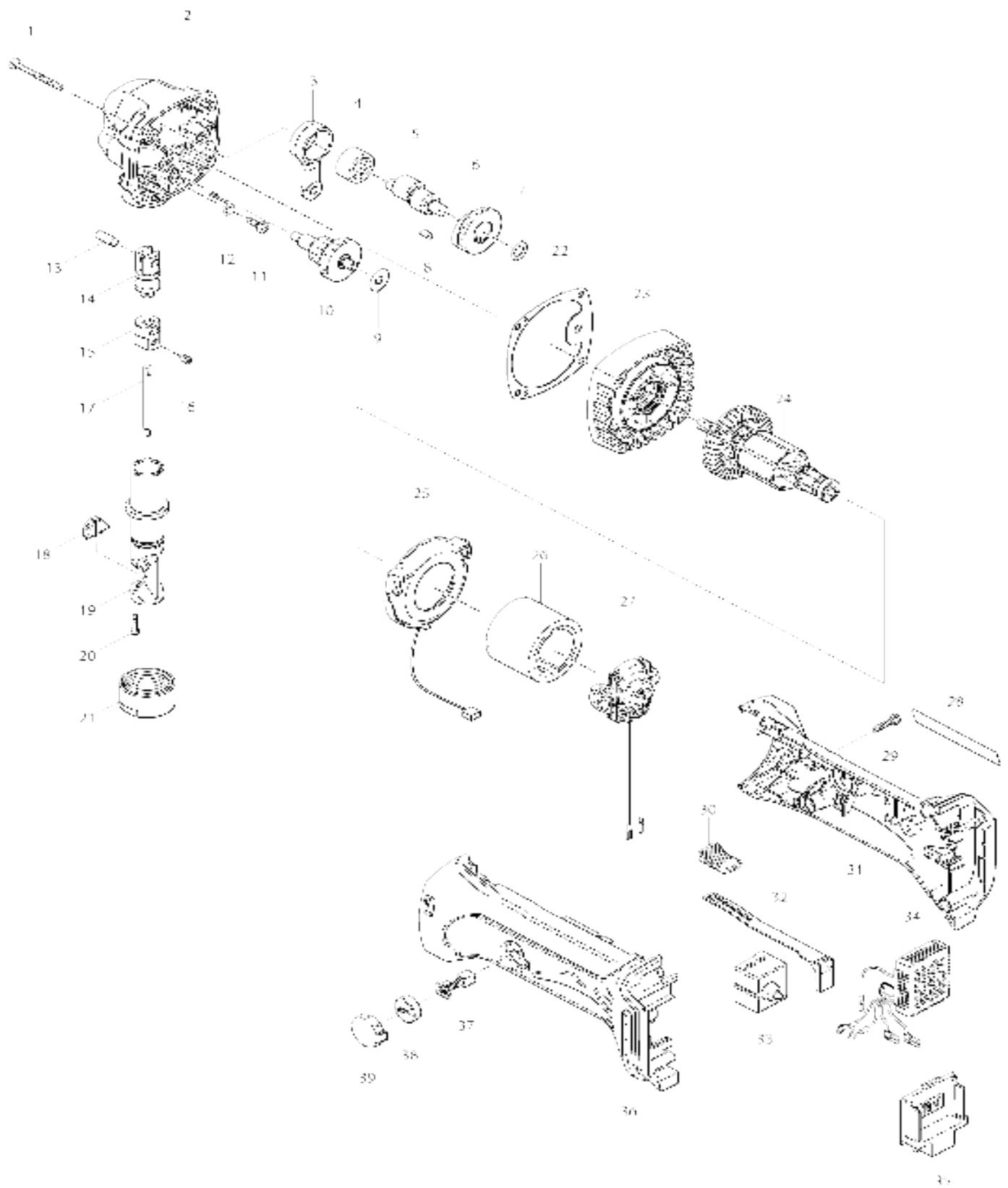


Model No.DJN161 1.6MM CORDLESS NIBBLER



Model No.DJN161 1.6MM CORDLESS NIBBLER

Item No.	Parts No.	Description	Interchangability	Q'ty	New/Old	Note1	Note2
001	266048-4	TAPPING SCREW 4X40		4			
002	141878-3	GEAR HOUSING COMPLETE		1			
C10	800P78-7	INDICATION LABEL		1			
003	331438-1	ROD		1			
004	212222-2	NEEDLE BEARING 1612		1			
005	326249-7	CRANK SHAFT		1			
006	227314-4	SPUR GEAR 31		1			
007	253215-0	FLAT WASHER 8		1			
008	254002-0	WOODRUFF KEY 3		1			
009	267133-6	FLAT WASHER 6		1			
010	226158-9	GEAR COMPLETE 16-36		1			
011	266026-4	TAPPING SCREW BIND CT 4X12		1			
012	344116-4	STOPPER		1			
013	256111-1	PIN 6		1			
014	322703-9	RAM		1			
015	322702-1	PUNCH HOLDER		1			
016	265880-3	H.S.SET SCREW(CONE POINT)M5 X8		1			
017	A-83951	PUNCH		1	*		
017-1	A-83951	PUNCH	O	1			
018	A-15051	DIE		1	*		
018-1	A-15051	DIE	O	1			
019	322701-3	DIE HOLDER		1			
020	266080-8	HEX. SOCKET HEAD BOLT M3X12		2			
021	322748-7	LOCK NUT		1			
022	442191-5	GASKET		1			
023	141877-5	GEAR HOUSING COVER COMPLETE		1			
C10	213961-7	O RING 22		1			
024	619312-6	ARMATURE		1			
025	631714-6	LED CIRCUIT		1			
026	638627-2	YOKE UNIT		1			
027	632A66-4	ENDBELL COMPLETE		1			
C10	688172-7	LINE FILTER		1	*		
028	815T00-5	DJN161 NAME PLATE		1			
029	265995-6	TAPPING SCREW 4X18		5	*		
029-1	266326-2	TAPPING SCREW 4X18	O	5			
030	419566-3	SWITCH KNOB		1			
031	187839-9	HOUSING SET		1			
C10	263005-3	RUBBER PIN 6		2			
031		INC. 36					
032	419519-2	SWITCH LEVER		1			
033	650579-7	SWITCH 1246.3223		1	*		
033-1	650579-7	SWITCH 1246.3223	O	1			
034	620243-4	CONTROLLER		1			
035	644808-8	TERMINAL		1			
036	187839-9	HOUSING SET		1			
C10	263005-3	RUBBER PIN 6		2			

036		INC. 31				
037	191971-3	CARBON BRUSH CB-430		1		
038	643929-3	BRUSH HOLDER CAP		2		
039	419518-4	HOLDER CAP COVER		2		
A01	781028-4	WRENCH 32		1		
A02	783208-8	HEX. WRENCH 2.5		1		
A03	***DC18RC	DC18RC FAST CHARGER		1		
A04	194204-5	BATTERY BL1830 SET		2	*	
A04	196235-0	BATTERY BL1815N SET		1	*	
A04	196399-0	BATTERY BL1840 SET		2	*	
A04-1	194204-5	BATTERY BL1830 SET	O	2	*	
A04-1	196235-0	BATTERY BL1815N SET	O	1		
A04-1	196399-0	BATTERY BL1840 SET	O	2	*	
A04-2	197600-6	BATTERY BL1830B SET	<	2	*	
A04-2	197265-4	BATTERY BL1840B SET	<	2	*	
A04-2	197280-8	BATTERY BL1850B SET		2	*	
A04-3	197600-6	BATTERY BL1830B SET	O	2		
A04-3	197265-4	BATTERY BL1840B SET	O	2		
A04-3	197280-8	BATTERY BL1850B SET	O	2		
A05	450128-8	BATTERY COVER		1		
A06	142004-7	PLASTIC CARRYING CASE		1		
C10	162315-4	LATCH		2		
A06	821551-8	CONNECTOR PLASTIC CASE (TYP E3)		1		
C10	453974-8	LATCH		4		
A07	804B10-9	DJN161RFE PLASTIC CASE LABEL		2		
A07	837678-4	INNER TRAY		1		
A08	804B14-1	DJN161RFJ INDICATION LABEL		1		
A08	804B12-5	DJN161ZJ INDICATION LABEL		1		
A08	804B25-6	DJN161Y1J INDICATION LABEL		1		
A08	804B67-0	DJN161RMJ INDICATION LABEL		1		
A08	809C01-1	DJN161RTJ INDICATION LABEL		1		
A09	804B15-9	DJN161RFJ PLASTIC CASE LABEL		2		
A09	804B13-3	DJN161ZJ PLASTIC CASE LABEL		2		
A09	804B66-2	DJN161Y1J PLASTIC CASE LABEL		2		
A09	804B68-8	DJN161RMJ PLASTIC CASE LABEL		2		
A09	809C02-9	DJN161RTJ PLASTIC CASE LABEL		2		
F06-3	197606-4	BATTERY BL1830B SET (2PIECES)	O	1	*	
F07-3	197600-6	BATTERY BL1830B SET	O	1		
F08-4	197599-5	BATTERY BL1830B SET	O	1		
F09-2	196235-0	BATTERY BL1815N SET	O	1		
F10-1	196449-1	BATTERY BL1815N SET	O	1		
F11-2	196449-1	BATTERY BL1815N SET	O	1		

Please state Parts No. when your order.

Print Date 11/04/2024