

- Ⓛ D Gebrauchsanweisung
- Ⓛ NL Gebruiksrichtlijnen
- Ⓛ IT Istruzioni per l'uso
- Ⓛ CZ Pokyny k použití
- Ⓛ HU Használati útmutató
- Ⓛ PT Instruções de utilização
- Ⓛ SK Pokyny k použitiu

- Ⓛ GB Instructions for use
- Ⓛ FR Instructions d'utilisation
- Ⓛ PL Instrukcja obsługi
- Ⓛ ES Instrucciones de empleo
- Ⓛ RO Instrucțiuni de folosire
- Ⓛ RU Инструкция по монтажу
- Ⓛ TR Kullanım talimatları

Please check that you have all the parts listed before you start assembling, if you do find that something is missing, do not continue assembly, please contact us immediately.

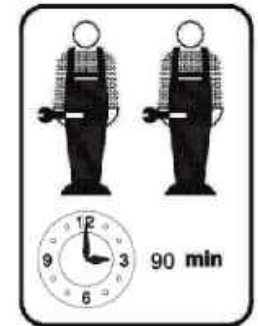
NOTE: Please do not completely tighten all the hardware until the entire assembly is complete!

Bitte überprüfen Sie, ob alle Teile mitgeliefert sind, bevor Sie mit der Montage beginnen. Wenn Sie festlegen, dass etwas fehlt, setzen Sie die Montage nicht fort. Bitte kontaktieren Sie uns sofort.

Achtung : Bitte ziehen Sie nicht alle Schrauben fest, bevor die Montage abgeschlossen ist !

This set will be shipped by 2 boxes and they may arrive on different days. If both packages arrived but parts missing, please contact customer service.

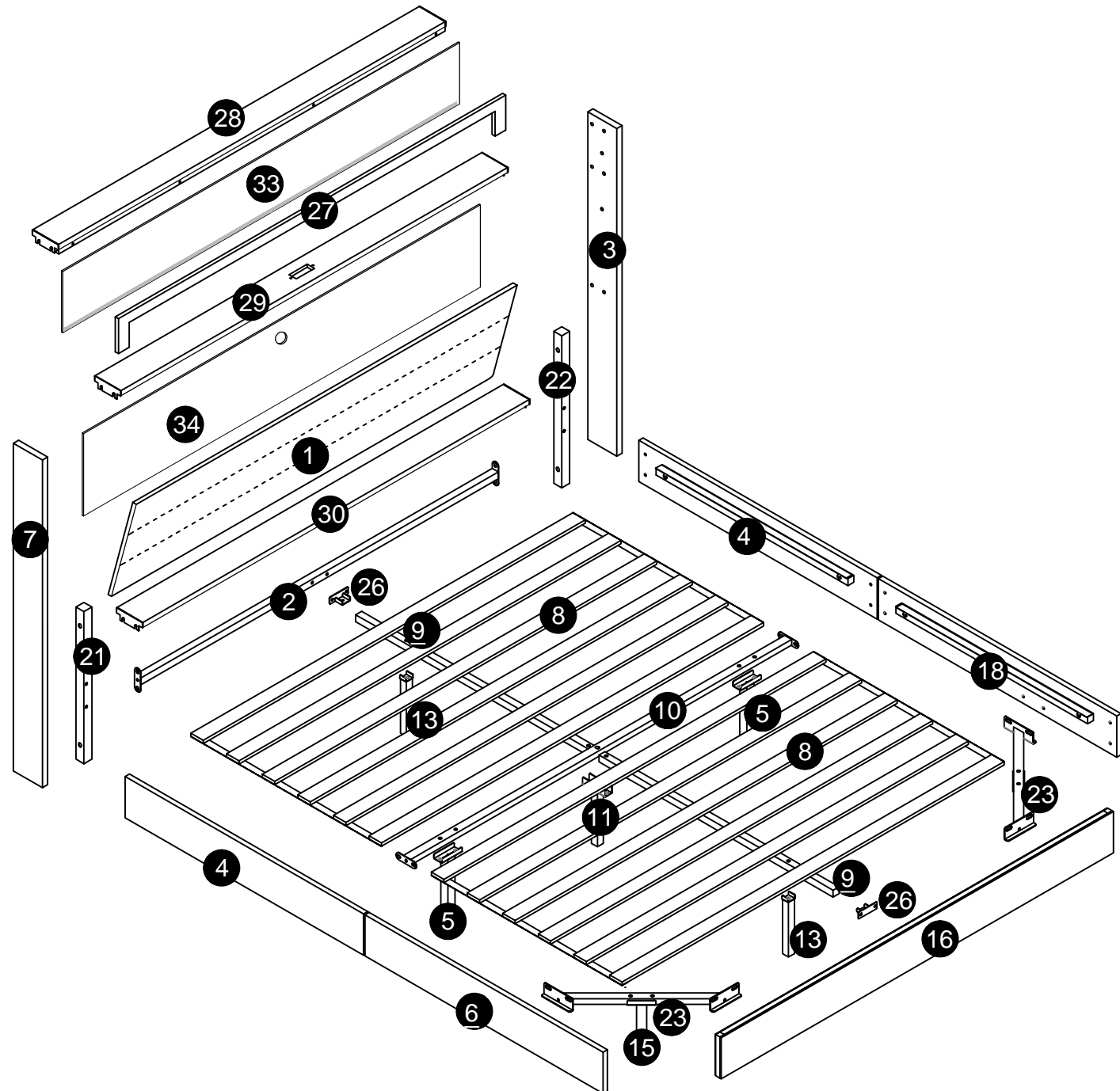
Dieses Set ist in 2 Boxen enthalten. Wenn Sie keine vollen 2 Boxen erhalten, wenden Sie sich bitte an unseren Kundenservice



WF321637/WF321639/N623P185826/N623P185827  
WF321638/WF321640/N623P185828/N623P185829



# Montageanleitung für Bettgestell



## English

### IMPORTANT ! KEEP FOR FUTURE REFERENCE : READ CAREFULLY

- To be assembled by an adult. Assembly must be checked by an adult before use
- WARNING ! Keep all screws, small parts and plastic bags out of the reach of children
- Properly identify all parts before assembling
- Never use your item if any of its parts are broken or missing
- Should any problems arise, please contact our After Sales Service
- Manufacturer's instructions shall be followed at all times
- Care: Clean with a soft, dry cloth. In case of larger stains, carefully rub with a slightly damp, non-abrasive sponge
- Avoid the risk of fire by not placing furniture near sources of ignition or hot items
- Do not jump on the bed

## Deutsch

### WICHTIG ! ZUM SPÄTEREN NACHSCHLAGEN AUFBEWAHREN: SORGFÄLTIG LESEN

- Muss von einem Erwachsenen zusammengebaut werden. Der Zusammenbau muss vor dem Gebrauch von einem Erwachsenen überprüft werden
- WARNUNG! Bewahren Sie alle Schrauben, Kleinteile und Plastikbeutel außerhalb der Reichweite von Kindern auf
- Kennzeichnen Sie vor dem Zusammenbau alle Teile richtig
- Benutzen Sie Ihren Artikel niemals, wenn Teile gebrochen sind oder fehlen
- Sollten Probleme auftreten, wenden Sie sich bitte an unseren Kundendienst
- Die Anweisungen des Herstellers sind stets zu befolgen
- Pflege: Mit einem weichen, trockenen Tuch reinigen. Bei größeren Flecken vorsichtig mit einem leicht feuchten, nicht scheuernden Schwamm abreiben. nicht scheuernden Schwamm
- Vermeiden Sie die Gefahr eines Brandes, indem Sie die Möbel nicht in der Nähe von Zündquellen oder heißen Gegenständen aufstellen
- Nicht auf das Bett springen

## Français

### IMPORTANT ! CONSERVER POUR RÉFÉRENCE ULTÉRIEURE : LIRE ATTENTIVEMENT

- Le montage doit être effectué par un adulte. Le montage doit être vérifié par un adulte avant Utilisation
- ATTENTION ! Tenir les vis, les petites pièces et les sachets en plastique hors de portée des enfants
- Identifiez correctement toutes les pièces avant de les assembler
- N'utilisez jamais votre article si l'une de ses pièces est cassée ou manquante
- En cas de problème, veuillez contacter notre service après-vente
- Les instructions du fabricant doivent être respectées à tout moment
- Entretien : nettoyer avec un chiffon doux et sec. En cas de taches plus importantes, frotter soigneusement avec une éponge non abrasive légèrement humide. légèrement humide et non Abrasive
- Évitez les risques d'incendie en ne plaçant pas les meubles à proximité de sources d'inflammation ou d'objets chauds
- Ne pas sauter sur le lit

## Italiano

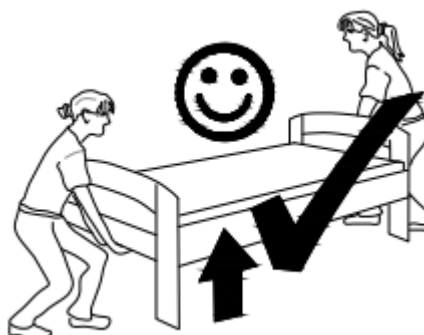
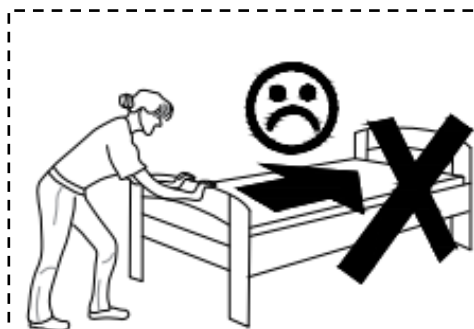
### IMPORTANTE! CONSERVARE PER RIFERIMENTO FUTURO: LEGGERE ATTENTAMENTE

- Deve essere assemblato da un adulto. L'assemblaggio deve essere controllato da un adulto prima dell'uso
- **ATTENZIONE!** Tenere tutte le viti, le piccole parti e i sacchetti di plastica fuori dalla portata dei bambini
- Identificare correttamente tutte le parti prima dell'assemblaggio
- Non utilizzare mai l'articolo se alcune parti sono rotte o mancanti
- In caso di problemi, si prega di contattare il nostro Servizio Post Vendita
- Le istruzioni del produttore devono essere sempre seguite
- Cura: Pulire con un panno morbido e asciutto. In caso di macchie più estese, strofinare accuratamente con una spugna leggermente umida e nonspugna leggermente umida e non abrasiva
- Evitare il rischio di incendio, non collocando i mobili vicino a fonti di accensione o a oggetti caldi
- Non saltare sul letto

## Español

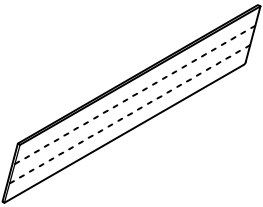
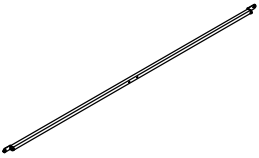
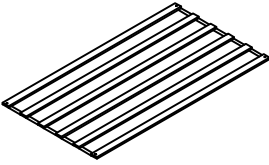
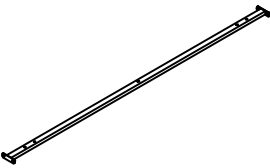
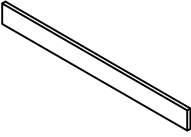
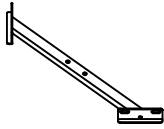
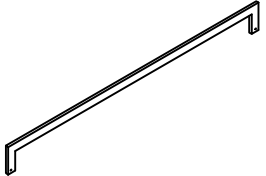
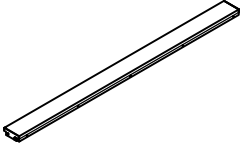
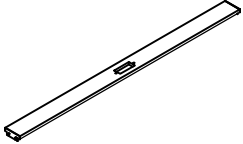
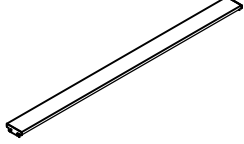
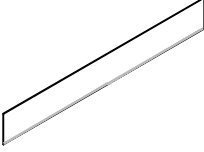
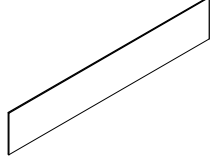
### ¡ IMPORTANTE ! CONSERVELO PARA FUTURAS CONSULTAS: LEA ATENTAMENTE

- Debe ser montado por un adulto. El montaje debe ser comprobado por un adulto antes del uso
- ADVERTENCIA Mantenga todos los tornillos, piezas pequeñas y bolsas de plástico fuera del alcance de los niños.
- Identifique correctamente todas las piezas antes de montarlas
  - Nunca utilice su artículo si alguna de sus piezas está rota o falta
  - Si surge algún problema, póngase en contacto con nuestro Servicio Postventa
  - Las instrucciones del fabricante deben seguirse en todo momento
  - Cuidado: Limpiar con un paño suave y seco. En caso de manchas más grandes, frote cuidadosamente con una esponja no abrasiva ligeramente humedecida.
  - Evite el riesgo de incendio no colocando los muebles cerca de fuentes de ignición u objetos calientes.
  - No saltar sobre la cama.




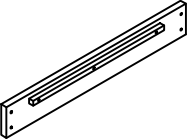

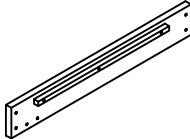

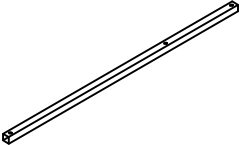
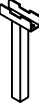
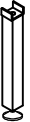

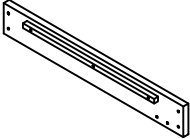
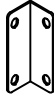
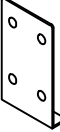



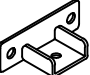


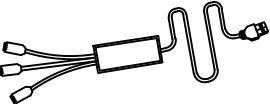
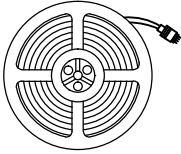
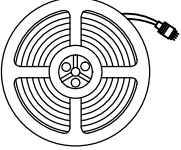
# Montageanleitung für Bettgestell

Part List-Stückliste SKU WF321637/N623P185826/WF321639/N623P185828

|   |   |   |   |   |   |   |
|---|---|---|---|---|---|---|
| <b>1</b> x1<br>  | <b>2</b> x1<br>  | <b>8</b> x2<br>  | <b>10</b> x1<br>  | <b>16</b> x1<br> | <b>23</b> x2<br> | <b>27</b> x1<br> |
| <b>28</b> x1<br> | <b>29</b> x1<br> | <b>30</b> x1<br> | <b>33</b> x1<br> | <b>34</b> x1<br> |   |   |
|   |   |   |   |   |   |   |

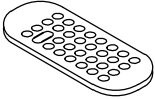
# Montageanleitung für Bettgestell

## Part List-Stückliste SKU WF321638/WF321640/N623P185827/N623P185829

|   |  |  |   |   |  |   |
|---|--|--|---|---|--|---|
| <p><b>3</b> x1</p>     | <p><b>4</b> x2</p>                | <p><b>5</b> x2</p>  <p>High</p> | <p><b>6</b> x1</p>     | <p><b>7</b> x1</p>                                     | <p><b>9</b> x2</p>    | <p><b>11</b> x1</p>    |
| <p><b>13</b> x2</p>    | <p><b>15</b> x2</p>  <p>Short</p> | <p><b>18</b> x1</p>             | <p><b>19</b> x4</p>    | <p><b>20</b> x2</p>                                    | <p><b>21</b> x1</p>   | <p><b>22</b> x1</p>    |
| <p><b>24</b> x2</p>  | <p><b>26</b> x2</p>             | <p><b>31</b> x1</p>           | <p><b>32</b> x1</p>  | <p><b>36</b> x1</p>  <p>Power cord<br/>Netzkabel</p> | <p><b>37</b> x1</p>  <p>Short light bar<br/>Kurzer Leuchtbalken</p> | <p><b>38</b> x2</p>  <p>Long light bar<br/>Lange Lichtleiste</p> |

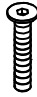

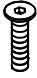

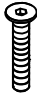
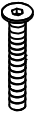

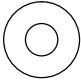
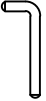
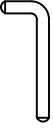
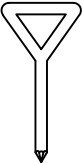

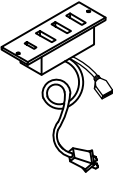
# Montageanleitung für Bettgestell

**Part List-Stückliste** SKU WF321638/WF321640/N623P185827/N623P185829

|  |  |  |  |  |  |  |
|--|--|--|--|--|--|--|
| <p>39 x1</p>  <p>Remote control<br/>Fernbedienung</p> | <p>40 x1</p>  |  |  |  |  |  |
|  |  |  |  |  |  |  |
|  |  |  |  |  |  |  |

# Montageanleitung für Bettgestell

Hardware Parts Hardware-Teile SKU WF321638/WF321640/N623P185827/N623P185829


|  |   |  |  |  |  |   |
|--|---|--|--|--|--|---|
| <p><b>A</b> x8</p>  <p>M6*30</p>  | <p><b>B</b> x9</p>  <p>M8*15</p> | <p><b>C</b> x36</p>  <p>M8*20</p> | <p><b>D</b> x34</p>  <p>M8*20</p> | <p><b>E</b> x30</p>  <p>M8*35</p> | <p><b>F</b> x11</p>  <p>M8*50</p> | <p><b>G</b> x3</p>  <p>M3*12</p> |
| <p><b>H</b> x9</p>  <p>M8*φ22</p> | <p><b>I</b> x1</p>  <p>M6</p>    | <p><b>J</b> x1</p>  <p>M8</p>     | <p><b>K</b> x1</p>                | <p><b>L</b> x2</p>                | <p><b>M</b> x1</p>                |   |
|  |   |  |  |  |  |   |

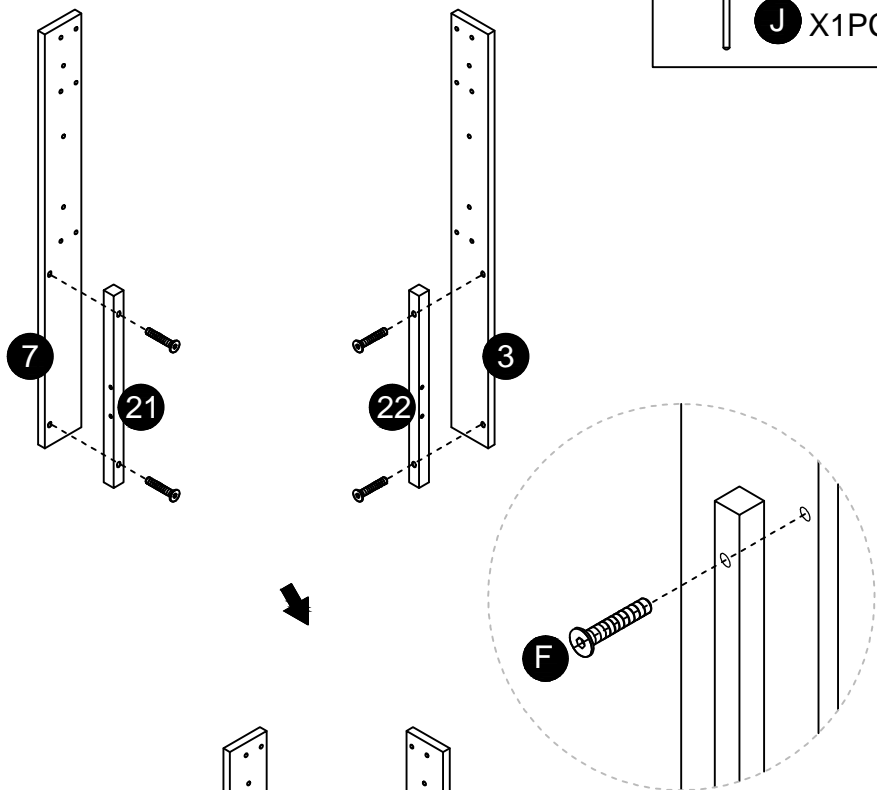


# Montageanleitung für Stauraum-Kopfteil

Step:1

 **F** X4PCS  
M8\*50

 **J** X1PCS



GB: When installing this holes face towards.  
DE: Bei der Montage sind diese Löcher nach vorne gerichtet.  
FR: Face à face lors de l'installation de ce trou.

Hole  
Loch



GB: When installing this holes face towards.  
DE: Bei der Montage sind diese Löcher nach vorne gerichtet.  
FR: Face à face lors de l'installation de ce trou.

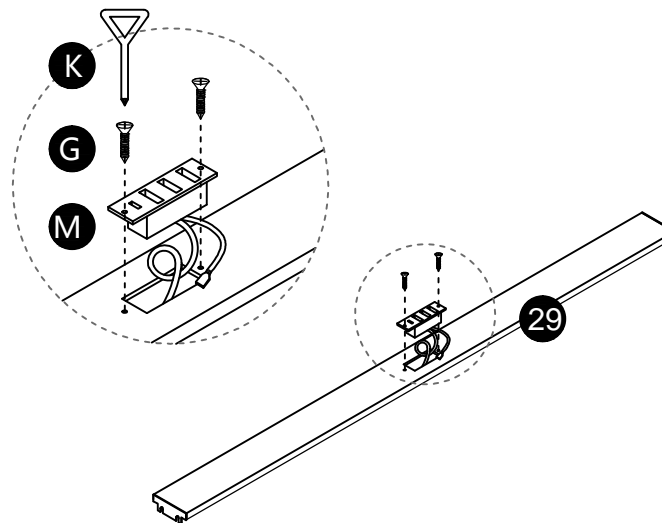


Step:2


 **G** X2PCS  
M3\*12

 **K** X1PCS

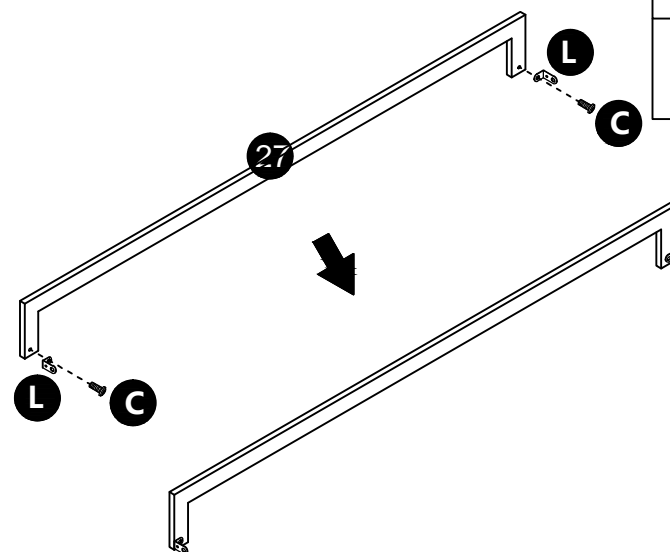
 **M** X1PCS



Step:3

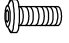
 **C** X2PCS  
M8\*20

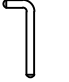
 **J** X1PCS

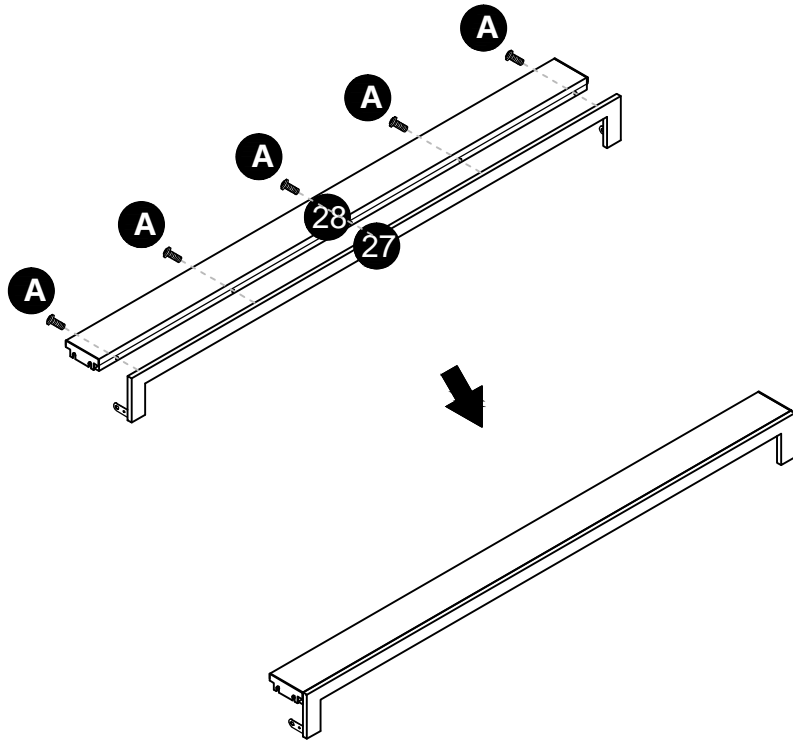


# Montageanleitung für Stauraum-Kopfteil

Step:4

 **A** X5PCS  
M6\*30

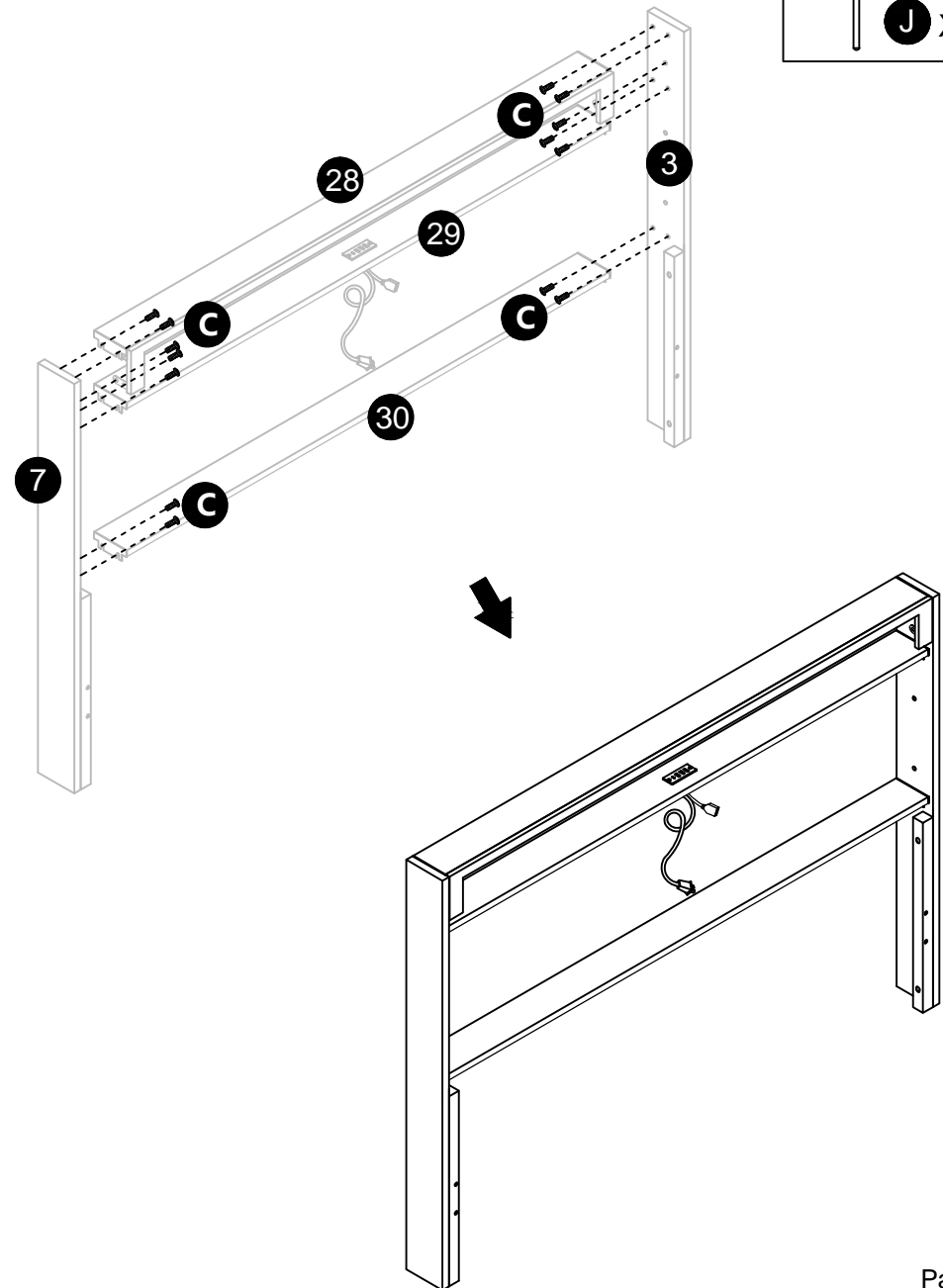
 **I** X1PCS



Step:5

 **C** X14PCS  
M8\*20


 **J** X1PCS

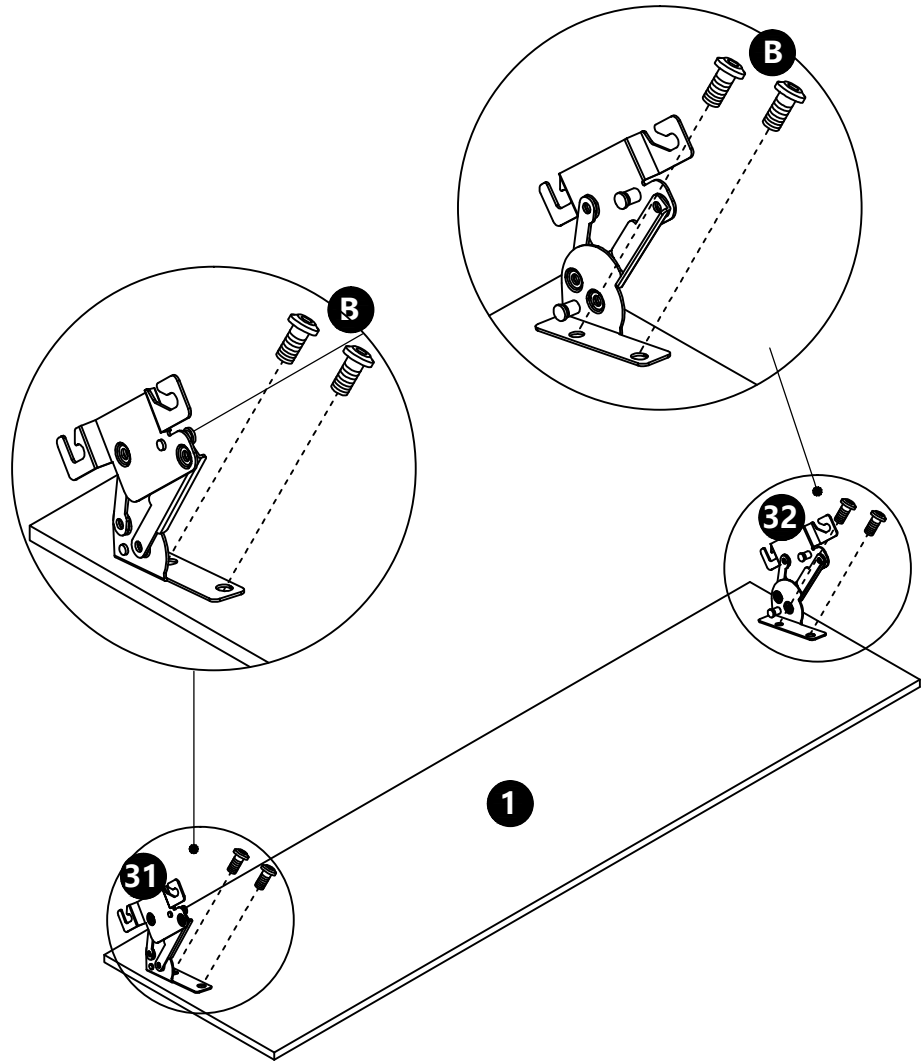


# Montageanleitung für Stauraum-Kopfteil

Step:6


 **B** X4PCS  
M8\*15

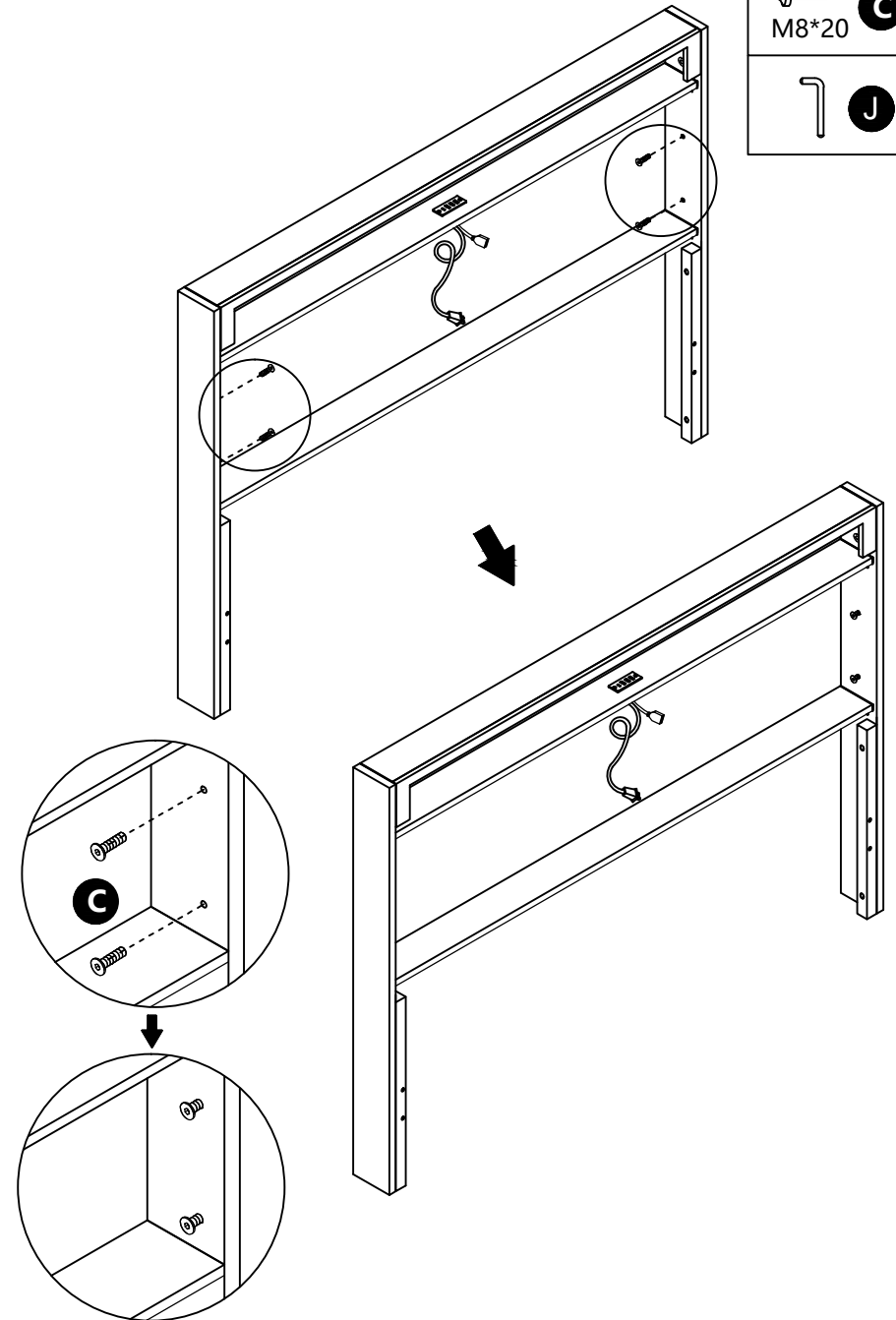
 **J** X1PCS



Step:7

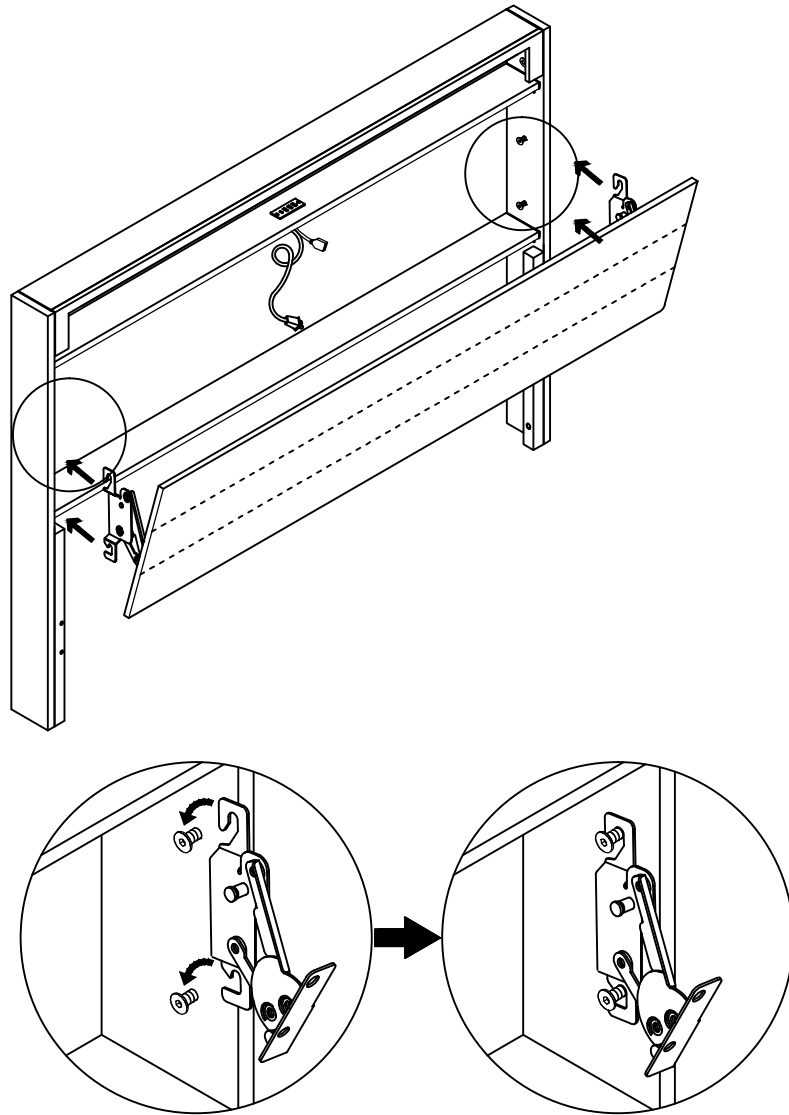
 **C** X4PCS  
M8\*20

 **J** X1PCS

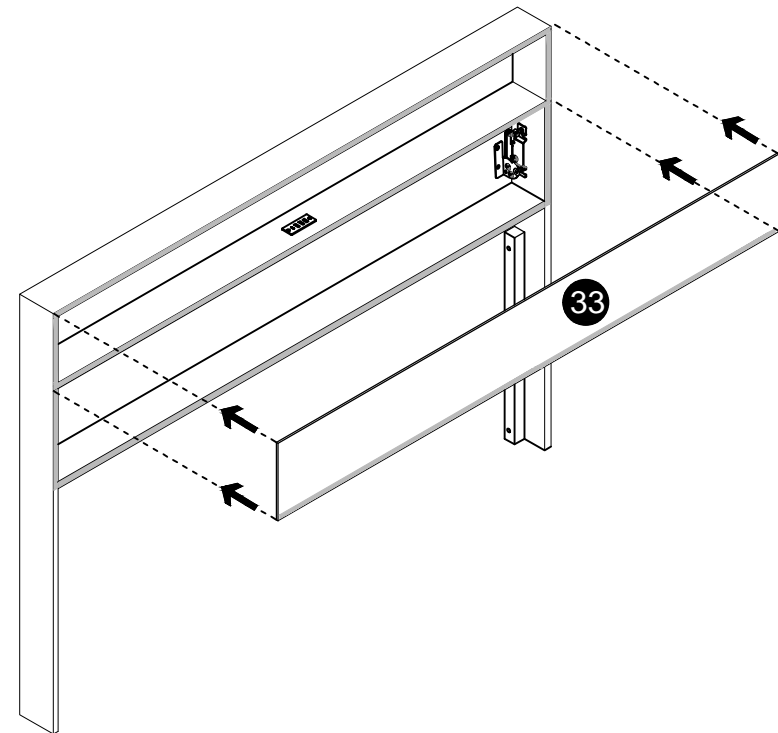


# Montageanleitung für Stauraum-Kopfteil

Step:8

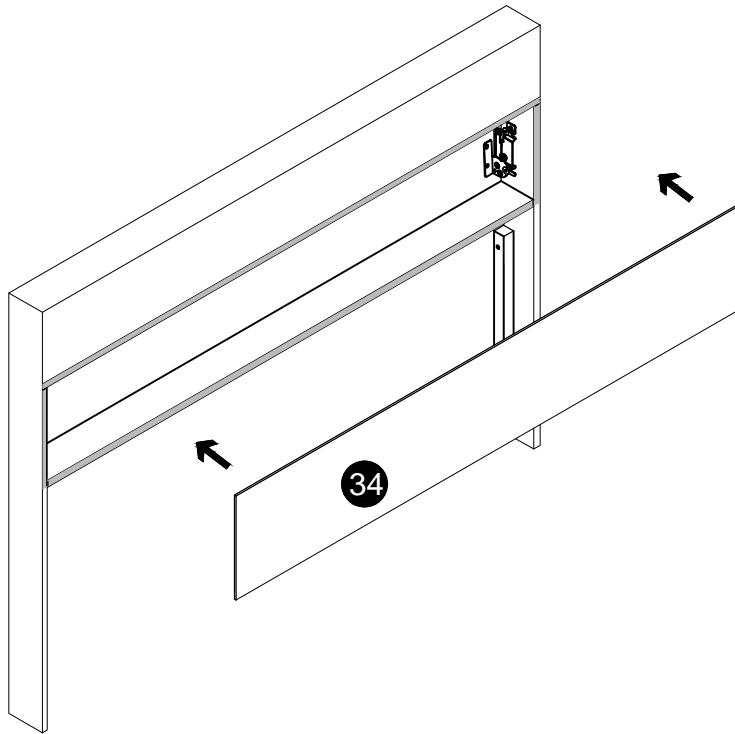


Step:9




# Montageanleitung für Stauraum-Kopfteil

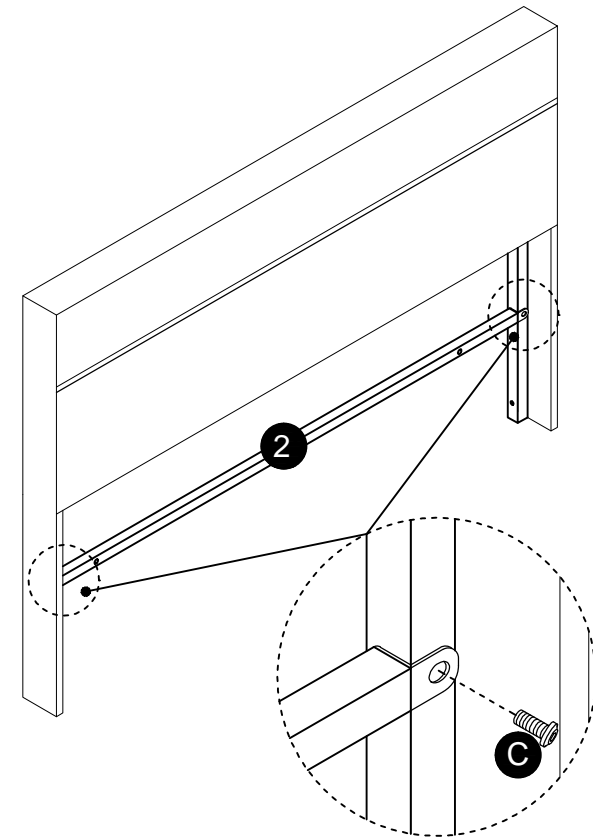
Step:10



Step:11

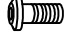
 M8\*20 **C** X2PCS

 **J** X1PCS

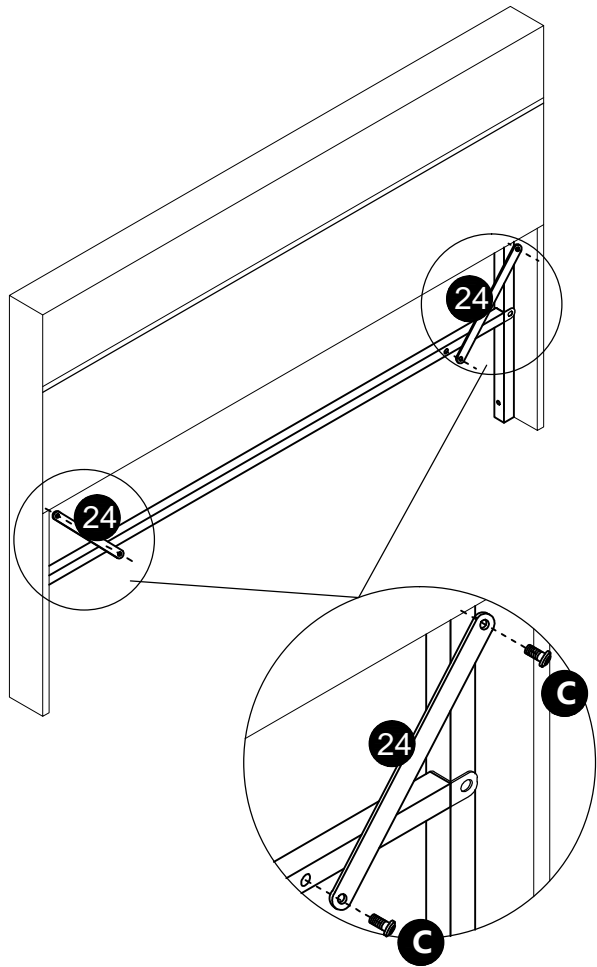


# Montageanleitung für Stauraum-Kopfteil

Step:12


 **G** X4PCS  
M8\*20

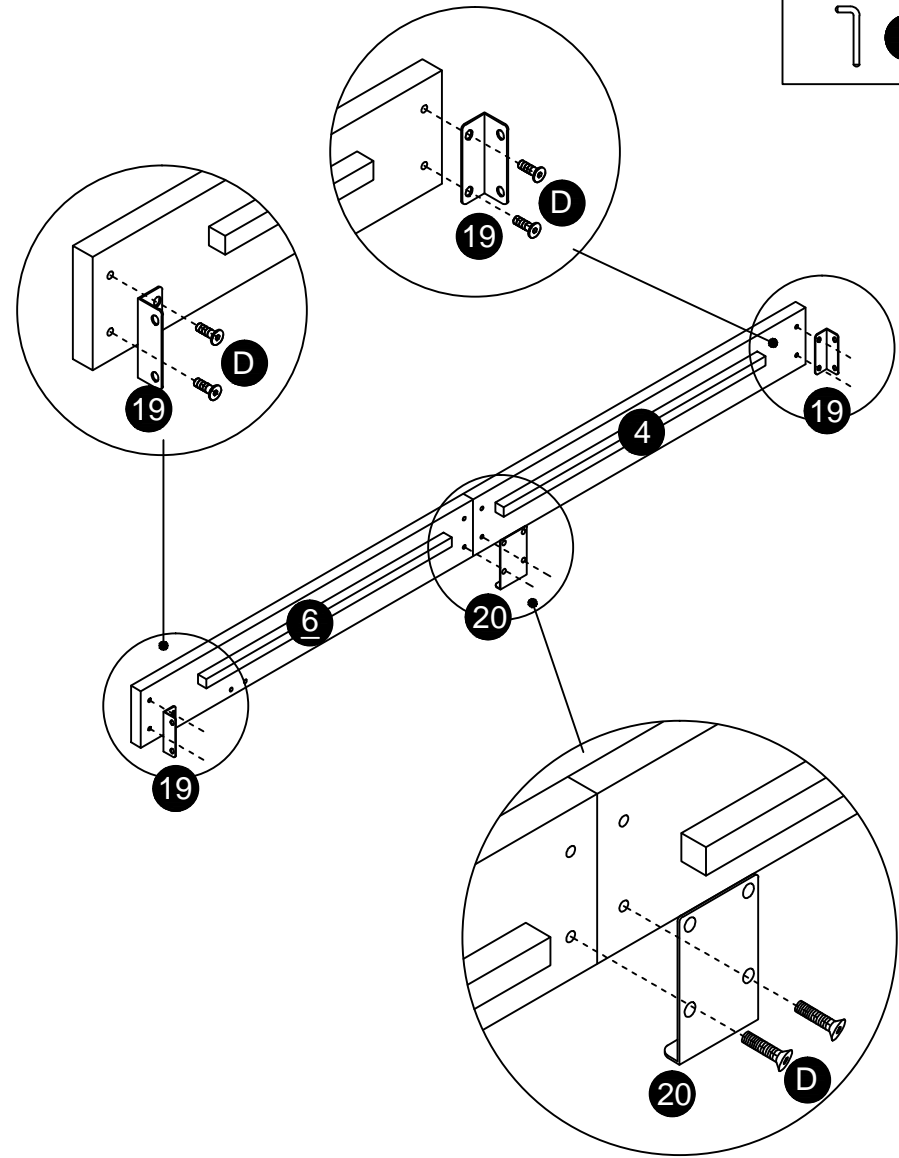
 **J** X1PCS



Step:13

 **D** X6PCS  
M8\*20


 **J** X1PCS

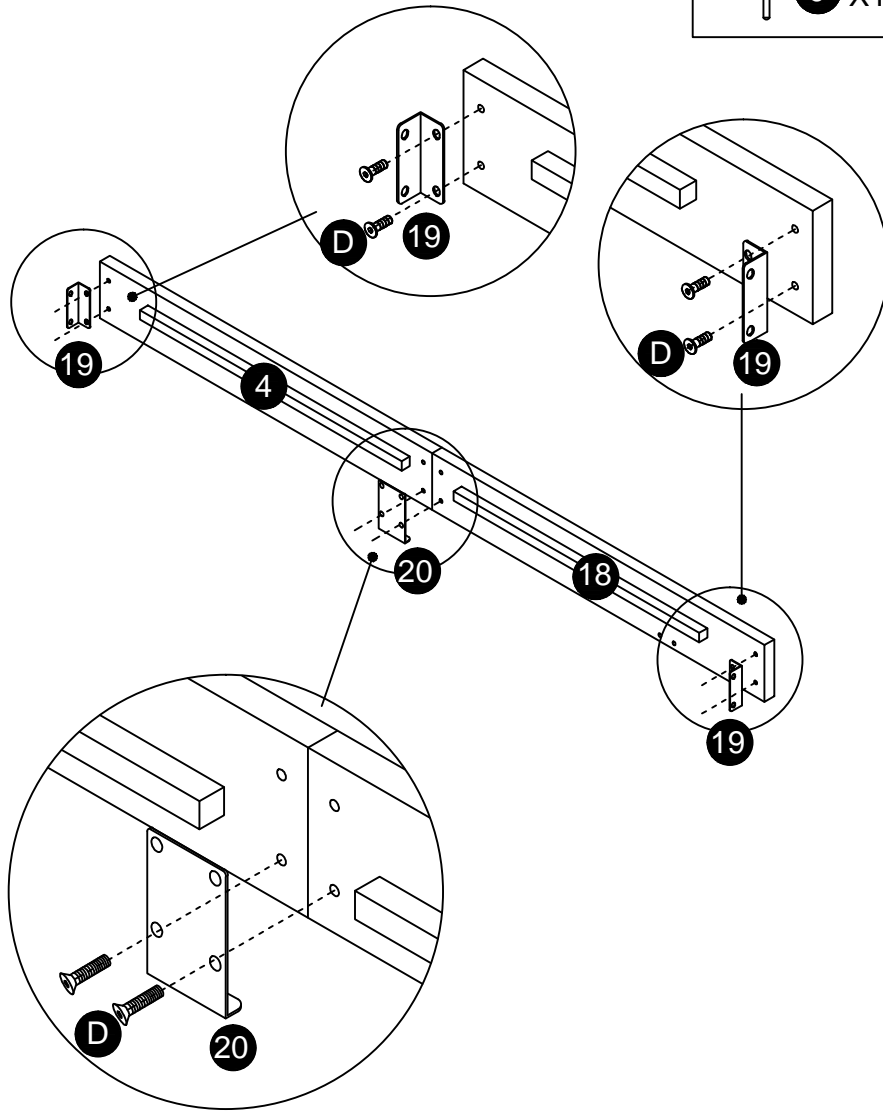


# Montageanleitung für Stauraum-Kopfteil

Step:14

 **D** X12PCS  
M8\*20

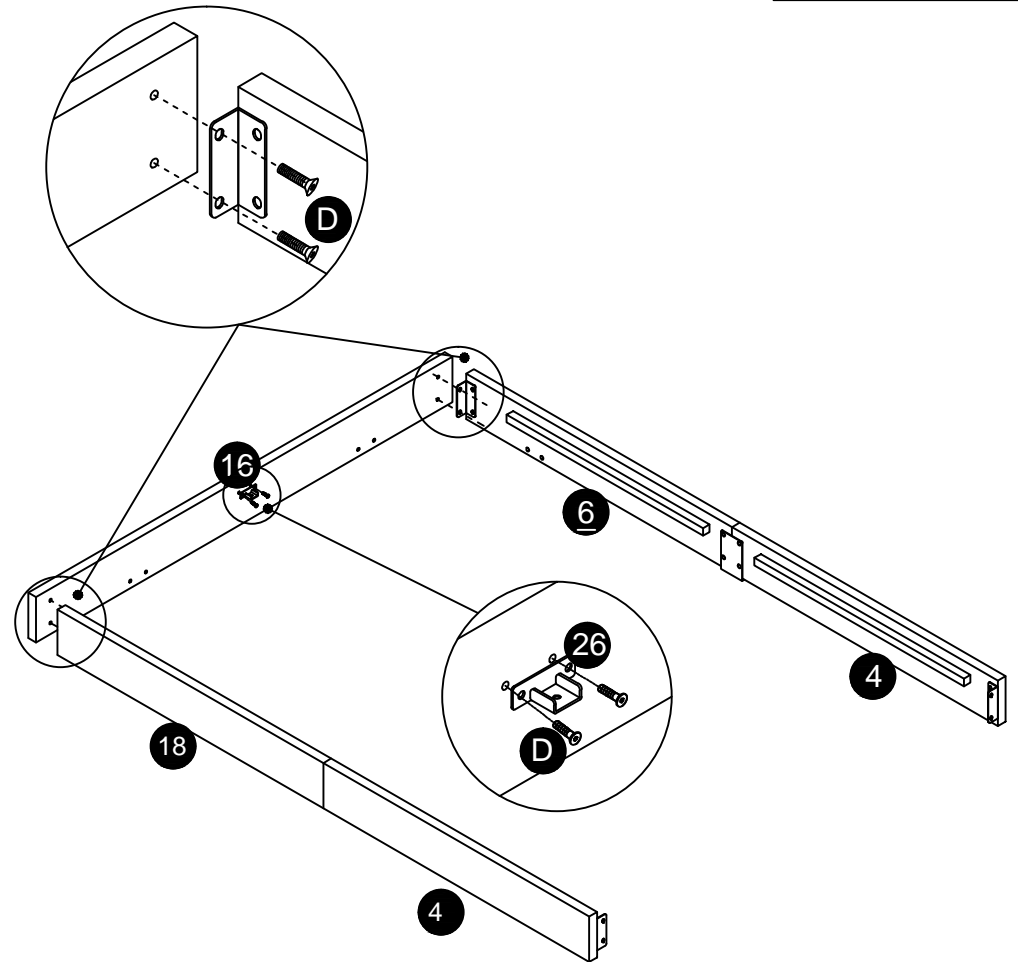
 **J** X1PCS



Step:15

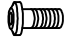
 **D** X6PCS  
M8\*20


 **J** X1PCS

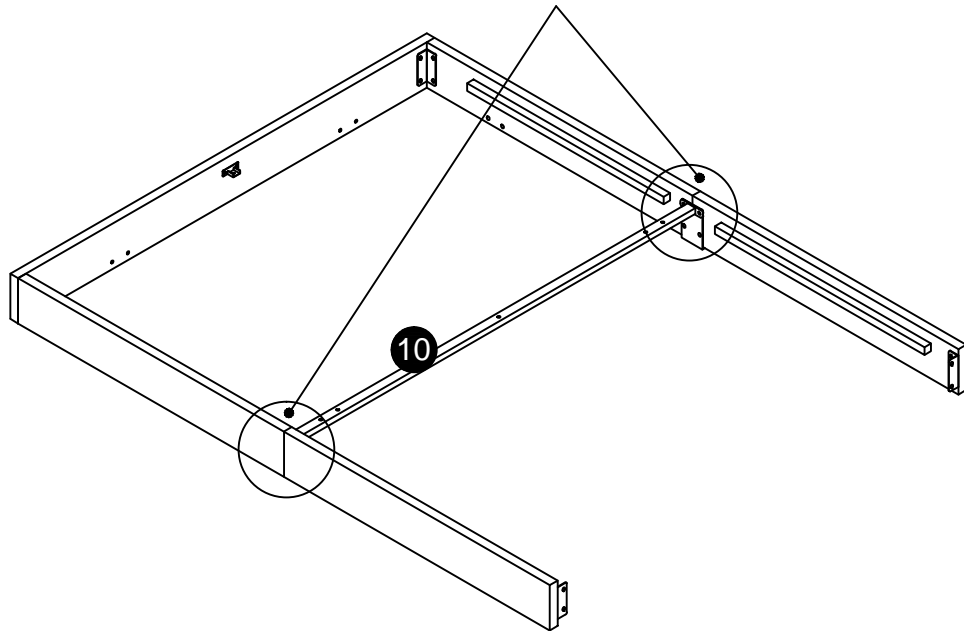
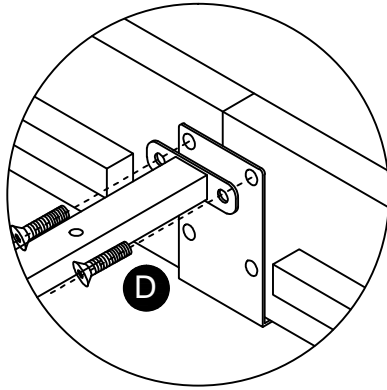


# Montageanleitung für Stauraum-Kopfteil

Step:16

 **C** X4PCS  
M8\*20

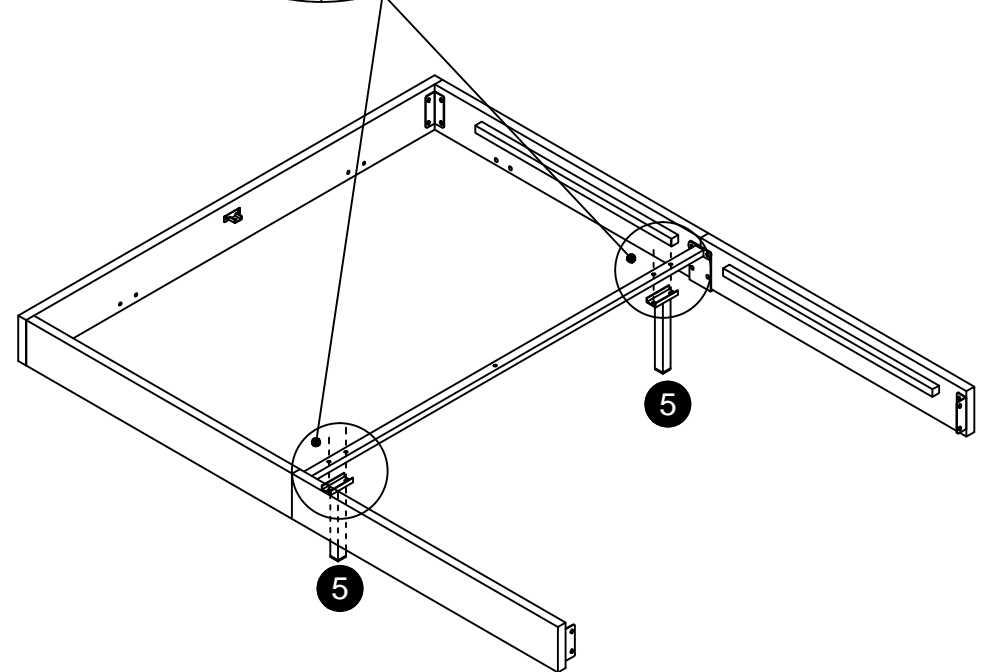
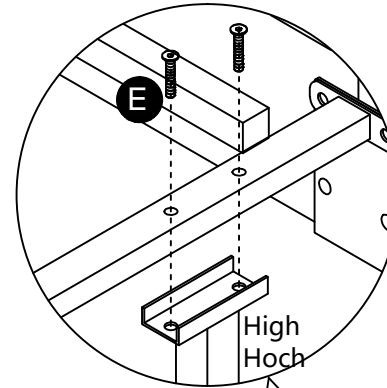
 **J** X1PCS



Step:17

 **E** X4PCS  
M8\*35




 **J** X1PCS

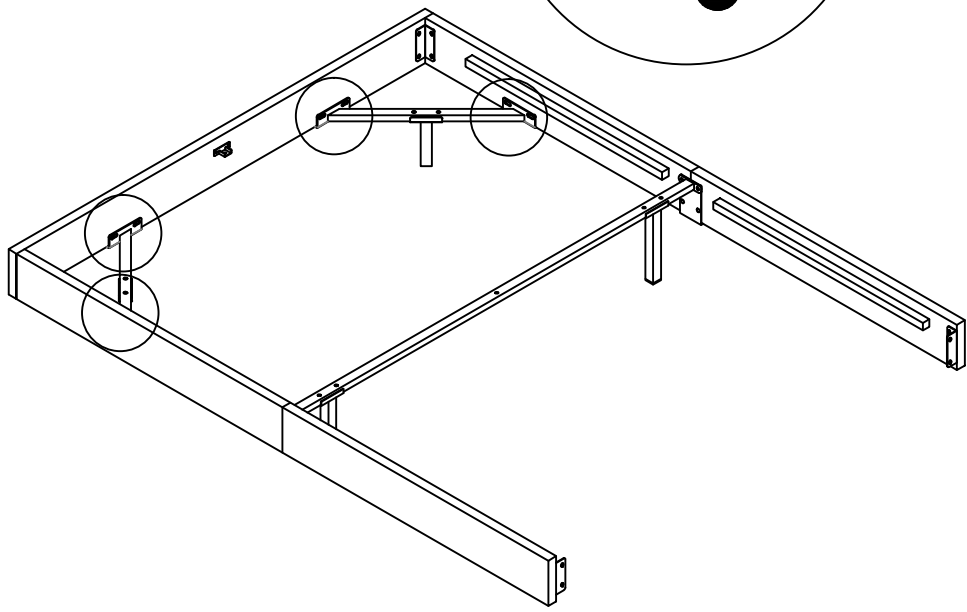
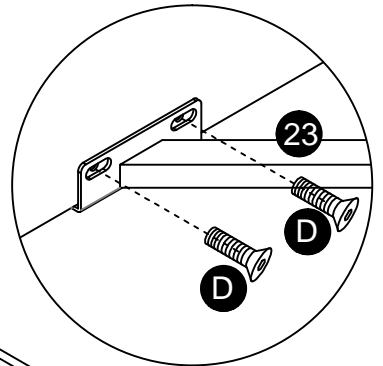
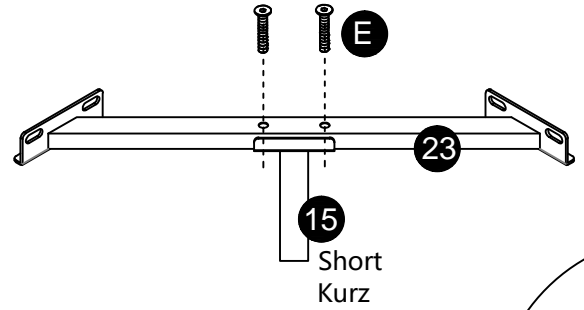







# Montageanleitung für Stauraum-Kopfteil

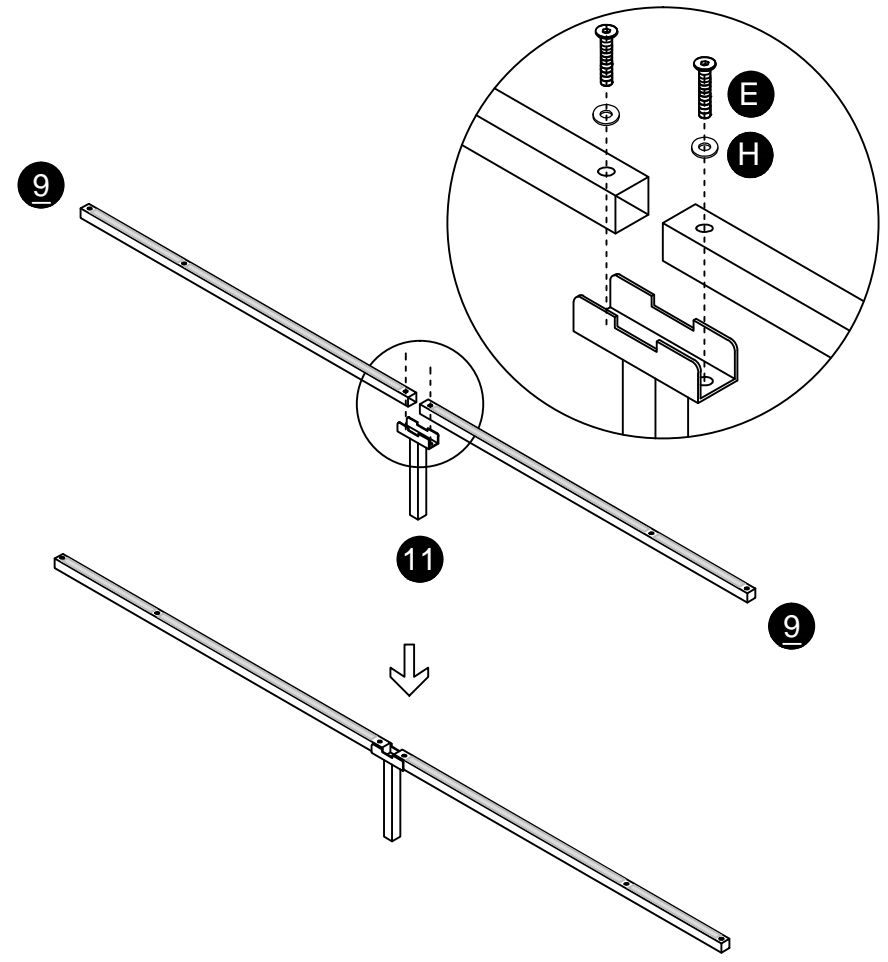
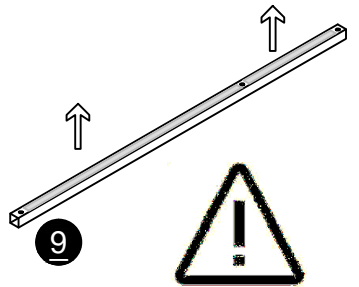
Step:18

-  M8\*20  
**D** 8PCS
-  M8\*35  
**E** 4PCS
-  **J** 1PCS



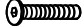

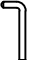
Step:19

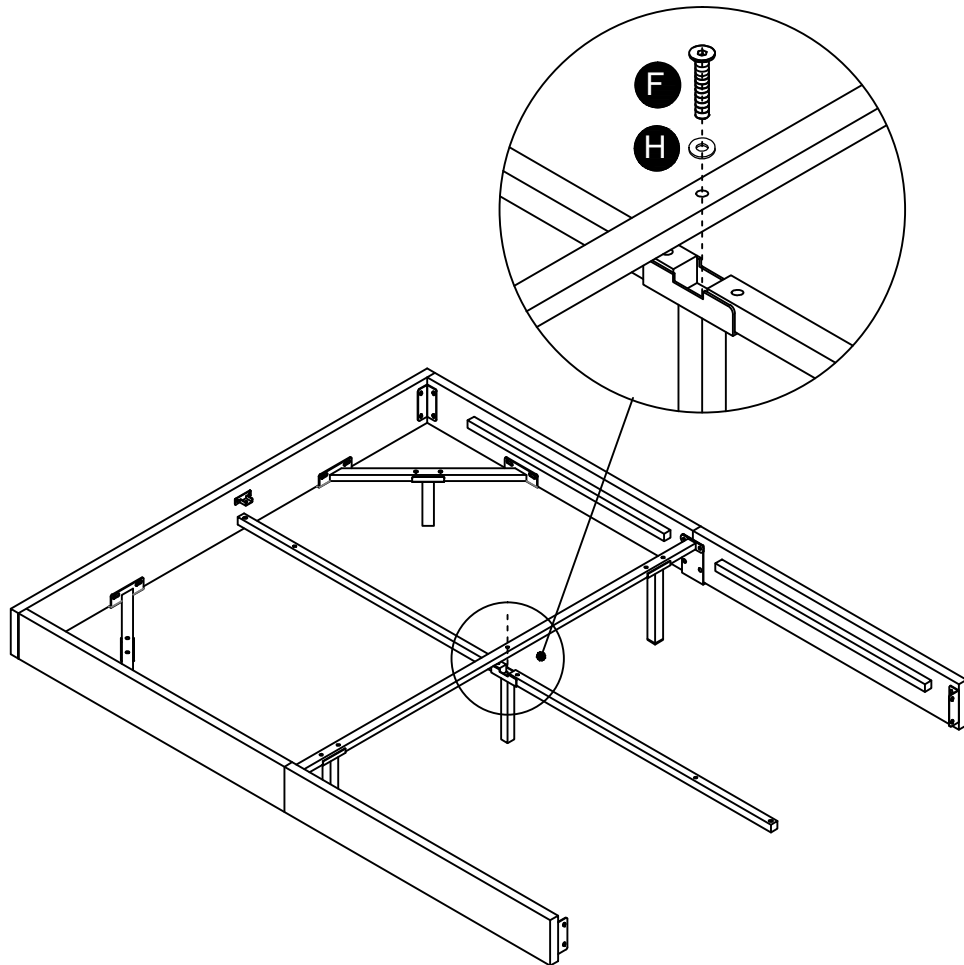
-  M8\*35  
**E** 2PCS
-  M8\*φ22  
**H** 2PCS
-  **J** 1PCS



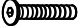


# Montageanleitung für Stauraum-Kopfteil

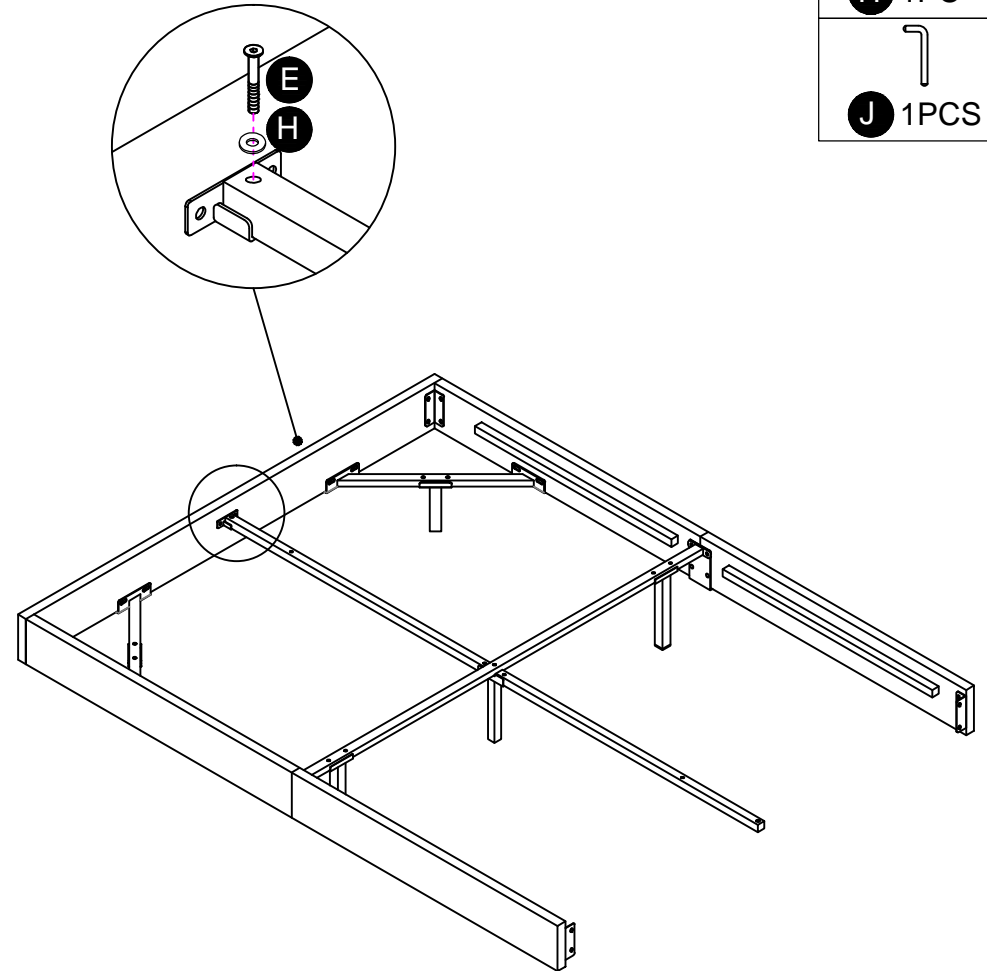
Step:20

-  M8\*50  
**F** 1PC
-  M8\*φ22  
**H** 1PC
-   
**J** 1PCS



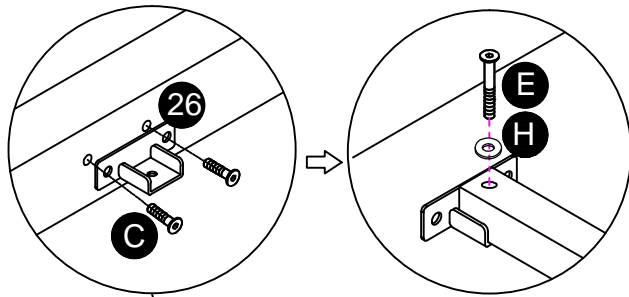
Step:21

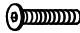
-  M8\*35  
**E** 1PC
-  M8\*φ22  
**H** 1PC
-   
**J** 1PCS




# Montageanleitung für Stauraum-Kopfteil

Step:22



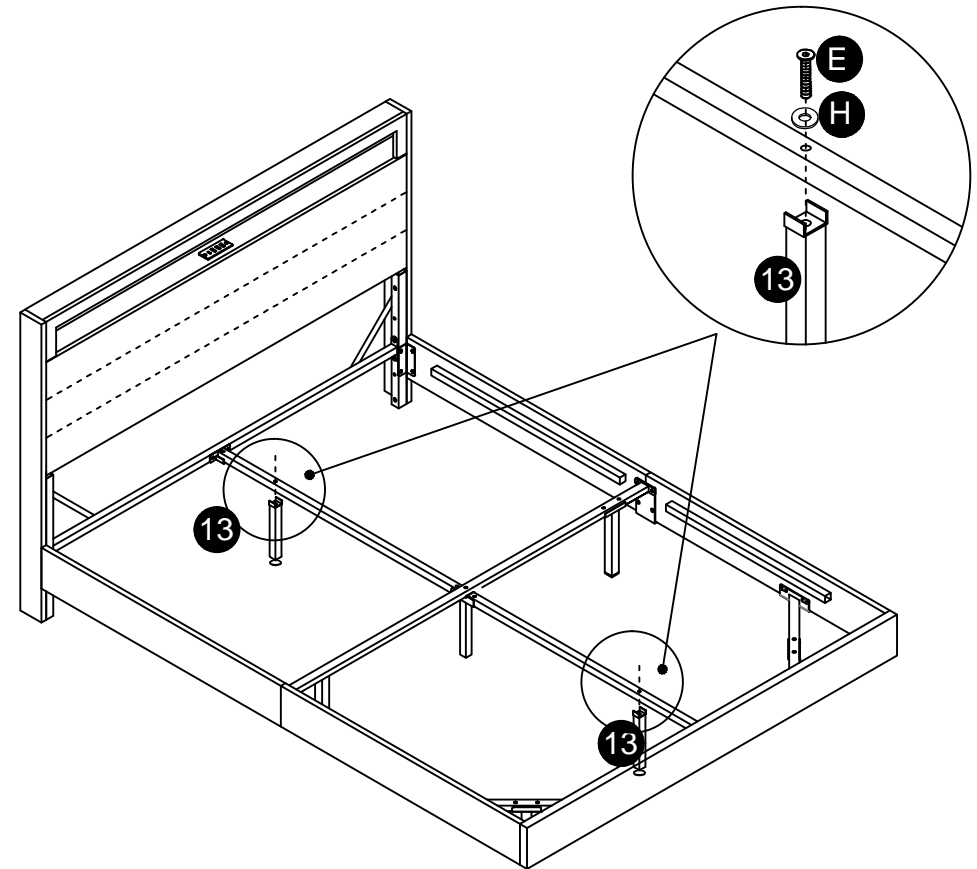
  
M8\*20  
**C** 6PCS

  
M8\*35  
**E** 1PC

  
M8\*φ22  
**H** 1PC

  
**J** 1PCS

Step:23



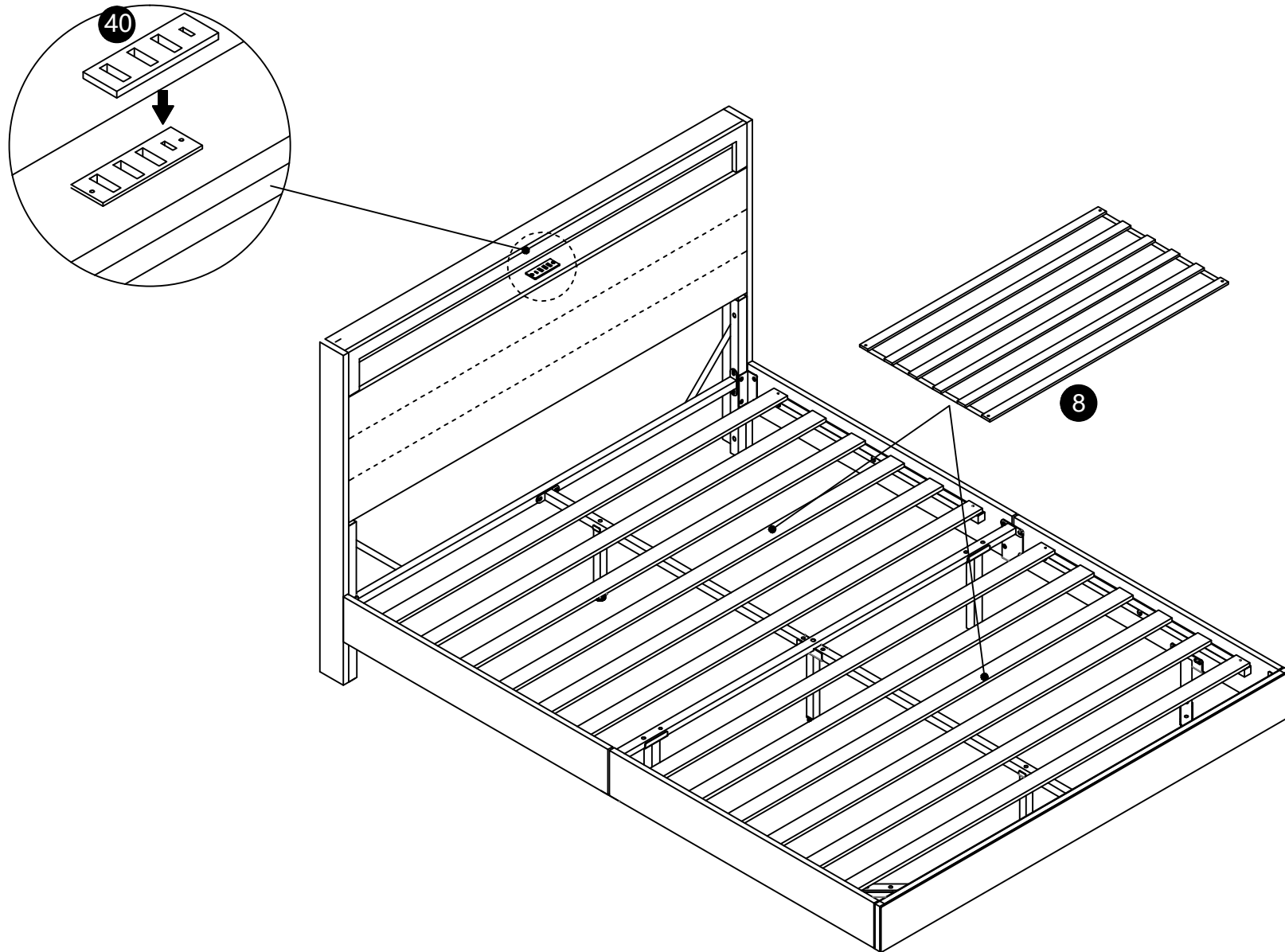
  
M8\*35  
**E** 2PCS

  
M8\*φ22  
**H** 2PCS

  
**J** 1PCS

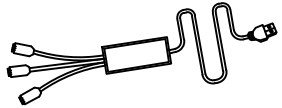
# Montageanleitung für Stauraum-Kopfteil

Step:24

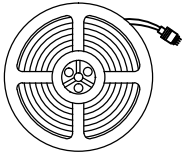


# Montageanleitung für Stauraum-Kopfteil

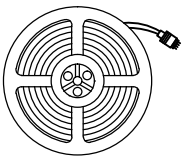
## LED related accessories LED Zubehör



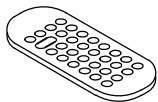
- 36** Power cord X1  
Netzkabel X1



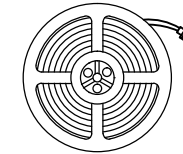
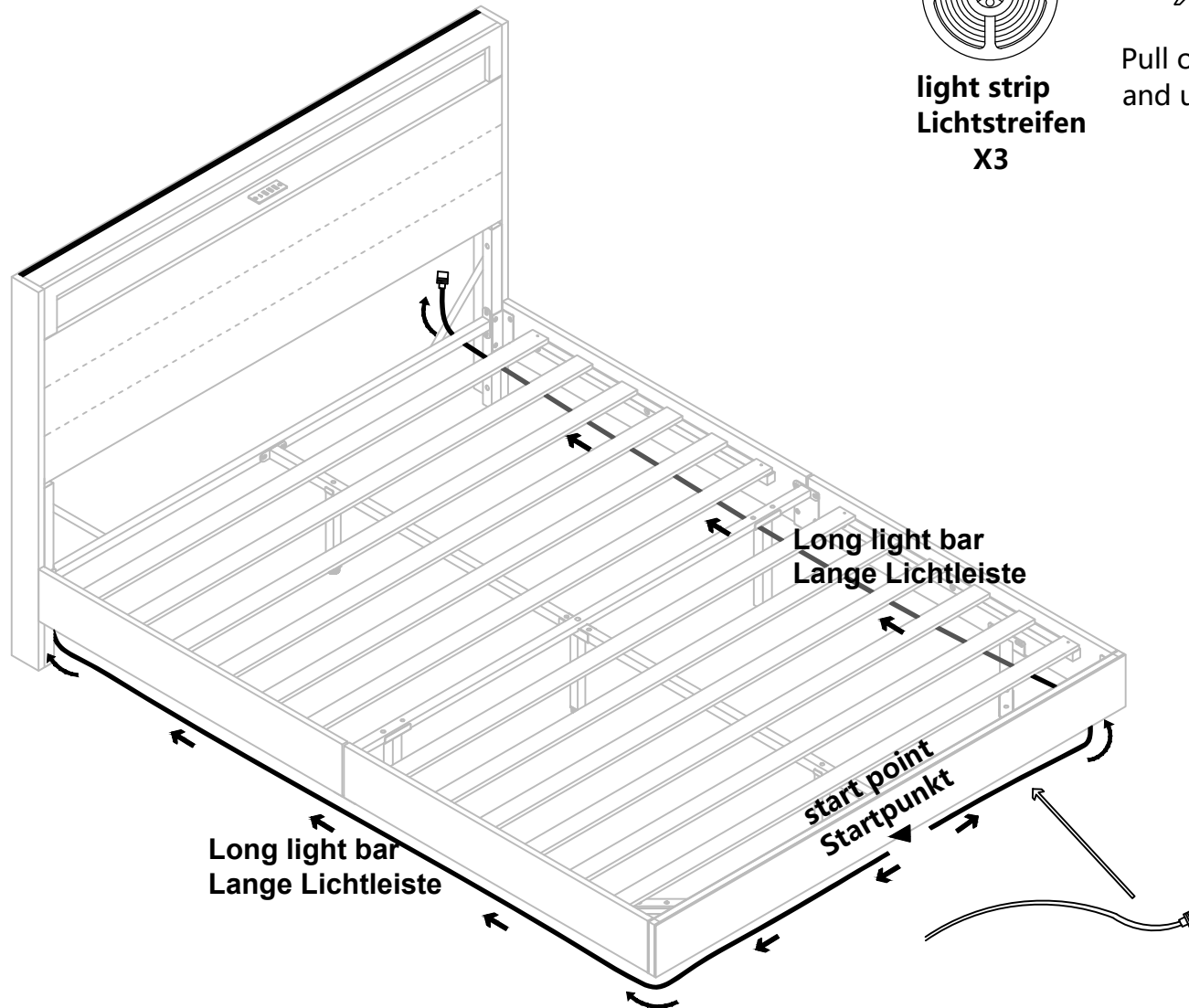
- 37** Short light bar X1  
Kurzer Leuchtbalken X1



- 38** Long light bar X2  
Lange Lichtleiste X2



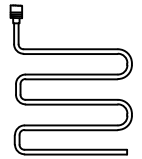
- 39** Remote control X1  
Fernbedienung X1



light strip  
Lichtstreifen  
X3

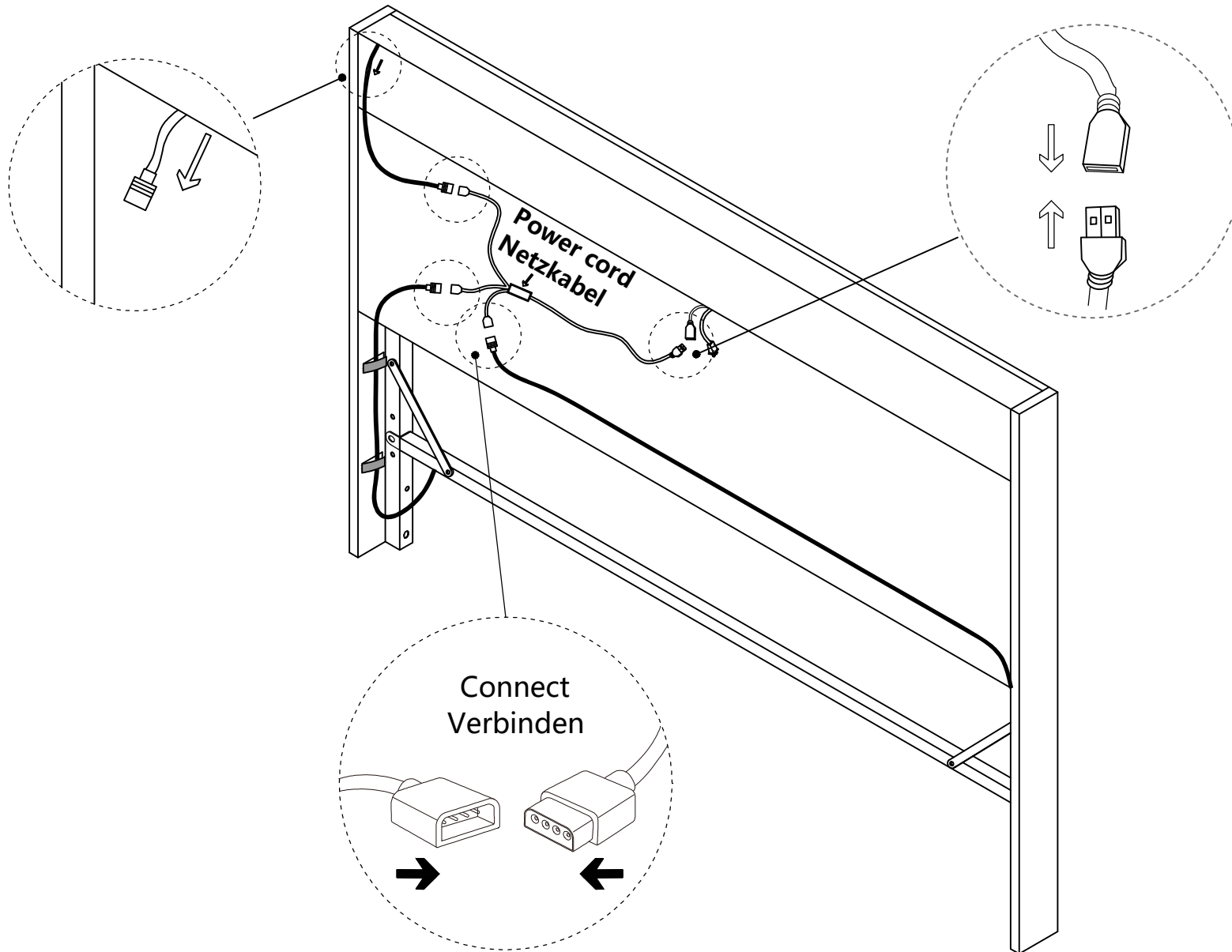


Pull out  
and unfold



light strip  
Lichtstreifen

# Montageanleitung für Stauraum-Kopfteil



# Verification of Compliance

|                                   |   |
|-----------------------------------|---|
| Verification No.:                 | MK23020083-P01E01   |
| Name and address of Applicant:    | <b>Shenzhen Hongzhengyu Technology Co., LTD</b><br>Shenzhen baoan district rock street industrial science and technology industrial park of 2 Haitian lanyu 3 5 floor of A  |
| Name and address of Manufacturer: | <b>Shenzhen Hongzhengyu Technology Co., LTD</b><br>Shenzhen baoan district rock street industrial science and technology industrial park of 2 Haitian lanyu 3 5 floor of A  |
| Product name:                     | <b>Lamp strip</b>   |
| Rated:                            | 5V --- 1A<br>HZY-2835-120D-12V, HZY-2835-30D-5V, HZY-2835-60D-5V, HZY-2835-120D-5V, HZY-2835-60D-12V, HZY-2835-60D-24V, HZY-2835-120D-24V, HZY-2835RGB-60D-5V, HZY-2835RGB-60D-12V, HZY-5050-30D-5V, HZY-5050-60D-5V, HZY-5050-30D-12V, HZY-5050-60D-12V, HZY-5050-60D-24V, HZY-5050RGB-30D-5V, HZY-5050RGB-60D-5V, HZY-5050RGB-30D-12V, HZY-5050RGB-60D-12V, HZY-5050RGB-60D-24V |
| Product model(s):                 |   |
| Product trademark:                | N/A   |

This verification confirms that the product meets the requirements of the following standard.

The conformity was demonstrated based on following standard(s) listed by European Commission as harmonized with EMC Directive 2014/30/EU.

EN IEC 55015:2019+A11:2020  
IEC 61547:2020

*The verification has been carried out in accordance with individual rules and conditions agreed with the applicant. Evaluation has been carried out in accordance with:*

|                          |   |
|--------------------------|---|
| Test report(s) No.:      | MK23020083-P01E01                         |
| Test conducted by:       | TMC Testing Services (Shenzhen) Co., Ltd. |
| Verification issue date: | February 25, 2023                         |

**Notes:**

*This verification refers to the above mentioned product and its conformity in regards of above mentioned standard(s) was proven on test sample.*

*This verification does not imply meeting all essential requirements, assessment of the series-production or any other restricted Notified Bodies conformity assessment procedure appropriate for the product.*

*This verification holder shall use this verification in connection to verification of conformity and technical data relevant for the product the verification was issued.*

**TMC Testing Services (Shenzhen) Co., Ltd.**

t:86-755-86642861 cert@tmc-lab.com www.tmc-lab.com

1st Floor, Block A1, Zone A, Xinshidai Gongrong Industrial Park, No. 2, Shihuan Road, Shiyuan Street, Baoan District, Shenzhen, China



Reference No. : WTN22D07148186Z  
 Applicant : Guangdong Zhangong Electric Technology Co., Ltd.  
 Address : Room 701, Building 29, Shunde Zhifu Park, No.8, 2nd Ring Road, Gaozan village committee, Xingt an town, Shunde District, Foshan City, Guangdong Province  
 Manufacturer : The same as above  
 Address : The same as above  
 Product : Power Strip  
 Model No. : See model list  
 Technical data : Input:250V~, 50/60Hz, 16A USB Output:DC 5V,2.0A

**Test Standards:**

DIN VDE 0620-1(VDE 0620-1) : 2019

The above product has been tested by us with the listed standards and found in compliance with the European Directive LVD 2014/35/EU. It is possible to use CE marking to demonstrate the compliance with this LVD Directive.

**Plugs and socket-outlets for household and similar purposes Part 1: General requirements**

The referred test report(s) show that the product complies with standard(s) recognized as giving presumption of compliance with the essential requirements in the above mentioned EU Directive. Other relevant Directives have to be observed.

After preparation of the necessary technical documentation as well as the EU Declaration of Conformity, the CE marking as shown below can be affixed on the equipment under the sole responsibility of the manufacturer.



Manager: Deval Qin  
 Date: 2022-8-25

The statement is based on a single evaluation of the sample of above mentioned product. It does not imply an assessment of the whole production.

**Waltek Testing Group Co., Ltd.**

Hotline: 400-840-2288

E-mail: info@waltek.com.cn

Http://www.waltek.com.cn

Ver.02. 29.07.2022, WALTEK is registered trademark. Utilisation and application requires prior approval.



# Attachment

## Model list



Reference No.: WTN22D07148186Z

Model list

| Product name       | Model Name       | Description  |
|--------------------|------------------|--|
| Power Strip        | G-PDUM0/12A/15A  | 250V~ 16A, IP20, Class I, with multi-ways DIN49440-1 socket-outlets with shutter, with USB output, with a non-rewirable plug with cord H05VV-F 3G1,5mm2. |
|                    | ZG-PDUG1/10A/16A |  |
|                    | ZG-PDUG2/10A/16A |  |
|                    | ZG-PDUG3/10A/16A |  |
|                    | ZG-PDUG4/10A/16A |  |
|                    | ZG-PDUF/10A/16A  |  |
|                    | ZG-PDUW1/10A/16A |  |
|                    | ZG-PDUW2/10A/16A |  |
|                    | ZG-PDUB/10A/16A  |  |
|                    | ZG-PDUC3/10A/15A |  |
|                    | ZG-PDUC9/10A/15A |  |
|                    | ZG-PDUA/10A/15A  |  |
|                    | ZG-PDUY/10A/15A  |  |
|                    | ZG-JJ/12A/15A    |  |
|                    | ZG-HG/12A/15A    |  |
|                    | ZG-ZJ/12A/15A    |  |
|                    | ZG-SJ/12A/15A    |  |
|                    | ZG-DQ/12A/15A    |  |
| ZG-PC/12A/15A      |                  |  |
| ZG-PDU J00/10A/16A |                  |  |

=====End of Attachment=====

**Waltek Testing Group Co., Ltd.**

Hotline:400-840-2288

E-mail:info@waltek.com.cn

Http://www.waltek.com.cn

Ver.02. 29.07.2022, WALTEK is registered trademark. Utilisation and application requires prior approval.