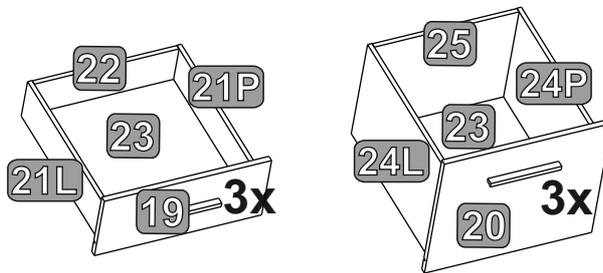
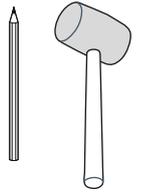
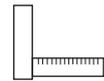
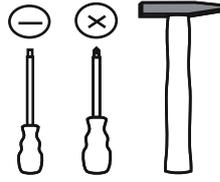
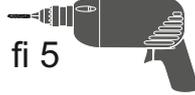
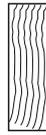
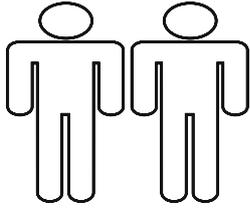
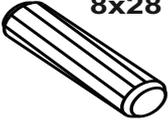
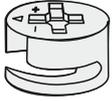
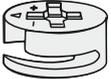
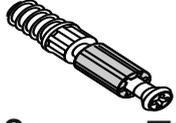
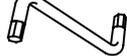
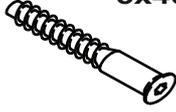
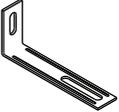
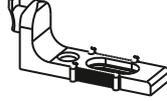
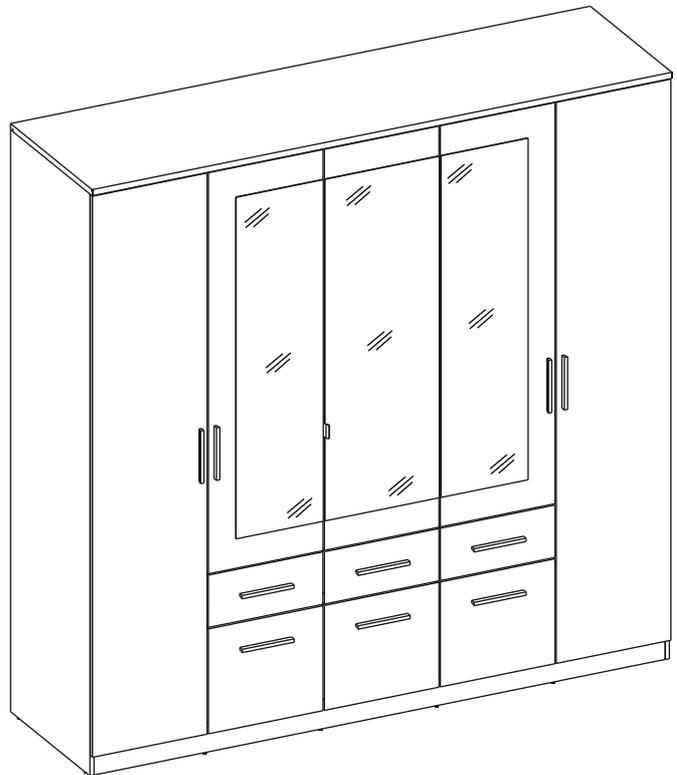


NR	DIM	QTE	COLLI
1	2103x580x15	1	1/6
2	2103x580x15	1	6/6
3	2120x600x22	1	2/6
4	2089x580x15	1	2/6
5	571x560x15	1	3/6
6	2018x580x15	1	1/6
7	2018x580x15	1	1/6
8	571x560x15	1	3/6
9	825x560x15	2	6/6
10	409x560x15	4	6/6
11	409x495x15	1	3/6
12	2089x70x15	1	2/6
13	2089x70x15	1	2/6
14	2037x838x2	2	4/6
15	2037x416x2	1	4/6
16	2027x419x15	2	4/6
17	1449x419x18,5	2	5/6
18	1449x419x18,5	1	5/6
19	419x189x15	3	4/6
20	419x379x15	3	4/6
21L	450x120x12	3	3/6
21P	450x120x12	3	3/6
22	360x120x12	3	3/6
23	450x371x2	6	3/6
24L	450x310x12	3	3/6
24P	450x310x12	3	3/6
25	360x310x12	3	3/6

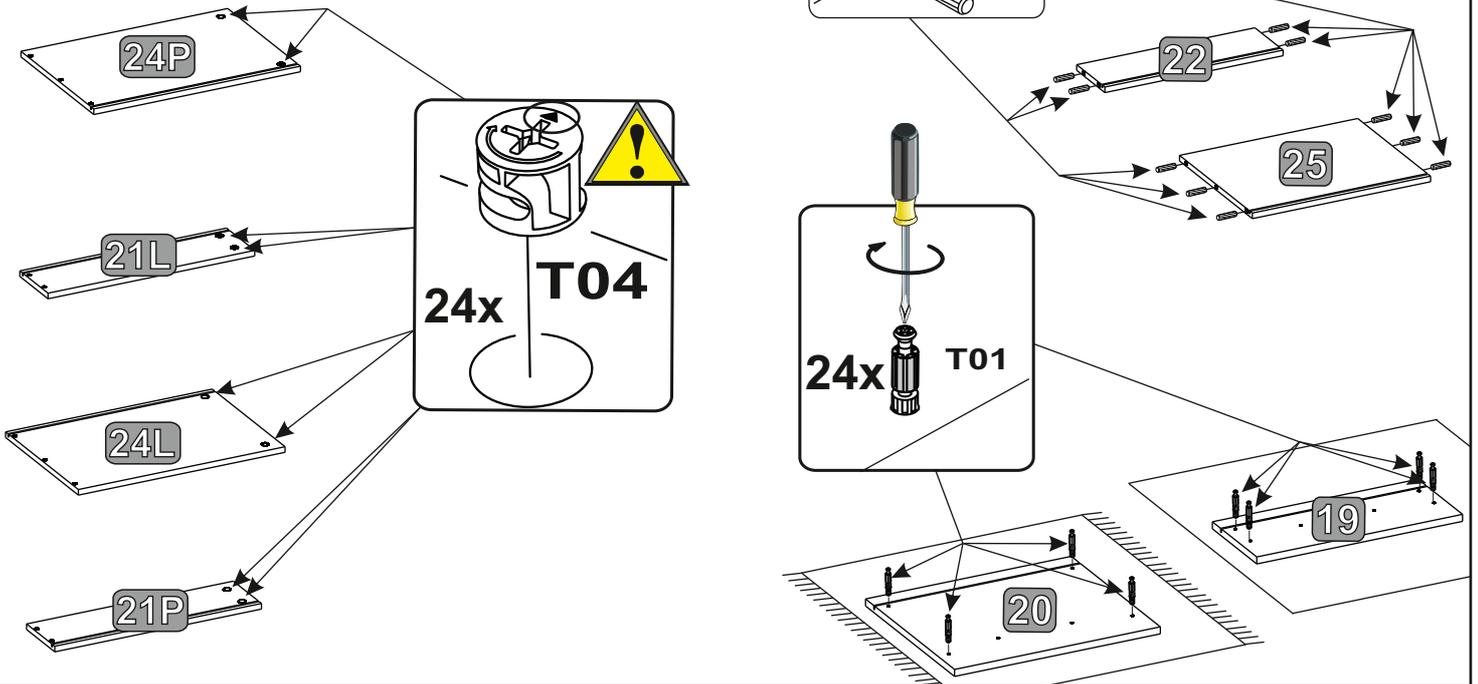
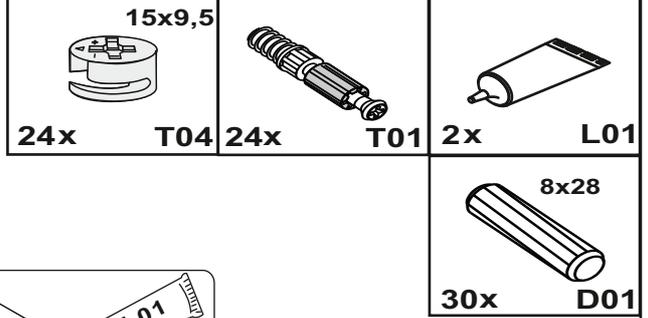
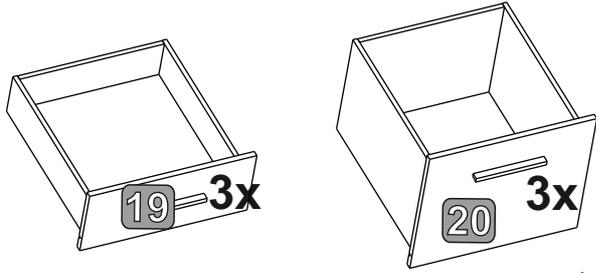




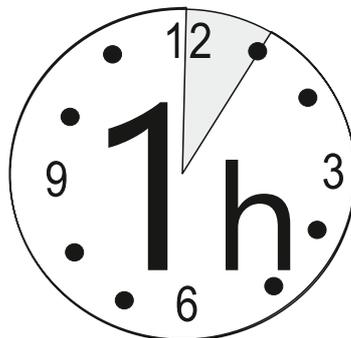
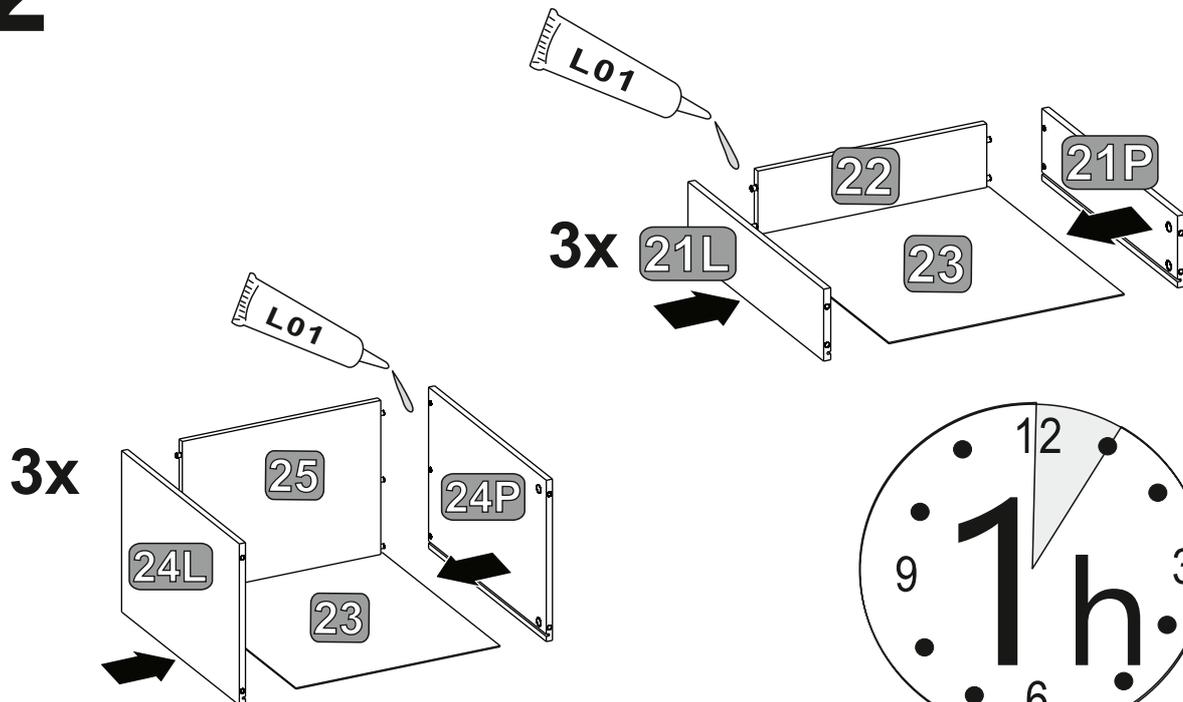
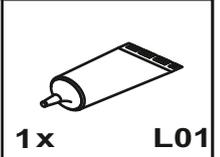
 <b>8x28</b> <b>74x D01</b>	 <b>15x12</b> <b>66x T02</b>	 <b>15x9,5</b> <b>24x T04</b>	 <b>90x T01</b>	 <b>1x K01</b>	 <b>5x40</b> <b>8x W16</b>
 <b>6x L+P P07</b>	 <b>6x8</b> <b>24x W10</b>	 <b>3x13</b> <b>24x W03</b>	 <b>L-818</b> <b>2x J01</b>	 <b>4x E03</b>	 <b>12x S01</b>
 <b>17x Z02</b>	 <b>KR-0</b> <b>8x Z01</b>	 <b>KR-08</b> <b>9x Z03</b>	 <b>3,5x15</b> <b>40x W01</b>	 <b>3x L01</b>	 <b>4x E01</b>
 <b>10x U02</b>	 <b>4x25</b> <b>20x W05</b>	 <b>2x P01</b>	 <b>4x13</b> <b>6x W07</b>	 <b>4x R02</b>	 <b>18x R01</b>
 <b>1x U11</b>	 <b>2x F11</b>				
 <b>2x F01</b>					

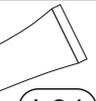


1

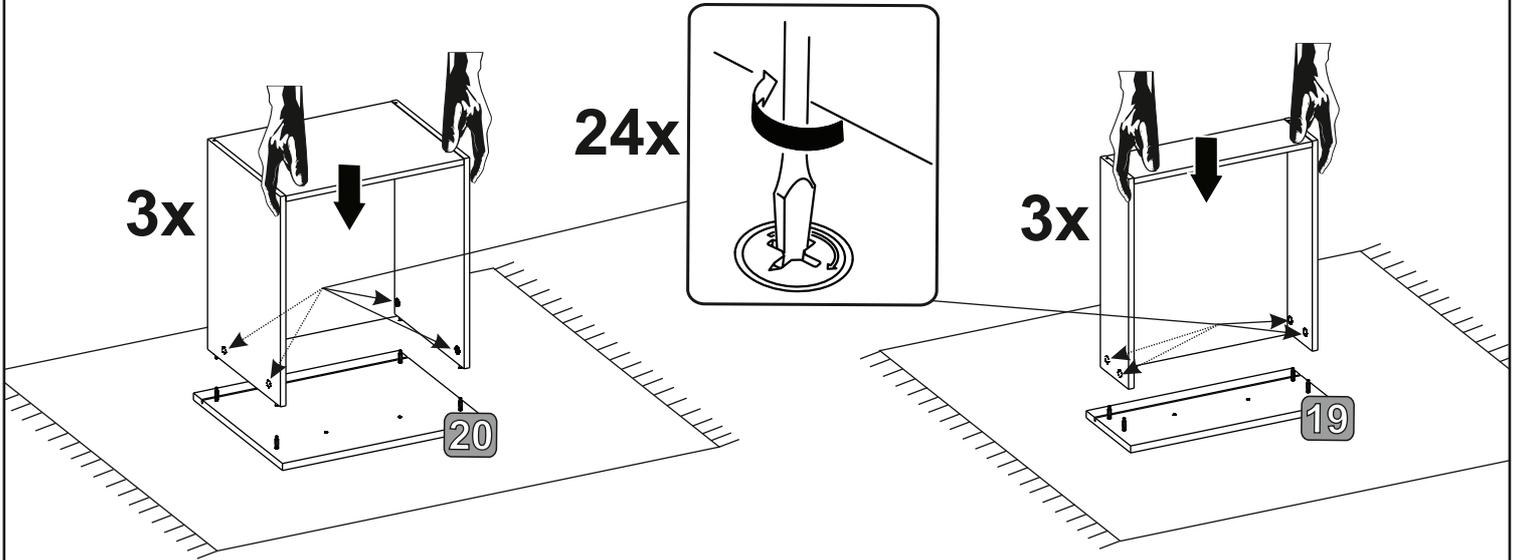


2



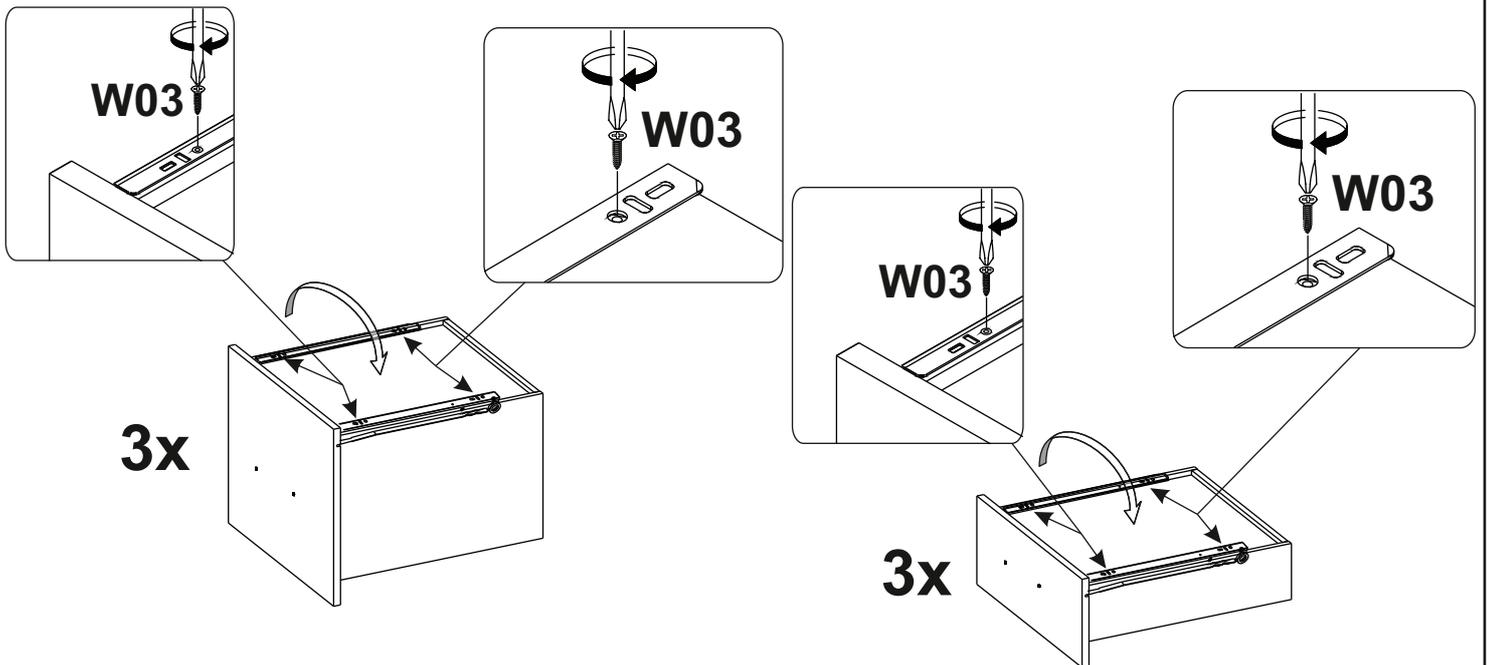
- 

L01
- GB Glue
  - DE Leim
  - FR Colle
  - IT Colla
  - NL Lijm
  - PL Klej
  - CZ Lepidlo
  - SK Glej
  - HU Enyv
  - RO Adeziv
  - TR Tutkal
  - HR Ljepilo
  - ES Pegamento
  - RU Клей

# 3

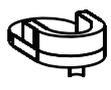


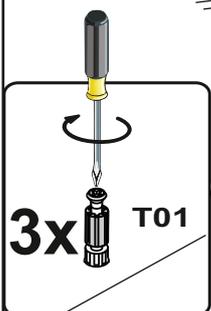
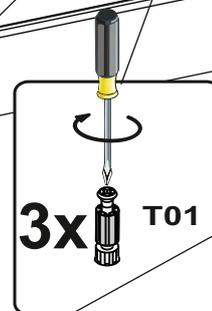
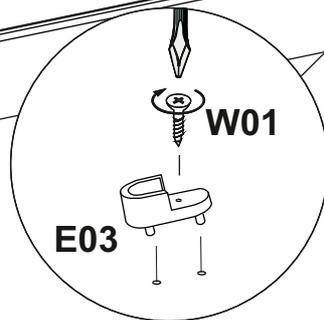
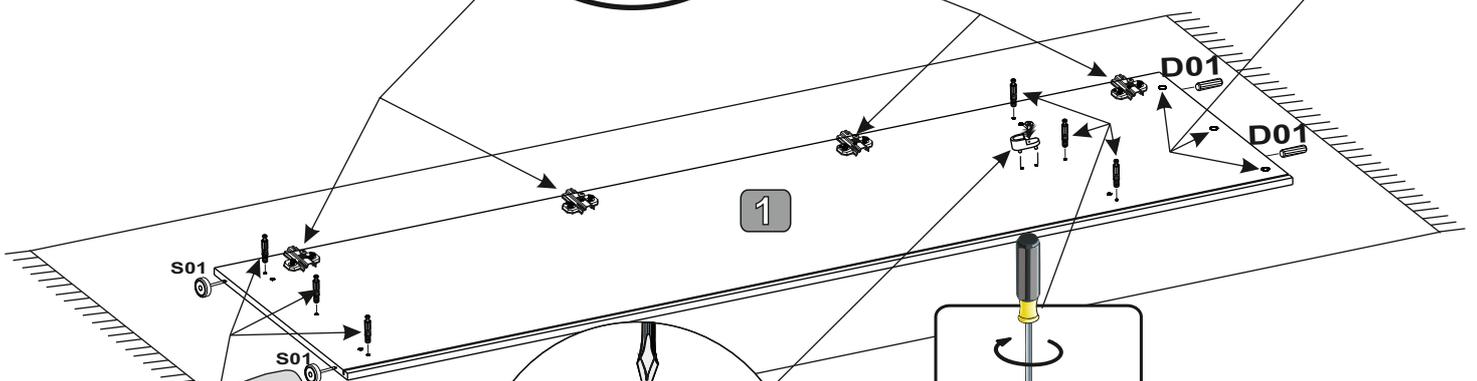
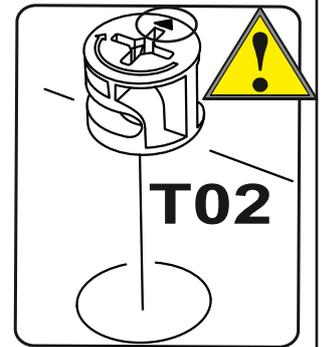
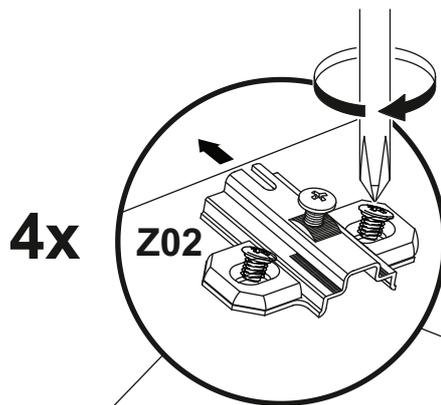
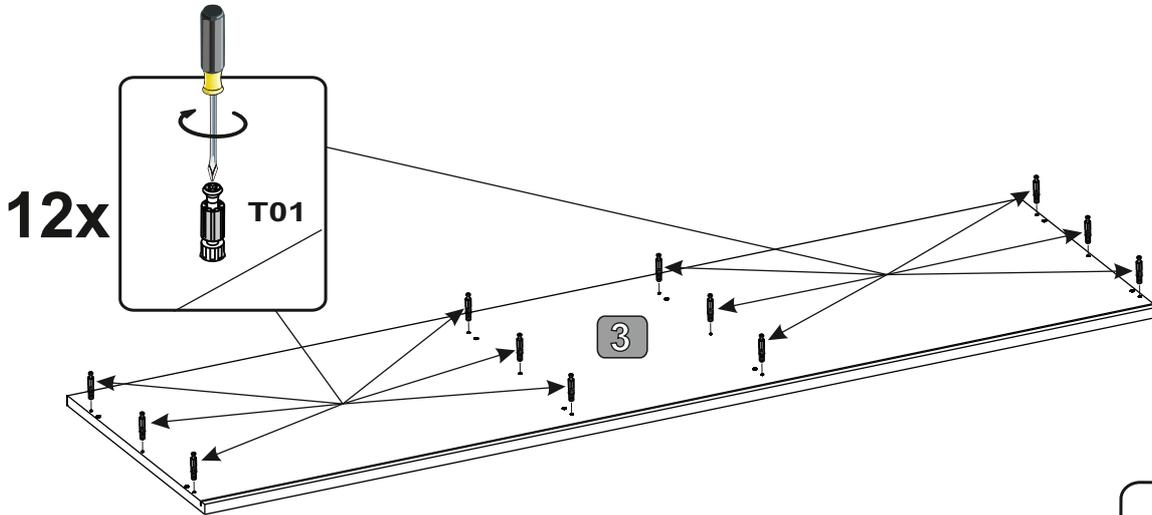
# 4

	3 x13	
24x	W03	6x L+P P07



5

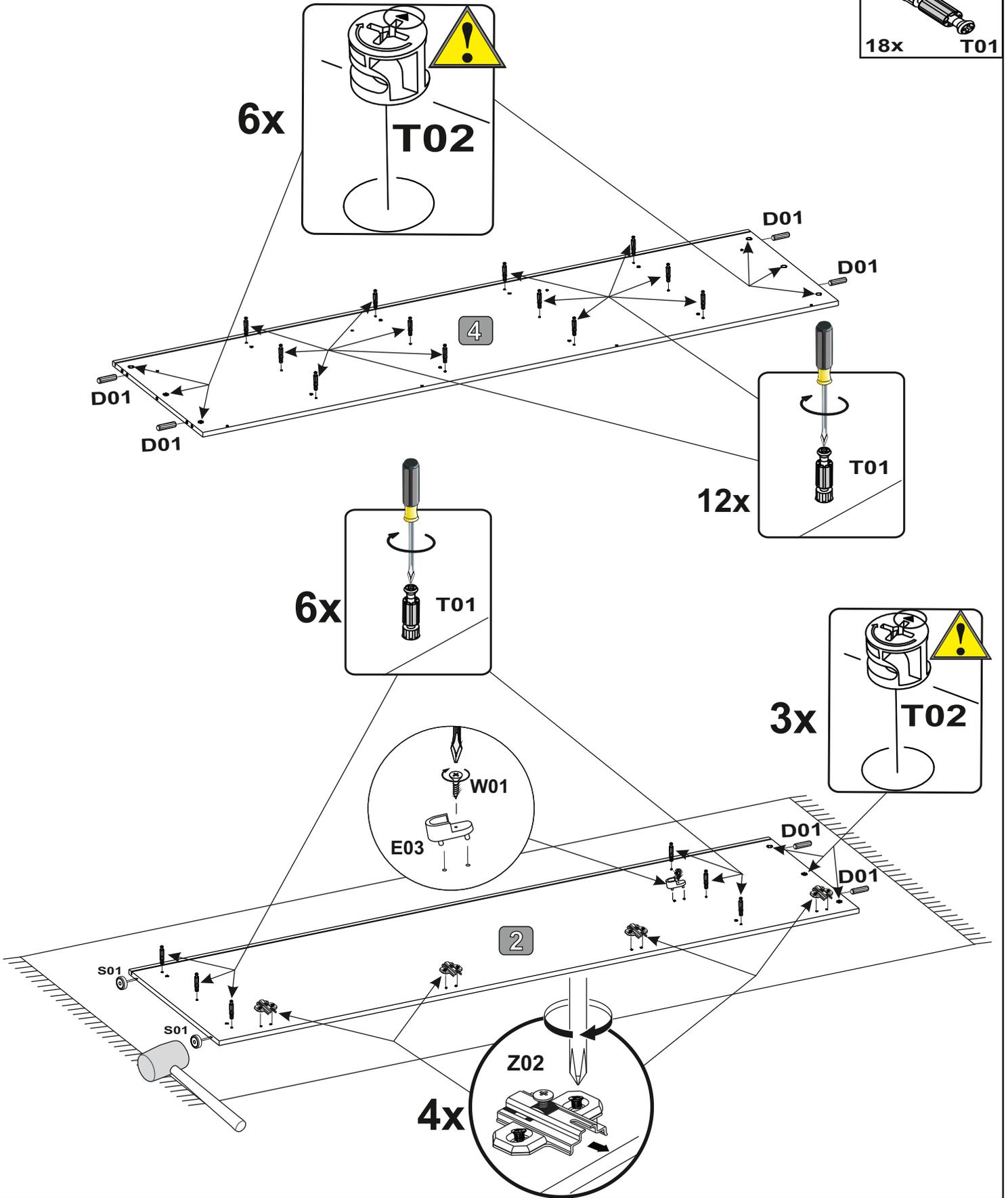
 3,5x15 1x W01	 4x Z02	 1x E03	 2x S01	 18x T01	 8x28 2x D01	 15x12 3x T02
---	---	---	--	--	---	--



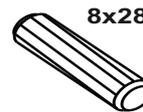
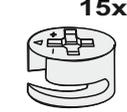
6

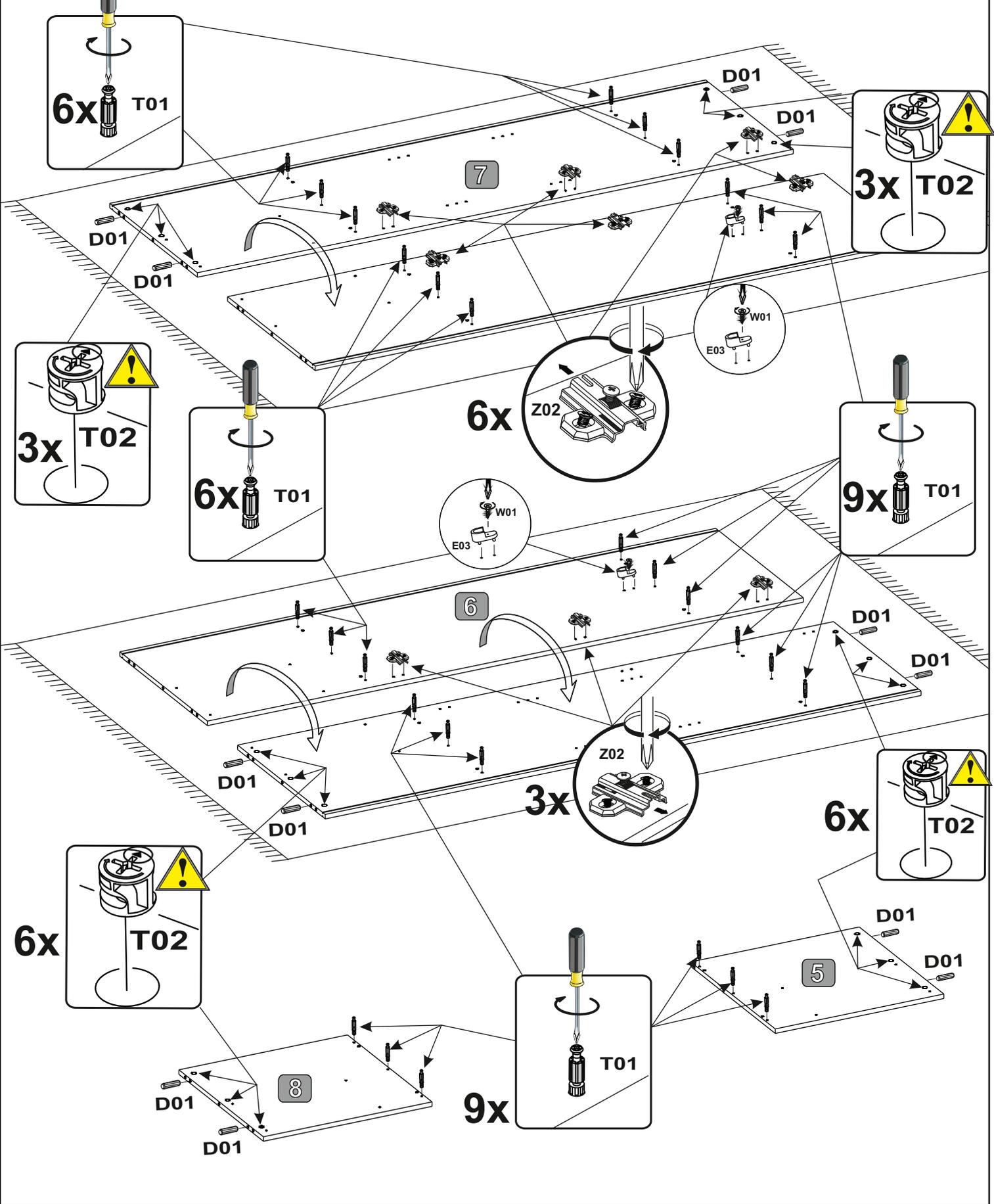
1x E03	6x 8x28 D01	4x Z02	1x 3,5x15 W01	2x S01	9x 15x12 T02
-----------	-------------------	-----------	---------------------	-----------	--------------------

18x T01
------------

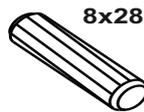
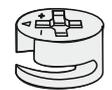


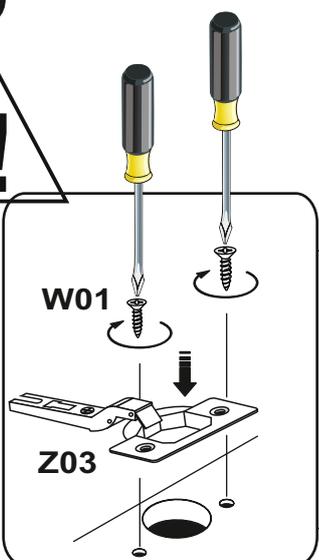
7

	 3,5x15 2x W01	 2x E03	 8x28 12x D01	 9x Z02	 15x12 18x T02	 30x T01
--	---	---	--	--	---	--

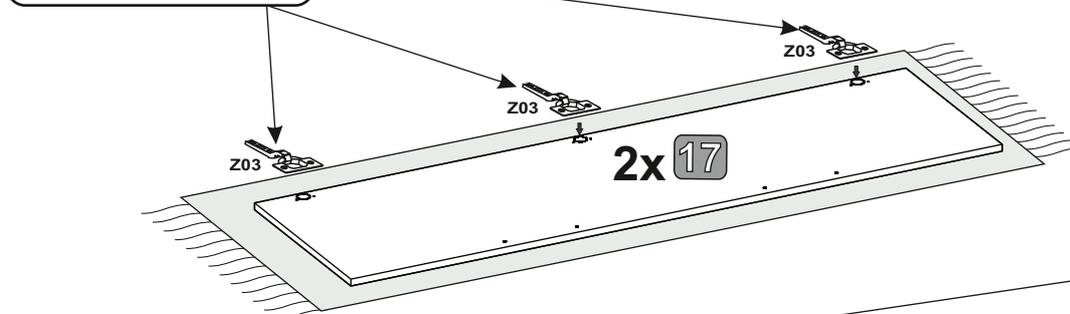
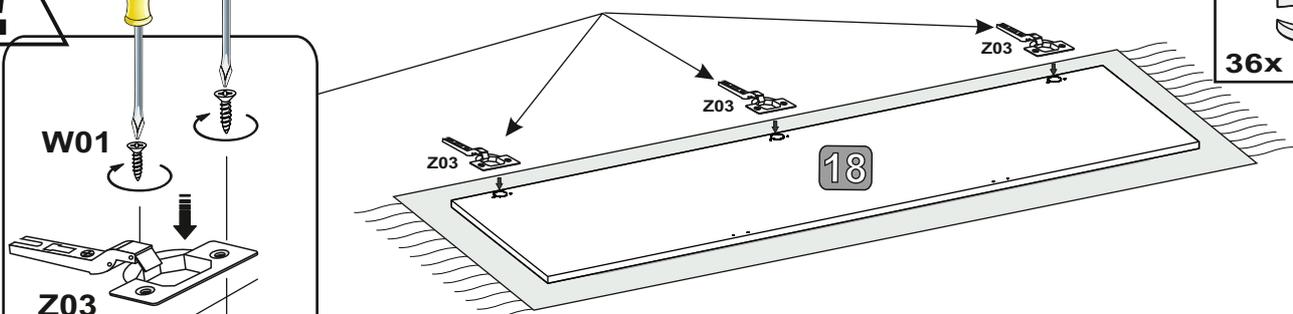


8

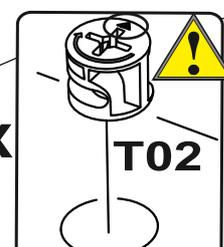
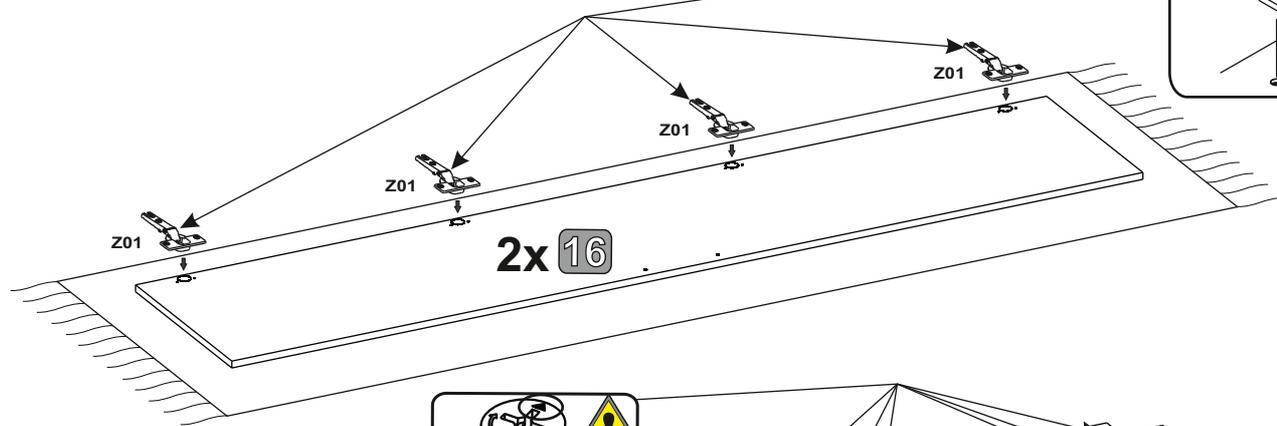
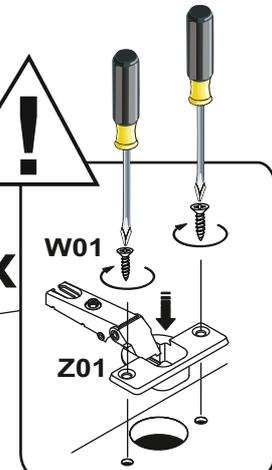
 8x28 24x D01	 S01 8x	 3,5x15 34x W01	 KR-0 8x Z01	 KR-08 9x Z03
				 15x12 36x T02



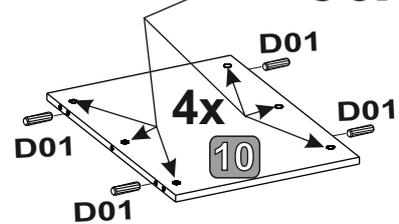
9x



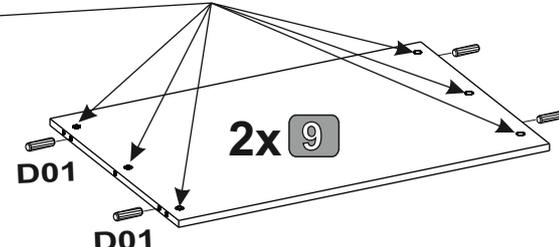
8x



36x

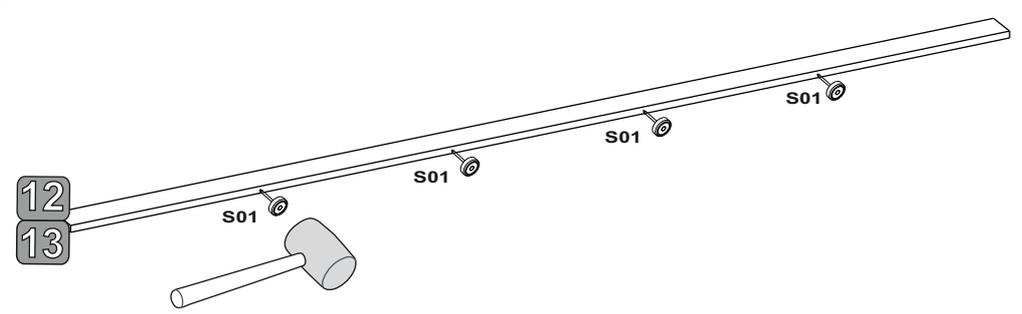


4x

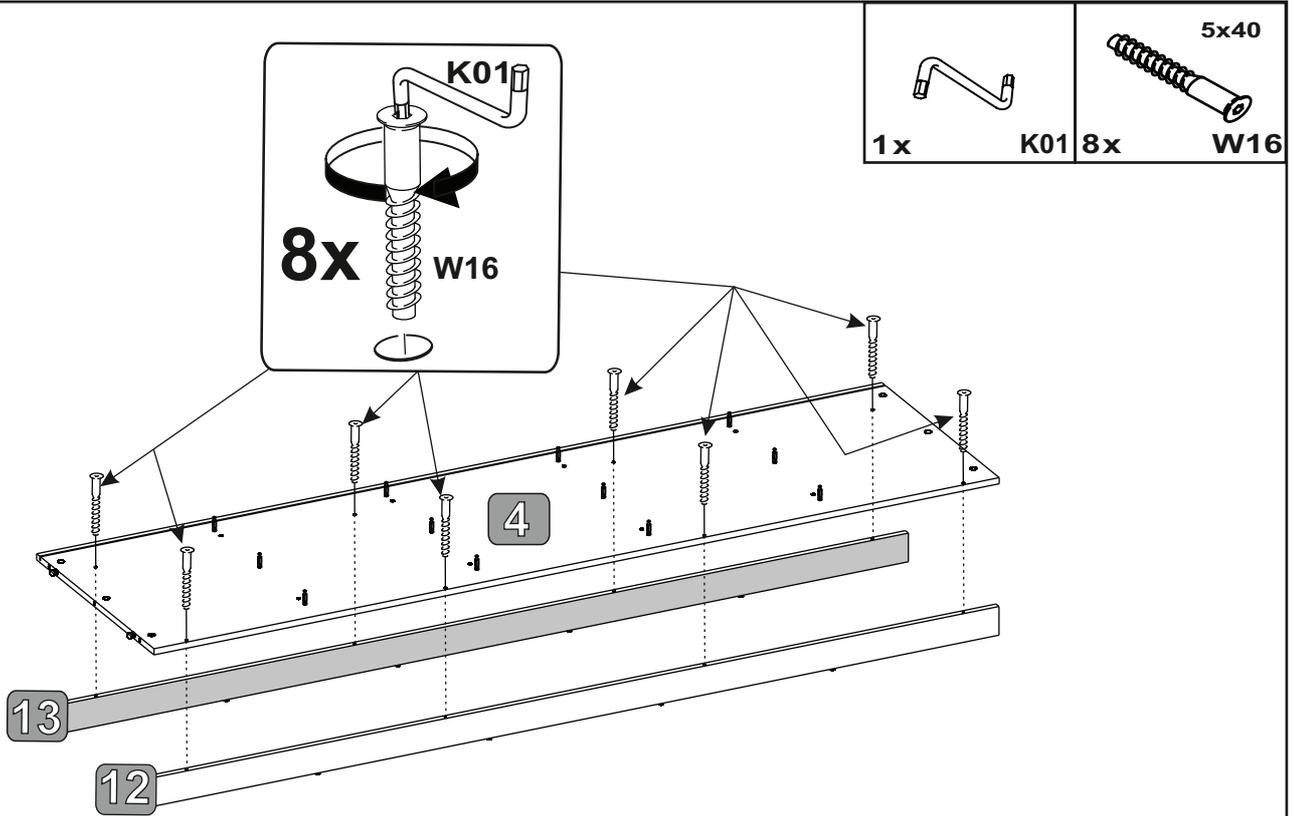


2x 9

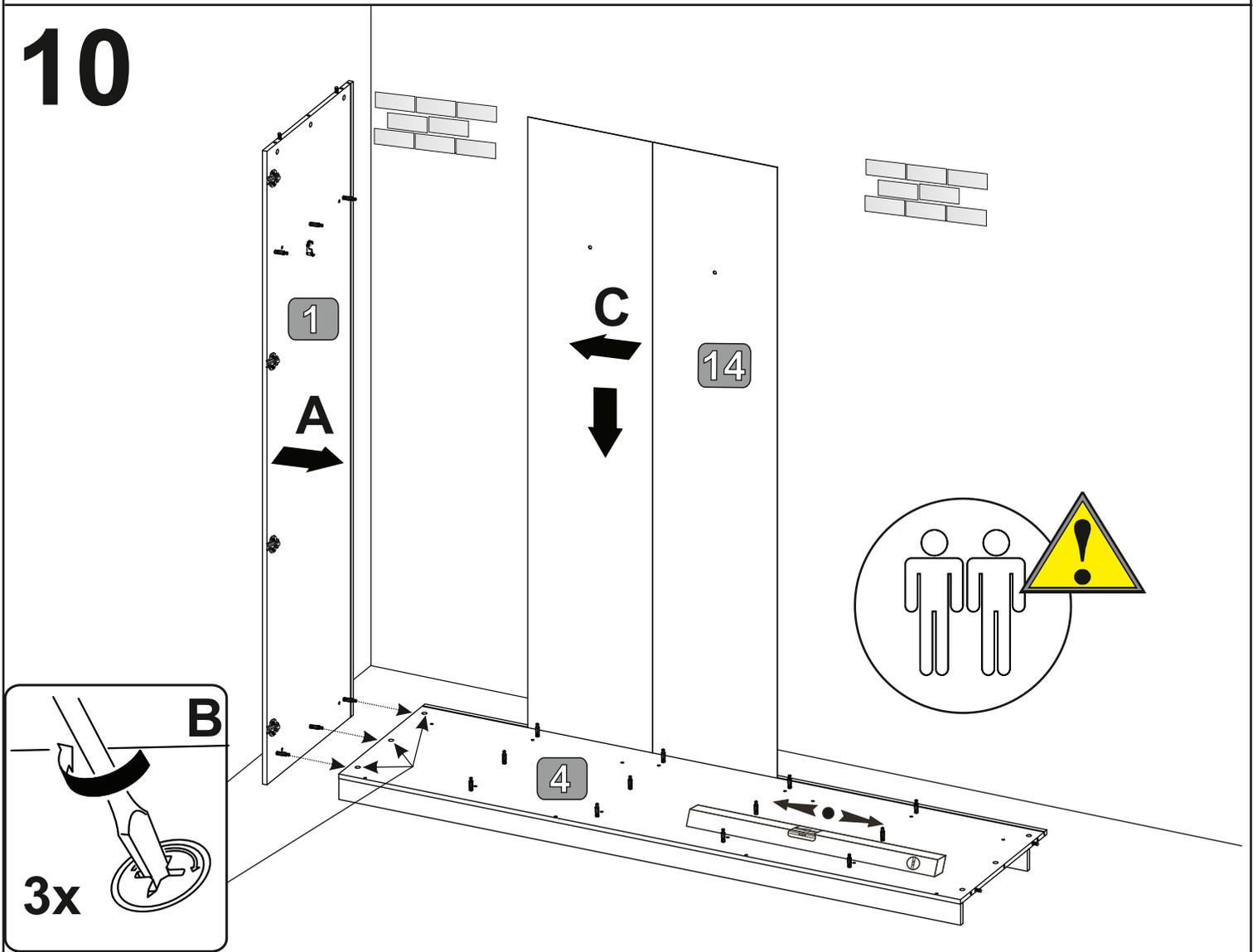
12  
13



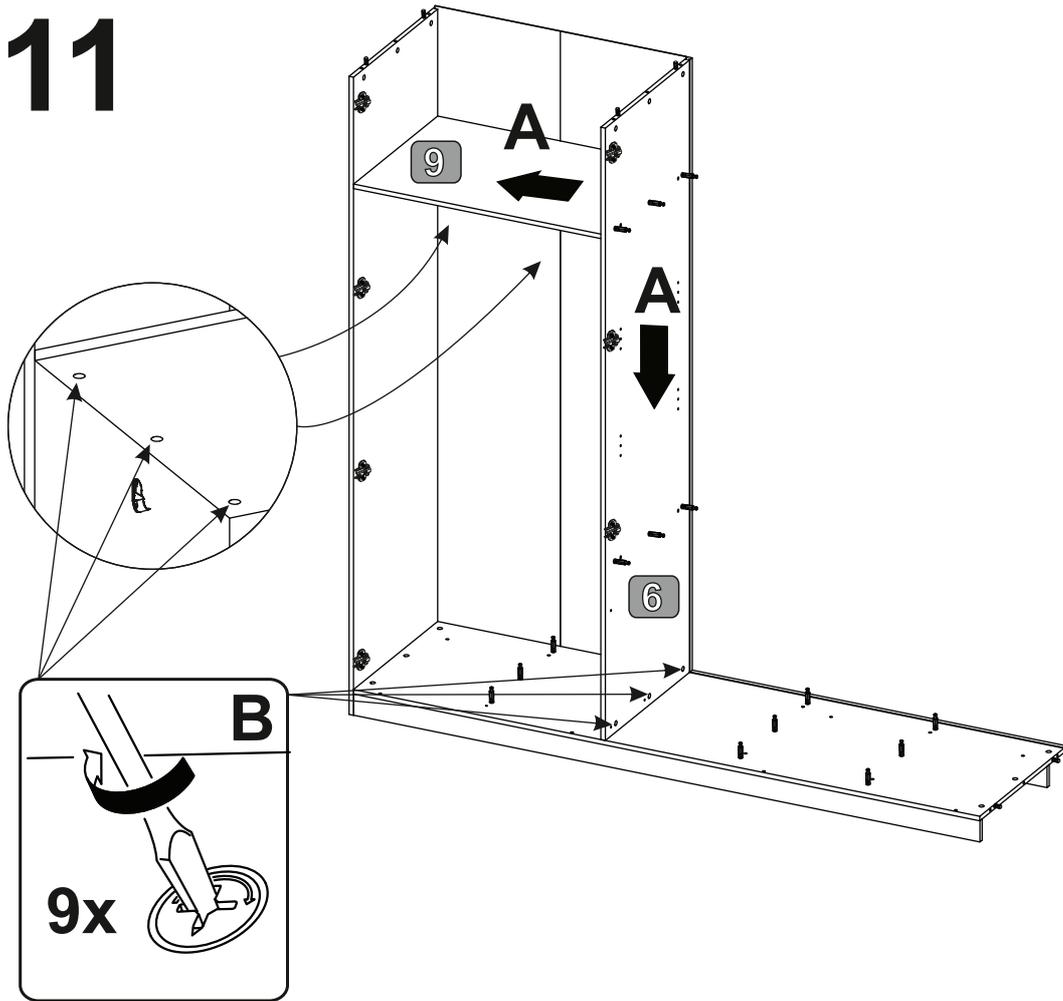
9



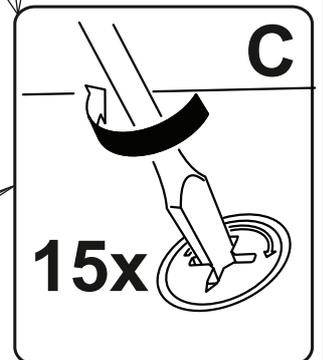
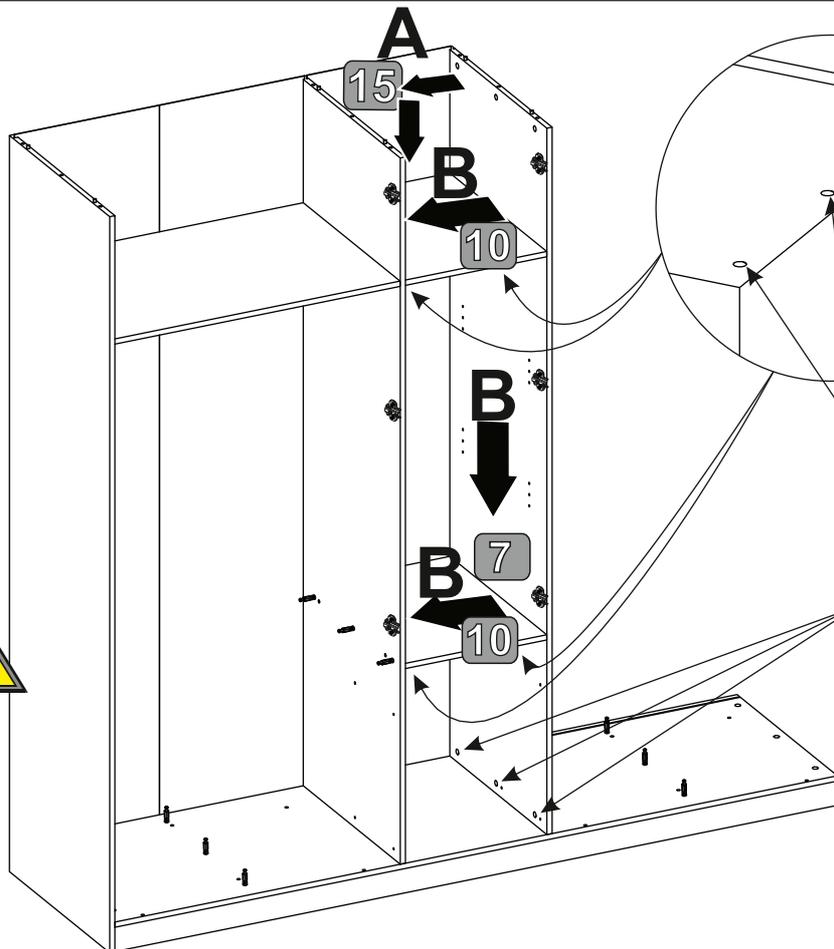
10



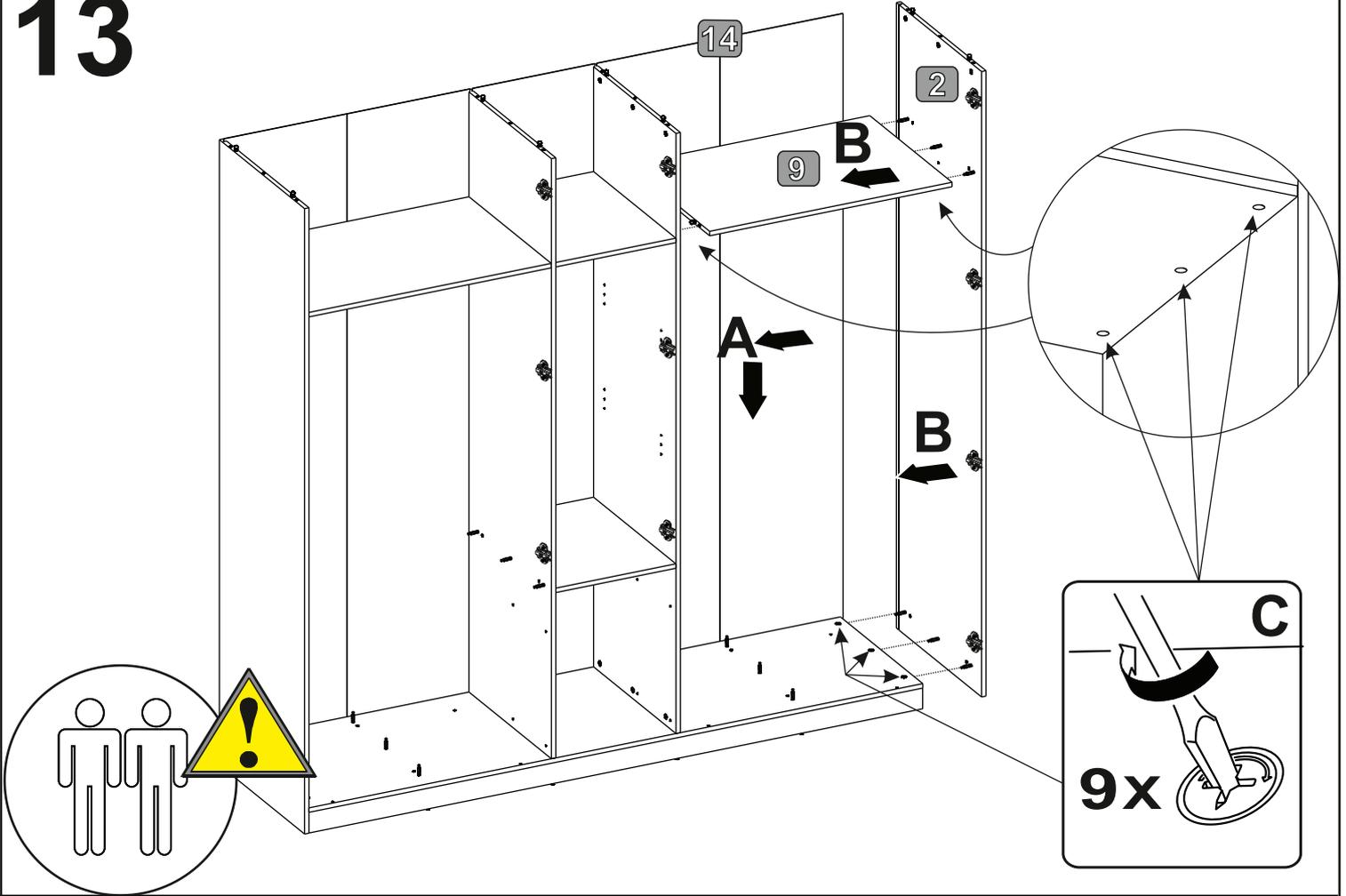
11



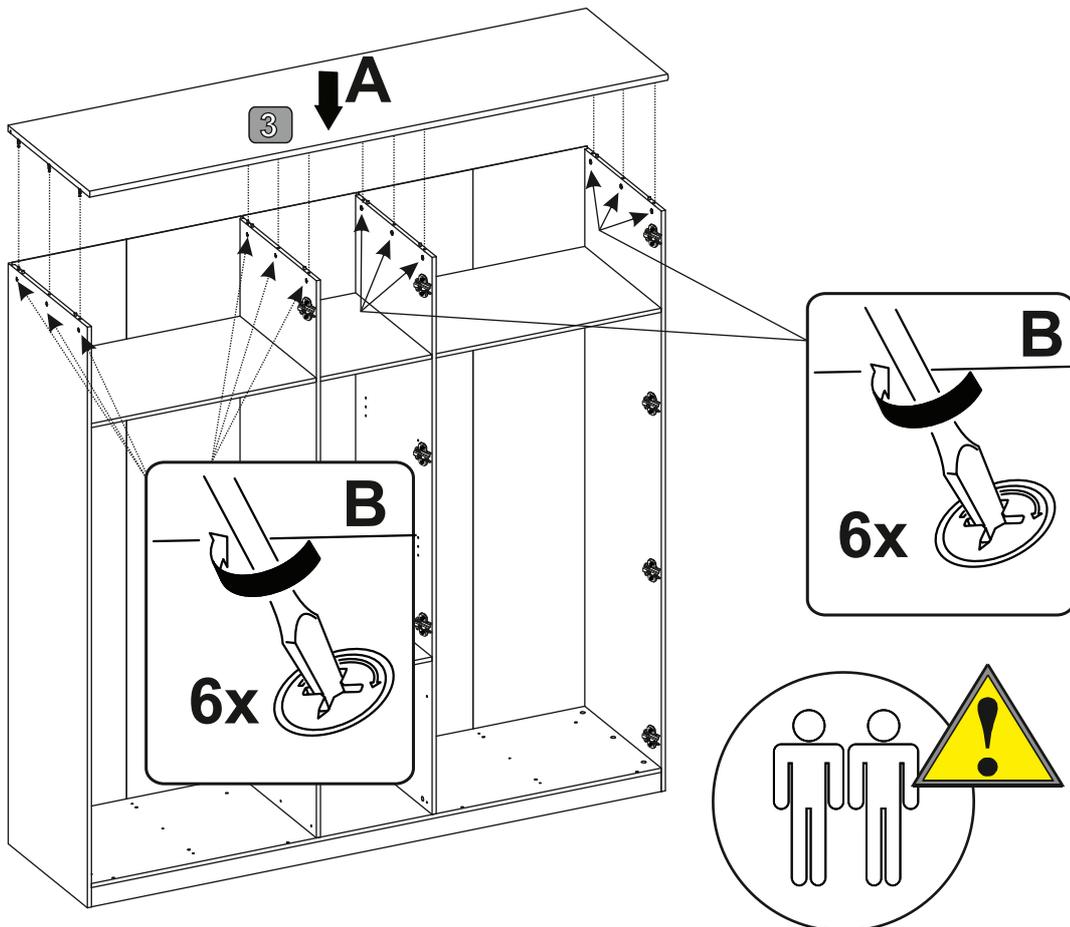
12



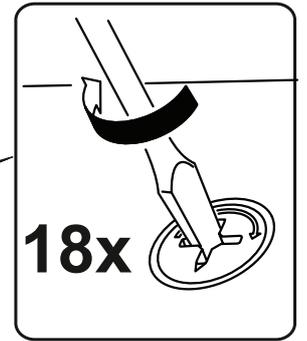
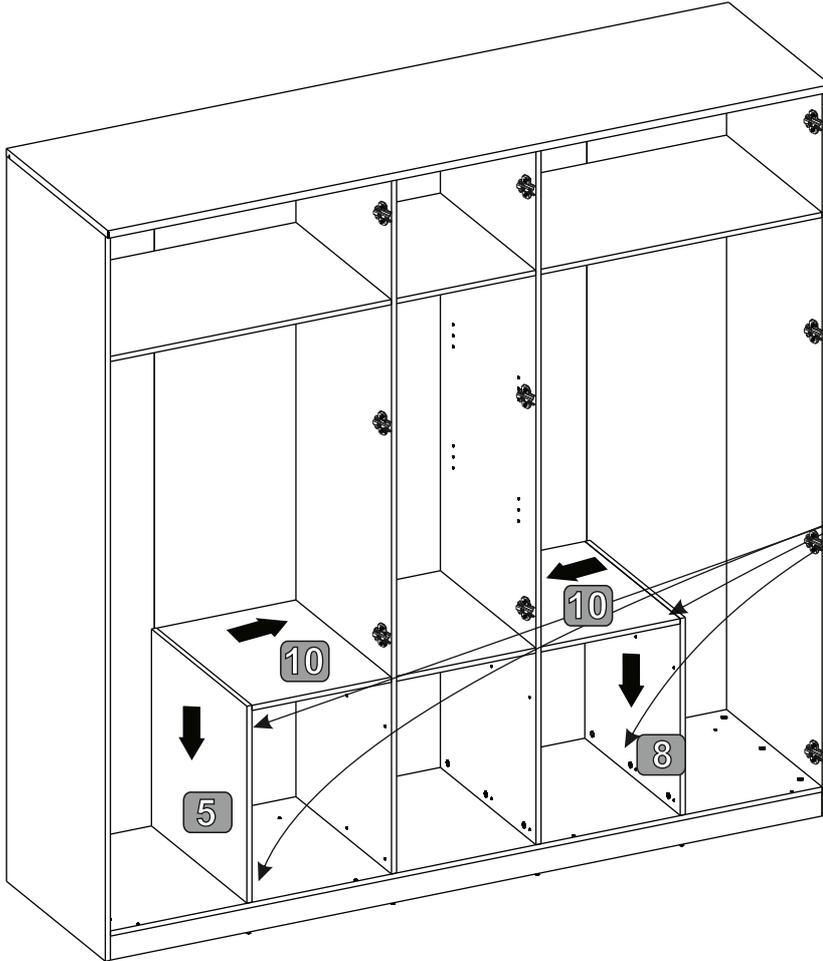
13



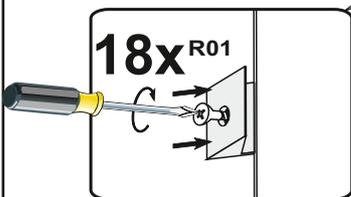
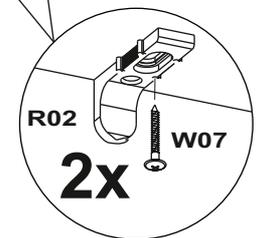
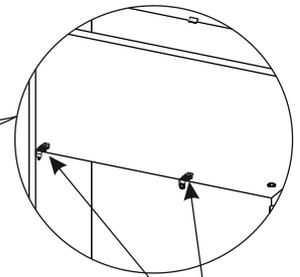
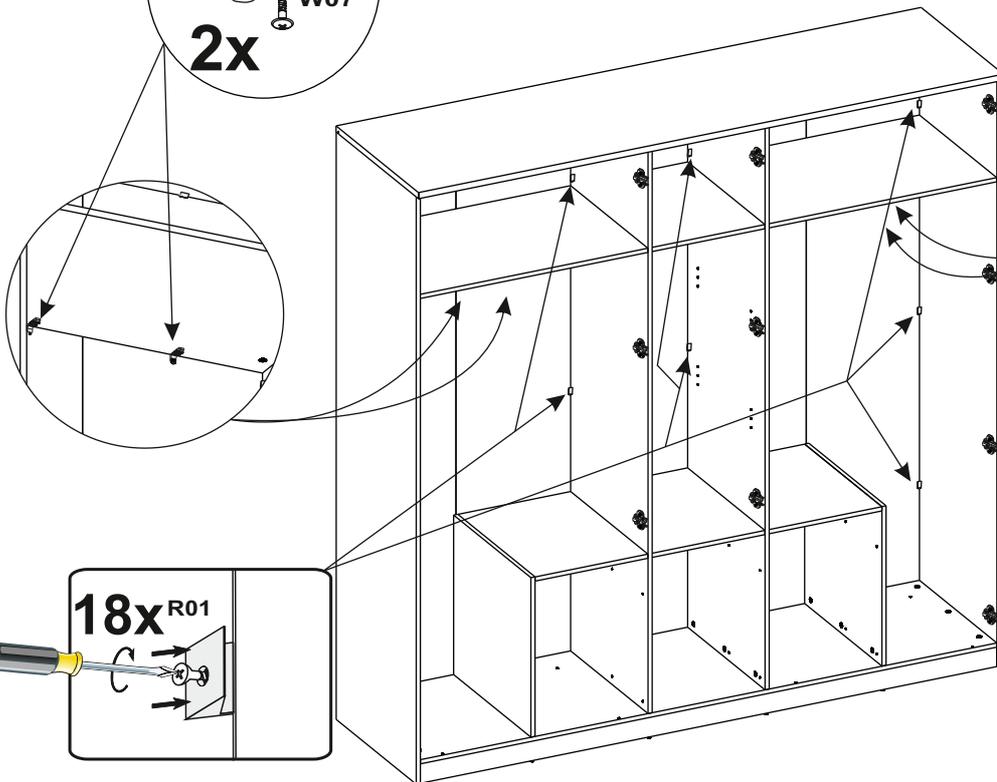
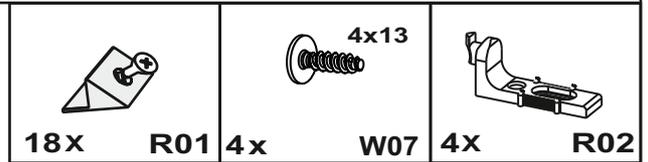
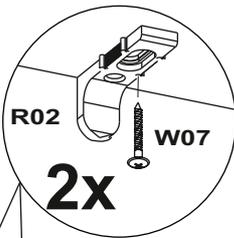
14



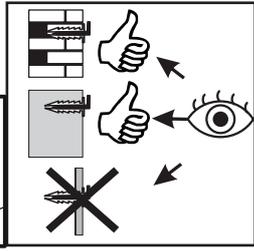
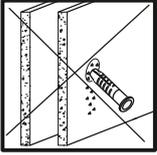
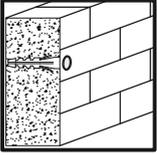
15



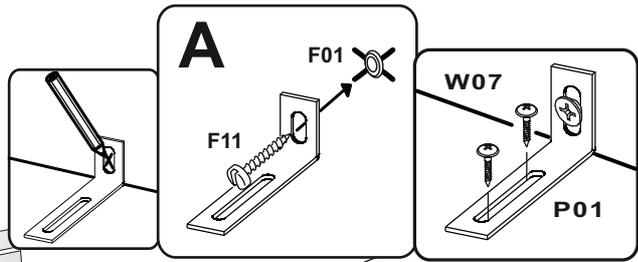
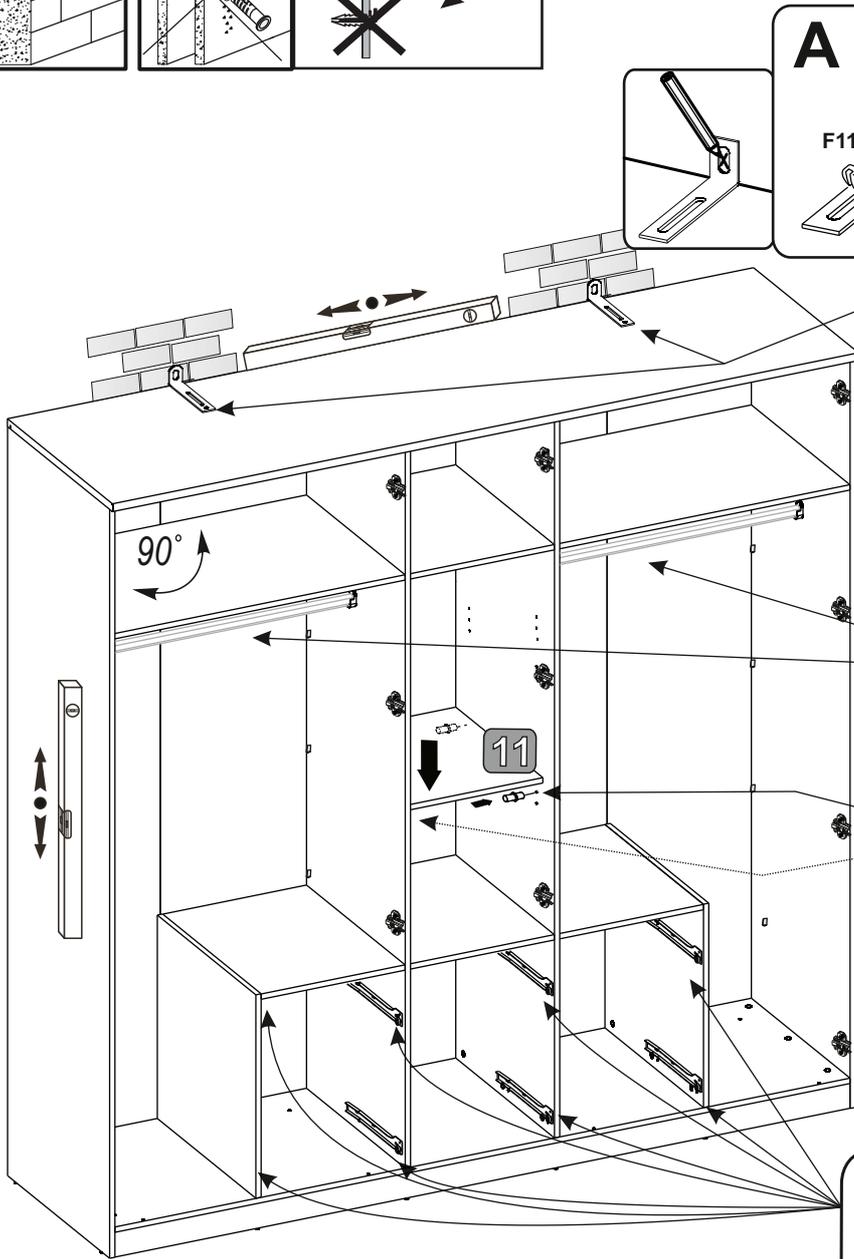
16



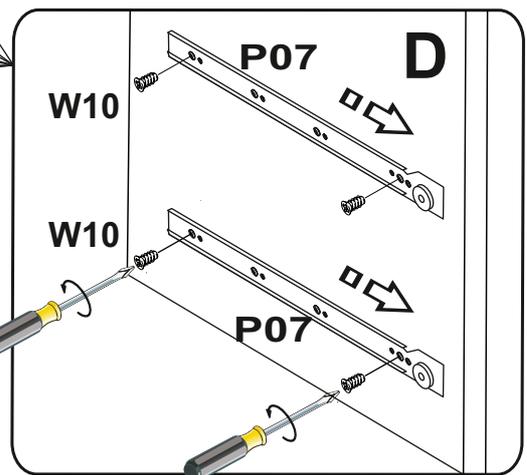
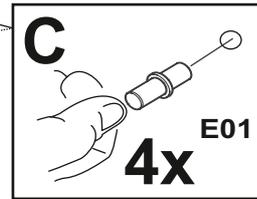
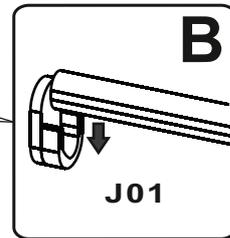
# 17



 6x L+P P07	 6x8 24x W10
 2x F11	 L-818 2x J01



 2x F01
 4x13 2x W07
 2x P01
 4x E01



# 18

	3,5x15			4x25							
2x		W01	1x		U11	10x		U02	20x		W05

