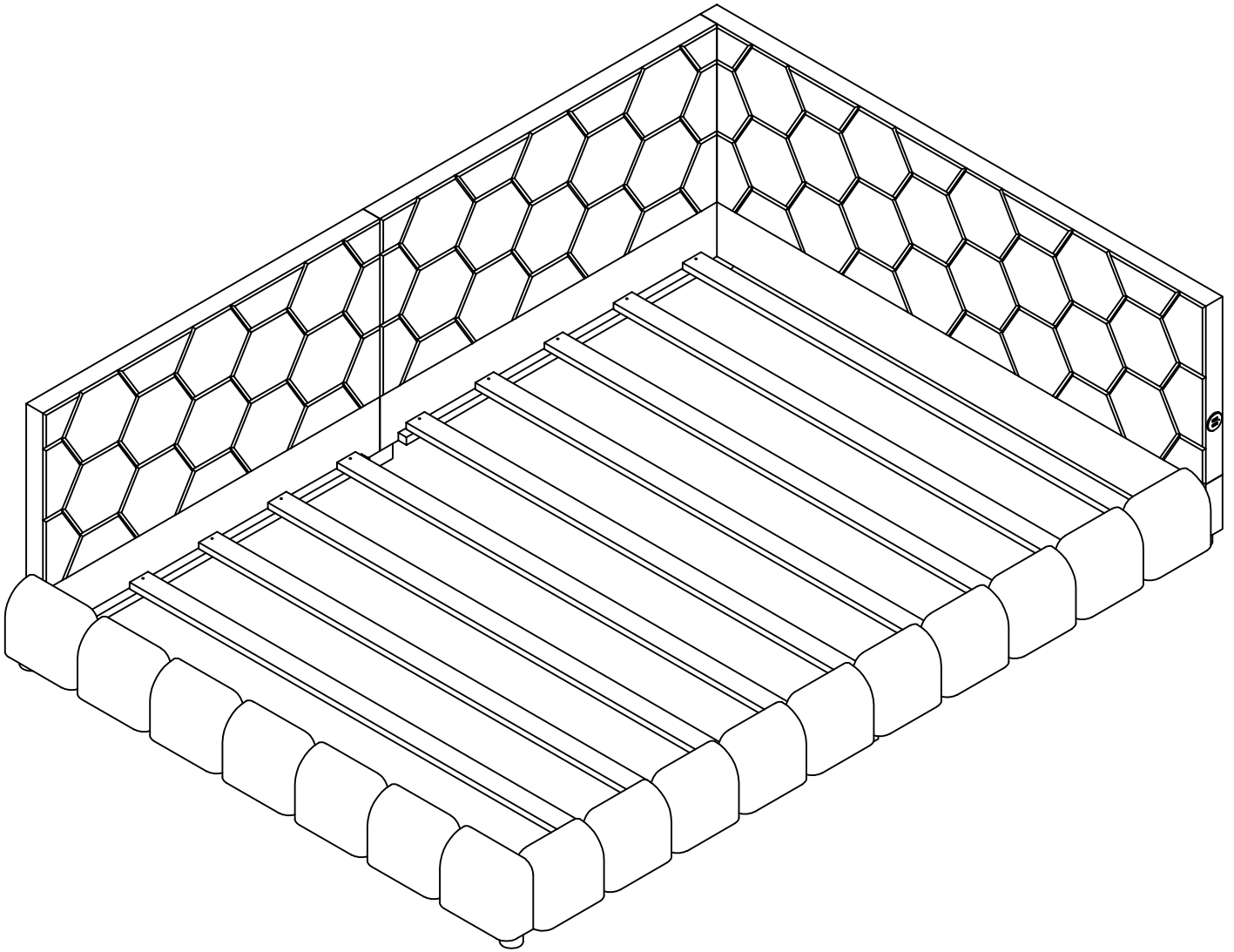
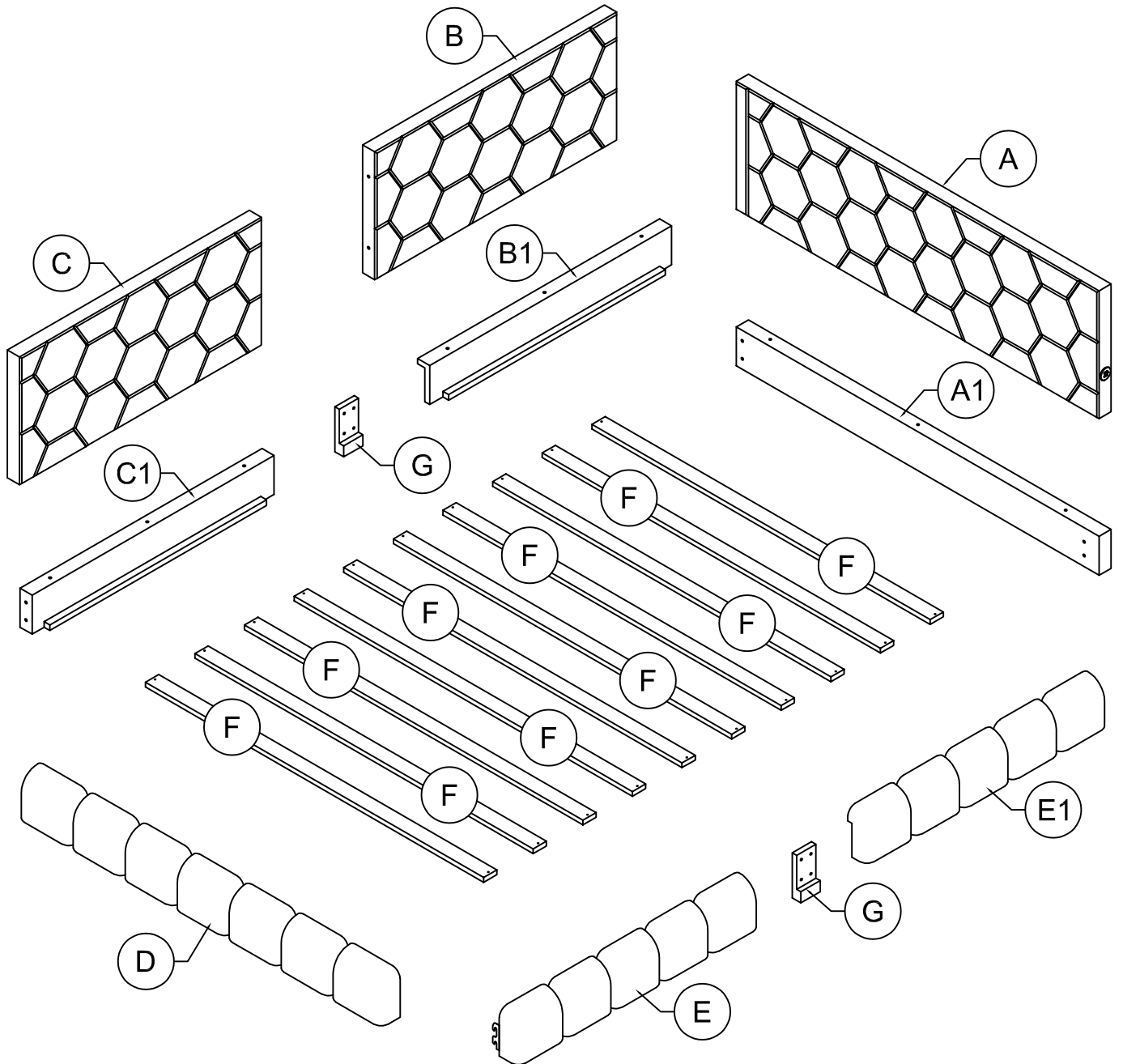


ASSEMBLY INSTRUCTION

SKU CODE: (WF322389/WF322390)

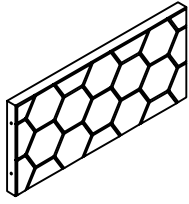


ASSEMBLY INSTRUCTION



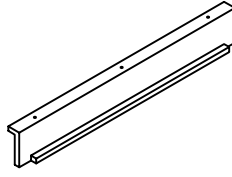
Part List (WF322389)

B



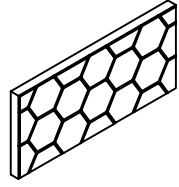
Top panel - 1pcs

B1



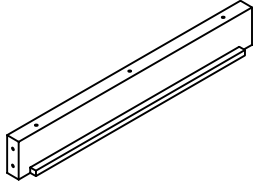
Back panel - 1pcs

C



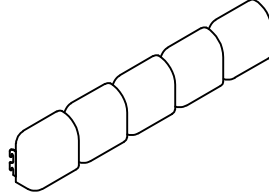
Top panel - 1pcs

C1



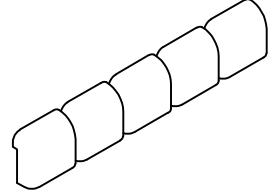
Back panel - 1pcs

E



Side rails - 1pcs

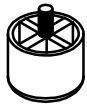
E1



Side rails - 1pcs

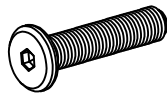
Hardware List (WF322389)

1



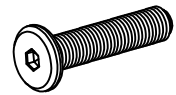
Plastic Feet(Ø50x40)
4pcs

2



1/4" x 30mm
Hex-Head bolts 12pcs

3



1/4" x 40mm
Hex-Head bolts 17pcs

4



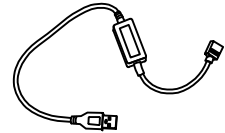
M4 x 30 mm
Wood Screws 20pcs

5

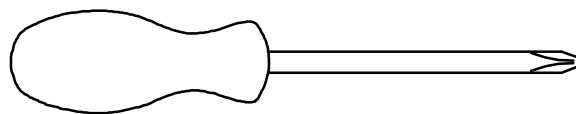


Allen Key 1pcs

6



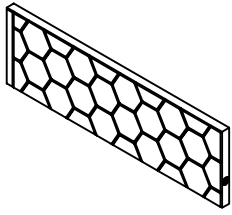
Connecting wire 1pcs



Assembly Tools Required (Not Included)

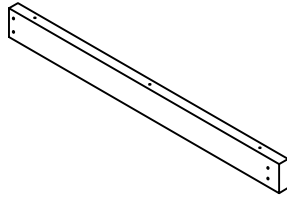
Part List (WF322390)

A



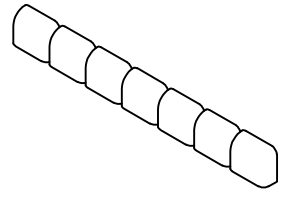
Top panel - 1pcs

A1



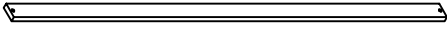
Back panel - 1pcs

D



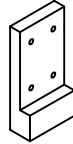
Foot board - 1pcs

F




Slats - 10pcs

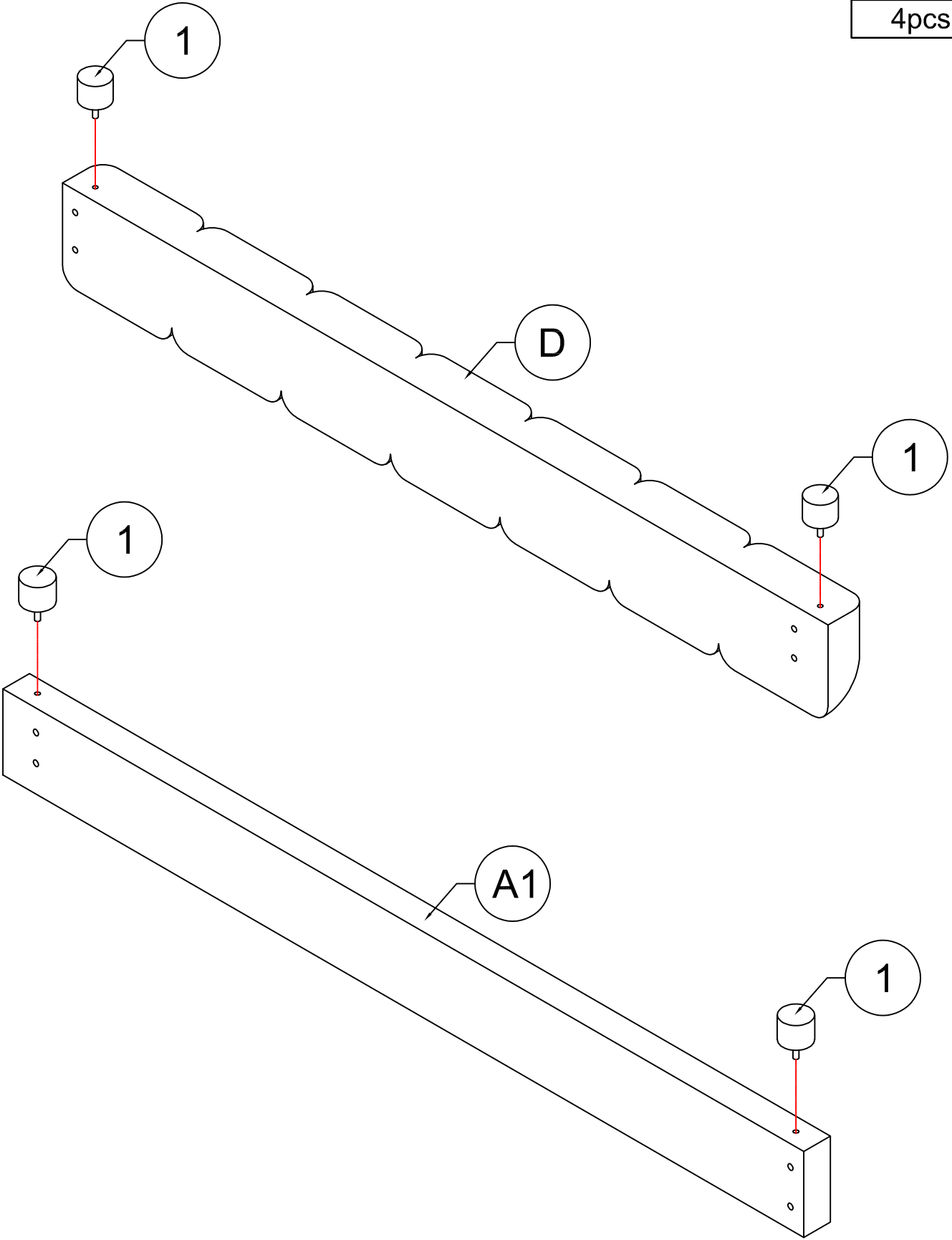
G



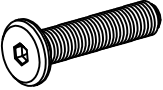
Legs support - 2pcs

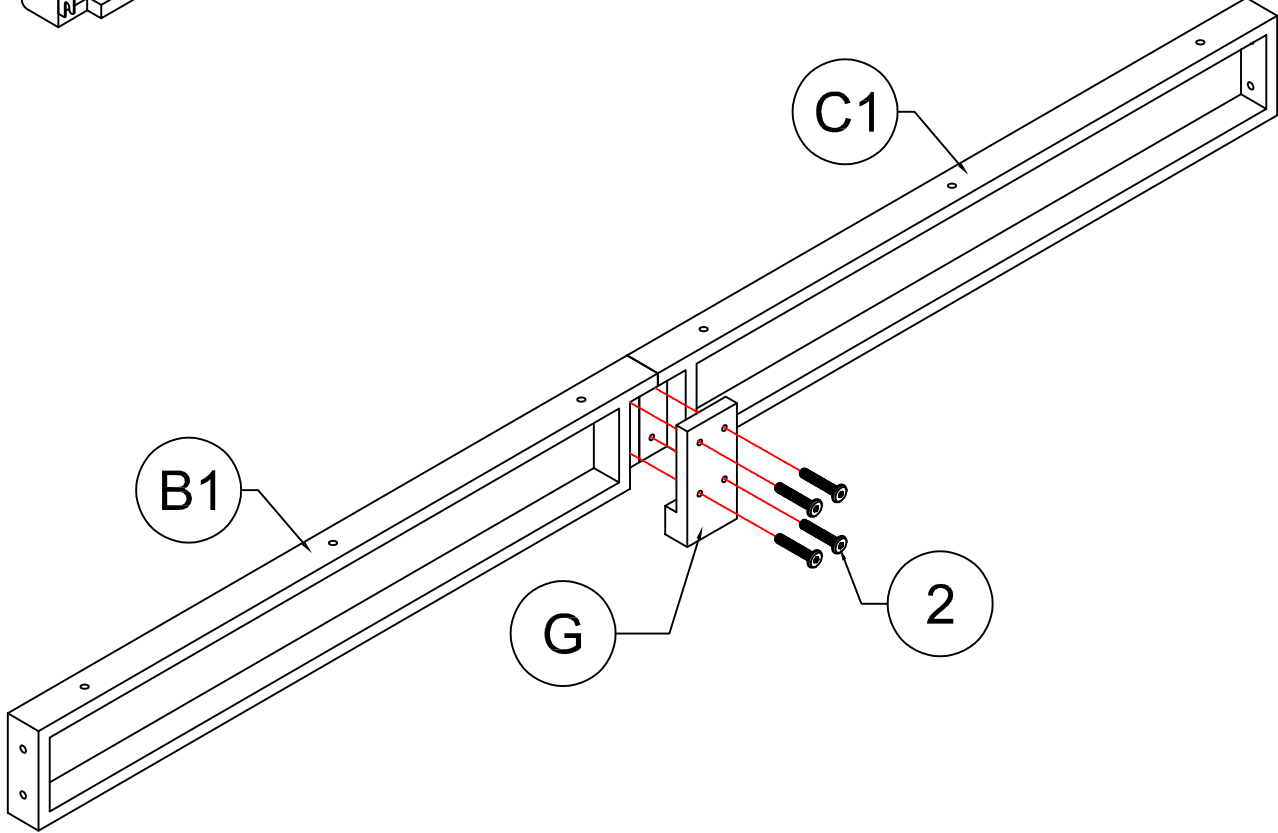
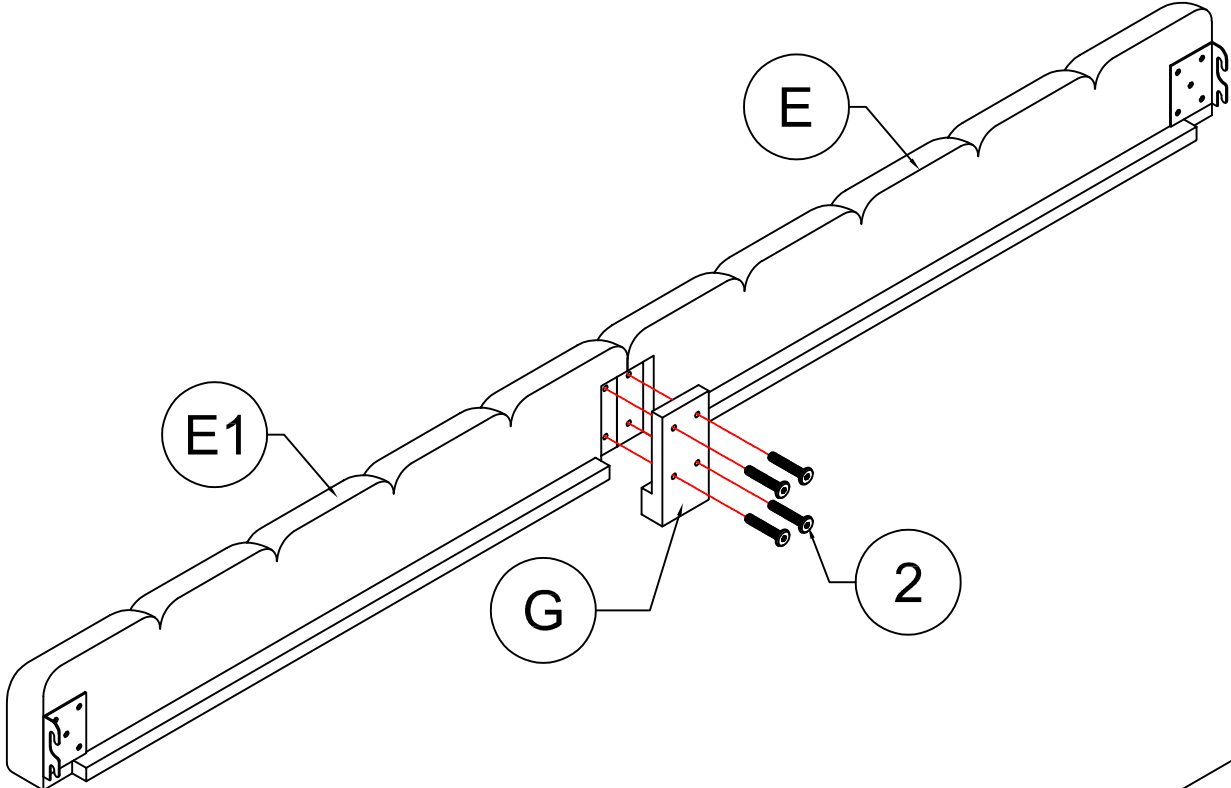
STEP 1: Following below illustration:

1	
4pcs	

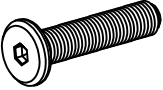


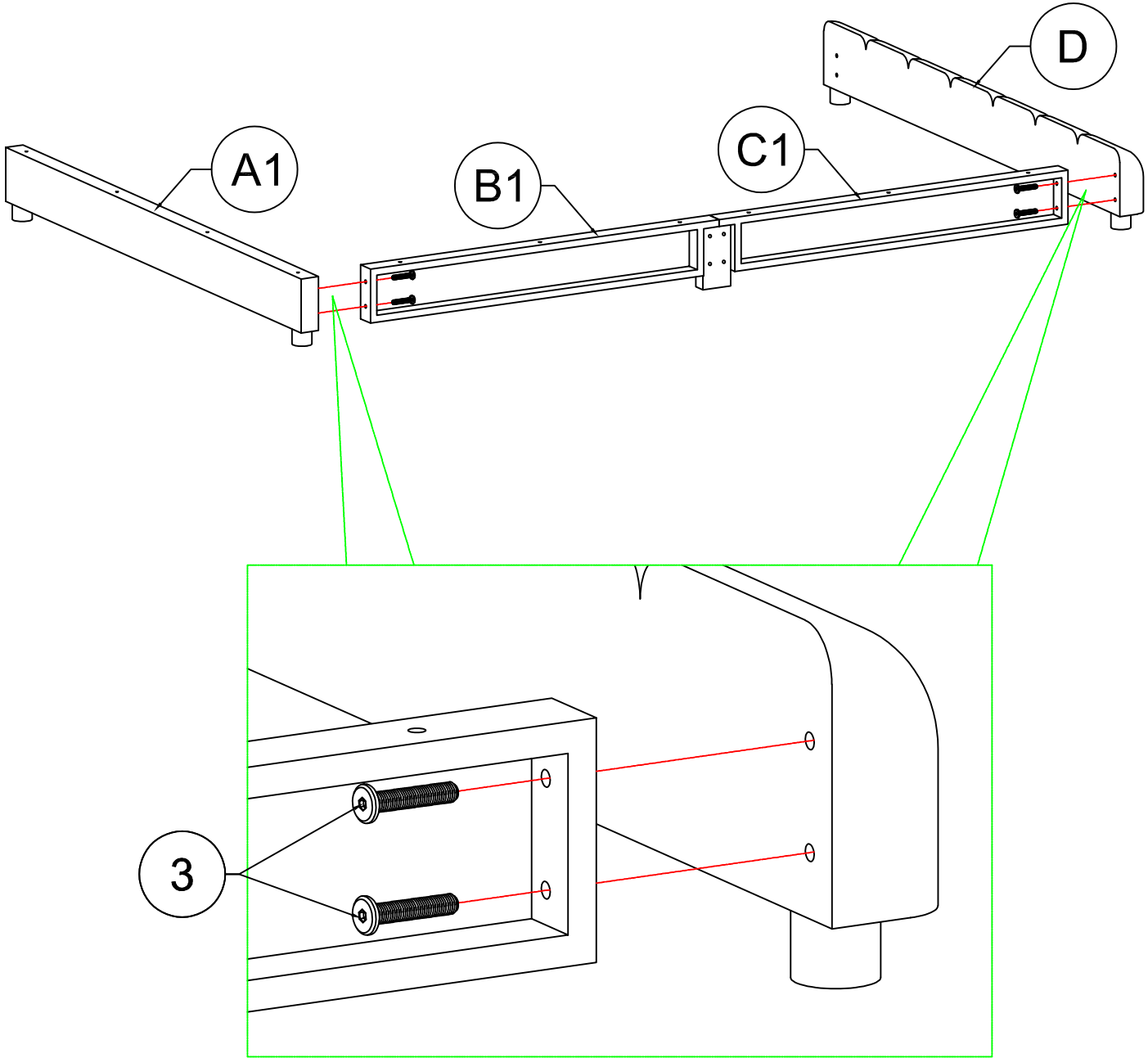
STEP 2: Following below illustration:

2

8pcs



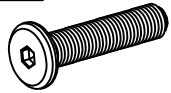
STEP 3: Following below illustration:

3

4pcs



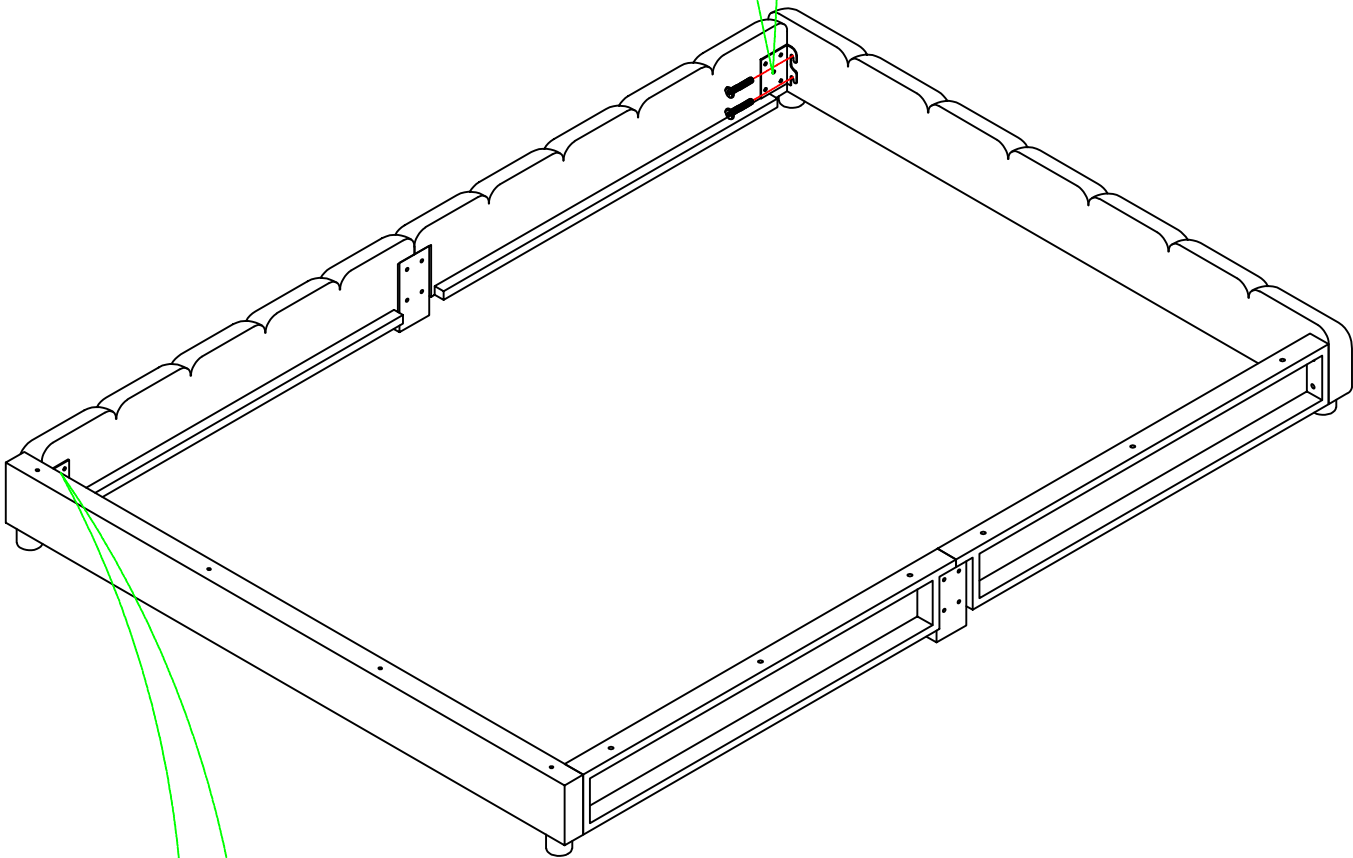
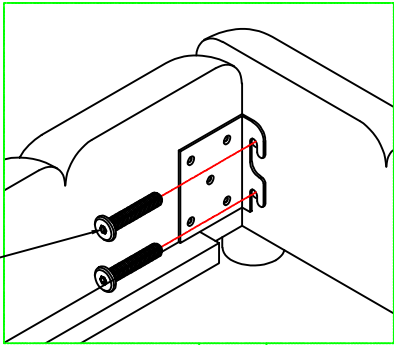
STEP 4: Following below illustration:

2

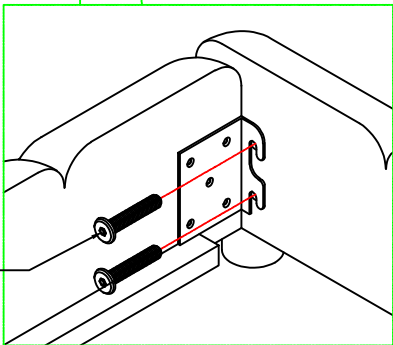


4pcs

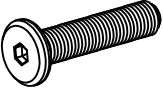
2

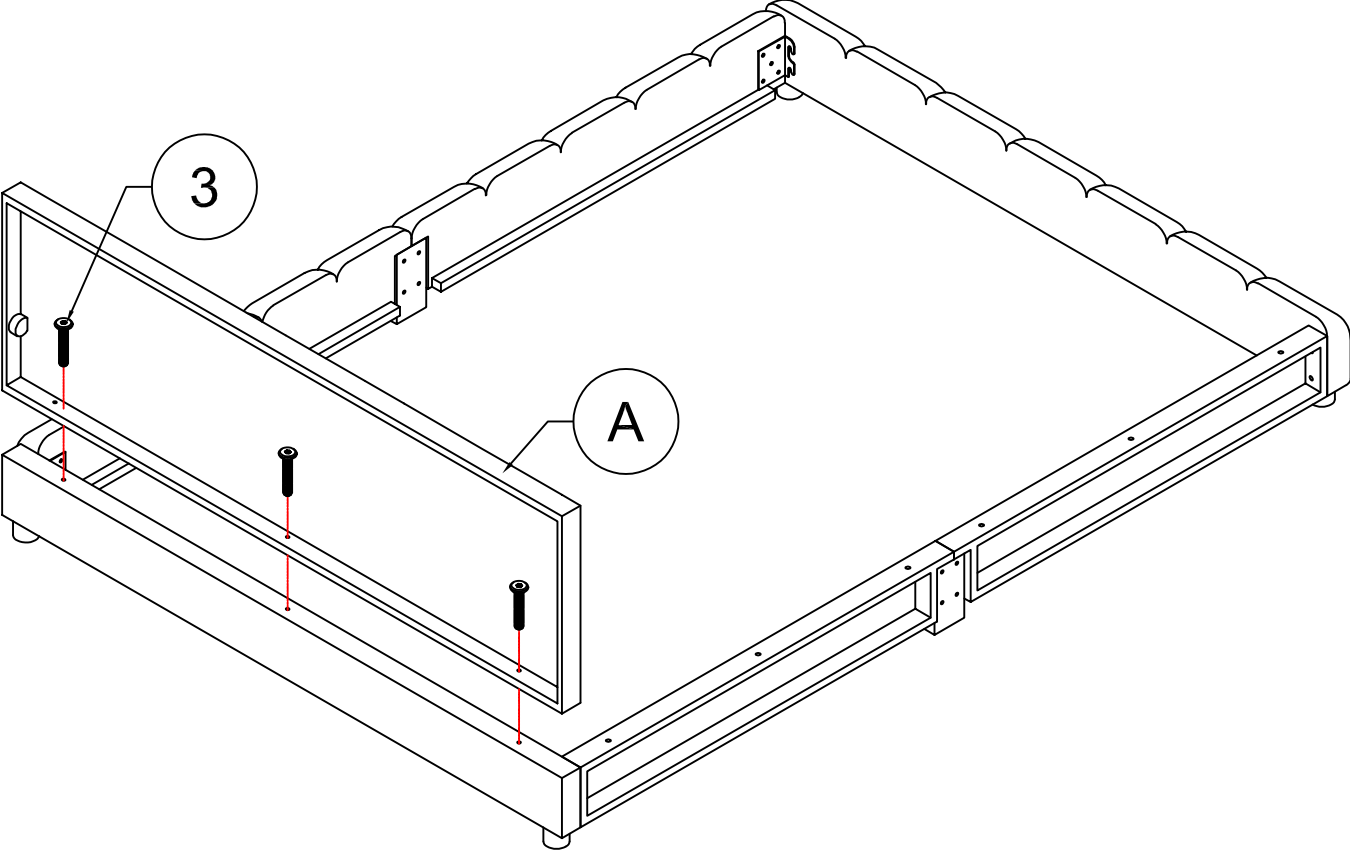


2

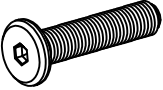


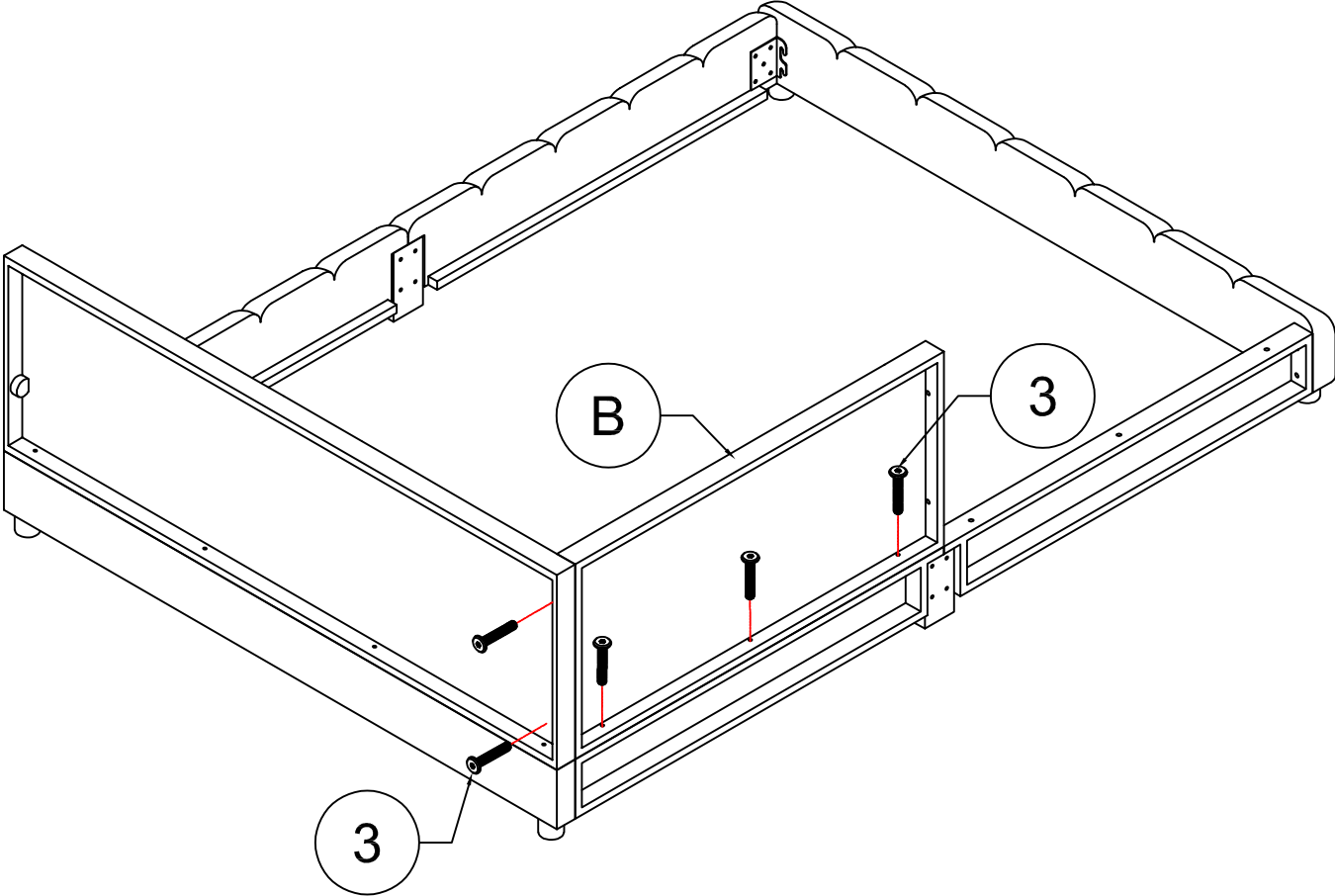
STEP 5: Following below illustration:

3

3pcs

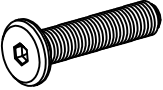


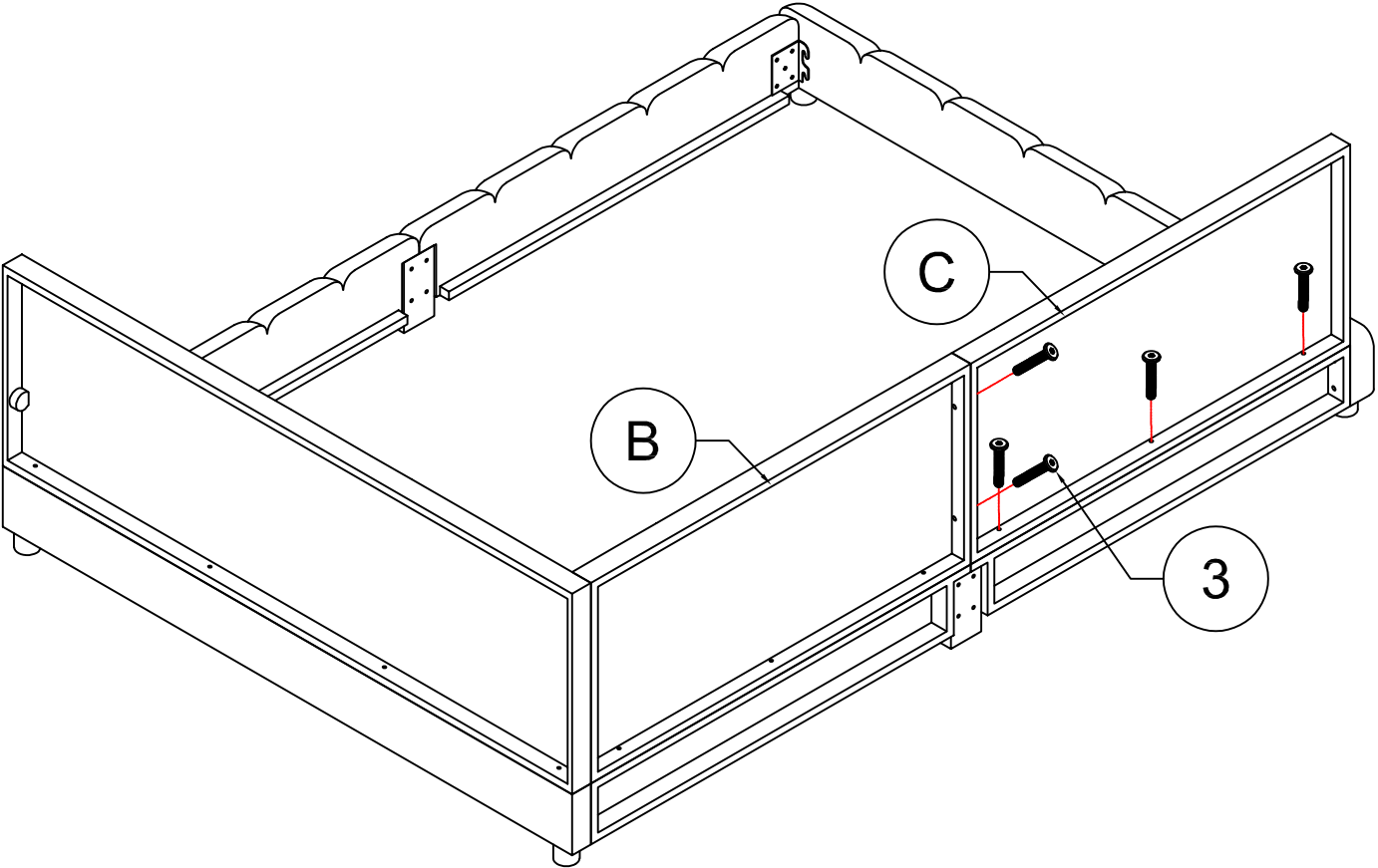
STEP 6: Following below illustration:

3

5pcs

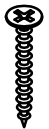


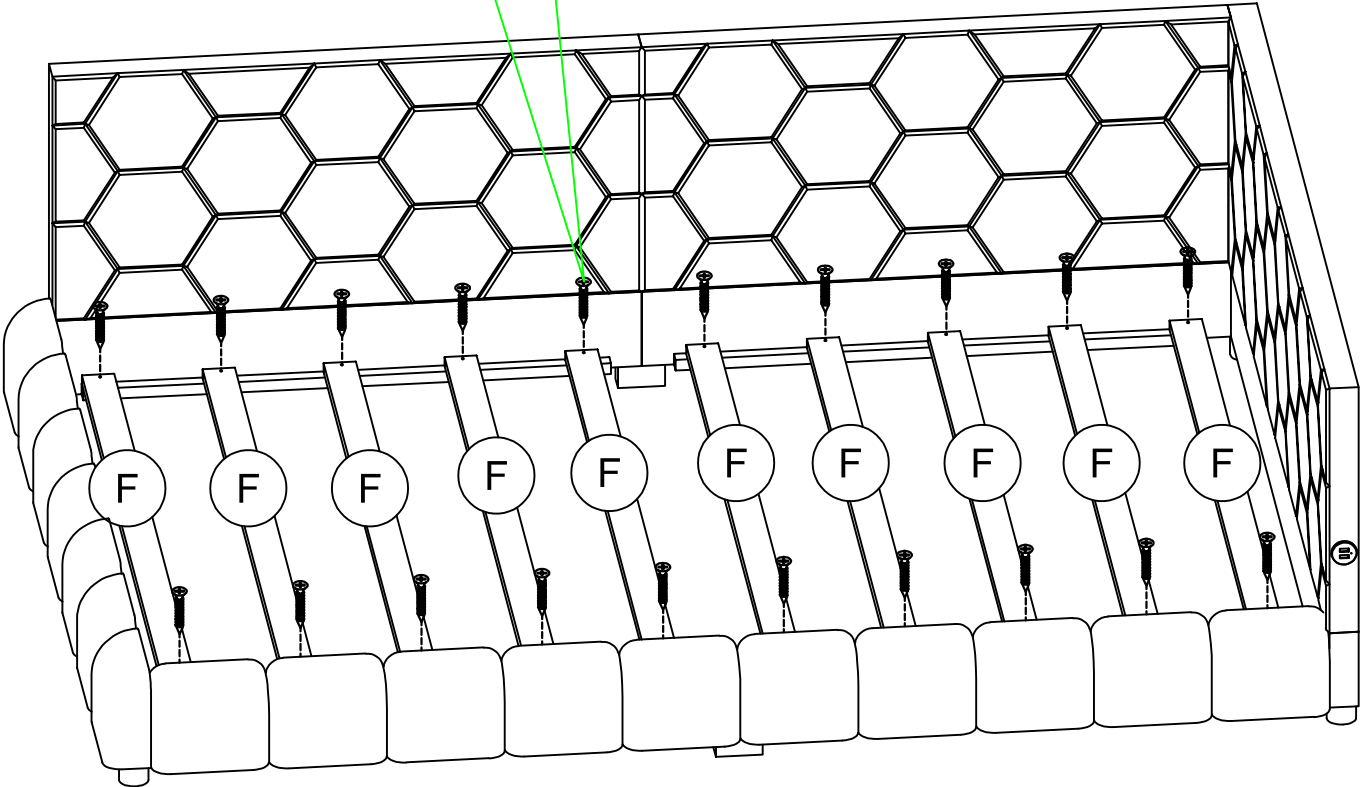
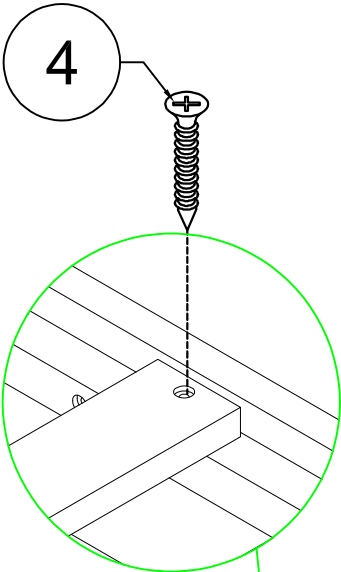
STEP 7: Following below illustration:

3

5pcs

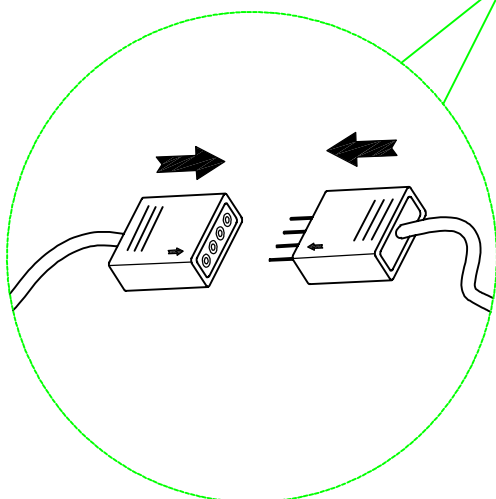
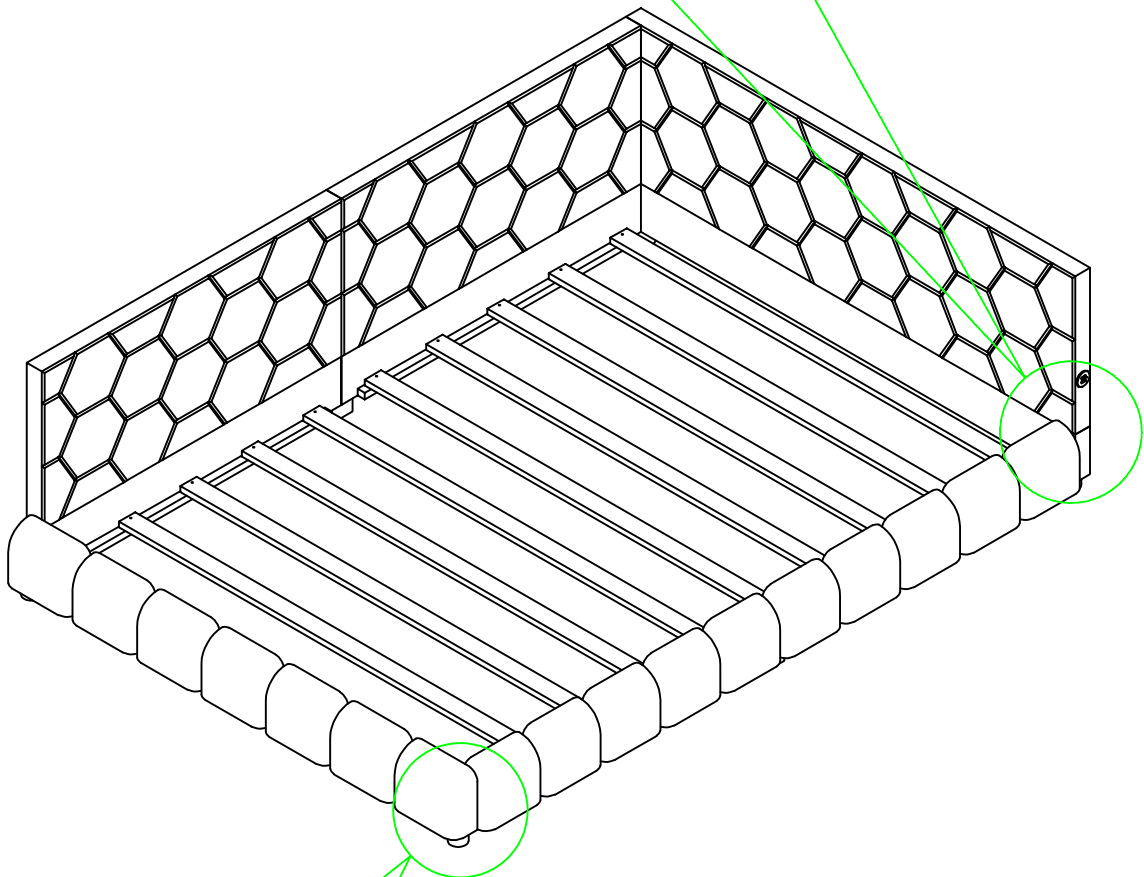
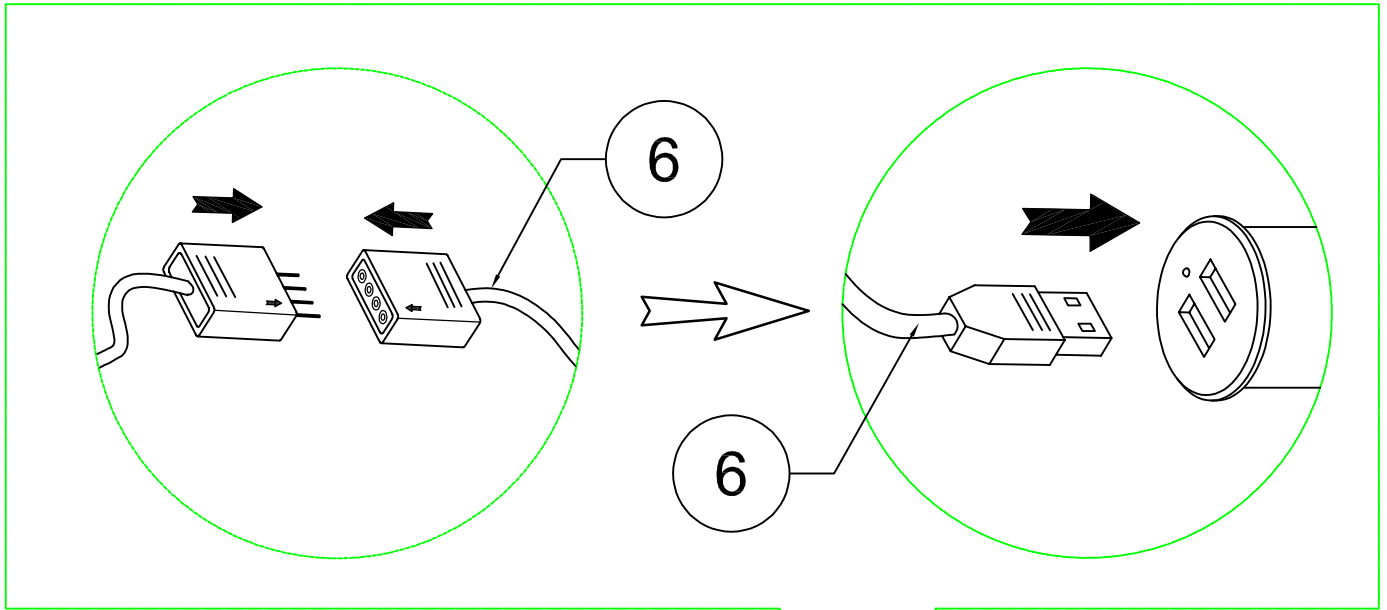


STEP 8: Following below illustration:

4	
20pcs	



Instructions for connecting LED lights



FINISH

