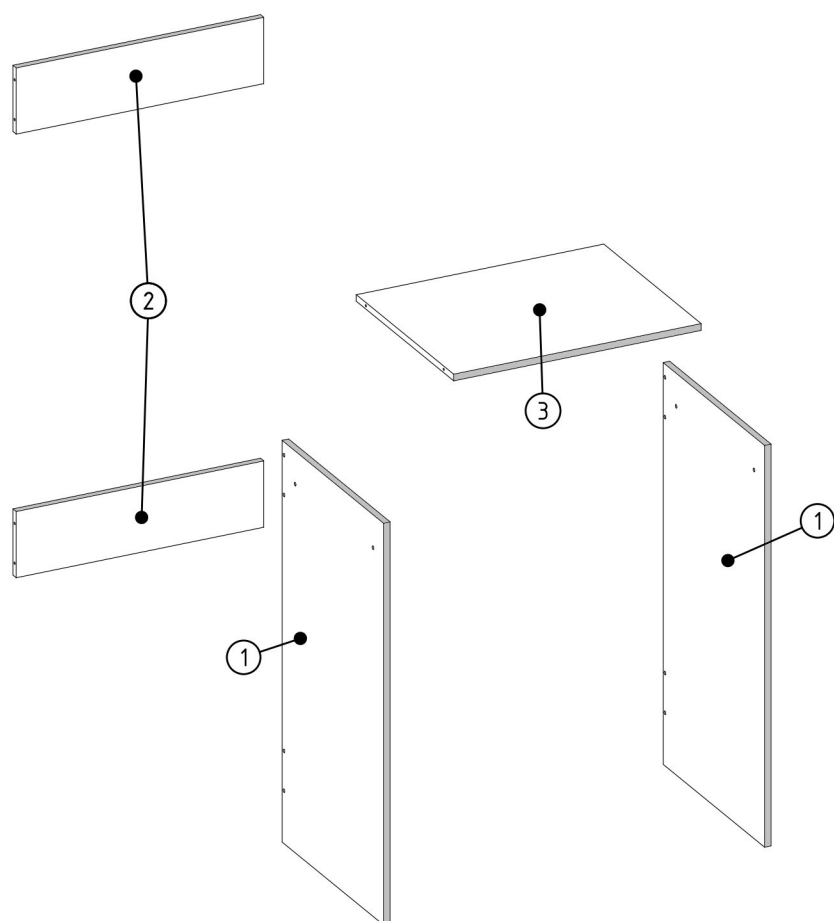
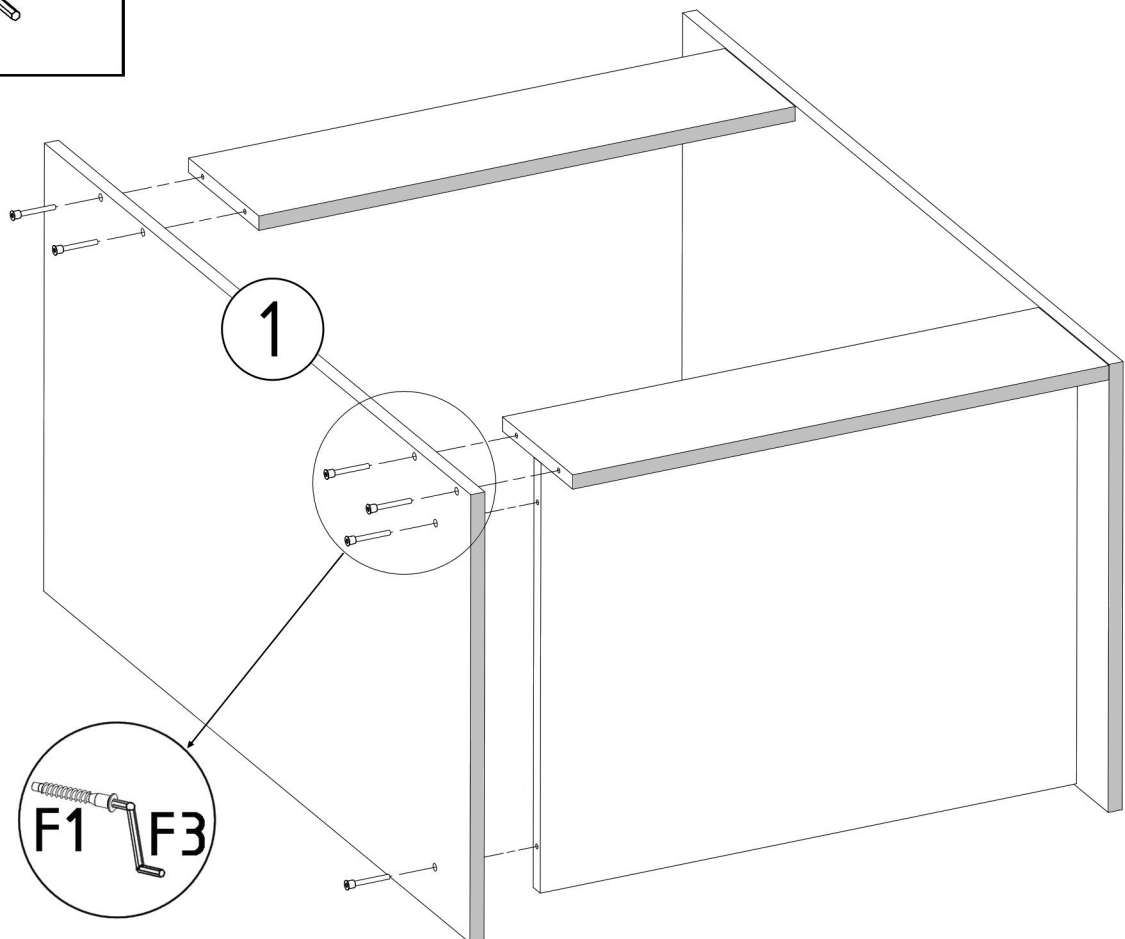
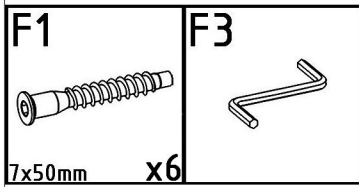
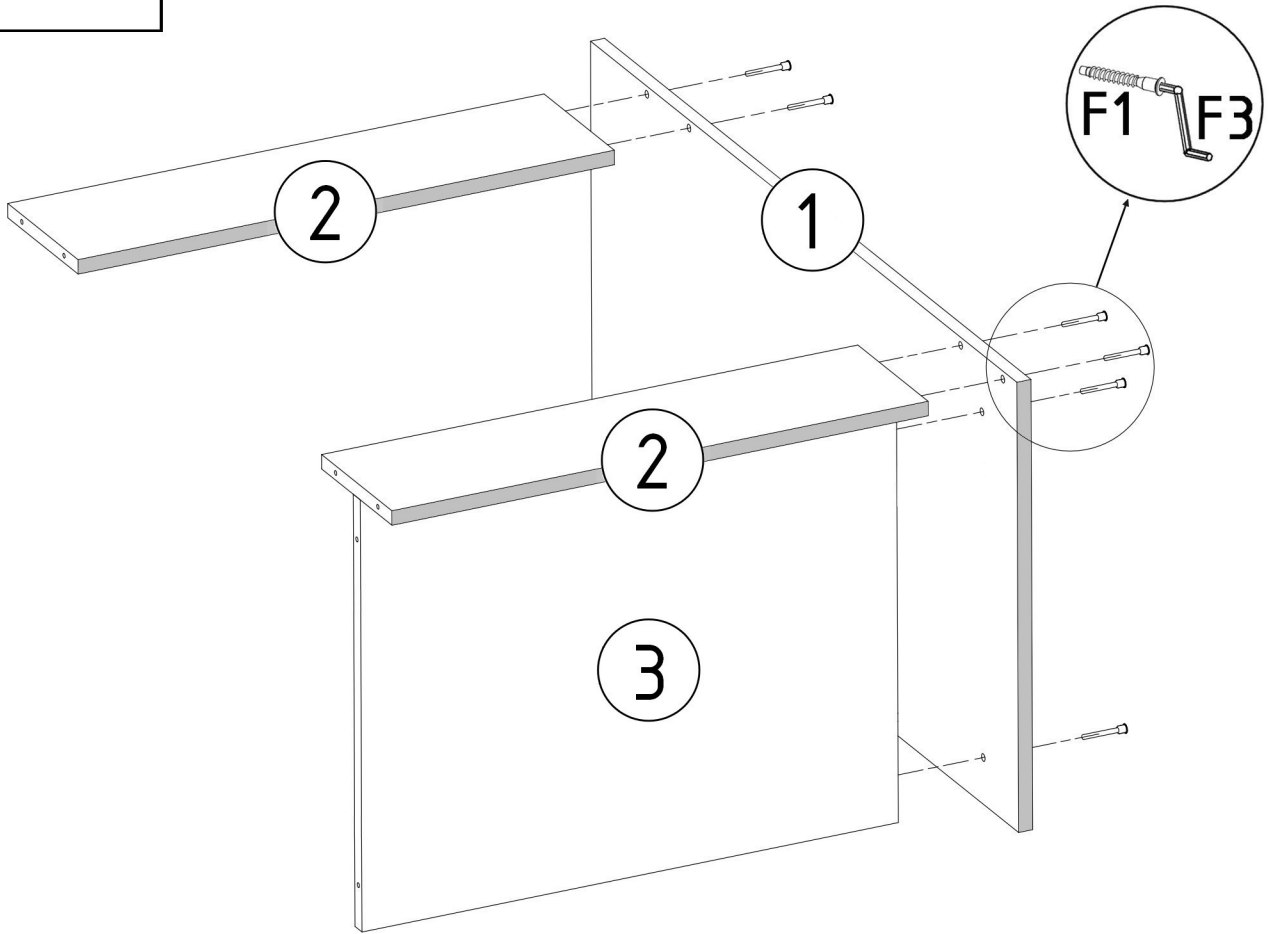
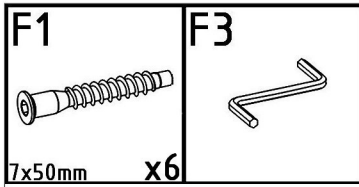

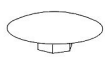


T1	B2	B2	B2	F1	F3
x4	^{S-A} ø12/5mm	x12 ^B ø12/5mm	x12 ^{Ant} ø12/5mm	x12 ^{7x50mm}	x12



1	x	2
2	x	2
3	x	1



T1 	B2 
x4 ∅12/5mm x12	

