

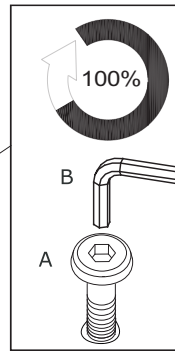
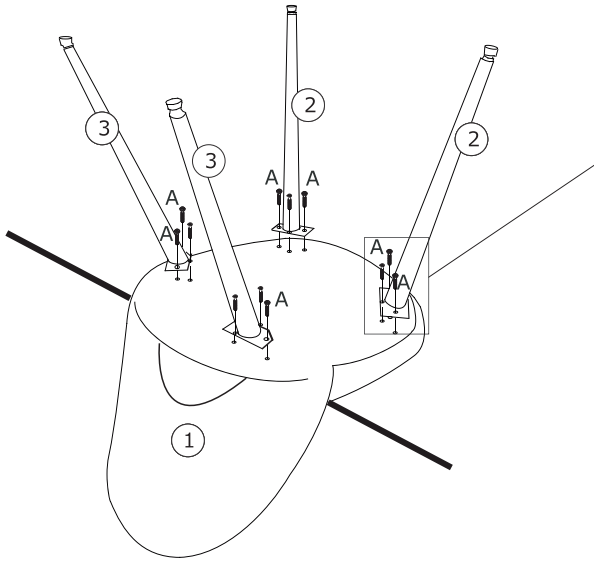
WF313385

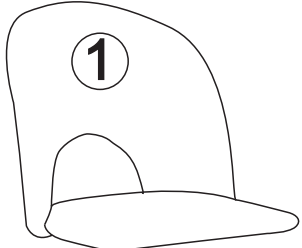
ASSEMBLY INSTRUCTION

INSTALLATIONSANLEITUNG


INSTRUCTIONS D'INSTALLATION

ELEMENTS/PARTS	Ax12  M6X25mm	Bx1  M6
----------------	---	---

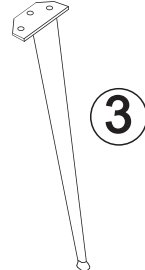




1



2



3

Front Legs x2
Die Vorderbeine des Stuhls x2
Les pattes avant de la chaise x2

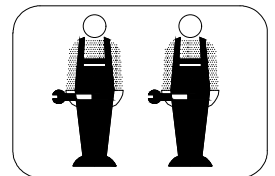
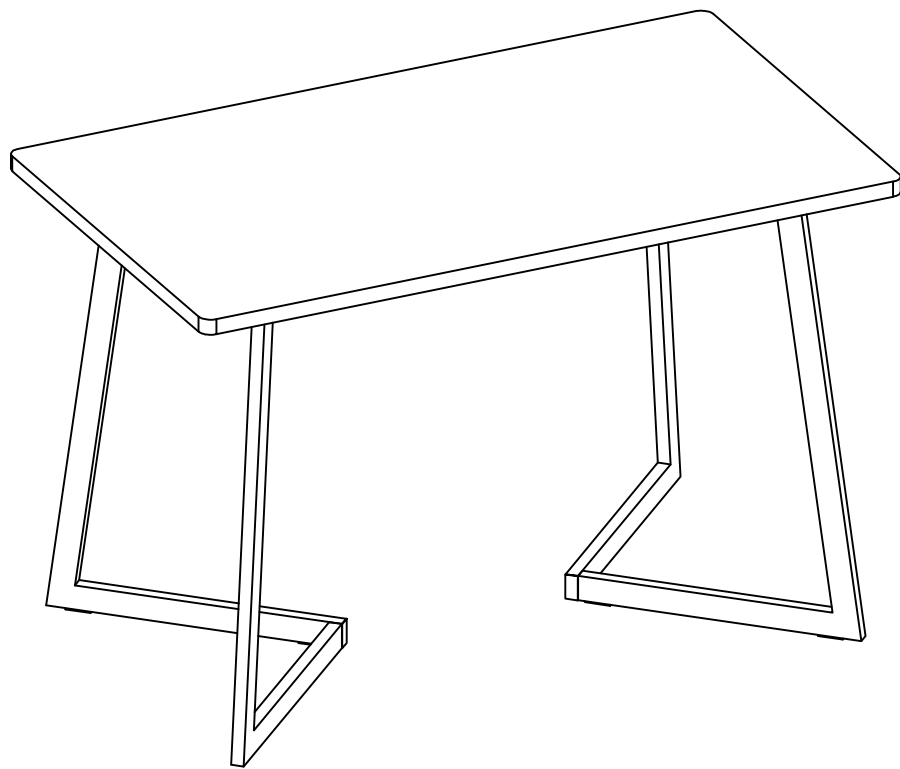
Back Legs x2
Die Hinterbeine des Stuhls x2
Pieds arrière de la chaise x2

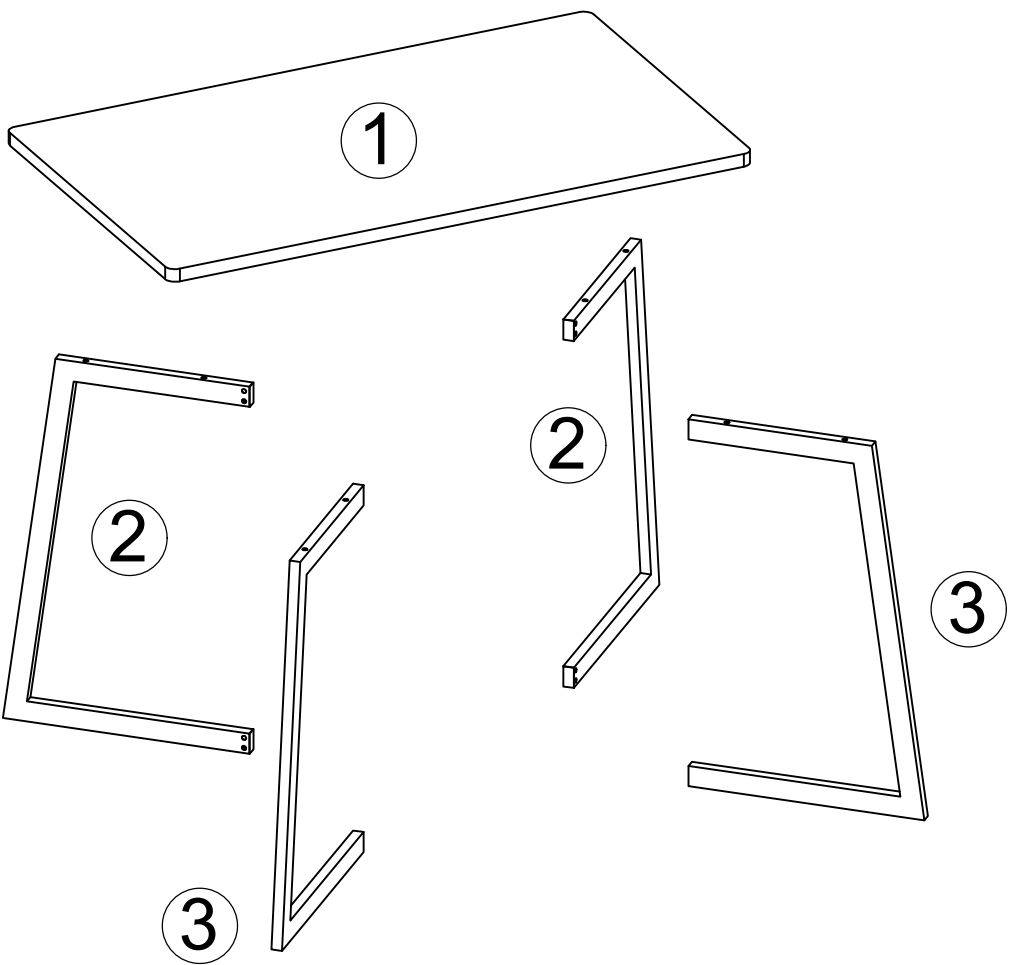


ASSEMBLY INSTRUCTIONS

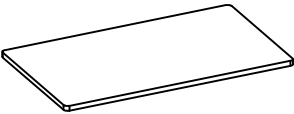


MONTAGEANLEITUNGEN

WF313357AA0/AAS






Part List
Stückliste

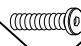
		
①×1pc	②×2pcs	③×2pcs

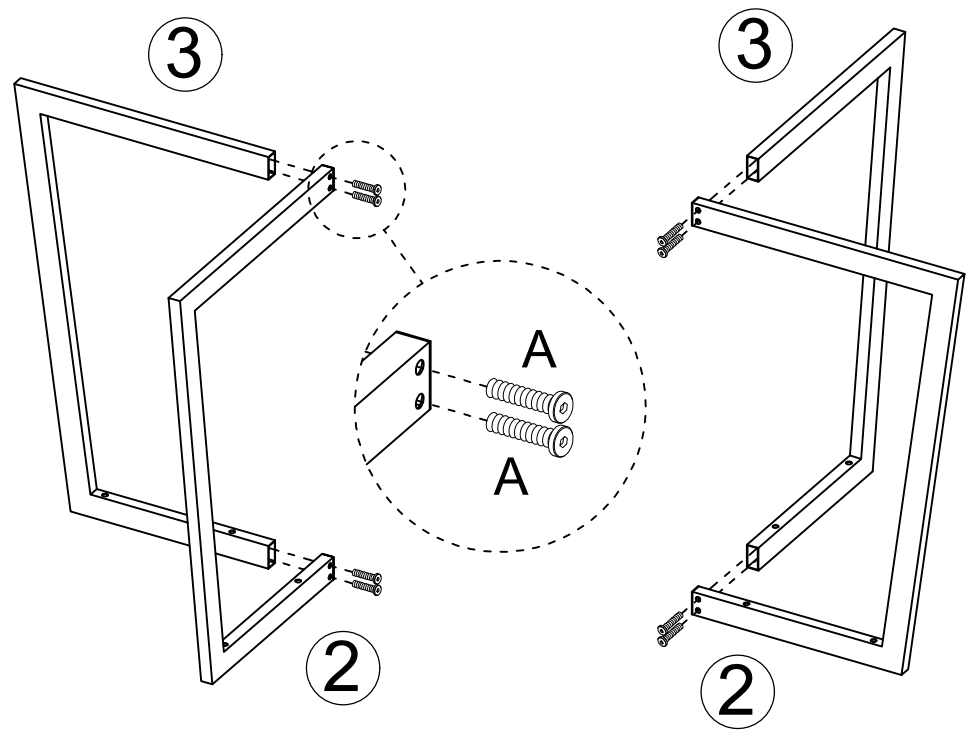
Hardware List
Hardwareliste

 M6×40mm	 M6×55mm		
Ⓐ×8pcs	Ⓑ×8pcs	Ⓒ×8pcs	Ⓓ×1pc


Step 1 Schritt 1



M6×40mm
Ⓐ ×8pcs

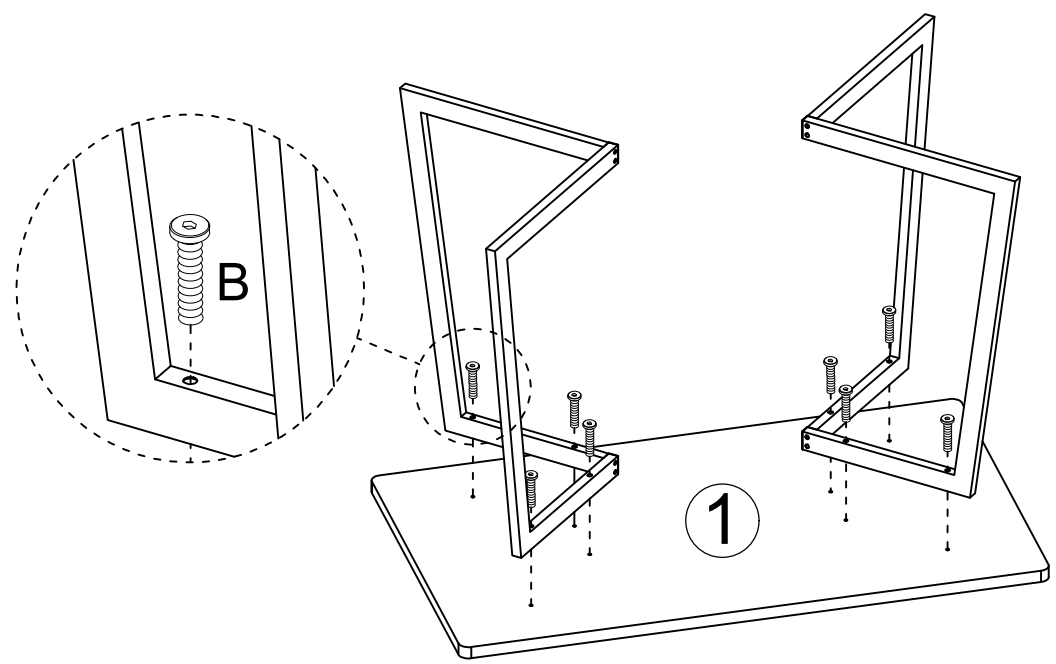
~~
M6×55mm
Ⓑ~~



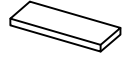
Step 2 Schritt 2


M6×55mm
Ⓑ ×8pcs

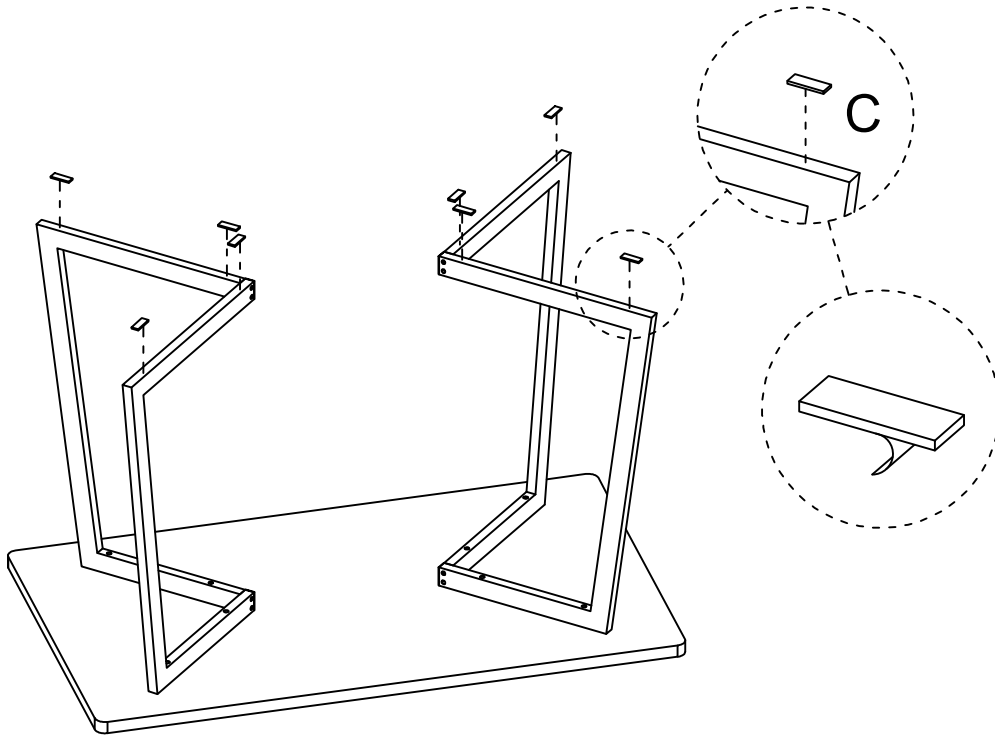
~~
M6×40mm
Ⓐ~~



Step 3
Schritt 3



C × 8 pcs



Step 4
Schritt 4

