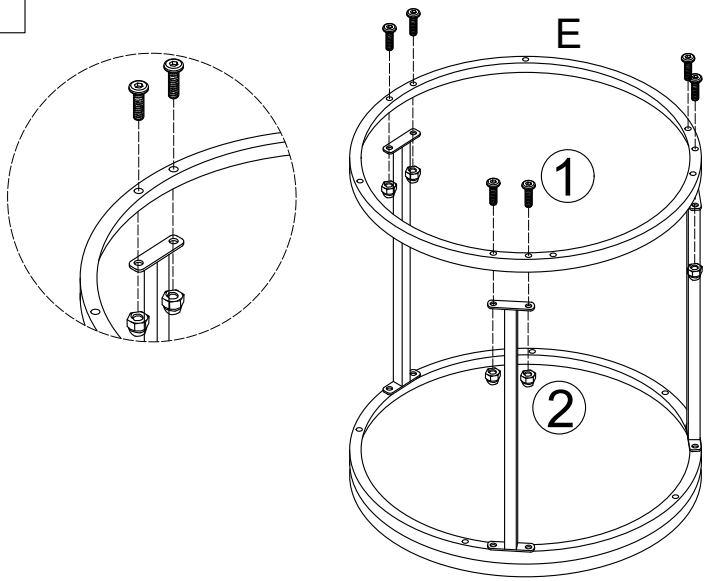



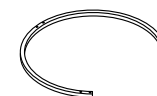

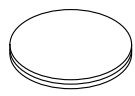

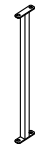
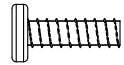
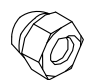


5

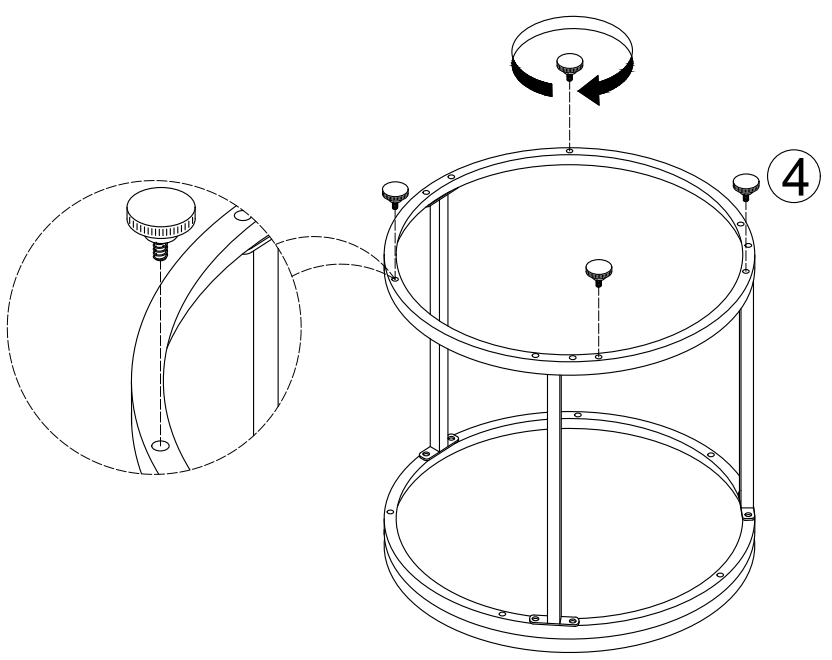



- ①  ×6
- ②  ×6

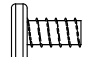
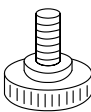


			
A ×1	B ×1	C ×3	D ×1

		 M6×28mm	
E ×1	F ×3	① ×12	② ×12

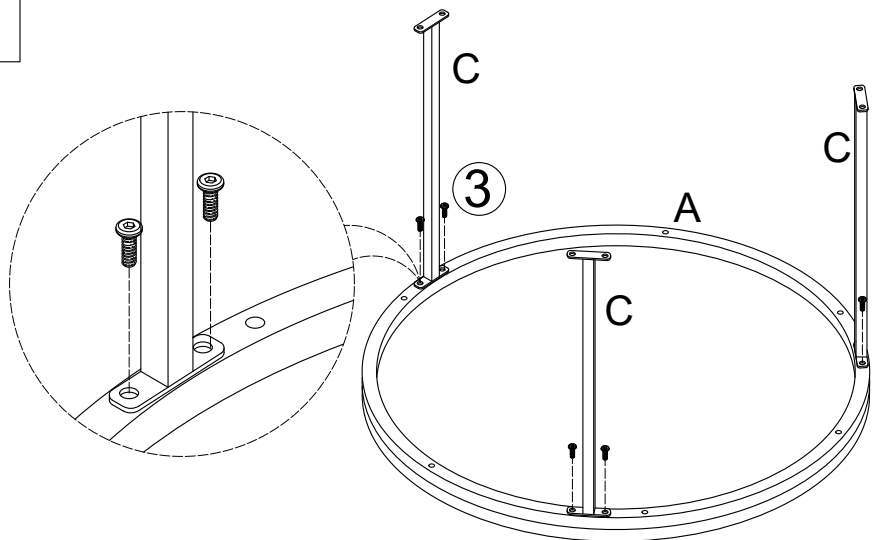
6



- ④  ×4

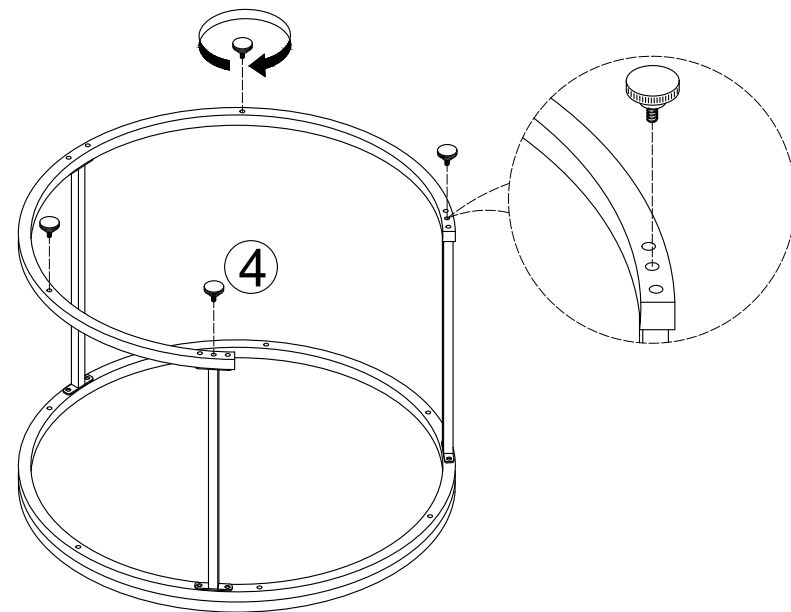
 M6×12mm	 φ19×M6	 M4	
③ ×12	④ ×8	⑤ ×1	⑥ ×1

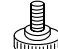
1



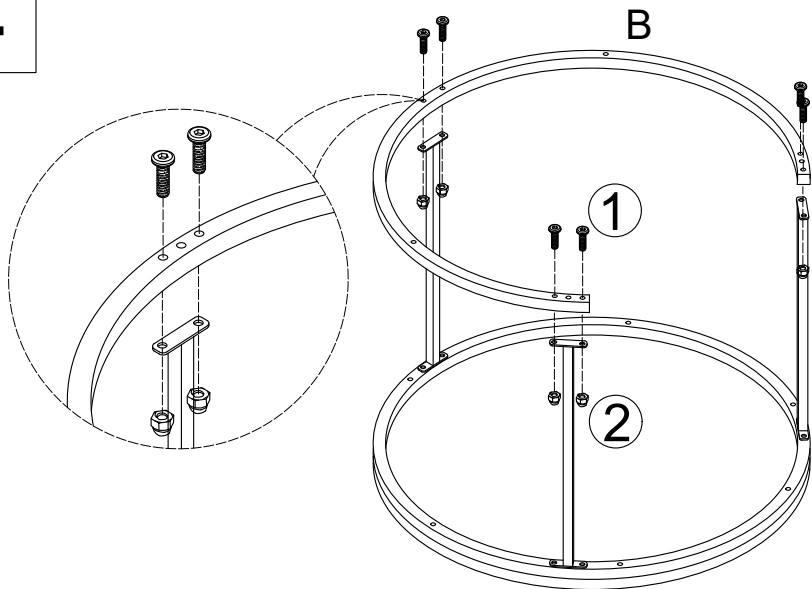
③  ×6

3



④  ×4

2

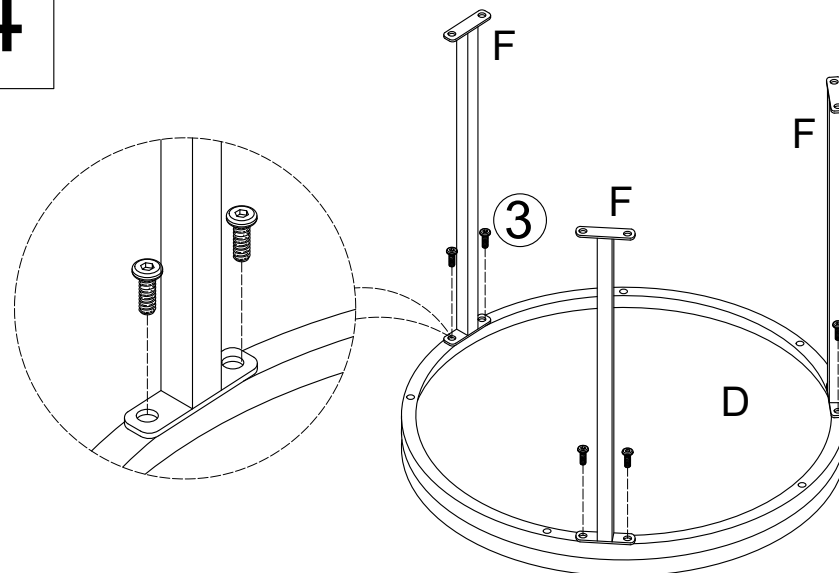


①  ×6

②  ×6

|4|

4



|5|

③  ×6