

cherub[®]

WMT-230

Rechargeable Metro-Tuner



Vocal count
metronome



Four metronome
sounds



Rechargeable

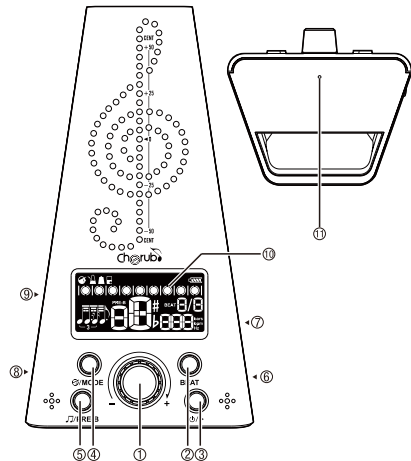
12^h

Up to twelve hours of battery life



Thank you and congratulations on your purchase of Cherub WMT-230 Rechargeable Metronome Tuner. Please read this manual thoroughly before using this gadget, and keep it for future reference.

Product Overview



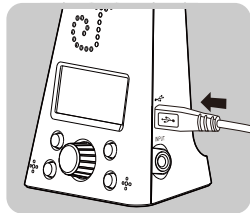
- ① TEMPO/CALIB Knob ② BEAT Button ③ POWER/PLAY Button ④ SOUND/MODE Button
⑤ RHYTHM/PRE-B Button ⑥ INPUT Jack ⑦ Charging Port ⑧ Earphone Jack
⑨ Volume Knob ⑩ LCD Display
⑪ Reset Button (Press this button with a paper clip when the WMT-230 will not responding to any operation.)

Operation Guide

Function	Operate	
Power On/Off	Keep pressing the POWER/PLAY button for 2-3 seconds to turn on/off the power.	
Switch Modes	Long press the SOUND/MODE button to set the mode to either METRONOME or TUNER .	
Metronome Mode	Start/Stop the metronome	Press the POWER/PLAY button to start/stop the metronome.
	Beat setting	Press the BEAT button to set the beat: 0(-/4), 1/4, 2/4, 3/4, 4/4, 5/4, 6/4, 7/4, 3/8 or 6/8.
	Tempo setting	Turn the TEMPO/CALIB knob clockwise or counterclockwise to set the desired tempo.
	Rhythm setting	Press the RHYTHM/PRE-B button to set the desired Rhythm:
	Pre-beat setting	Long press the RHYTHM/PRE-B button to set the Pre-beat: 1~ 6.
	Sound setting	Press the SOUND/MODE button to set the sound: Vocal Count, Cowbell, Mechanical Metronome sound, Tik Tok.
Tuner Mode	Calibration setting	Turn the TEMPO/CALIB knob clockwise or counterclockwise to set the desired calibration value: 430Hz - 450Hz.
	Reference Tone	Press the POWER/PLAY button to play the reference tone, press the button again to stop the playing. Turn the TEMPO/CALIB knob clockwise or counterclockwise during the playing to choose the NOTES: A, A#, B, C, C#, D, D#, E, F, F#, G and G#.

Battery Charging

When the battery level is low, the battery level indicator displays "☹". To charge WMT-230, connect a USB adapter(not included) to the USB port using the included power cable. (See the illustration on the right.)



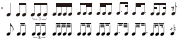
⚠ NOTICE

- To extend the battery life, please make sure to get the battery fully charged before using it for the first time.
- Discharge and charge the battery completely once every three months to keep it in healthy condition.
- Make sure to disconnect the product when it's fully charged.

Precautions

- Environment
 1. Do NOT use the product in high temperature, or high humidity, or subzero environments.
 2. Do NOT use the product in the direct sunlight.
- Please do NOT disassemble the product by yourself.
- Please keep this manual for future reference.

Specifications

- **Metronome**
 - Beats 0(-/4) 1/4 2/4 3/4 4/4 5/4 6/4 7/4 3/8or6/8
 - Rhythm 
 - Tempo Range 40-208bpm (± 1%)
 - Tempo Range and Tempo Markings
 - Largo 40-59
 - Larghetto 60-66
 - Adagio 67-76
 - Andante 77-108
 - Moderato 109-120
 - Allegro 121-168
 - Presto 169-200
 - Prestissimo 201-208
- **Tuner**
 - Tuning Range A1(55Hz)-A3(1760Hz)
 - Tuning Mode Chromatic Calibration(A4)
 - Range 430Hz-450Hz
- **Power** Built-in Li-Po battery pack(3.7 Volt)
- **Dimensions** 100mm(L) x 80mm(D) x 181mm(H)
- **Weight** 245g

Accessories

- User Manual
- USB Charging Cable

The FCC regulation warning (for U.S.A.)

This device complies with part 15 of the FCC Rules. Operation is subject to the following two conditions: (1) this device may not cause harmful interference, and (2) this device must accept any interference received, including interference that may cause undesired operation. Any changes or modifications not expressly approved by the party responsible for compliance could void the user's authority to operate the equipment.

NOTE: This equipment has been tested and found to comply with the limits for a Class B digital device, pursuant to Part 15 of the FCC Rules. These limits are designed to provide reasonable protection against harmful interference in a residential installation. This equipment generates, uses and can radiate radio frequency energy and, if not installed and used in accordance with the instructions, may cause harmful interference to radio communications. However, there is no guarantee that interference will not occur in a particular installation.

If this equipment does cause harmful interference to radio or television reception, which can be determined by turning the equipment off and on, the user is encouraged to try to correct the interference by one or more of the following measures:

- Reorient or relocate the receiving antenna.
- Increase the separation between the equipment and receiver.
- Connect the equipment into an outlet on a circuit different from that to which the receiver is connected.
- Consult the dealer or an experienced radio/TV technician for help. The device has been evaluated to meet general RF exposure requirement. The device can be used in portable exposure condition without restriction.

CE mark for European harmonized standards

CE Mark which is attached to our company's products of Battery mains the product is in fully conformity with the harmonized standard(s) EN 61000-6-3:2007+A1:2011 & EN 61000-6-1:2007 Under the Council Directive 2004/108/EC on Electromagnetic Compatibility.



Made in China

www.cherubtechnology.com