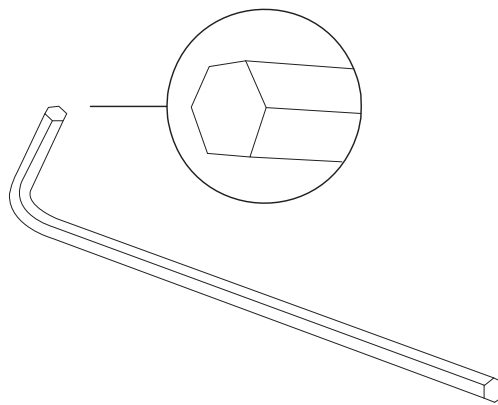


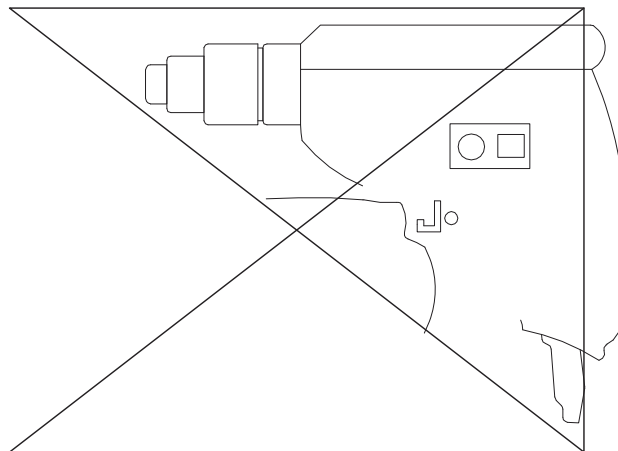
Attention: Don't tighten the screw before all screws are in place

General Assembly Guidelines





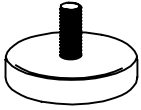

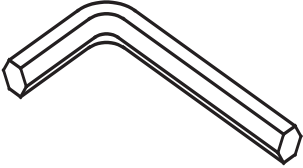
- I. Ensure that all parts and hardware are available before beginning assembly.
- II. Follow each step carefully to ensure the proper assembly of this product.
- III. Two people are recommended for ease in the assembly of this product.
- IV. The three main types of hardware used to assemble this product are : wood dowels , screws and bolts.
- VI. A Phillips head screwdriver is required for the assembly of this product .



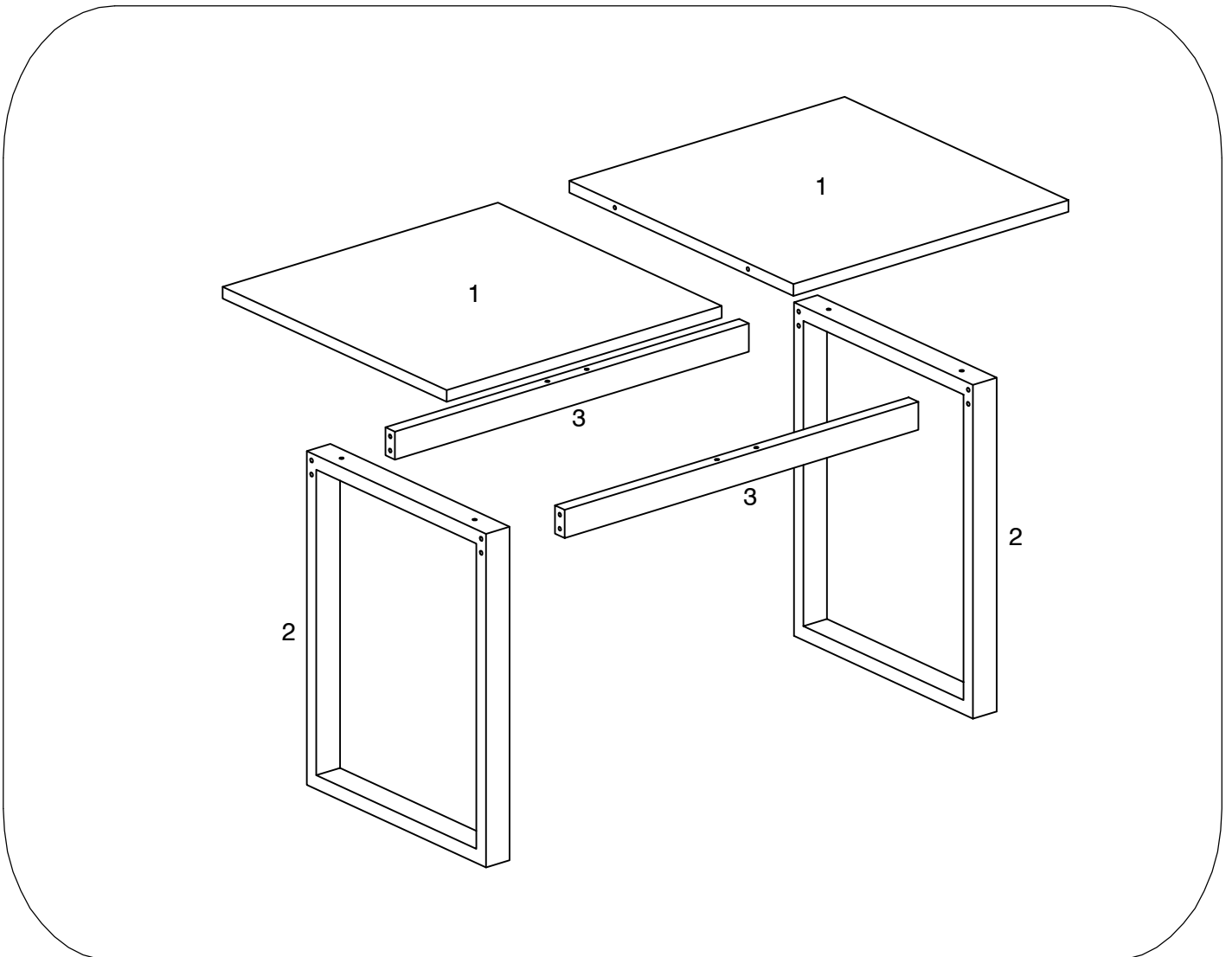
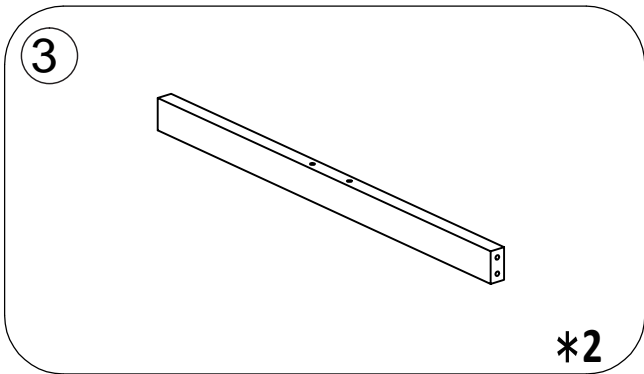
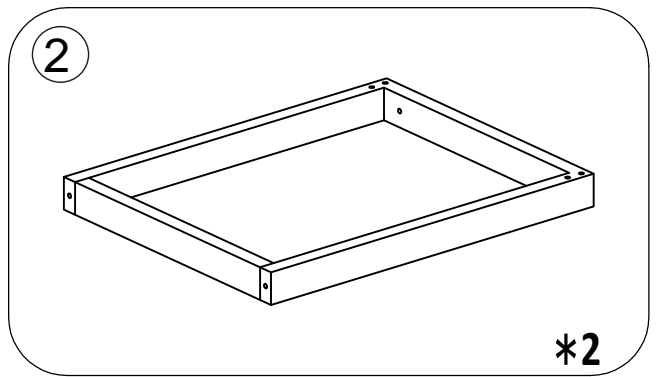
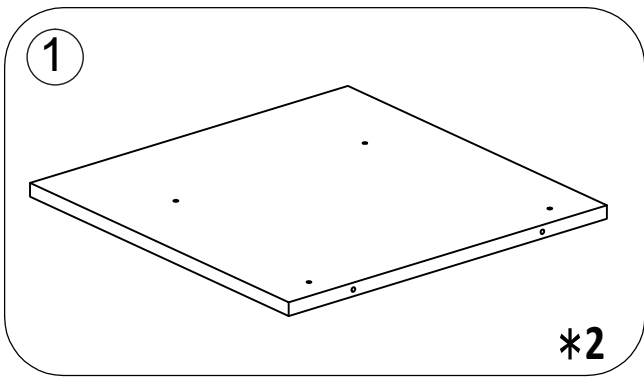
- VII. Power tools should not be used to assemble this product .



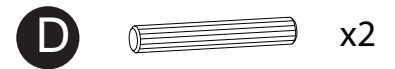
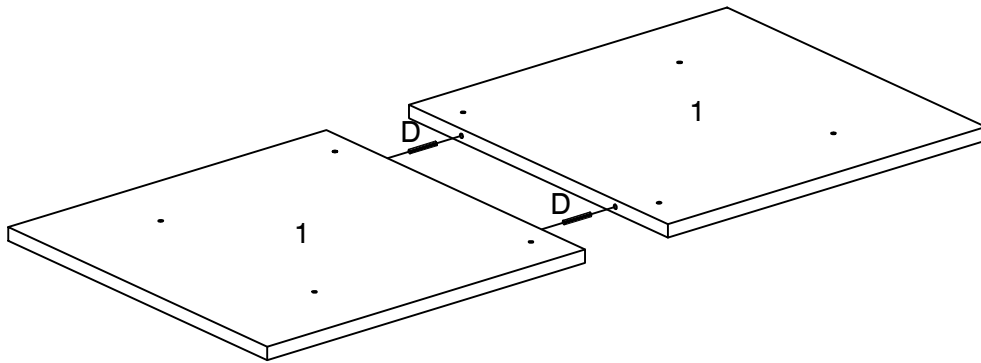
Hardware List

<p>A</p>  <p>M6x40 4pcs</p>	<p>B</p>  <p>M6x70 4pcs</p>	<p>C</p>  <p>M8x80 8pcs</p>	<p>D</p>  <p>2pcs</p>
<p>E</p>  <p>M8 4pcs</p>	 <p>1pc</p>	 <p>1pc</p>	

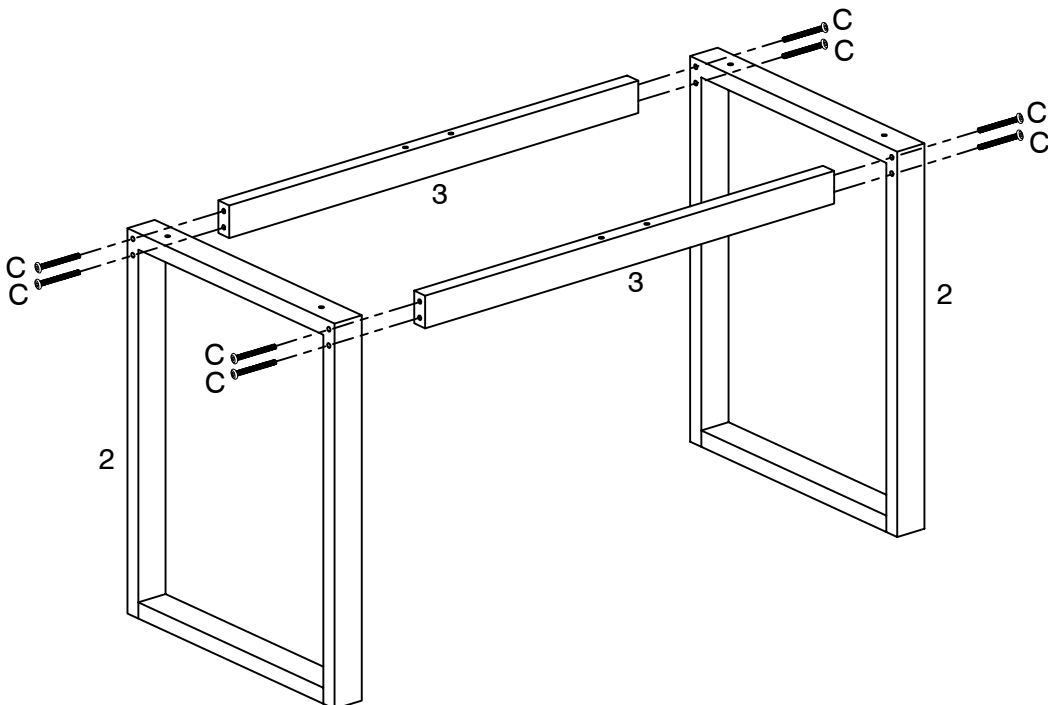
Panel List



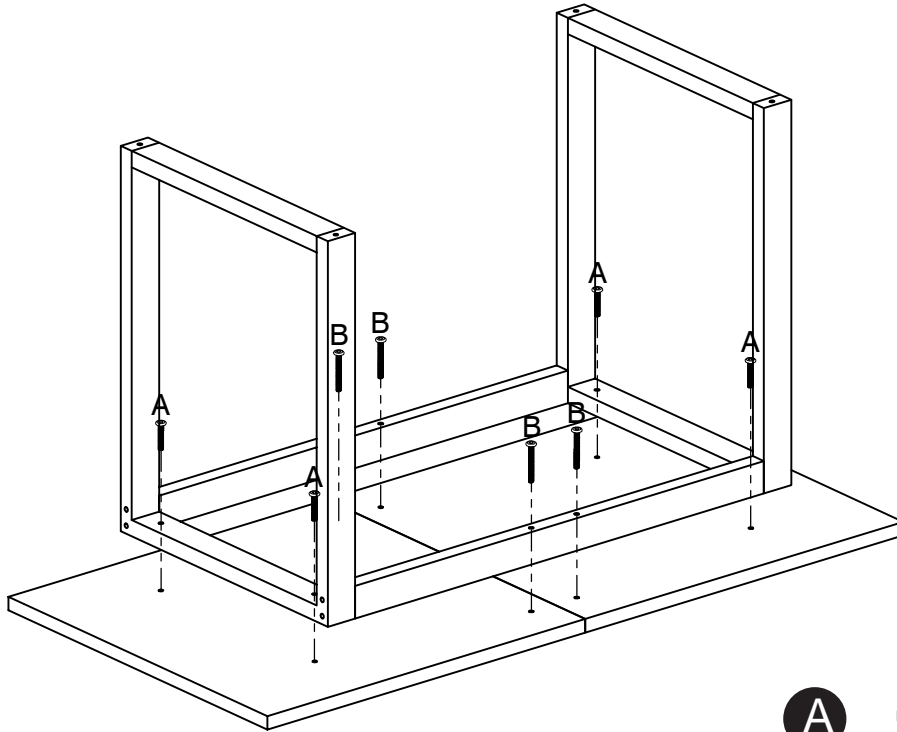
Step 1



Step 2



Step 3



Step 4

