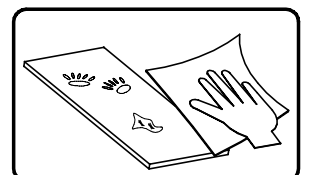
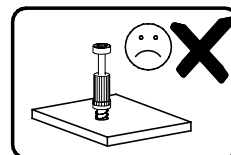
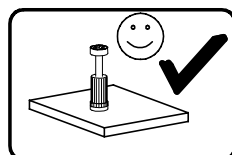
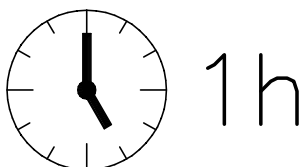
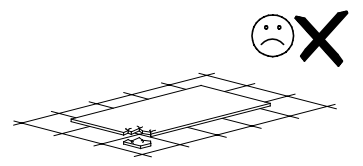
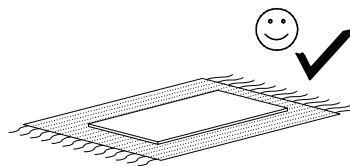
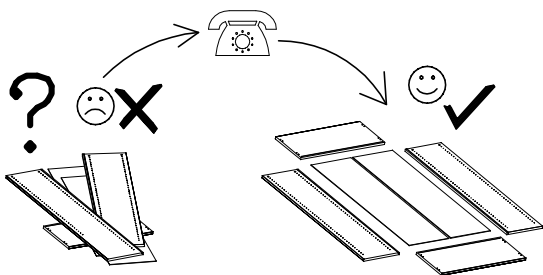
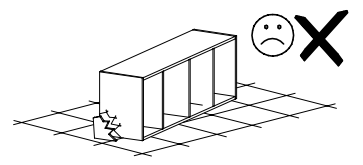
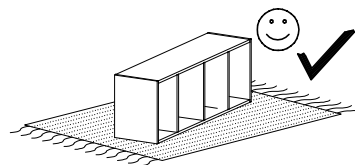
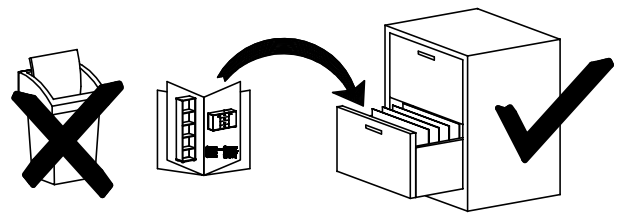
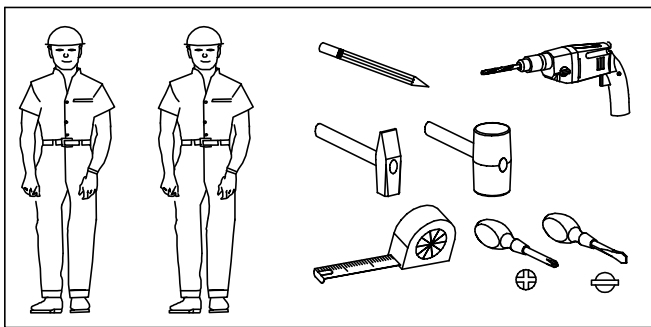
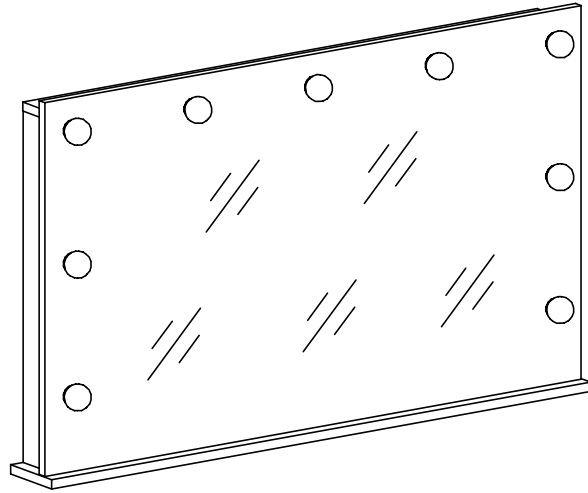
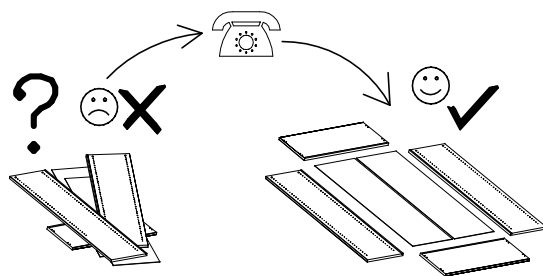
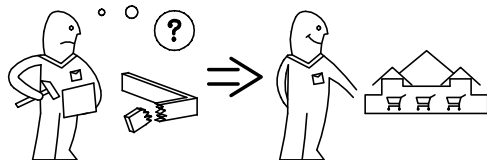
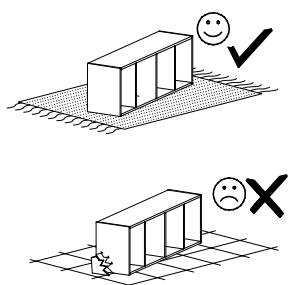
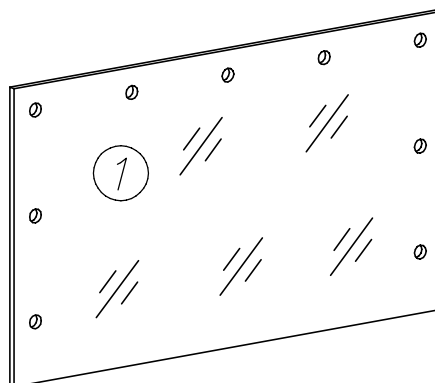
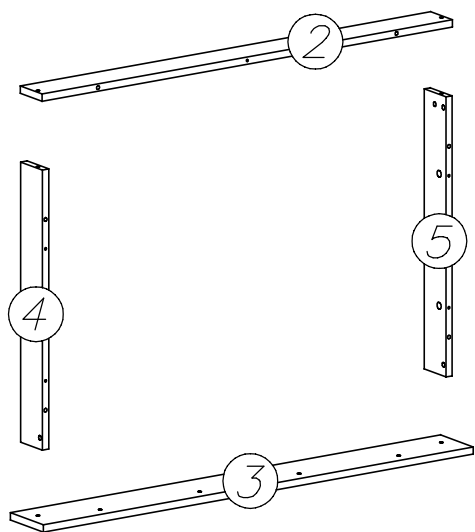


MADA ELITE

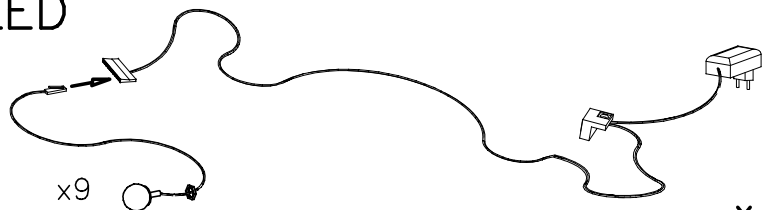




nr	L[mm]	B[mm]	T[mm]	Menge	Colli
1	1100	650	16	1	1/1
2	1055	79	16	1	1/1
3	1104	120	16	1	1/1
4	611	79	16	1	1/1
5	611	79	16	1	1/1



LED



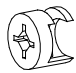
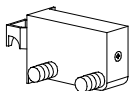
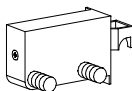


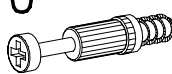

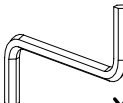


G3

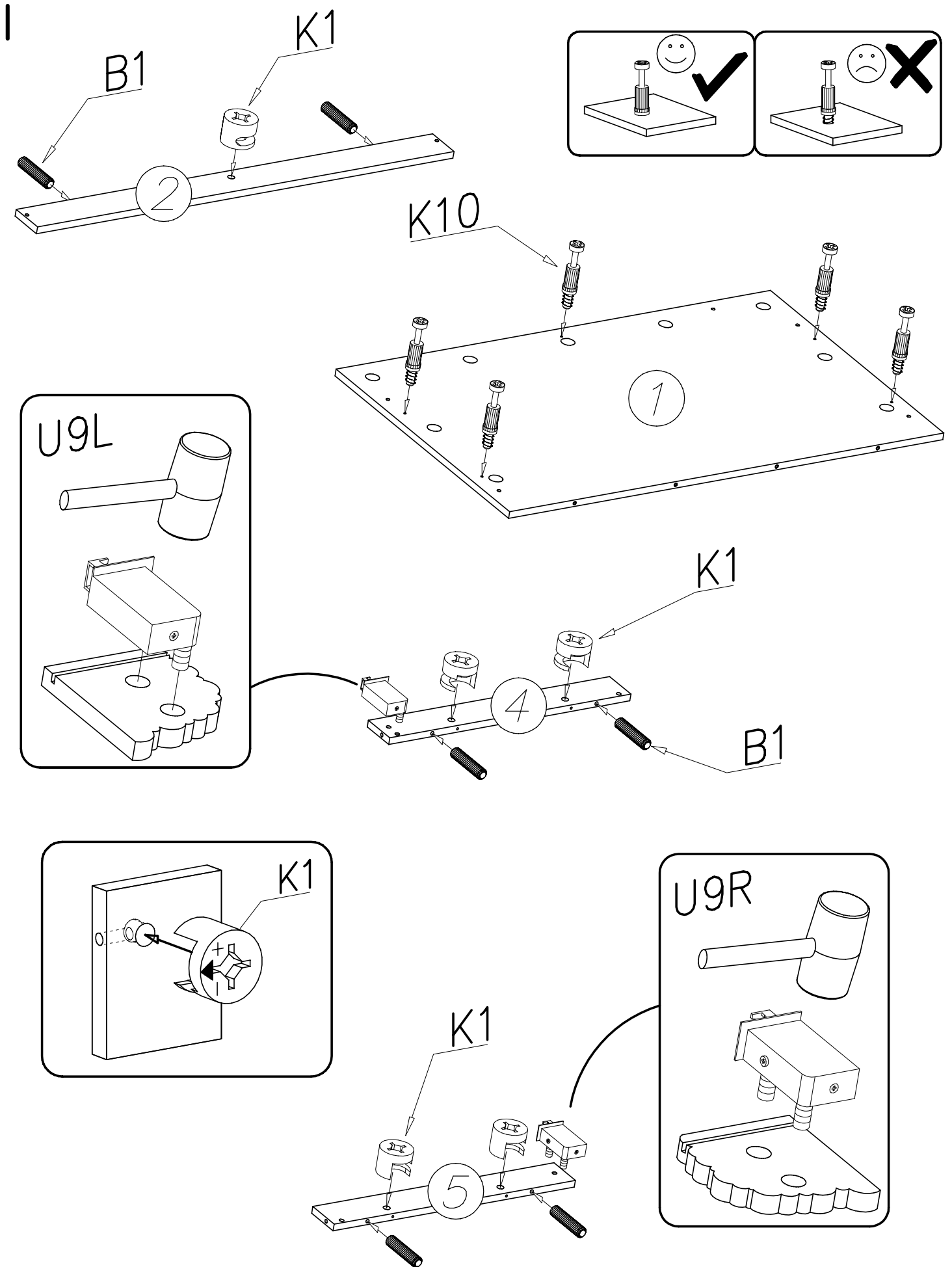
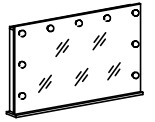


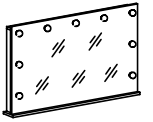
x...(1)

4x30

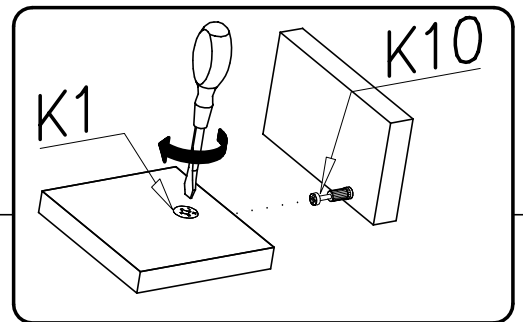
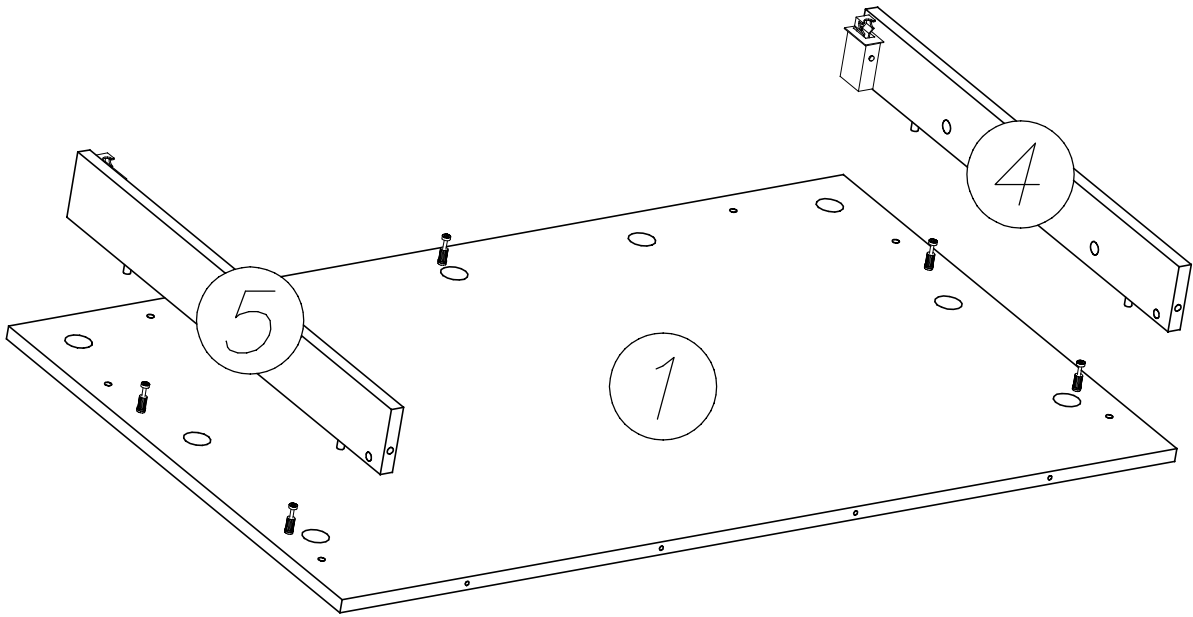
x...(2)

K1  $\varnothing 15 \times 12$ x...(5)	U9L  x...(1)	U9R  x...(1)	I7  $\varnothing 18$ x...(5)	I10  $\varnothing 10$ x...(1)
K10  x...(5)	B1  $\varnothing 8 \times 35$ x...(6)	W2  x...(1)	A1  $\varnothing 7 \times 50$ x...(8)	I9  $\varnothing 12$ x...(8)

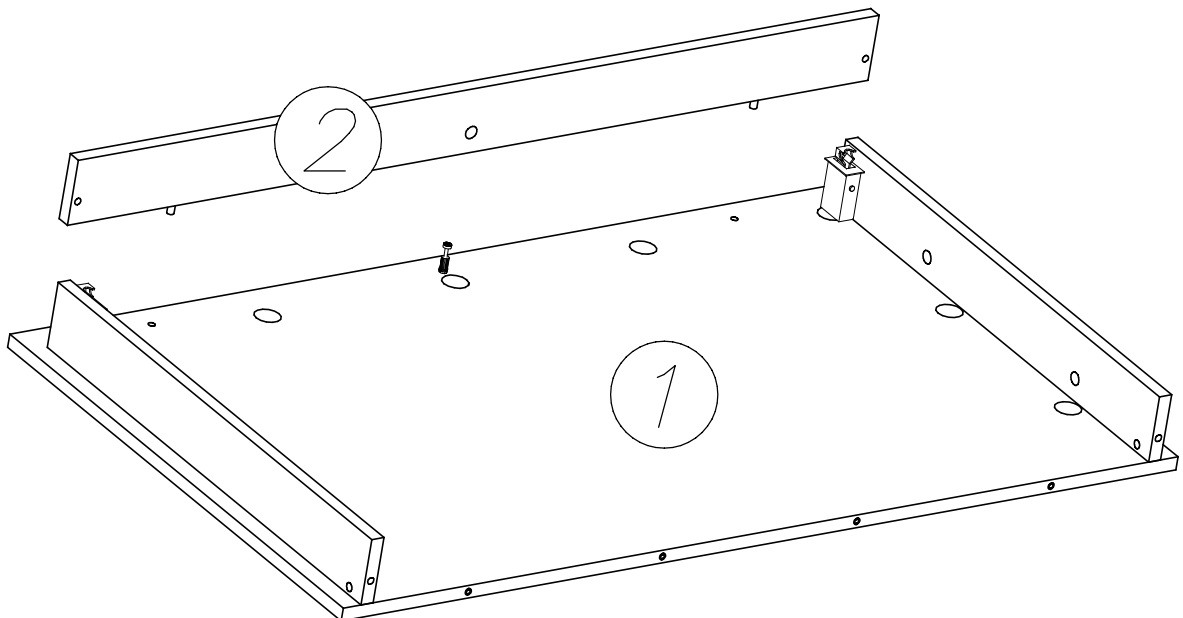


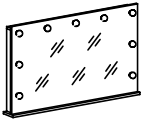


II

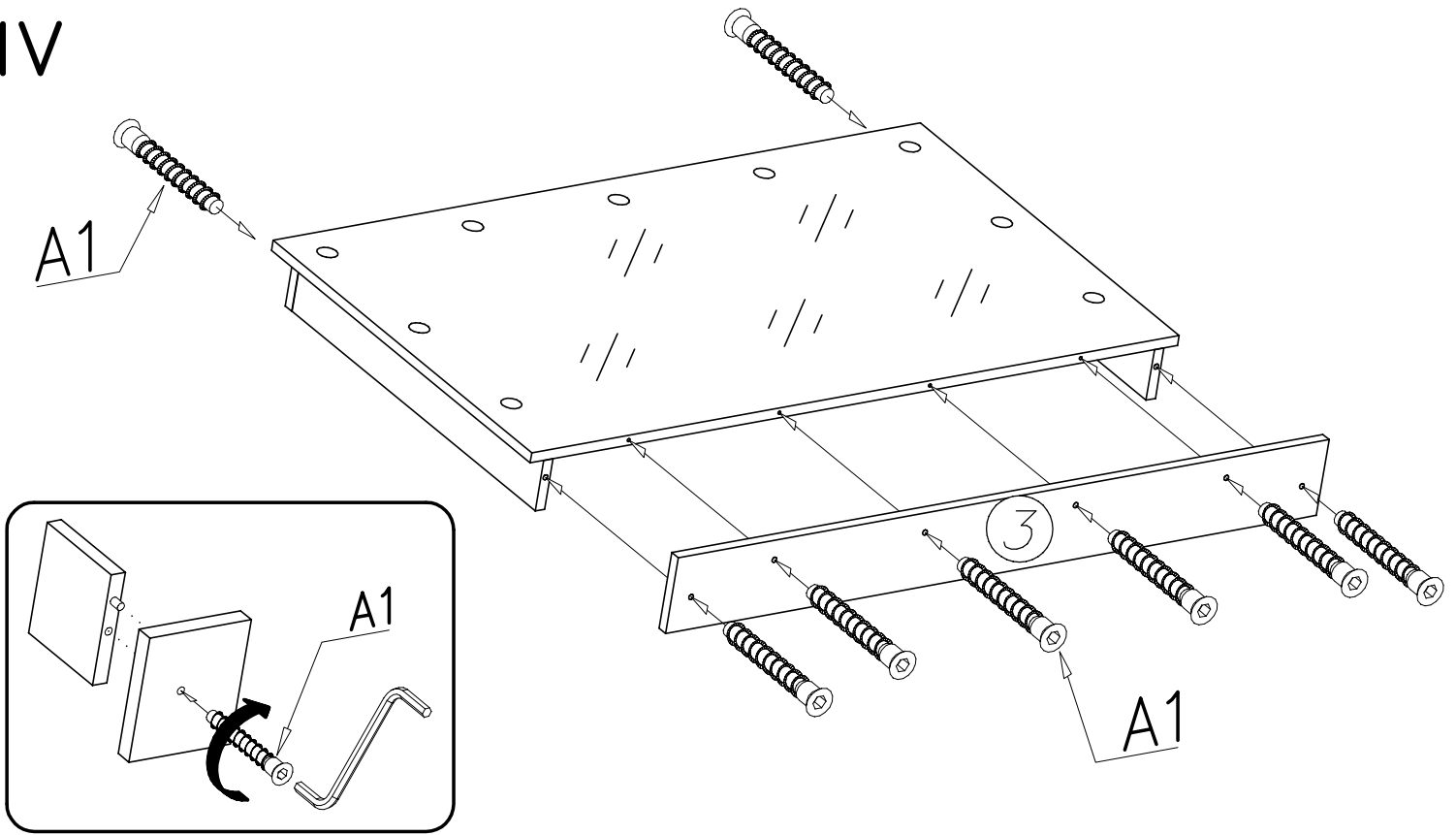


III

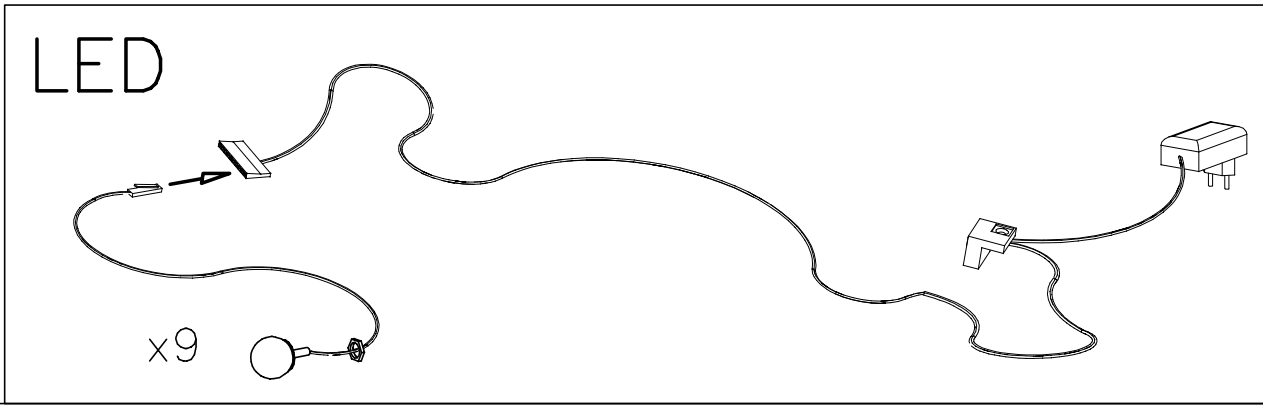
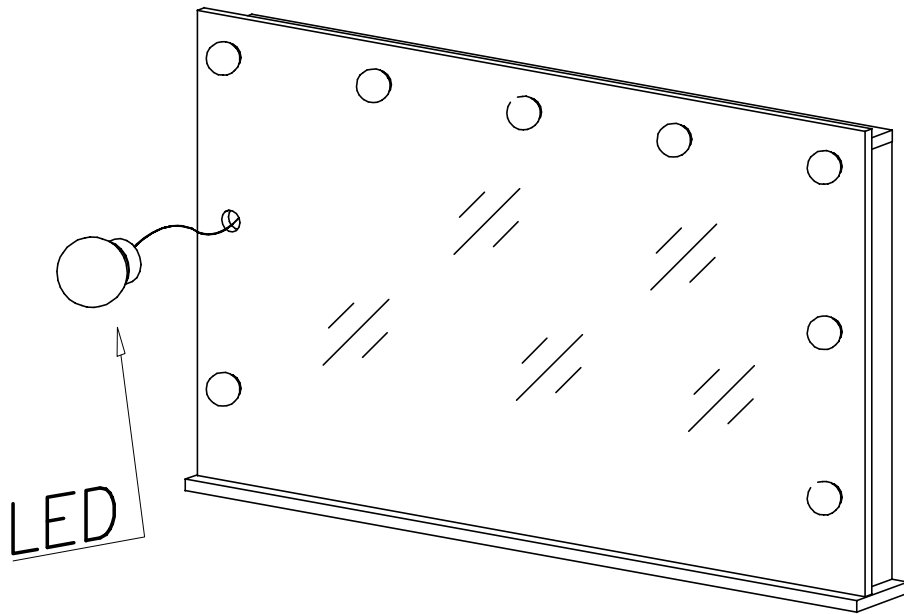


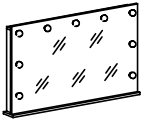


IV

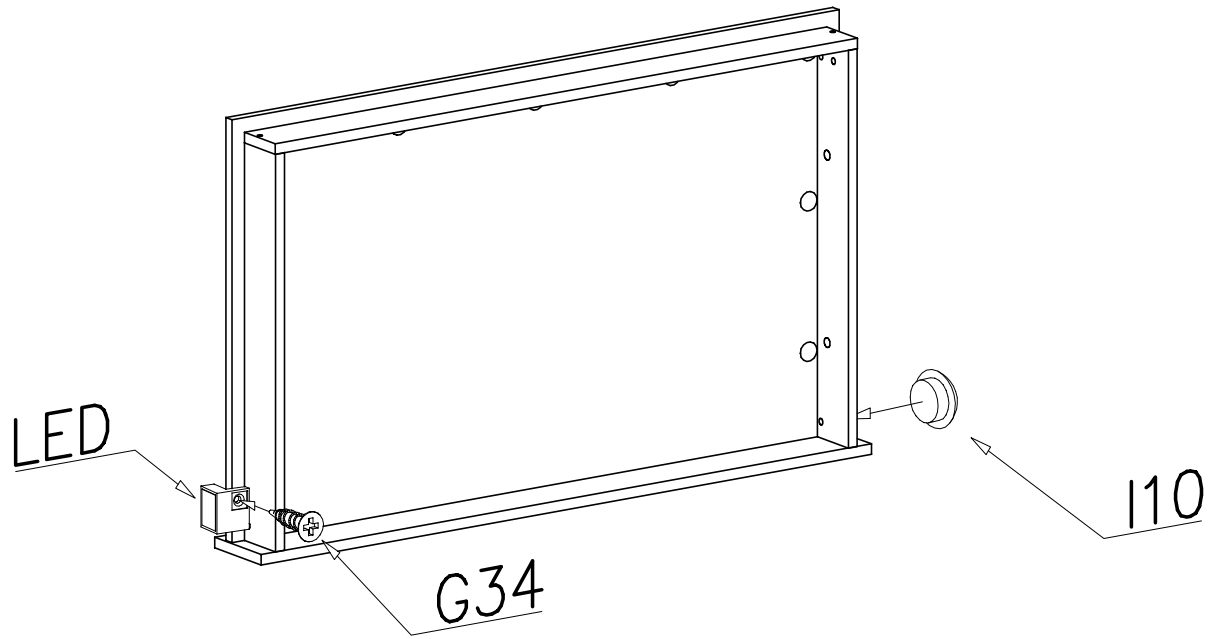


V



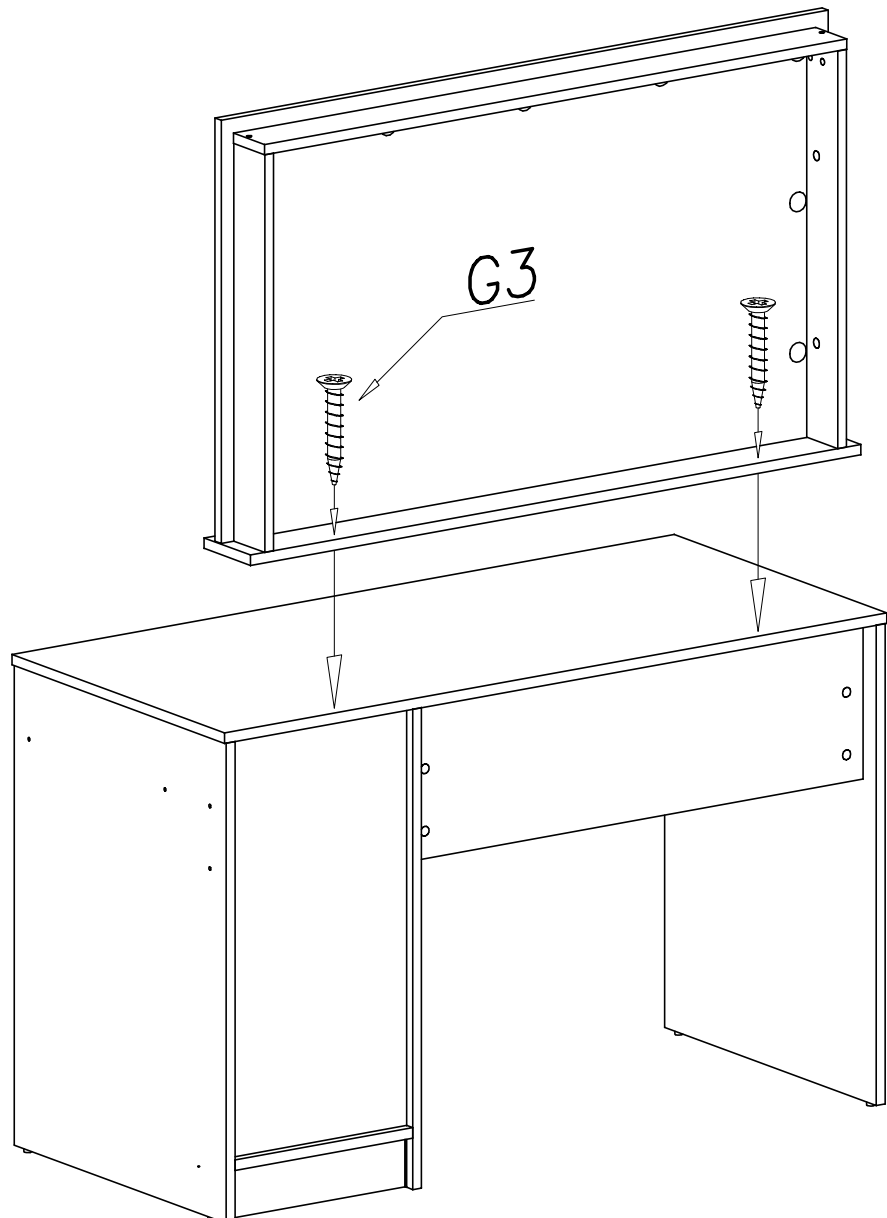
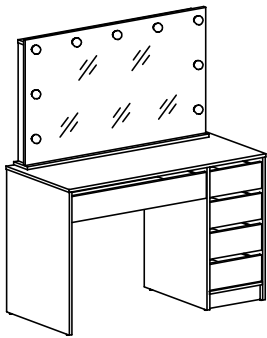


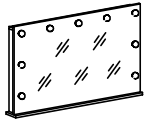
VI



VII

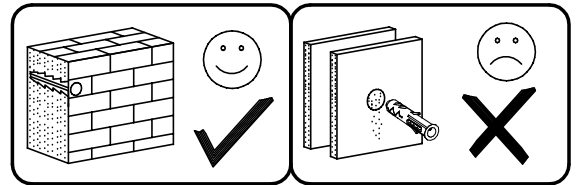
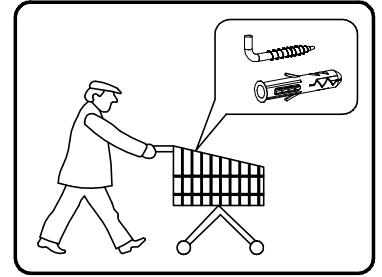
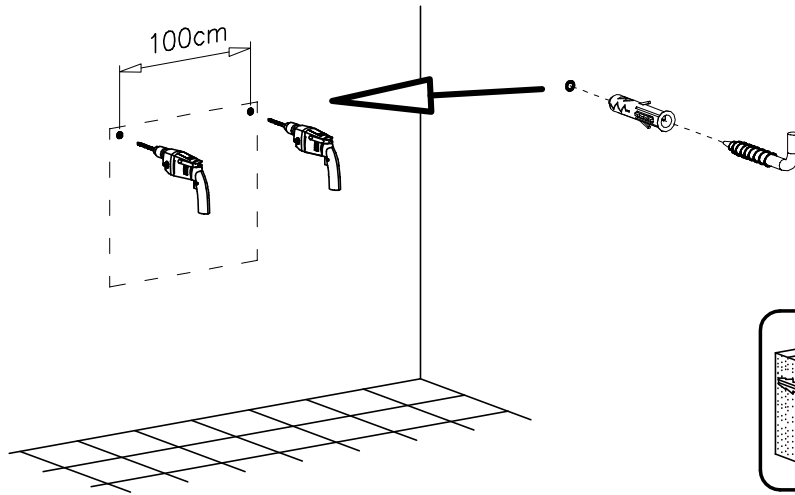
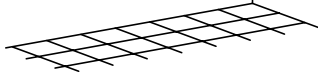
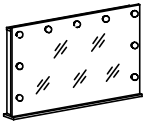
wersja A





VIII

wersja B



IX

