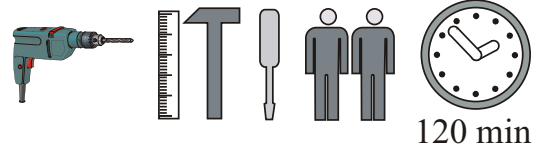
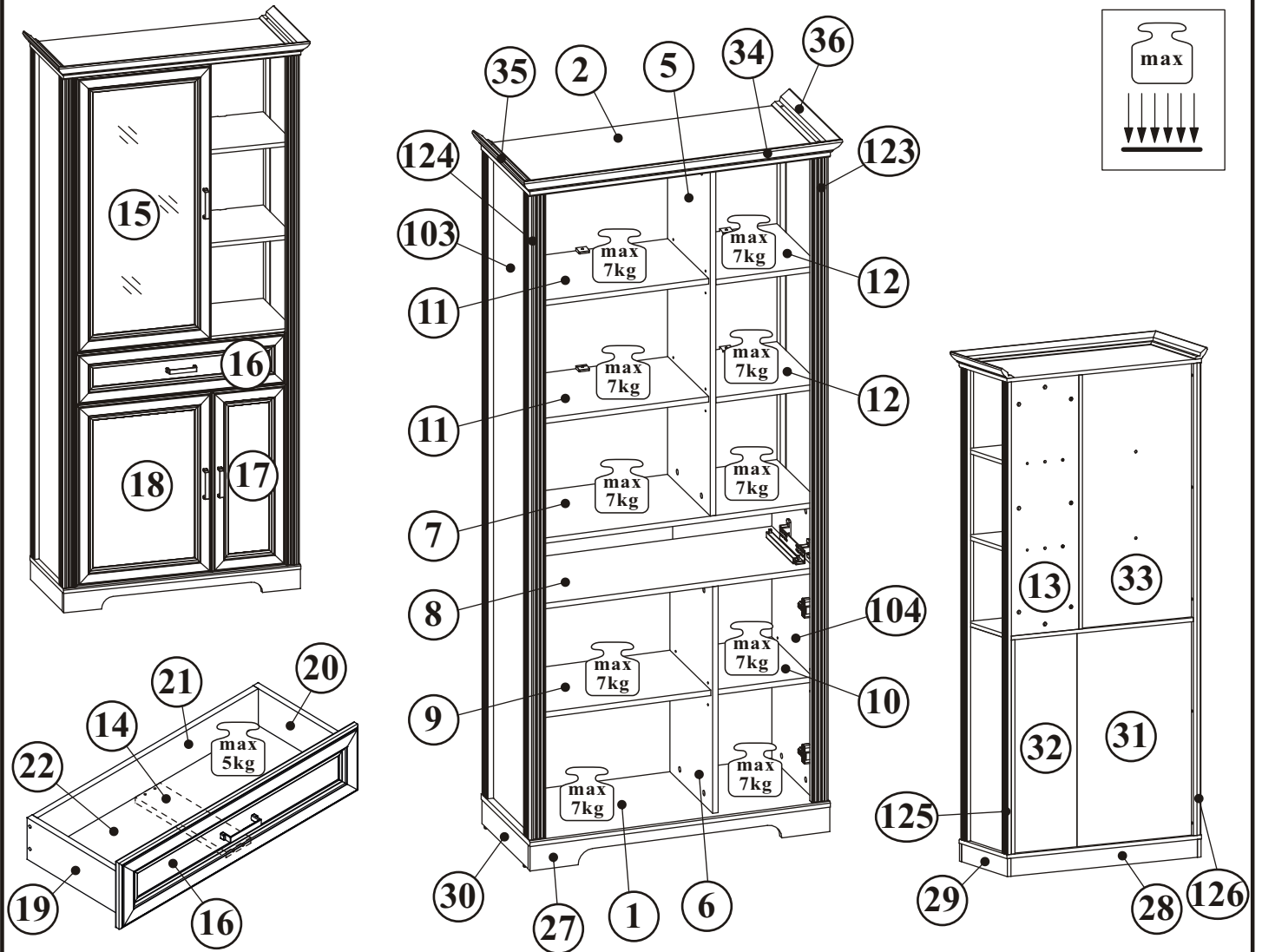


# JASMIN 10G9\_01

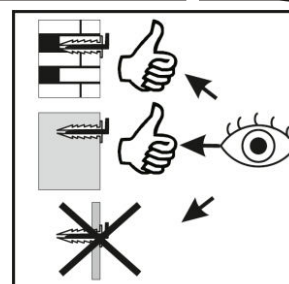
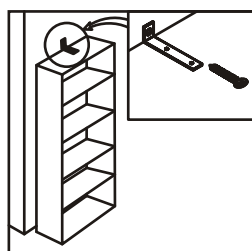
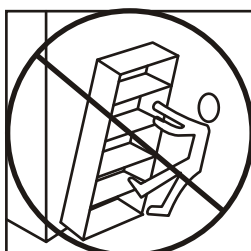
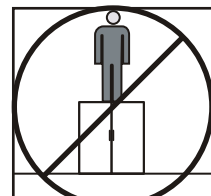
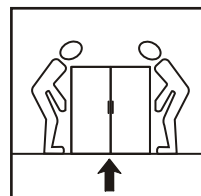
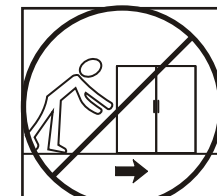
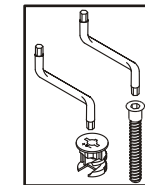
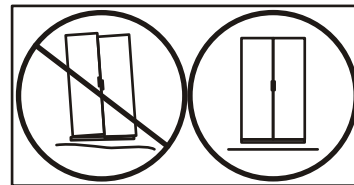
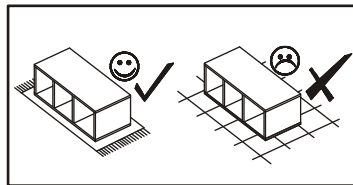
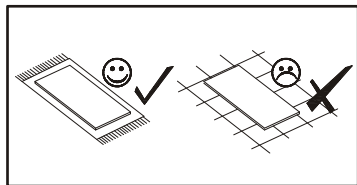
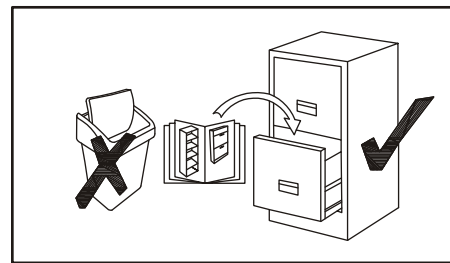
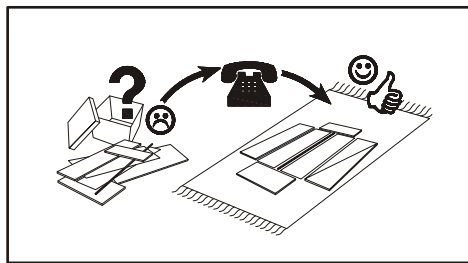
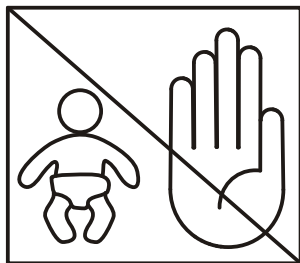


NO	Dim.		Col.-No	Qty
1	876	386	16	1
2	876	386	16	1
103	1890	359	16	2
104	857	359	16	2
5	1017	359	16	2
6	665	339	16	2
7	820	359	16	1
8	804	339	16	2
9	507	324	16	1
10	281	324	16	1
11	500	324	16	2
12	304	342	16	3
13	1017	304	16	3
14	299	80	16	1
15	1020	496	21	3
16	770	188	21	3
17	668	270	21	3
18	668	496	21	3

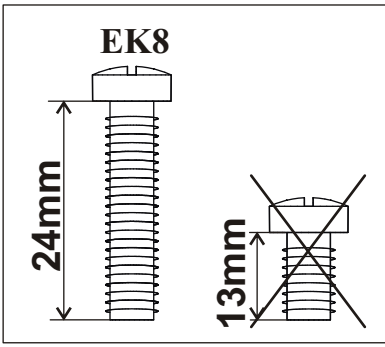
NO	Dim.		Col.-No	Qty
19	300	120	16	1
20	300	120	16	1
21	714	106	16	1
22	304	726	3	1
123	1890	49	49	2
124	1890	49	49	2
125	1890	43	19	2
126	1890	43	19	2
27	874	72	16	1
28	840	72	16	1
29	369	72	16	1
30	369	72	16	1
31	867	521	3	3
32	867	295	3	1
33	1027	512	3	3
34	929	67	21	1
35	412	67	21	1
36	412	67	21	1

JASMIN 10G9\_01

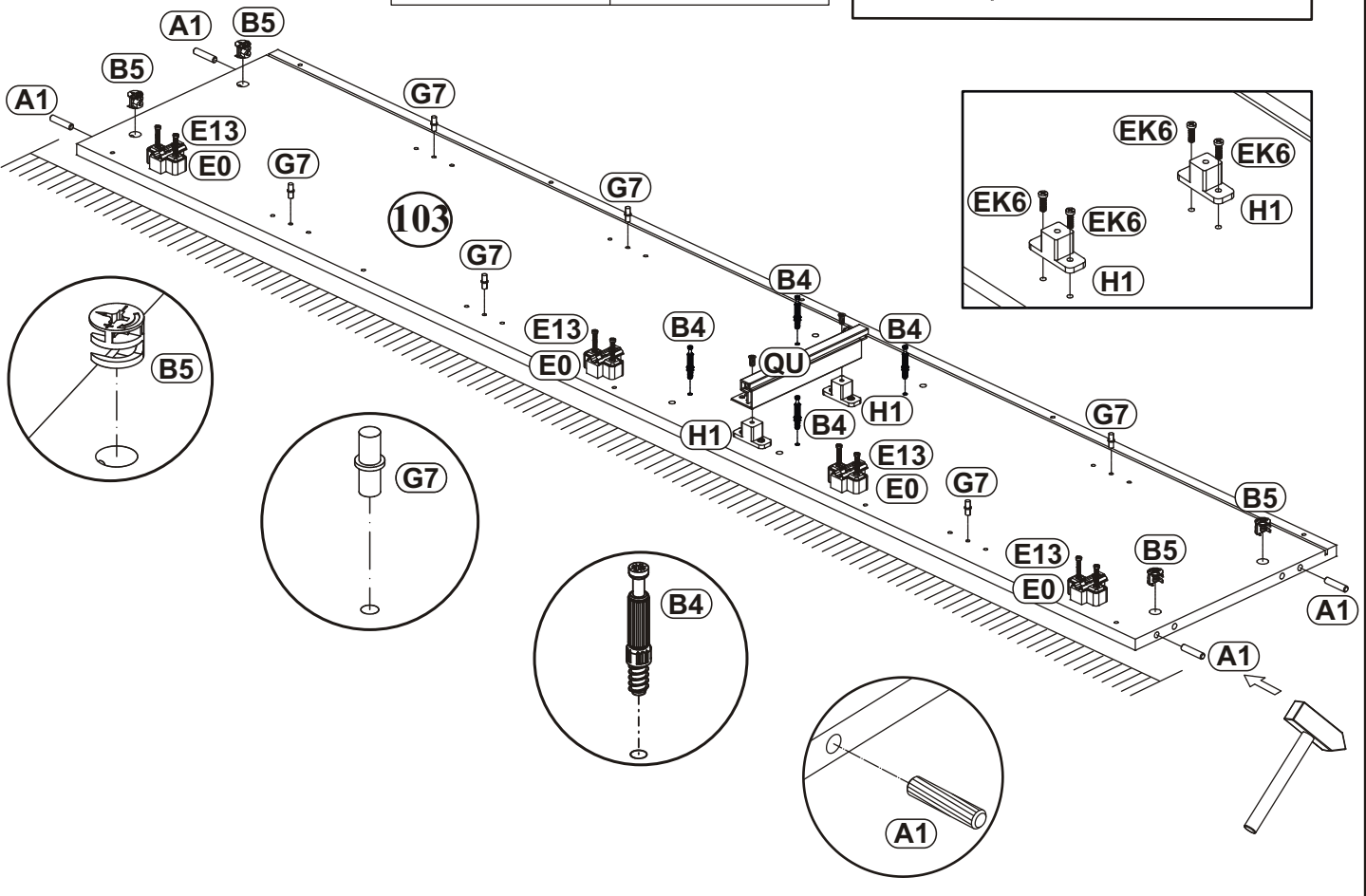
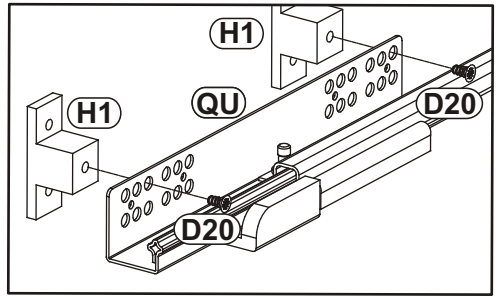
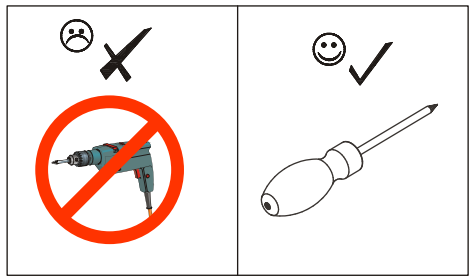
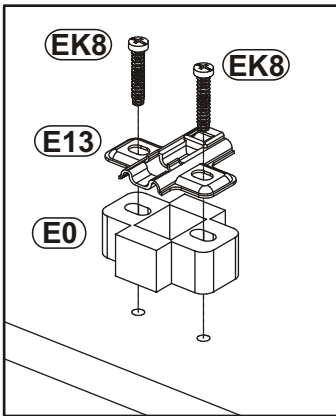
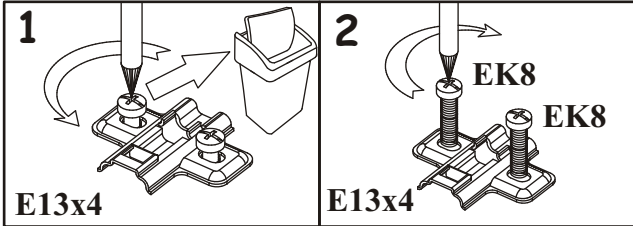
A1 x41 ø8x36	B4 x44	B5 x44 ø15x12	G5 x44	G7 x16	G2 x1
EK6 x8 EKØ6,3x13	E17 x6 H=16	E13 x6 H=2	UP6 x2 UPØ4x30	L1 x2	KR1 x2
EK8 x12 EKØ6,3x24	D10 x18 USØ3,5x13	UP13 x9 UPØ3x16	D20 x4 ESØ6,3x9,5	QU x1 L-300	I2 x6
B11 x14 Ø7x50	D24 x16 USØ4x30	G4 x12	KM1 x1	G16 x5	E0 x6 H=11
C19 x4	D34 x2 M4x16	D4 x6 M4x30	OS3 x4	S1 x24	H1 x4
D9 x7 USØ3x20	UP9 x4 UPØ3,5x16	I9 x1 H-60 mm.	G12 x16 Ø14	0 mm 10 20 30 40 50 60	



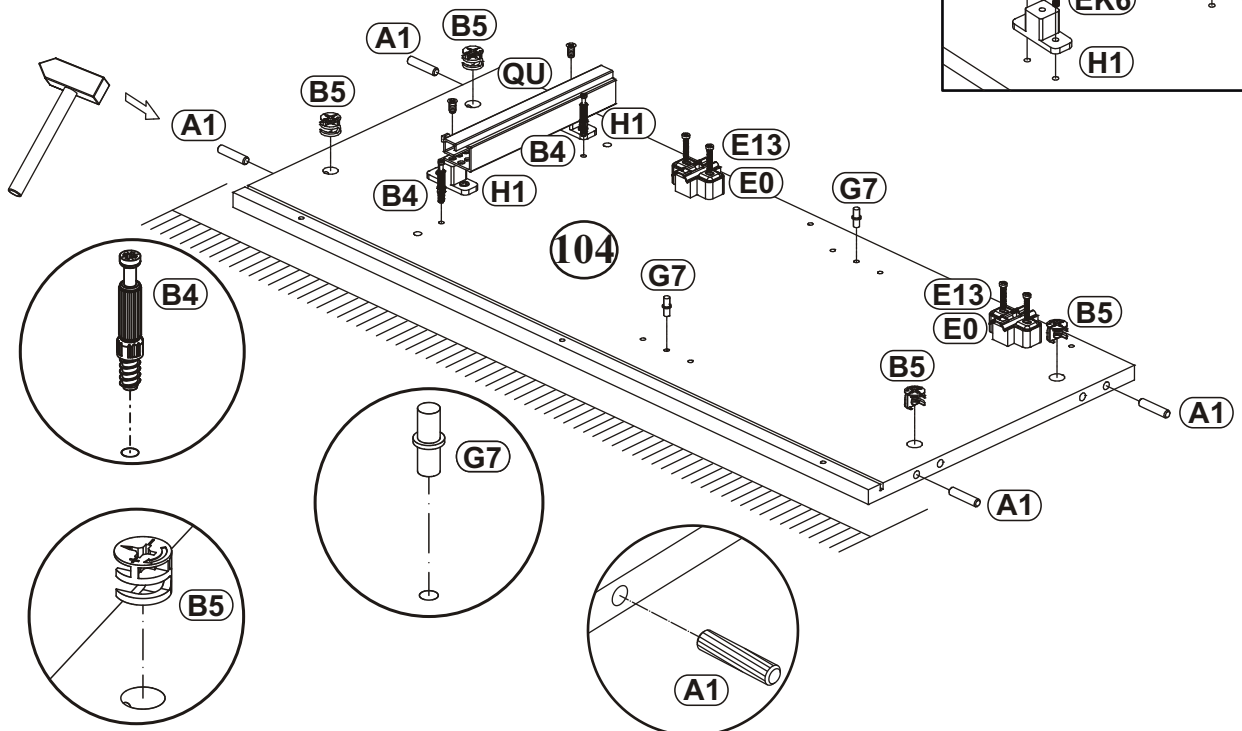
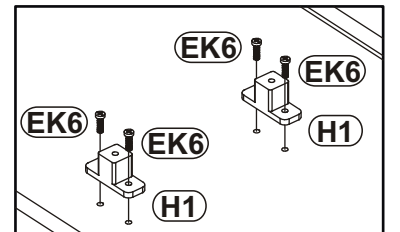
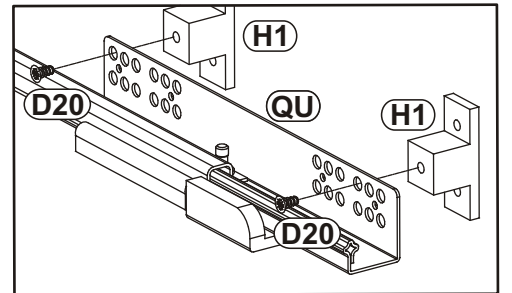
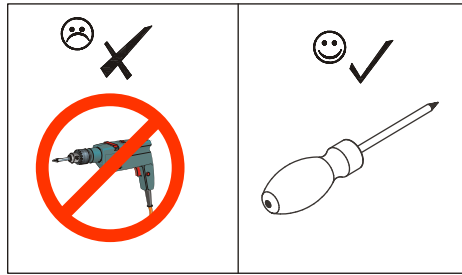
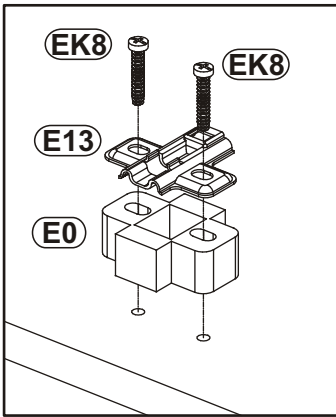
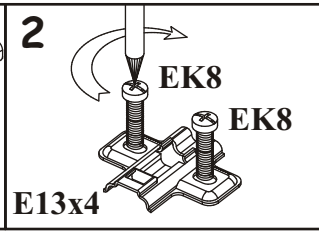
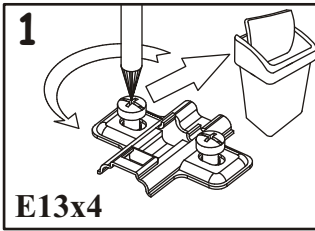
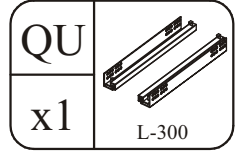
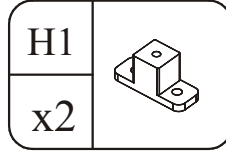
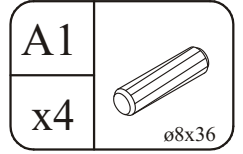
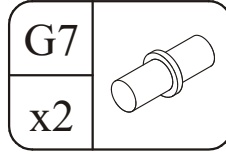
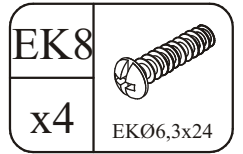
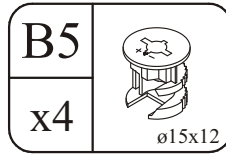
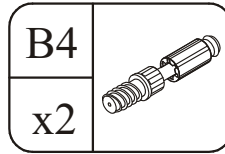
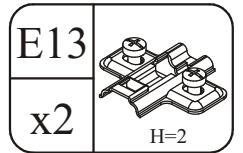
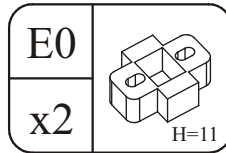
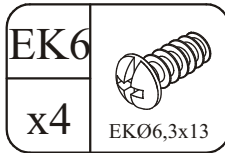
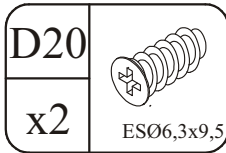
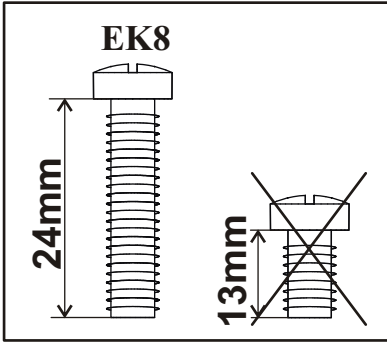
1



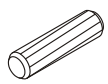
B4 x4		E0 x4		E13 x4	
D20 x2		B5 x4		EK8 x8	
G7 x6		A1 x4		QU x1	
H1 x2		EK6 x4			

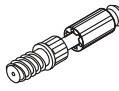



2

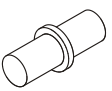


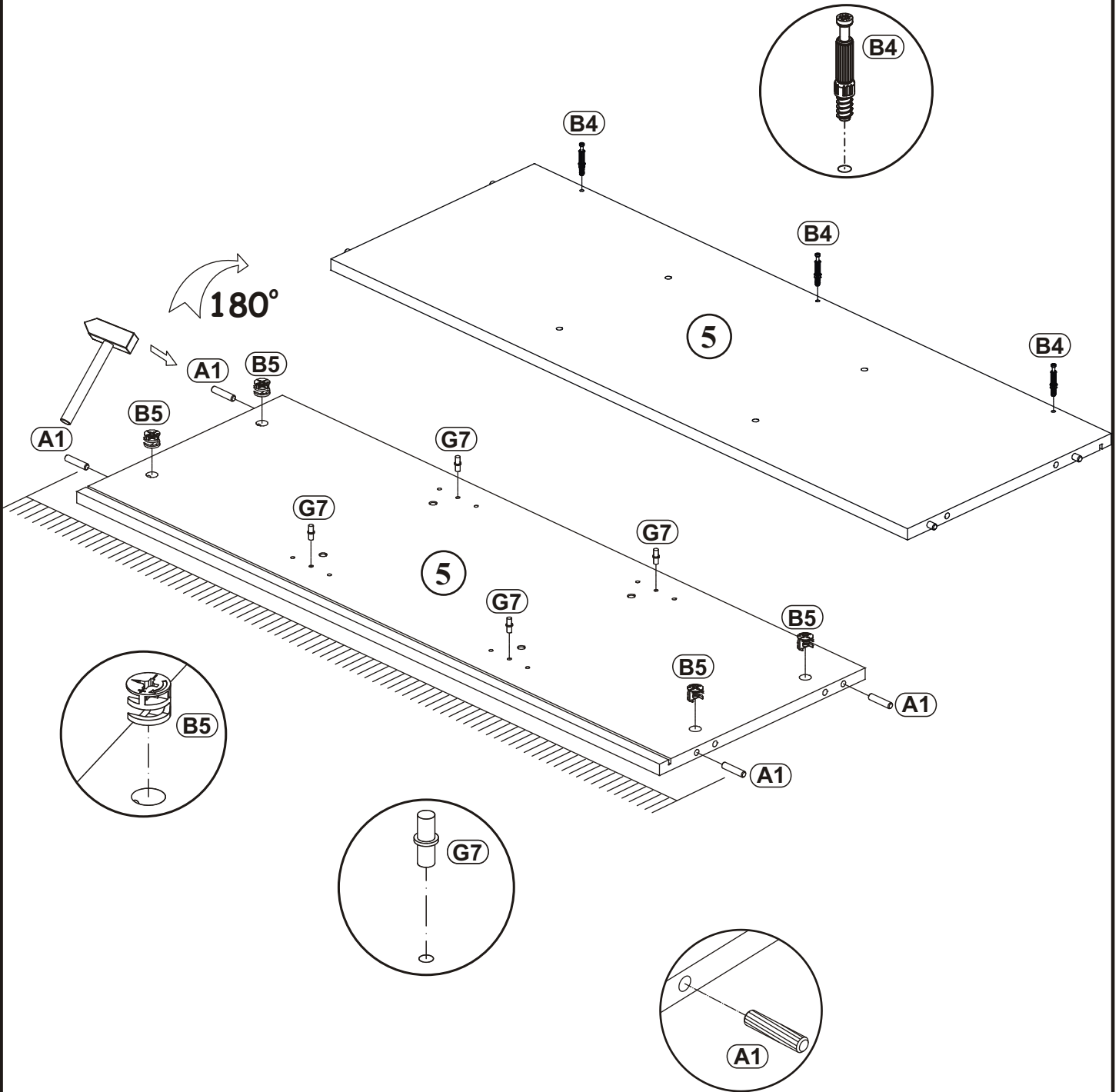
3

A1	
x4	ø8x36

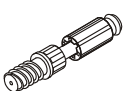
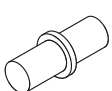
B4	
x3	

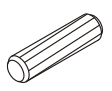

B5	
x4	ø15x12

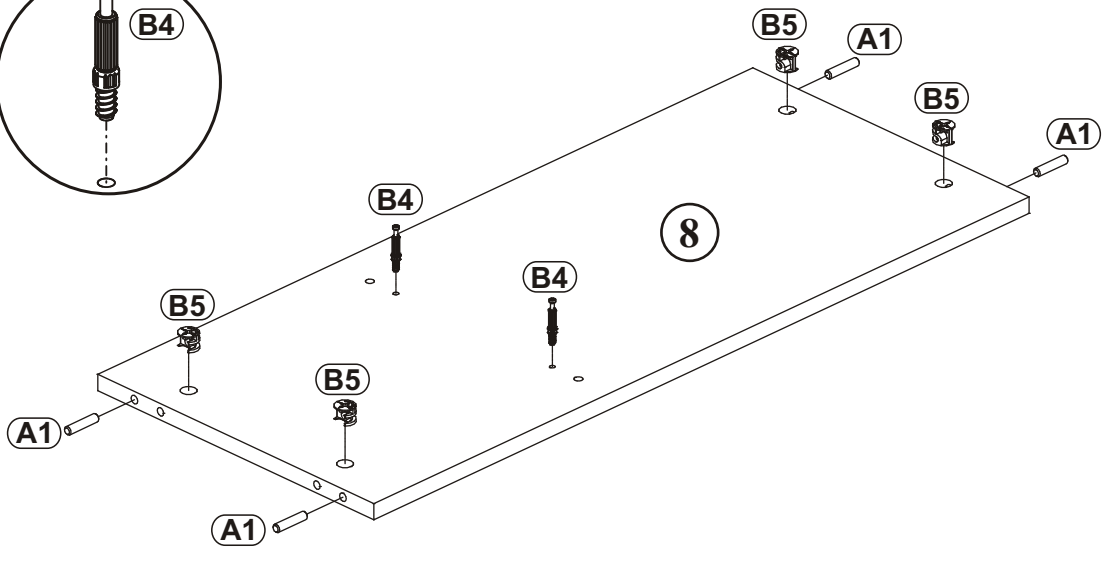
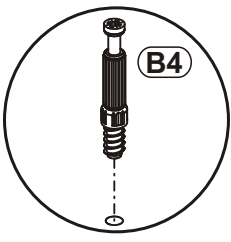
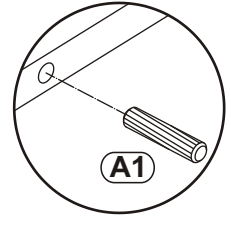
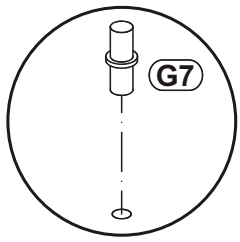
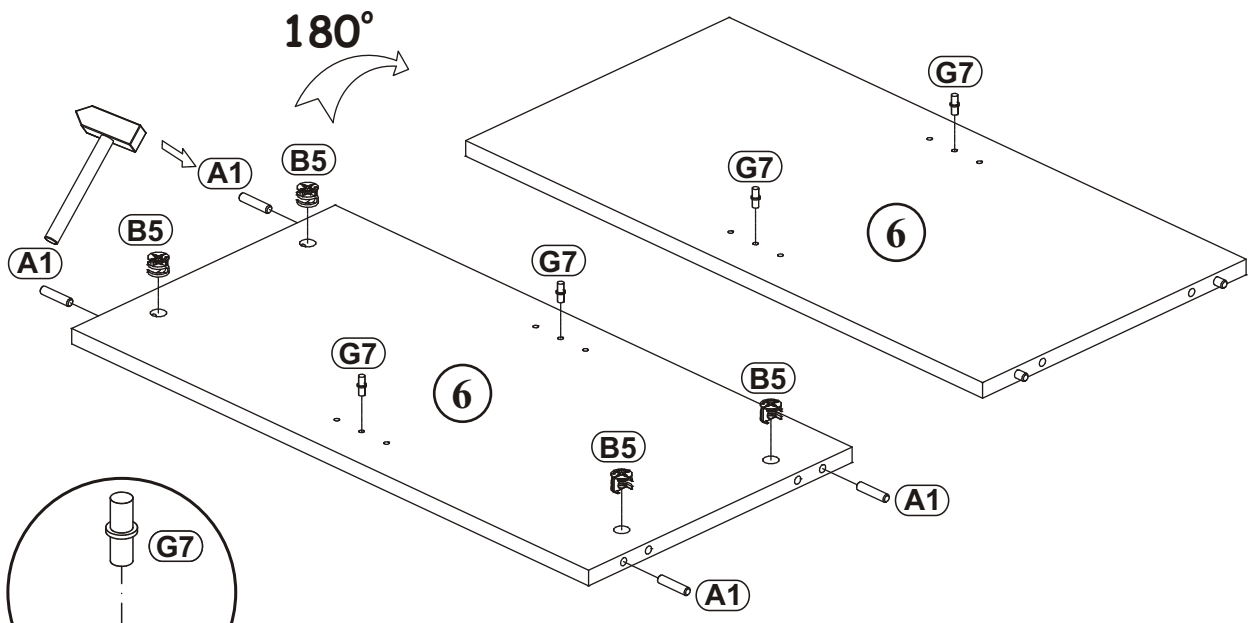
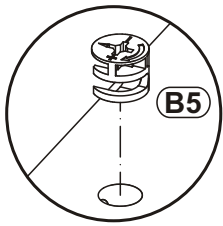
G7	
x4	

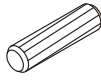


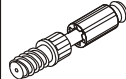
4


B4		G7	
x2		x4	

A1		B5	
x8	ø8x36	x8	ø15x12

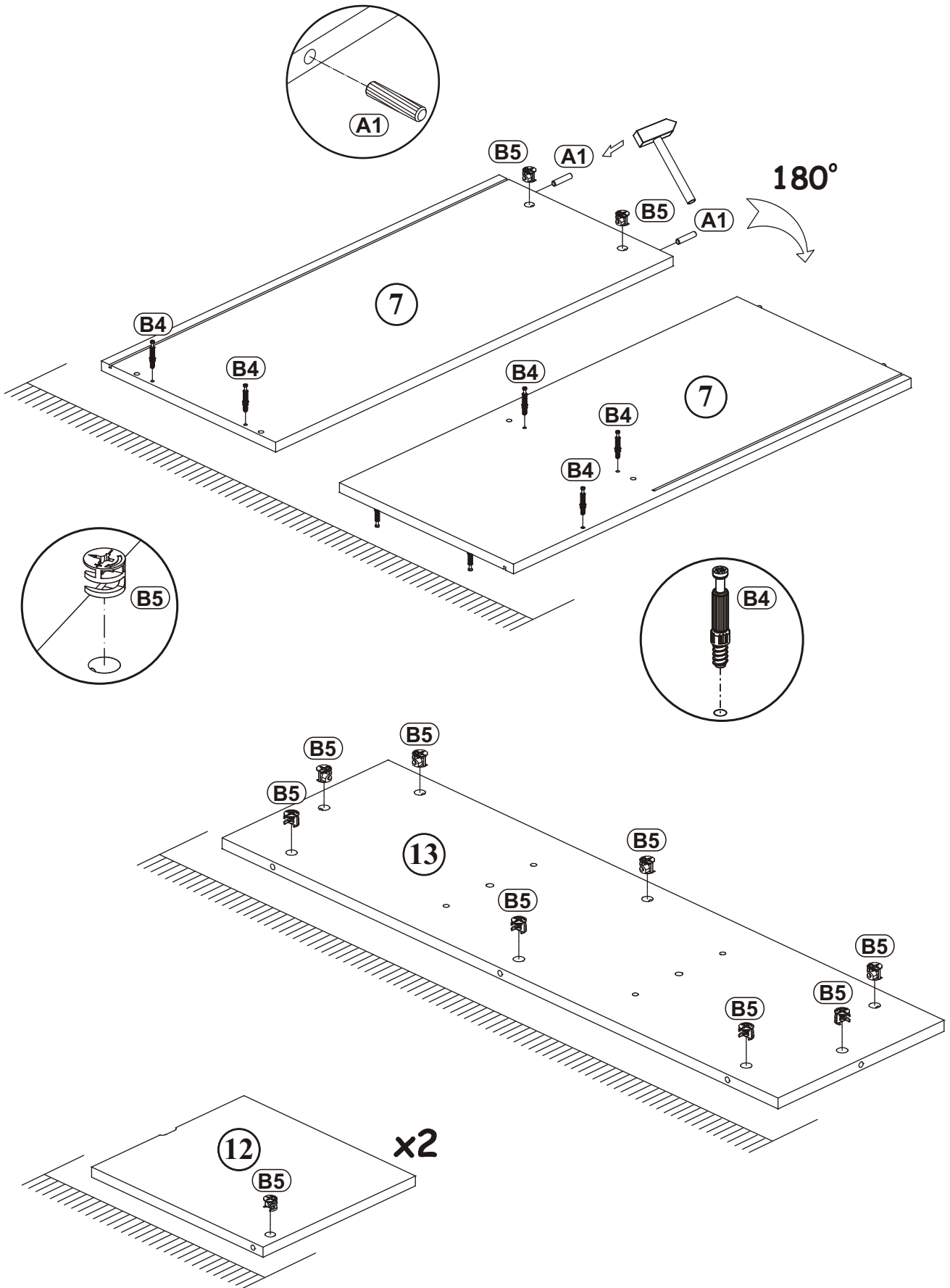


A1	
x2	ø8x36

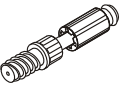
B4	
x5	

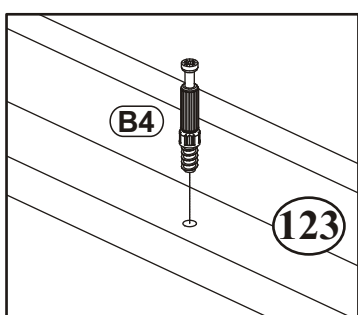
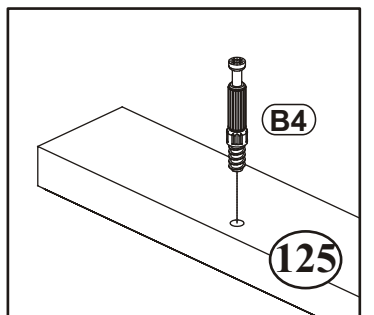
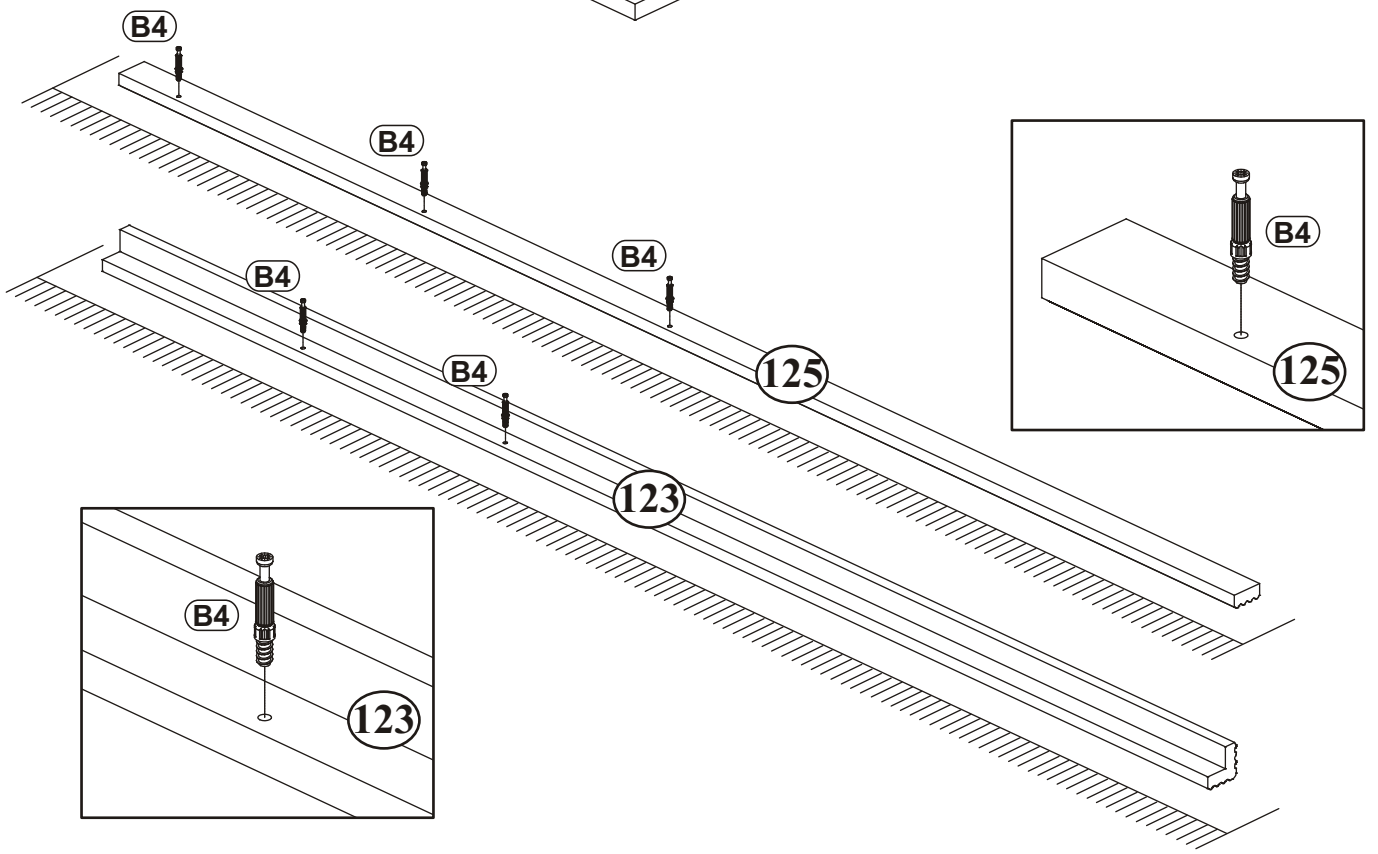
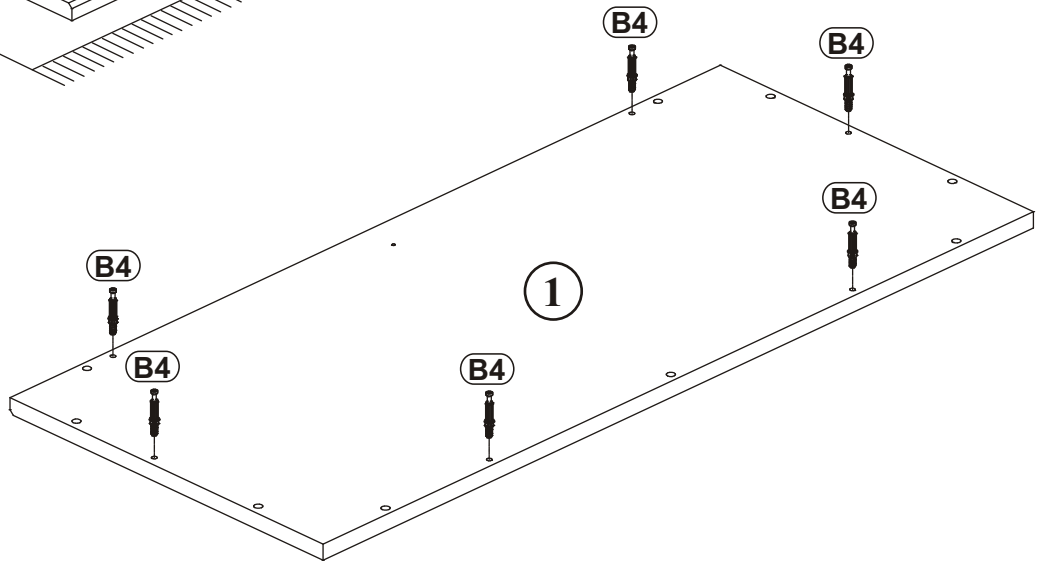
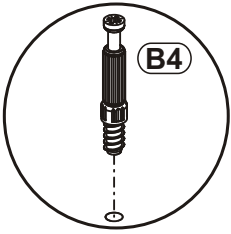
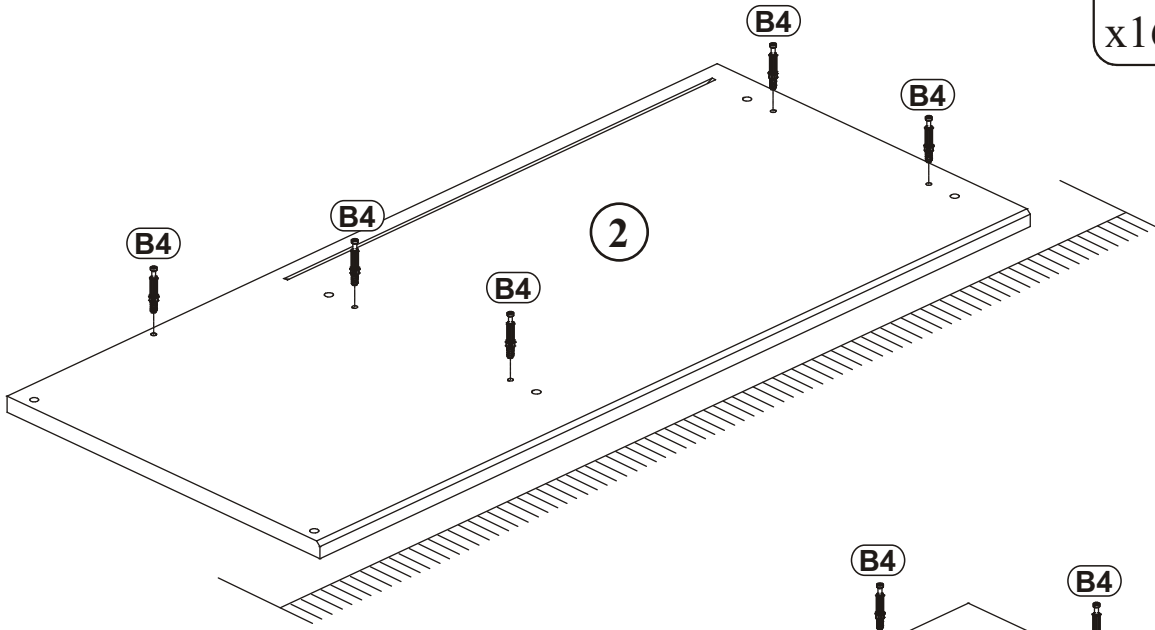
B5	
x12	ø15x12

5



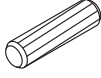

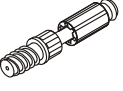
6

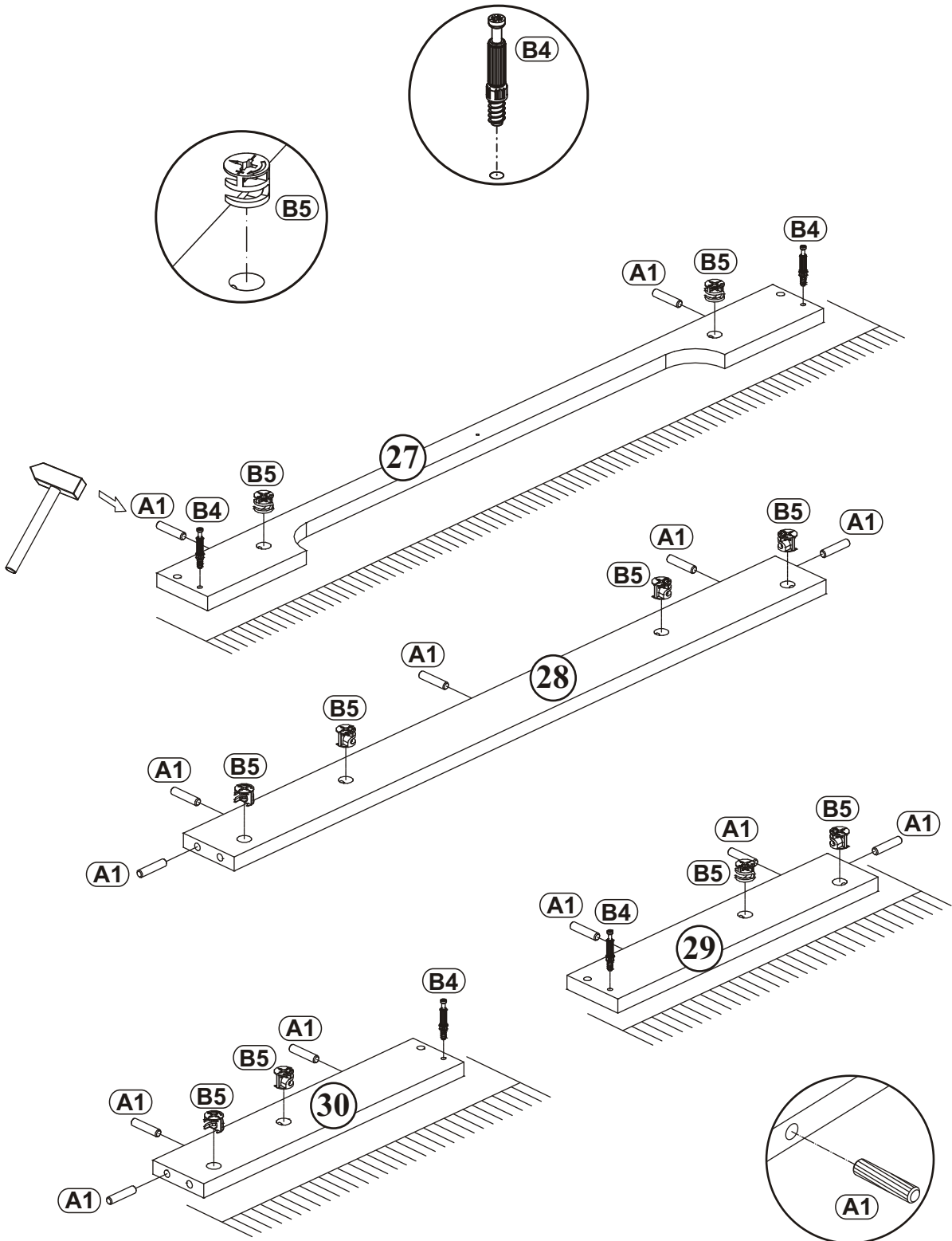
B4	
x16	



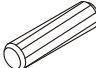



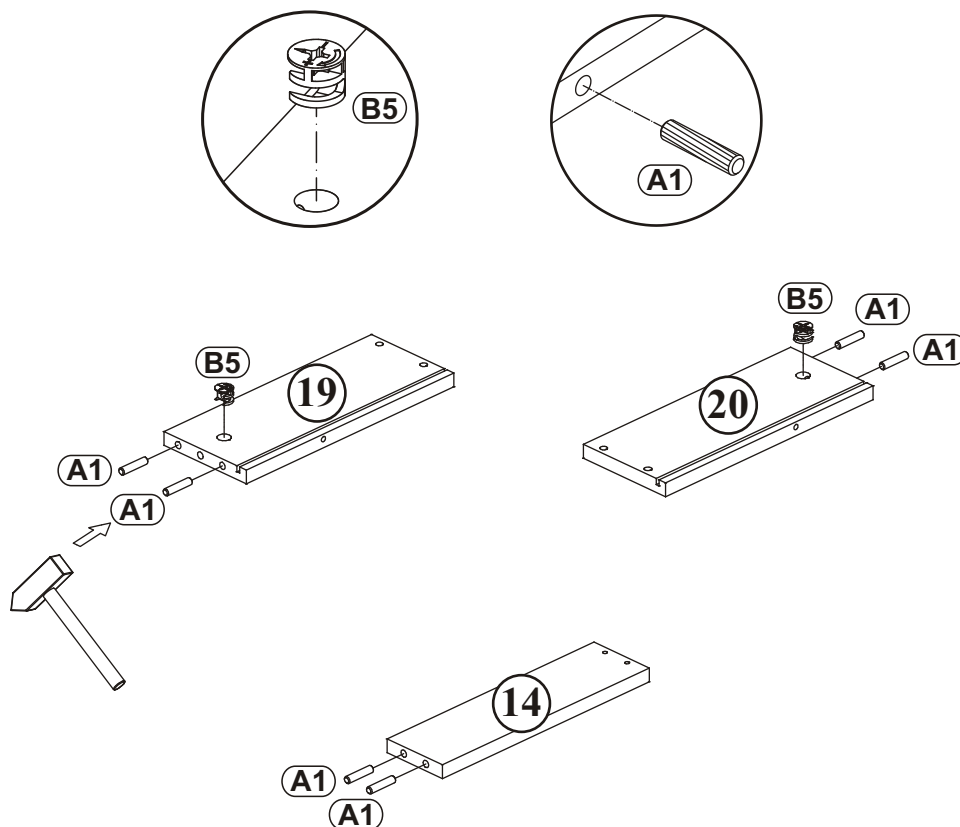
7

A1		B5		B4	
x13	ø8x36	x10	ø15x12	x4	

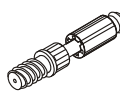


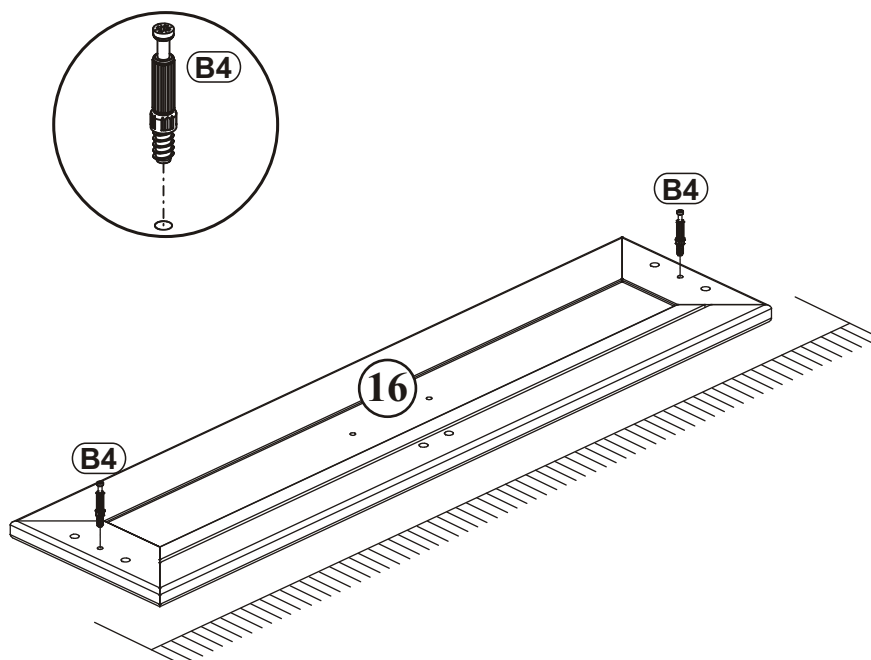
8

A1		B5	
x6	ø8x36	x2	ø15x12

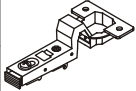



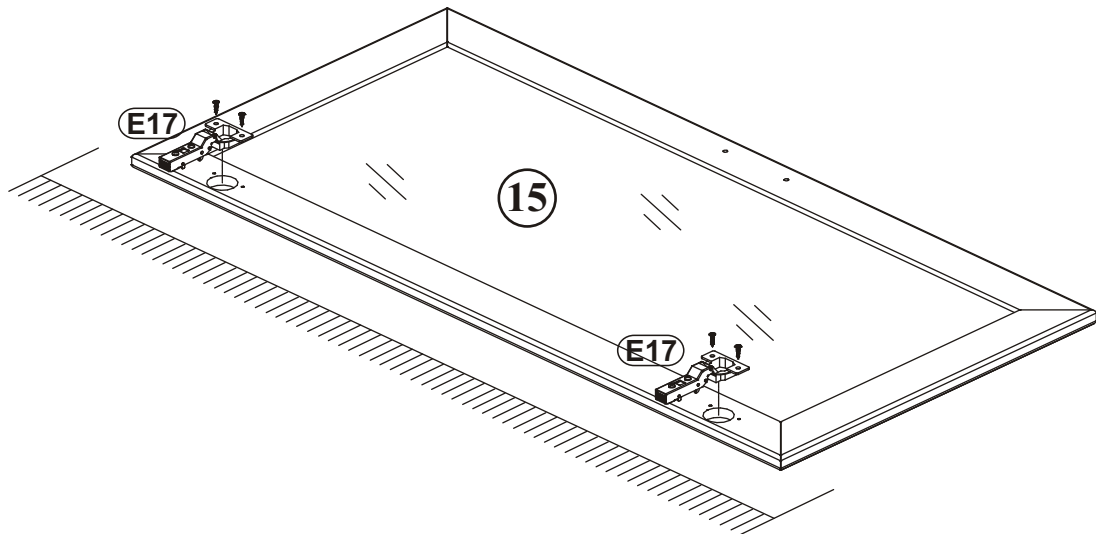
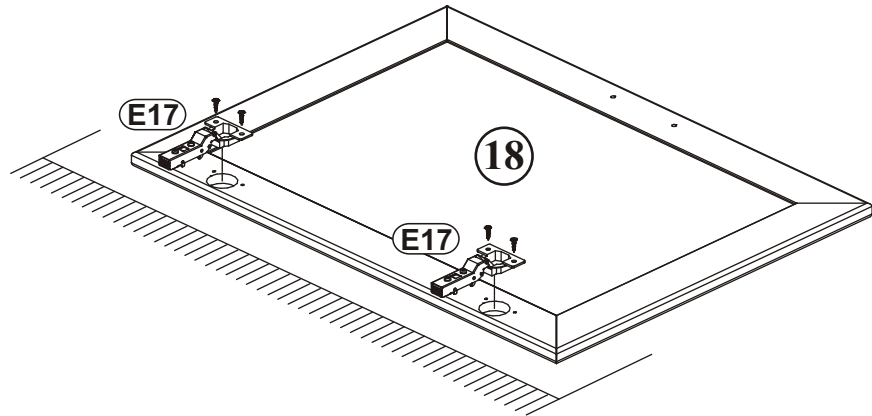
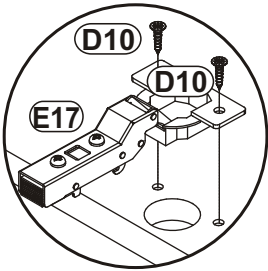
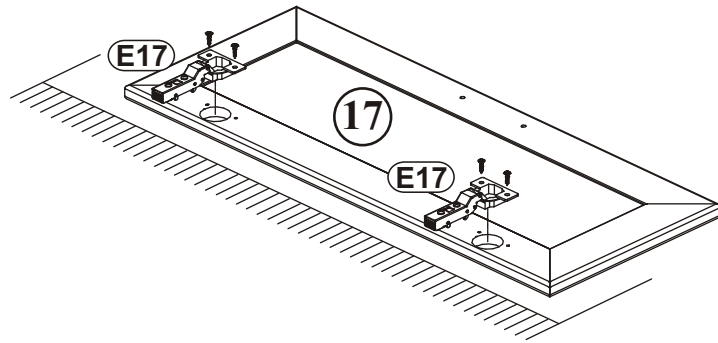
9

B4	
x2	



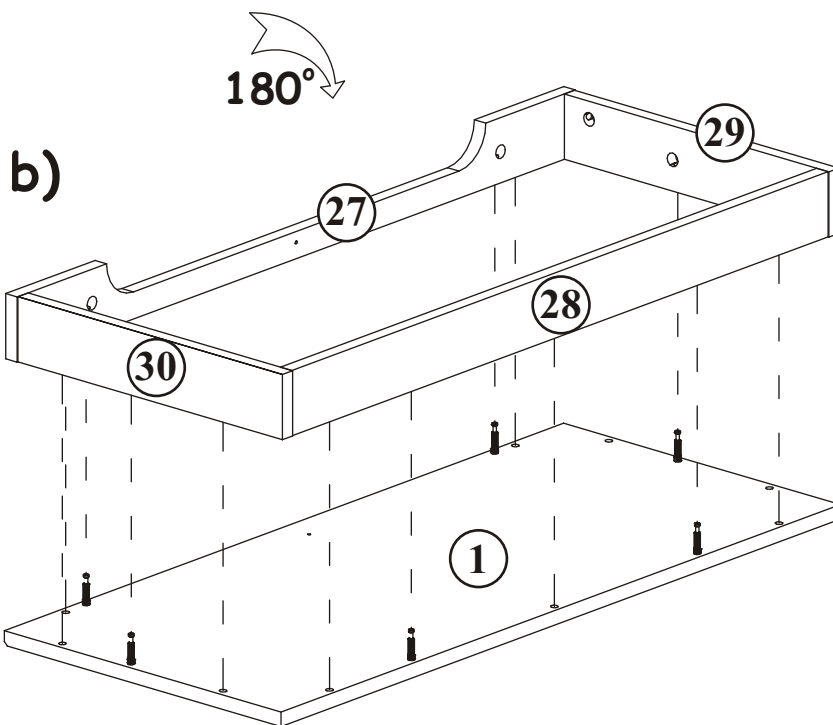
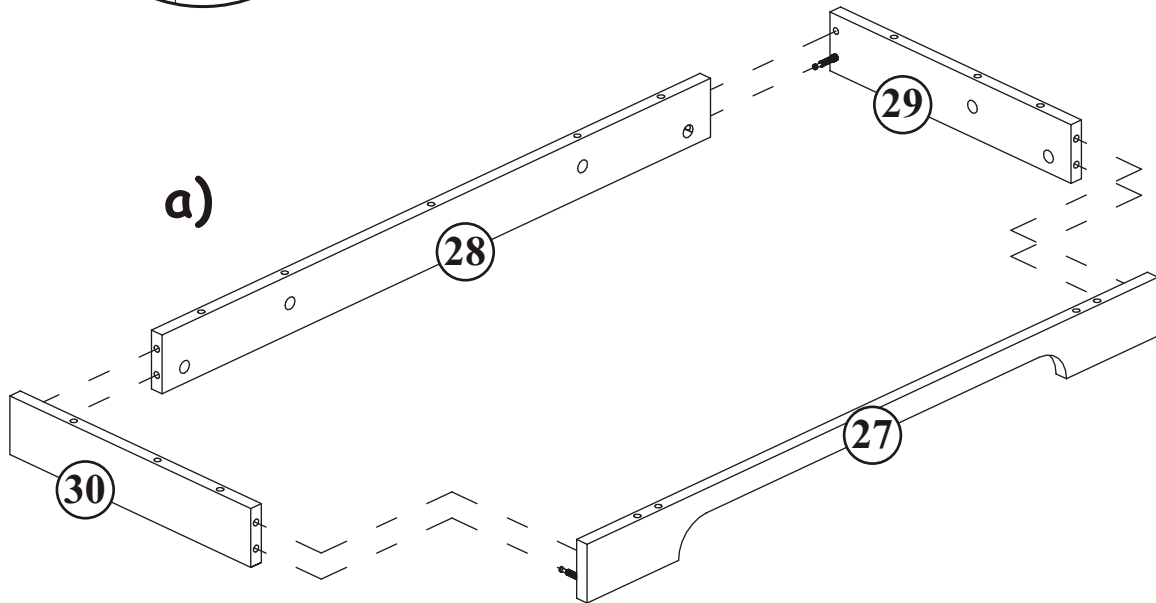
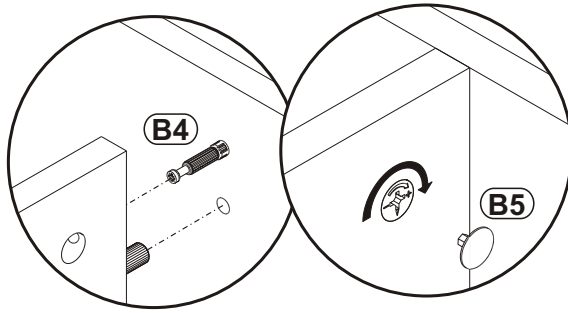
10

E17	
x6	H=16
D10	
x12	USØ3,5x13


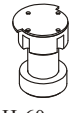
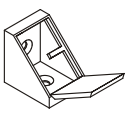
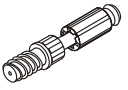




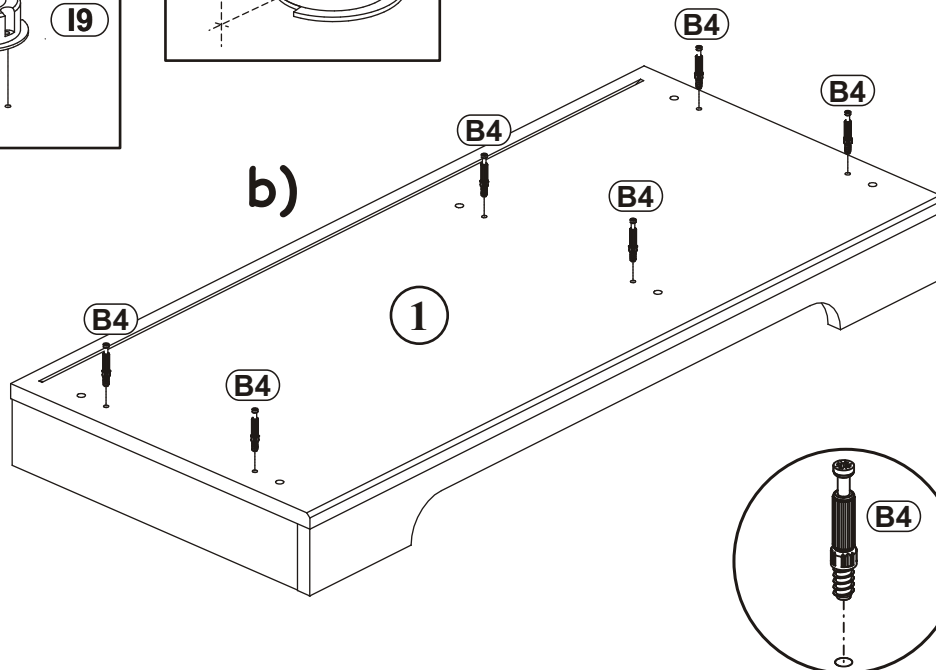
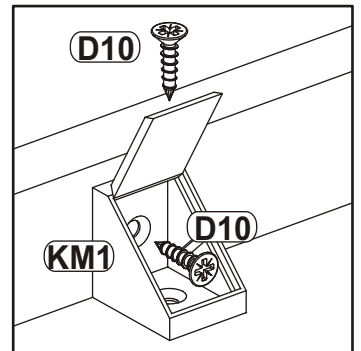
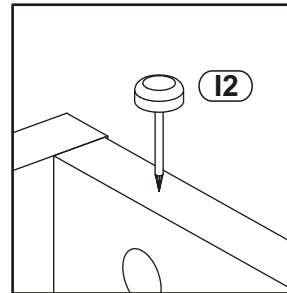
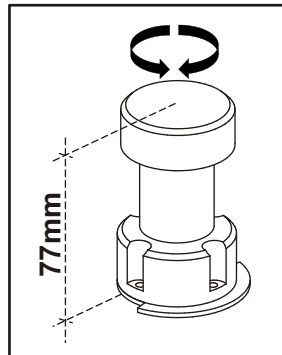
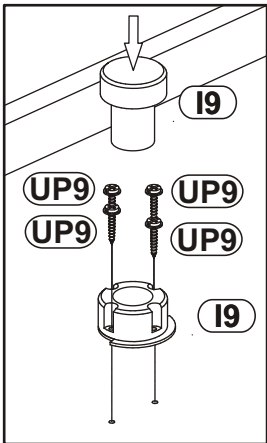
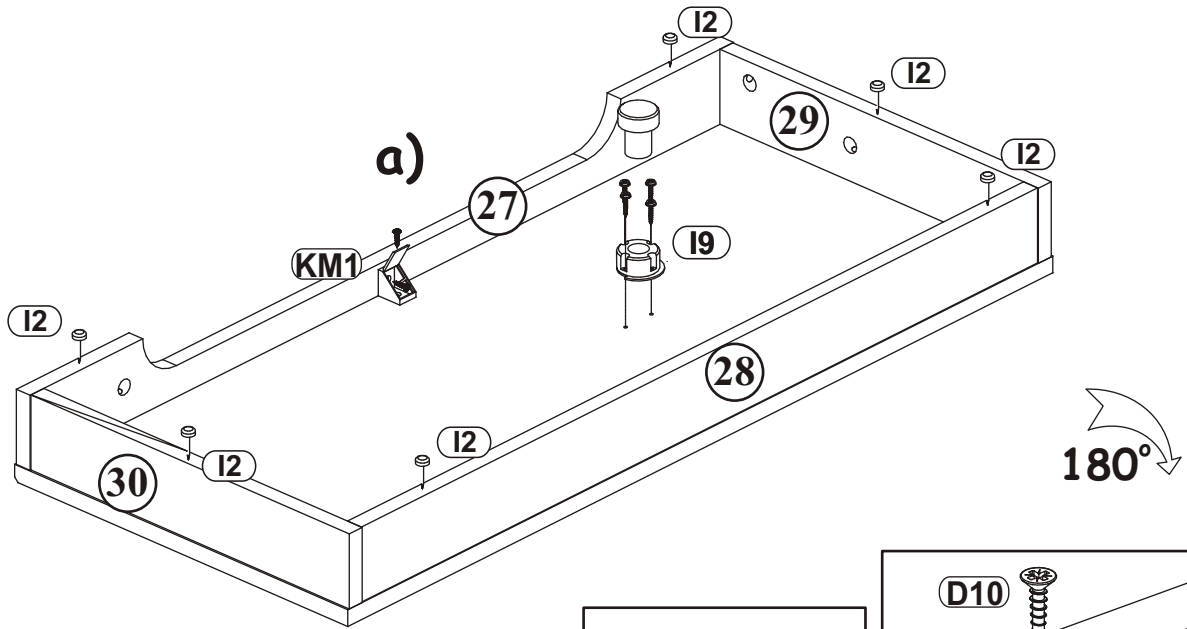




11



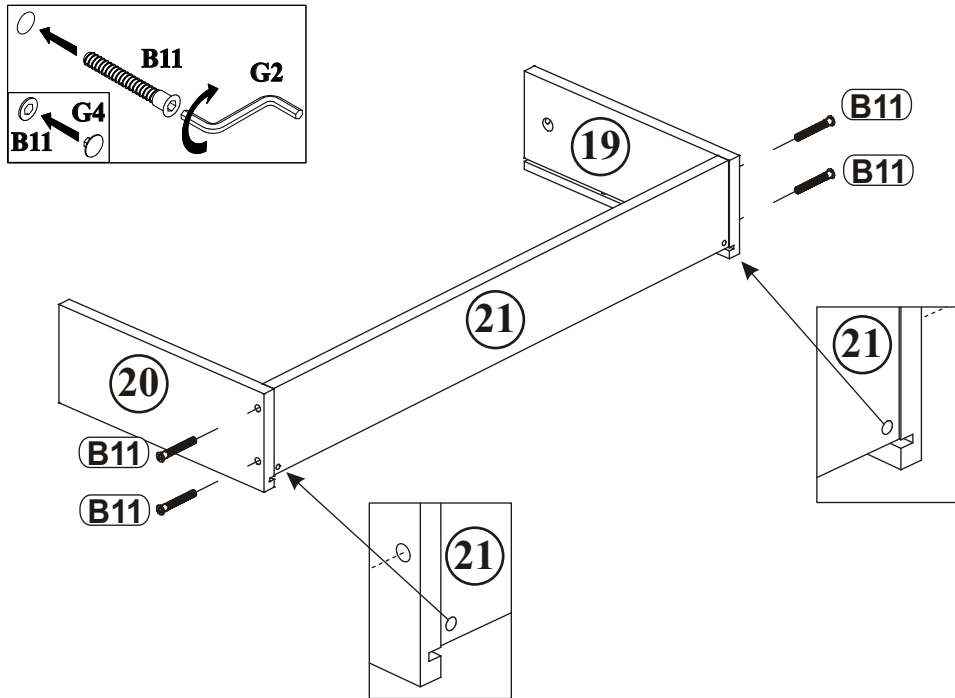
12

UP9 x4	 UPØ3,5x16	I9 x1	 H-60 mm.	KM1 x1		B4 x6	
D10 x2	 USØ3,5x13	I2 x6					




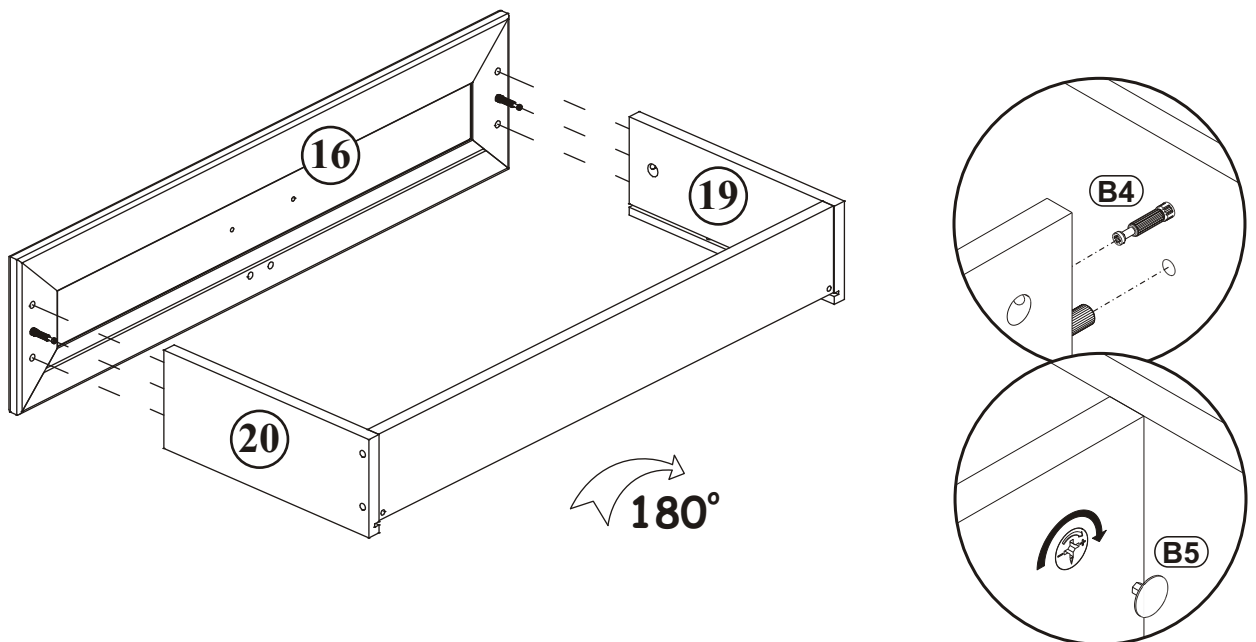
G4		B11	
x4		x4	Ø7x50

13

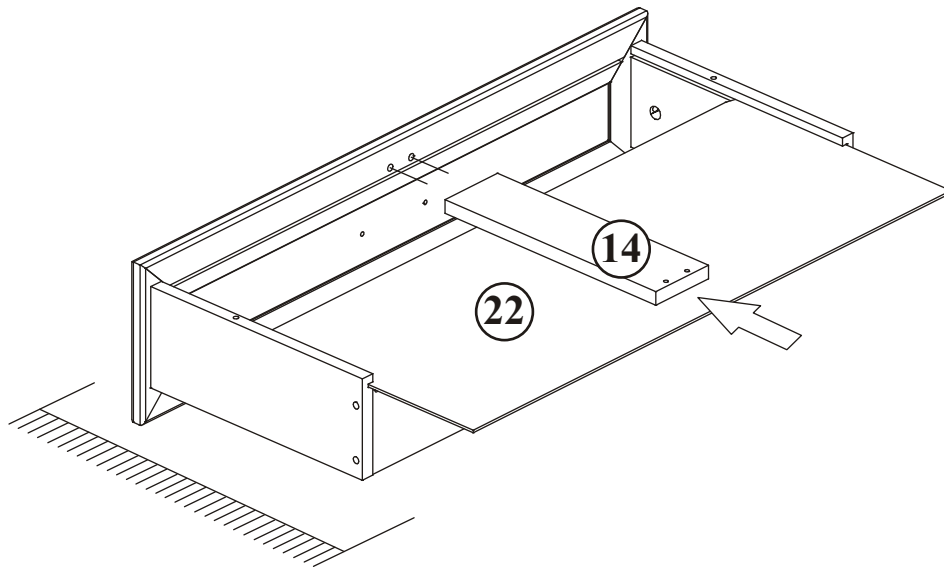


14

G5	
x2	

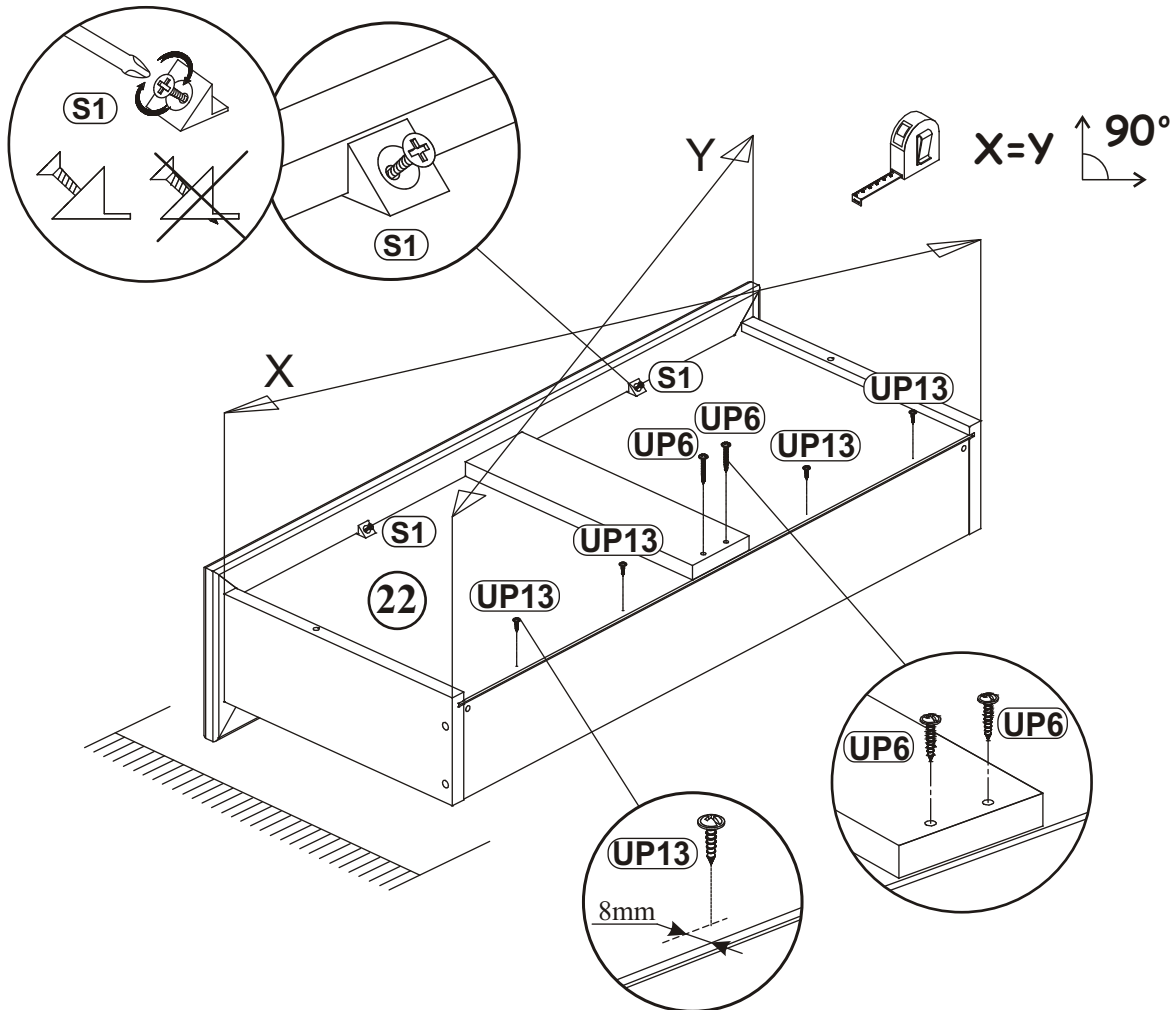


15

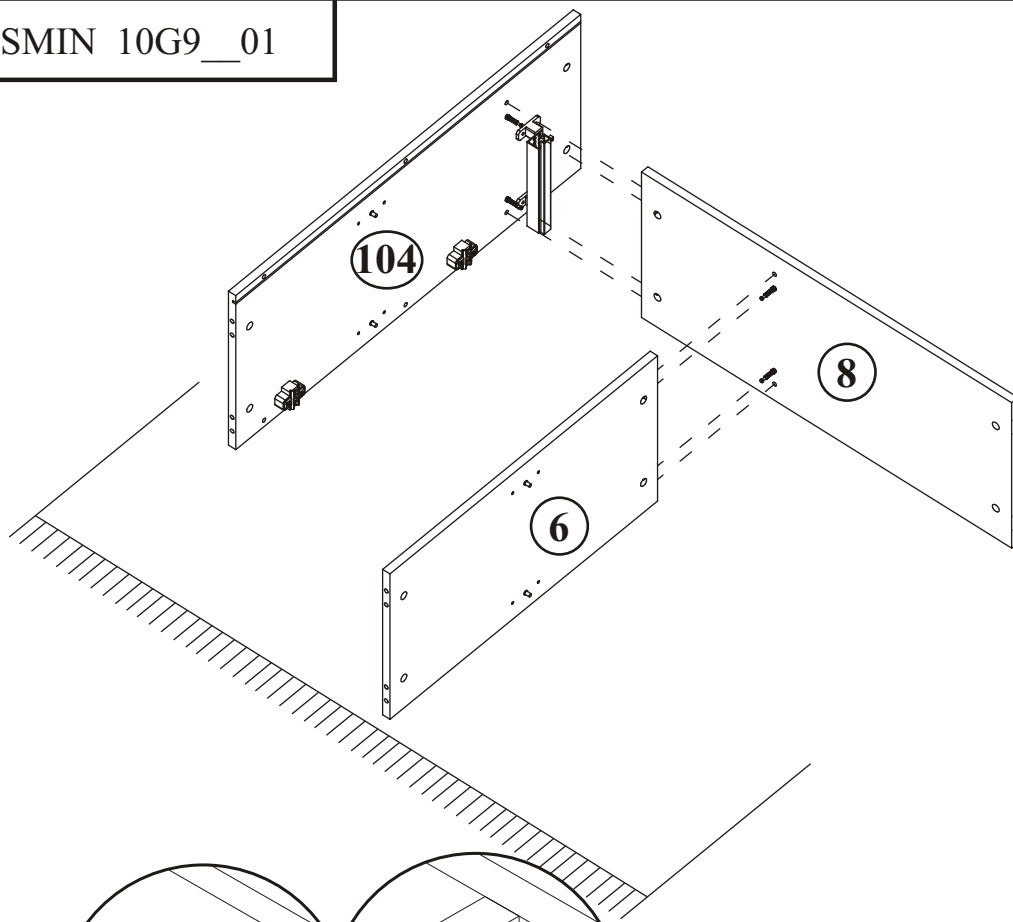



16

S1		UP6		UP13	
x2		x2	UPØ4x30	x4	UPØ3x16

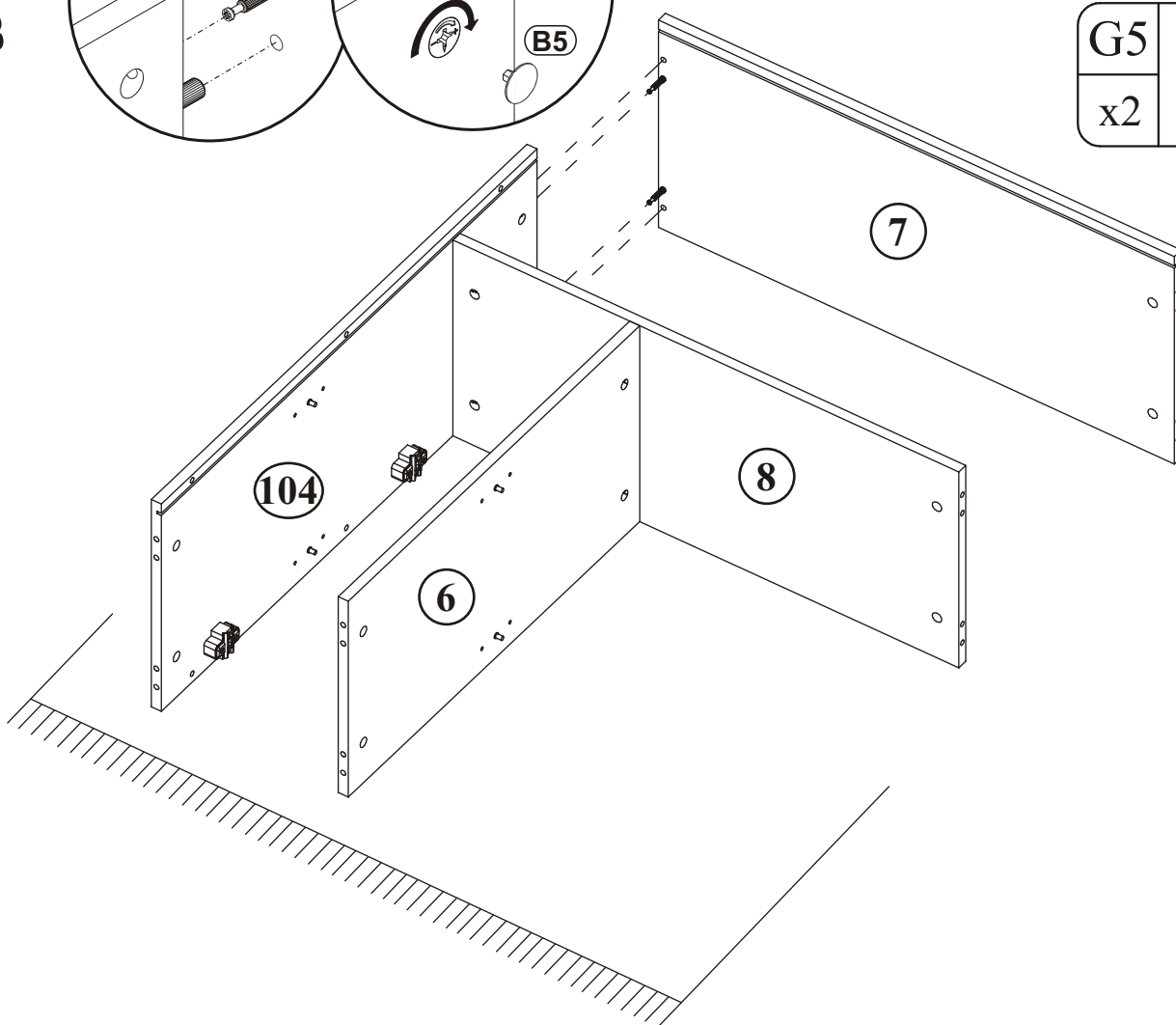
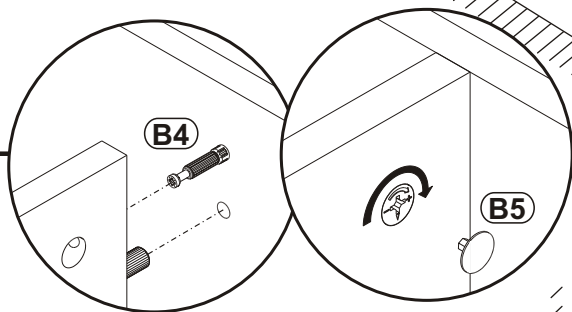



17



G5	
x4	


18

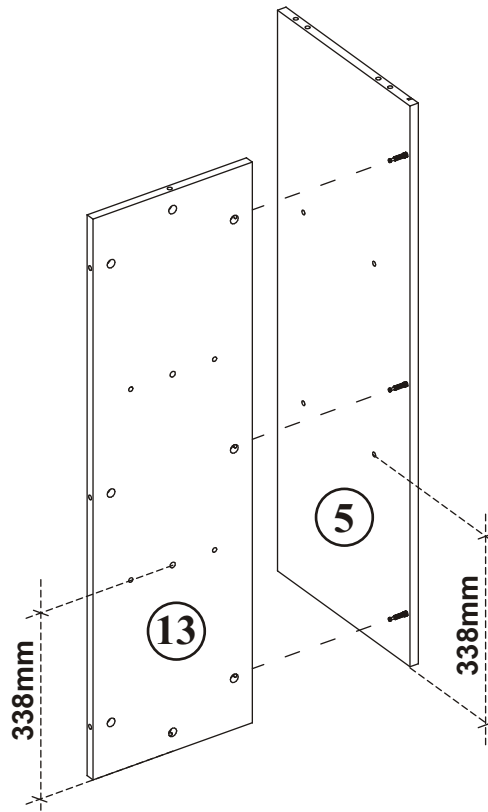
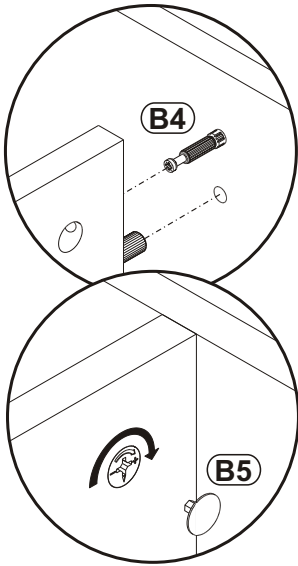


G5	
x2	

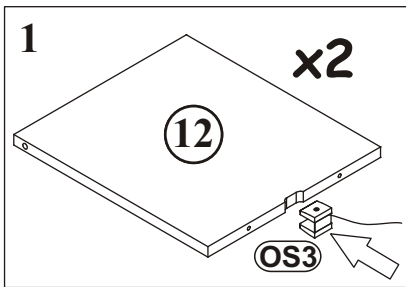


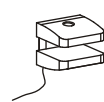
19


G5	
x3	

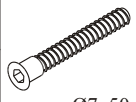


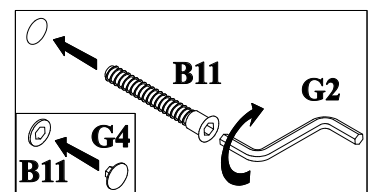
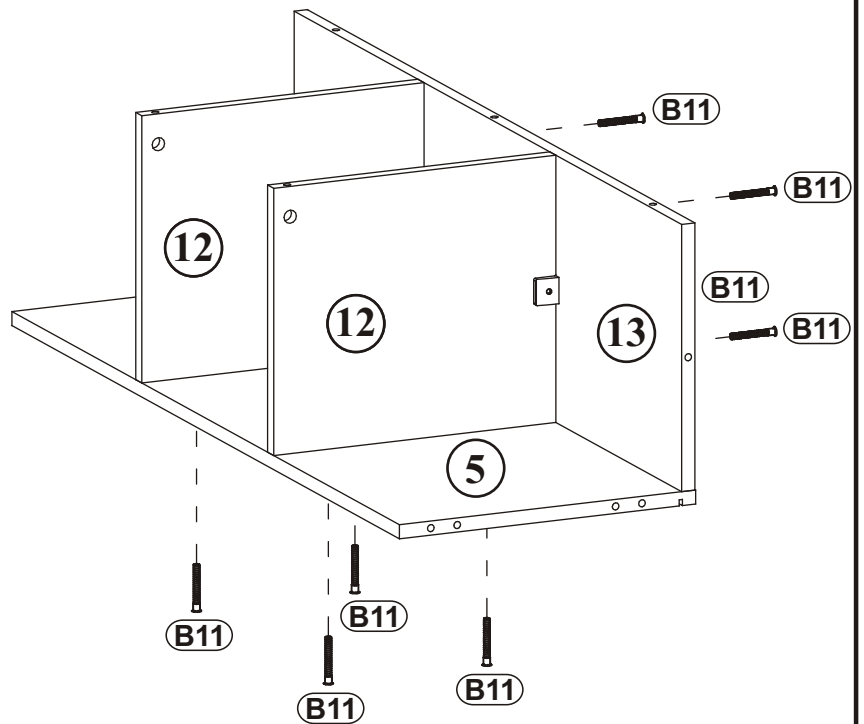
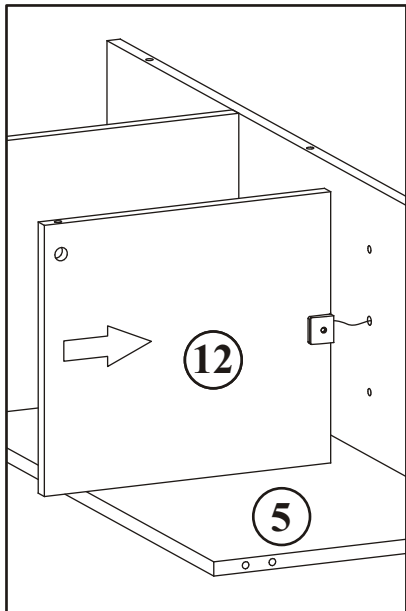
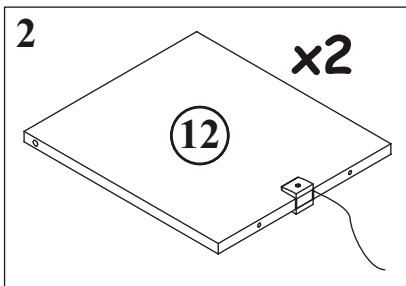
20




OS3	
x2	

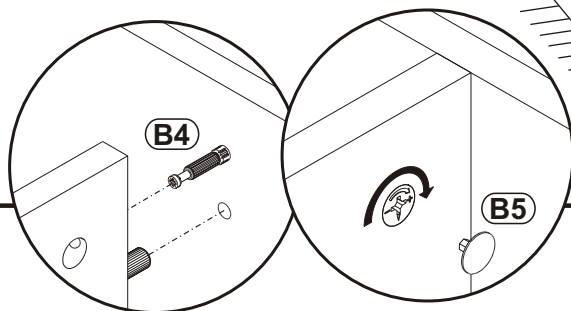
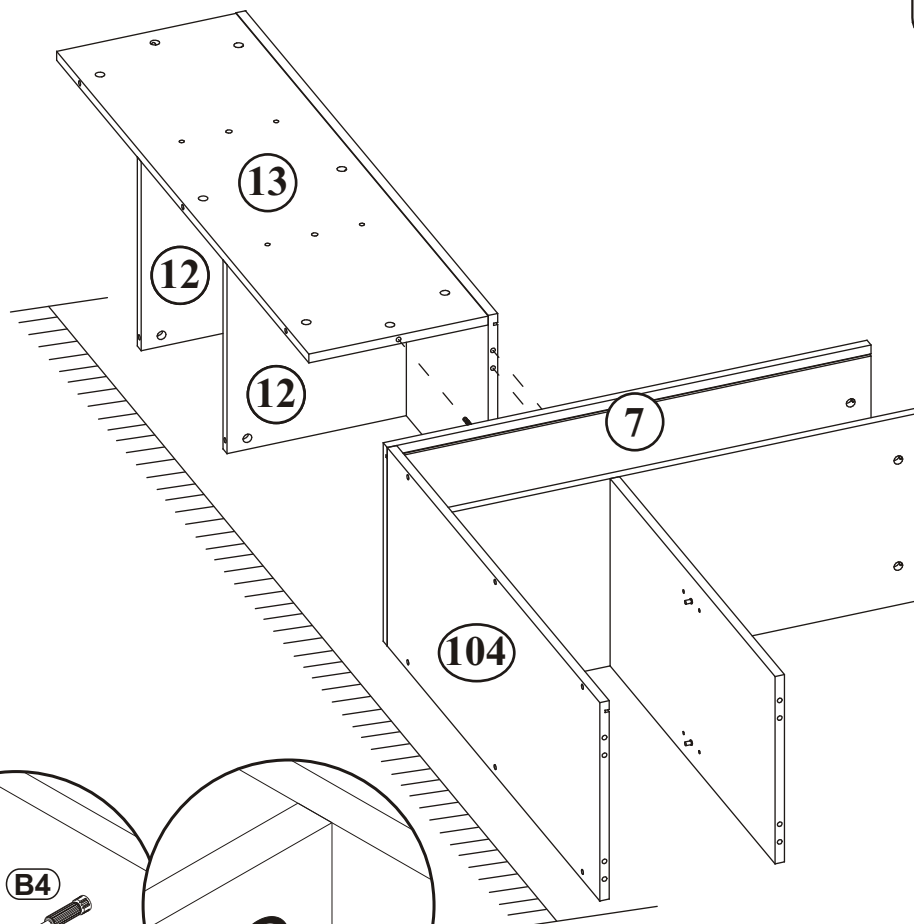
G4	
x8	

B11	
x8	Ø7x50




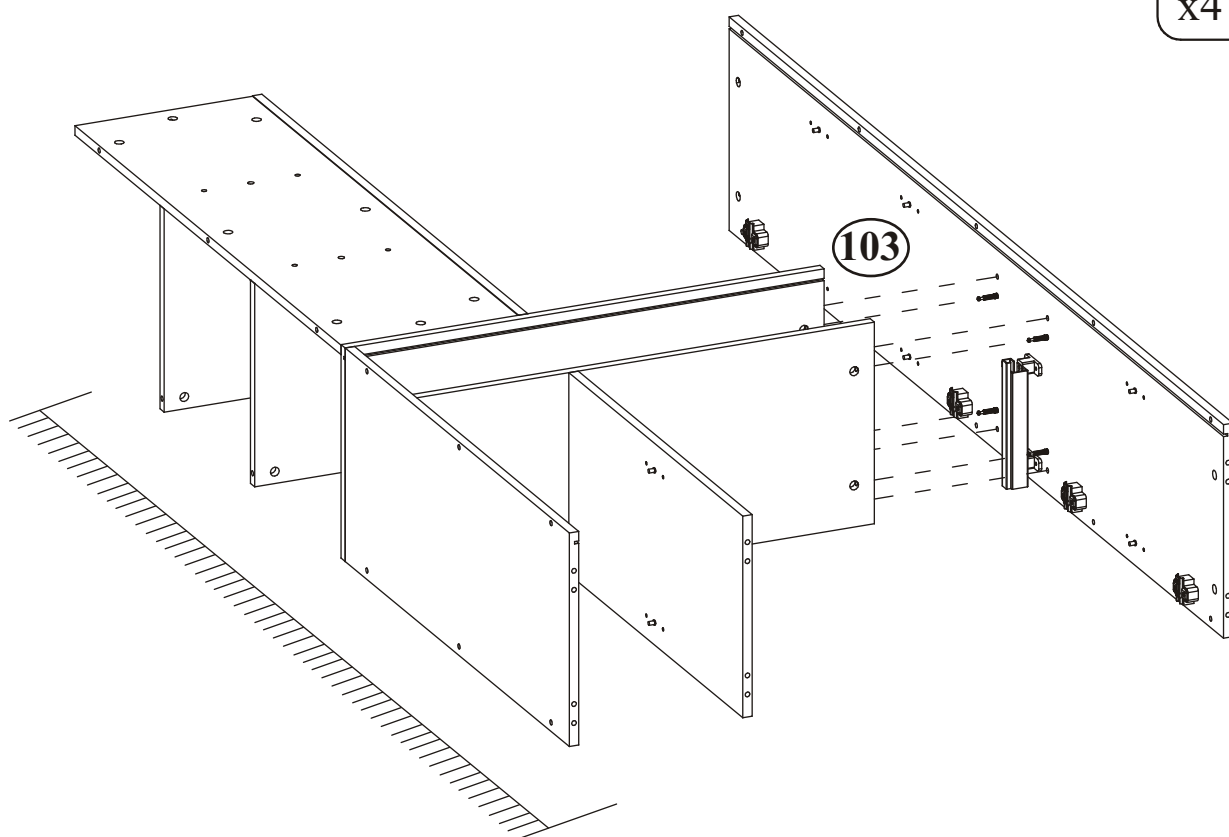
G5	
x3	

21





22


G5	
x4	

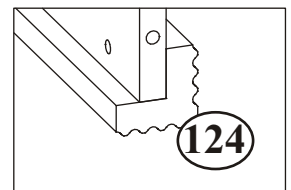
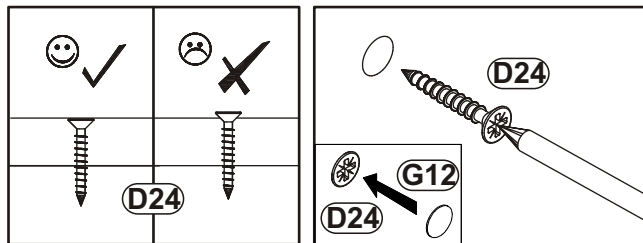
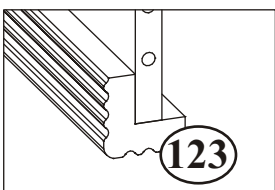
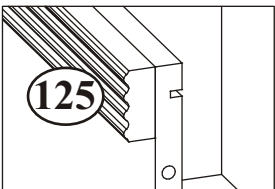
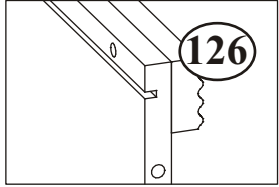
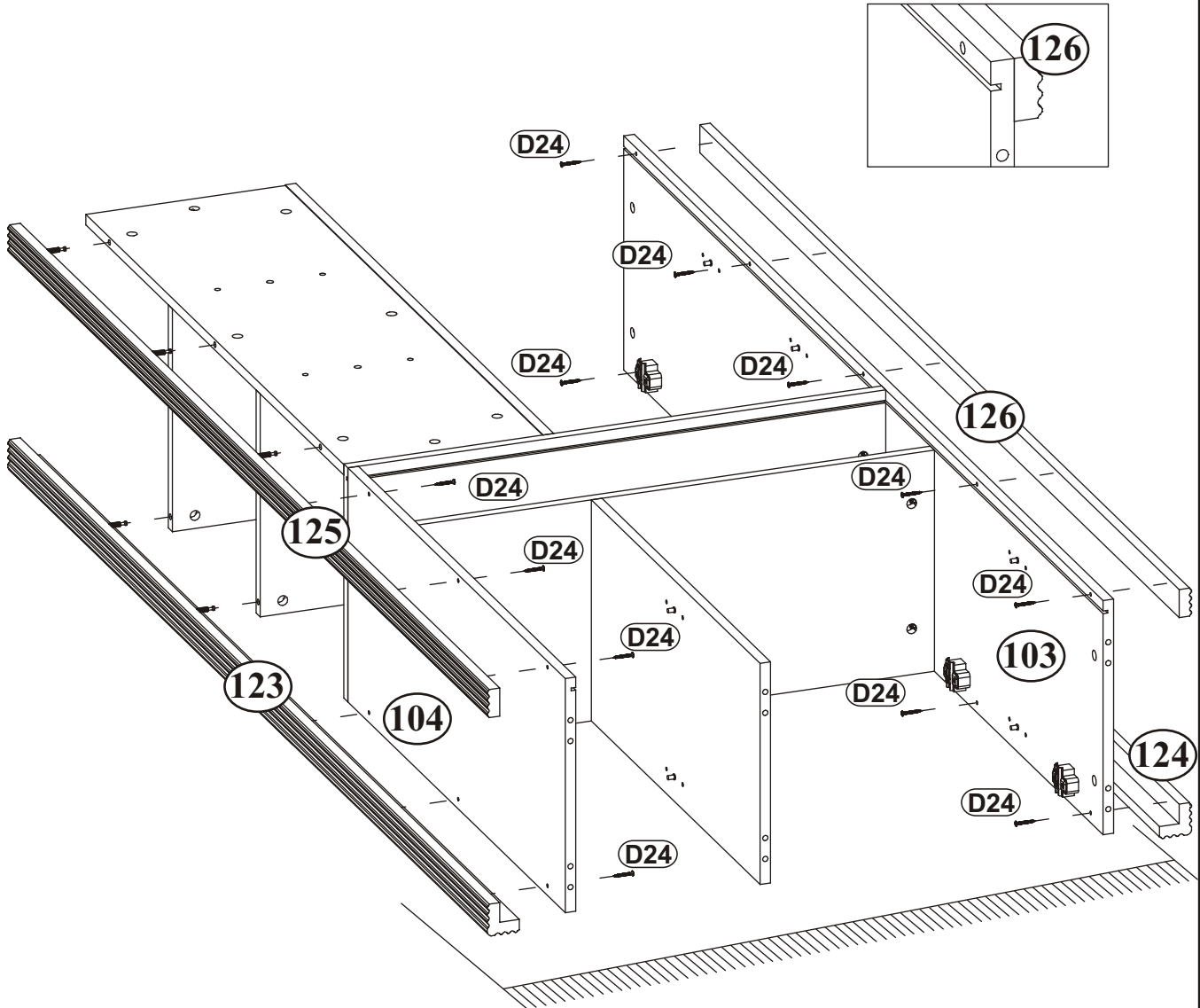


23

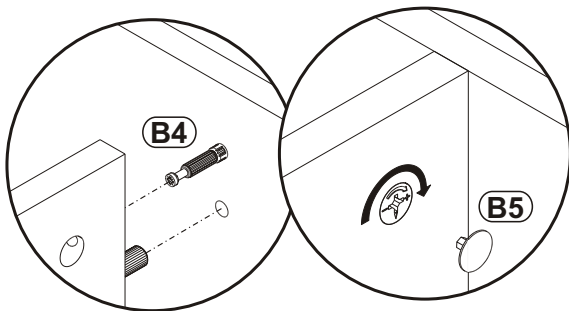
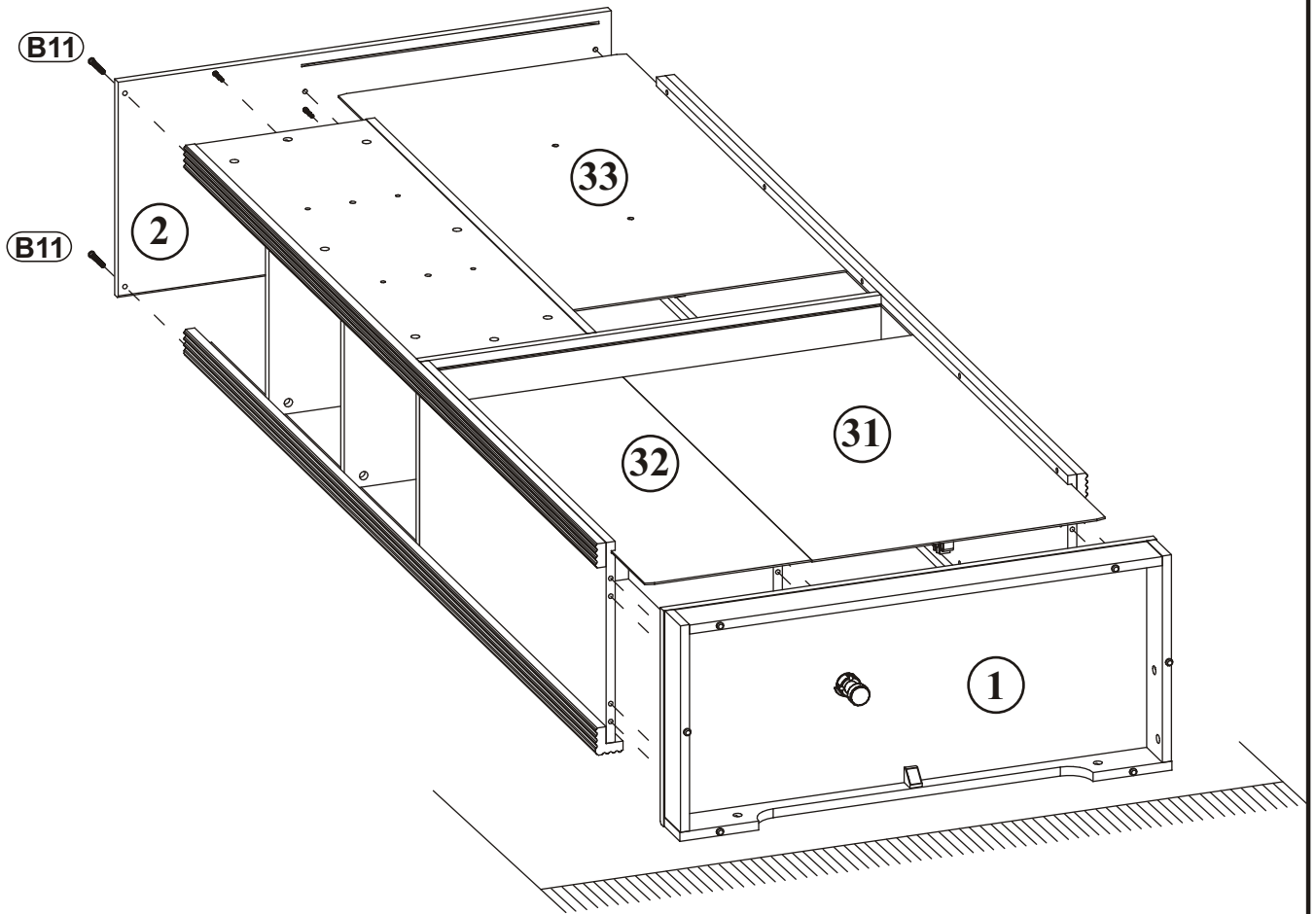
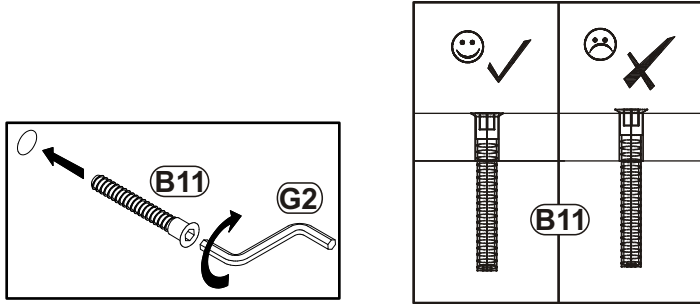
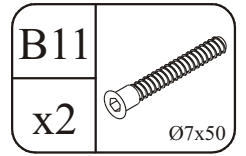
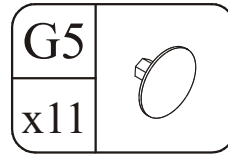
G12	
x16	Ø14

D24	
x16	USØ4x30

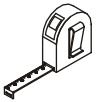
G5	
x5	



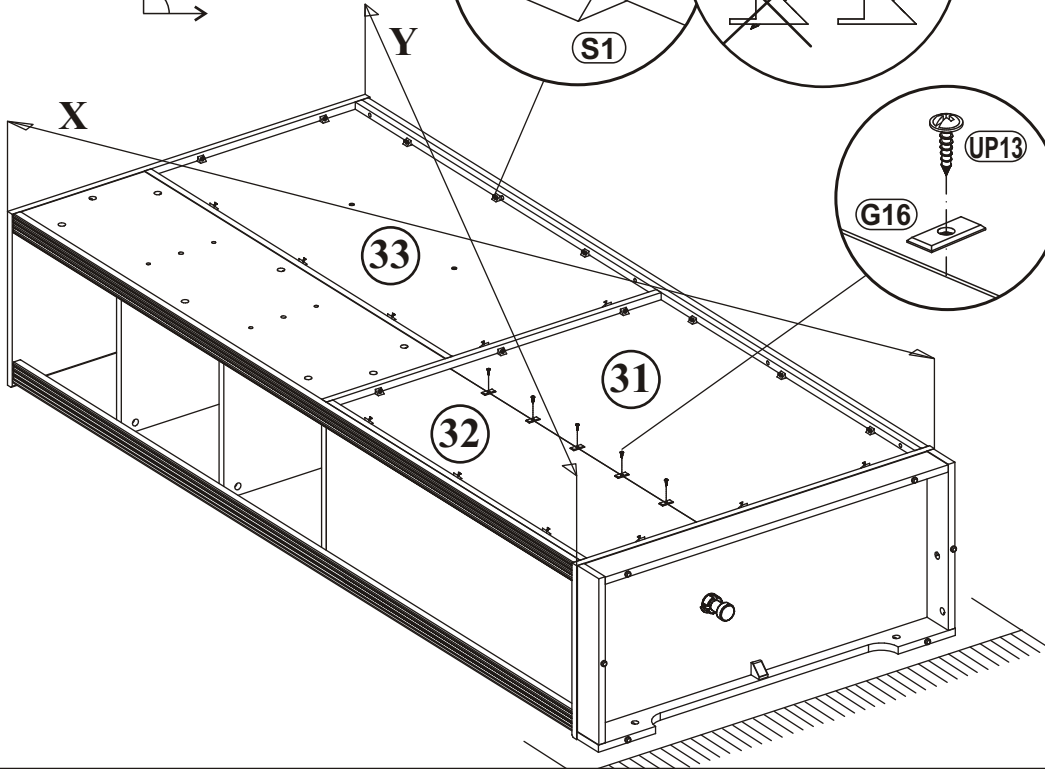
24



25



X=Y 90°

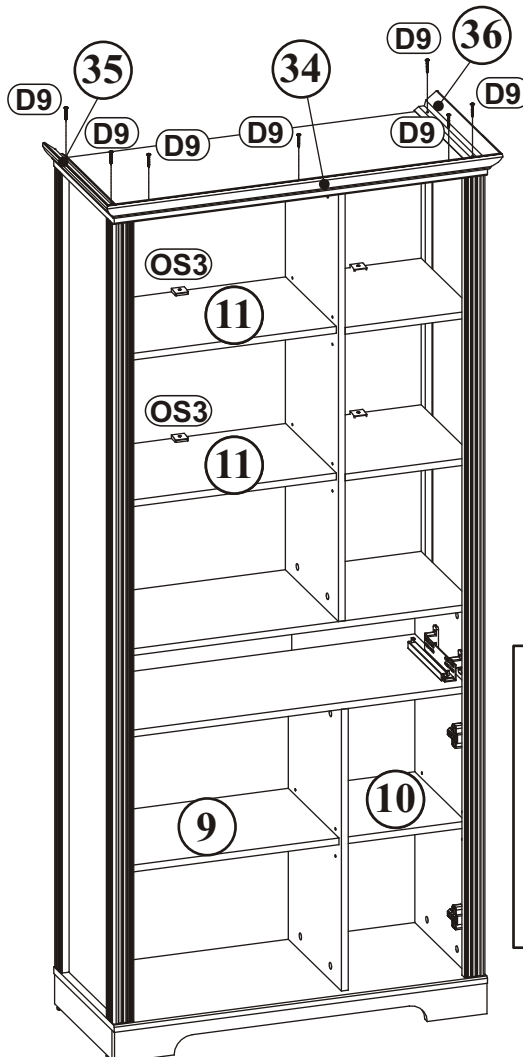
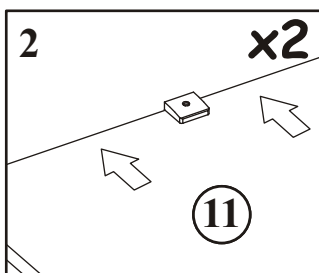
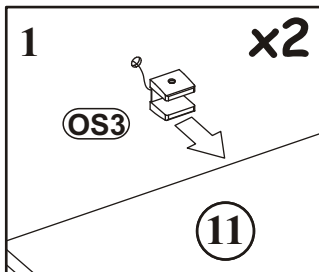
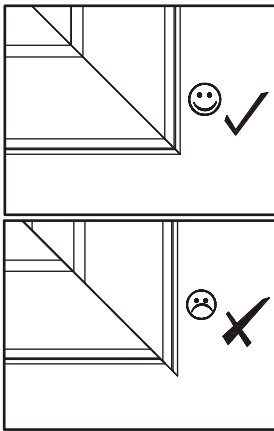


S1	
x22	

UP13	
x5	UPØ3x16

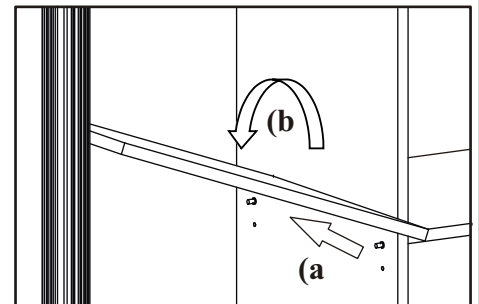
G16	
x5	

26

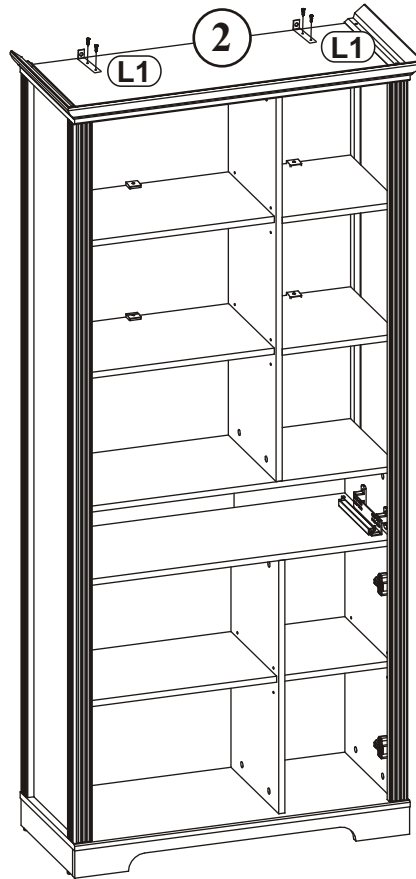
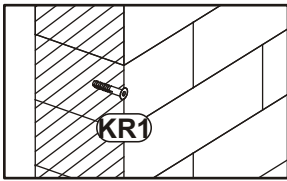
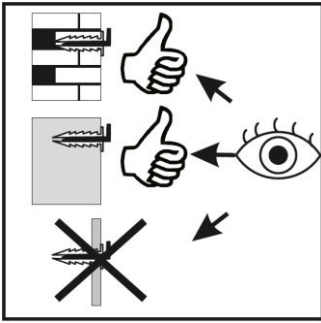
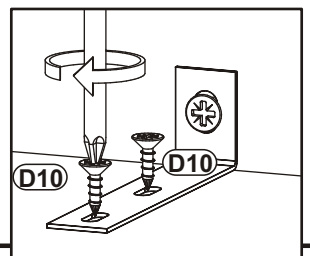
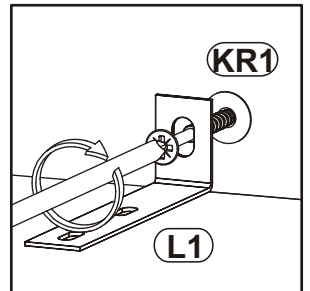
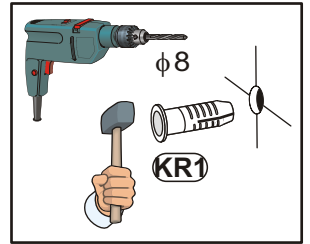
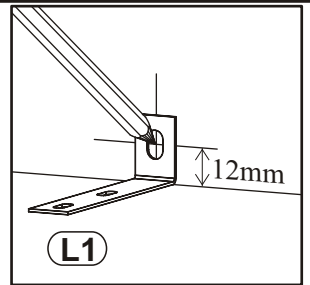
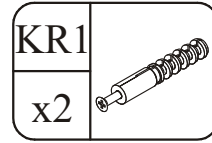
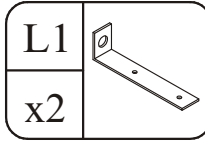
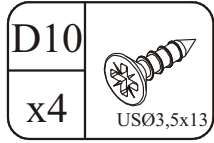


D9	
x7	USØ3x20

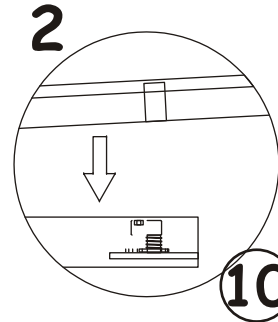
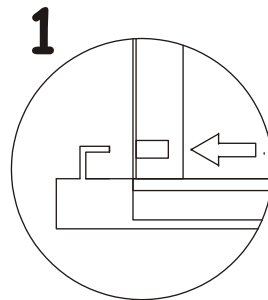
OS3	
x2	



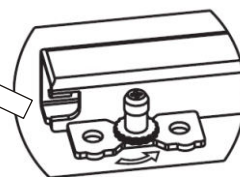
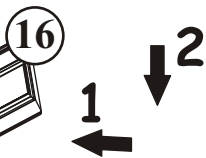
27



28

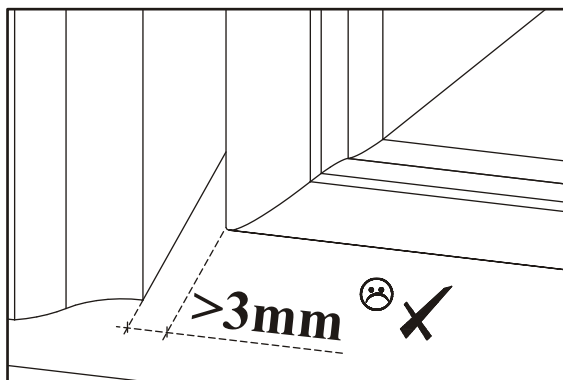
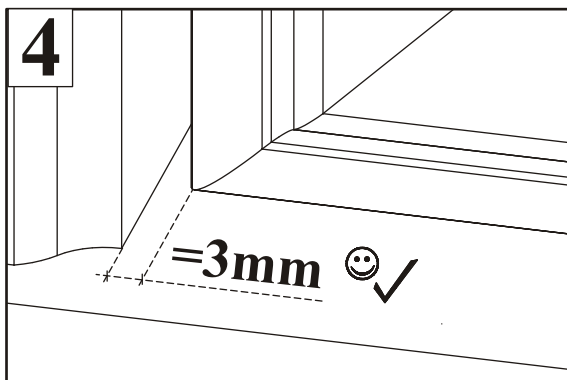
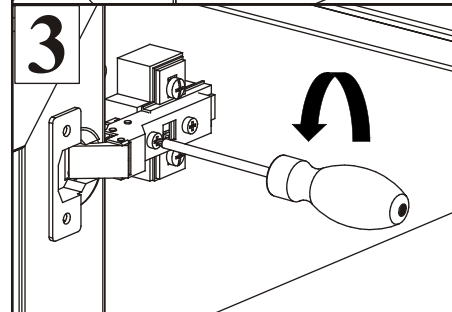
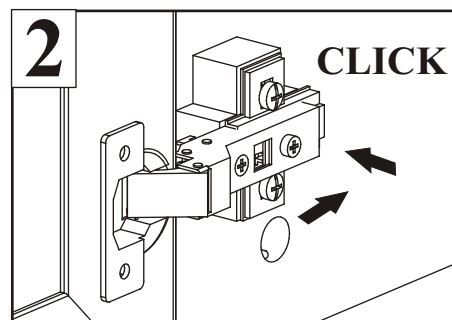
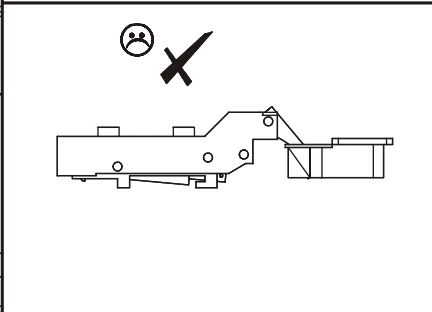
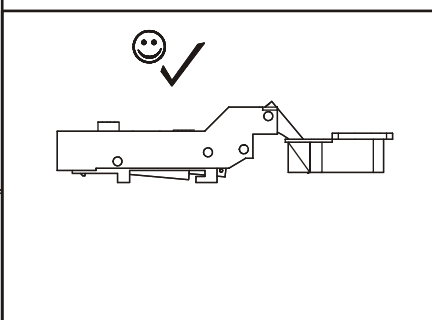
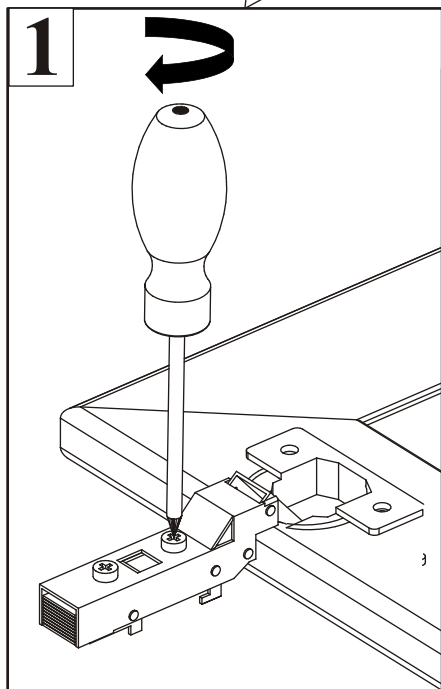
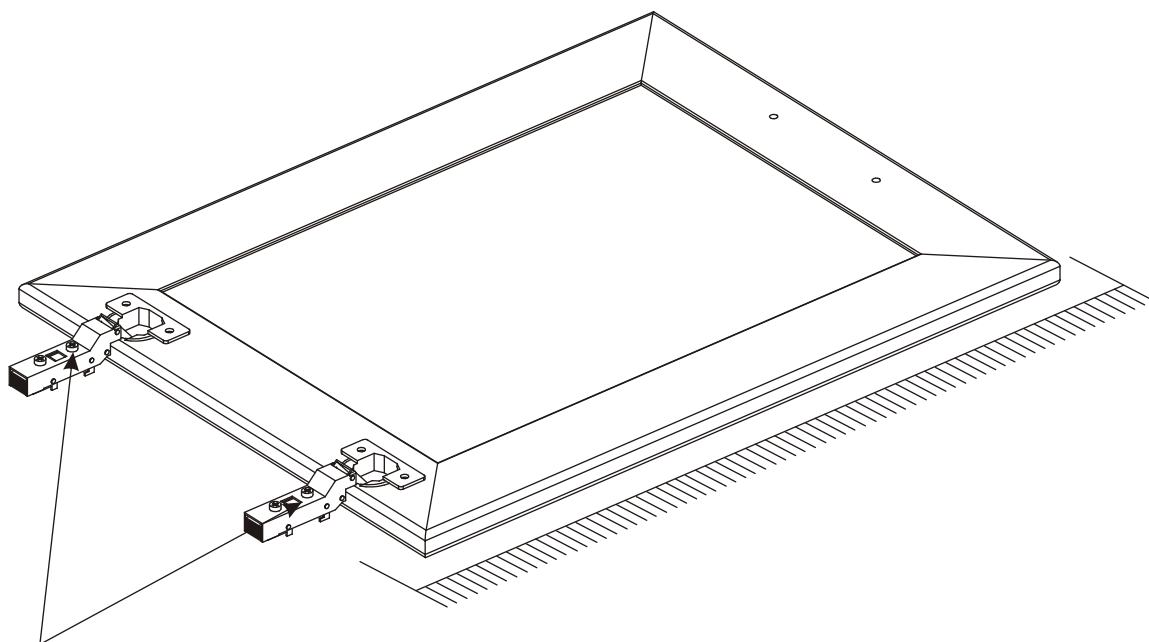


10

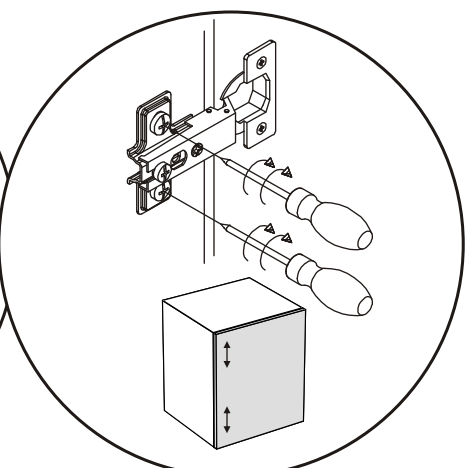
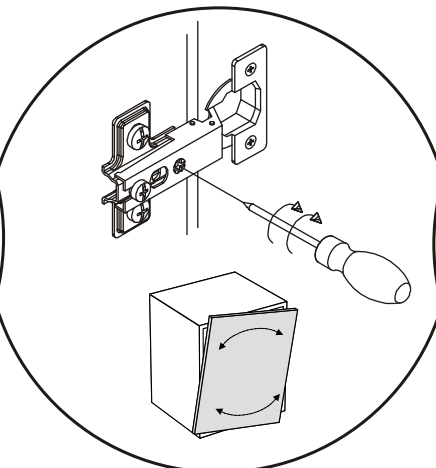
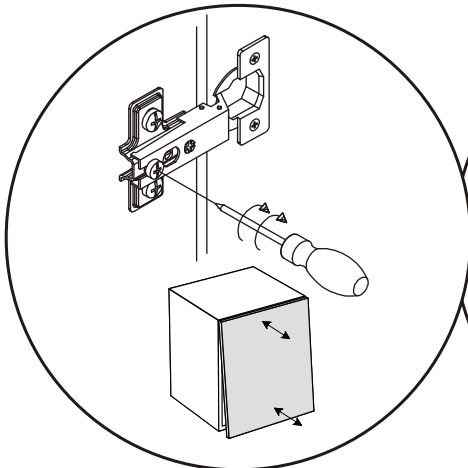
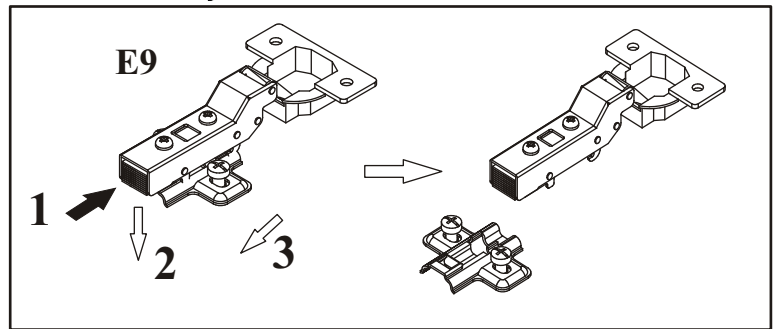
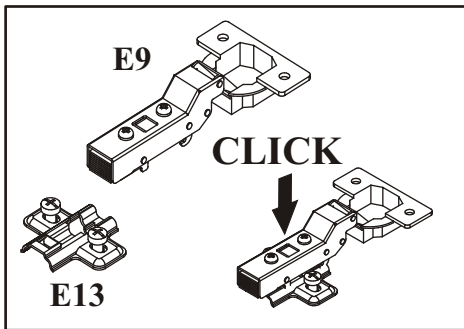
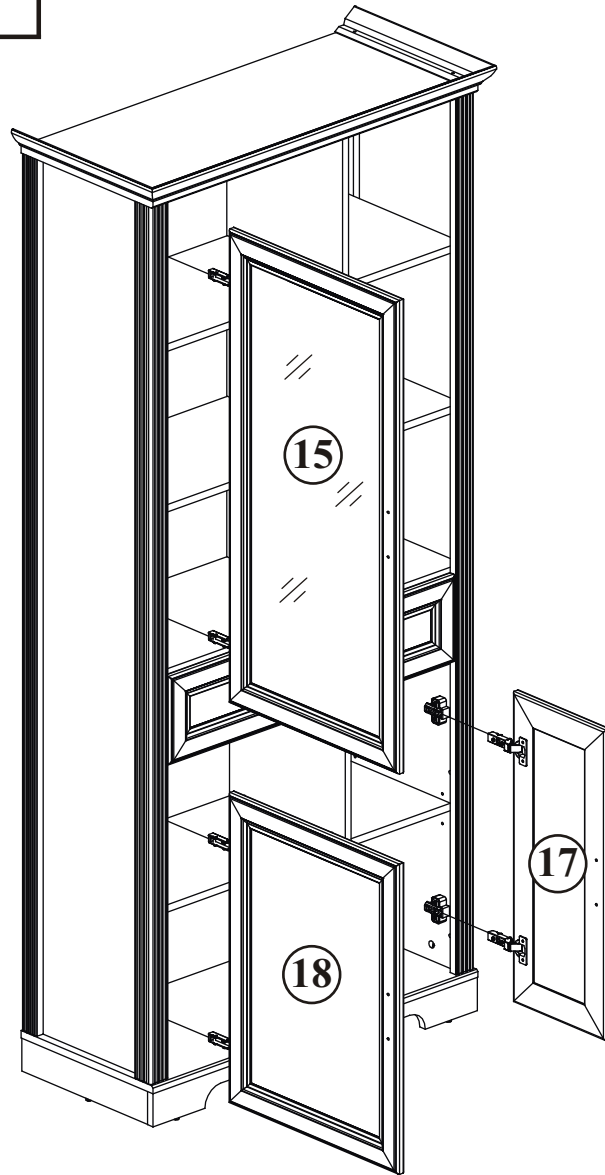


↑ +4 mm

29

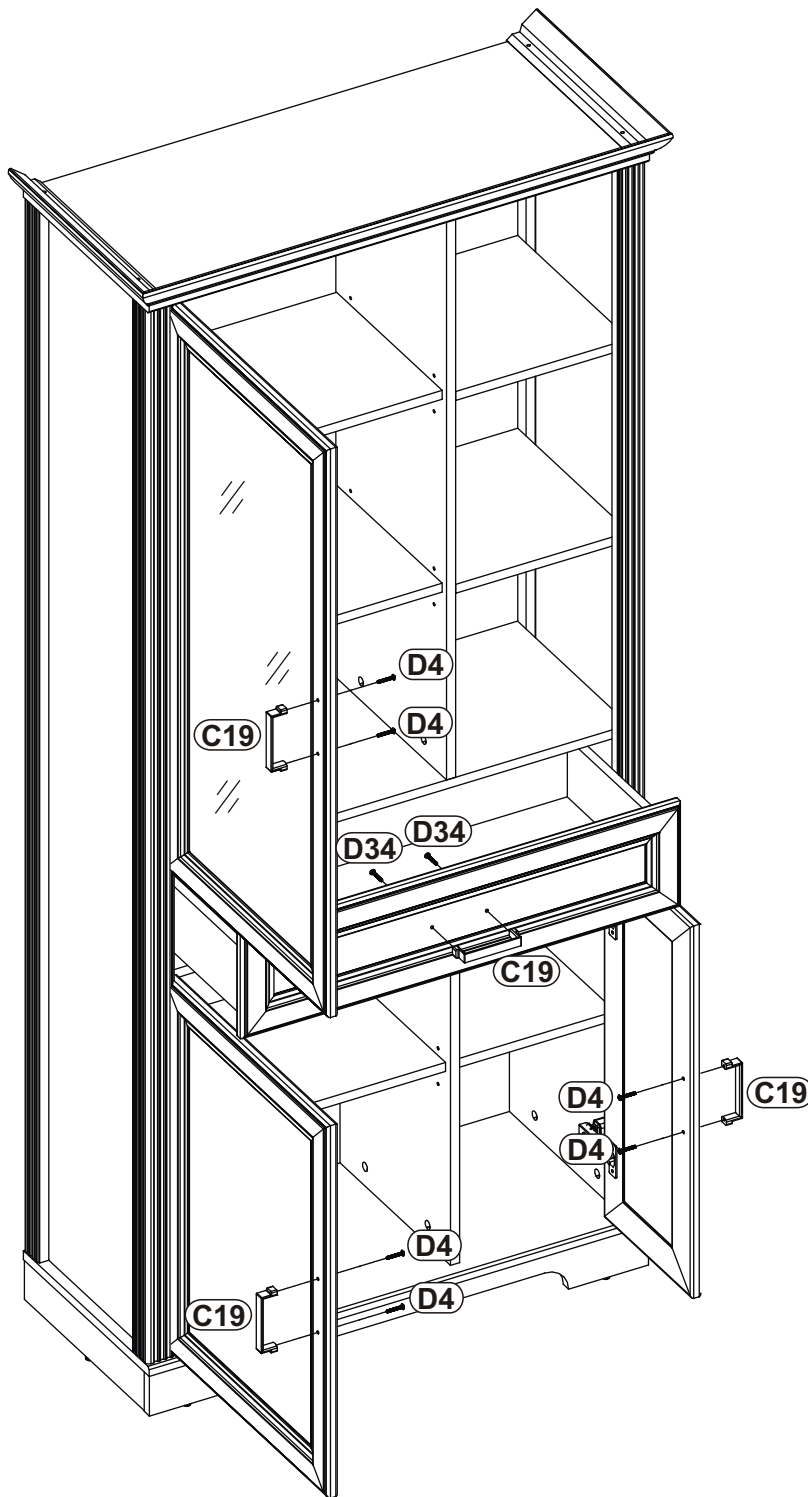
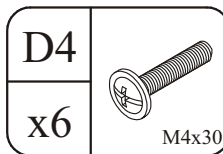
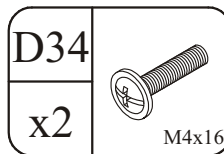
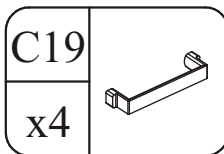


30

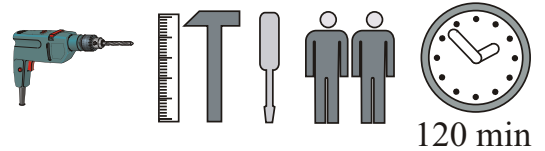
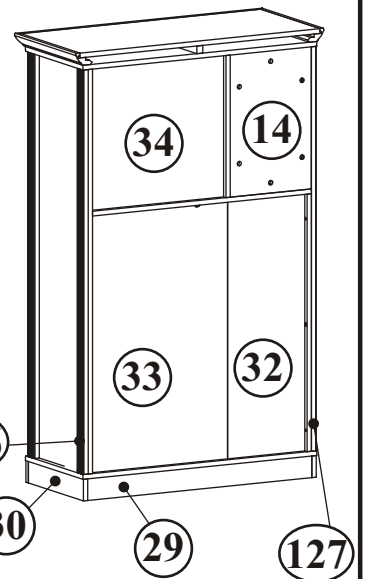
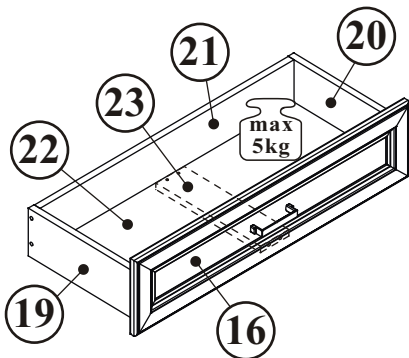
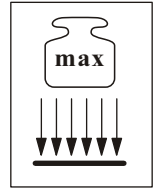
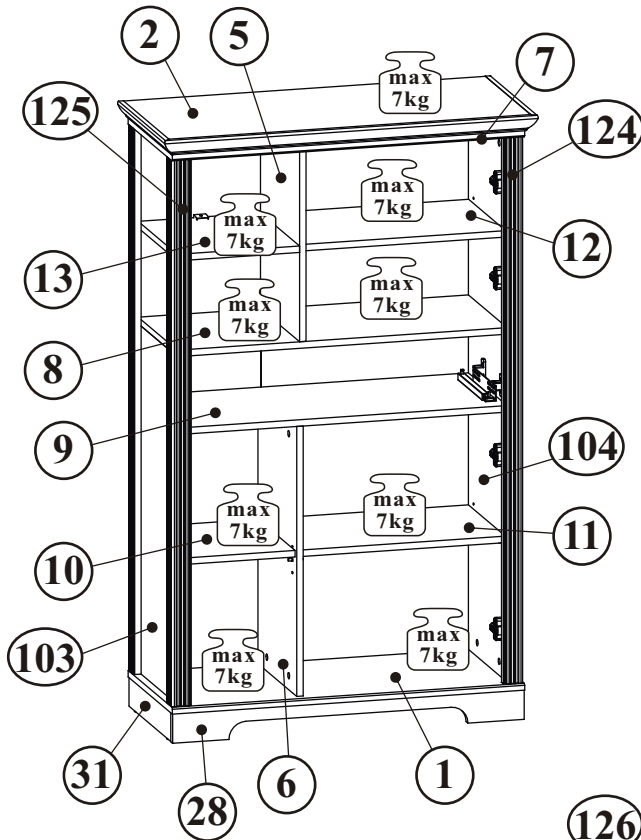
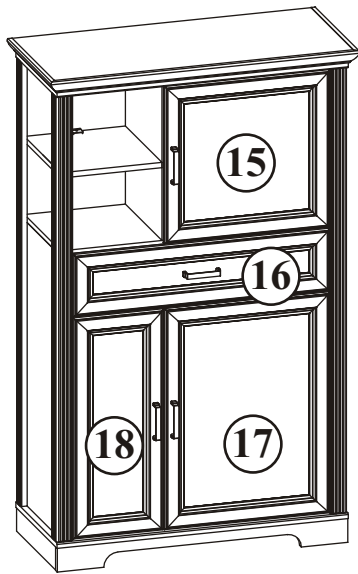




31



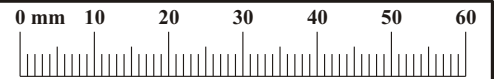
# JASMIN 10G9\_06



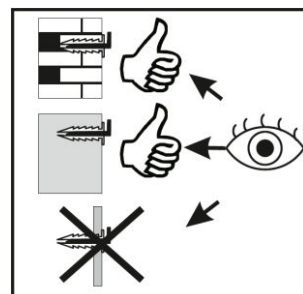
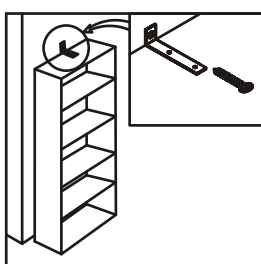
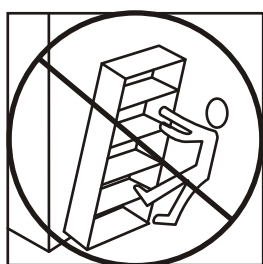
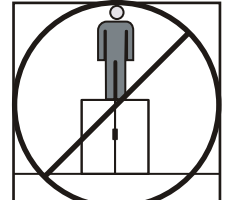
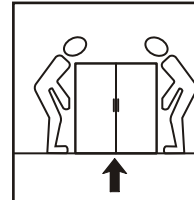
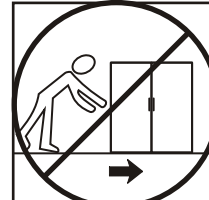
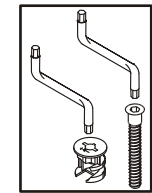
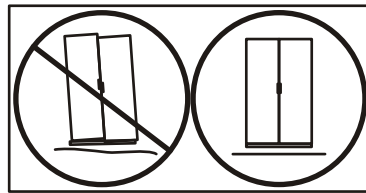
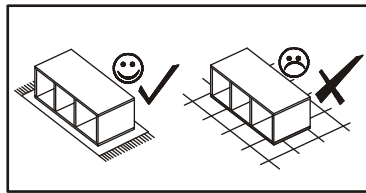
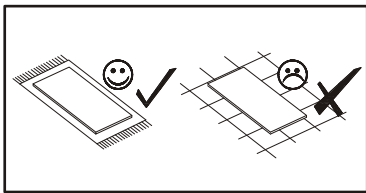
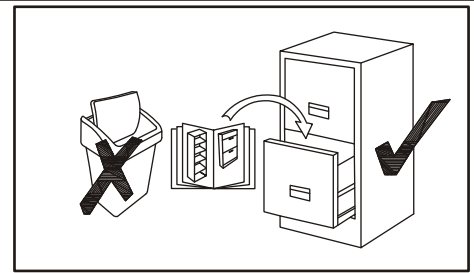
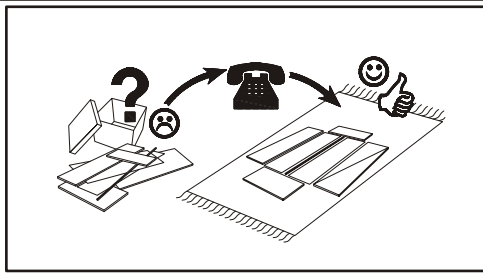
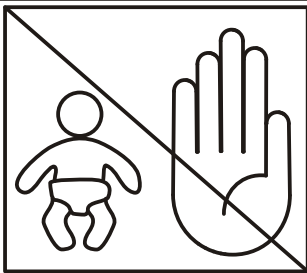
120 min

NO	Dim.			Col.-No	Qty
1	876	386	16	2	1
2	929	412	42	2	1
103	857	359	16	1	1
104	1346	359	16	2	1
5	473	359	16	1	1
6	665	339	16	1	1
7	876	386	16	3	1
8	820	359	16	3	1
9	804	339	16	3	1
10	281	324	16	1	1
11	507	324	16	1	1
12	500	324	16	1	1
13	304	342	16	1	1
14	473	304	16	1	1
15	476	496	22	3	1
16	770	188	22	3	1
17	668	496	22	3	1

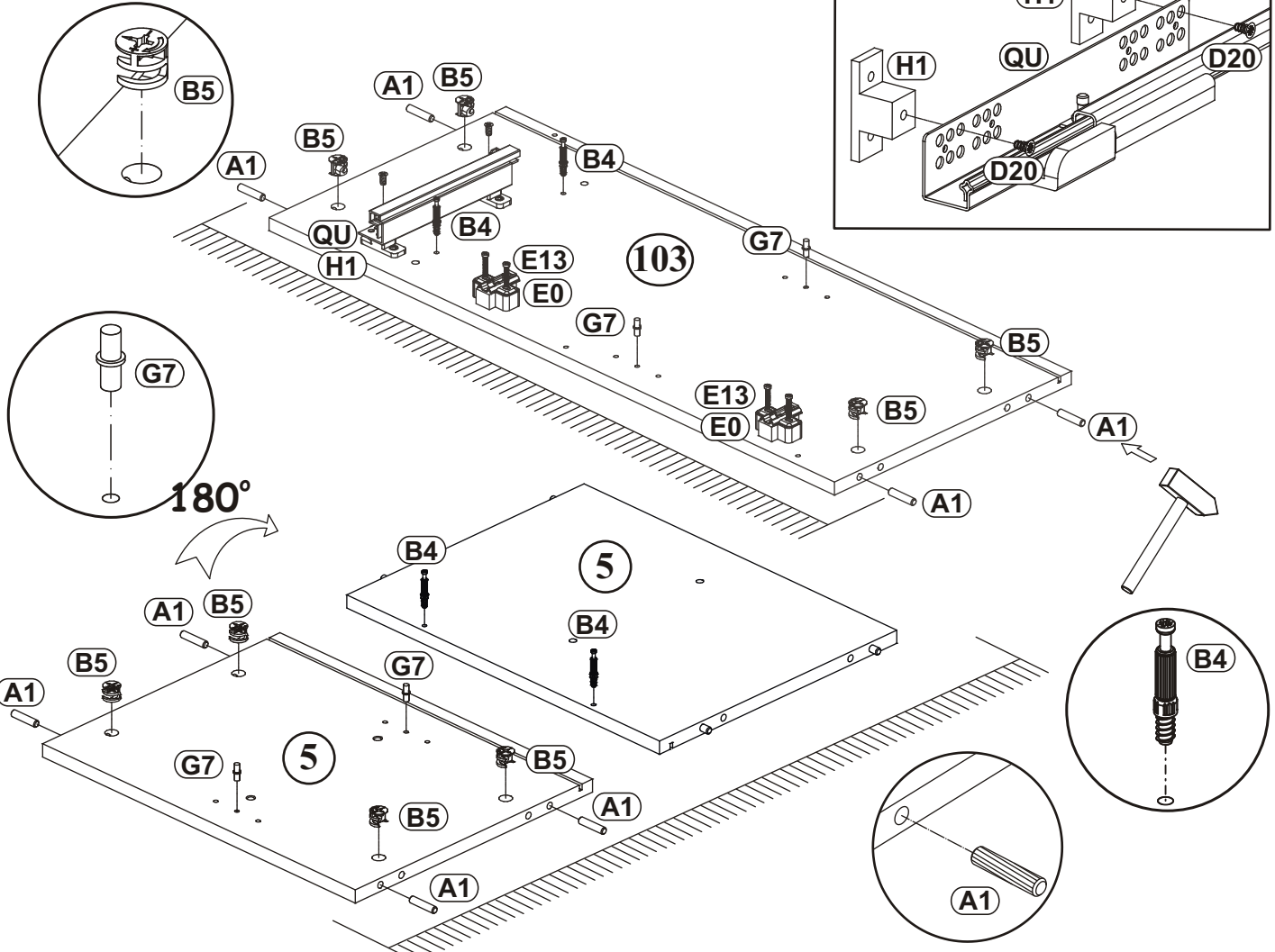
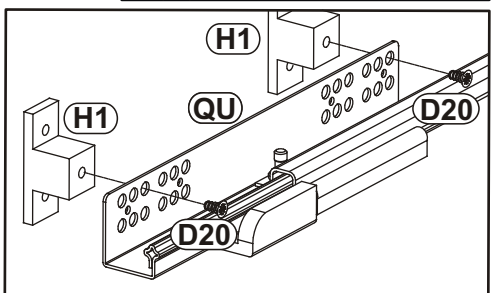
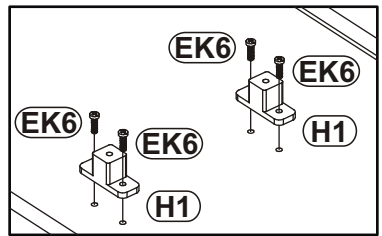
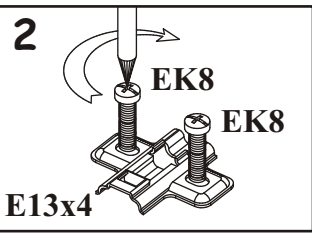
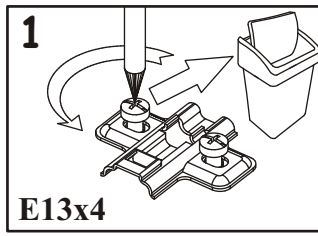
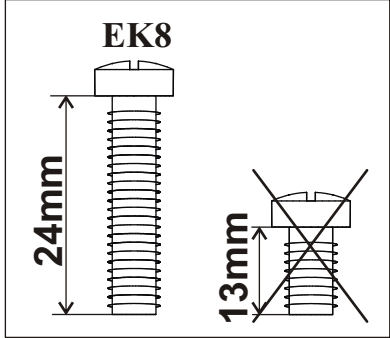
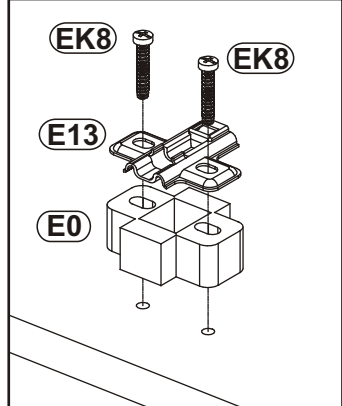
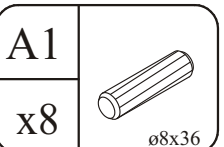
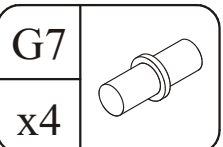
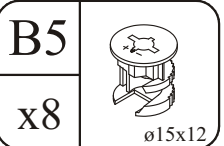
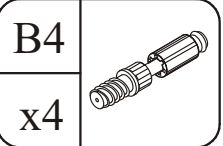
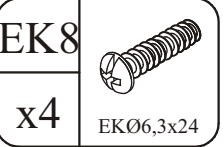
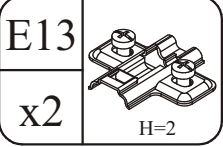
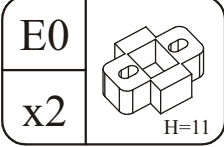
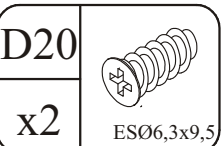
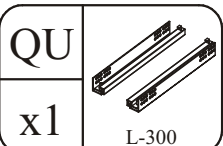
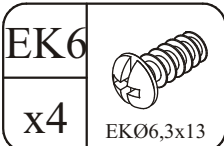
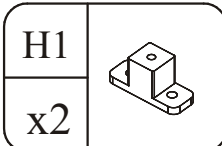
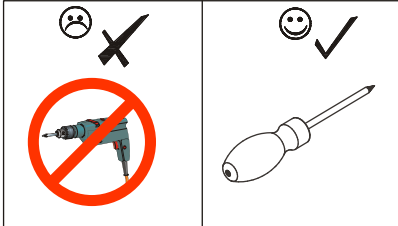
NO	Dim.			Col.-No	Qty
18	668	270	22	3	1
19	300	120	16	1	1
20	300	120	16	1	1
21	714	106	16	1	1
22	304	726	3	1	1
23	299	80	16	1	1
124	1346	49	49	2	1
125	1346	49	49	2	1
126	1346	43	19	2	1
127	1346	43	19	2	1
28	874	72	16	3	1
29	840	72	16	1	1
30	369	72	16	1	1
31	369	72	16	1	1
32	867	294	3	3	1
33	867	521	3	3	1
34	512	483	3	3	1



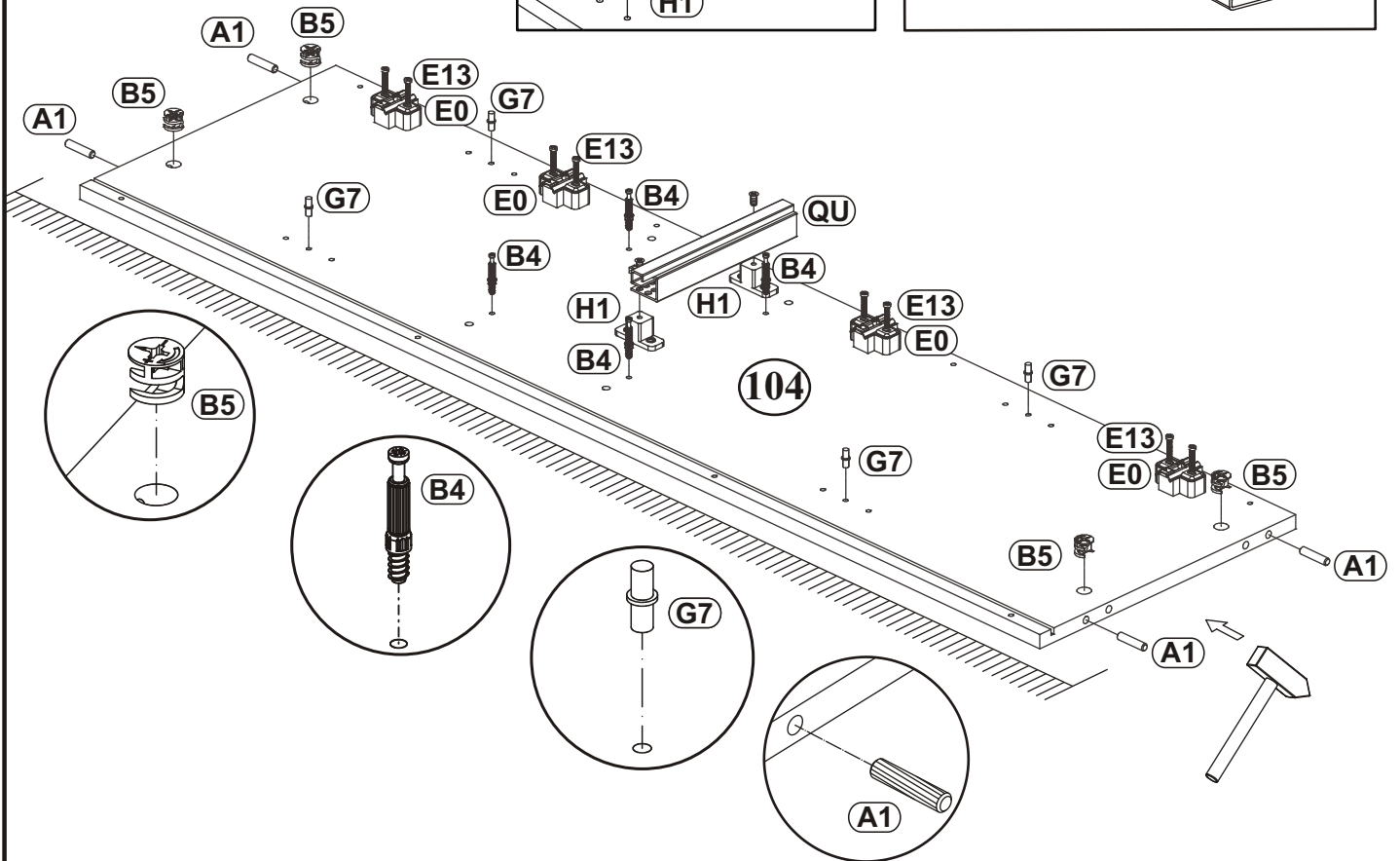
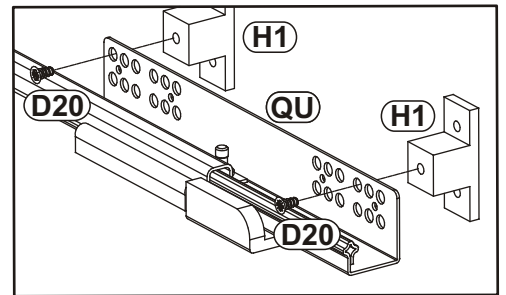
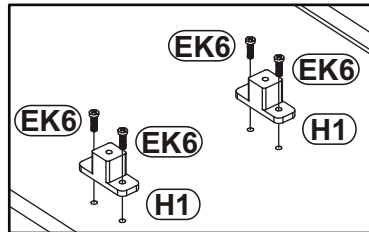
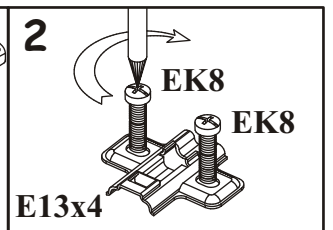
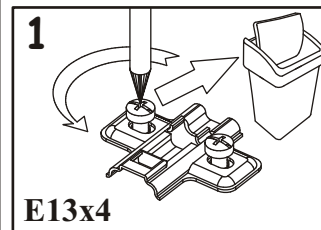
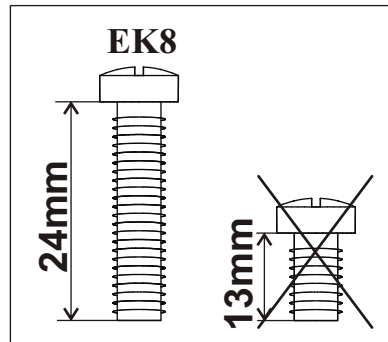
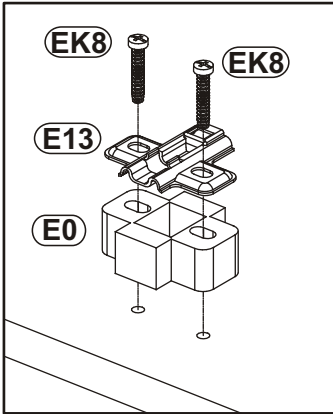
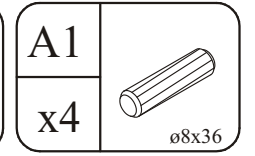
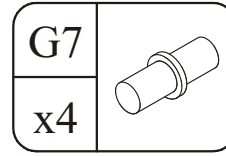
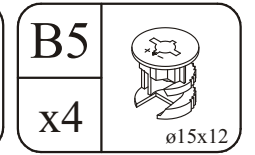
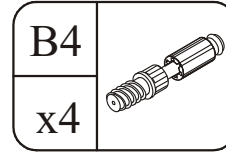
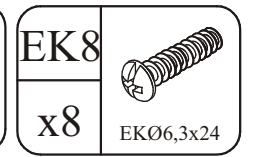
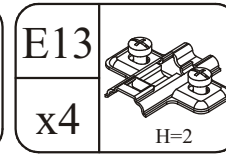
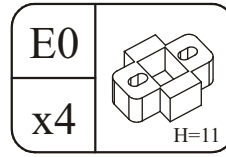
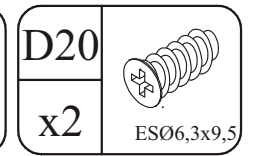
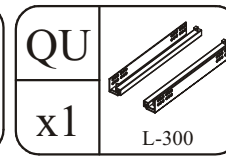
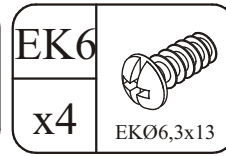
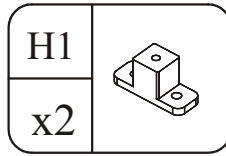
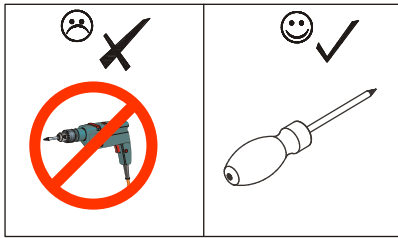
A1 x41 ø8x36	B4 x41	B5 x41 ø15x12	G5 x41	G7 x12	G2 x1
S1 x22	E17 x6 H=16	E13 x6 H=2	UP6 x2 UPØ4x30	L1 x1	KR1 x1
EK8 x12 EKØ6,3x24	D10 x16 USØ3,5x13	UP13 x10 UPØ3x16	D20 x4 ESØ6,3x9,5	QU x1 L-300	I2 x6
B11 x10 Ø7x50	B14 x7 Ø7x30	G4 x8	KM1 x1	G16 x4	E0 x6 H=11
C19 x4	D34 x2 M4x16	D4 x6 M4x30	OS3 x1	EK6 x8 EKØ6,3x13	H1 x4
UP9 x4 UPØ3,5x16	I9 x1 H-60 mm.	G12 x21 Ø14	D24 x14 USØ4x30		



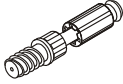
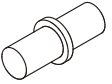
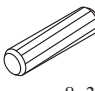

1

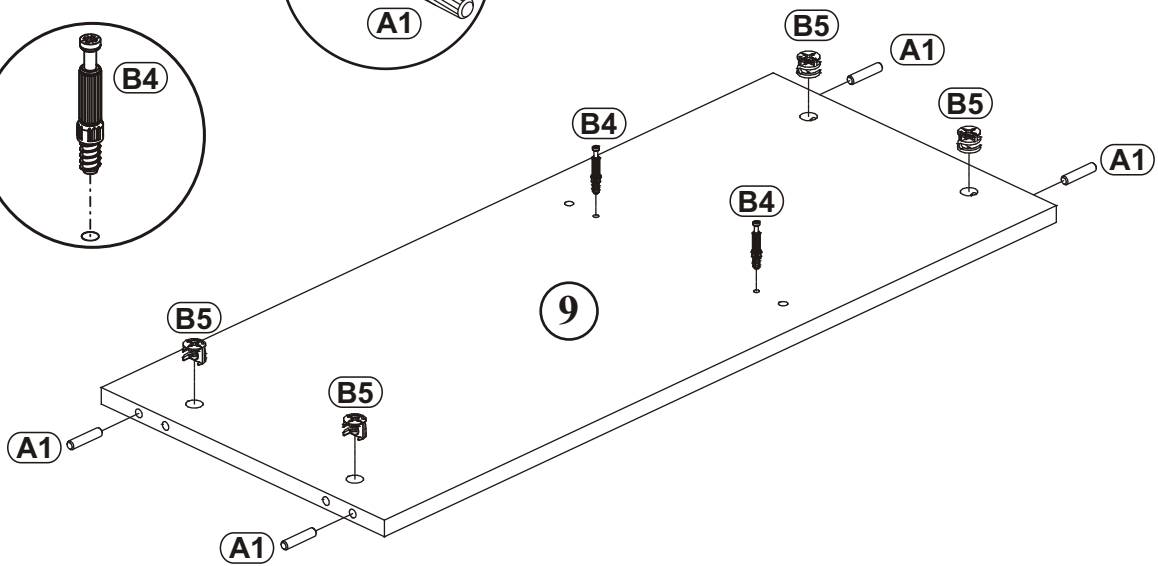
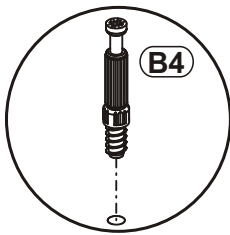
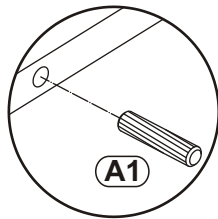
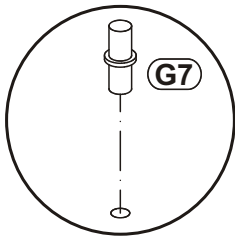
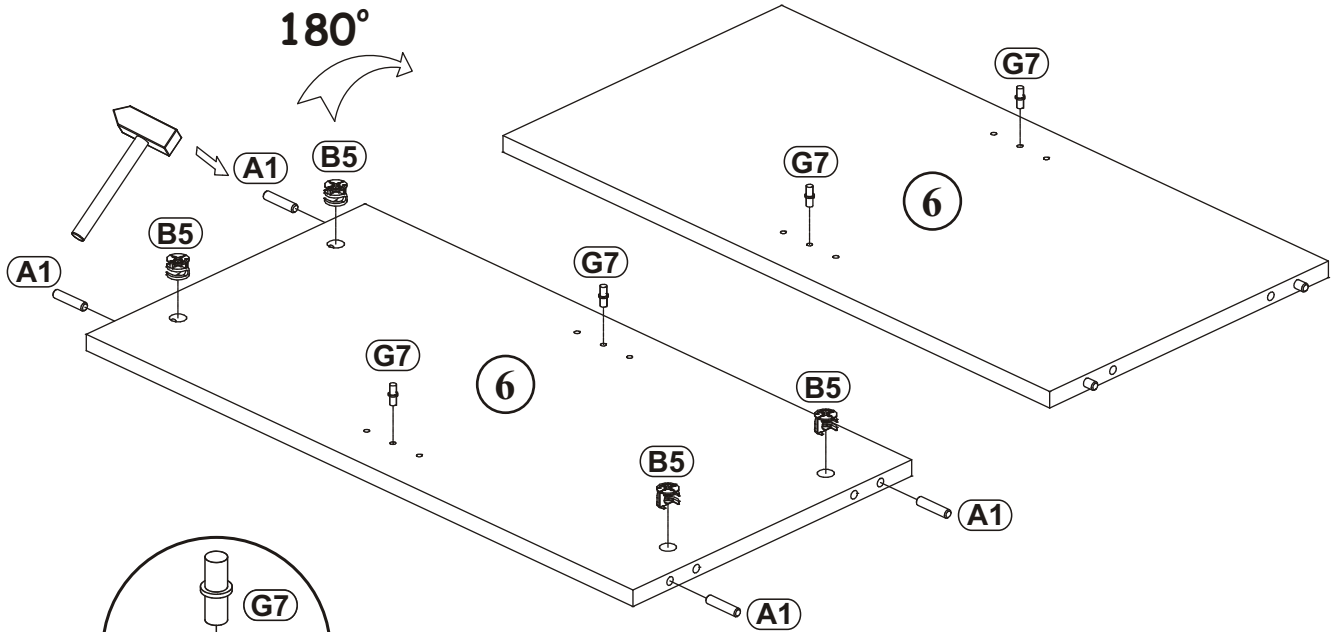
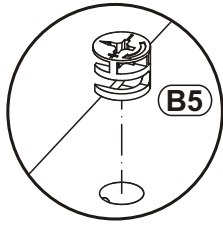


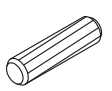
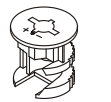
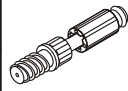
2



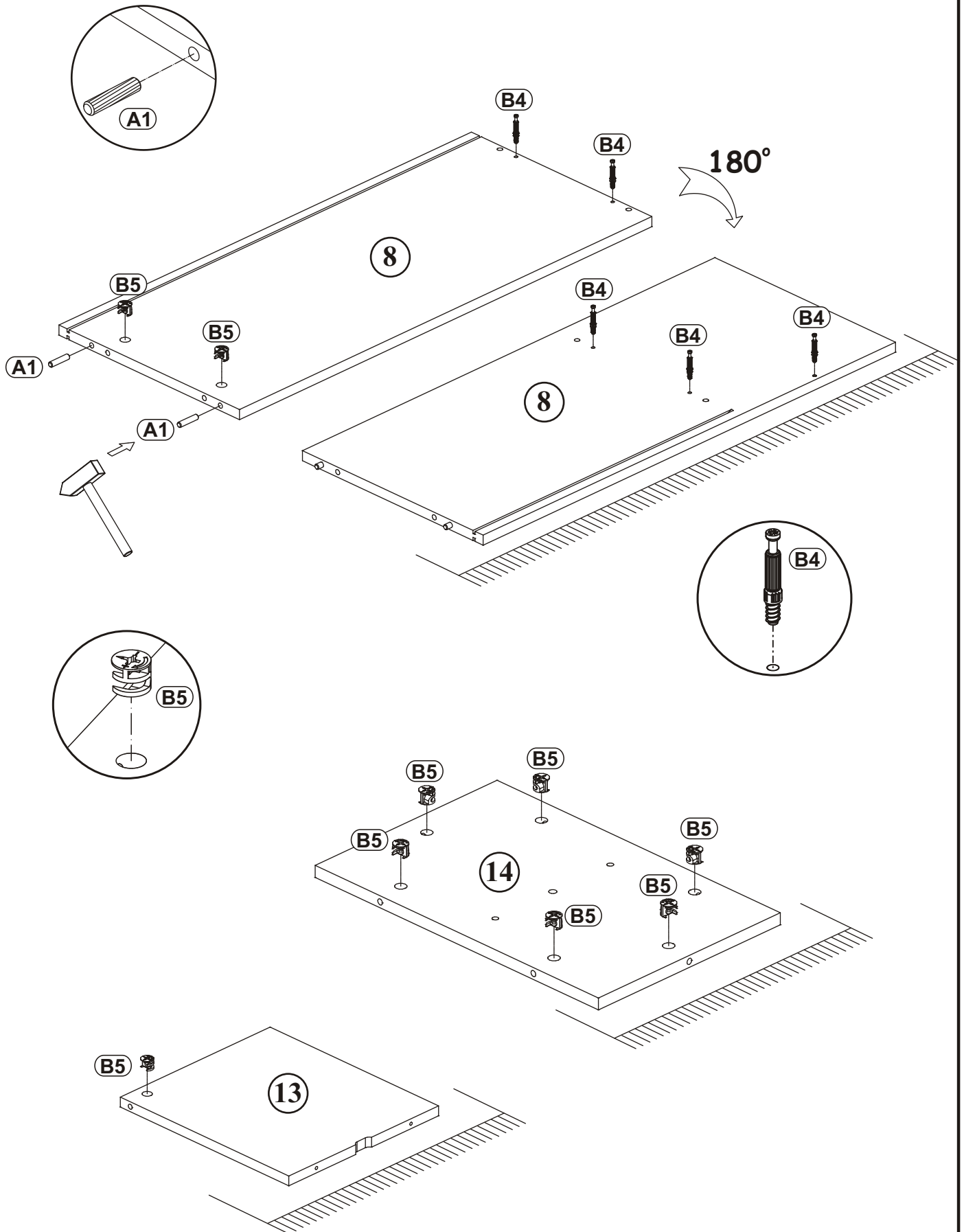
3

B4		G7	
x2		x4	
A1		B5	
x8	<small>ø8x36</small>	x8	<small>ø15x12</small>



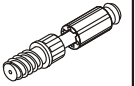
A1		B5		B4	
x2	ø8x36	x9	ø15x12	x5	

4

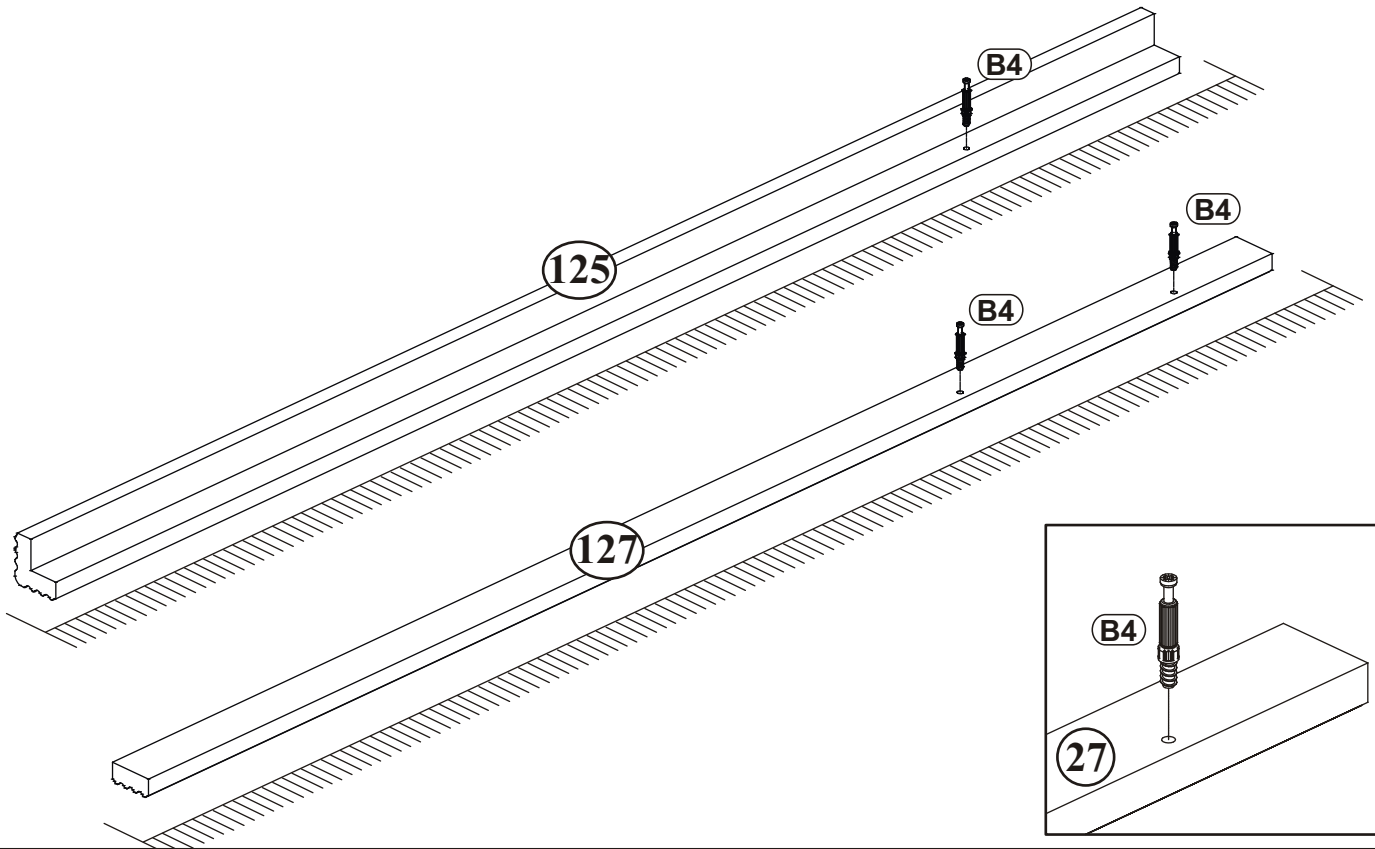
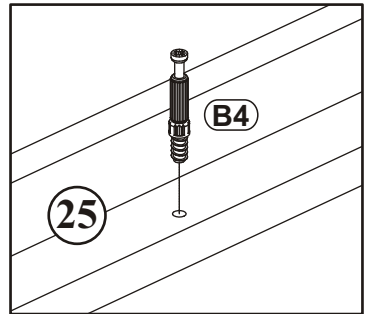
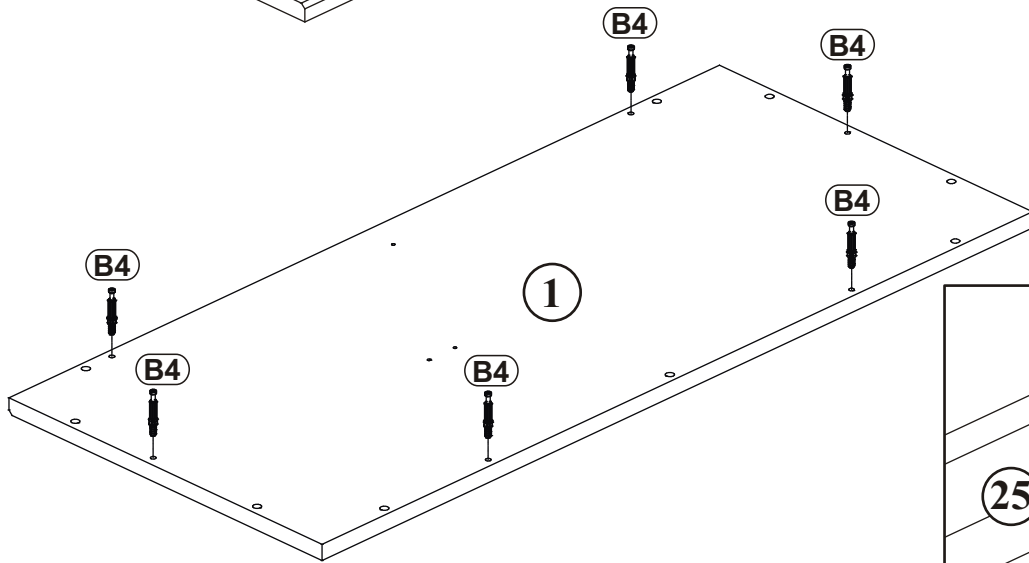
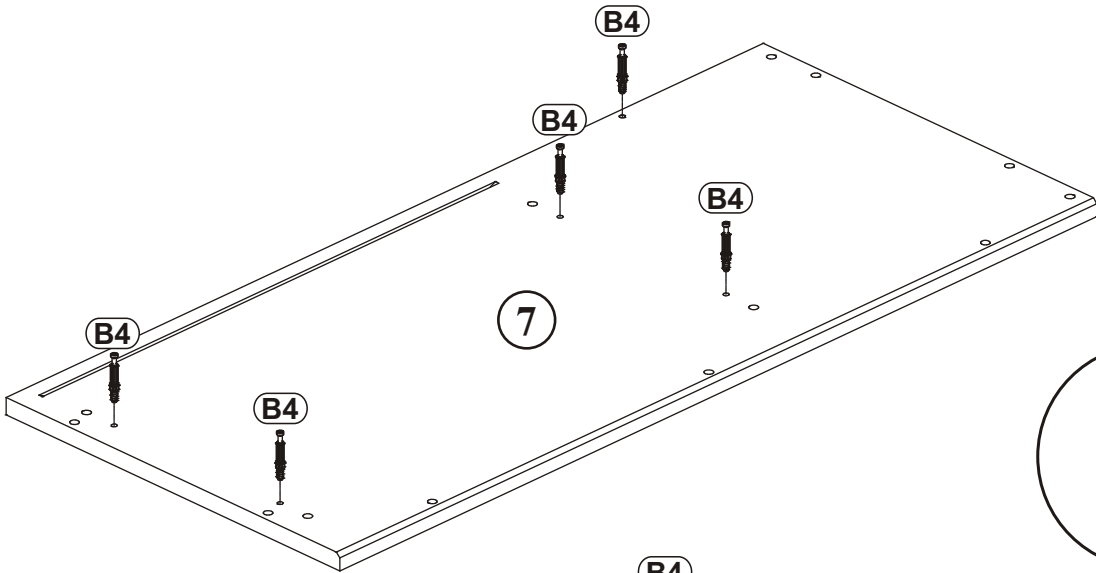


B4

x14

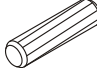

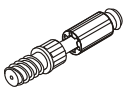


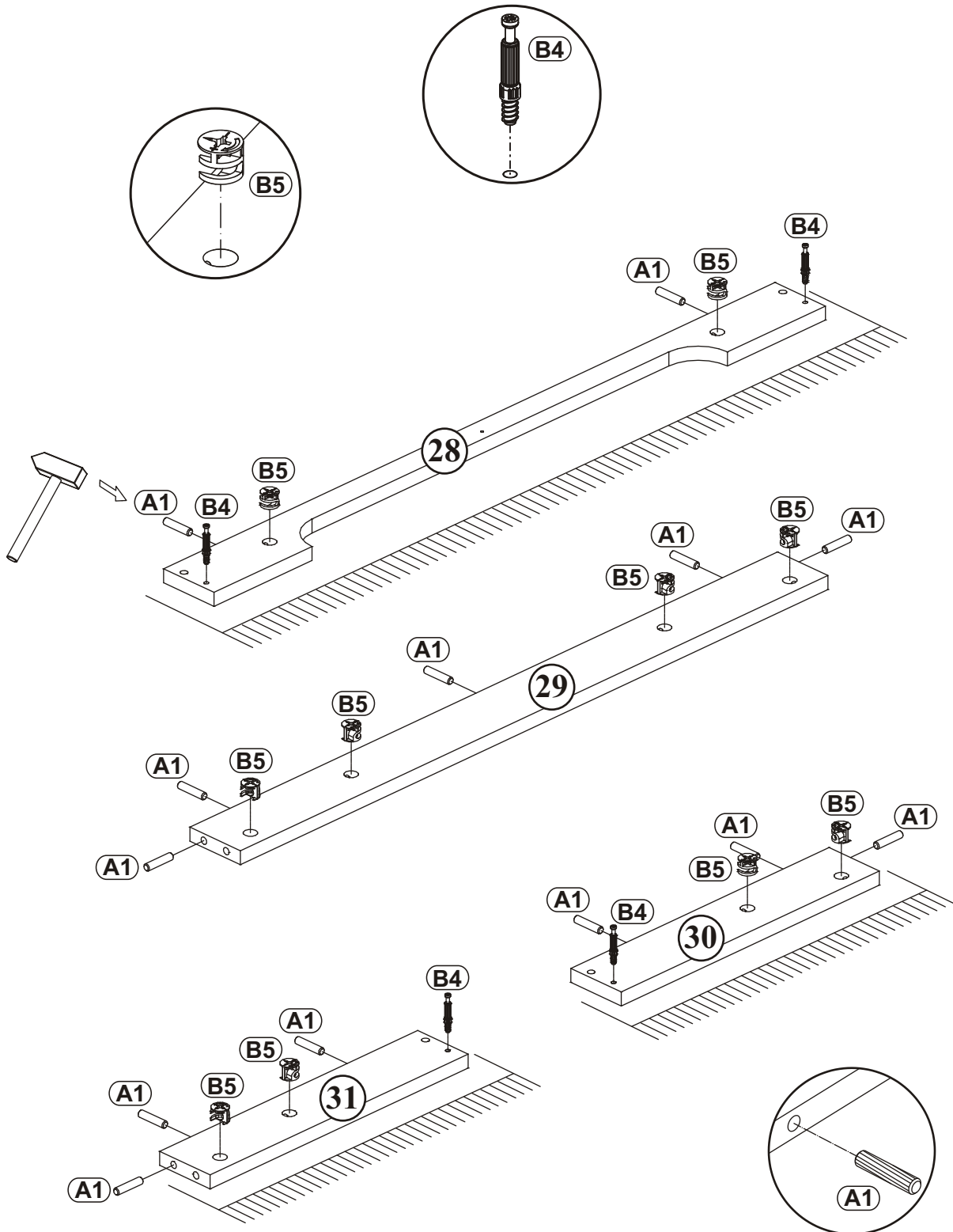
5



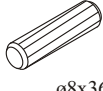



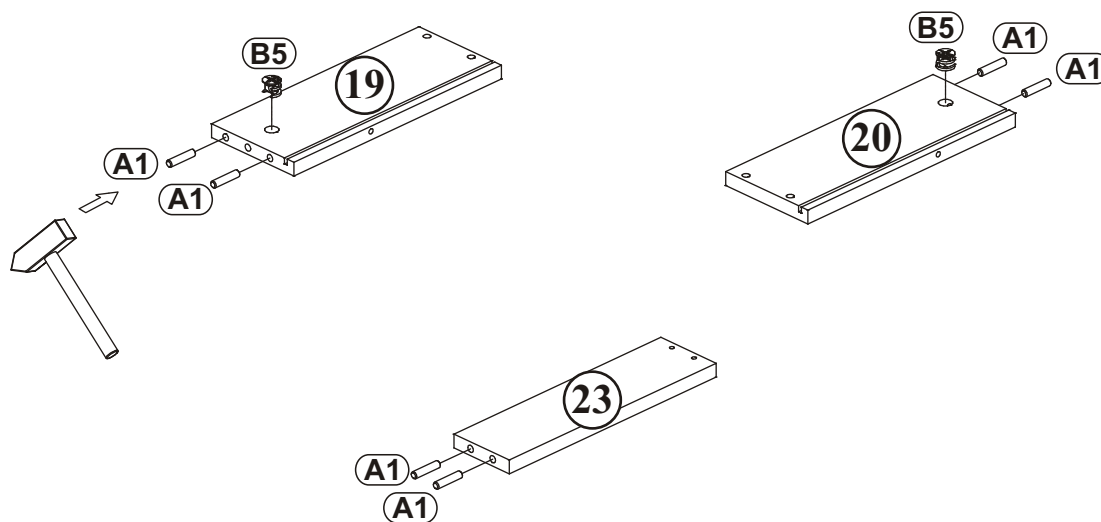
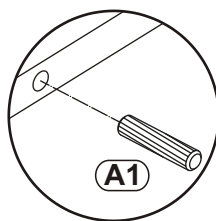
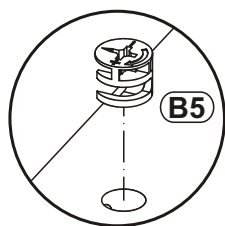
6

A1		B5		B4	
x13	ø8x36	x10	ø15x12	x4	

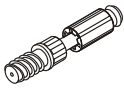


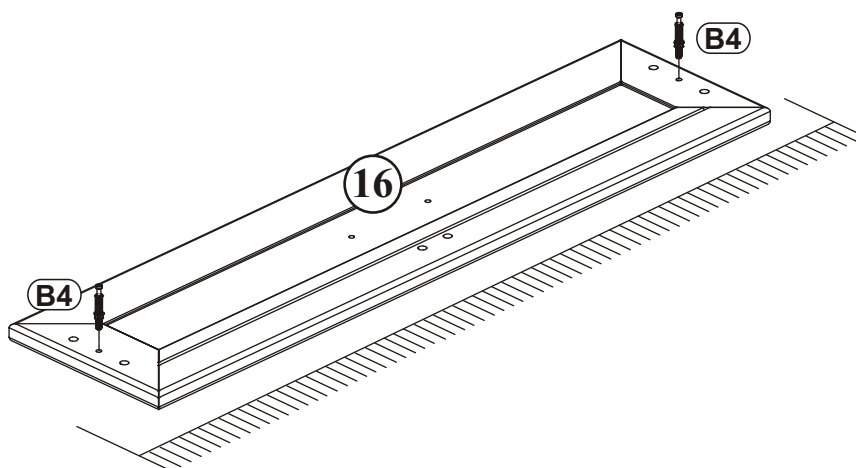
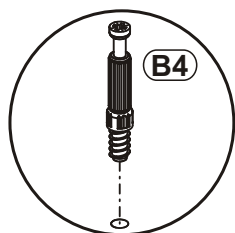
7

A1		B5	
x6		ø8x36	

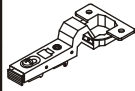
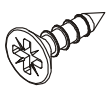


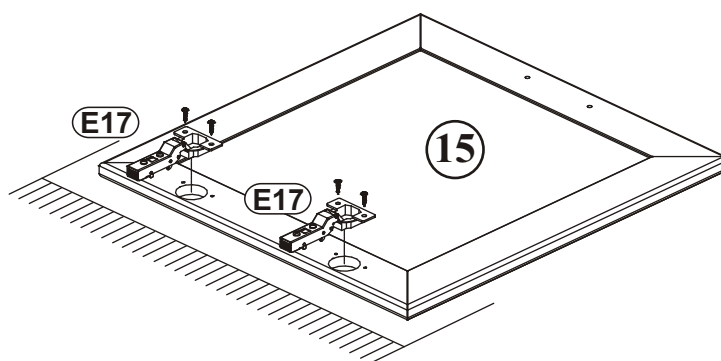
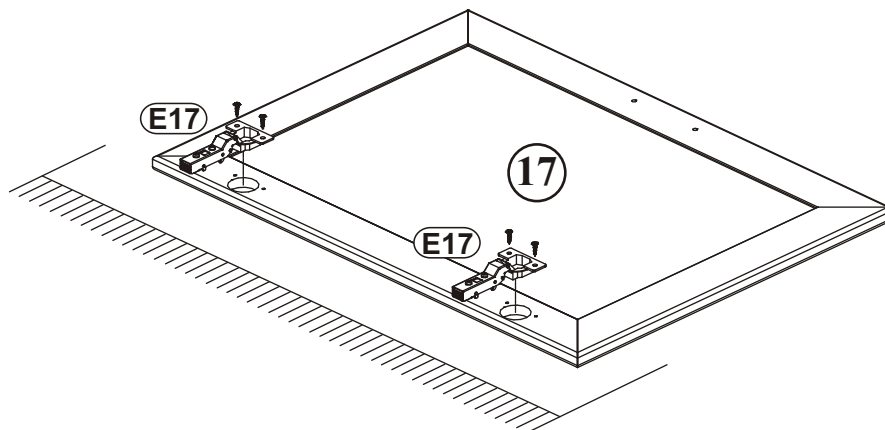
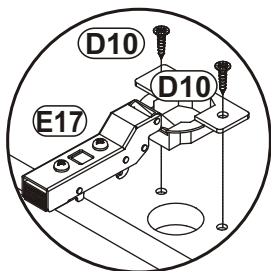
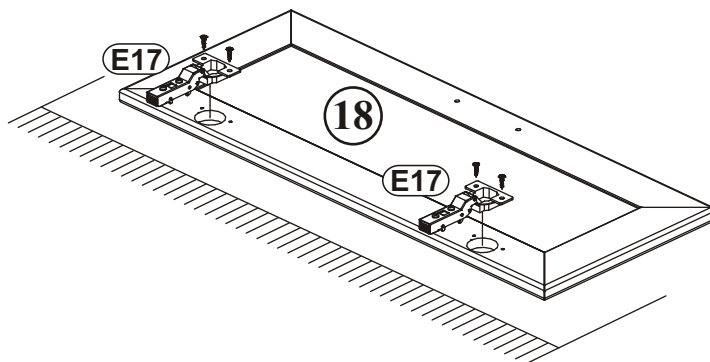
8

B4	
x2	



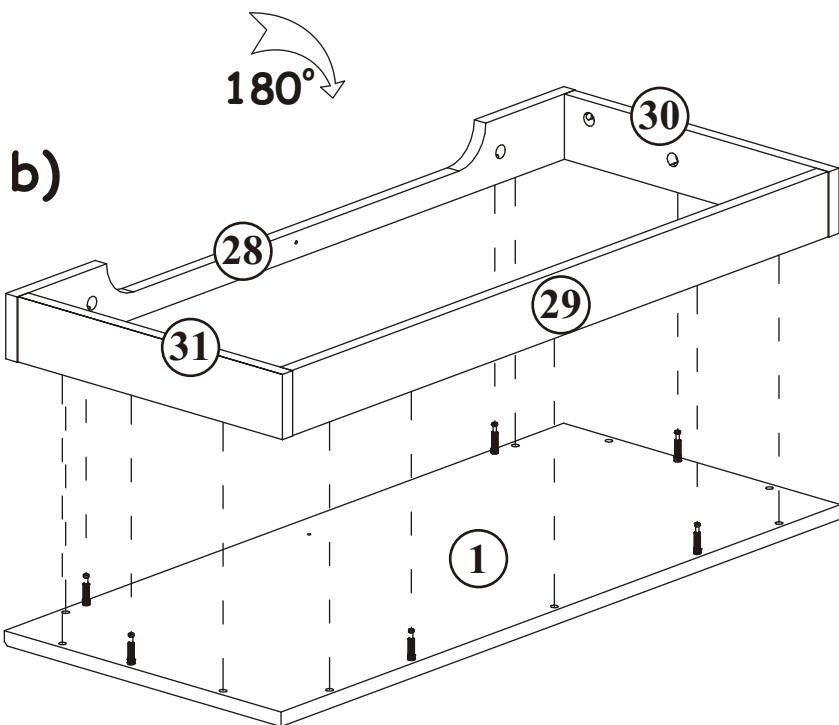
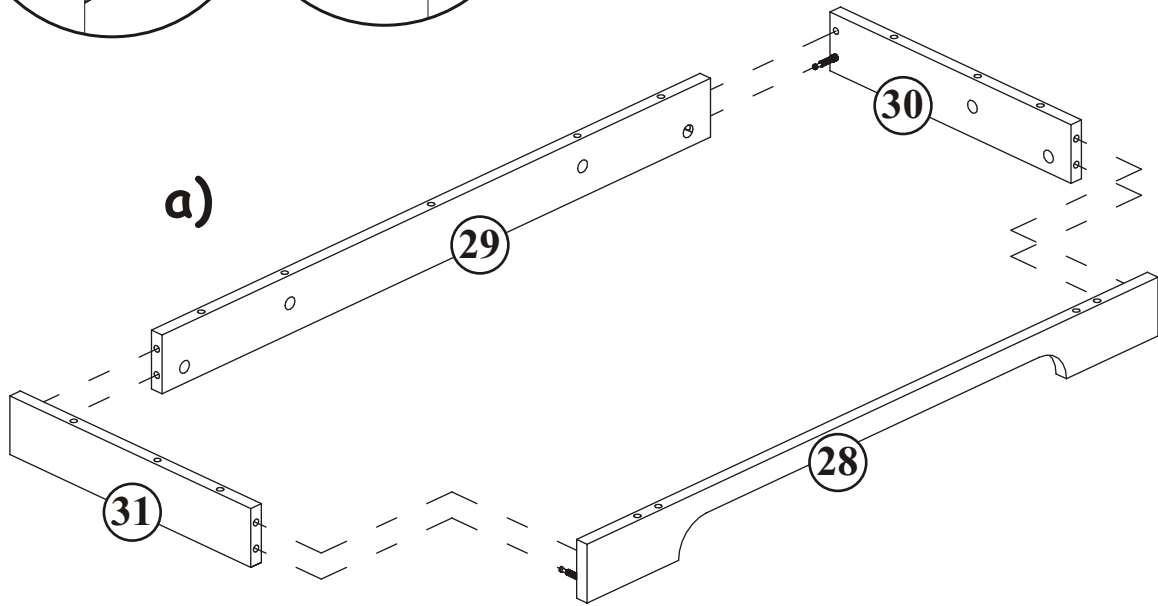
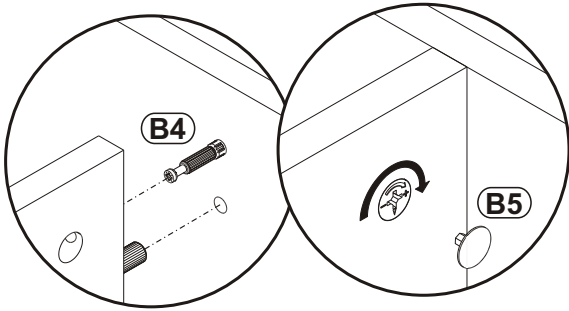
9

E17		D10	
x6	H=16	x12	USØ3,5x13

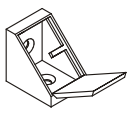

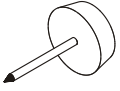
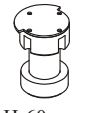

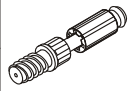


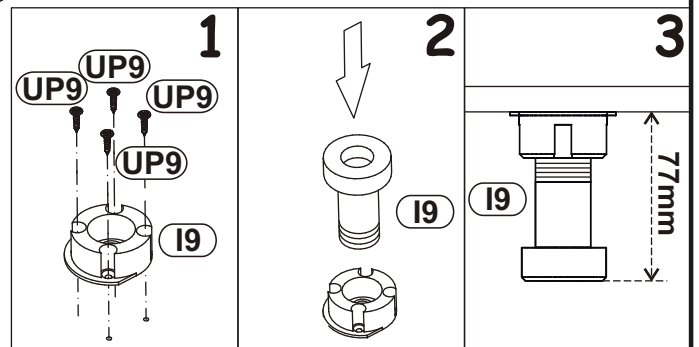
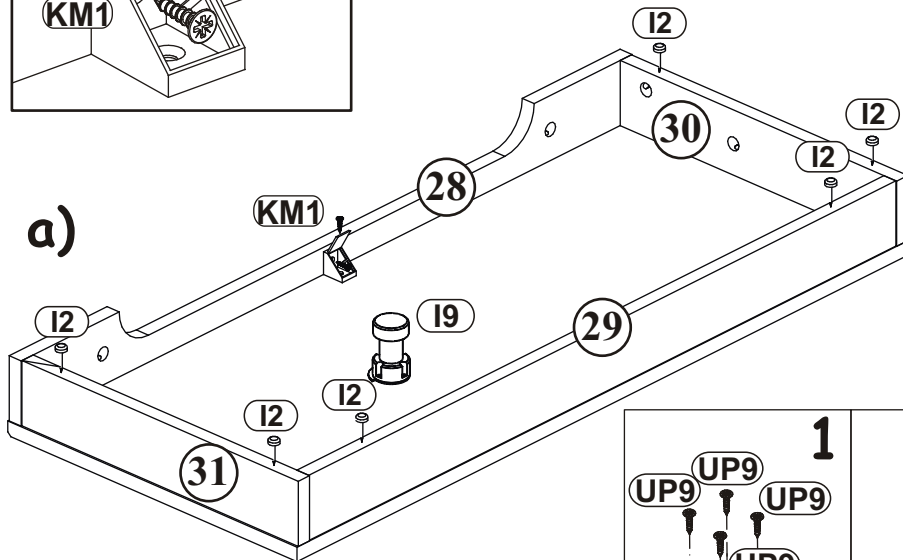
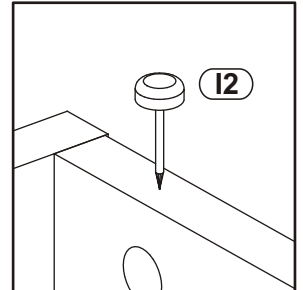
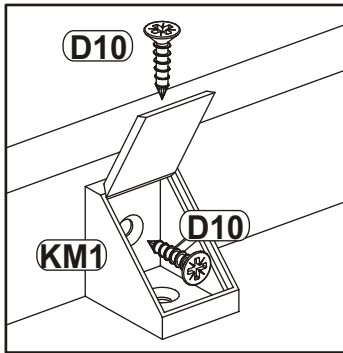


10

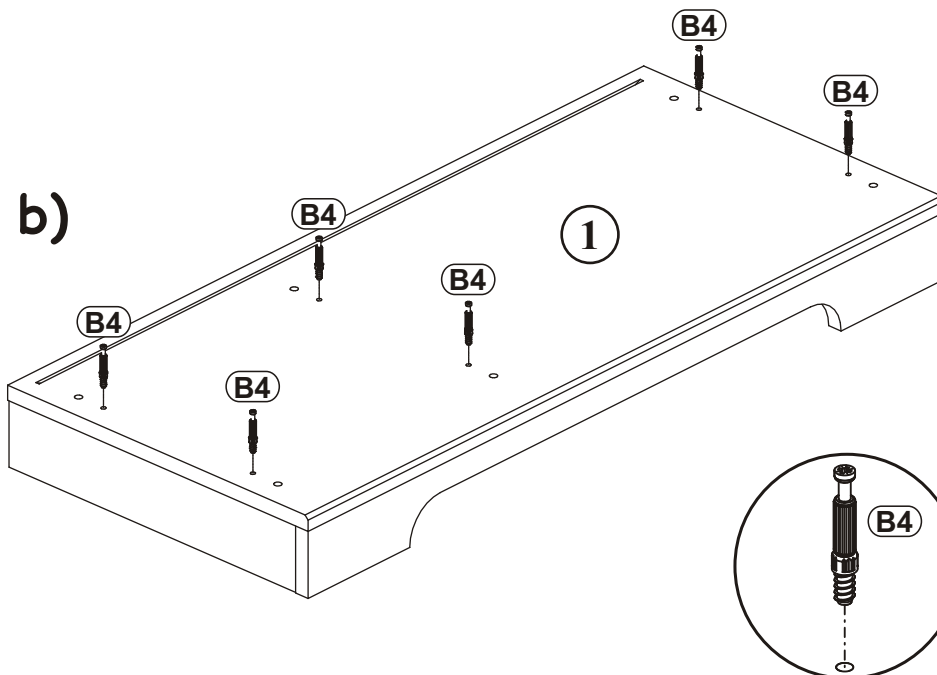


11



KM1 x1		D10 x2	 USØ3,5x13	I2 x6	
I9 x1	 H-60 mm.	UP9 x4	 UPØ3,5x16	B4 x6	

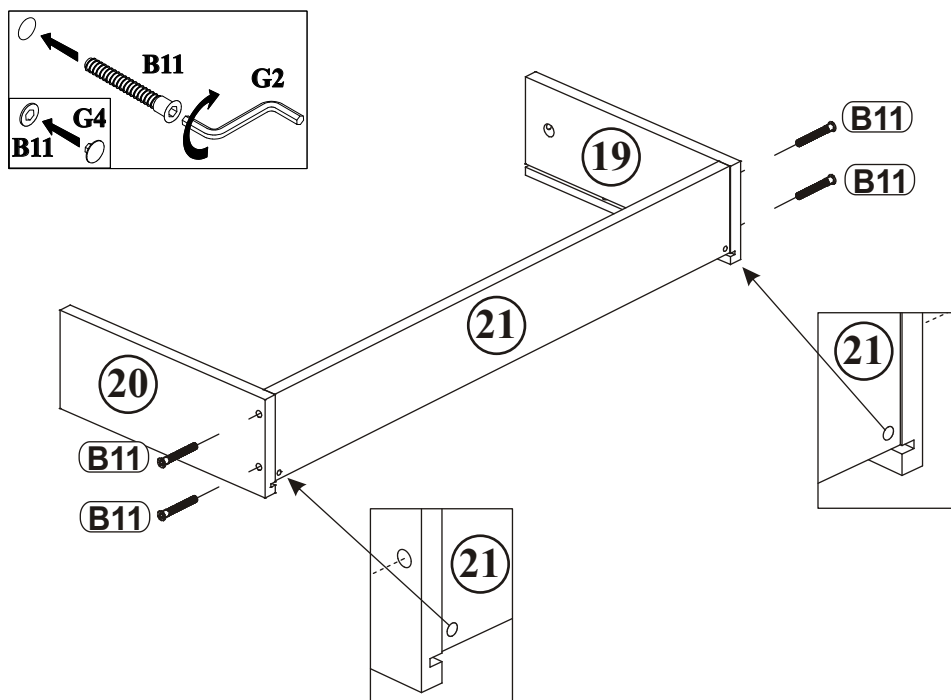


180°




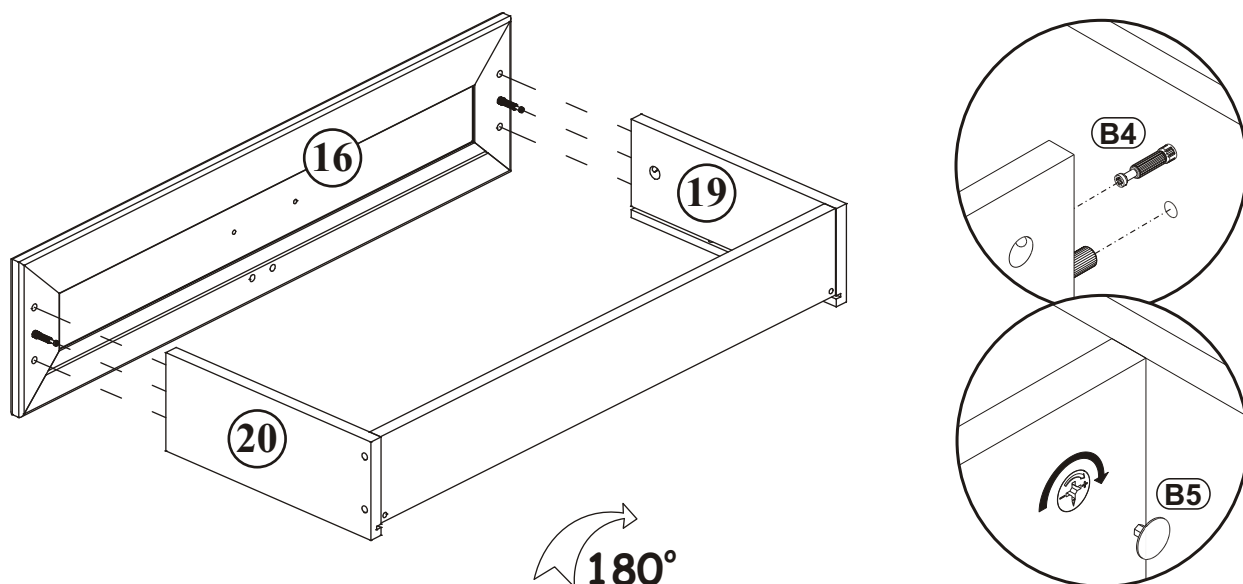
12

G4		B11	
x4		x4	Ø7x50

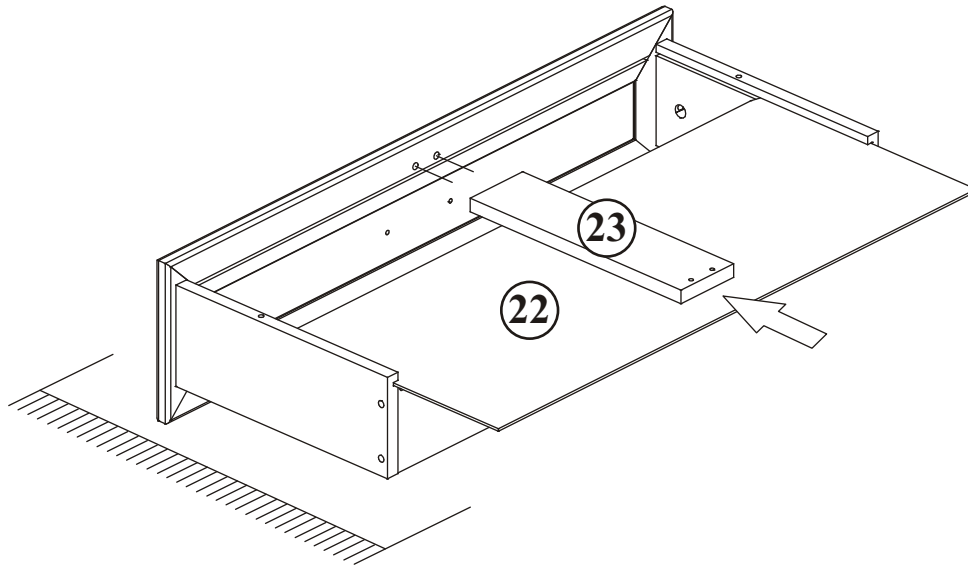


13

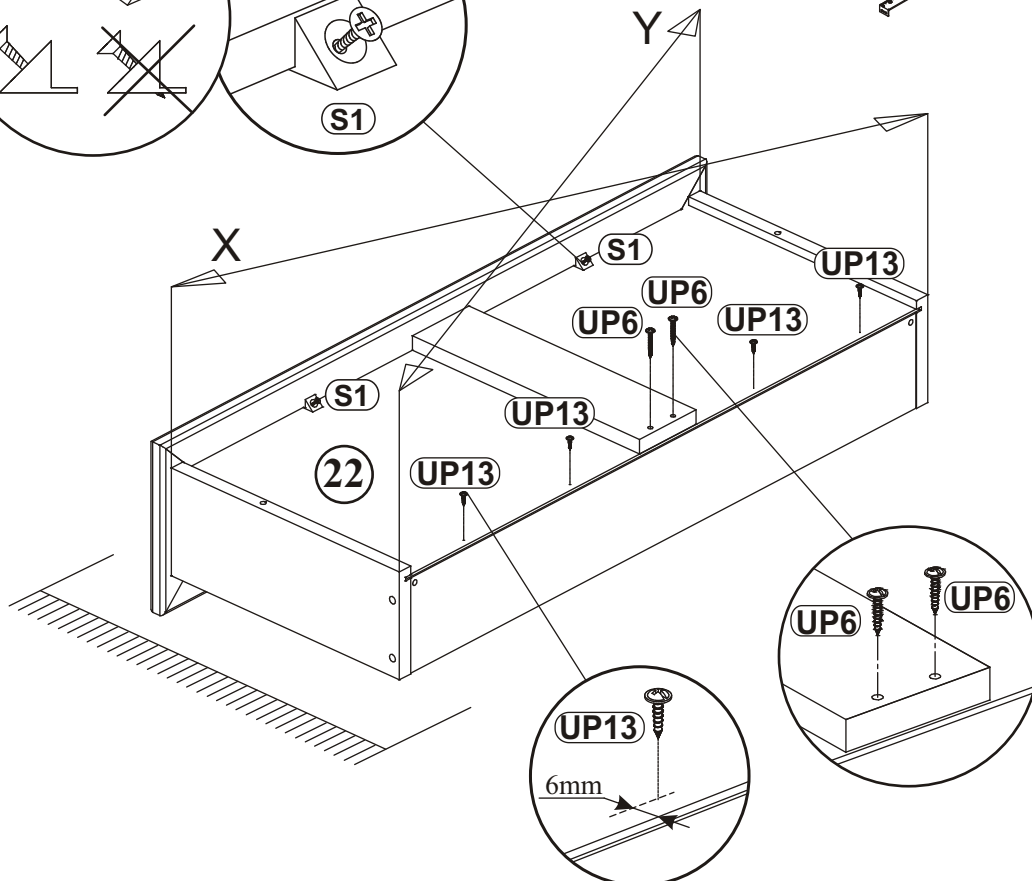
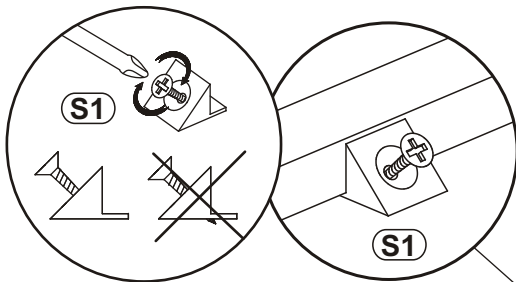
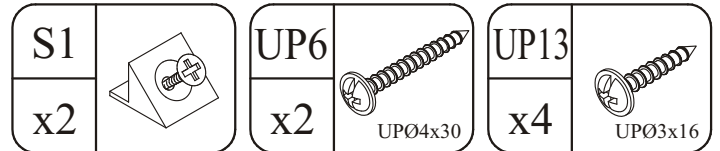
G5	
x2	




14

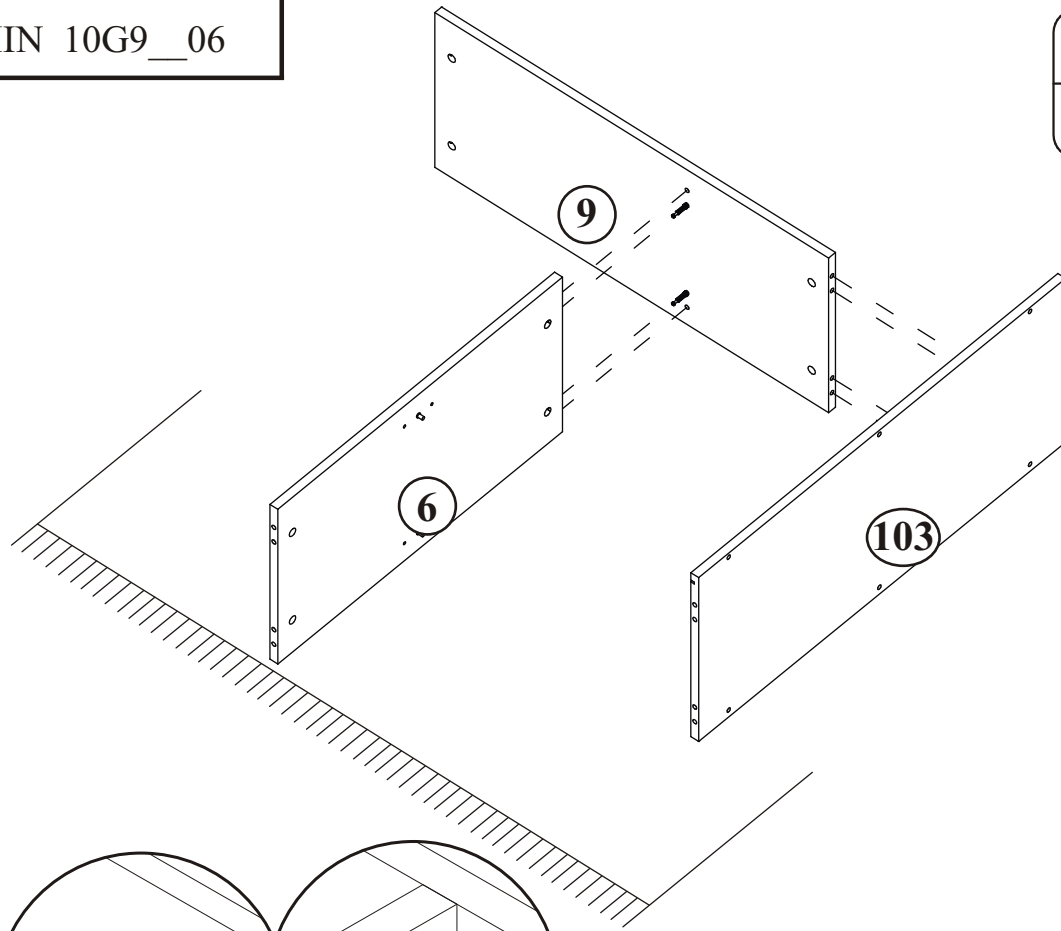


15

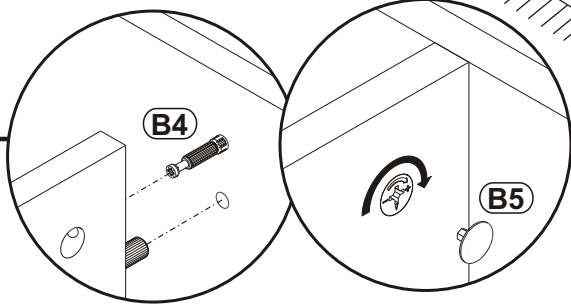



16

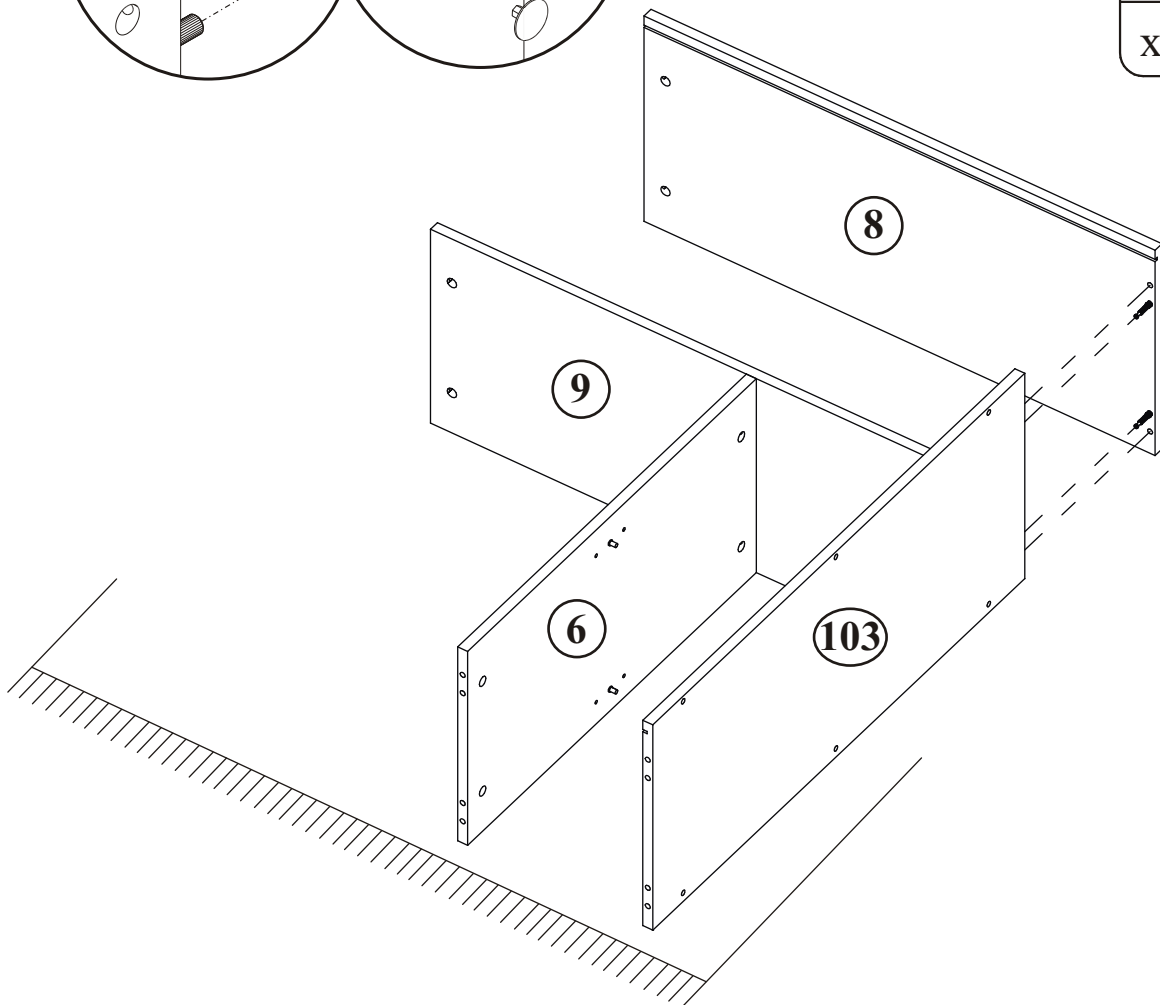
G5	
x4	




17



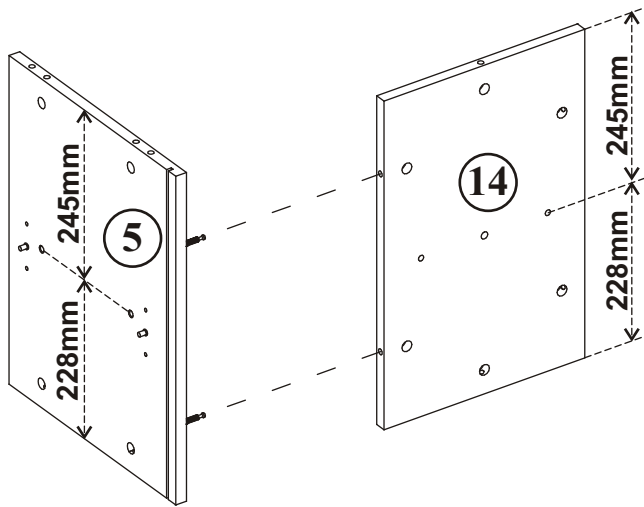
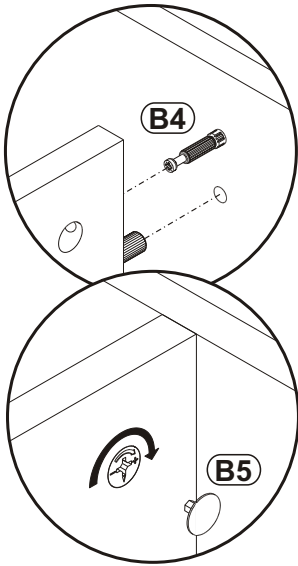
G5	
x2	



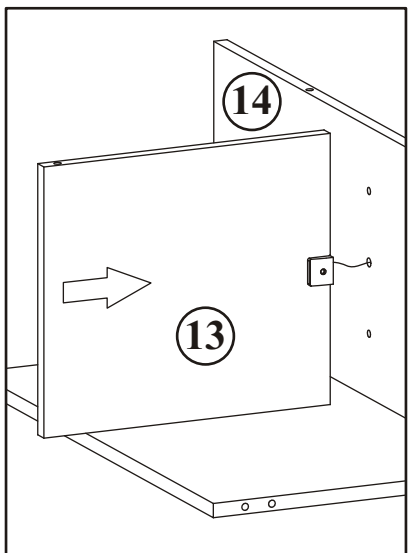
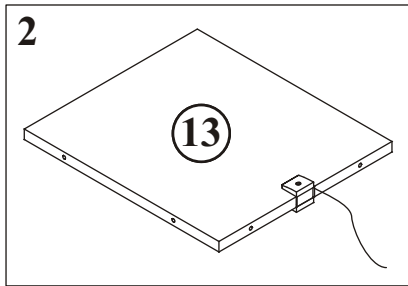
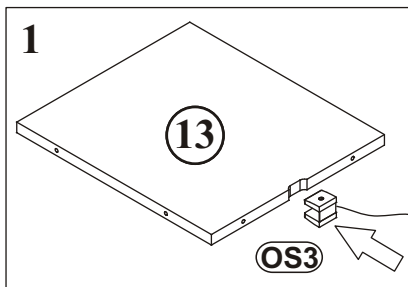


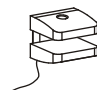
G5	
x2	


18




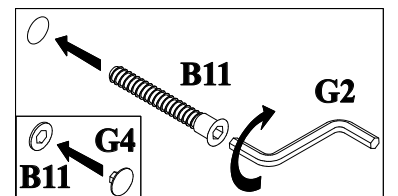
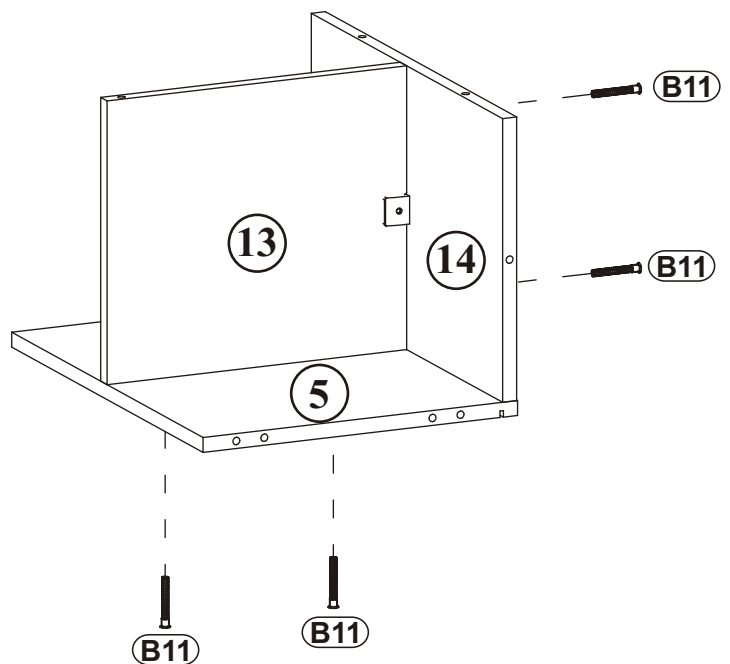
19




OS3	
x1	

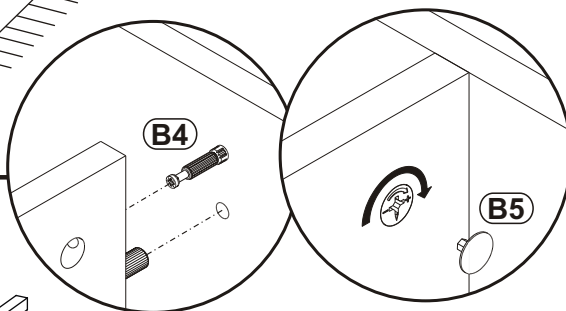
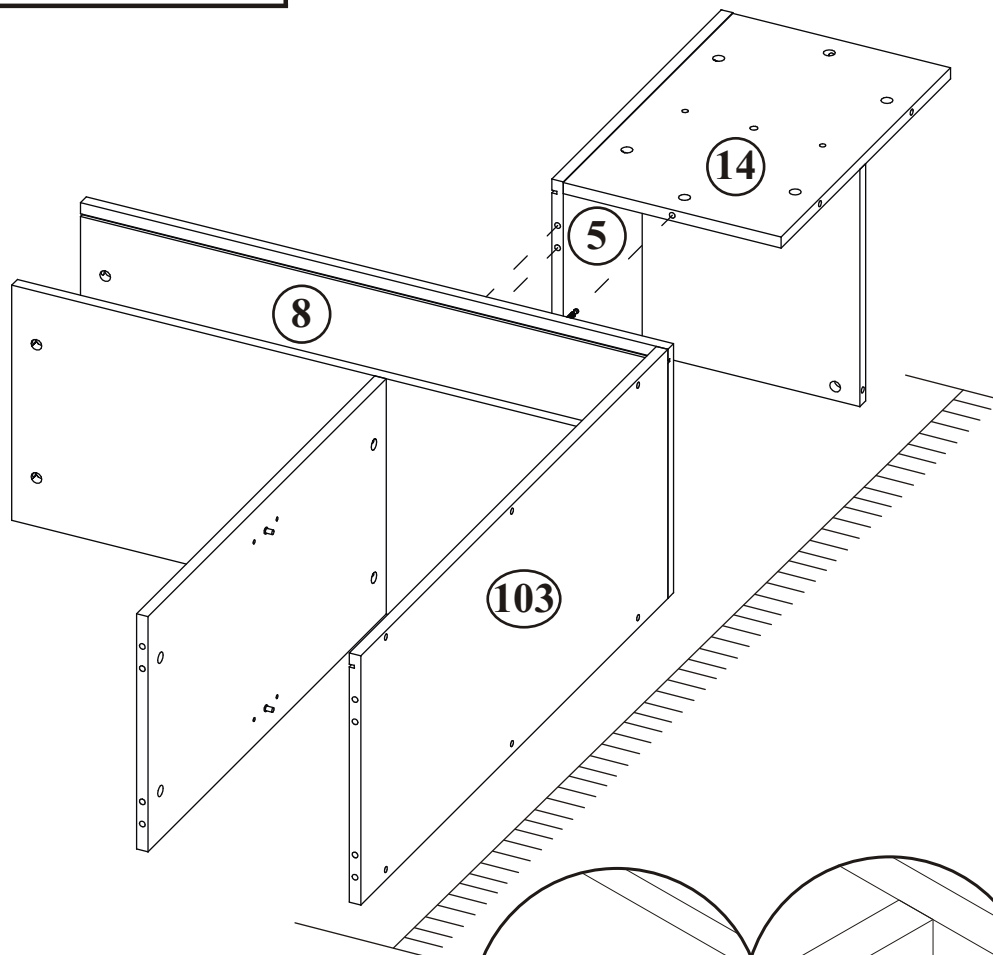
G4	
x4	

B11	
x4	Ø7x50




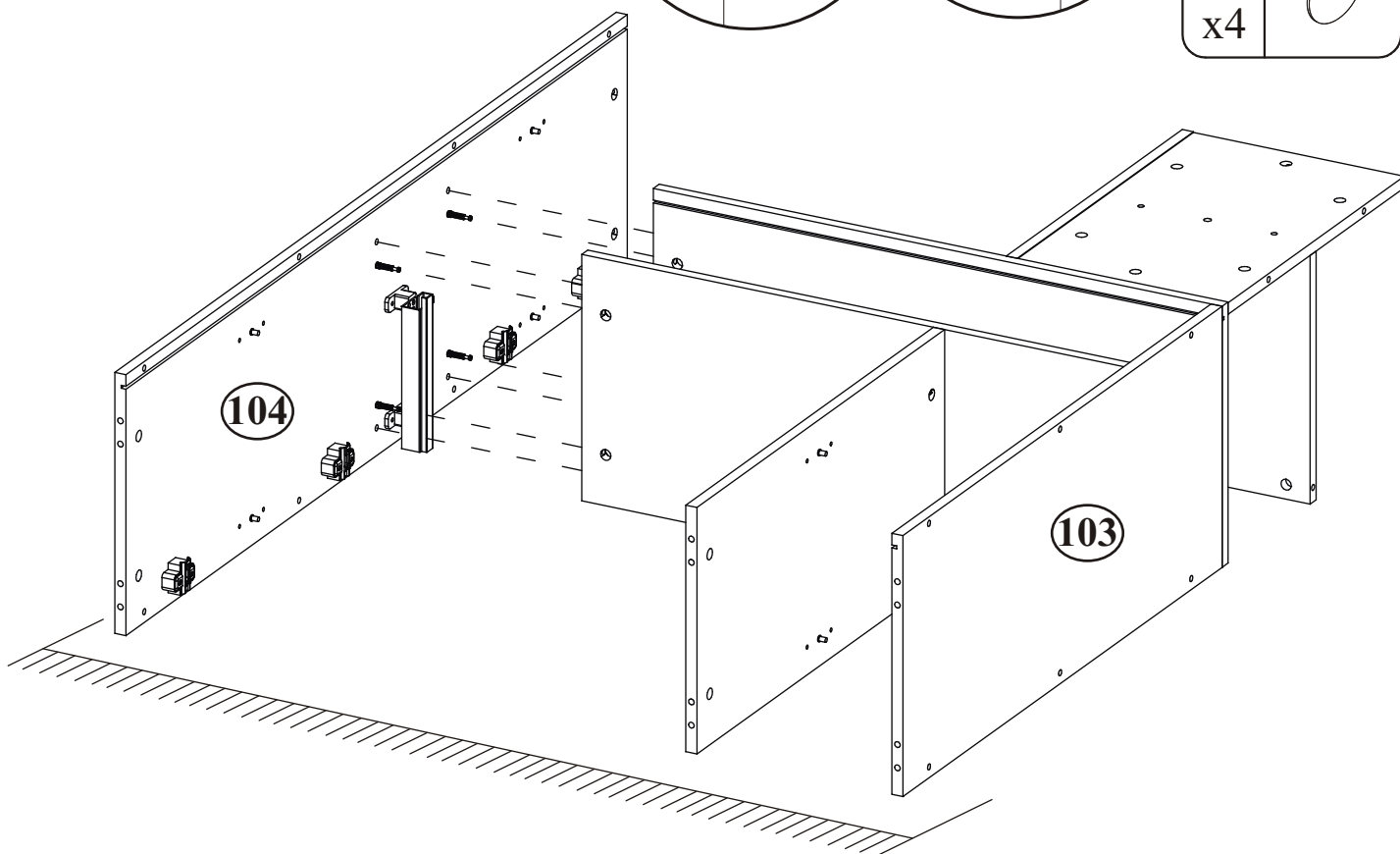
G5	
x3	

20

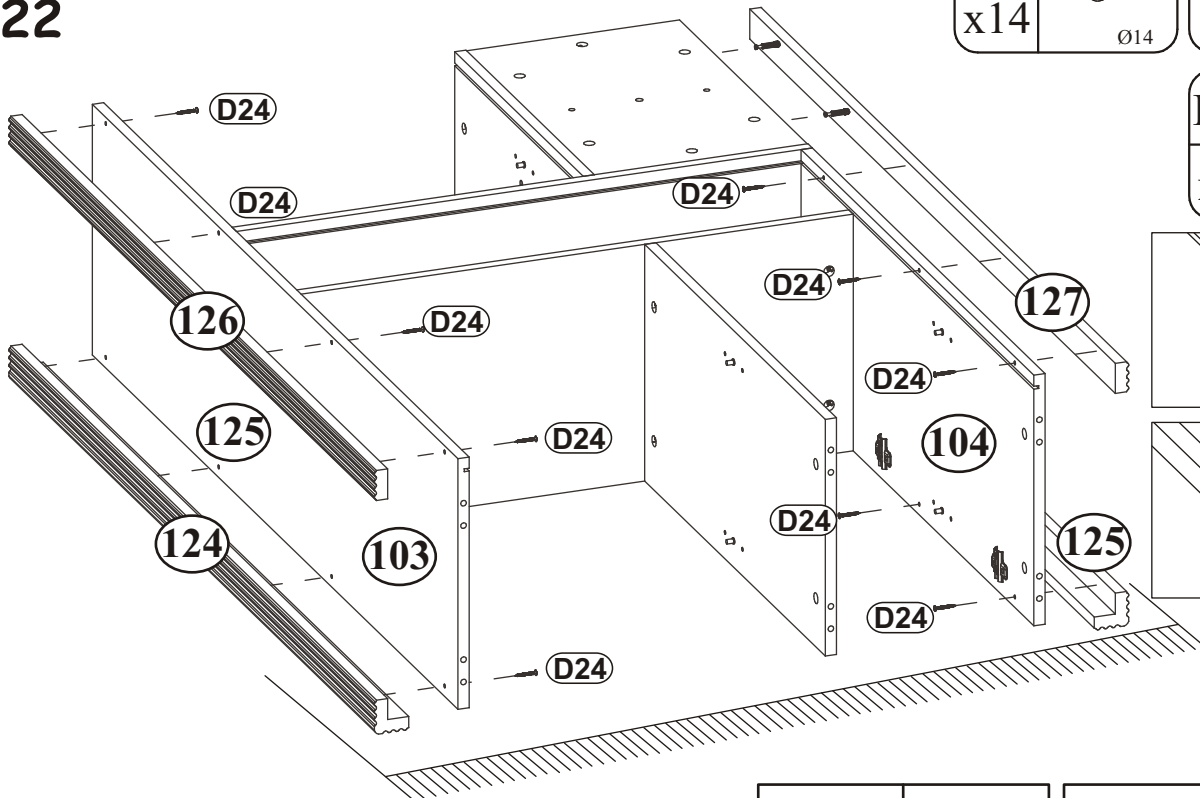


21

G5	
x4	



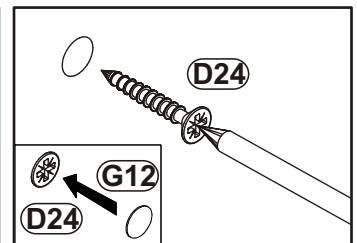
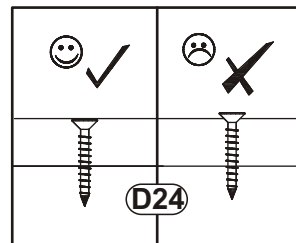
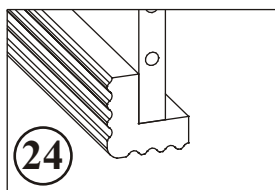
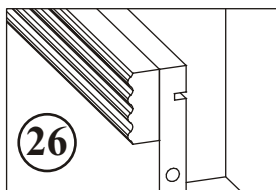
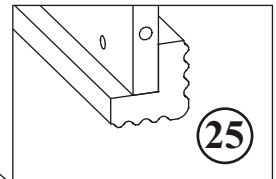
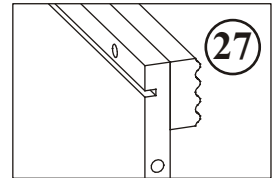
22



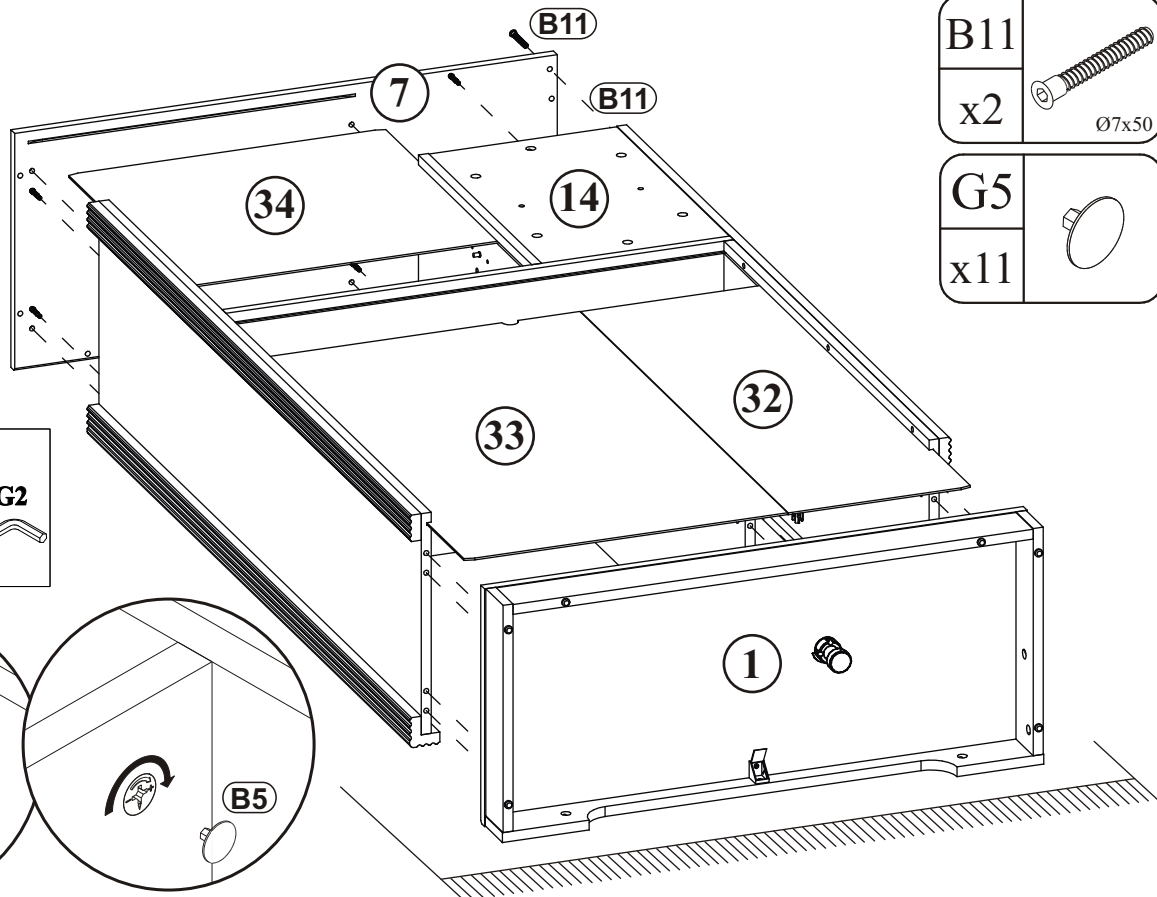
G12	
x14	Ø14

G5	
x3	

D24	
x14	USØ4x30

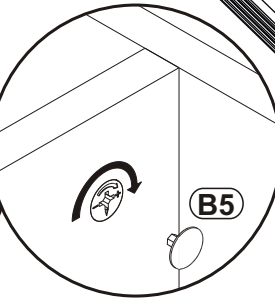
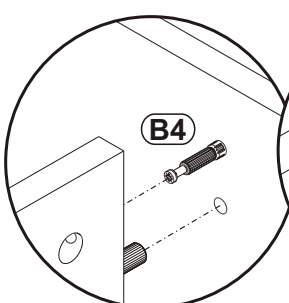
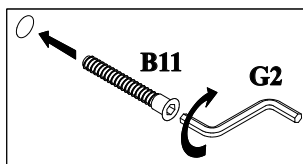


23

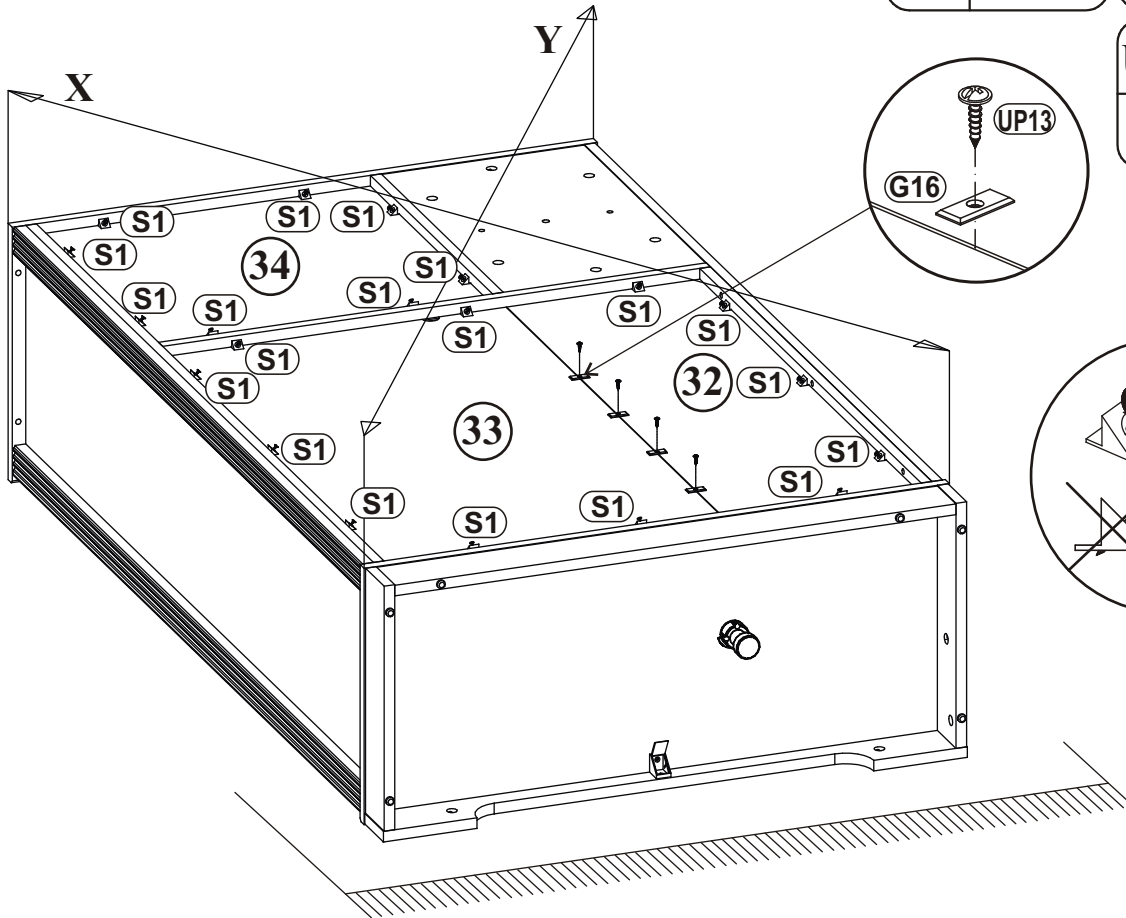


B11	
x2	Ø7x50

G5	
x11	



24

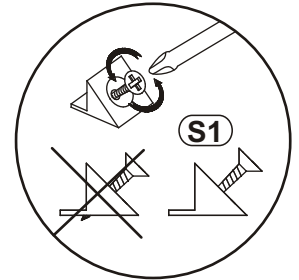
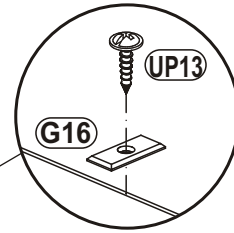


X=Y 90°

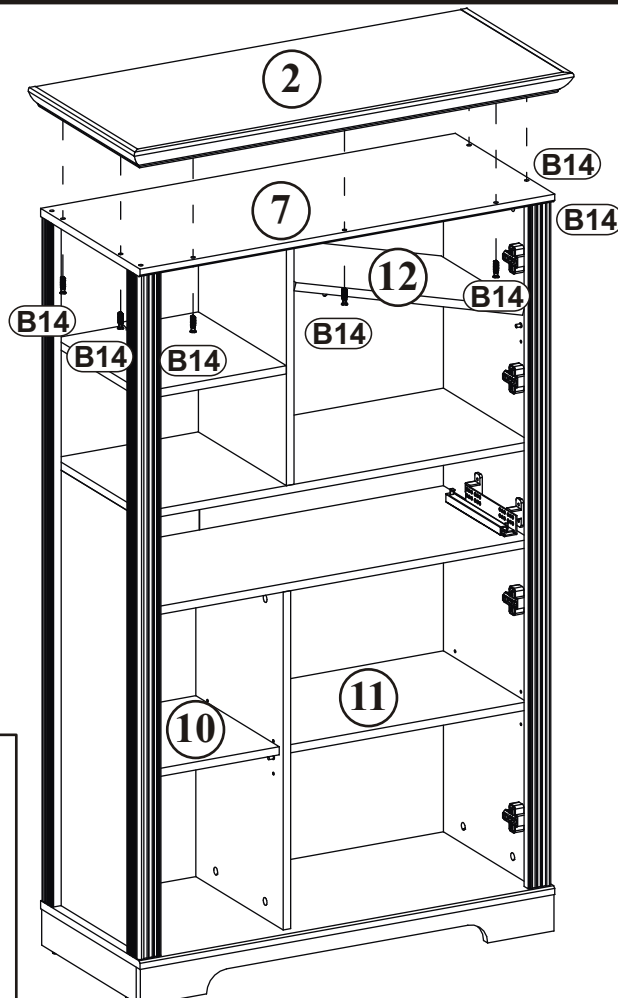
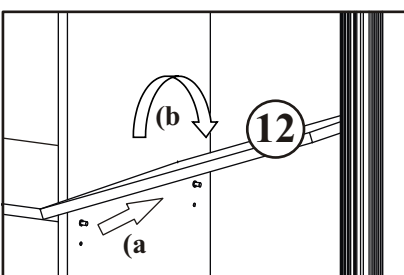
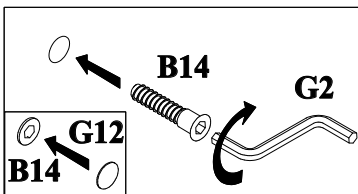
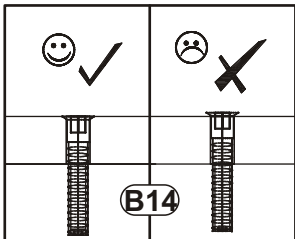
S1	
x20	

G16	
x4	

UP13	
x4	UPØ3x16



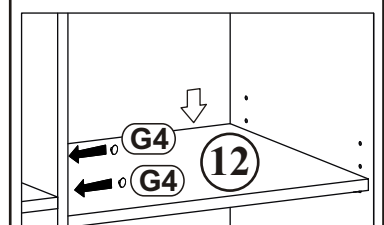
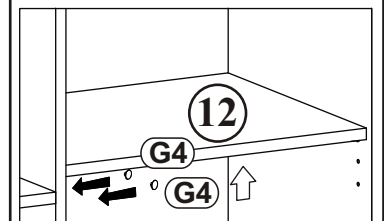
25



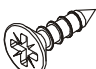
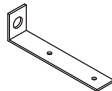
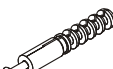
B14	
x7	Ø7x30

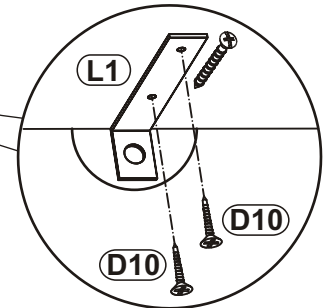
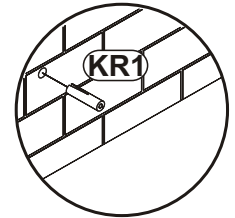
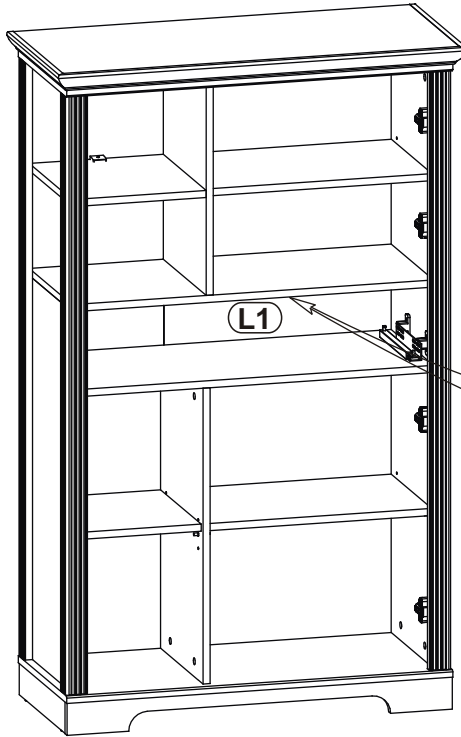
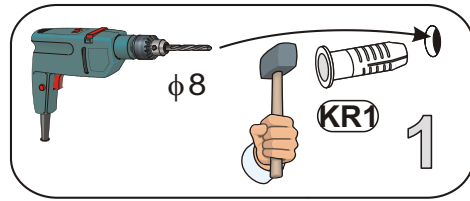
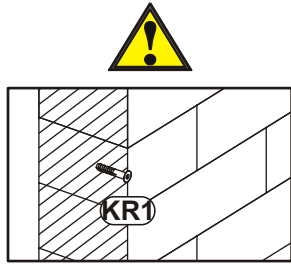
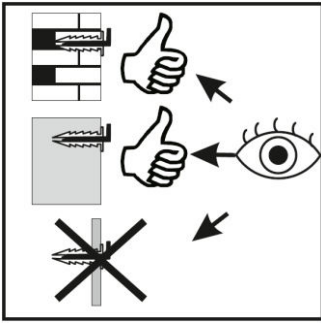
G12	
x7	Ø14

G4	
x2	

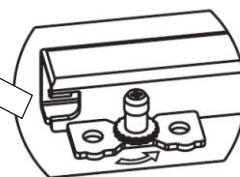
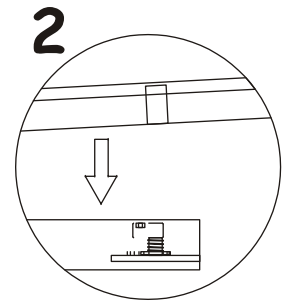
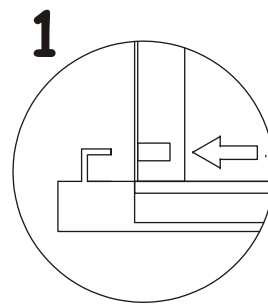
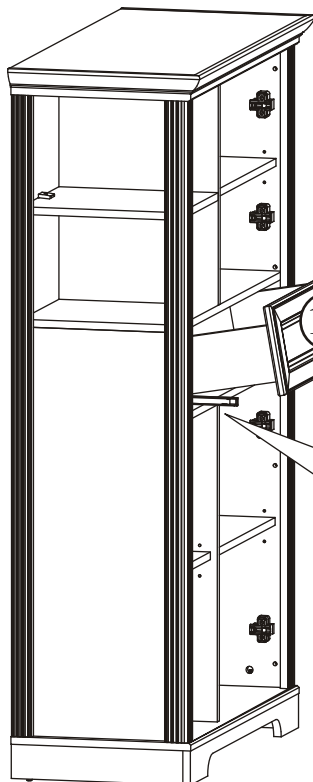


26

D10		L1		KR1	
x2	USØ3,5x13	x1		x1	

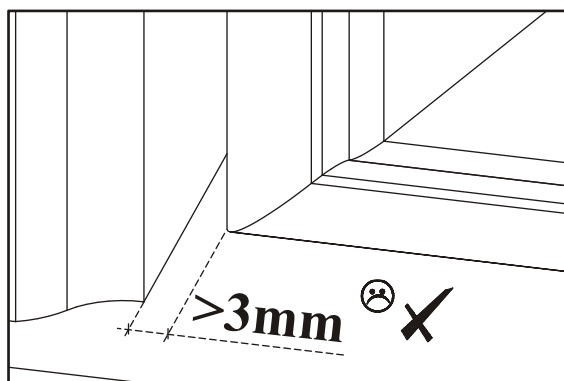
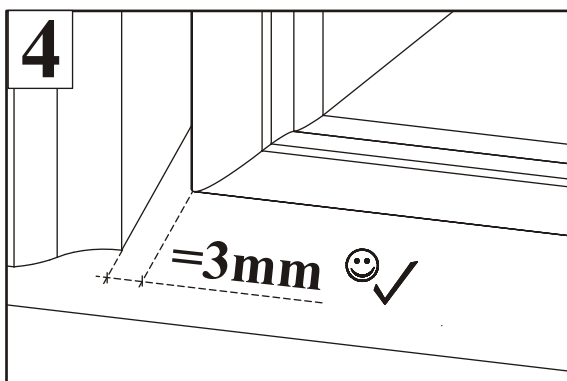
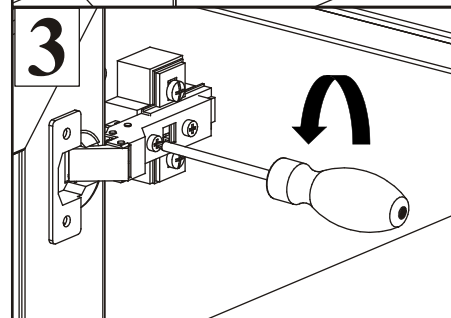
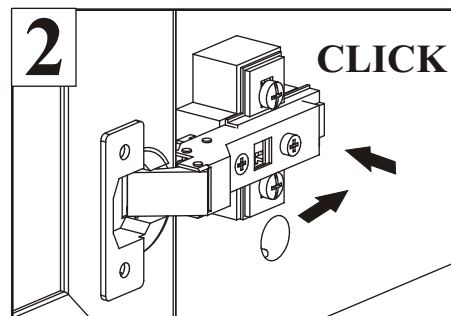
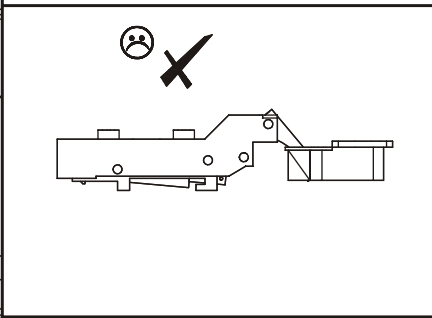
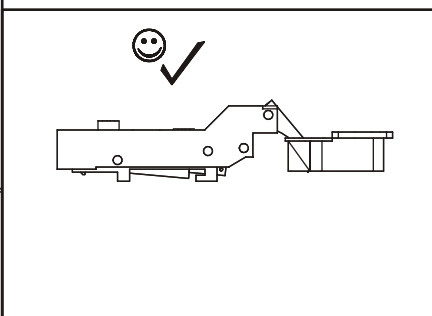
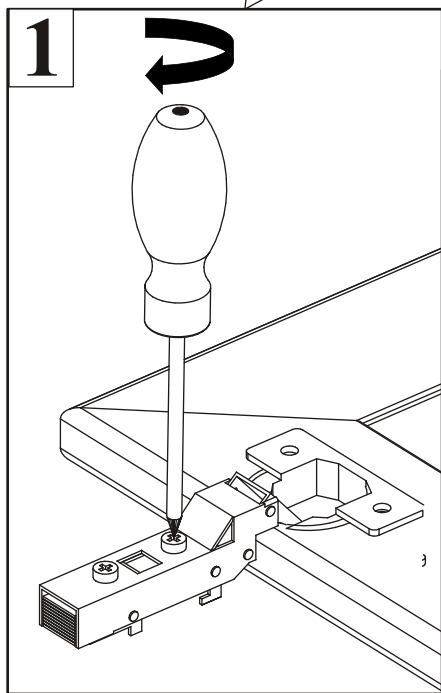
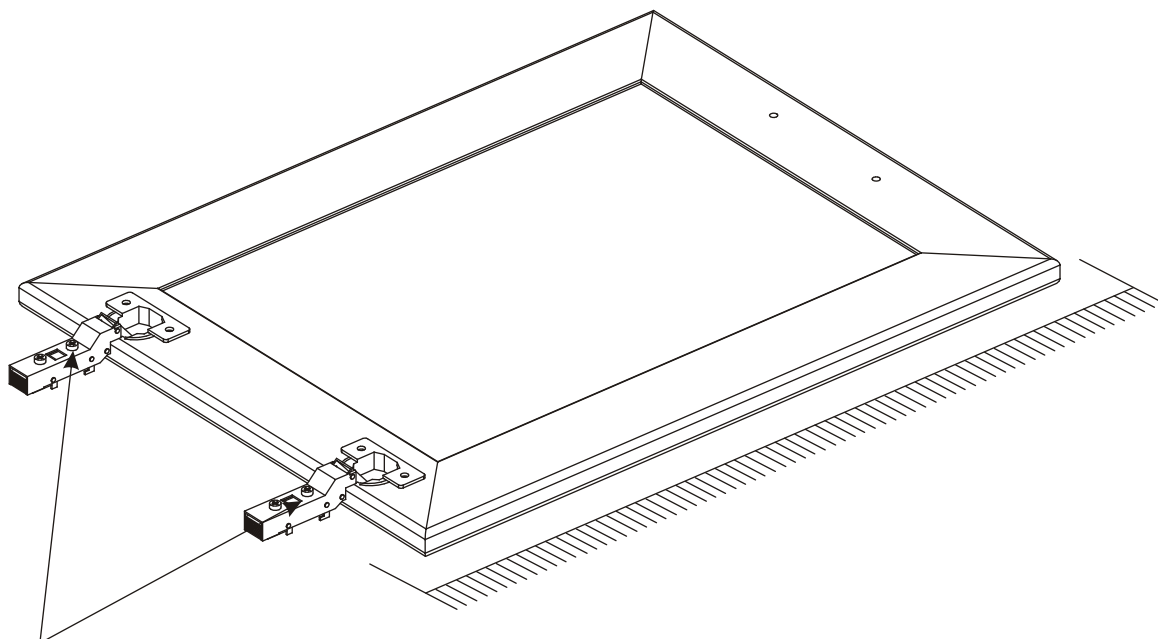


27

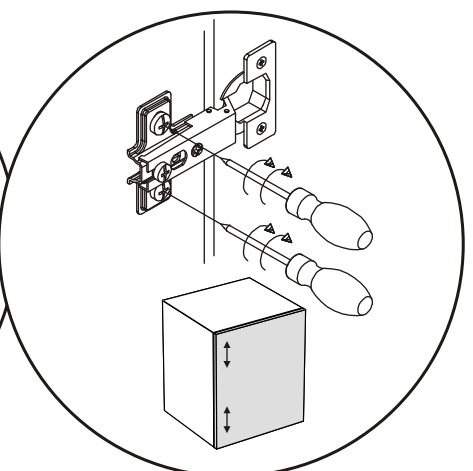
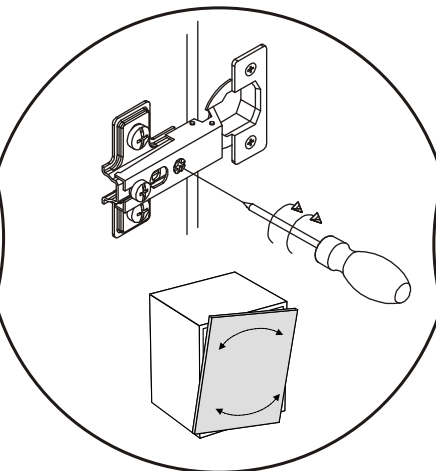
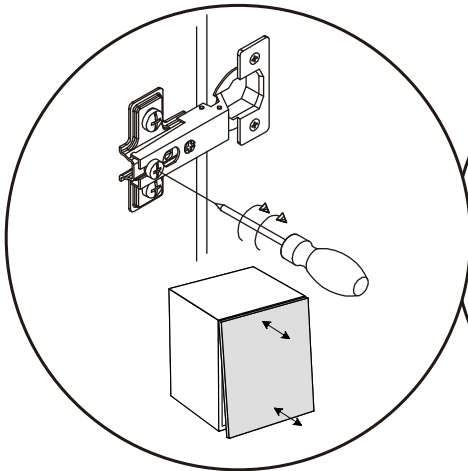
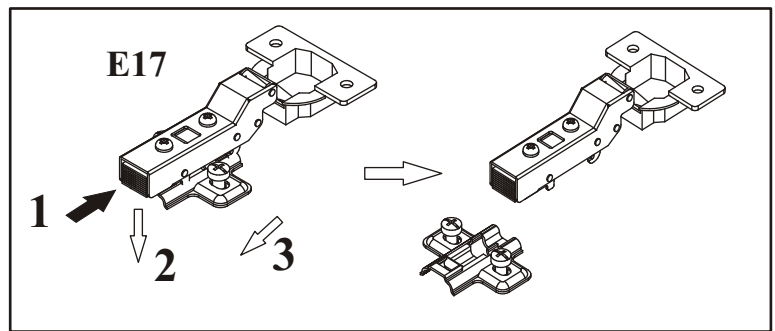
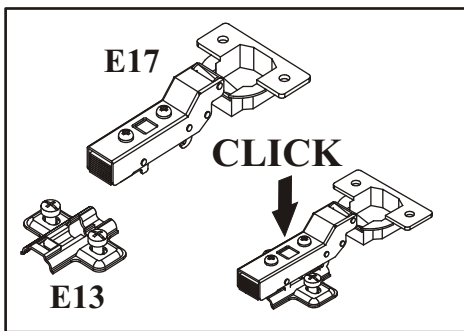
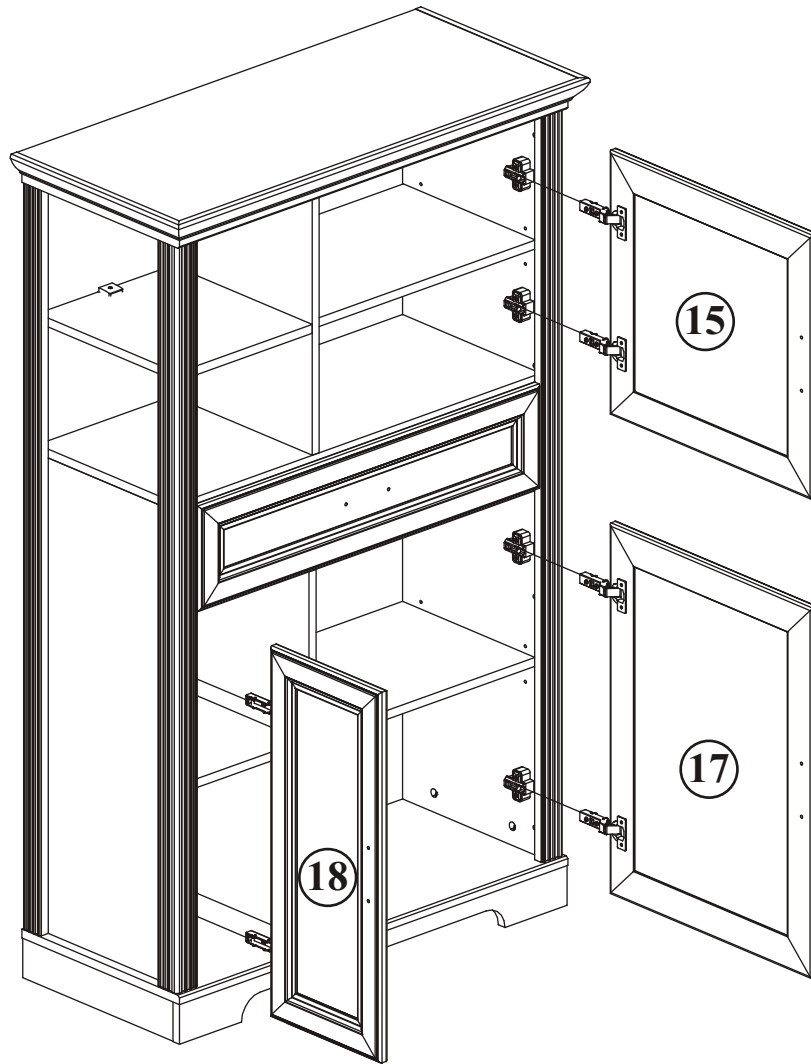


↑ +4 mm

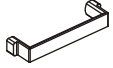
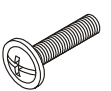
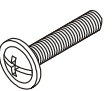
28

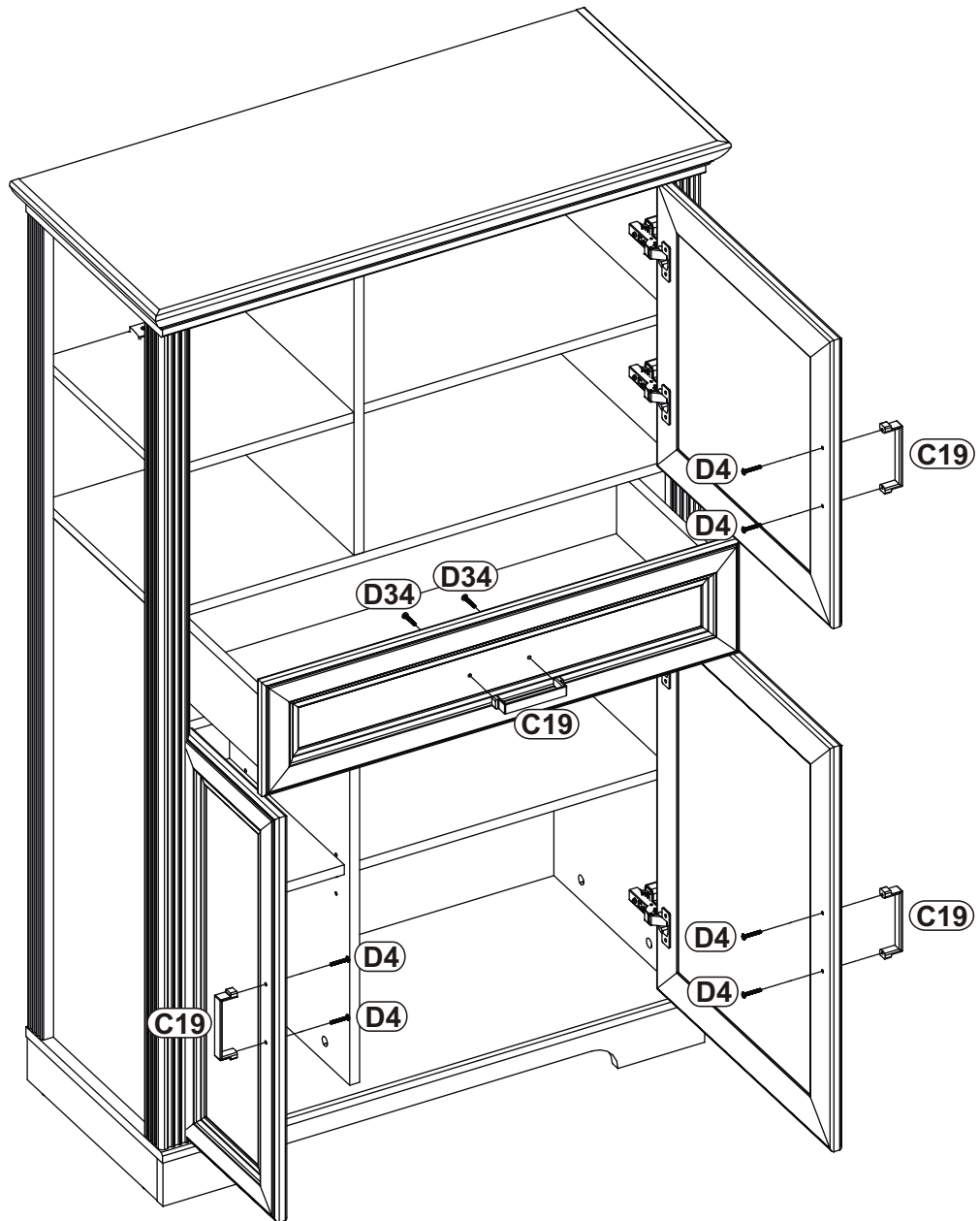


29



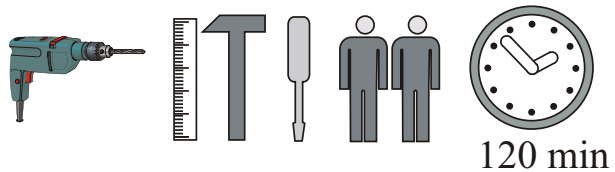
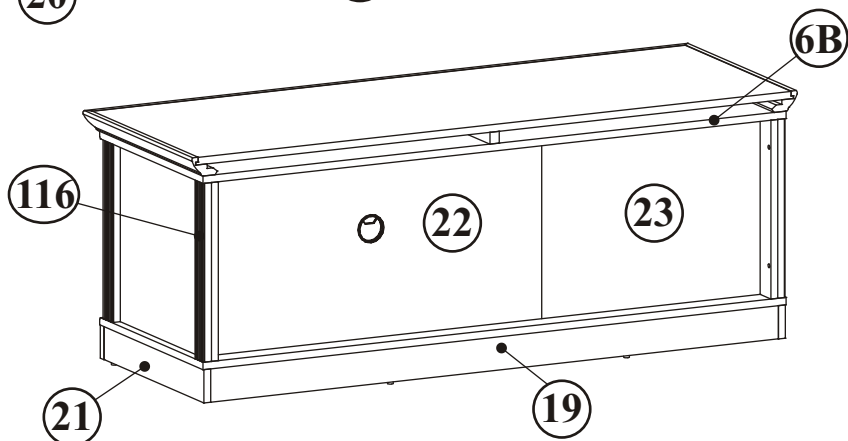
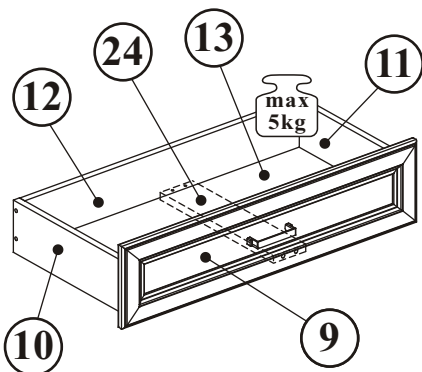
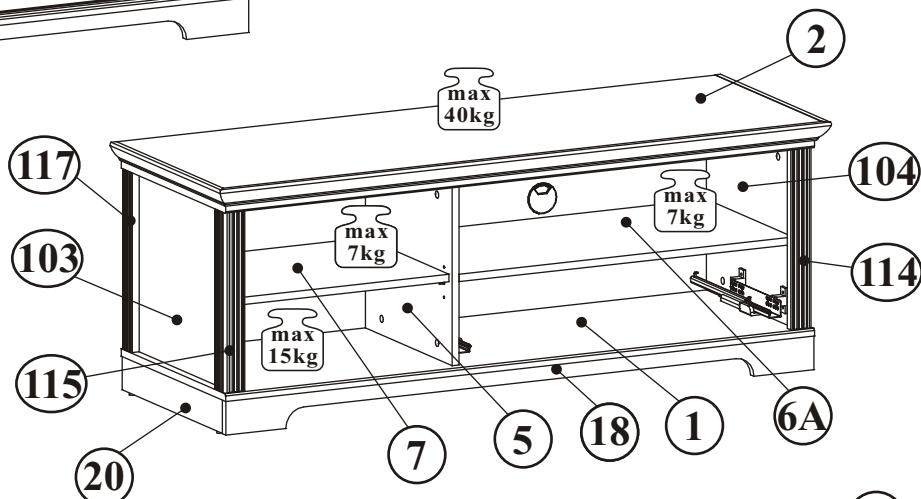
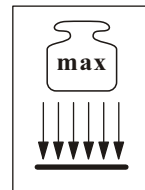
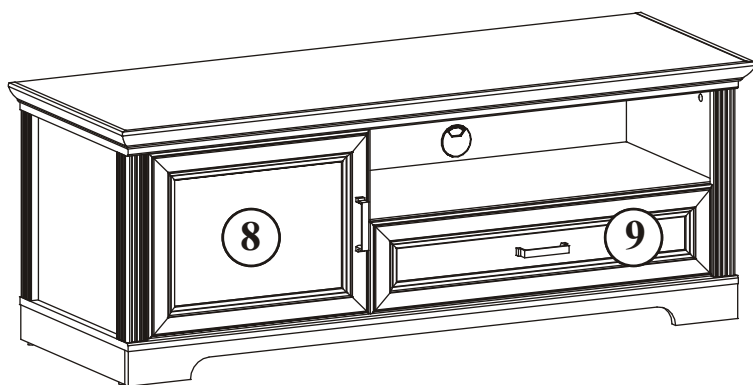
30

C19		D34		D4	
x4		x2	M4x16	x6	M4x30





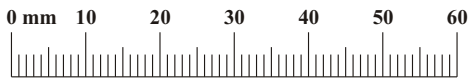
# JASMIN 10G9\_31




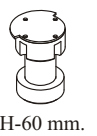
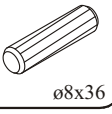
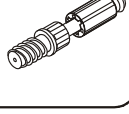


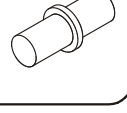
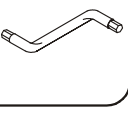
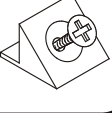
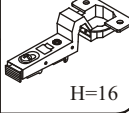
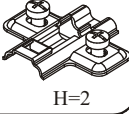

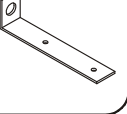
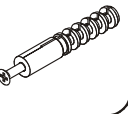



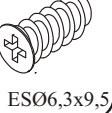
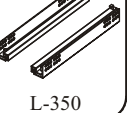




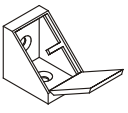
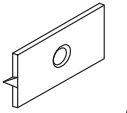

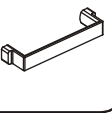




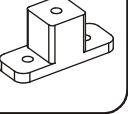


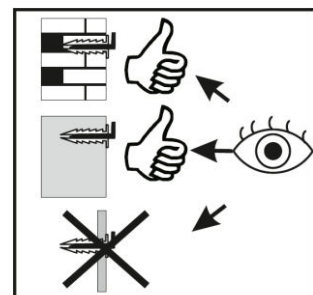
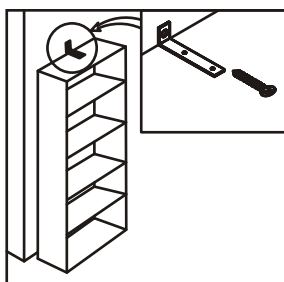
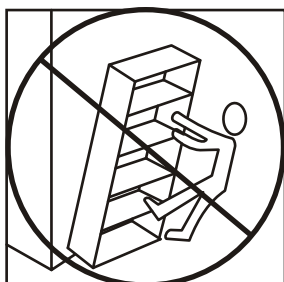
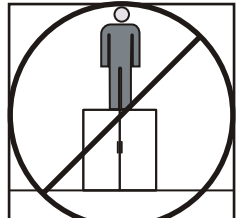
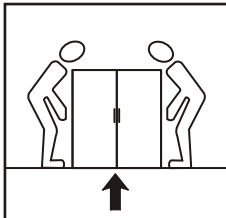
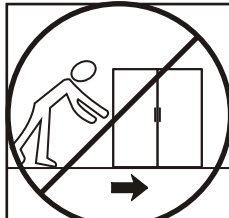
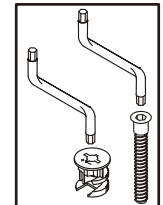
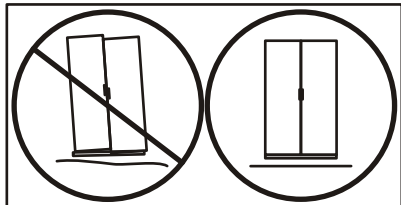
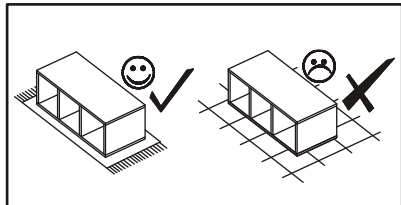
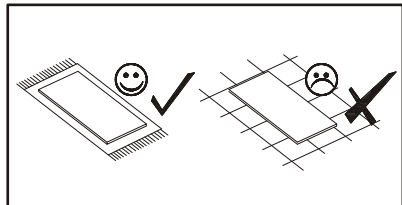
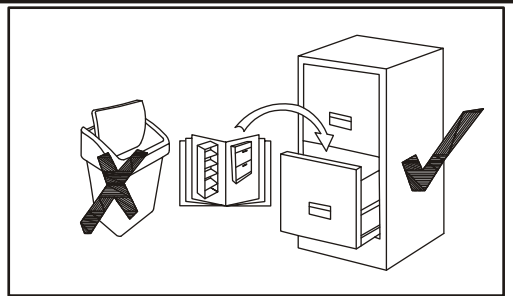
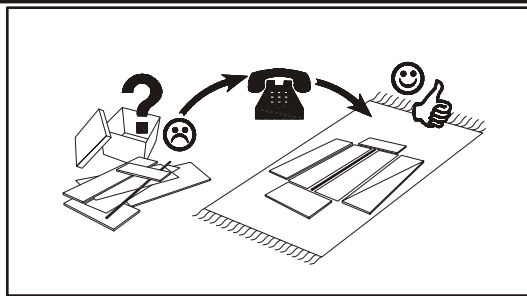
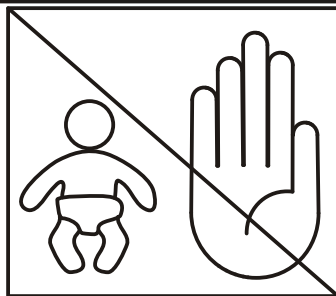
NO	Dim.			Col.-No	Qty
1	1376	482	16	1	1
2	1429	508	42	2	1
103	386	455	16	2	1
104	386	455	16	2	1
5	386	401	16	2	1
6A	781	401	16	1	1
6B	1376	482	16	2	1
7	507	386	16	1	1
8	380	496	22	1	1
9	770	188	22	1	1
10	350	120	16	1	1
11	350	120	16	1	1

NO	Dim.			Col.-No	Qty
12	716	106	16	1	1
13	354	728	3	1	1
114	386	49	49	1	1
115	386	49	49	1	1
116	386	43	19	1	1
117	386	43	19	1	1
18	1374	72	16	1	1
19	1340	72	16	1	1
20	465	72	16	1	1
21	465	72	16	1	1
22	795	398	3	1	1
23	521	398	3	1	1
24	349	80	16	1	1

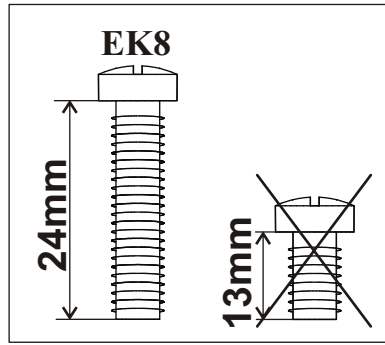
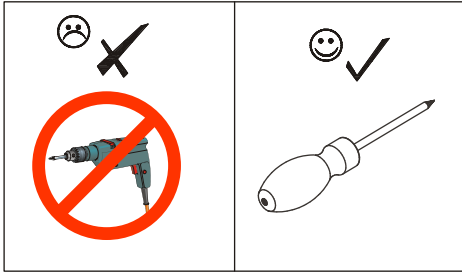
# JASMIN 10G9\_31


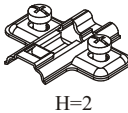


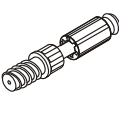
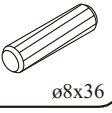
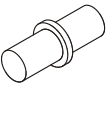

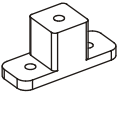


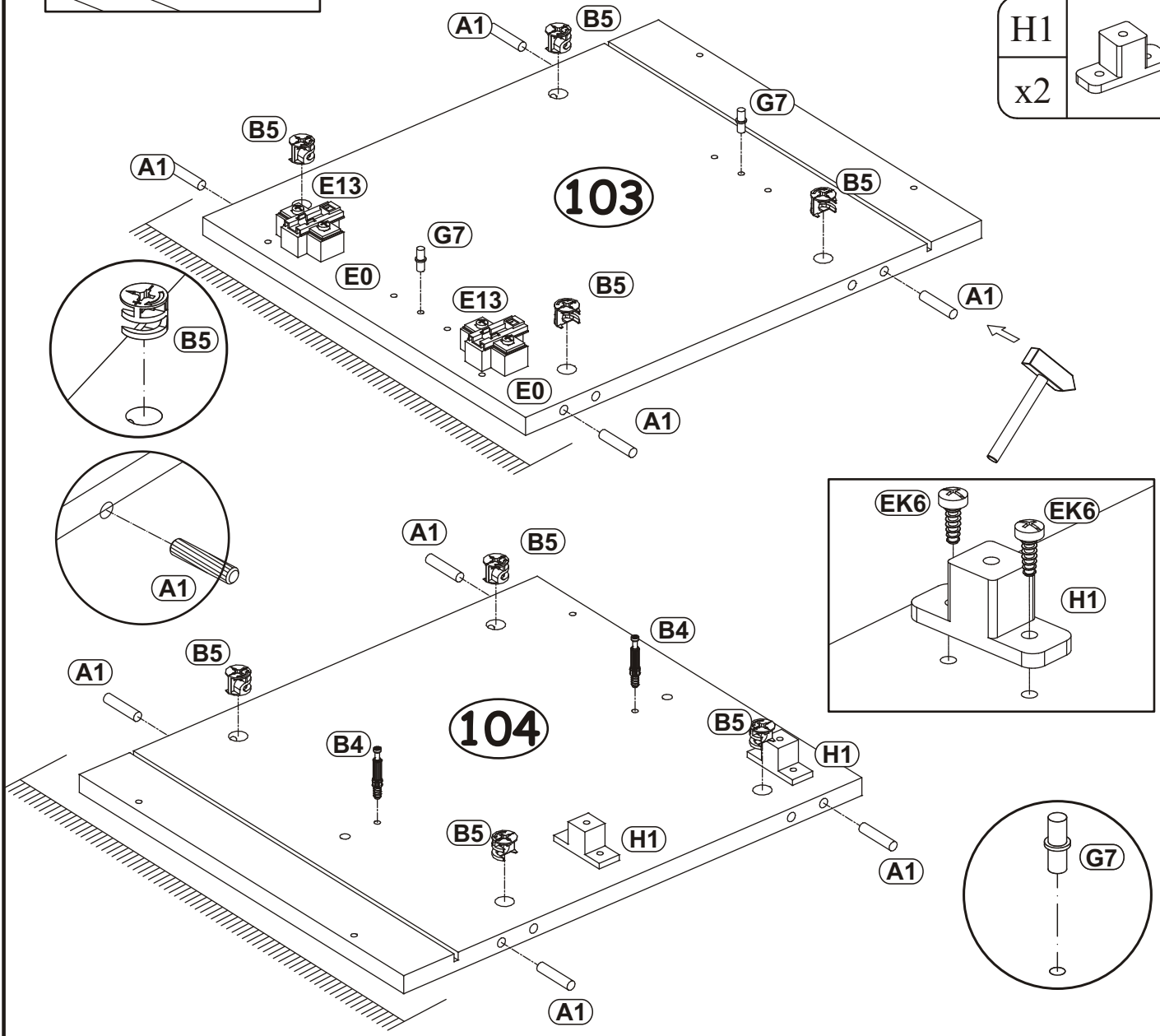
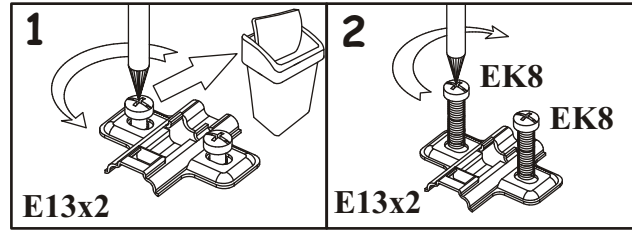
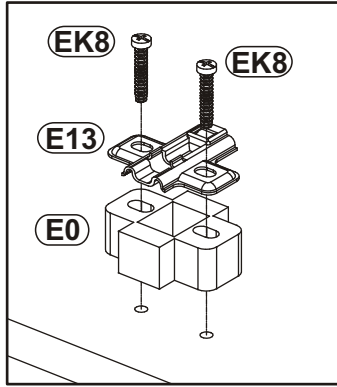
D24 x8  USØ4x30	G12 x16  Ø14	UP9 x4  UPØ3,5x16	I9 x1  H=60 mm.
A1 x36  ø8x36	B4 x32 	B5 x32  ø15x12	G5 x32 
G7 x4 	G2 x1 	S1 x14 	E17 x2  H=16
E13 x2  H=2	UP6 x2  UPØ4x30	L1 x2 	KR1 x2 
EK8 x4  EKØ6,3x24	D10 x14  USØ3,5x13	UP13 x9  UPØ3x16	D20 x4  ESØ6,3x9,5
QU x1  L-350	I2 x6 	B11 x4  Ø7x50	B14 x8  Ø7x30
G4 x4 	KM1 x3 	G16 x3 	E0 x2  H=11
C19 x2 	D16 x2  M4x16	D4 x2  M4x30	G18 x1  Ø60
EK6 x4  EKØ6,3x13	H1 x2 		



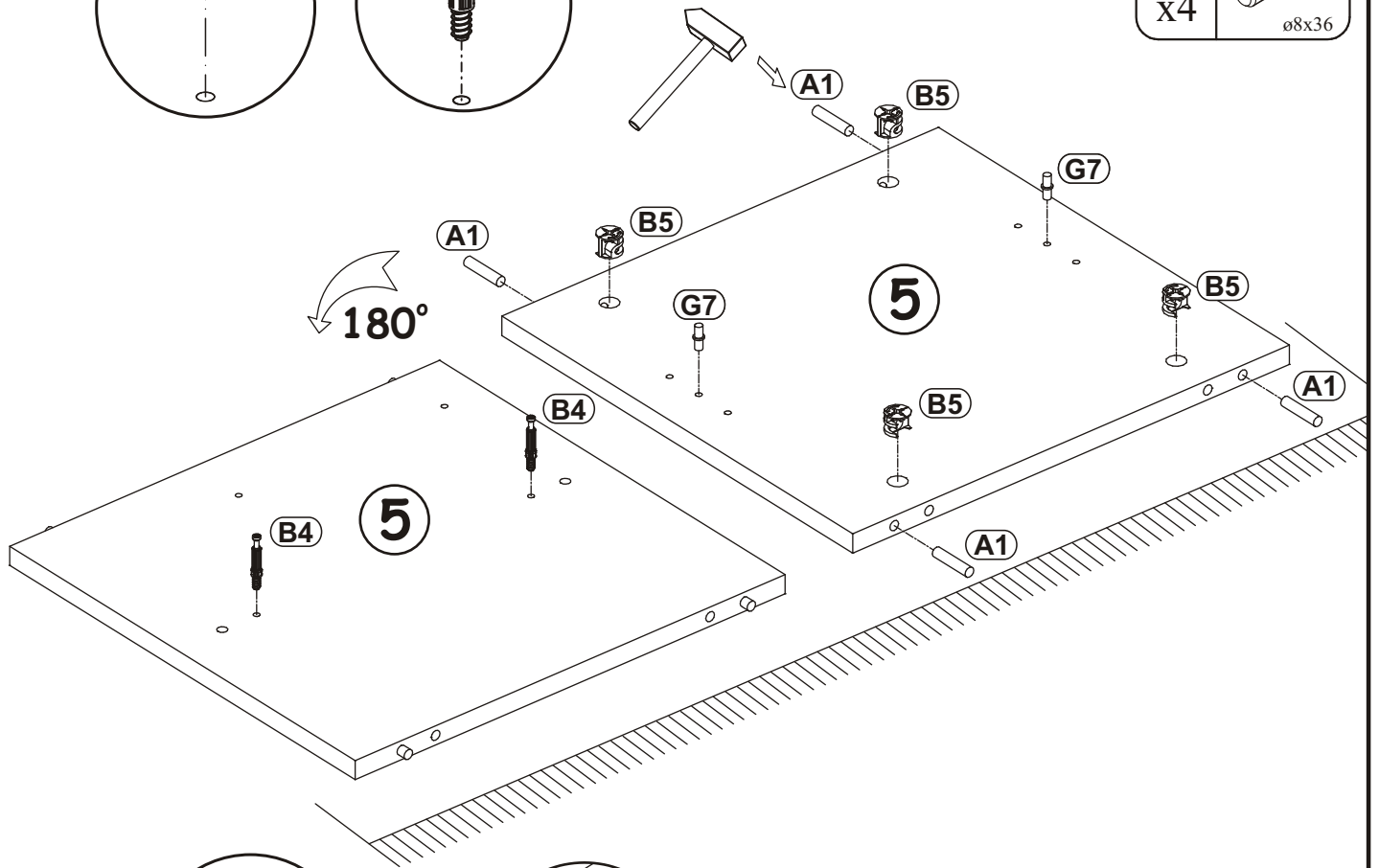
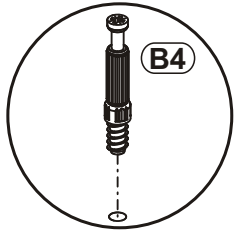
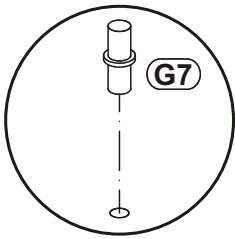
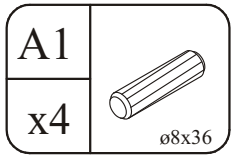
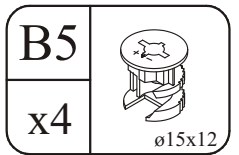
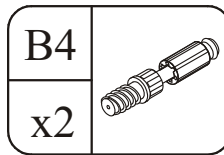
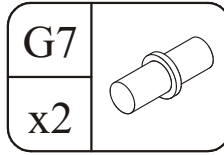
1



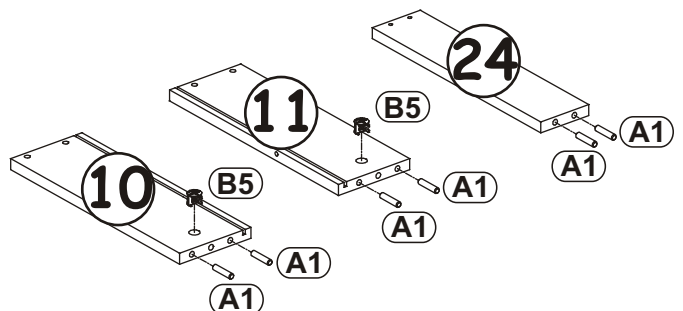
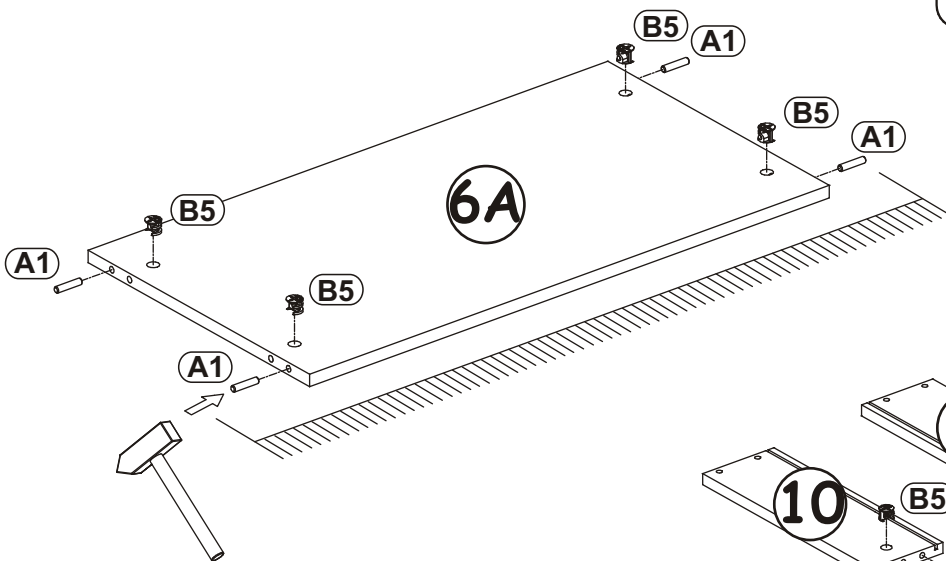
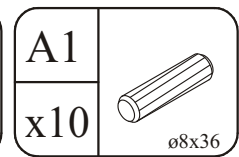
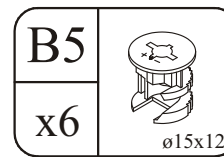
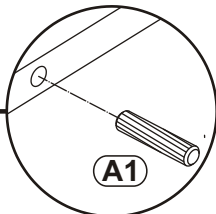
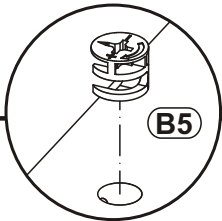
E0 x2	 H=11	E13 x2	 H=2
B5 x8	 ø15x12	EK8 x4	 EKØ6,3x24
B4 x2		A1 x8	 ø8x36
G7 x2		EK6 x4	 EKØ6,3x13
H1 x2			



2

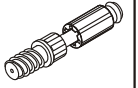


3

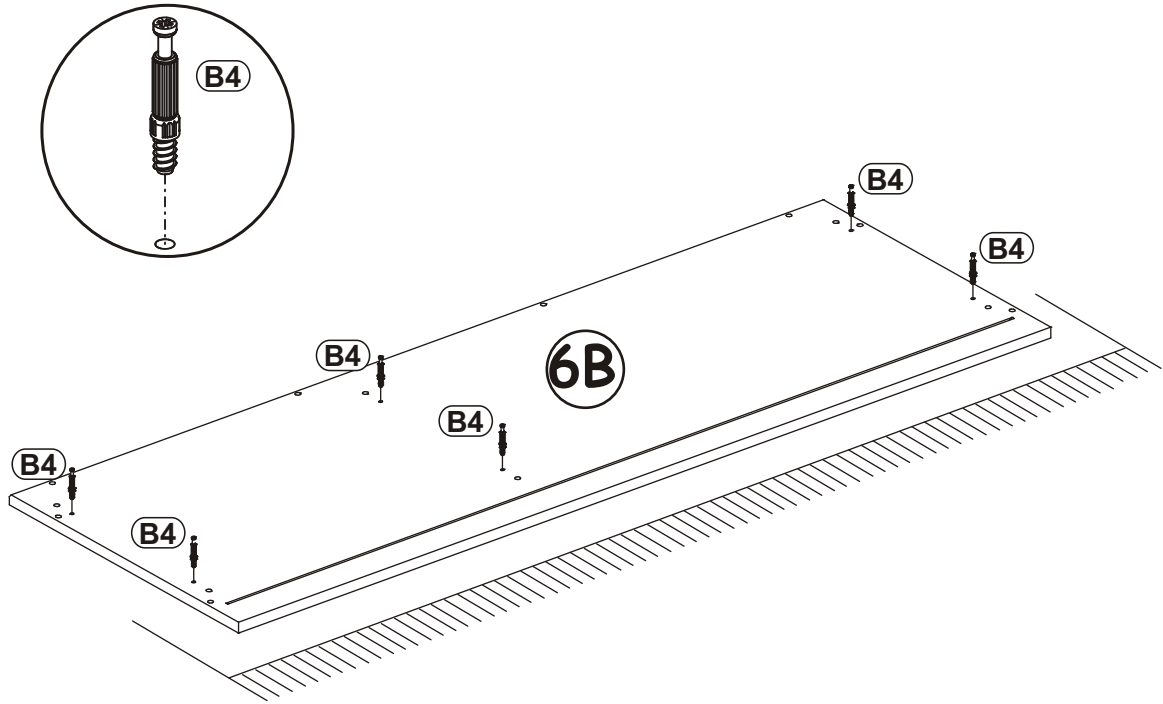


B4

x6



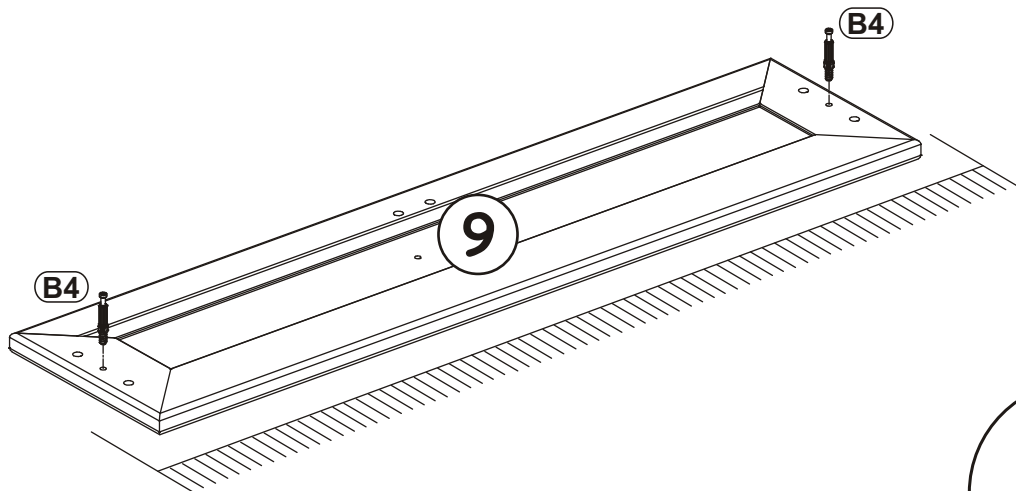
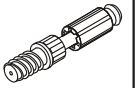
4



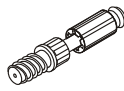

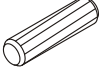
5

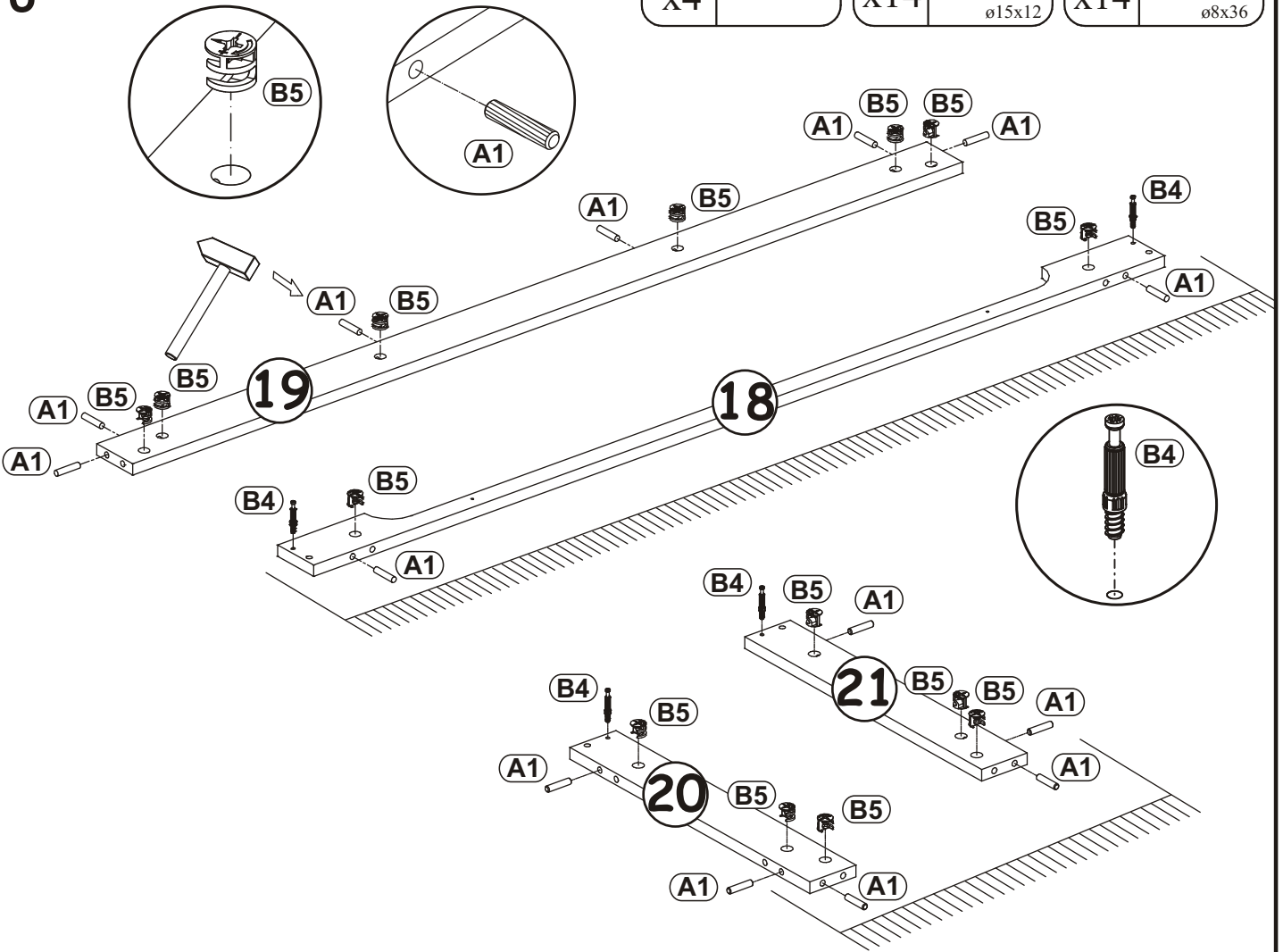
B4

x2

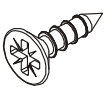
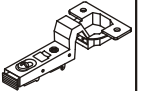


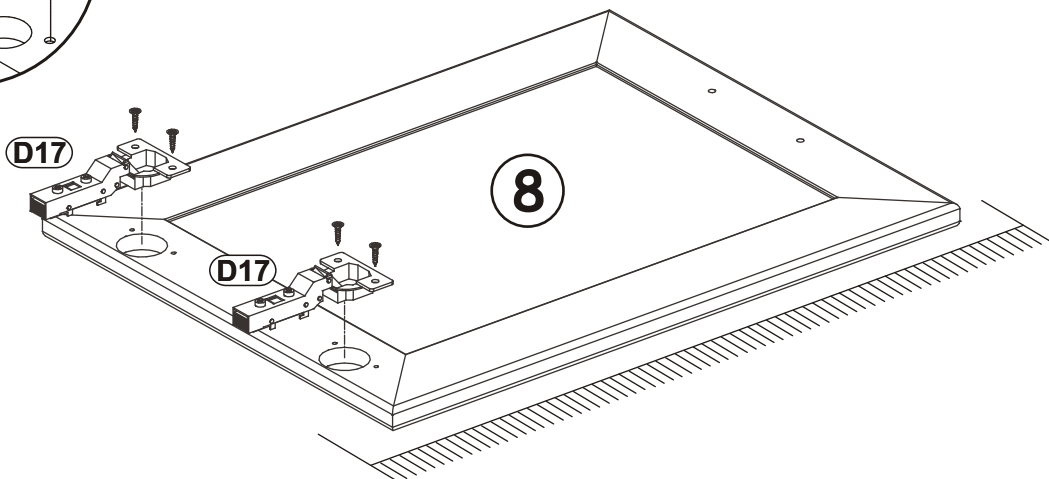
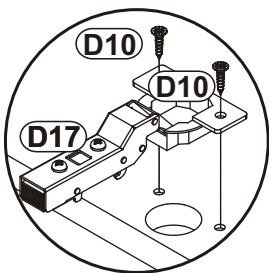
6

B4		B5		A1	
x4		x14	ø15x12	x14	ø8x36

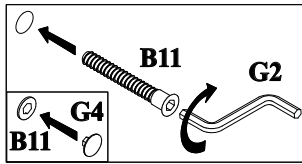


7

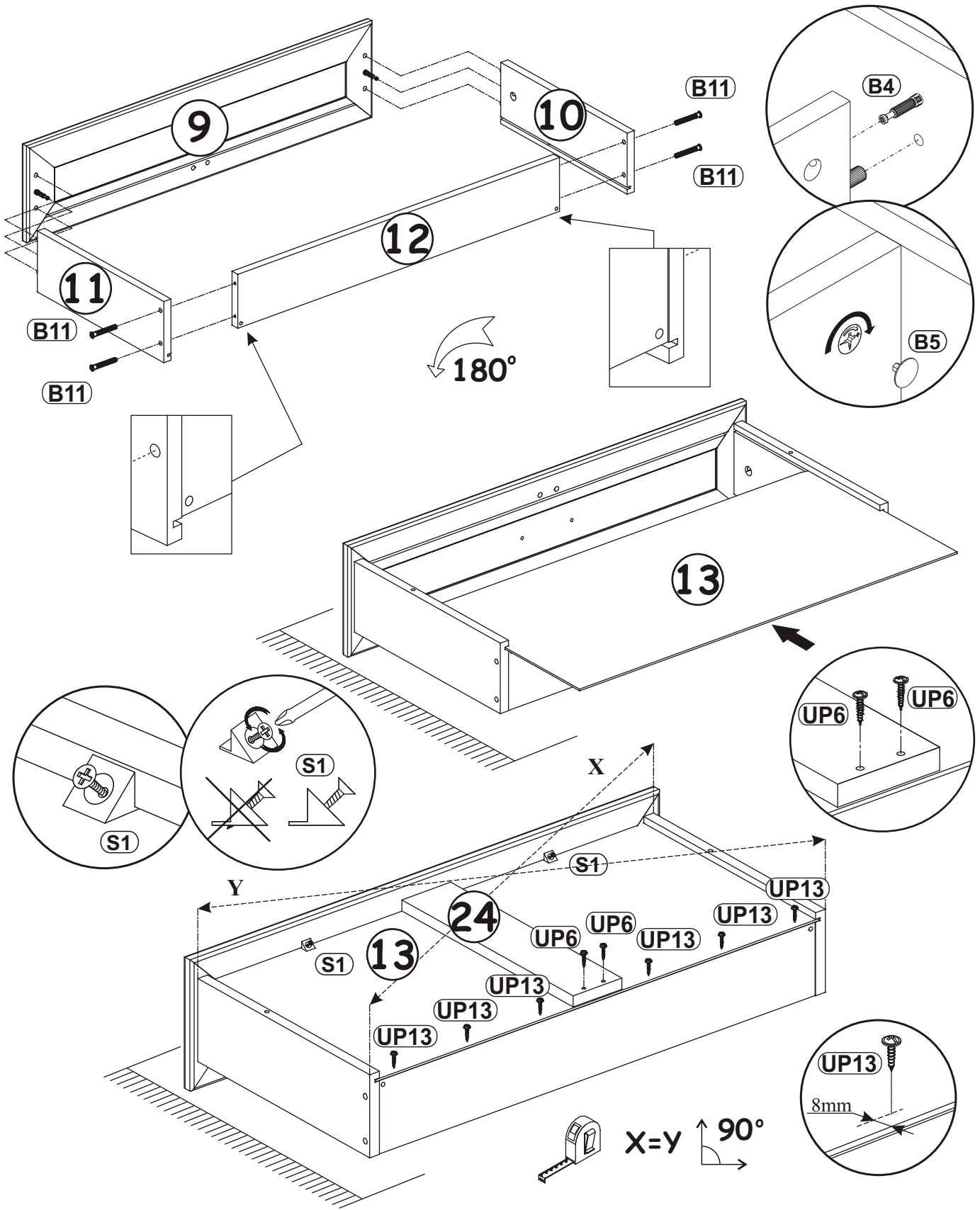
D10		E17	
x4	USØ3,5x13	x2	H=16



8



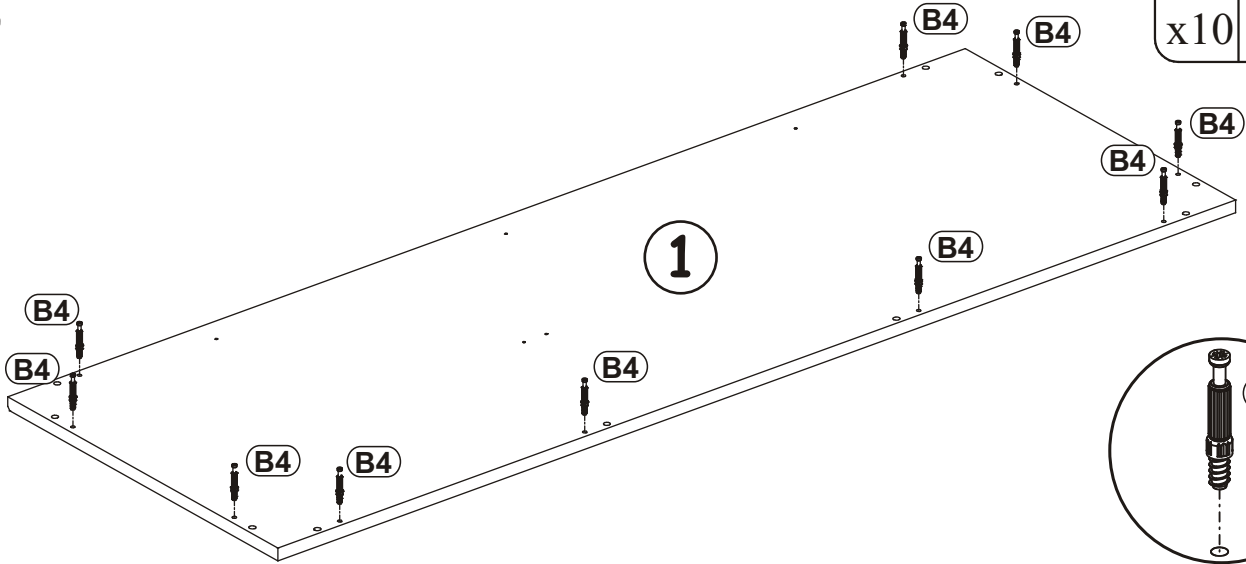
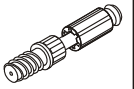
G5		B11		G4	
x2		x4	Ø7x50	x4	
UP13		S1		UP6	
x6	UPØ3x16	x2		x2	UPØ4x30



9

B4

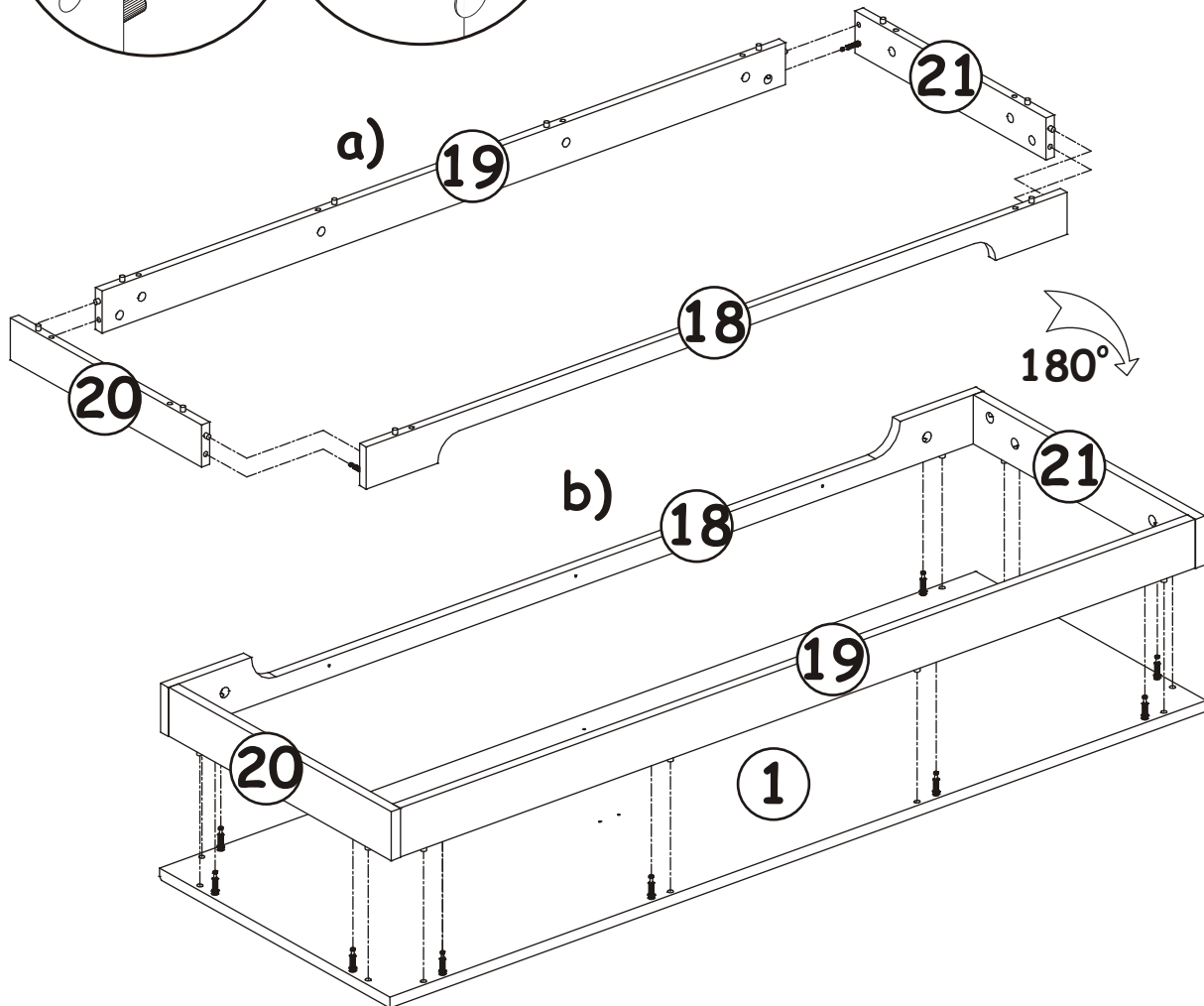
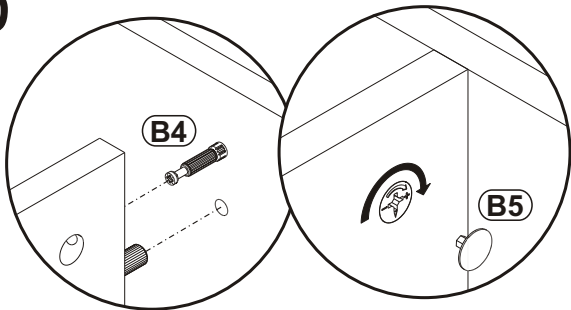
x10



10

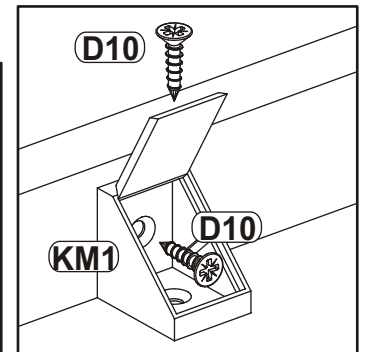
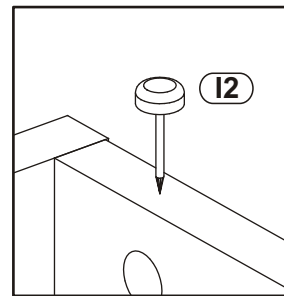
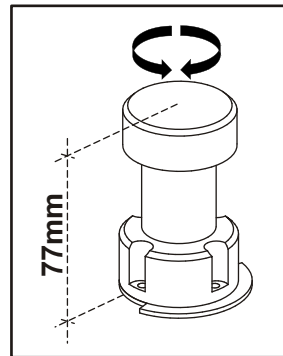
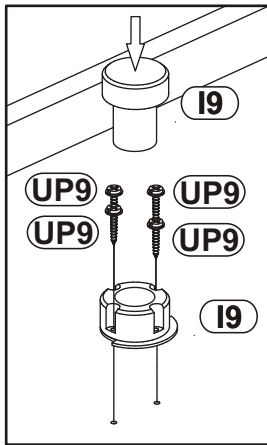
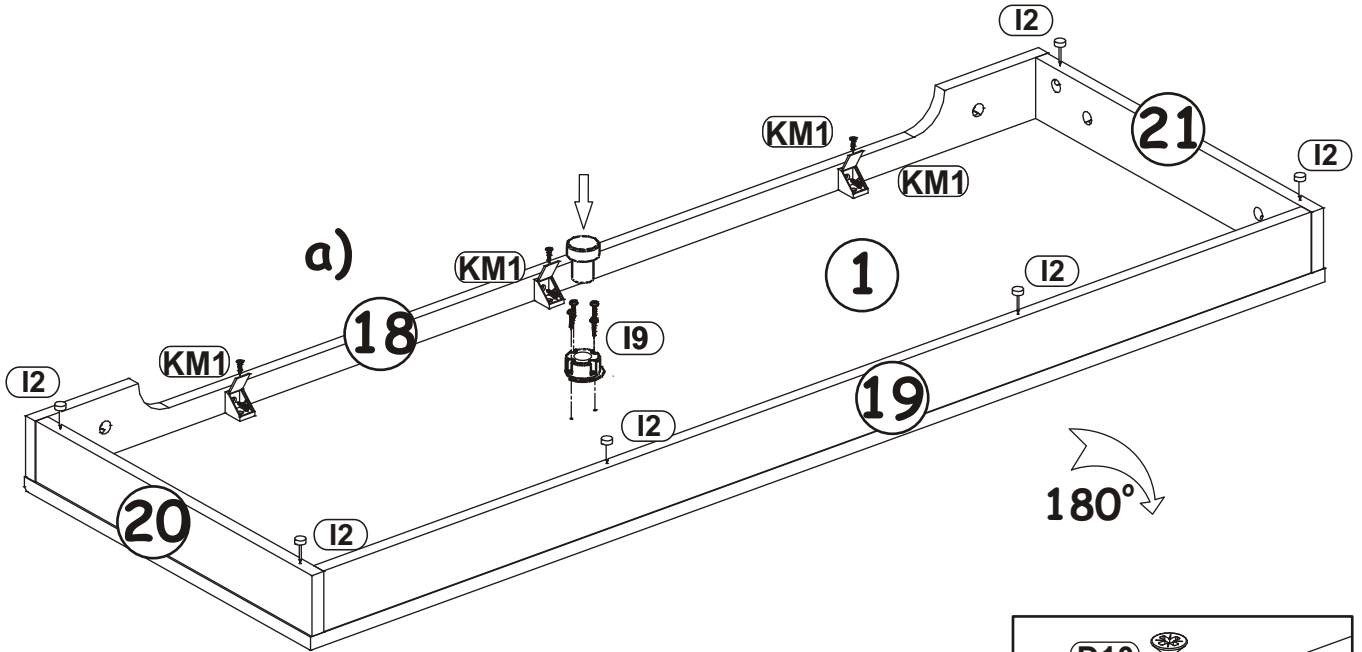
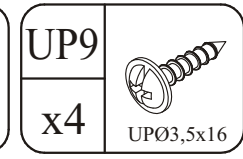
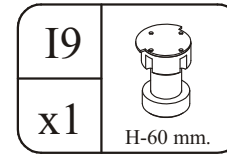
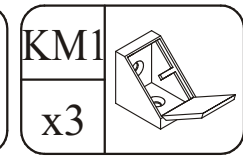
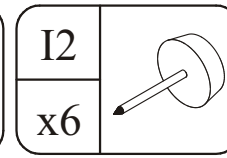
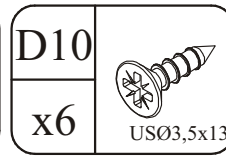
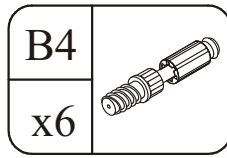
G5

x14

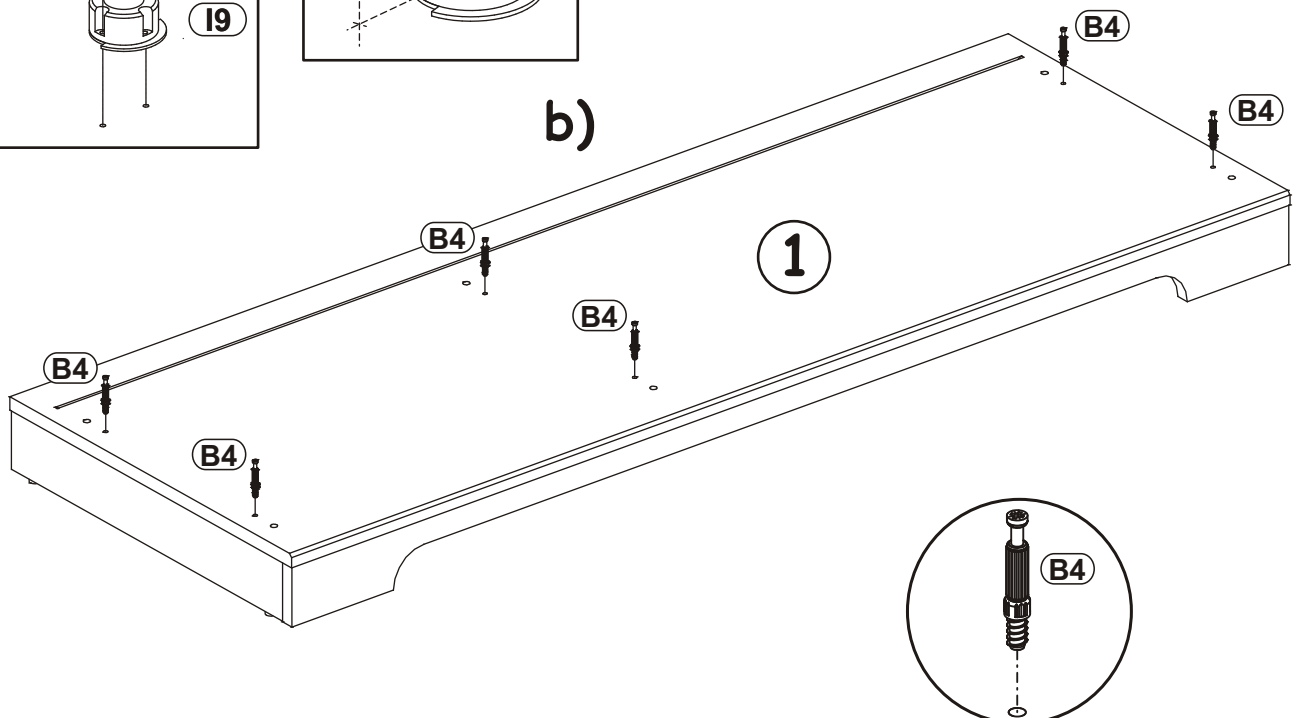






11

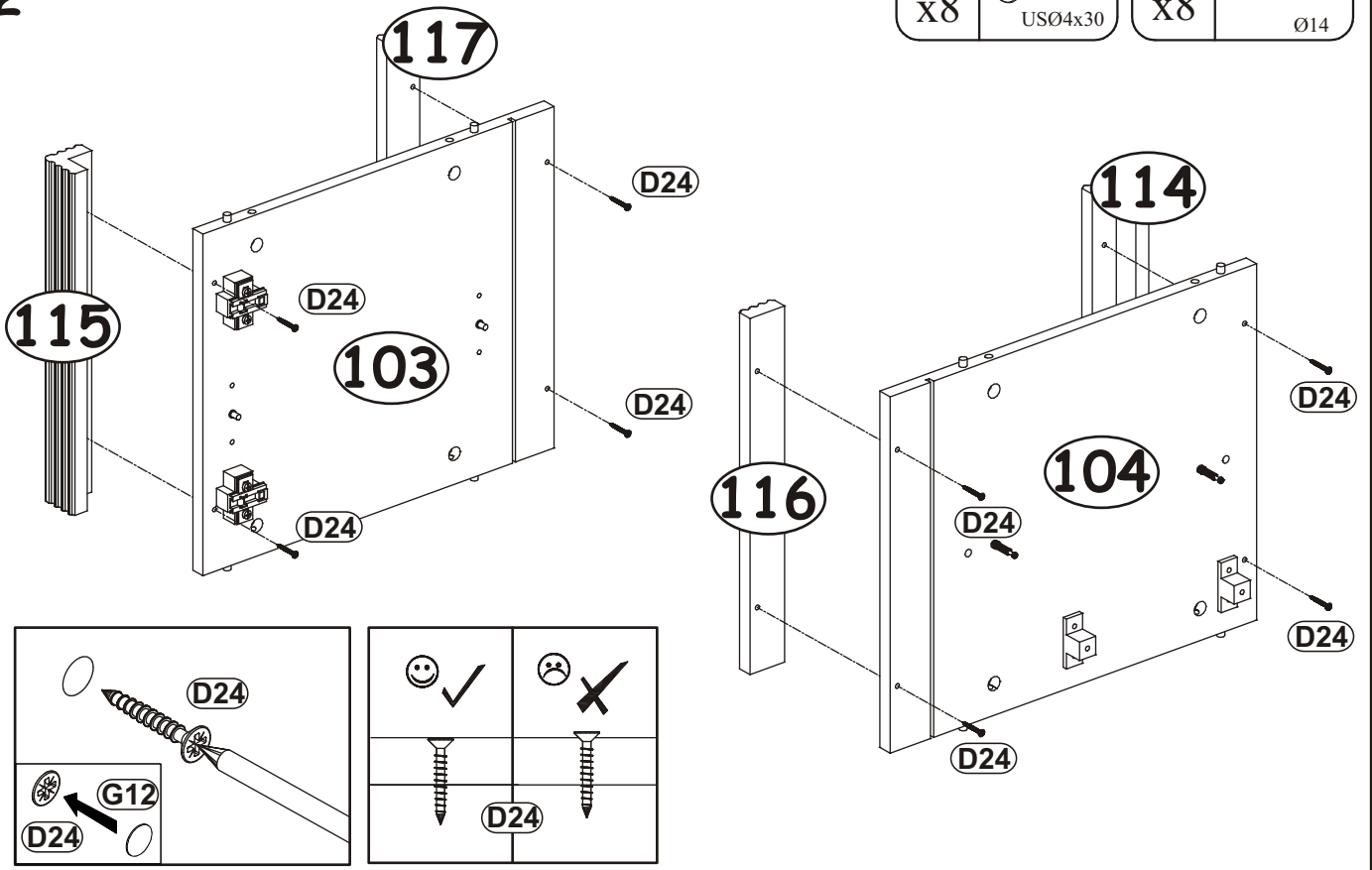


b)




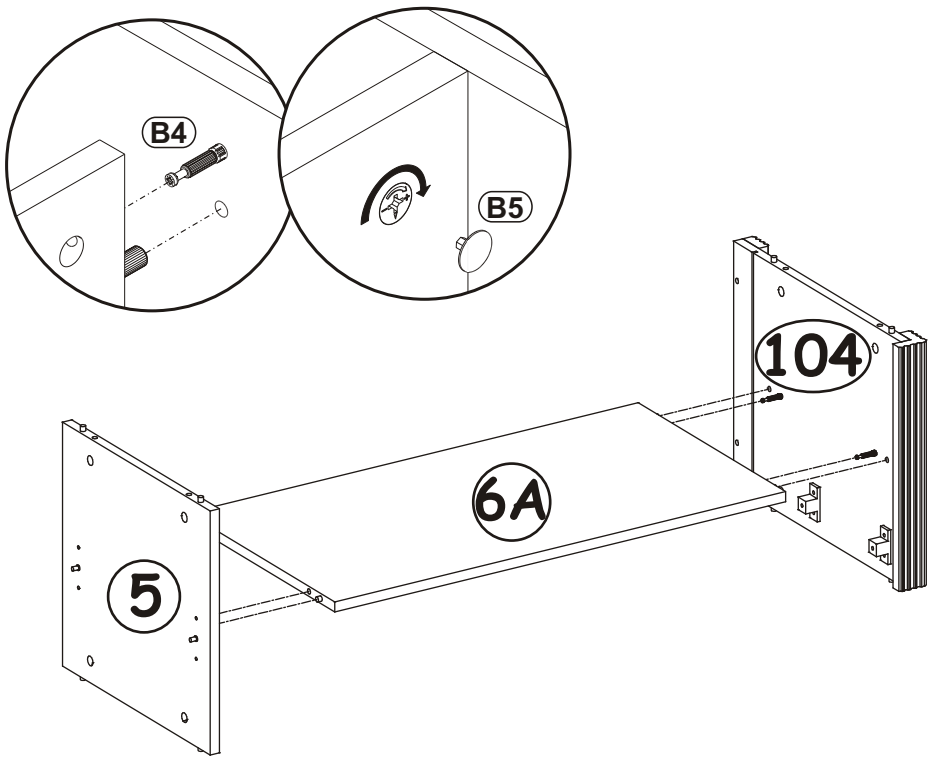
D24		G12	
x8	USØ4x30	x8	Ø14

12

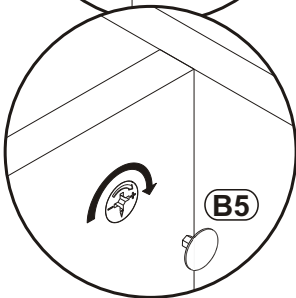
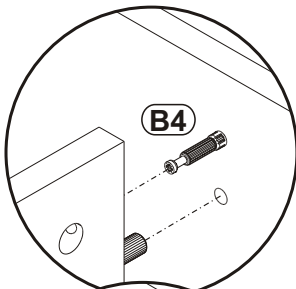
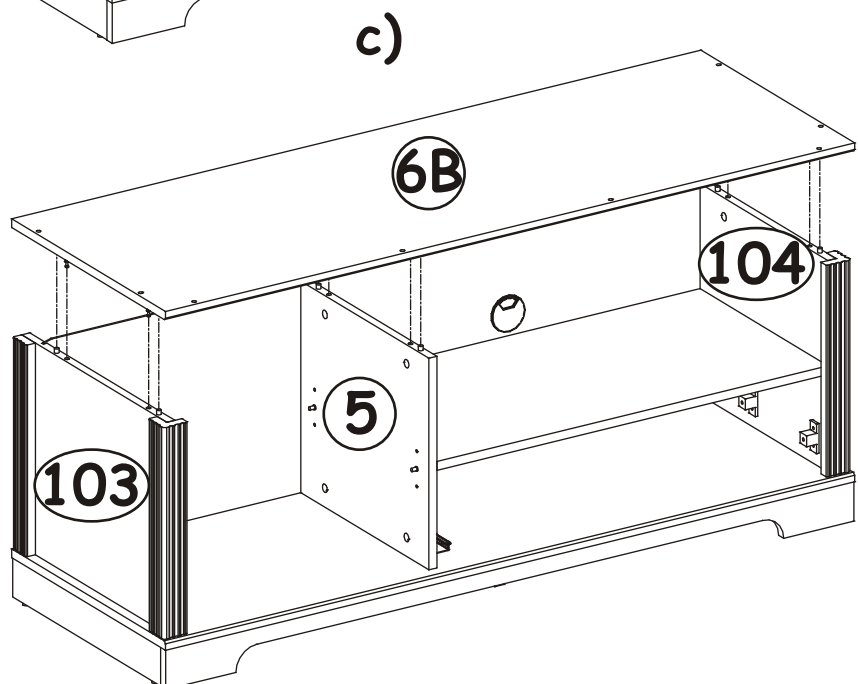
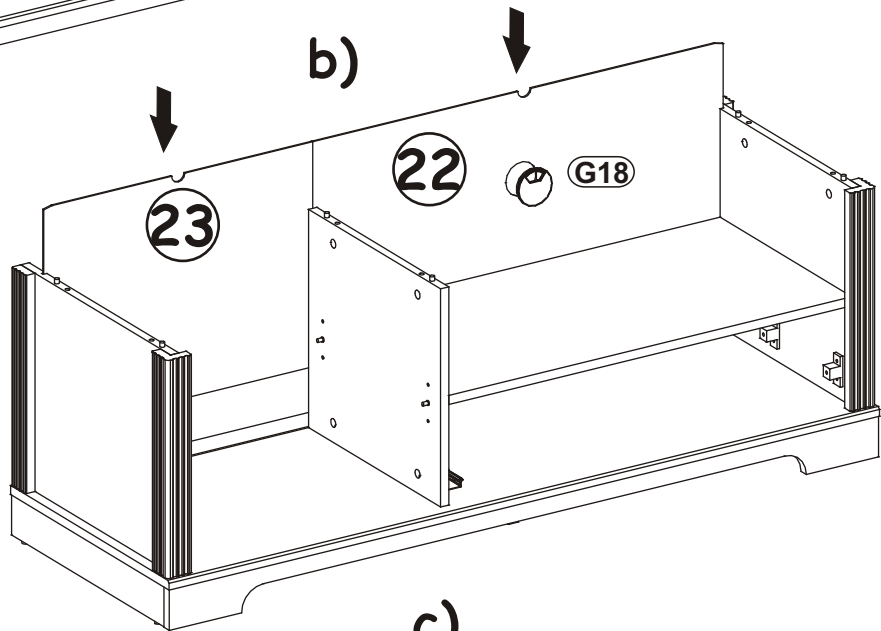
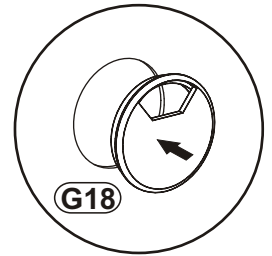
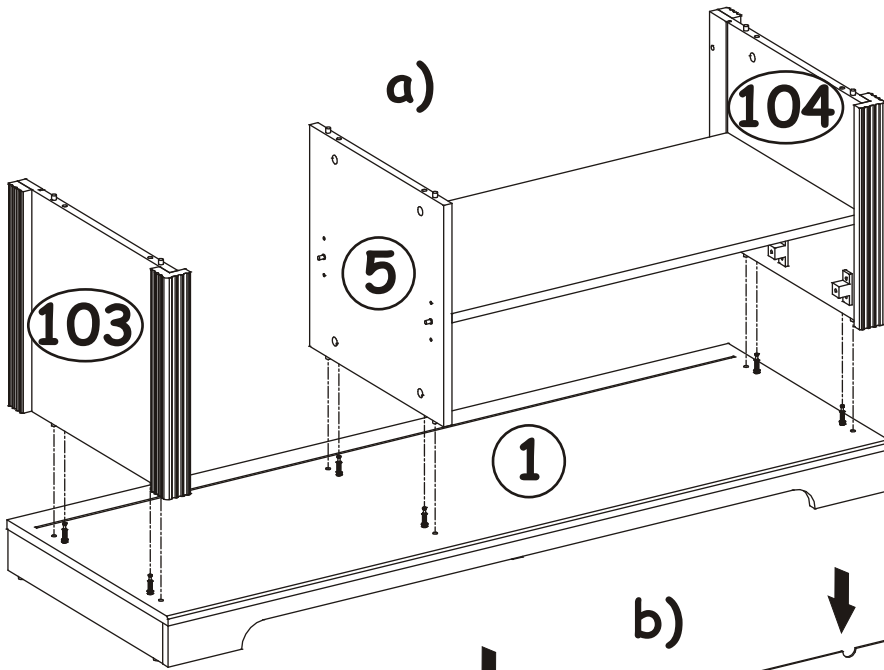
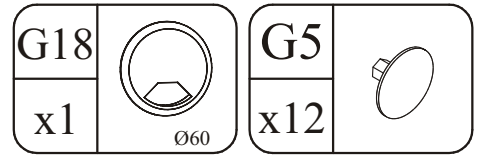


13

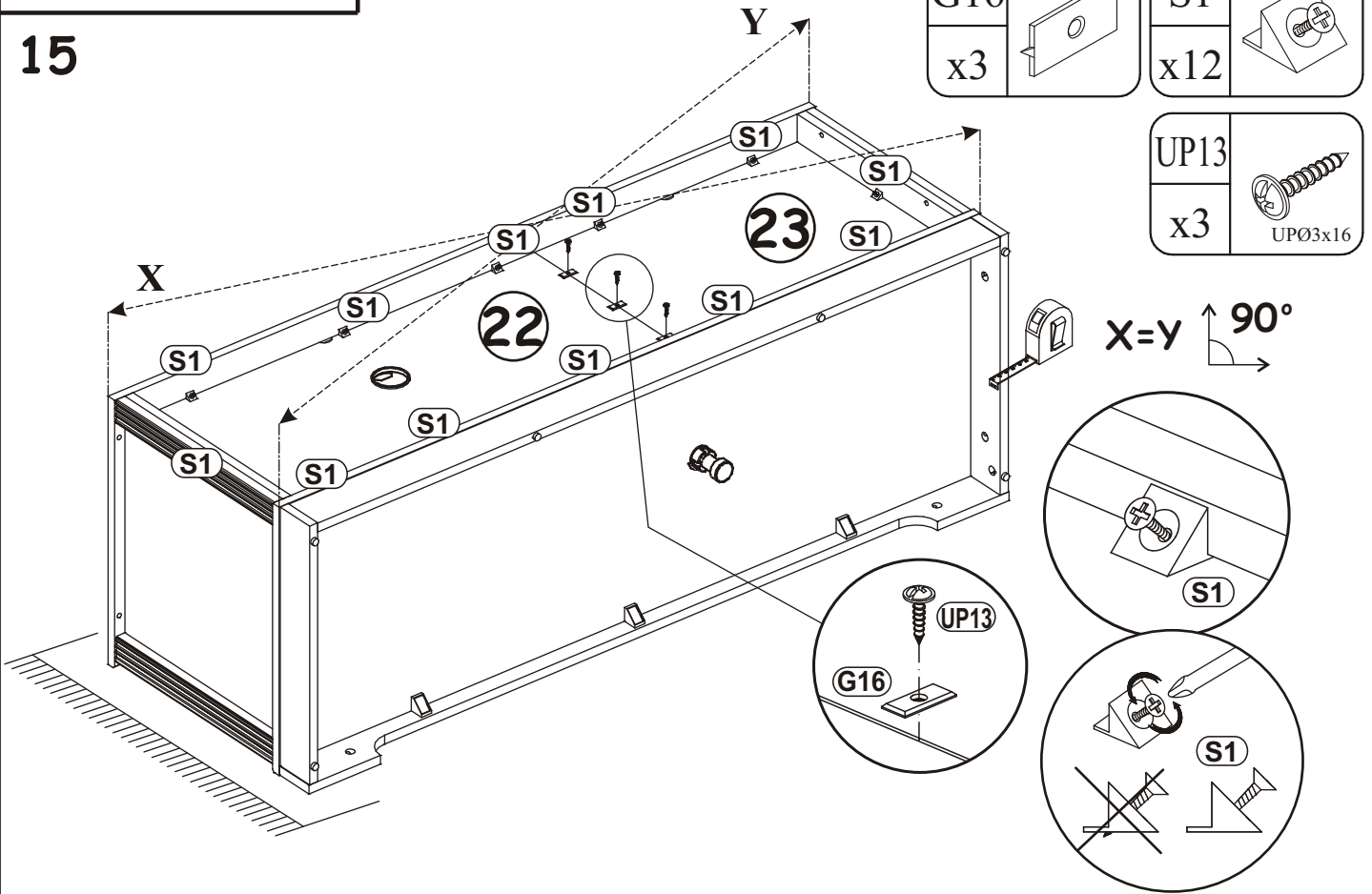
G5	
x4	



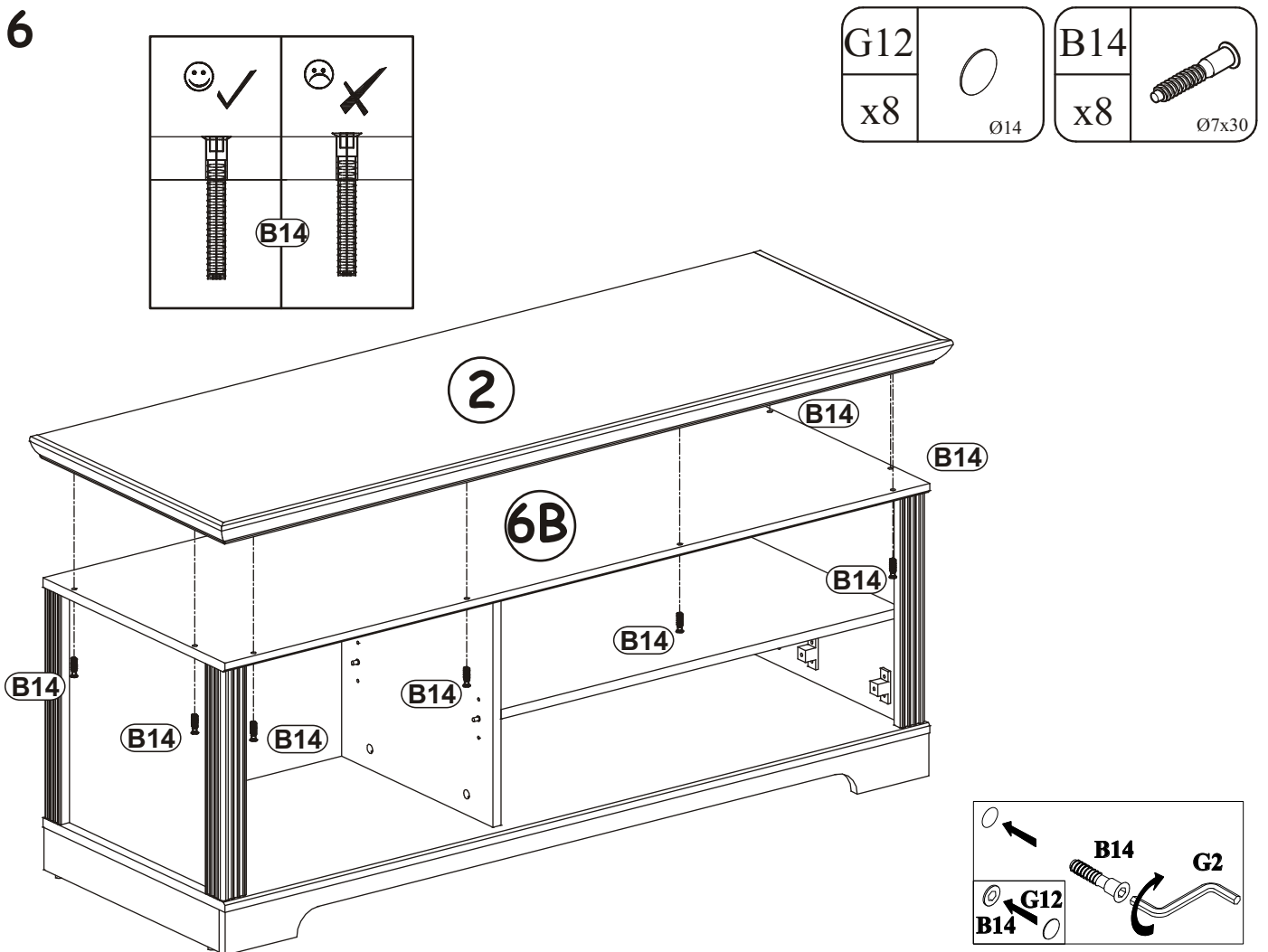
14

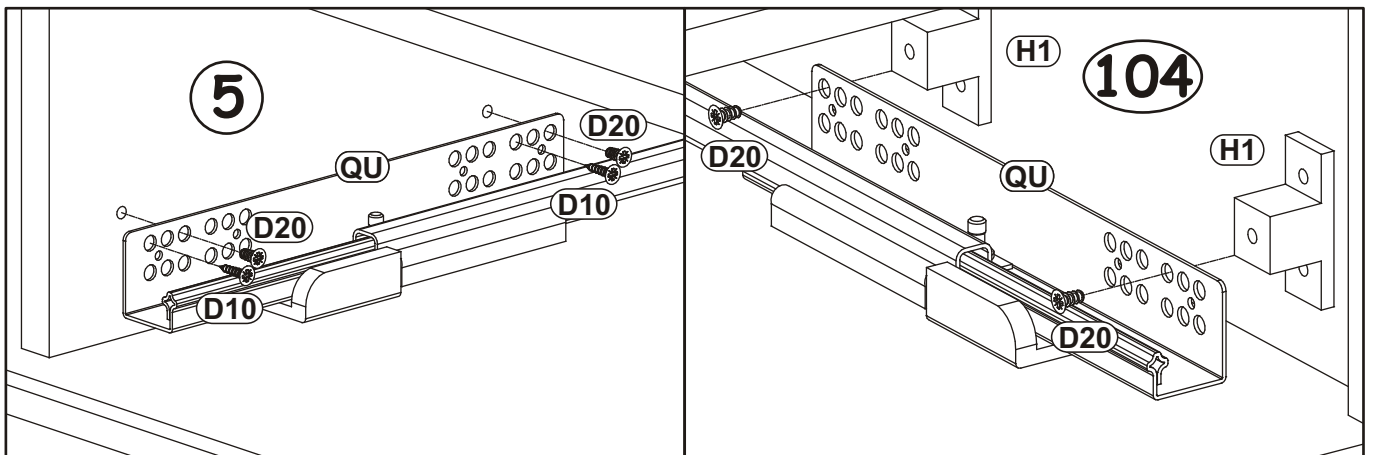
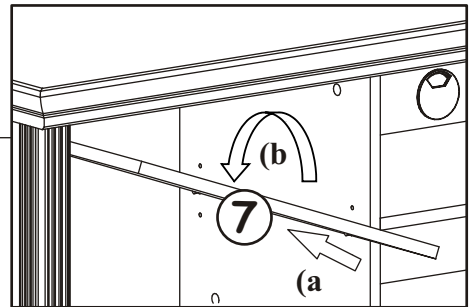
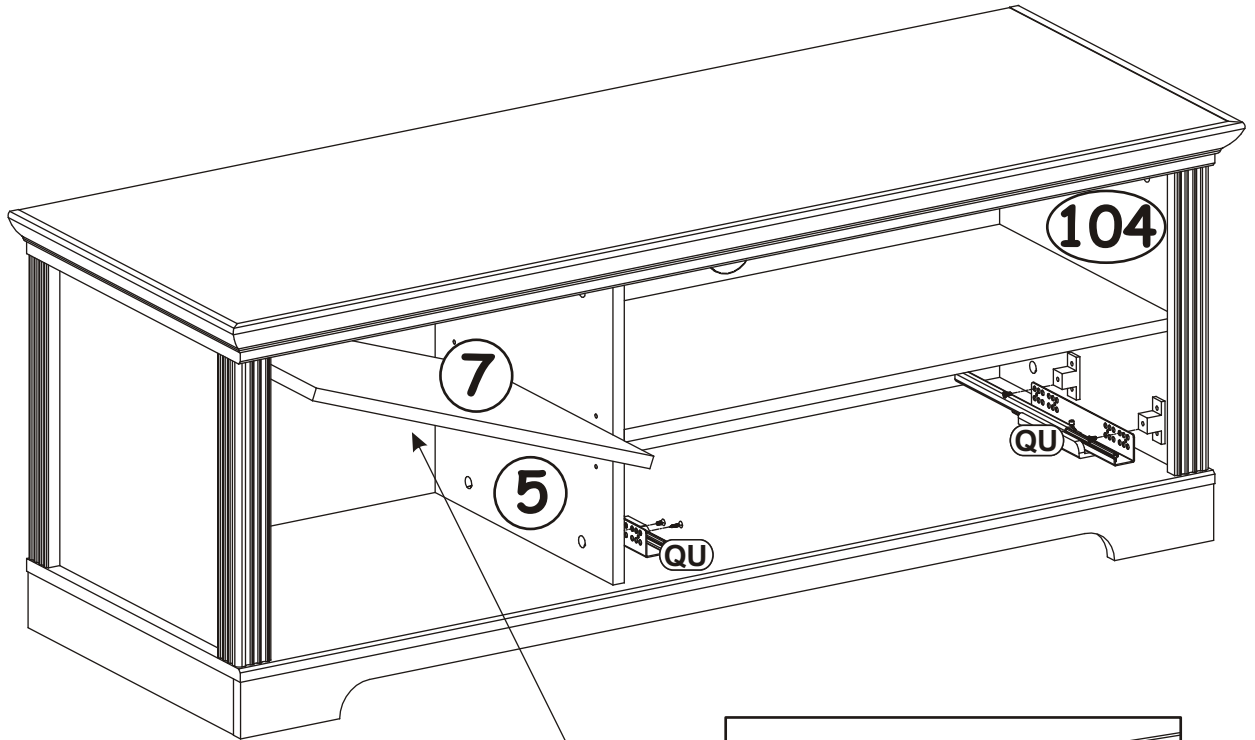
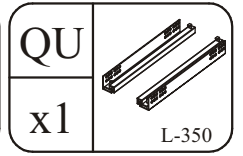
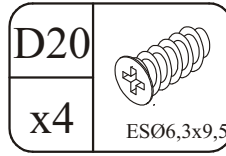
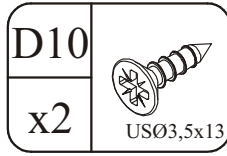


15

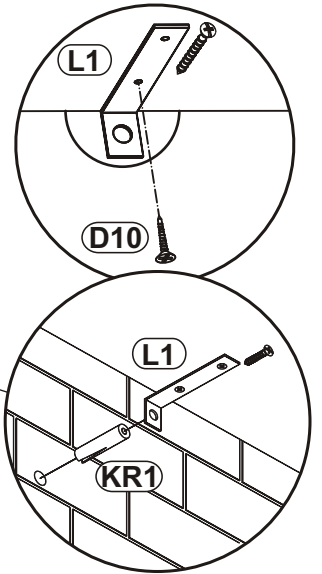
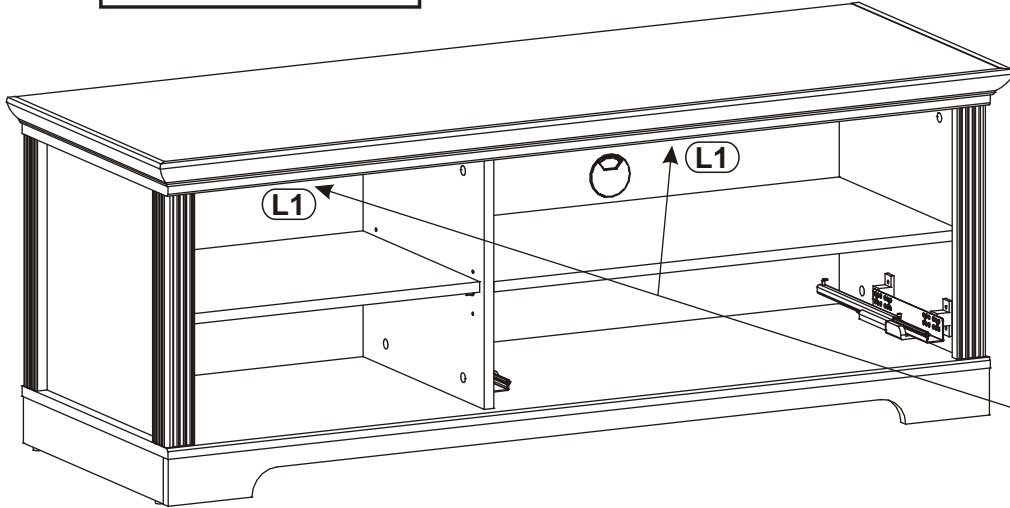
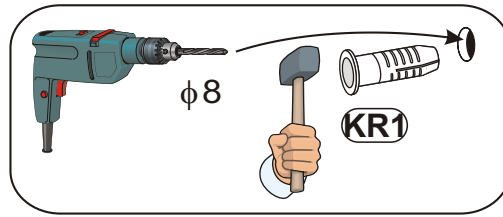
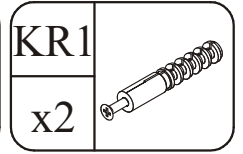
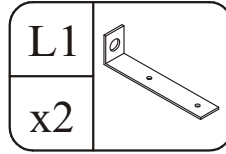
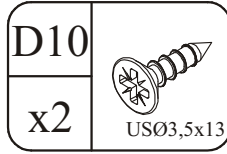
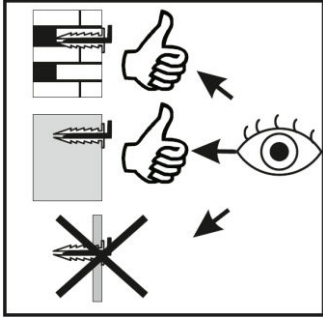


16

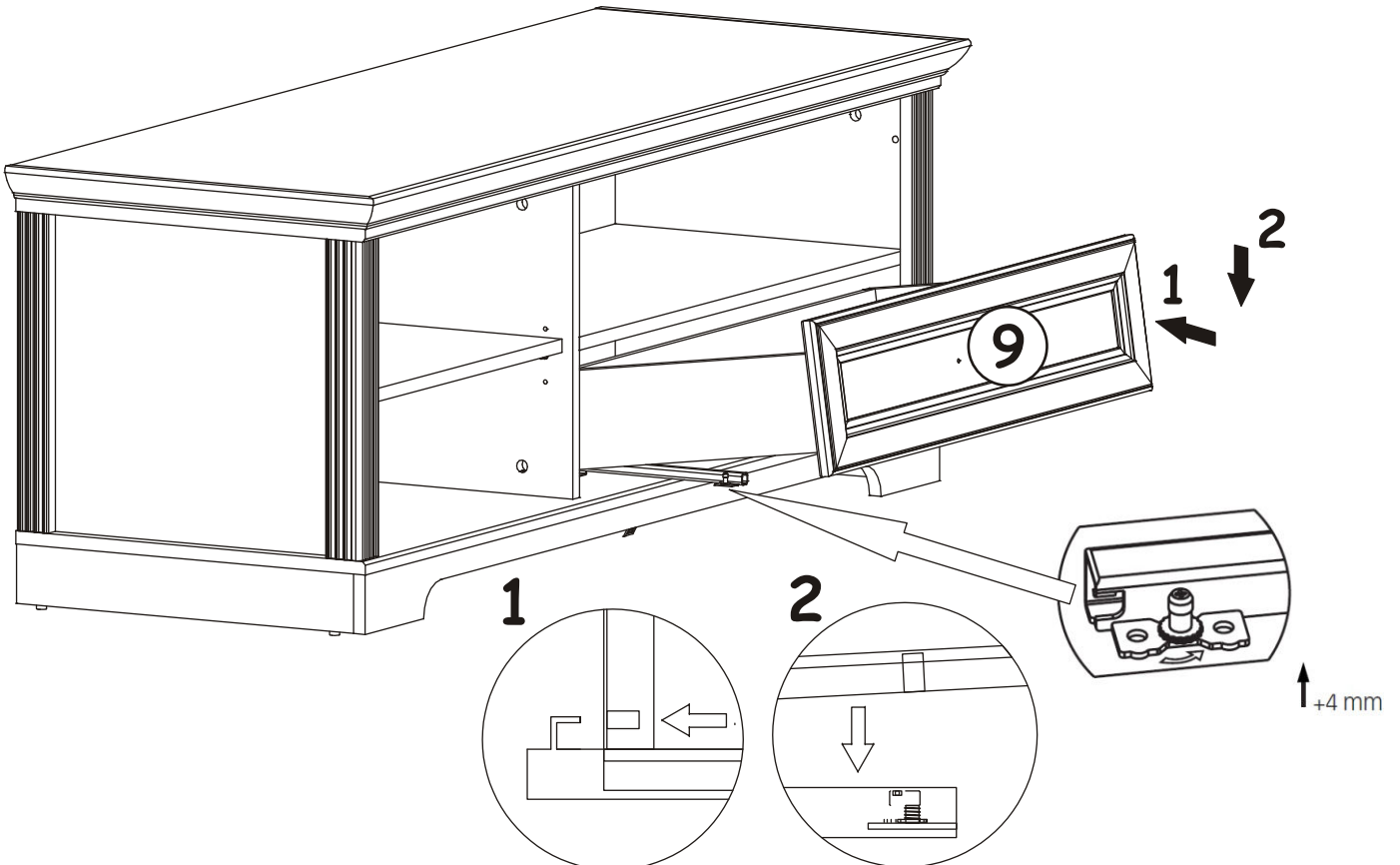




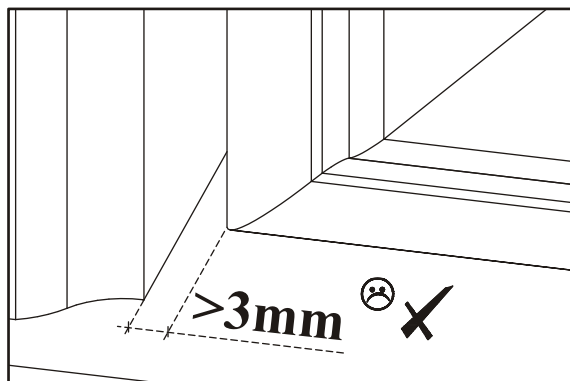
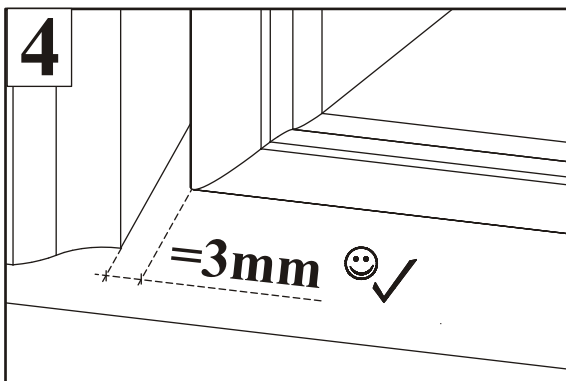
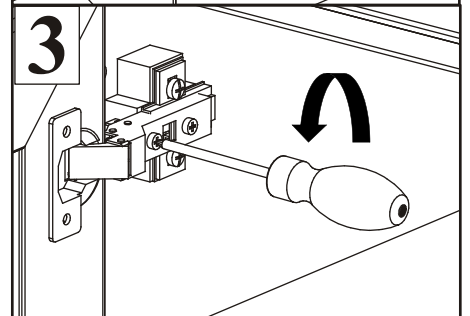
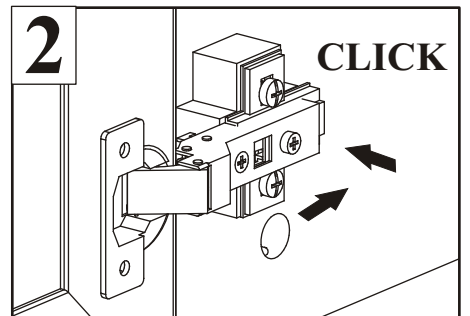
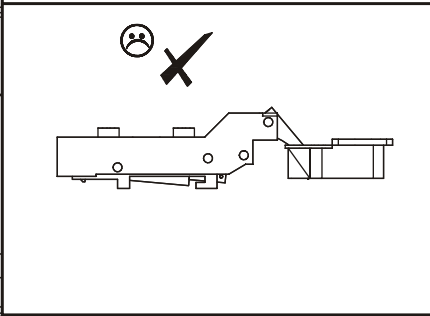
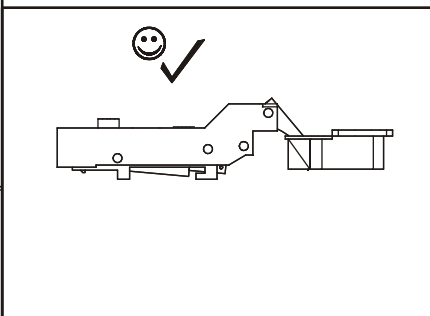
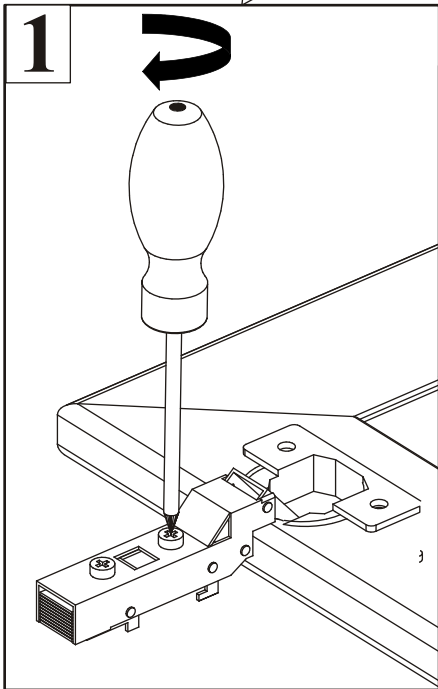
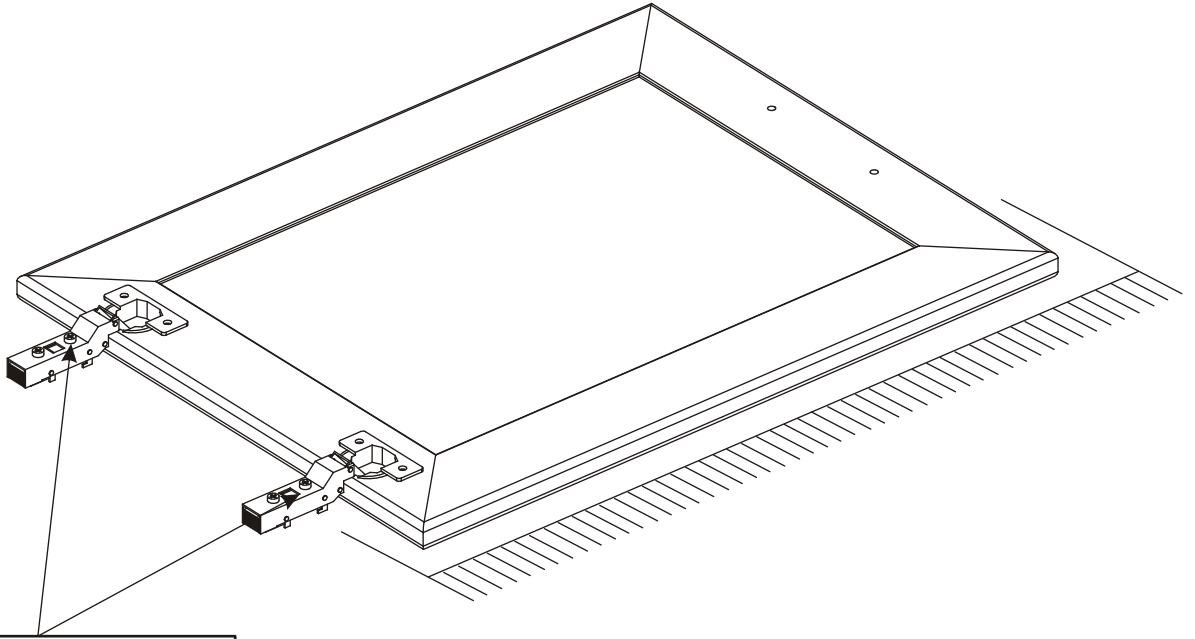
18



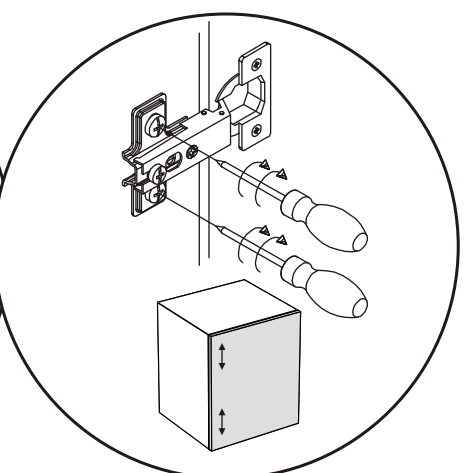
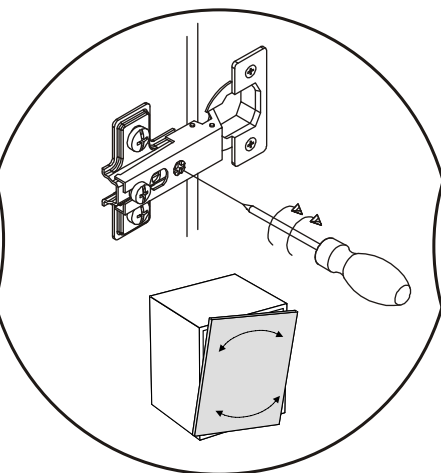
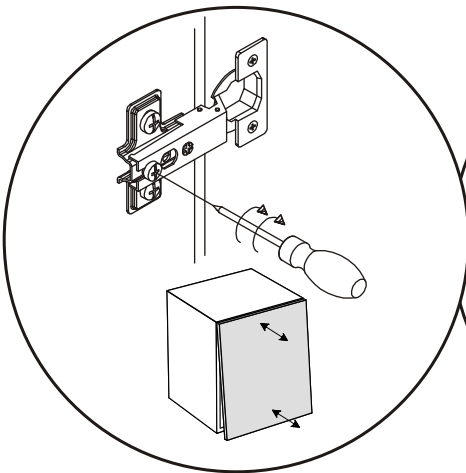
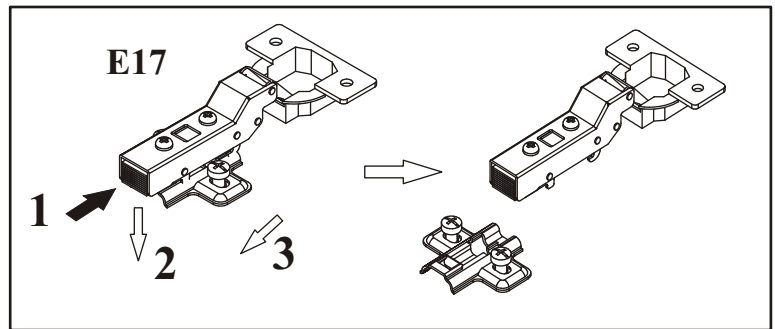
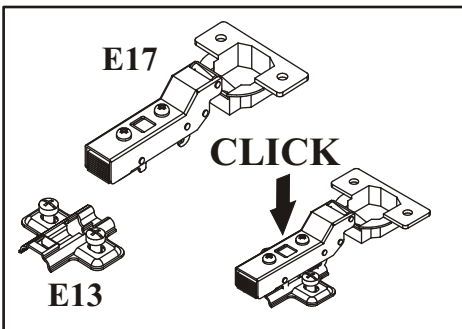
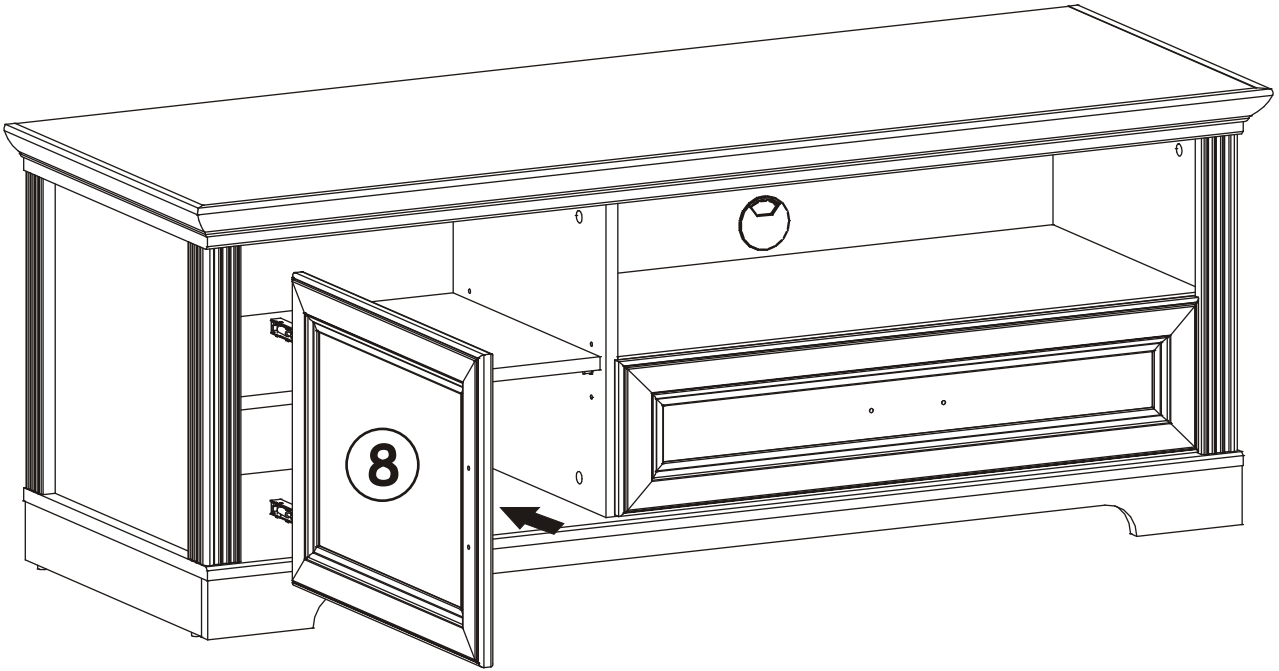
19



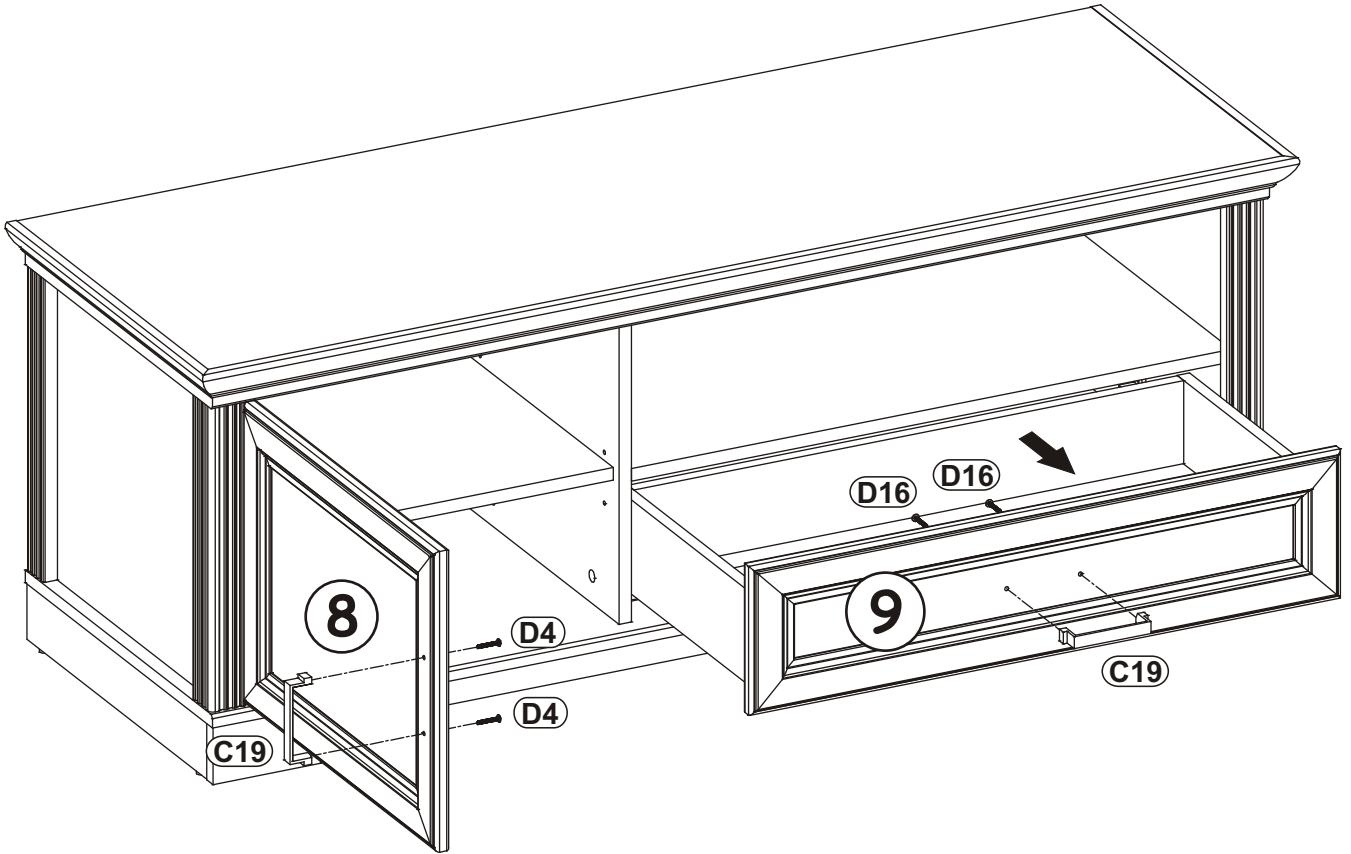
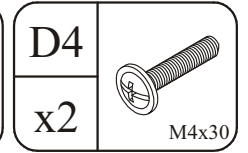
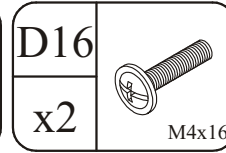
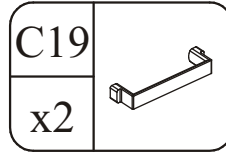
20



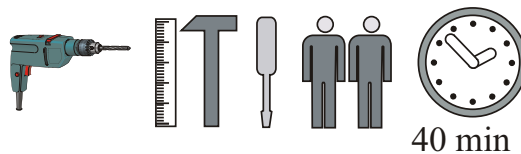
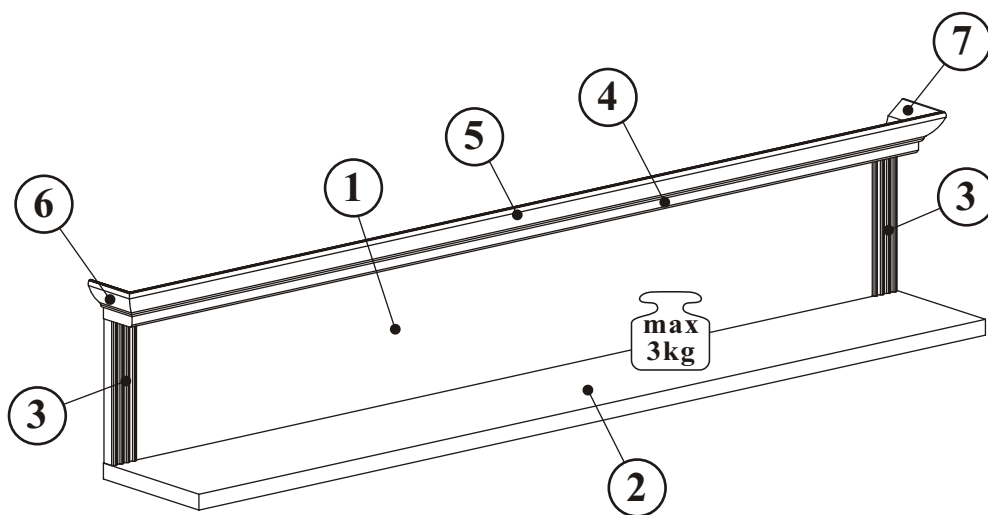
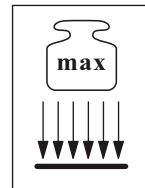
21







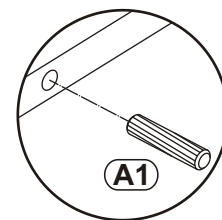
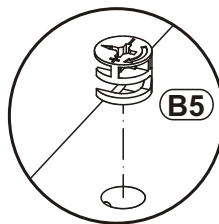
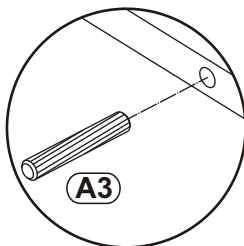
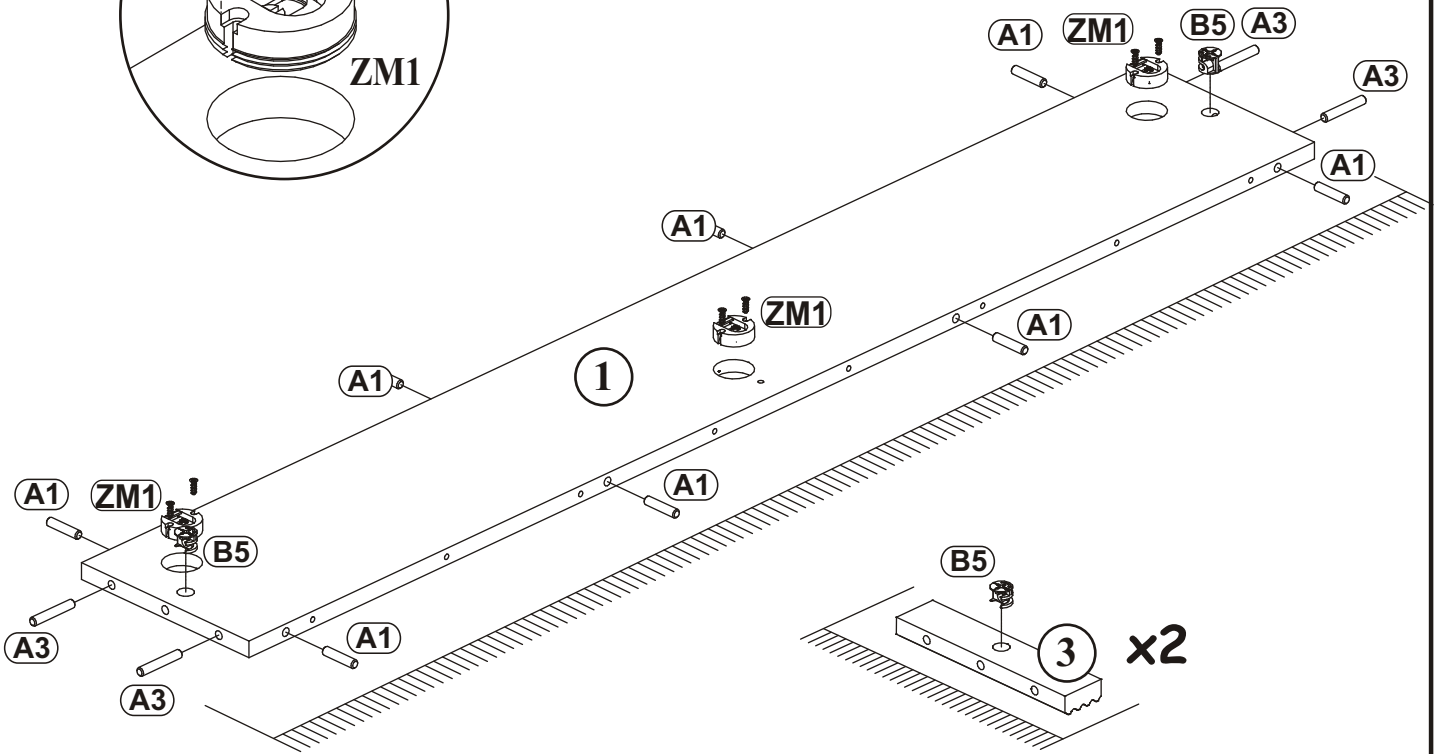
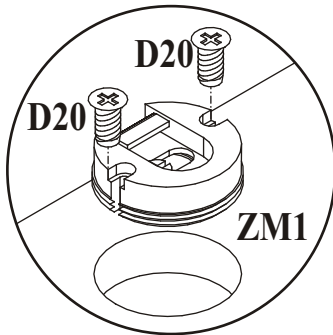
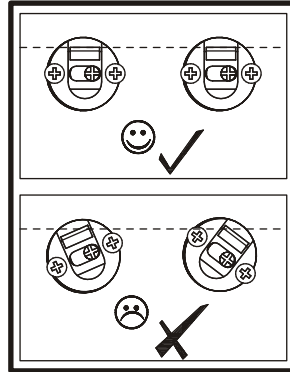
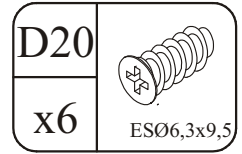
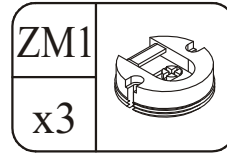
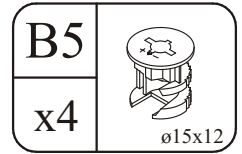
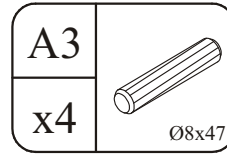
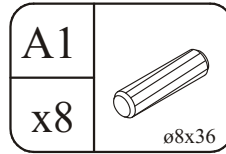
# JASMIN 10G9\_40



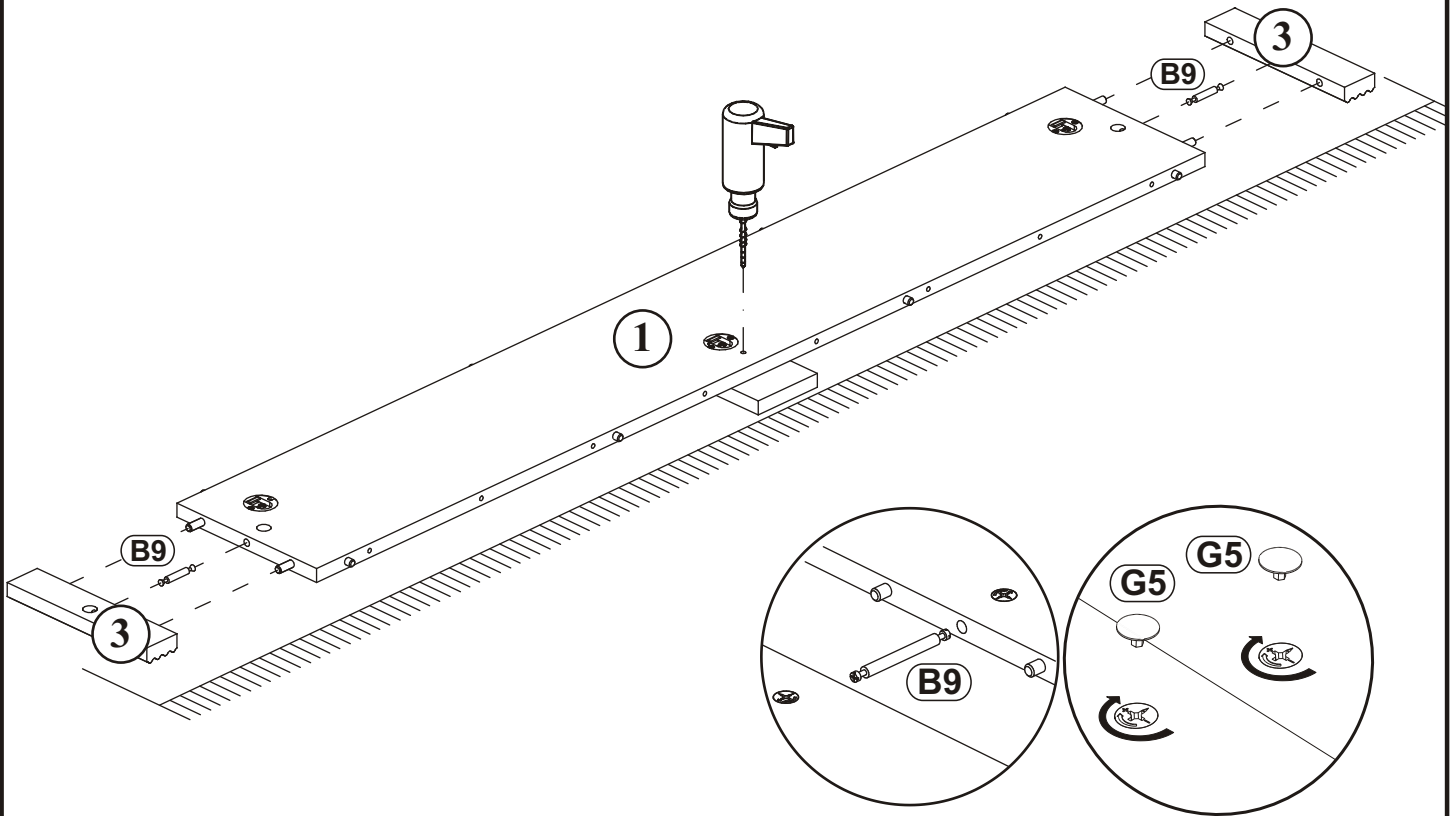
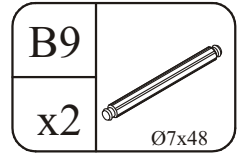
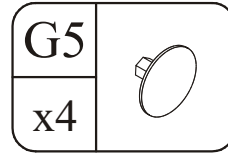
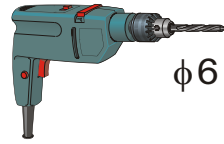
NO	Dim.			Col.-No	Qty
1	1272	200	16	1	1
2	1360	200	22	1	1
3	200	43	19	1	2
4	1360	60	16	1	1
5	1413	67	22	1	1
6	86	67	22	1	1
7	86	67	22	1	1



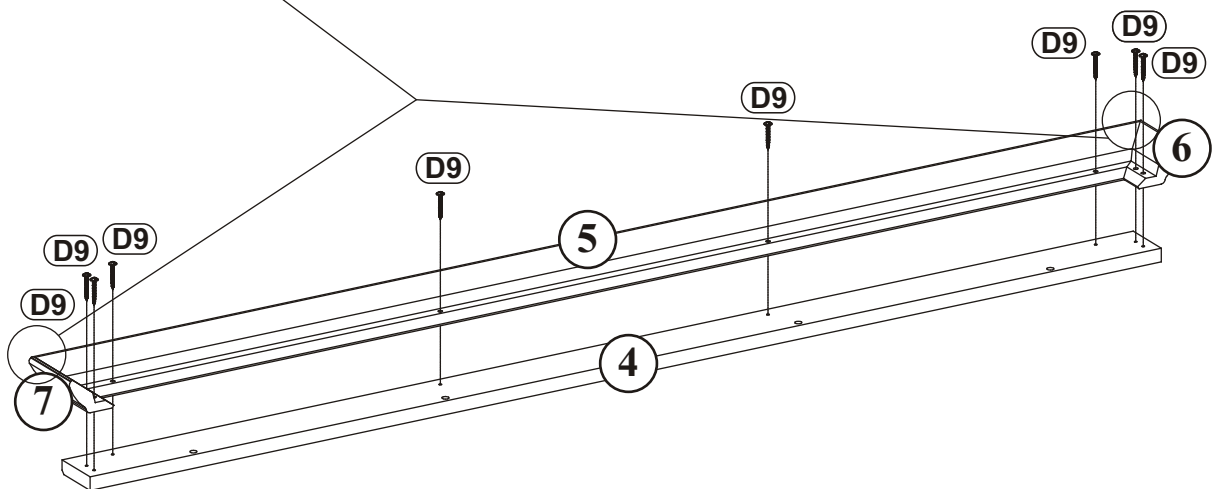
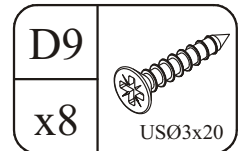
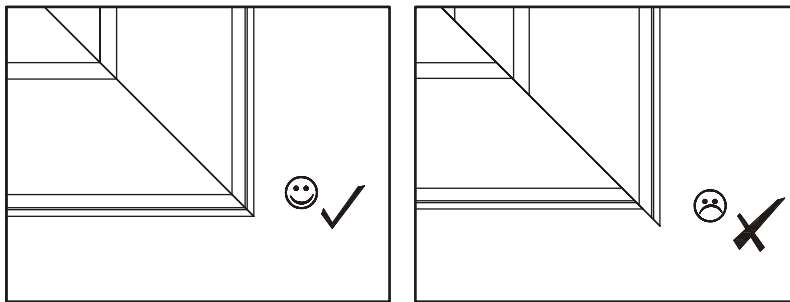
1




2




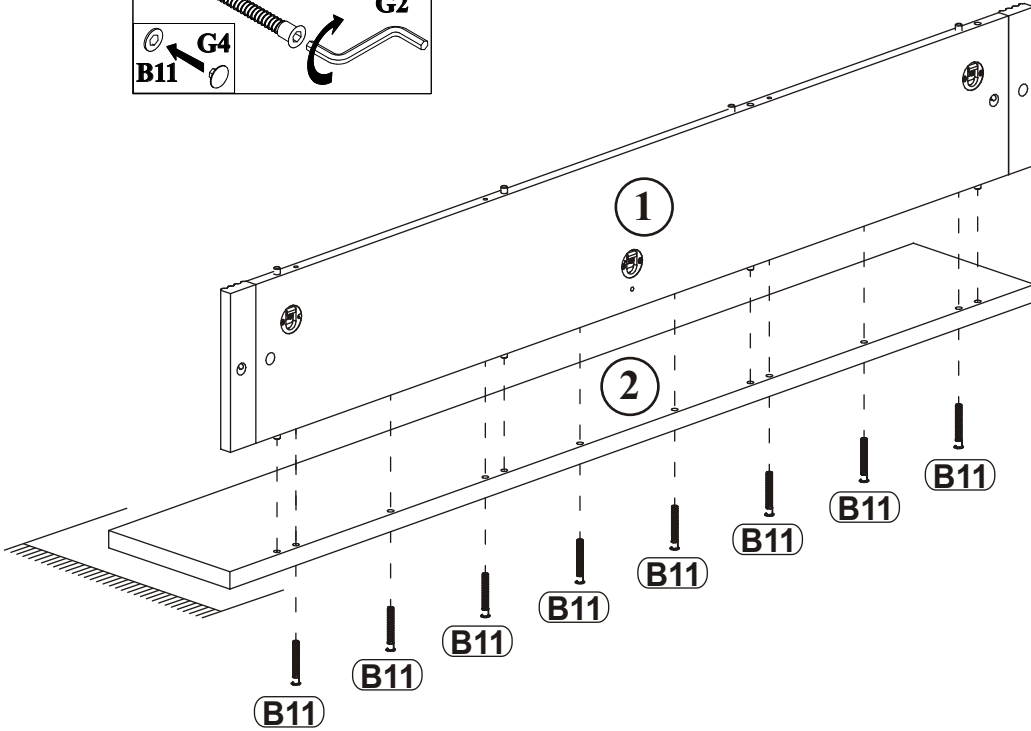
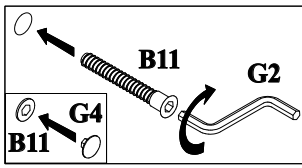
3



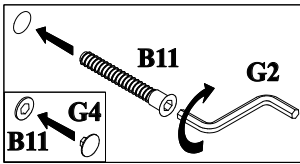
4


B11	
x8	Ø7x50


G4	
x8	

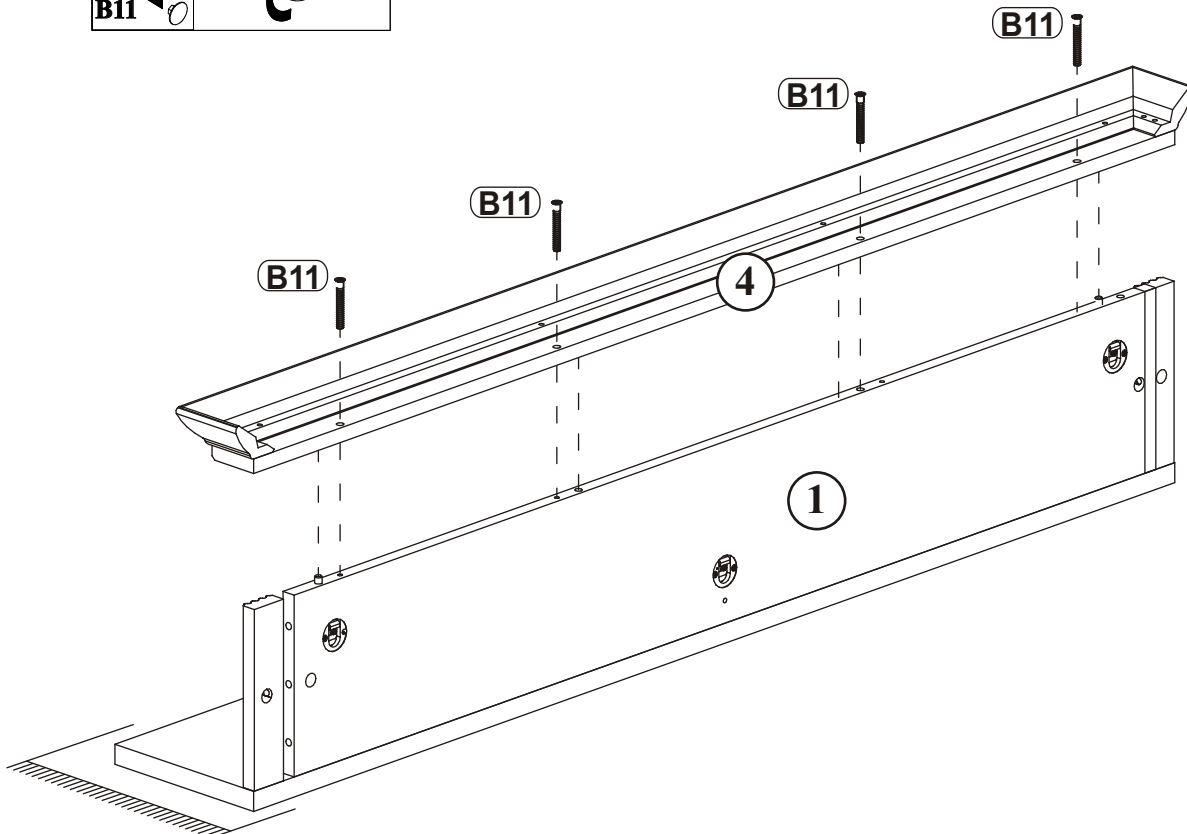


5



B11	
x4	Ø7x50

G4	
x4	



6

