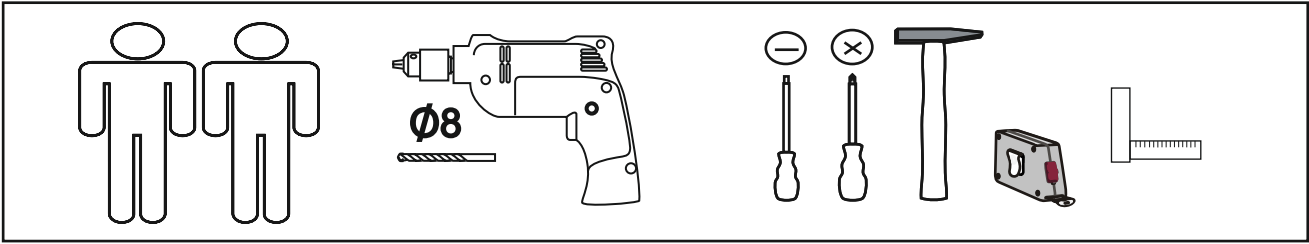
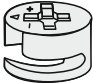
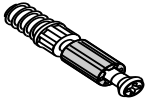
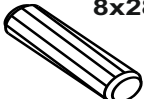









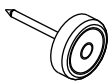




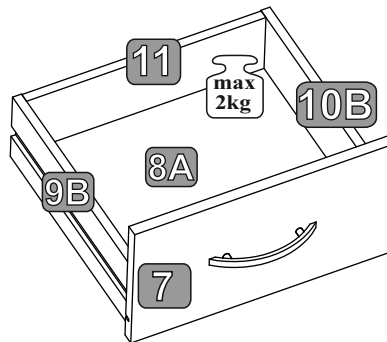
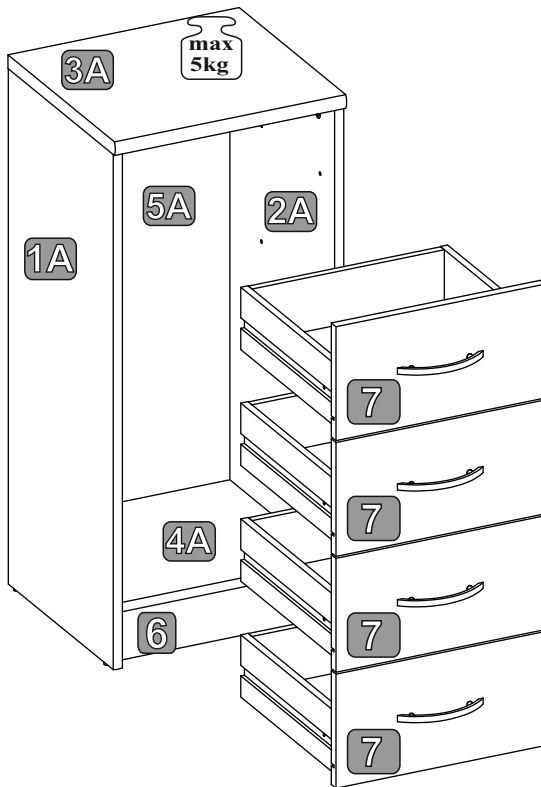
Optimus 10

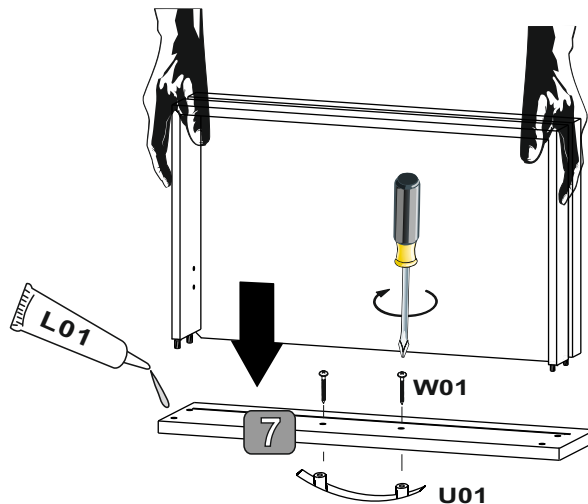
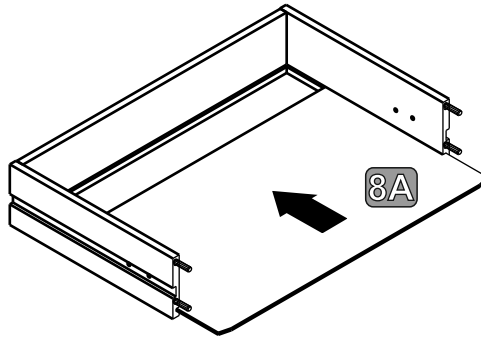
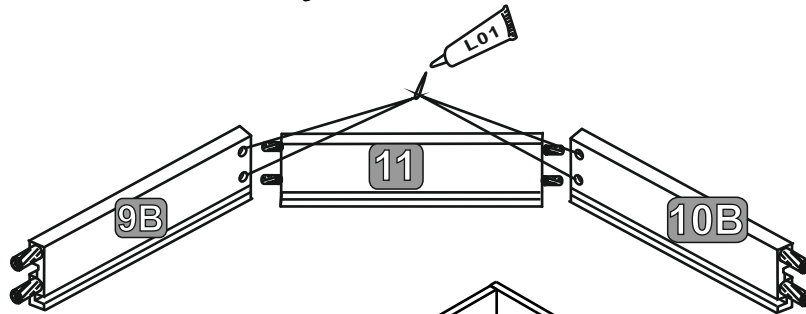
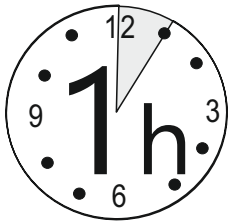
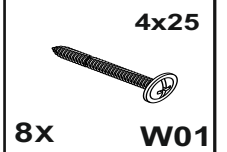
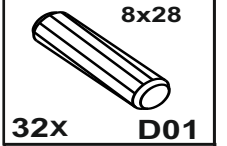
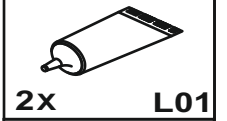
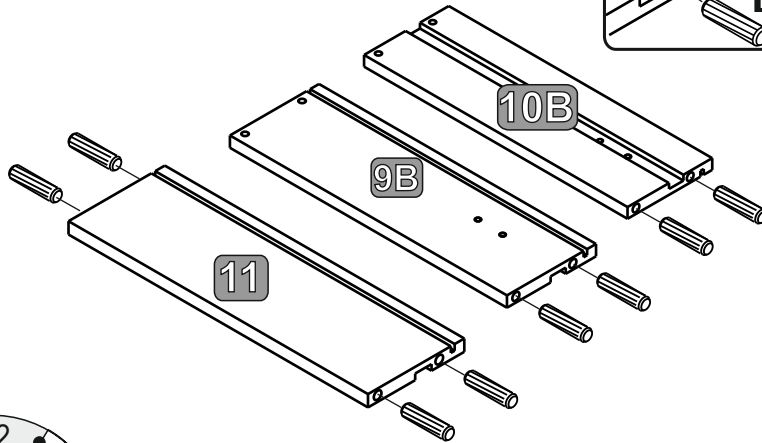
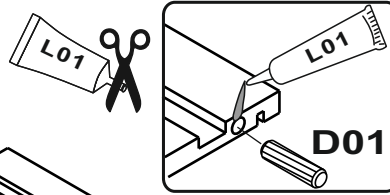
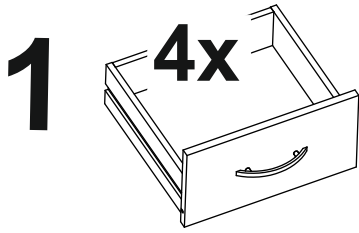
38000__N / 38000__F



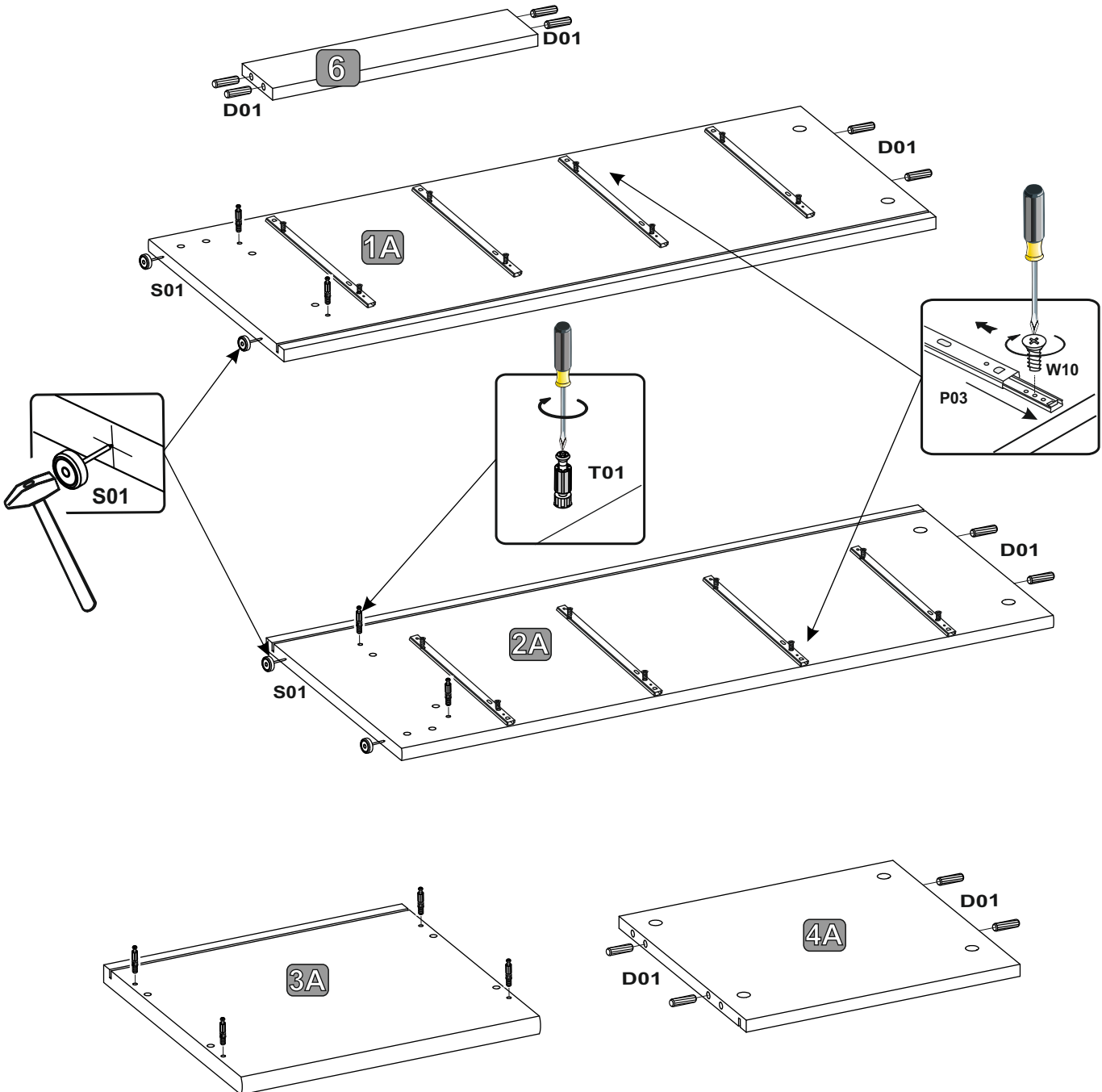
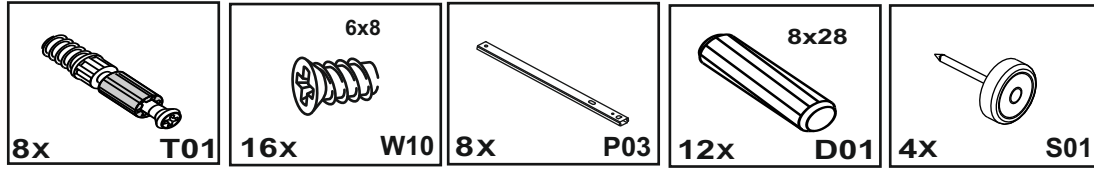
 8x T02	 8x T01	 44x D01	 1x F01	 1x F11	 6x R01
 4x U01	 8x W01	 8x P03	 16x W10	 2x L01	
 8x X02	 4x S01	 1x P01	 2x W07		

NR	DIM	QTE	COLLI
1A	828x345x15	1	1/1
2A	828x345x15	1	1/1
3A	379x352x22	1	1/1
4A	348x323x15	1	1/1
5A	752x367x2	1	1/1
6	348x80x15	1	1/1
7	342x183x15	4	1/1
8A	326x290x2	4	1/1
9B	290x100x12	4	1/1
10B	290x100x12	4	1/1
11	315x100x12	4	1/1

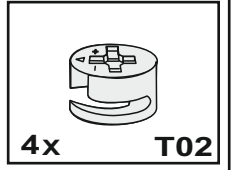
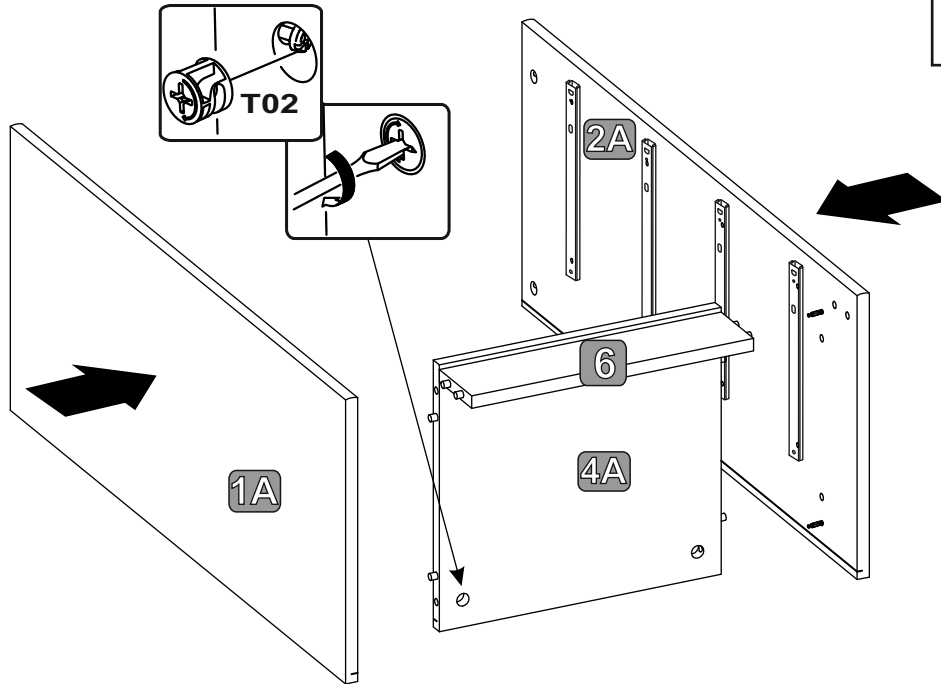




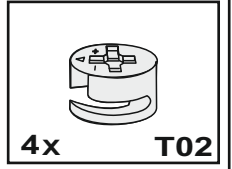
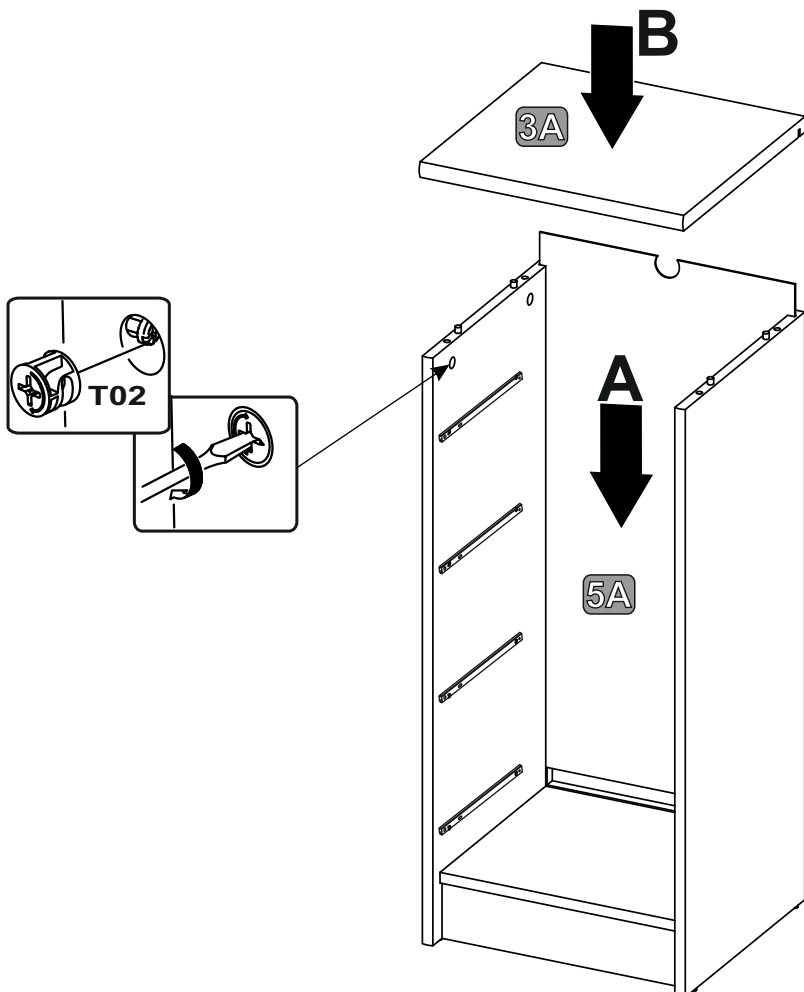
2



3

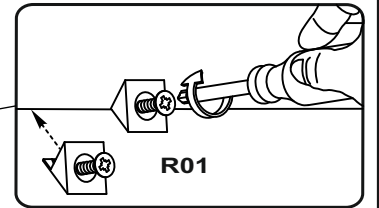
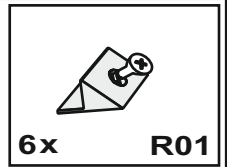
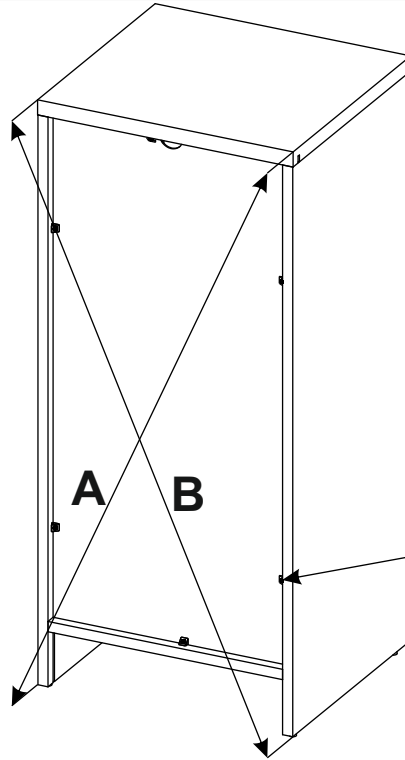


4

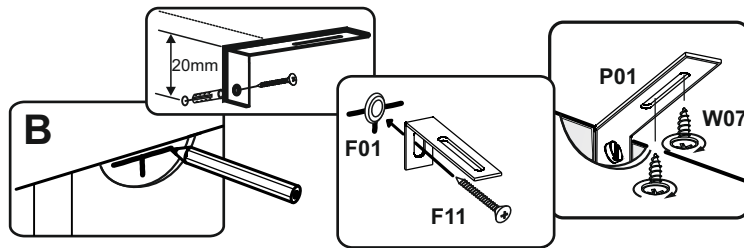


5

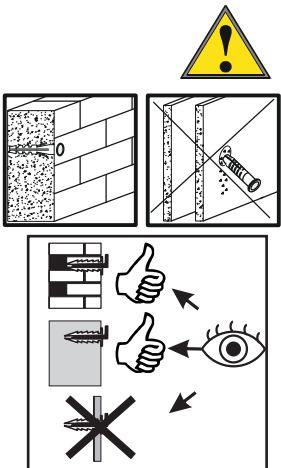
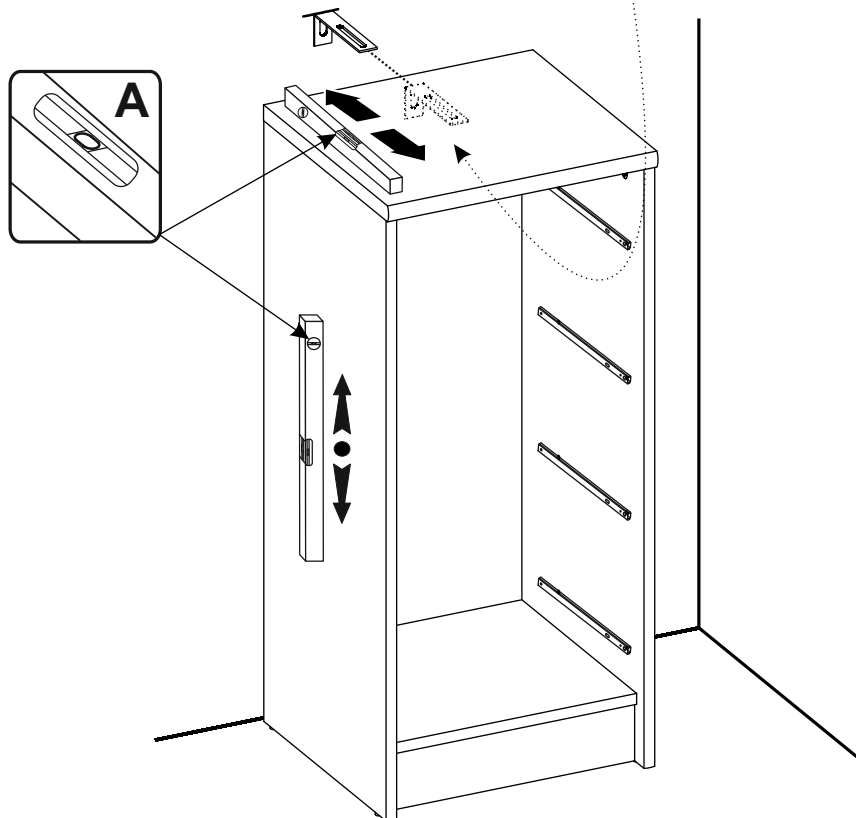
A=B



6



- 1x F01
- 1x F11
- 1x P01
- 2x W07



7

