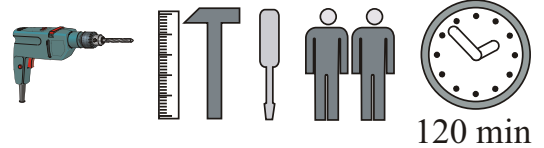
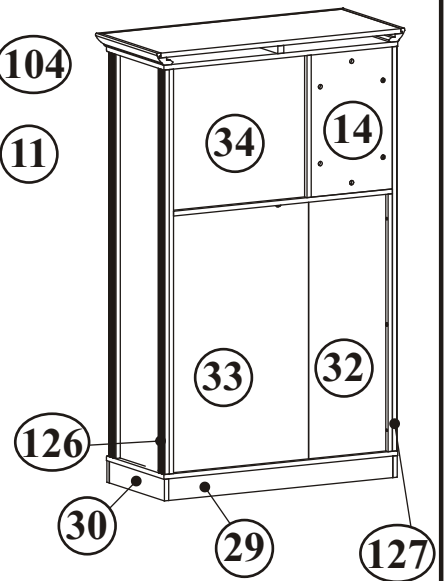
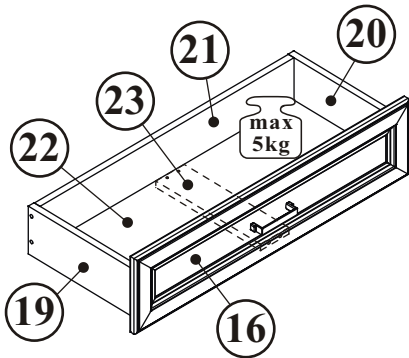
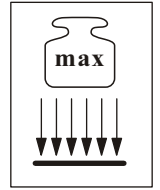
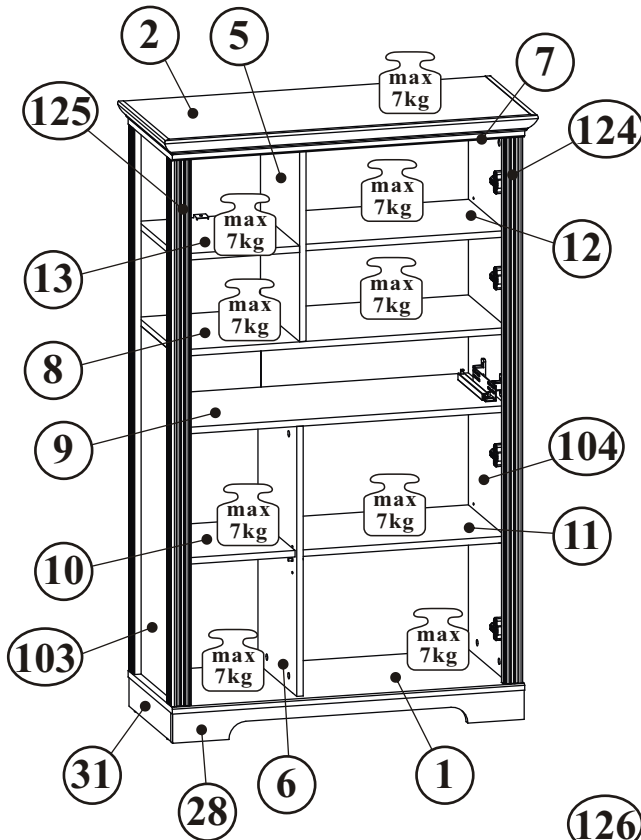
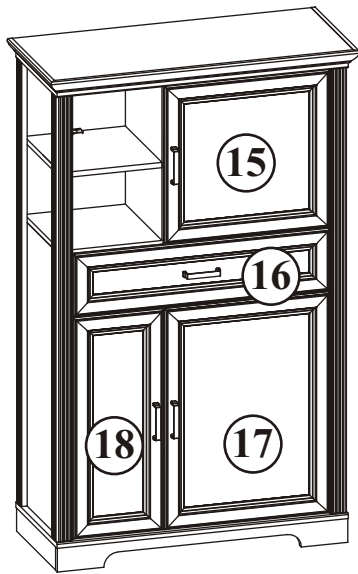
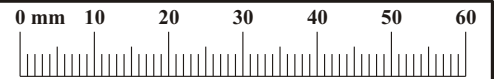


JASMIN 10G9_06

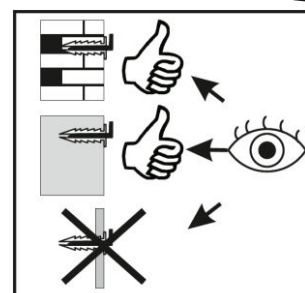
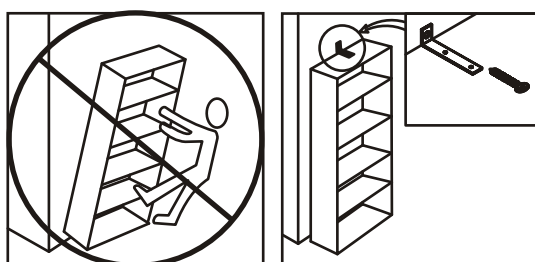
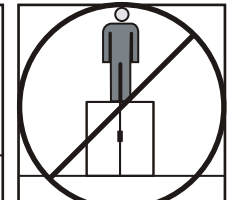
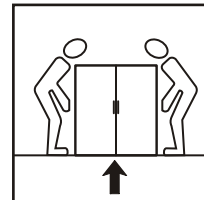
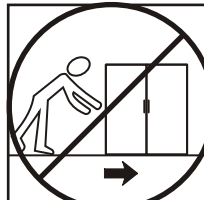
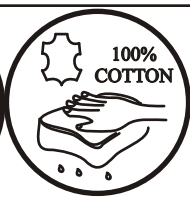
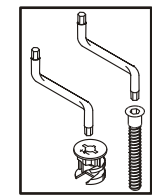
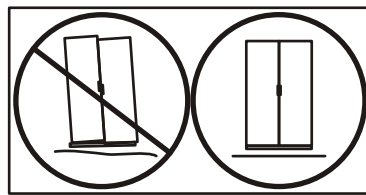
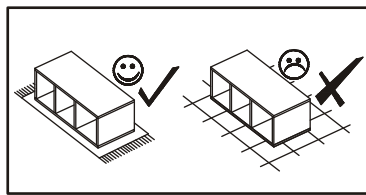
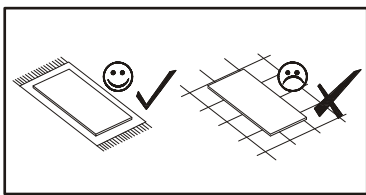
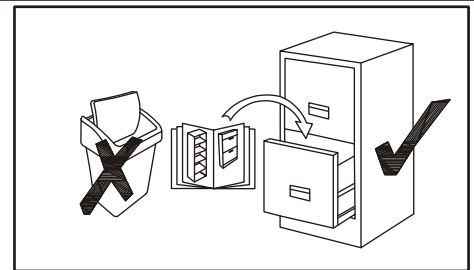
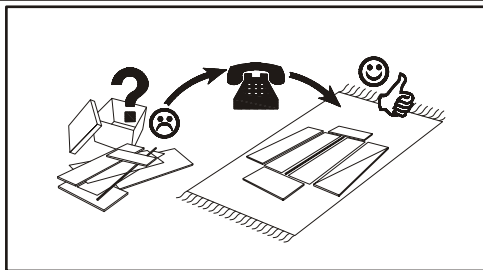
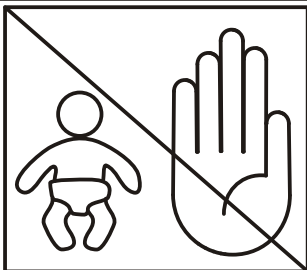


NO	Dim.			Col.-No	Qty
1	876	386	16	2	1
2	929	412	42	2	1
103	857	359	16	1	1
104	1346	359	16	2	1
5	473	359	16	1	1
6	665	339	16	1	1
7	876	386	16	3	1
8	820	359	16	3	1
9	804	339	16	3	1
10	281	324	16	1	1
11	507	324	16	1	1
12	500	324	16	1	1
13	304	342	16	1	1
14	473	304	16	1	1
15	476	496	22	3	1
16	770	188	22	3	1
17	668	496	22	3	1

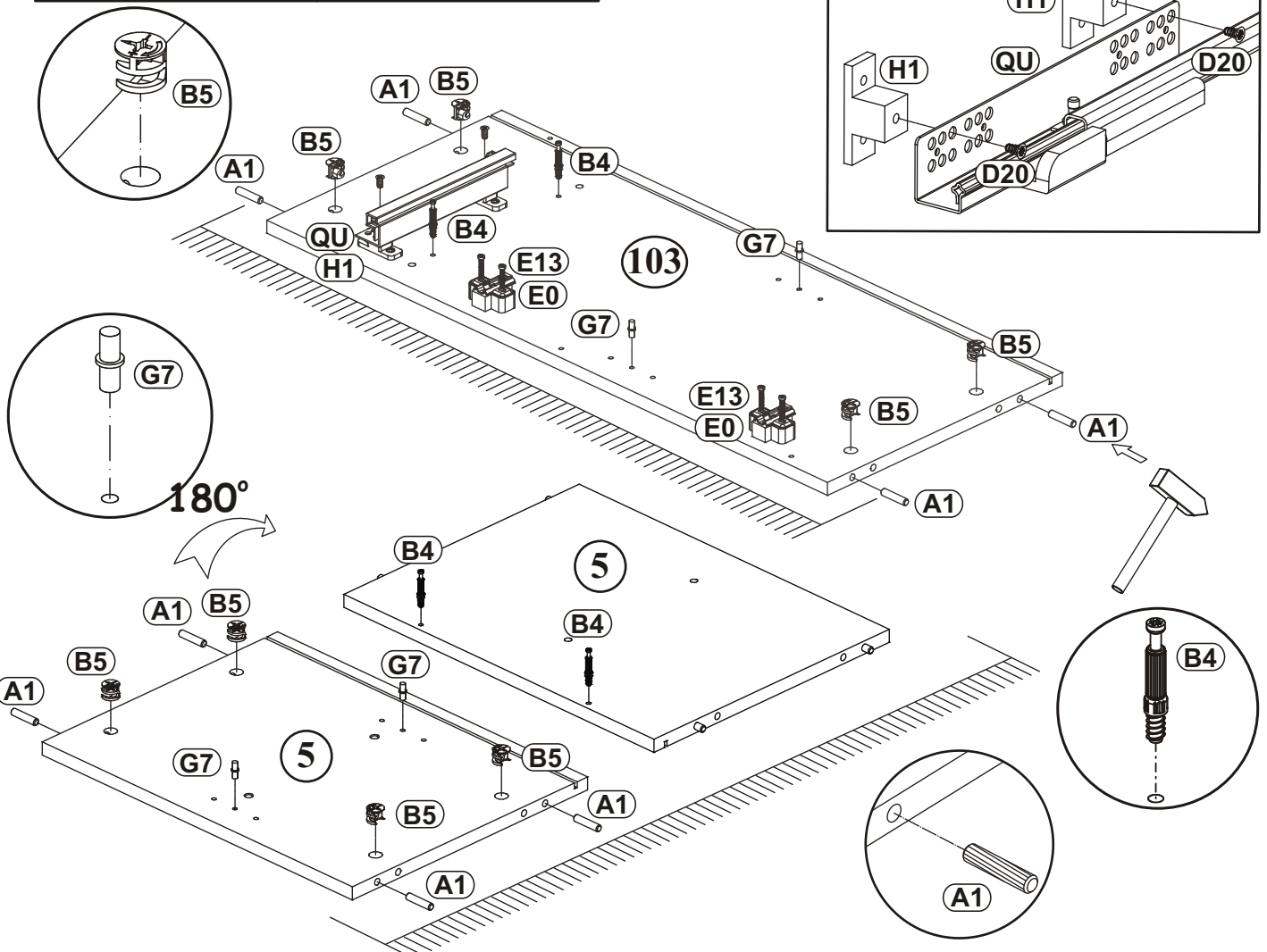
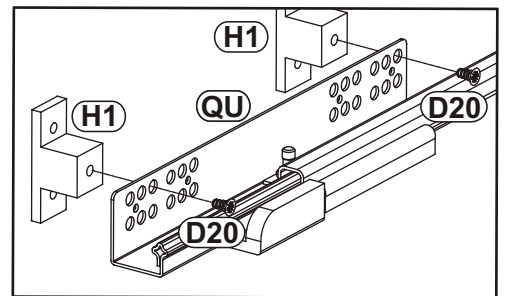
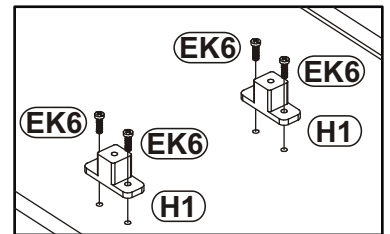
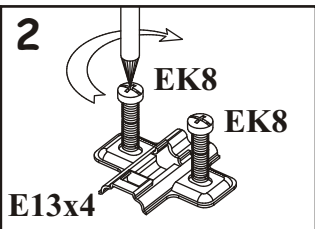
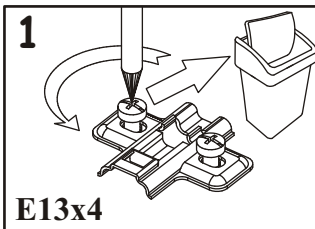
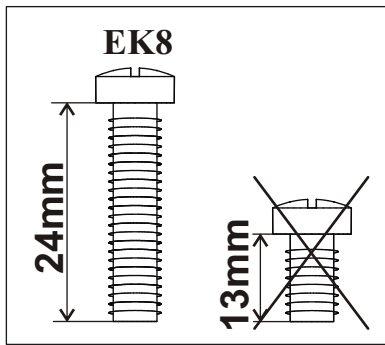
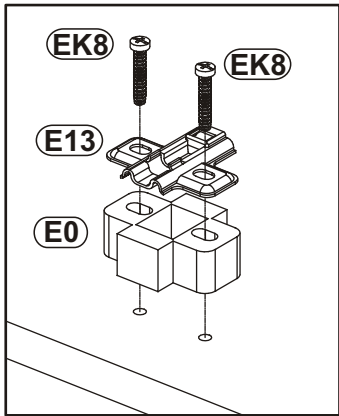
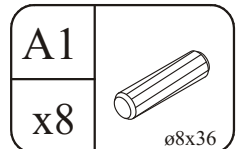
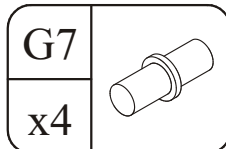
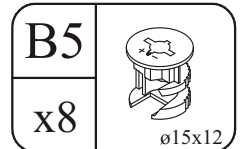
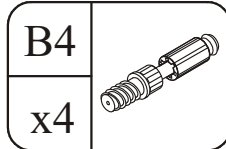
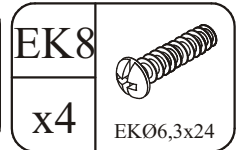
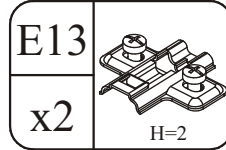
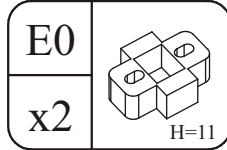
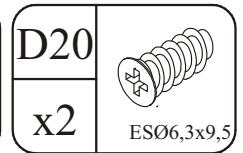
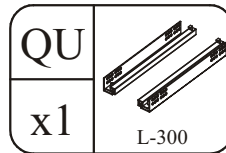
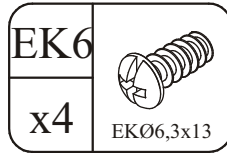
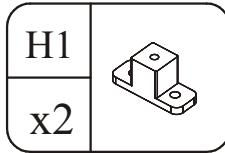
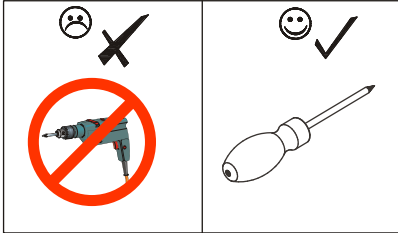
NO	Dim.			Col.-No	Qty
18	668	270	22	3	1
19	300	120	16	1	1
20	300	120	16	1	1
21	714	106	16	1	1
22	304	726	3	1	1
23	299	80	16	1	1
124	1346	49	49	2	1
125	1346	49	49	2	1
126	1346	43	19	2	1
127	1346	43	19	2	1
28	874	72	16	3	1
29	840	72	16	1	1
30	369	72	16	1	1
31	369	72	16	1	1
32	867	294	3	3	1
33	867	521	3	3	1
34	512	483	3	3	1



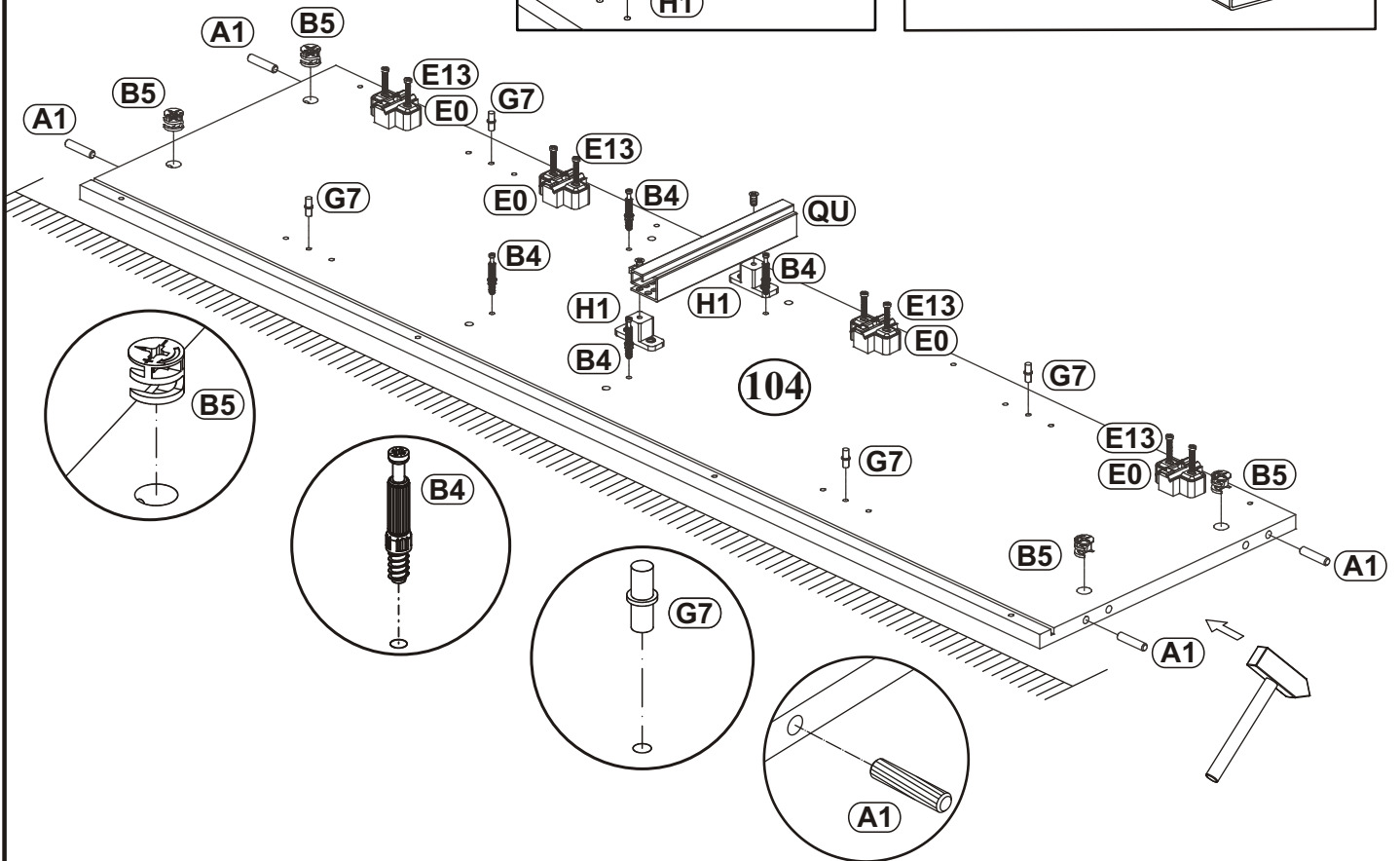
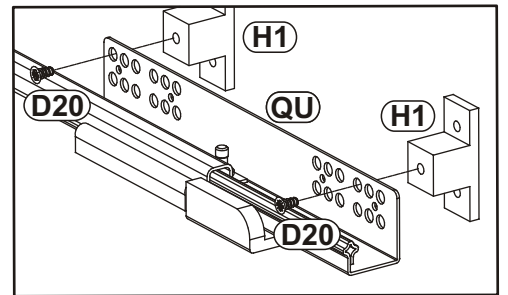
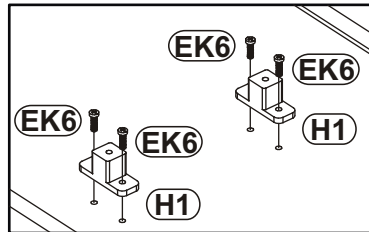
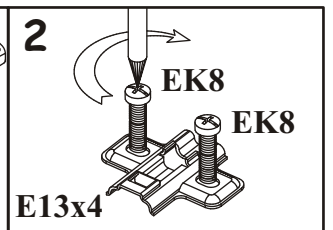
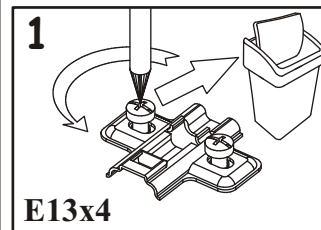
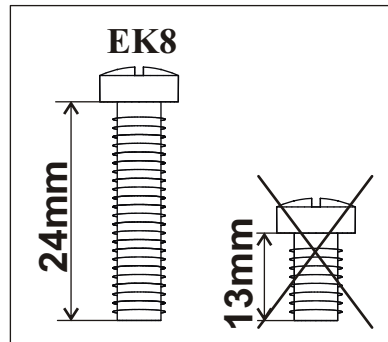
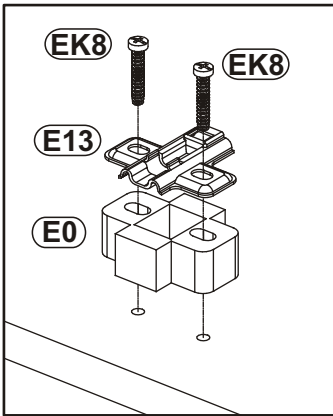
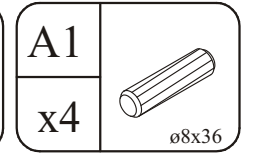
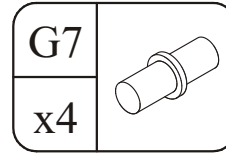
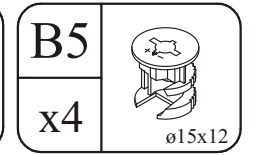
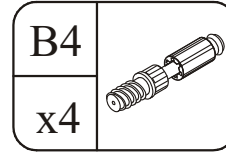
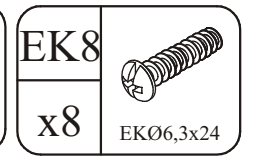
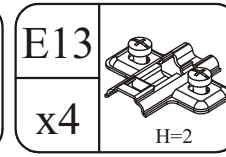
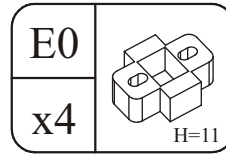
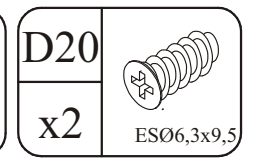
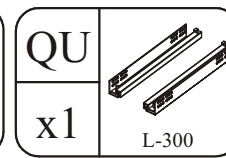
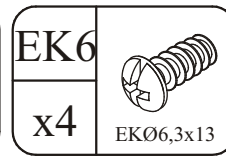
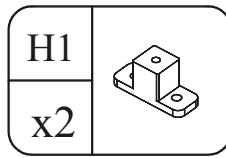
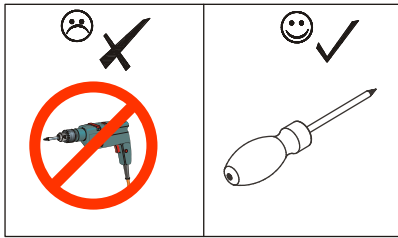
A1 x41 ø8x36	B4 x41	B5 x41 ø15x12	G5 x41	G7 x12	G2 x1
S1 x22	E17 x6 H=16	E13 x6 H=2	UP6 x2 UPØ4x30	L1 x1	KR1 x1
EK8 x12 EKØ6,3x24	D10 x16 USØ3,5x13	UP13 x10 UPØ3x16	D20 x4 ESØ6,3x9,5	QU x1 L-300	I2 x6
B11 x10 Ø7x50	B14 x7 Ø7x30	G4 x8	KM1 x1	G16 x4	E0 x6 H=11
C19 x4	D34 x2 M4x16	D4 x6 M4x30	OS3 x1	EK6 x8 EKØ6,3x13	H1 x4
UP9 x4 UPØ3,5x16	I9 x1 H-60 mm.	G12 x21 Ø14	D24 x14 USØ4x30		



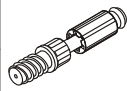
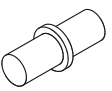
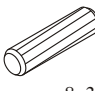

1

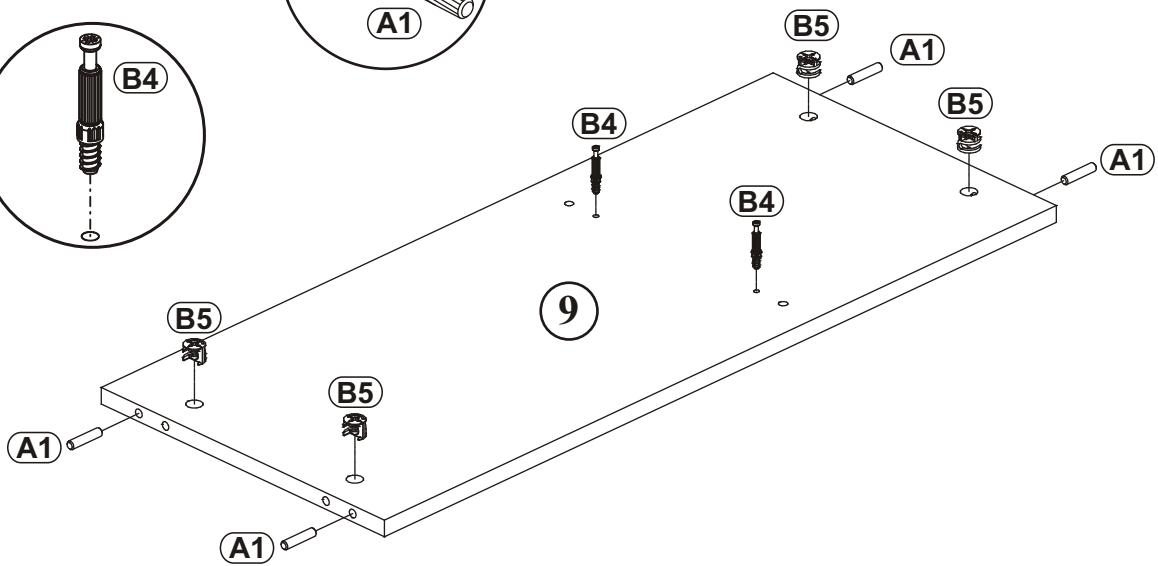
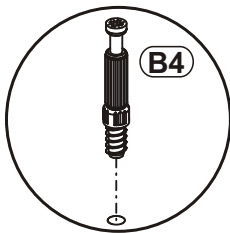
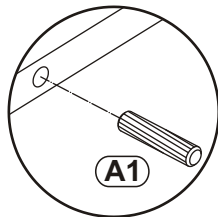
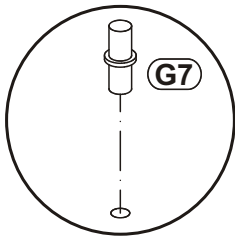
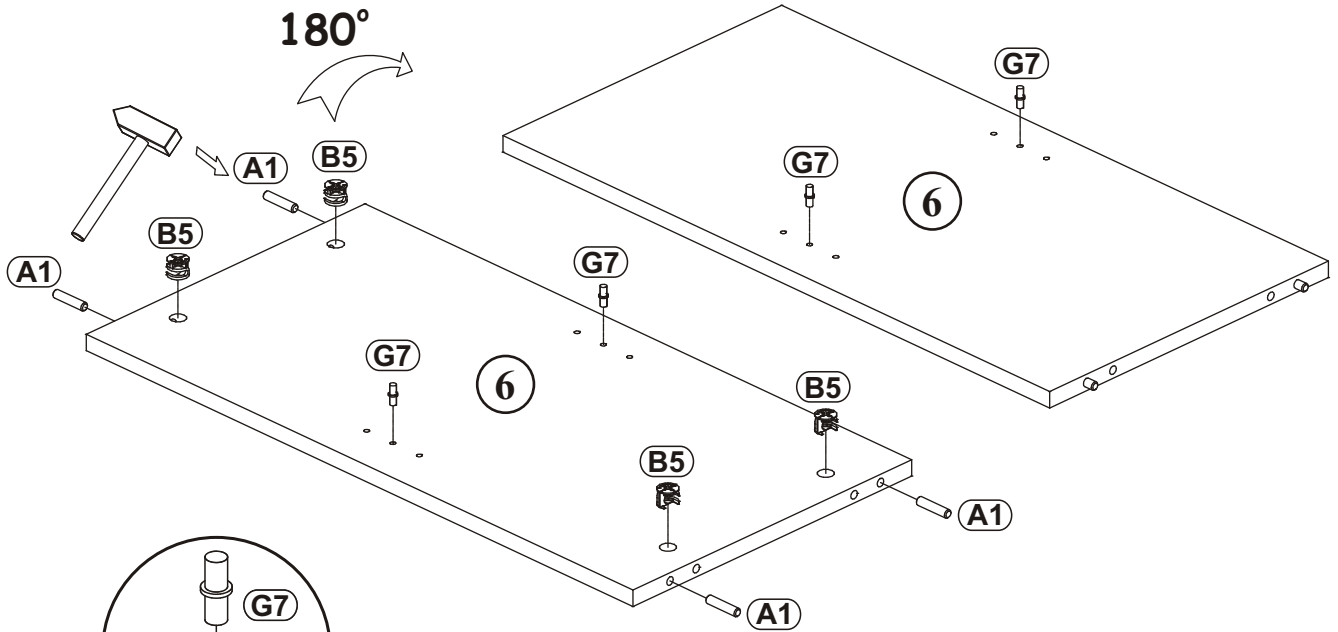
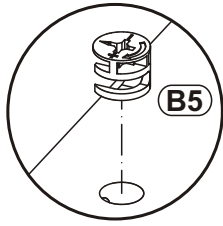


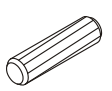
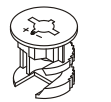
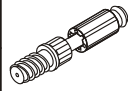
2



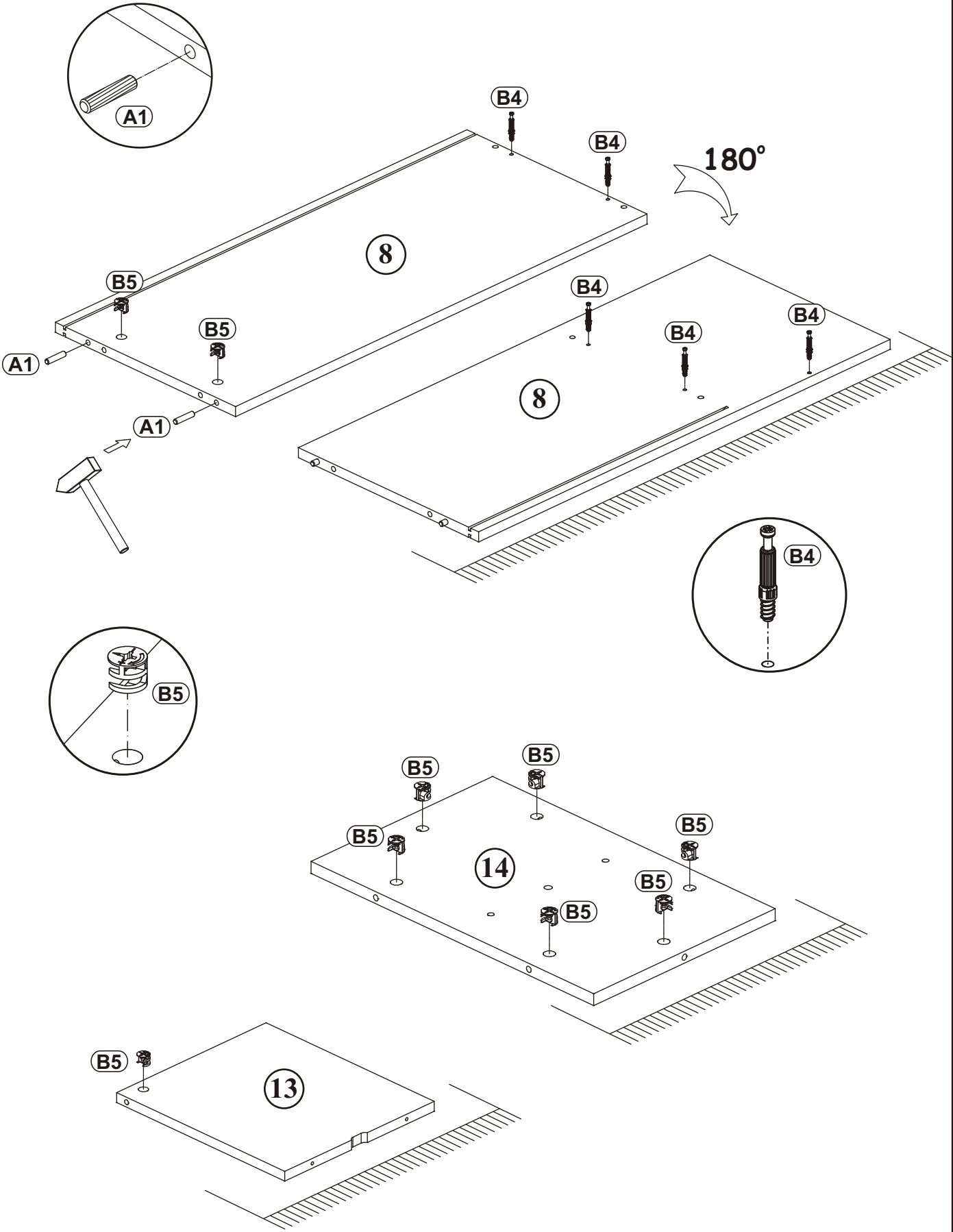
3

B4		G7	
x2		x4	
A1		B5	
x8	ø8x36	x8	ø15x12

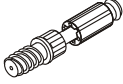


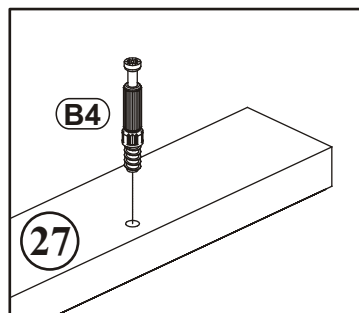
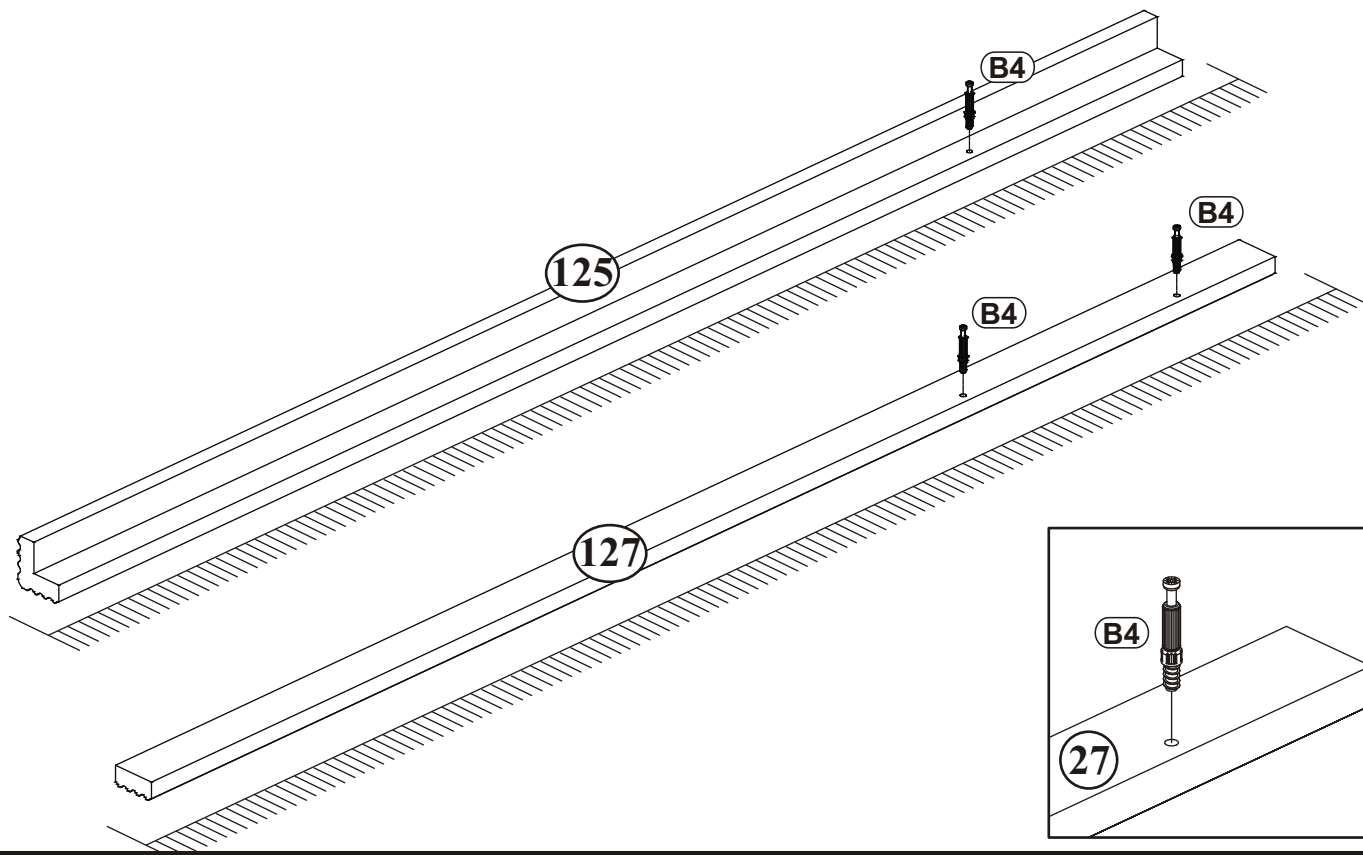
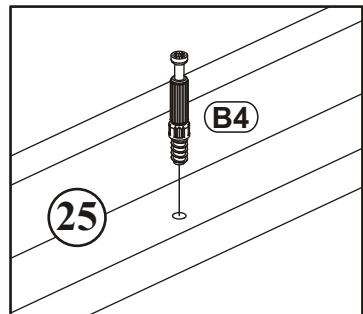
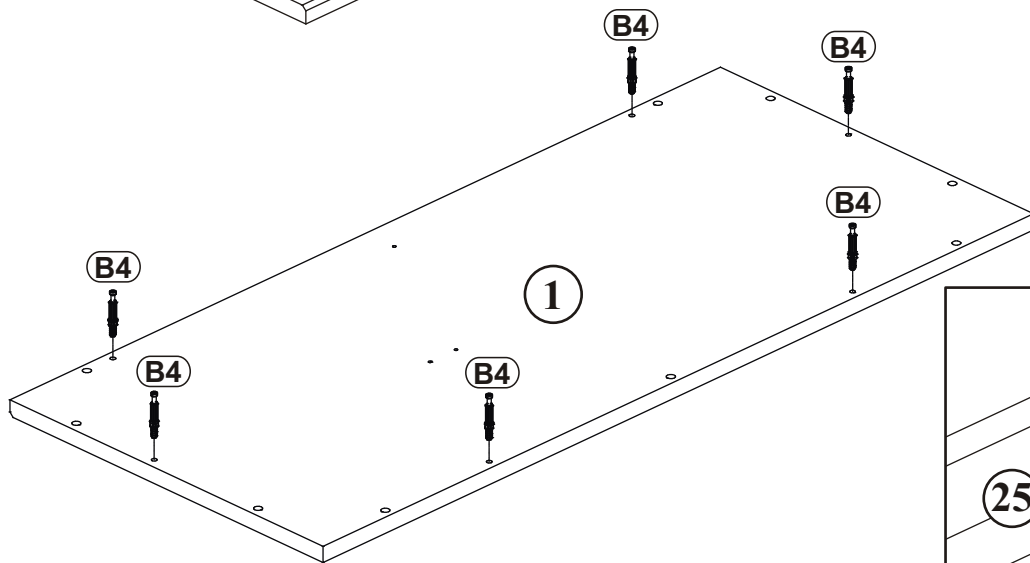
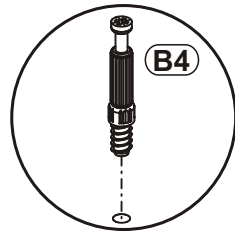
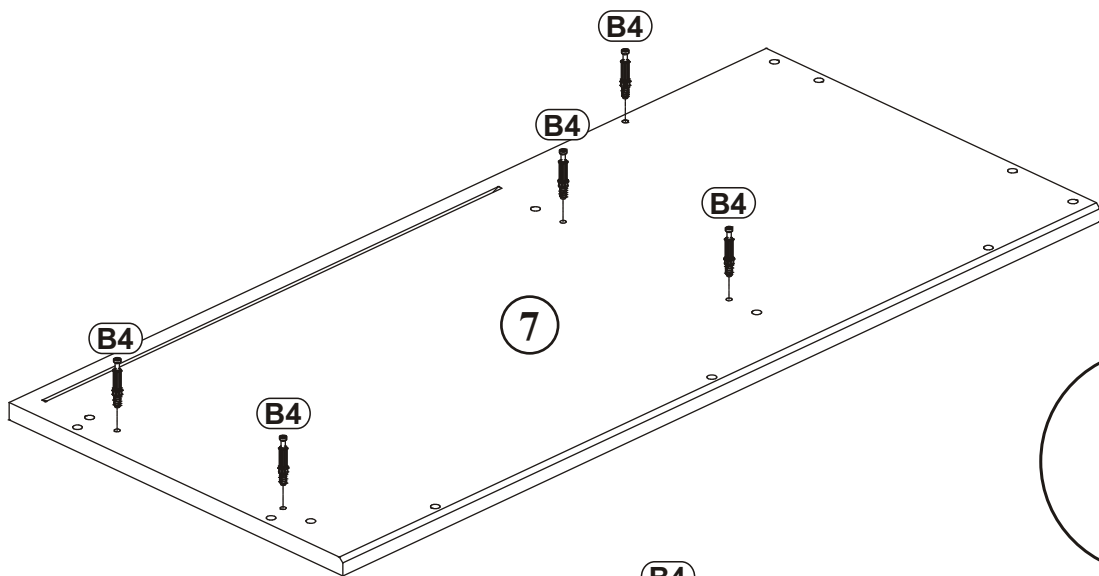
A1		B5		B4	
x2	ø8x36	x9	ø15x12	x5	

4

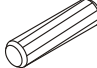

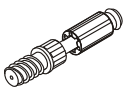


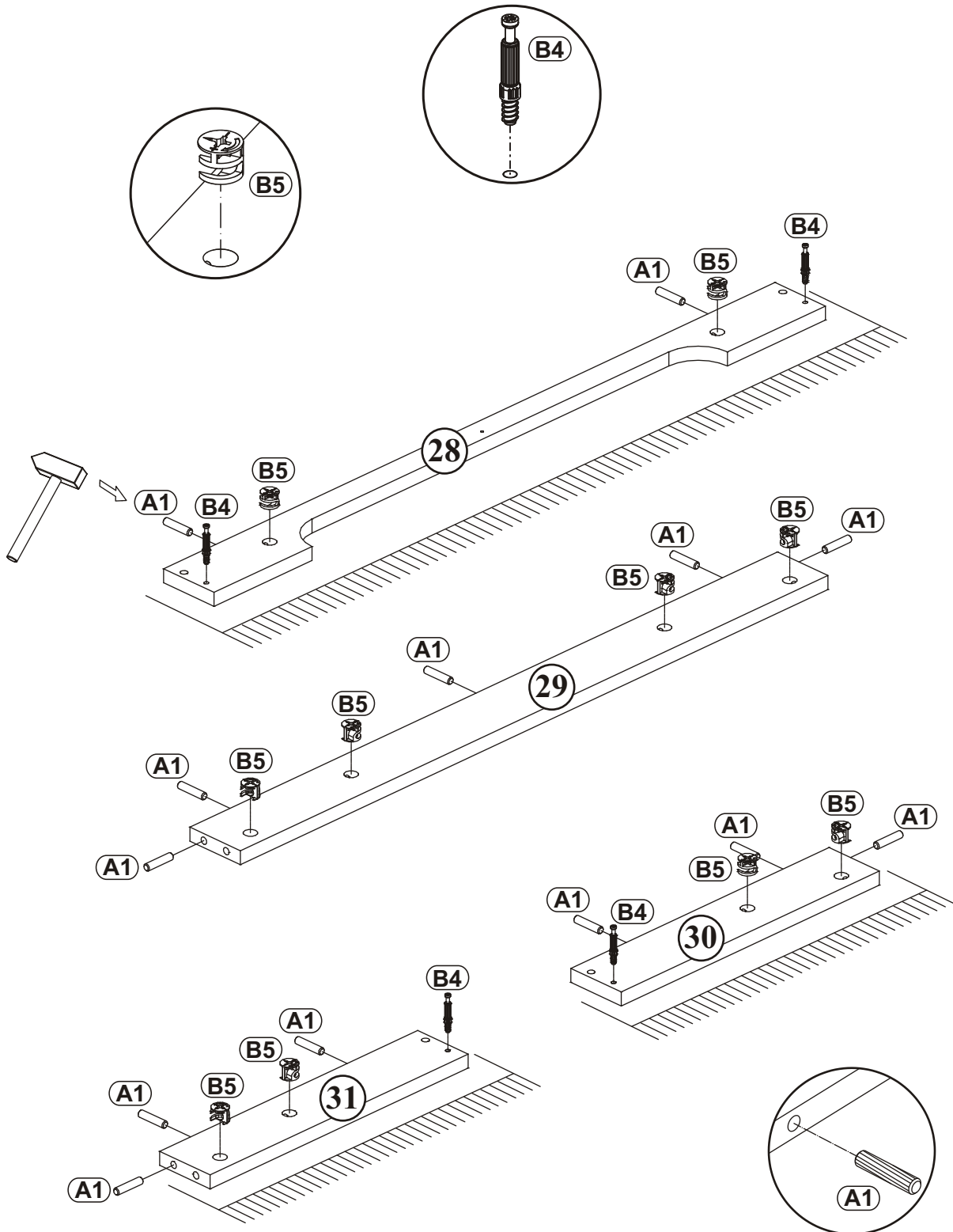
5

B4	
x14	

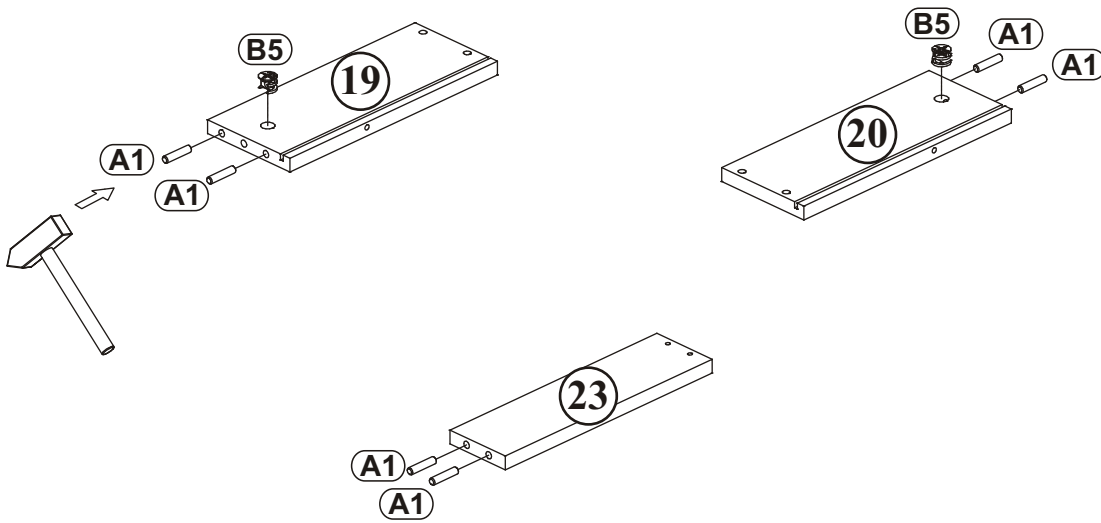
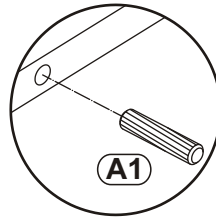
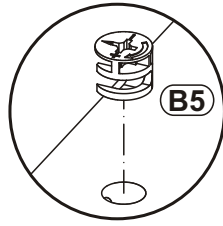
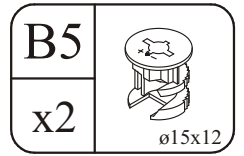
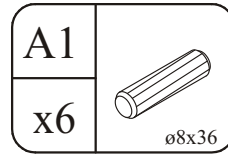


6

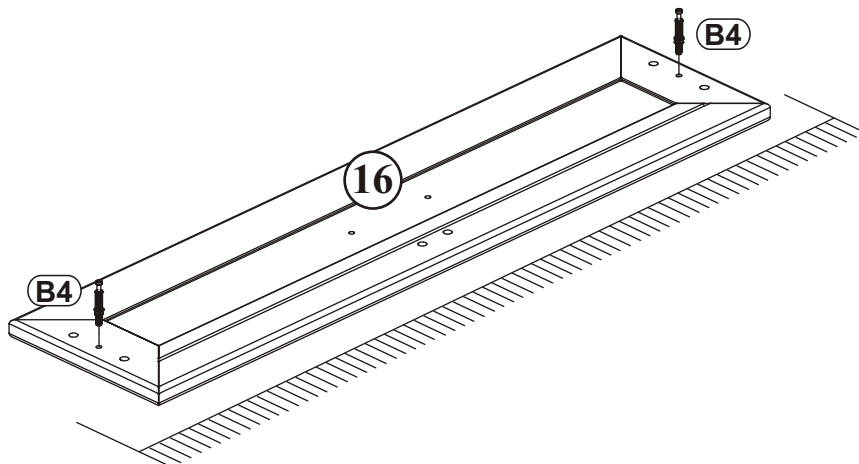
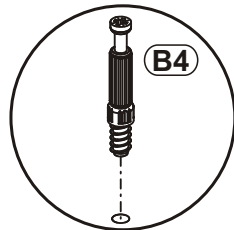
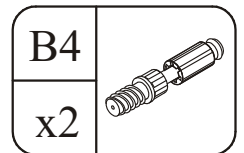
A1		B5		B4	
x13	ø8x36	x10	ø15x12	x4	



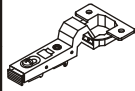
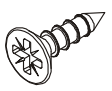
7

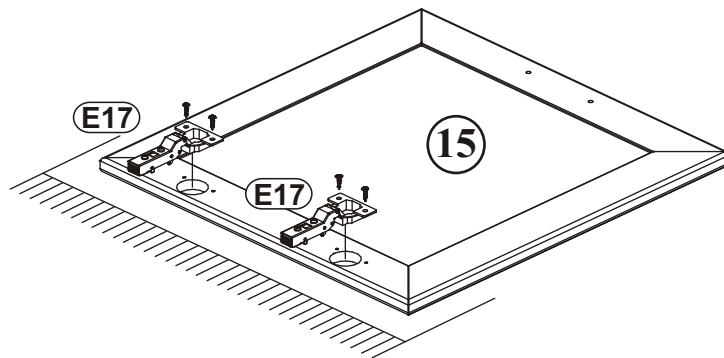
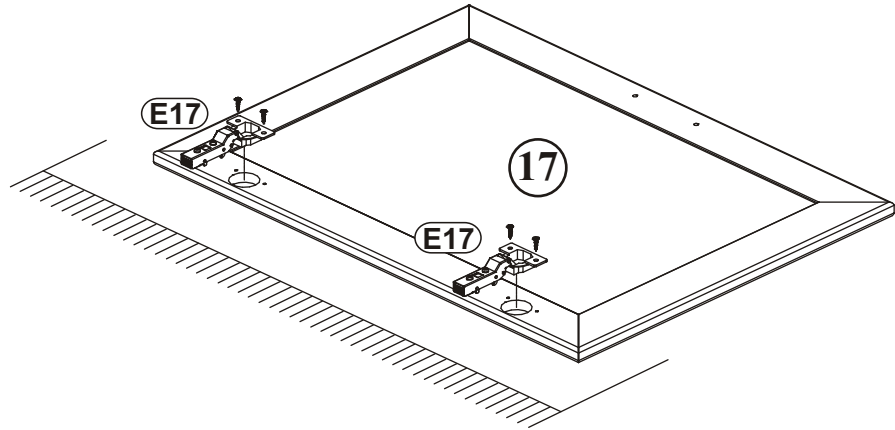
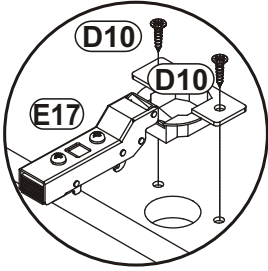
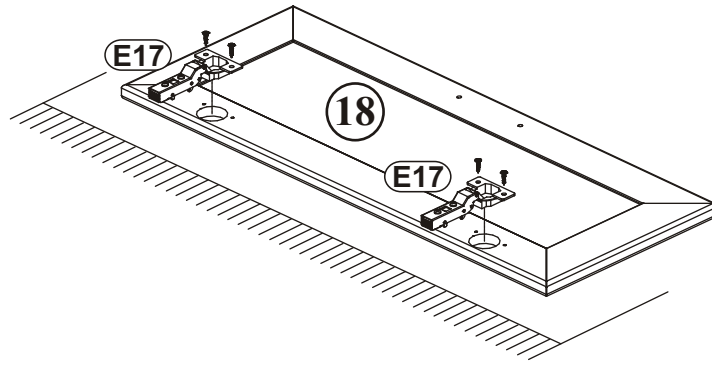


8



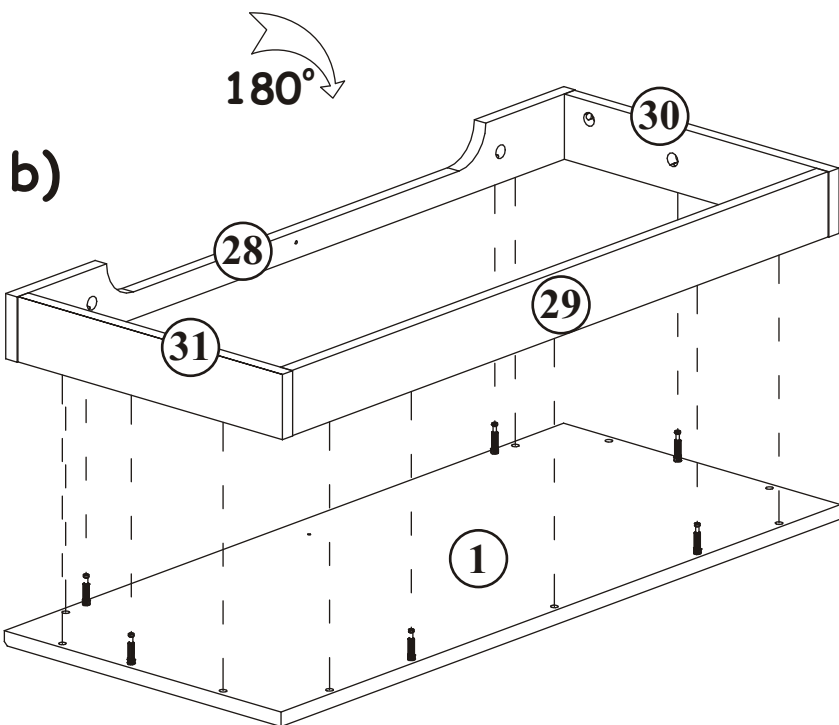
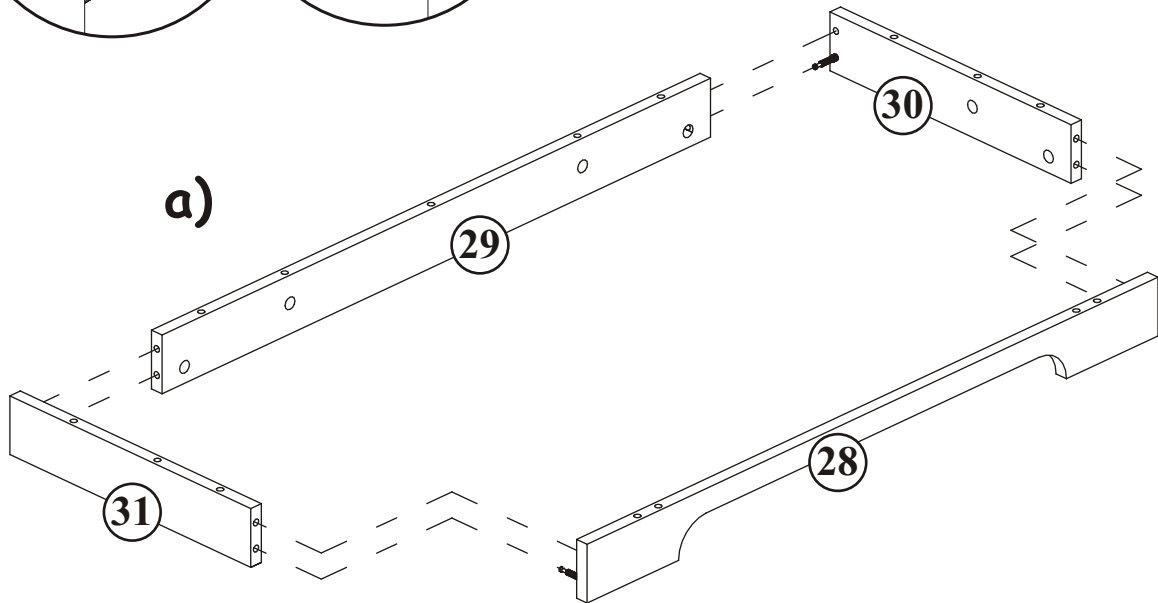
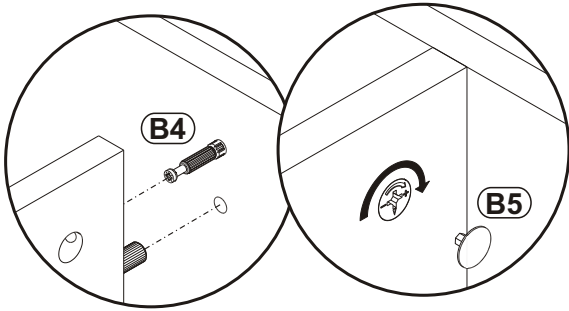
9

E17		D10	
x6	H=16	x12	USØ3,5x13

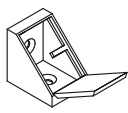

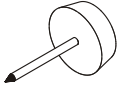


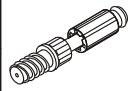


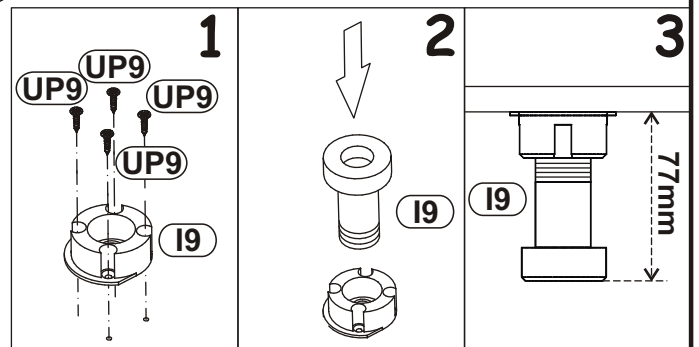
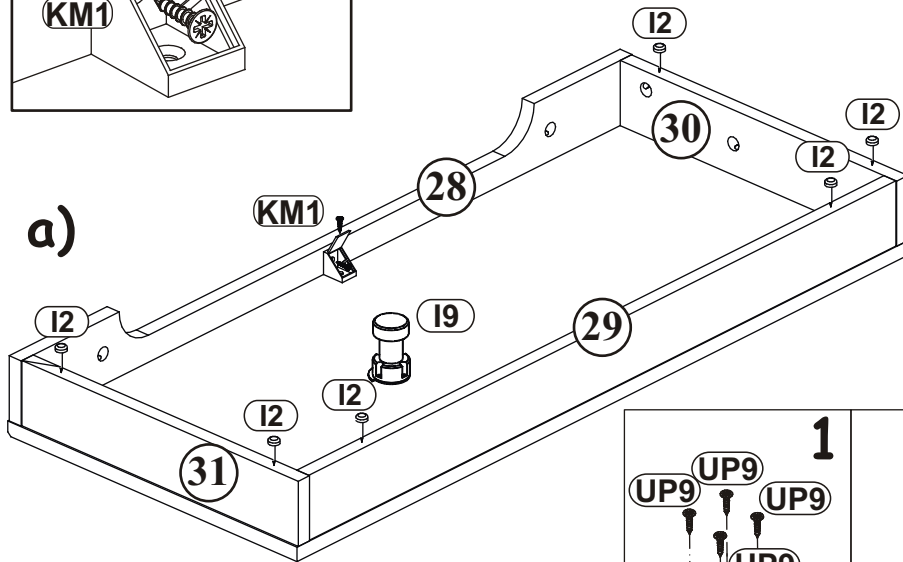
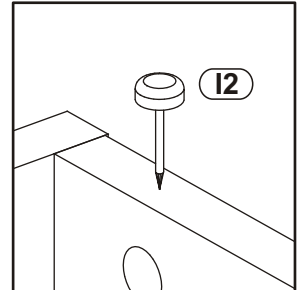
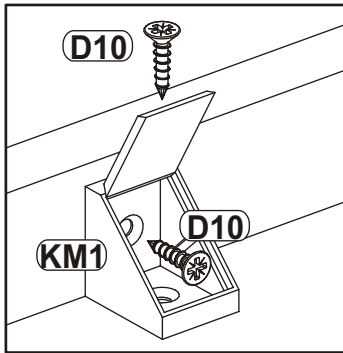


10

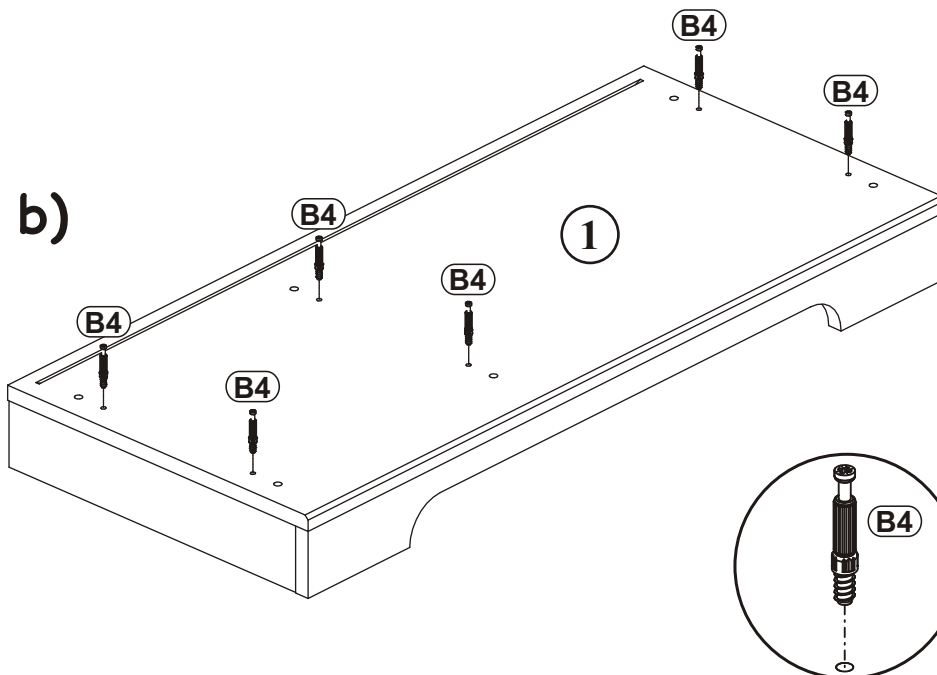


11



KM1 x1		D10 x2	 USØ3,5x13	I2 x6	
I9 x1	 H-60 mm.	UP9 x4	 UPØ3,5x16	B4 x6	

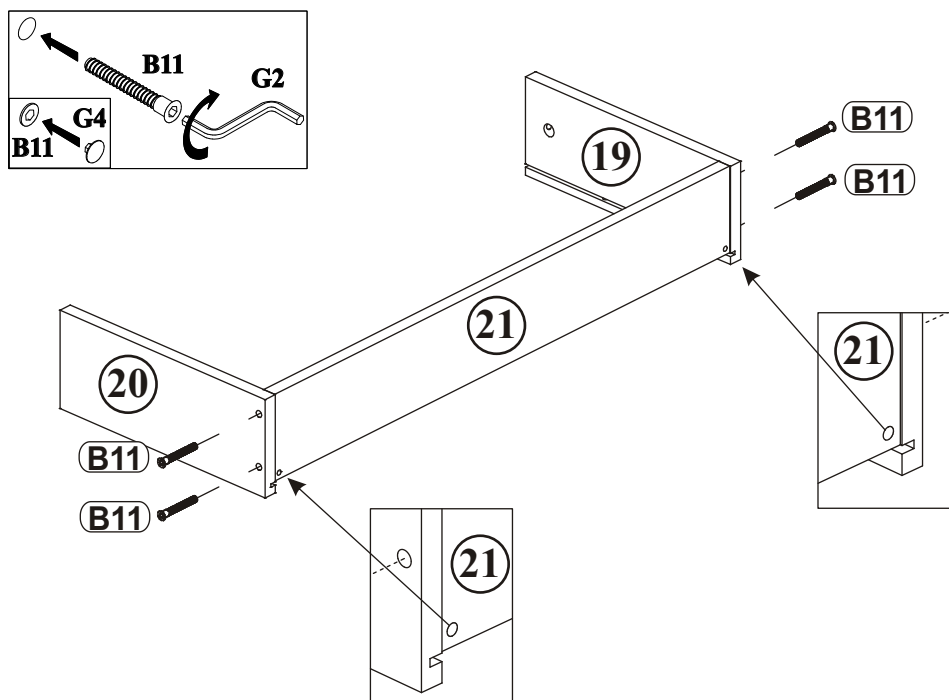


180°




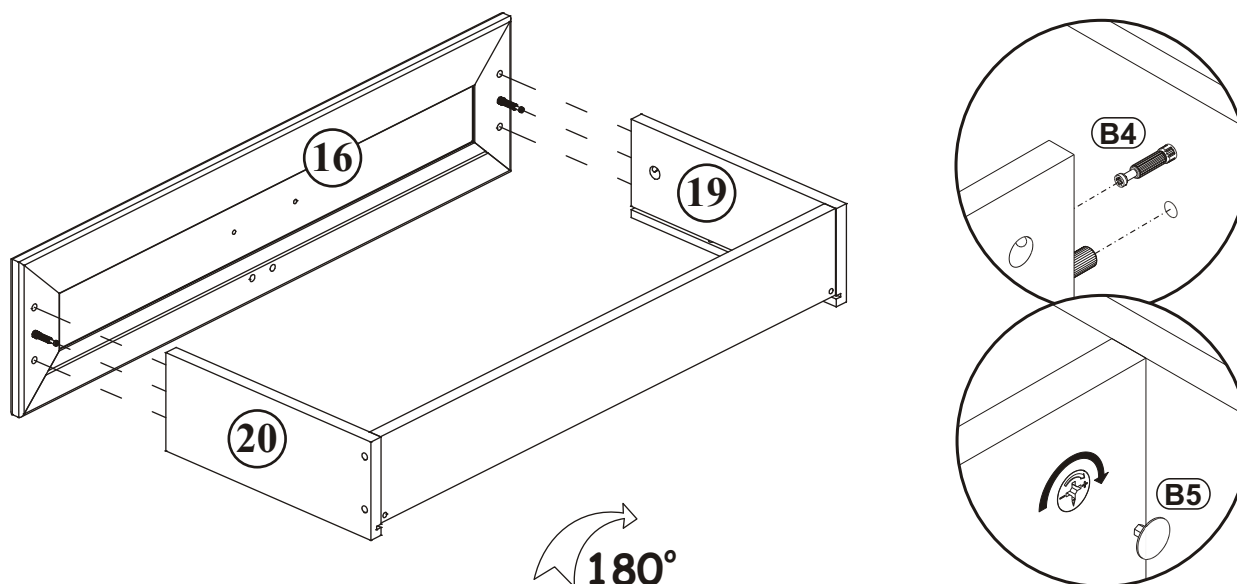
12

G4		B11	
x4		x4	Ø7x50

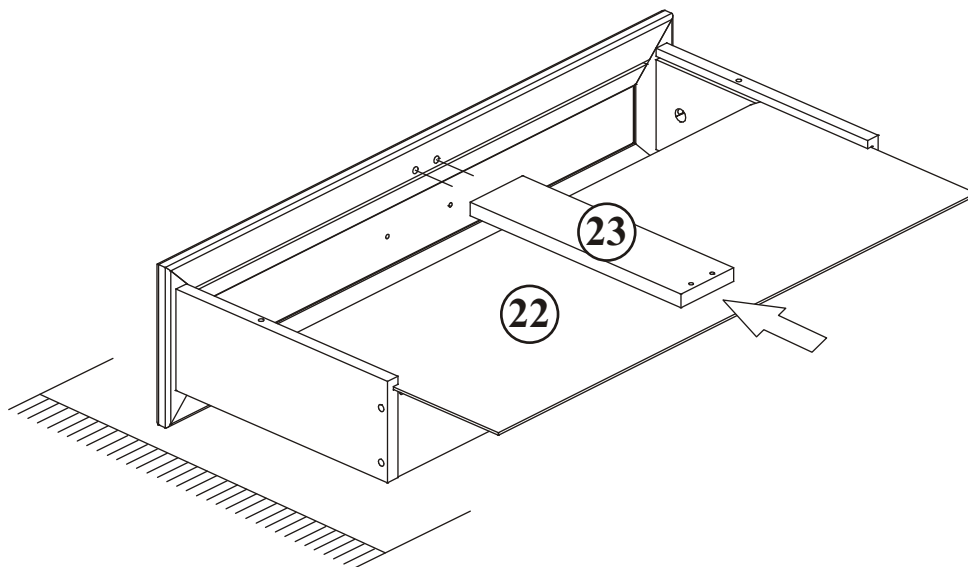


13

G5	
x2	

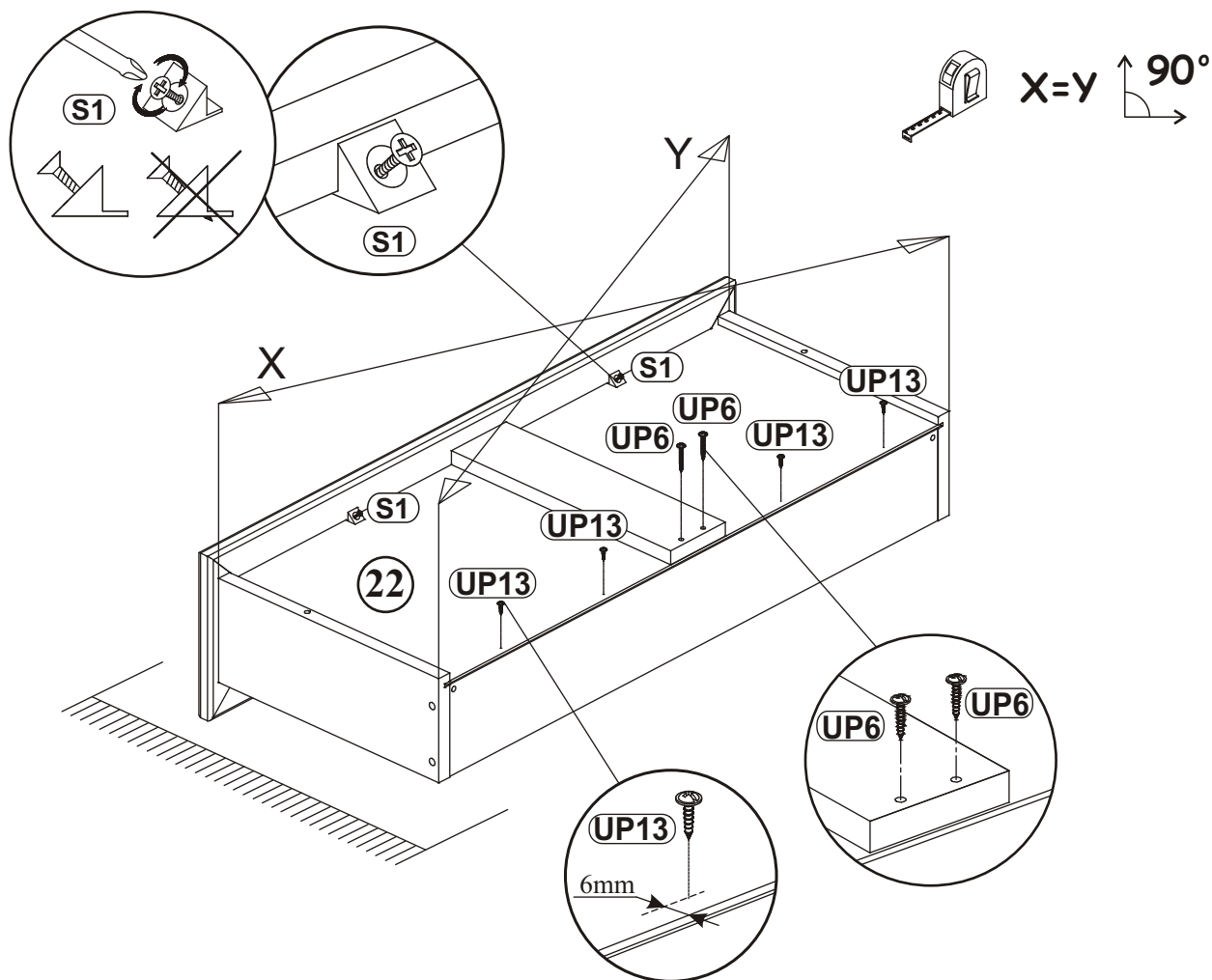


14




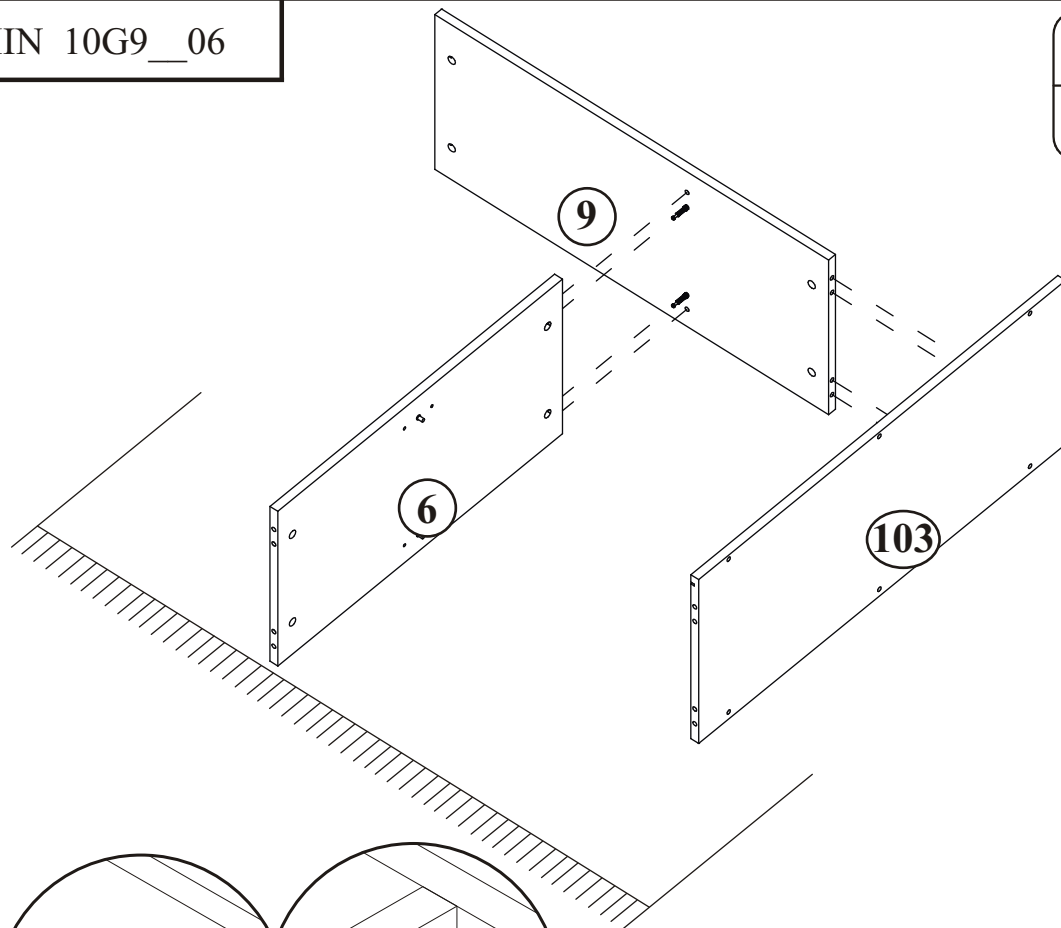
15

S1		UP6		UP13	
x2		x2	UPØ4x30	x4	UPØ3x16

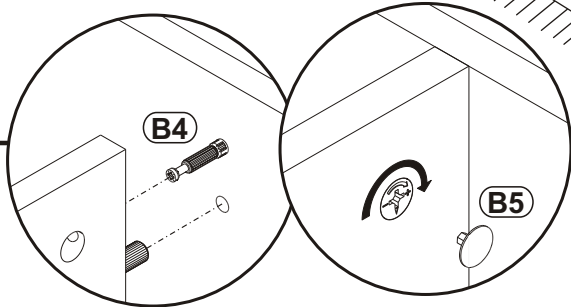



16

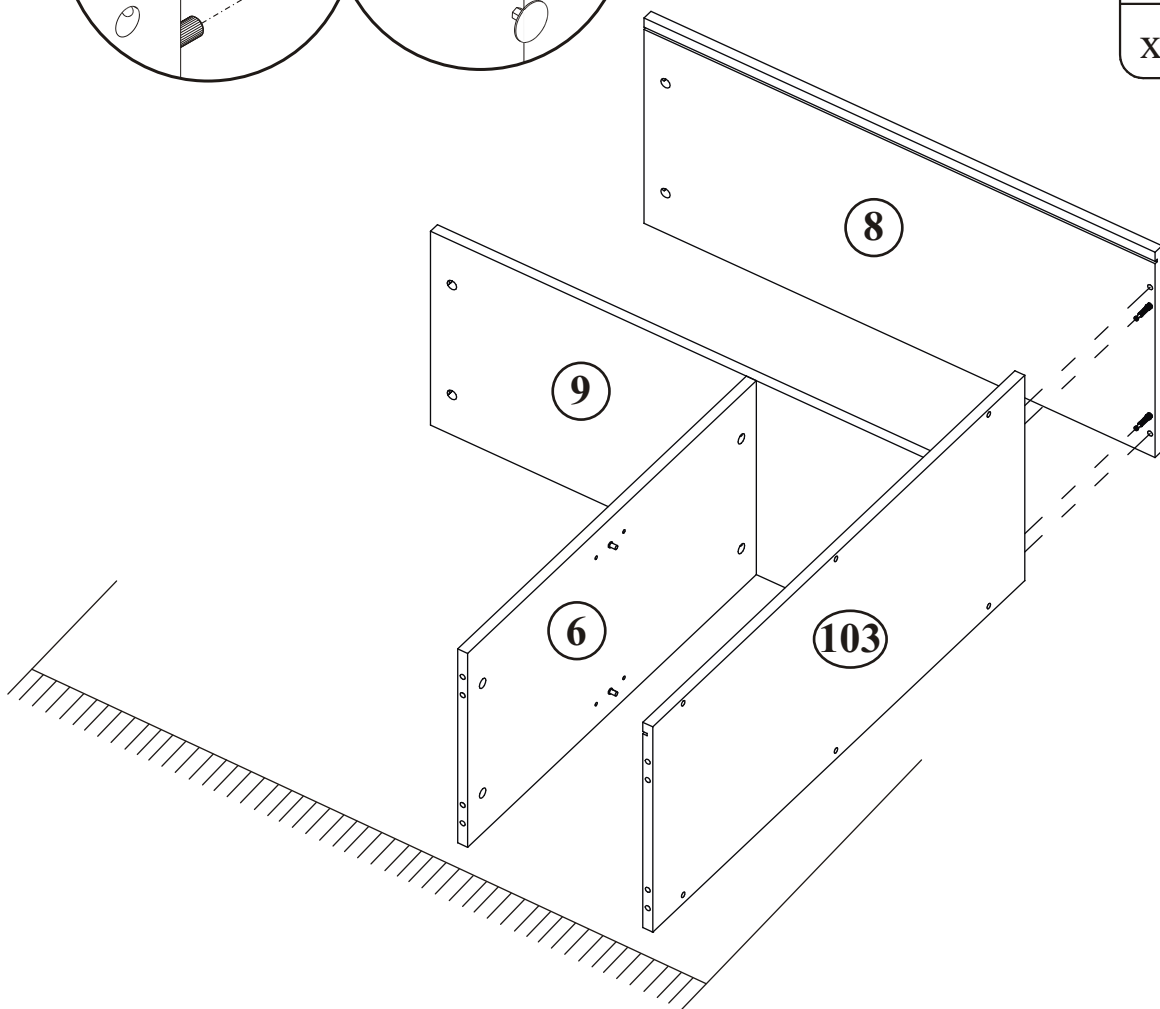
G5	
x4	




17

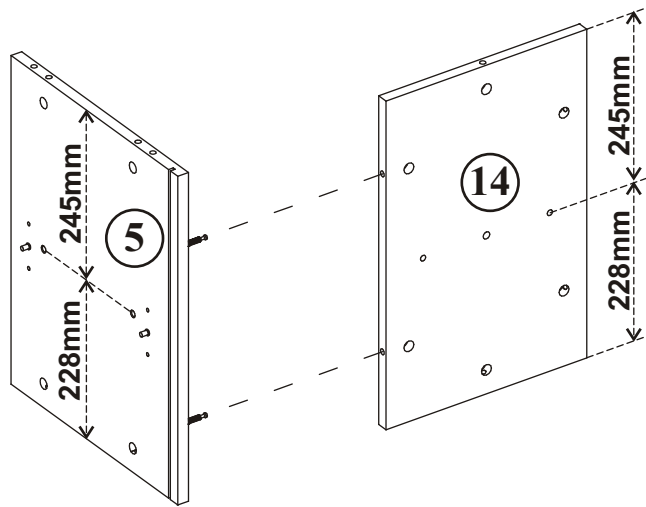
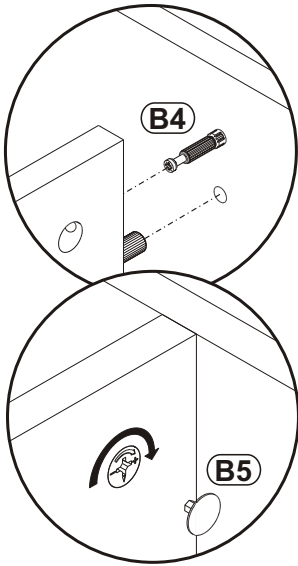


G5	
x2	

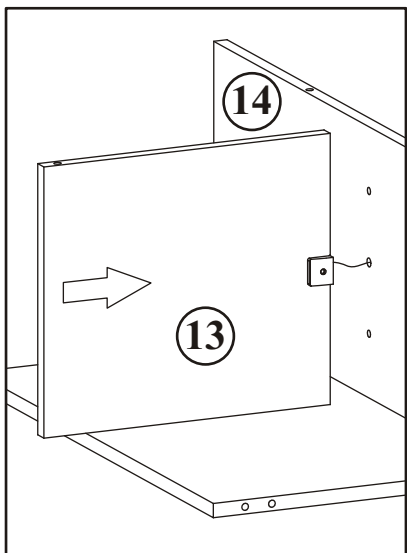
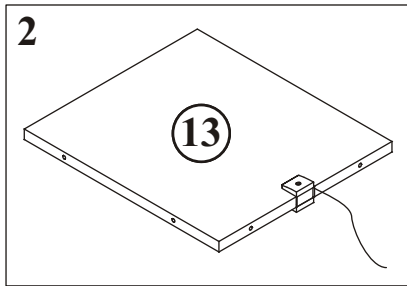
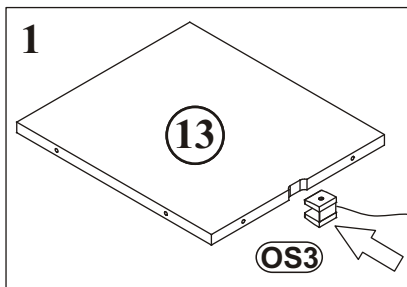


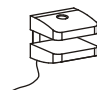
G5	
x2	


18




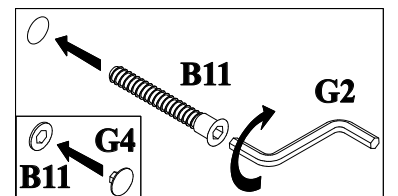
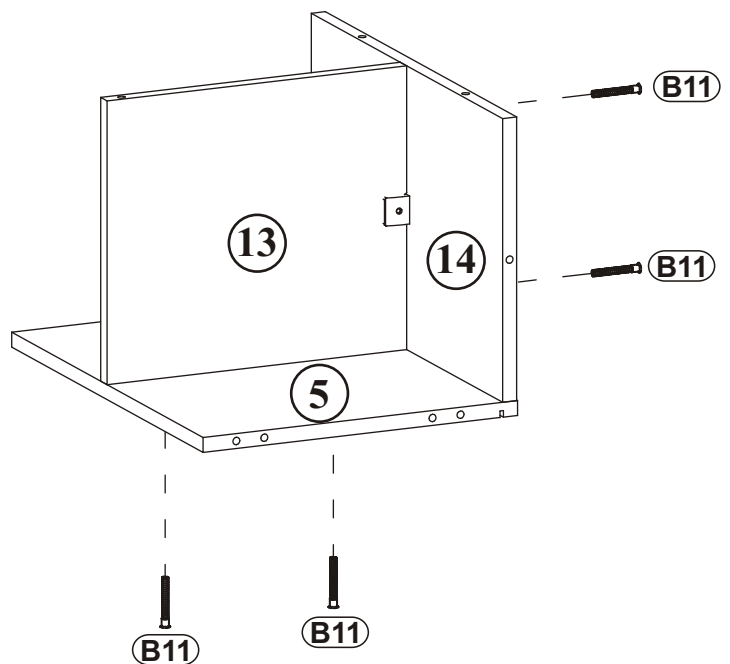
19




OS3	
x1	

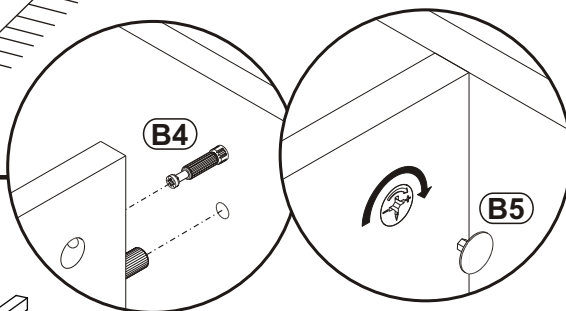
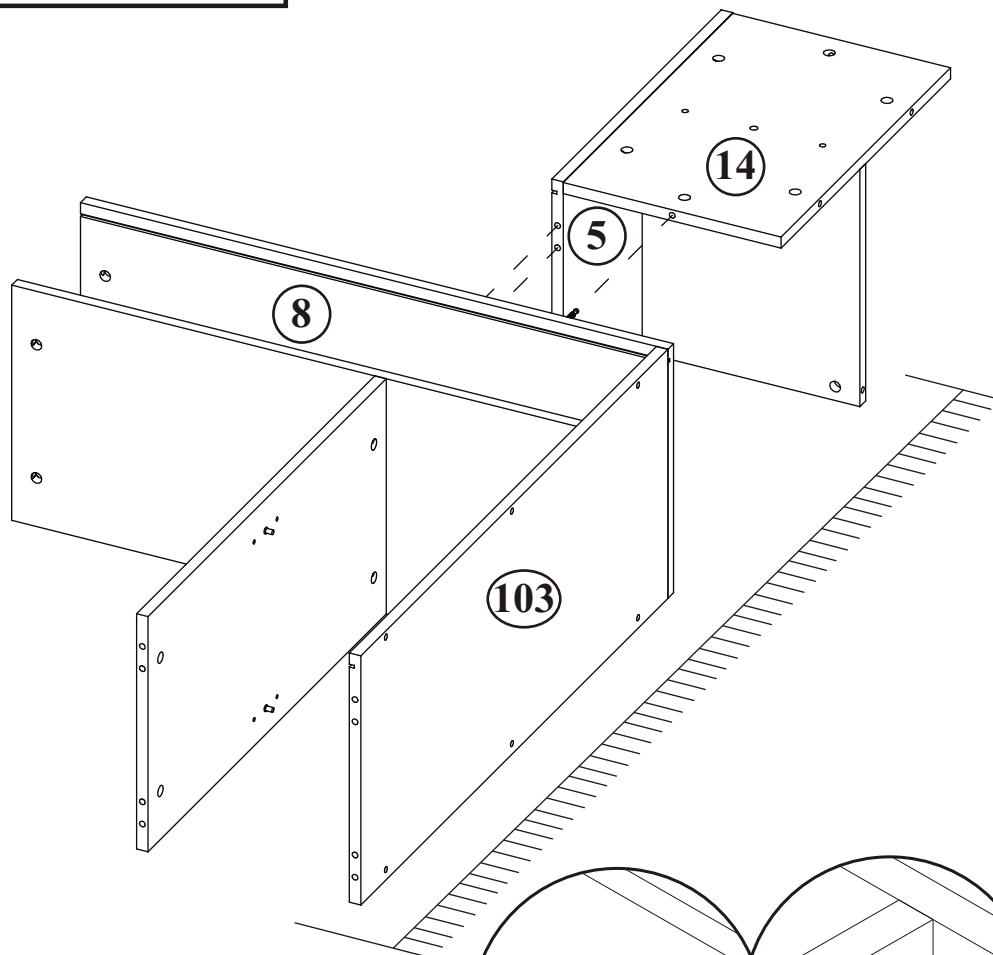
G4	
x4	

B11	
x4	Ø7x50




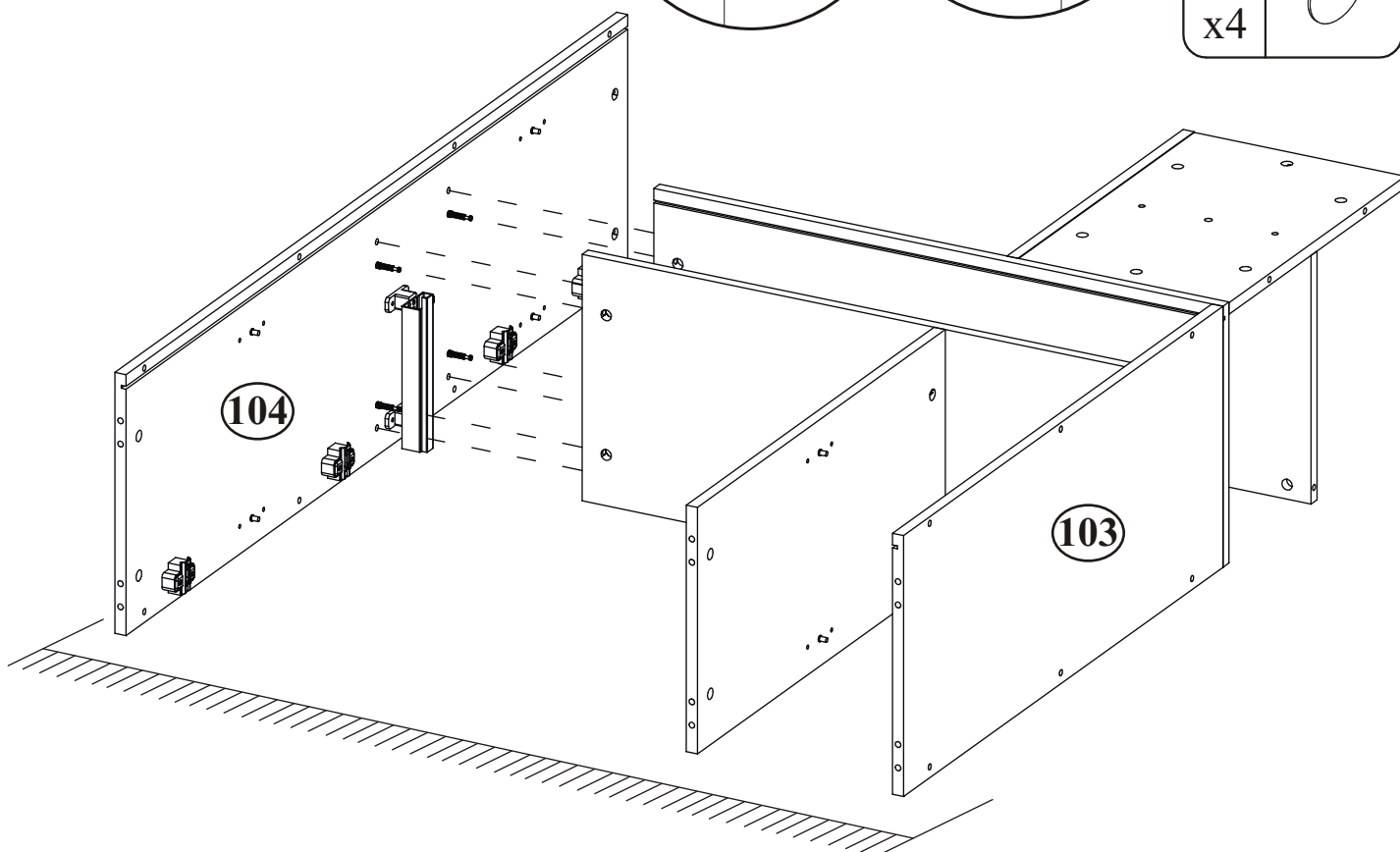
20

G5	
x3	

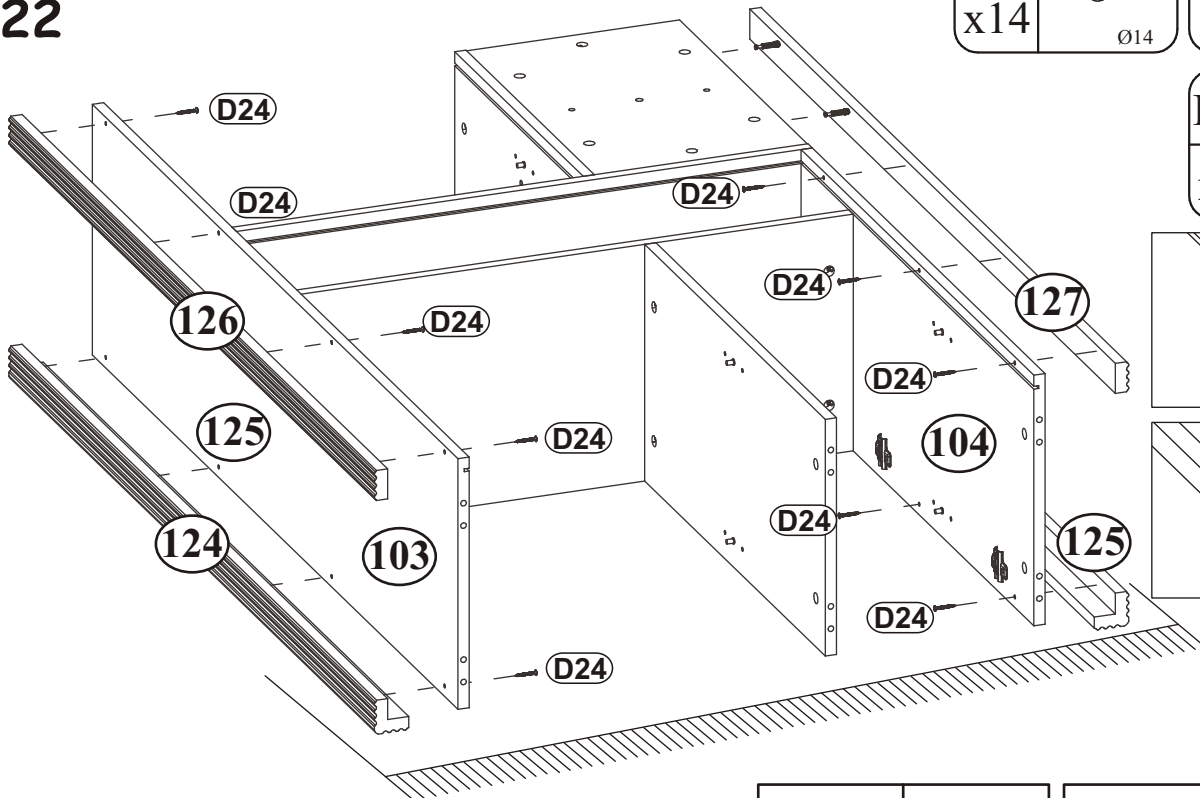


21

G5	
x4	



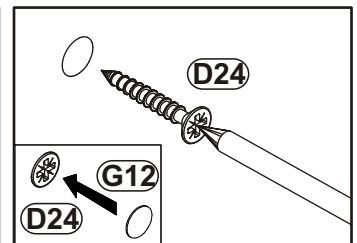
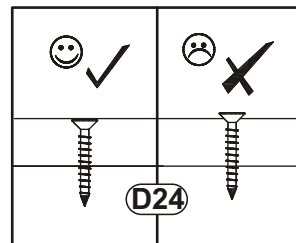
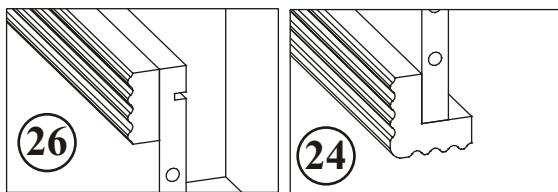
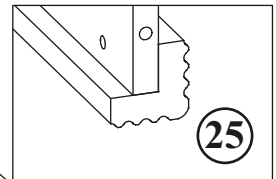
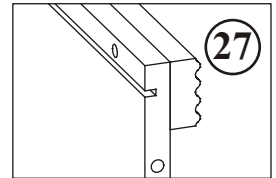
22



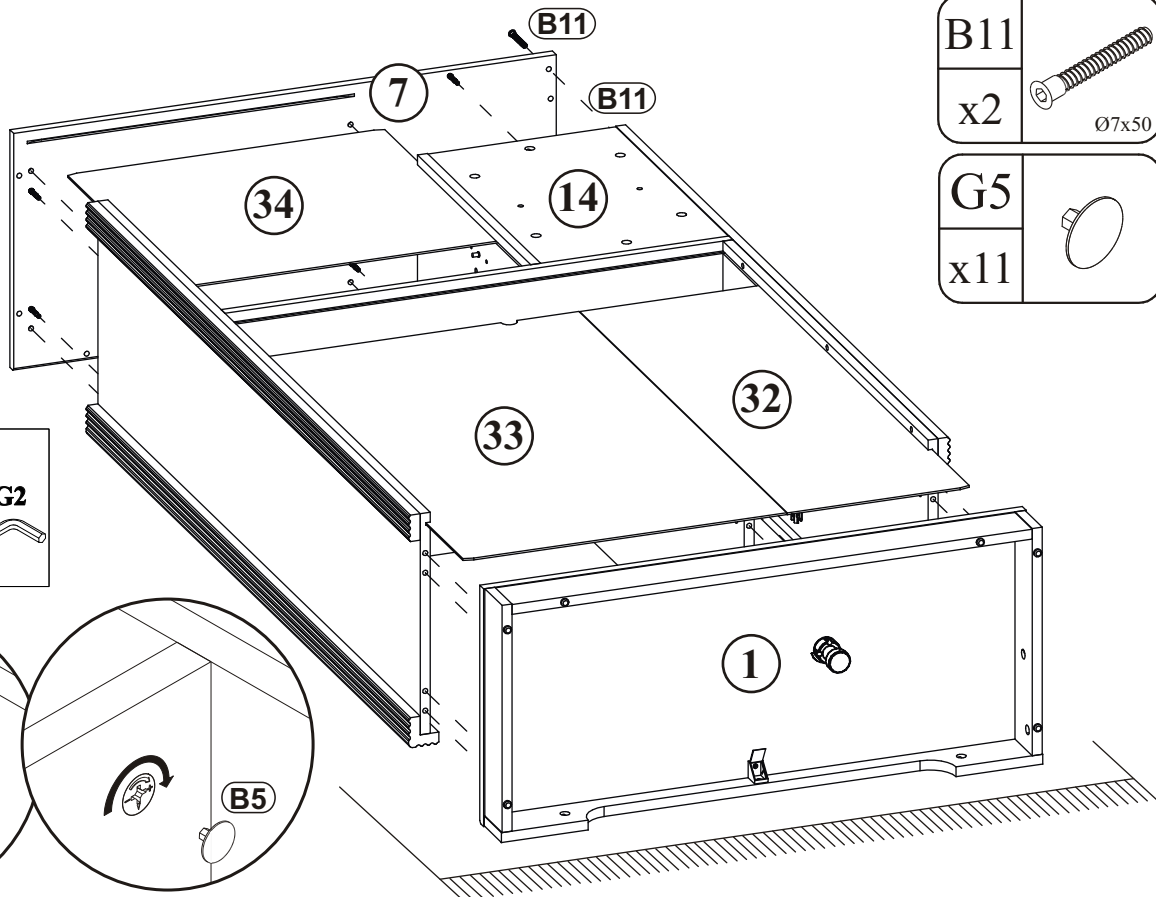
G12	
x14	Ø14

G5	
x3	

D24	
x14	USØ4x30

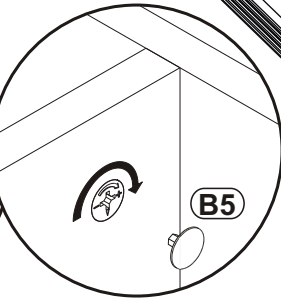
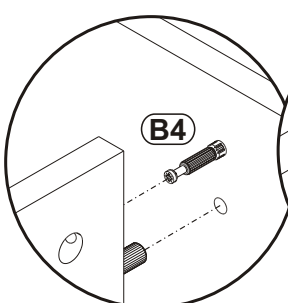
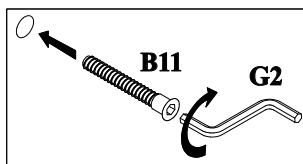


23

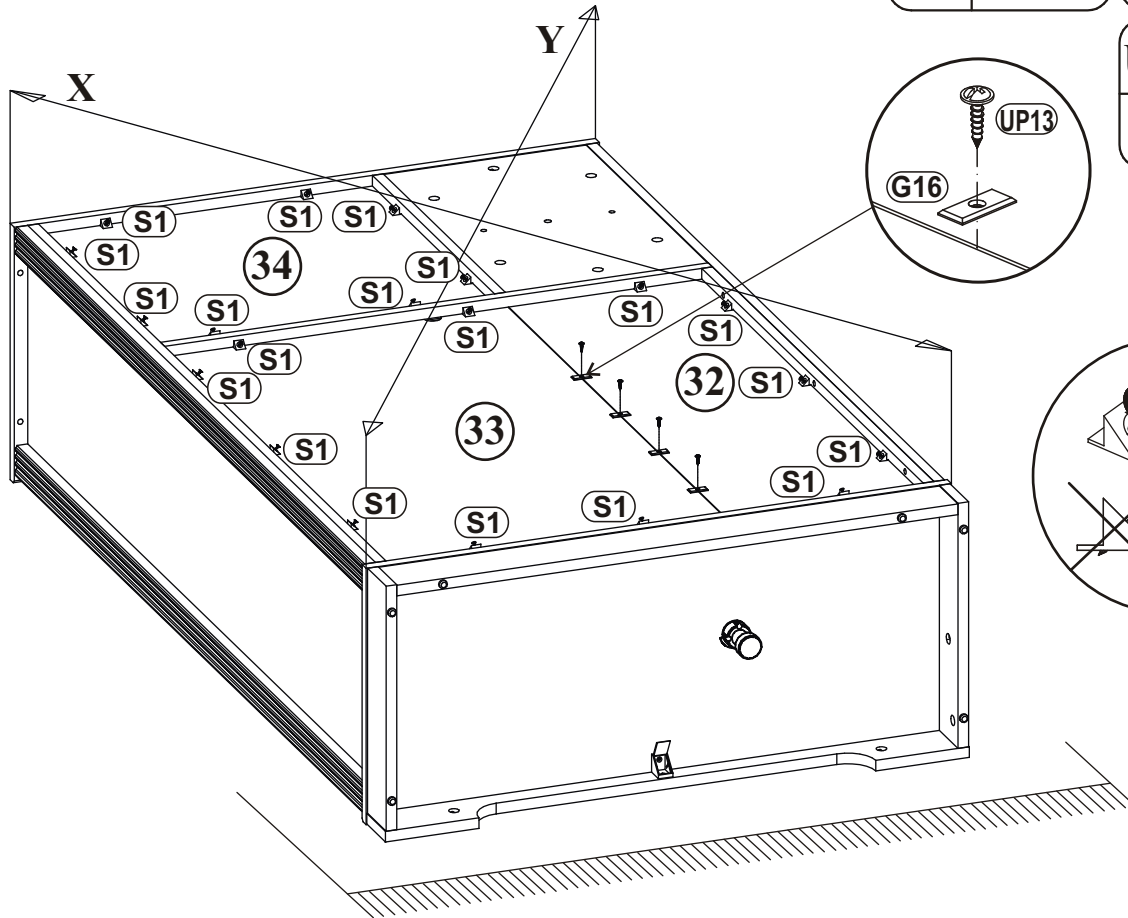


B11	
x2	Ø7x50

G5	
x11	



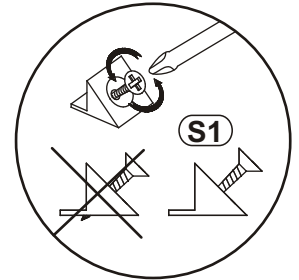
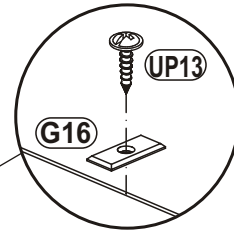
24



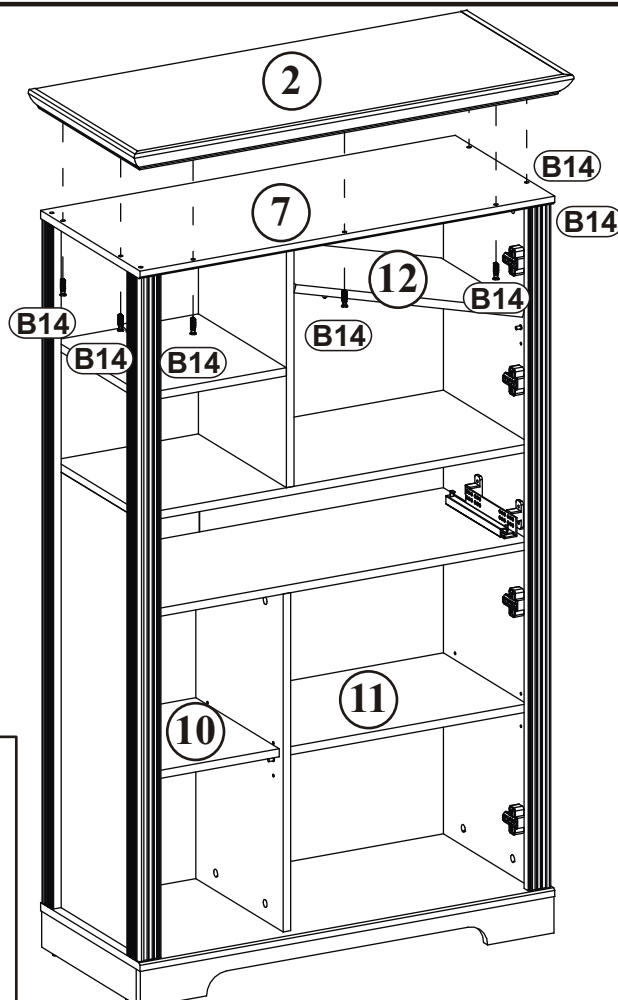
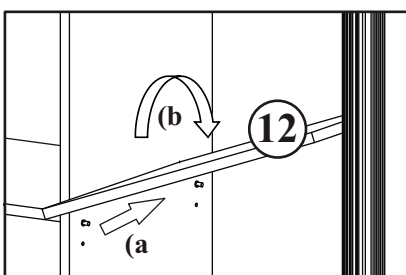
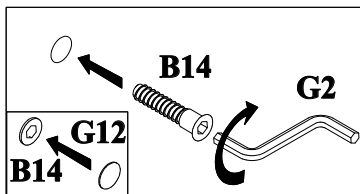
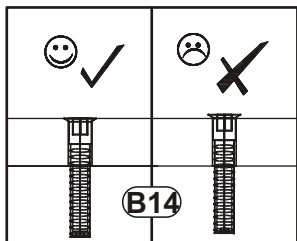
S1	
x20	

G16	
x4	

UP13	
x4	UPØ3x16



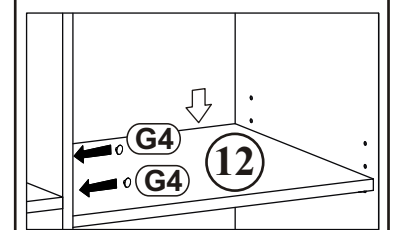
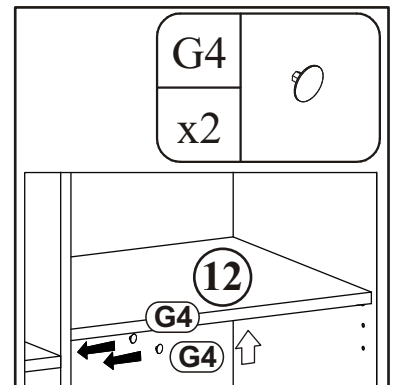
25



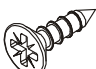
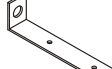
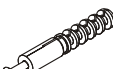
B14	
x7	Ø7x30

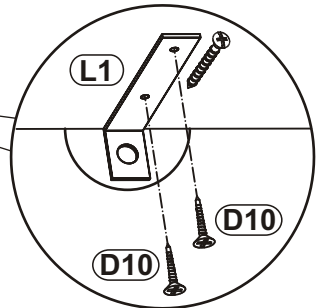
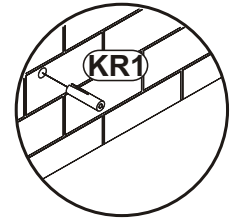
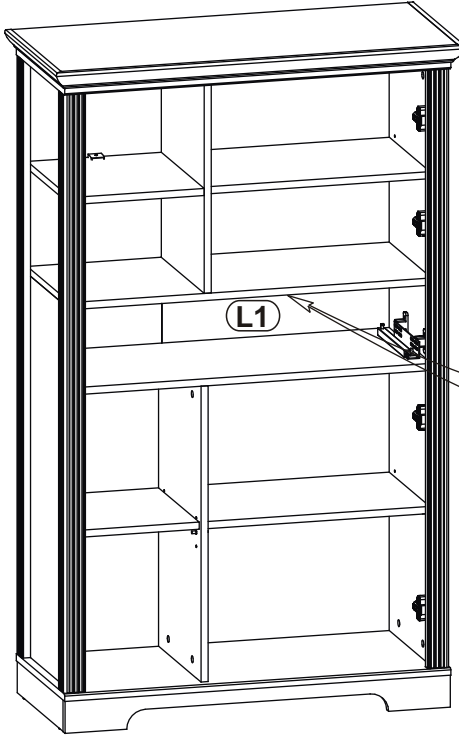
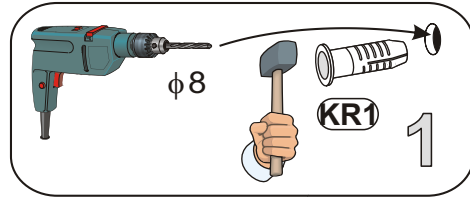
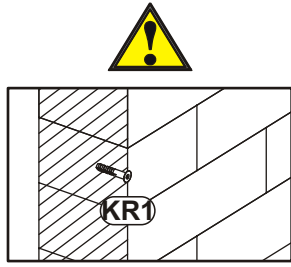
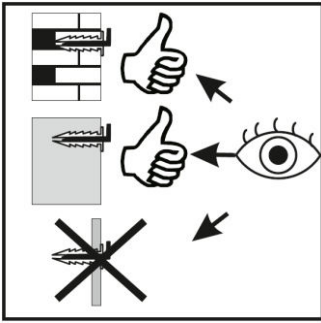
G12	
x7	Ø14

G4	
x2	

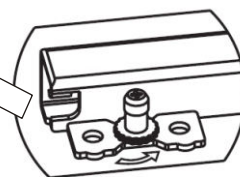
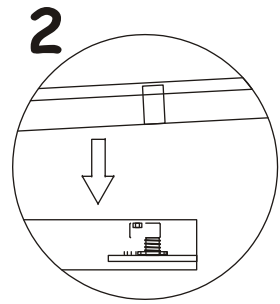
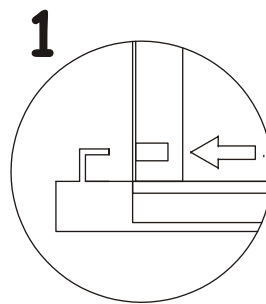
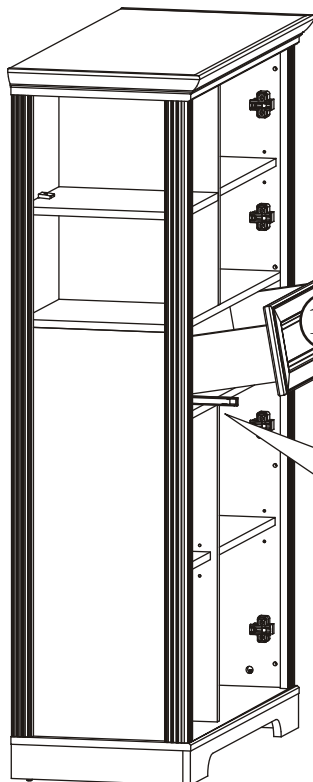


26

D10		L1		KR1	
x2	USØ3,5x13	x1		x1	

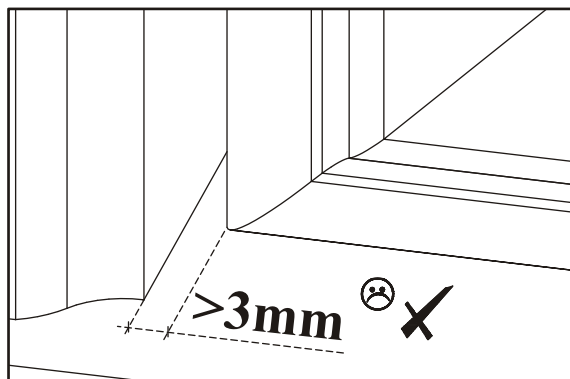
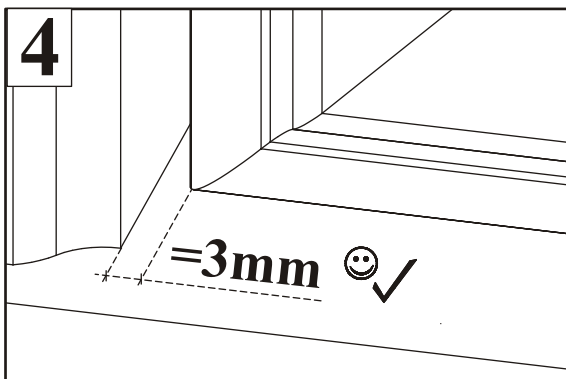
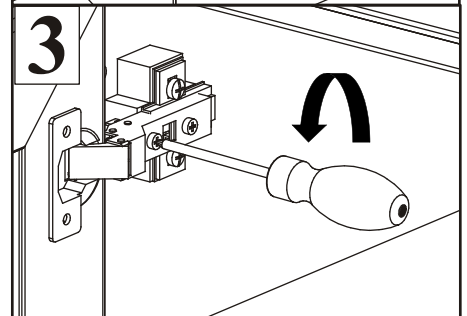
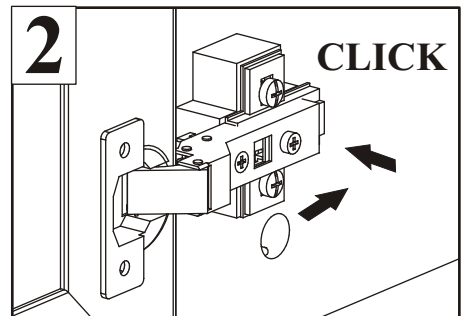
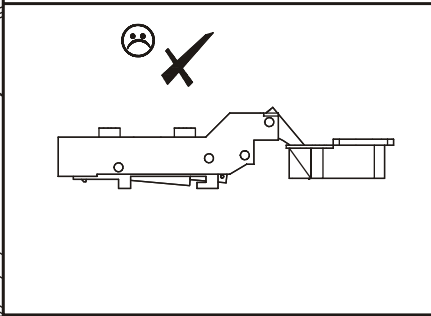
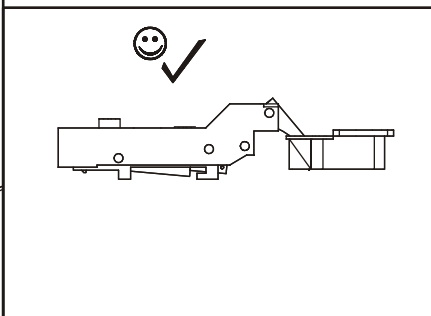
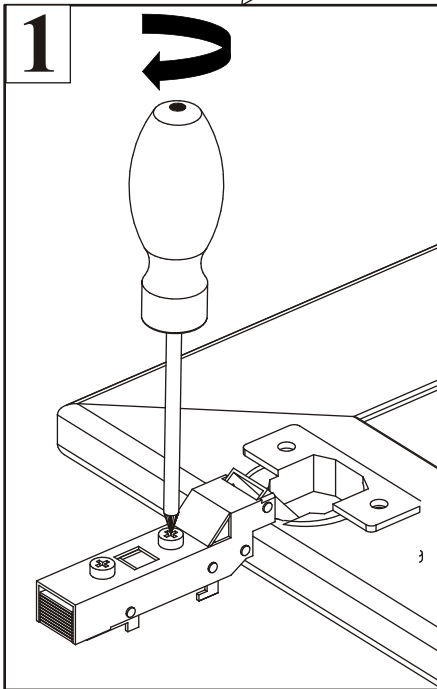
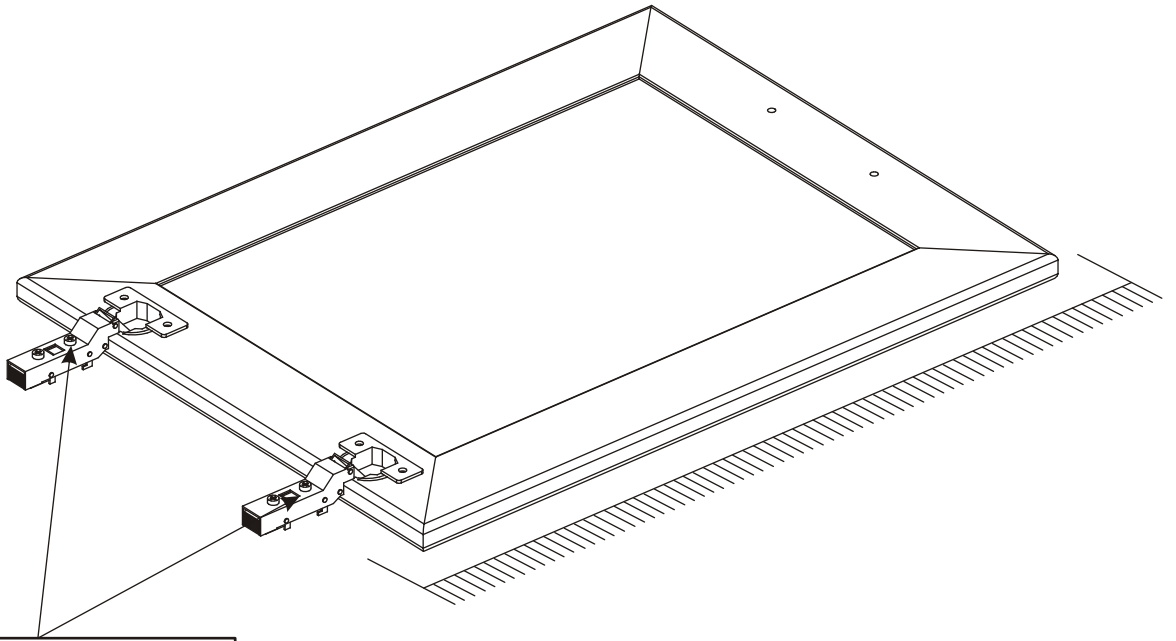


27

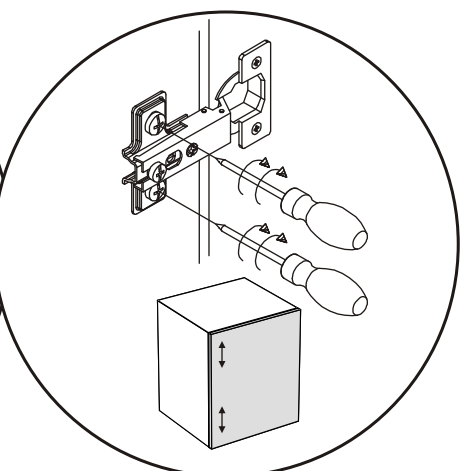
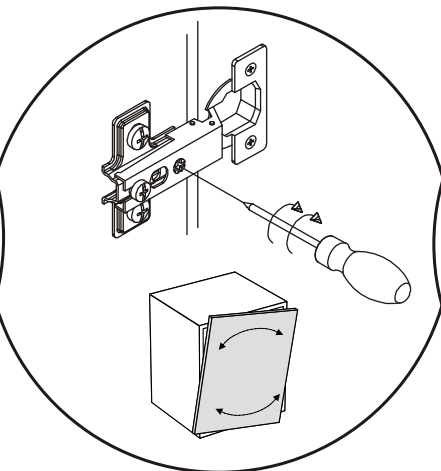
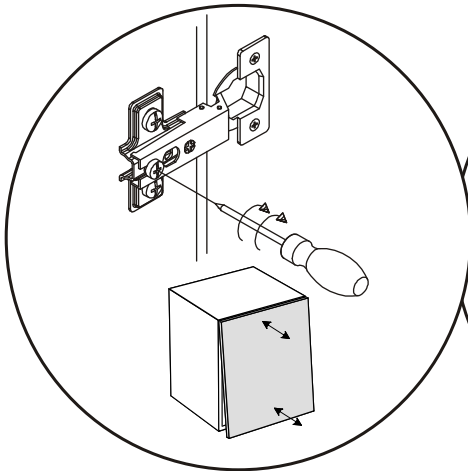
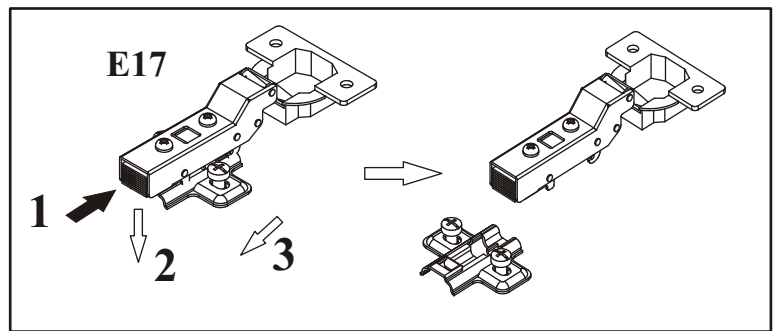
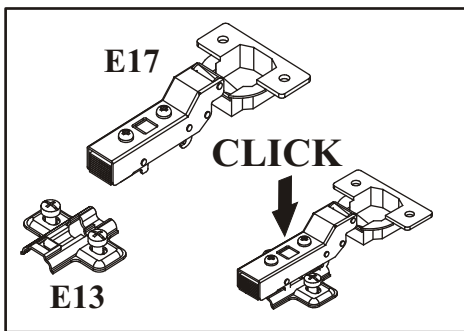
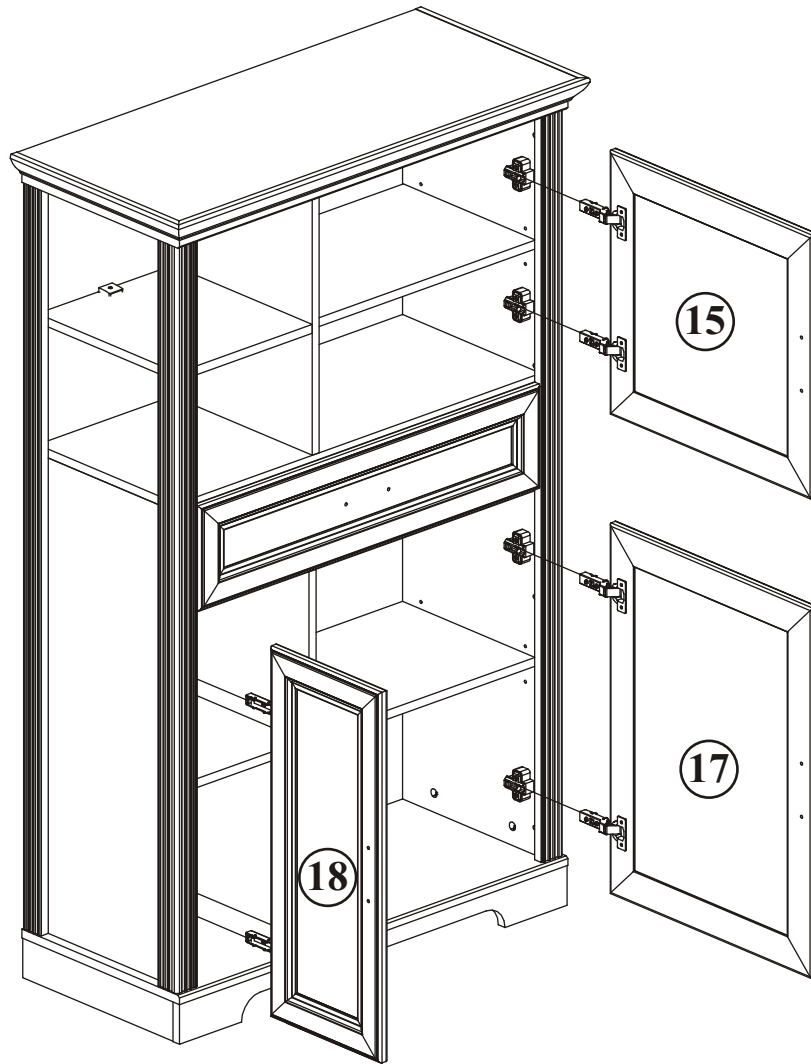


↑ +4 mm

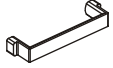
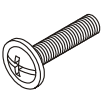
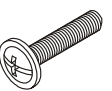
28



29



30

C19		D34		D4	
x4		x2	M4x16	x6	M4x30

