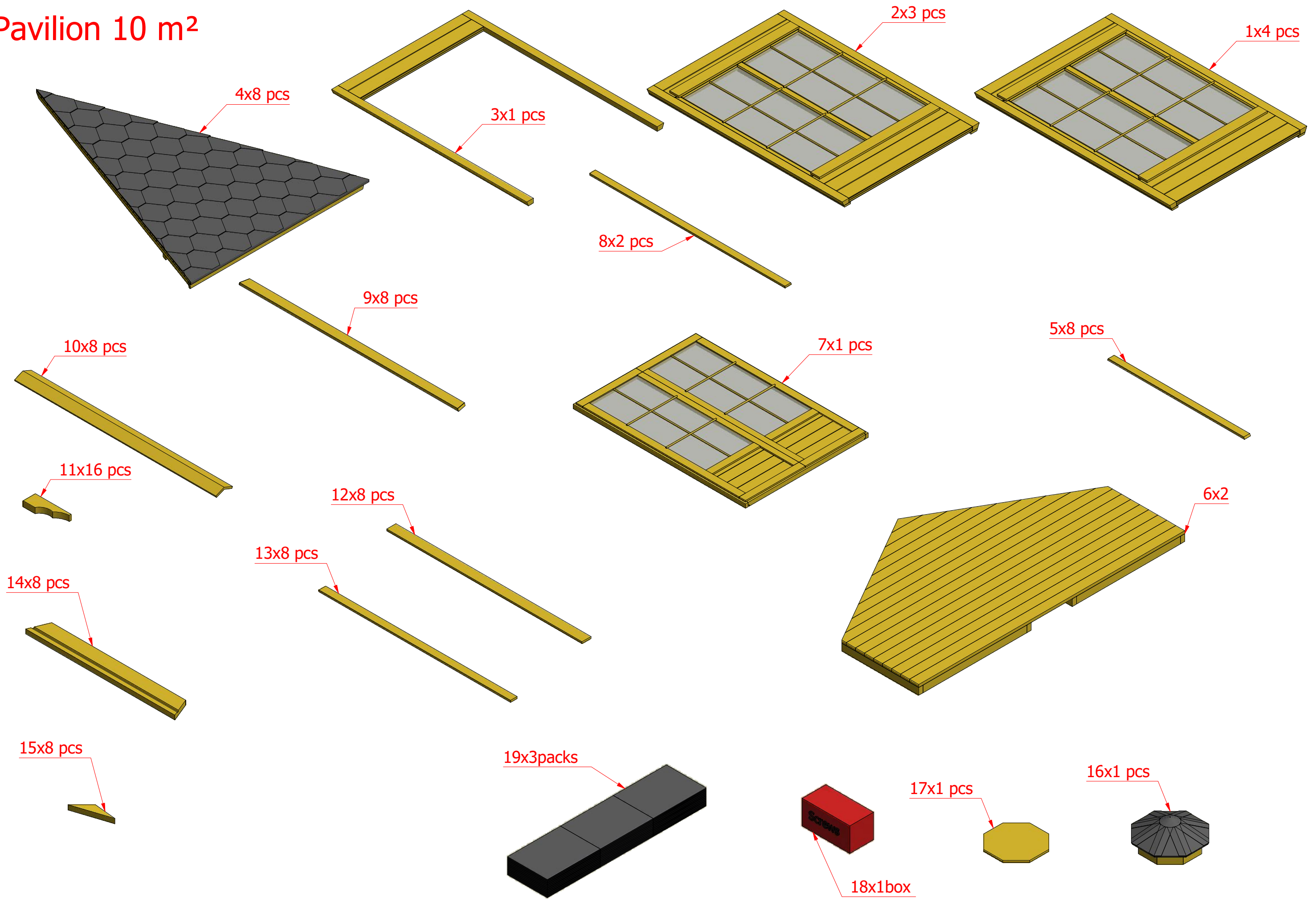


# Pavilion 10 m<sup>2</sup>

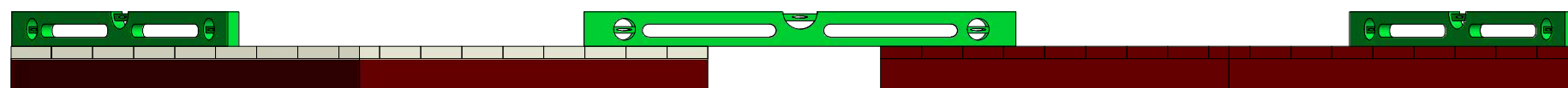
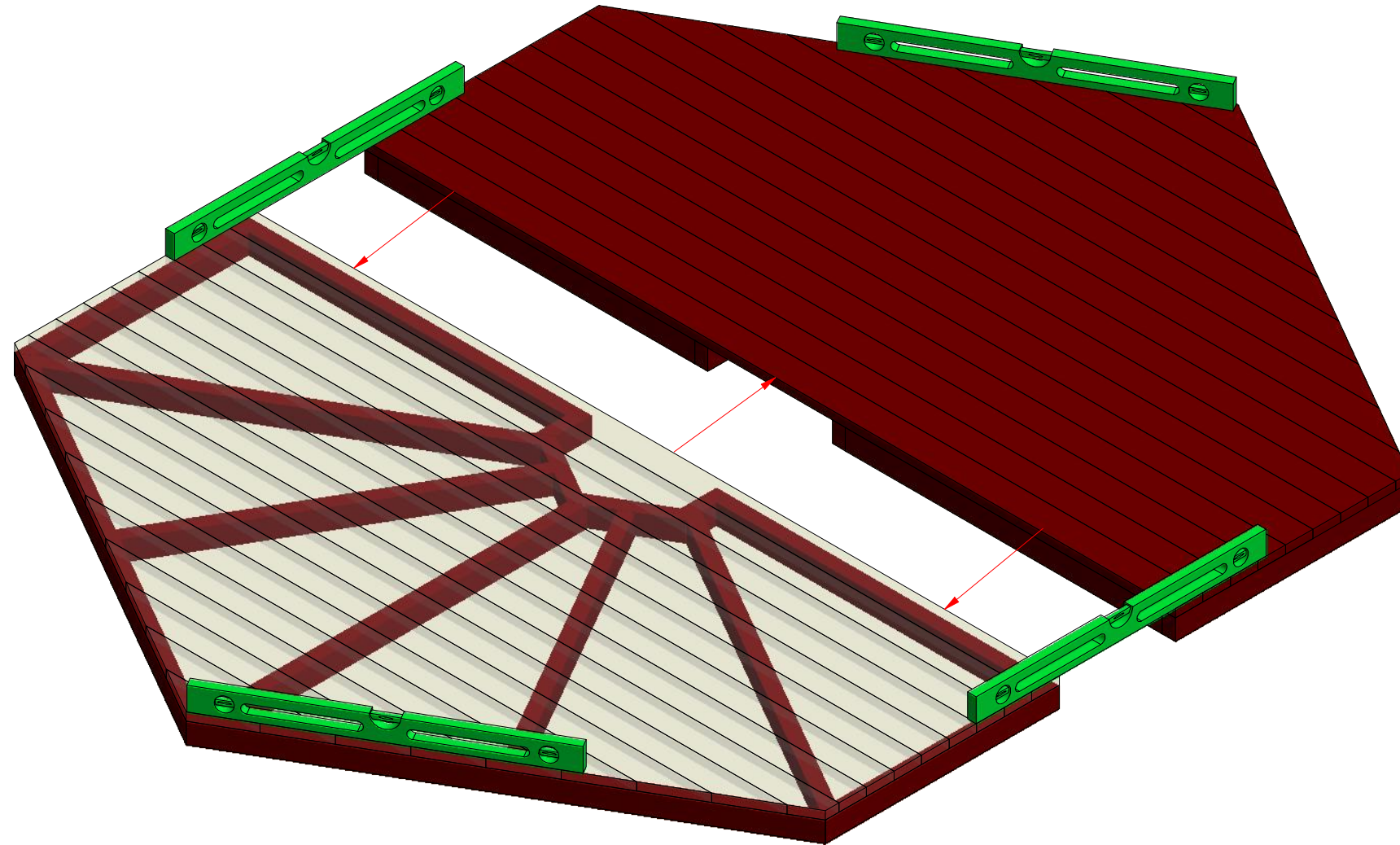


# Pavilion 10 m<sup>2</sup>



# Pavilion 10 m<sup>2</sup>

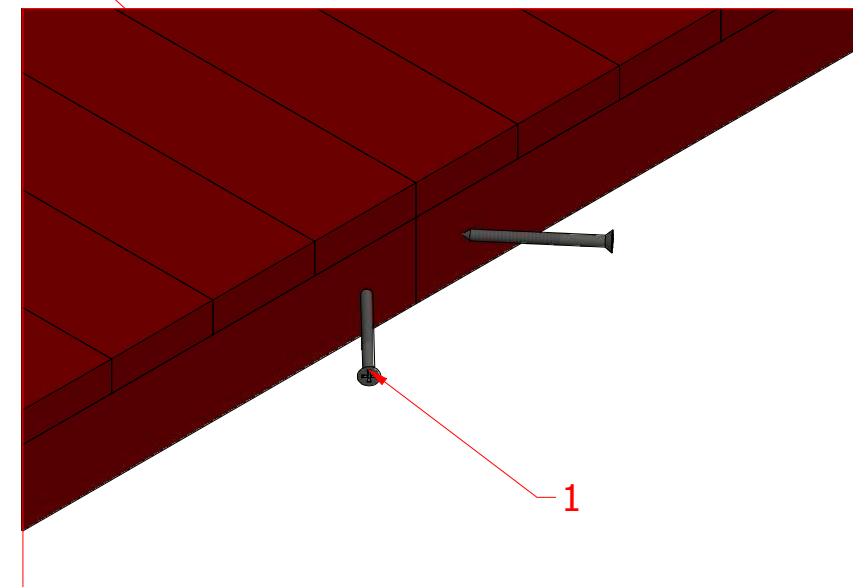
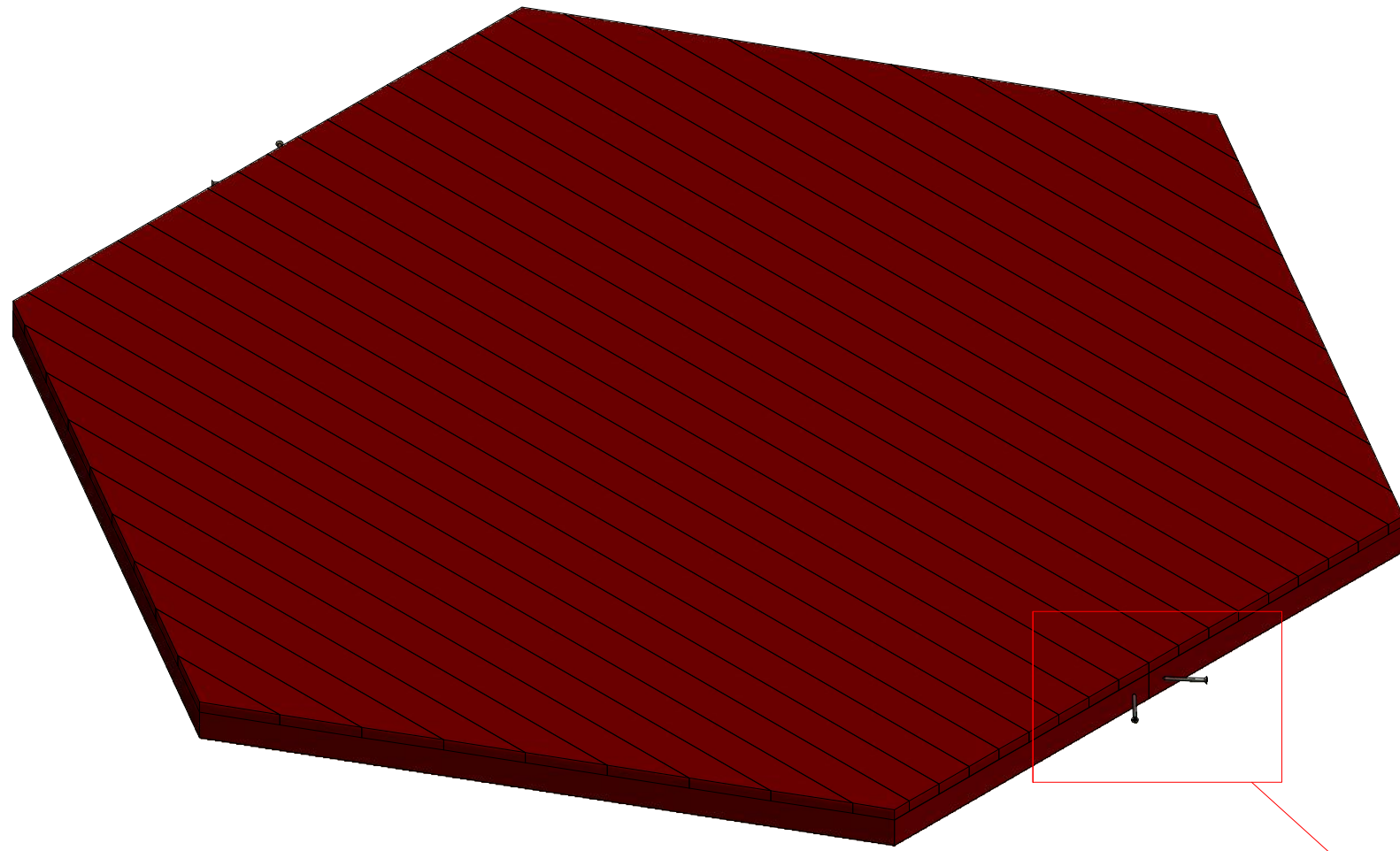
## Screws

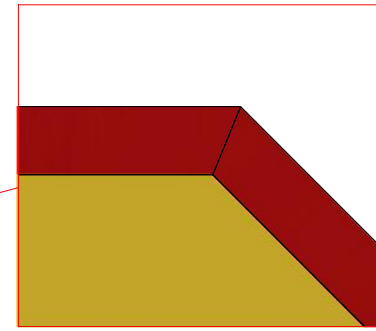
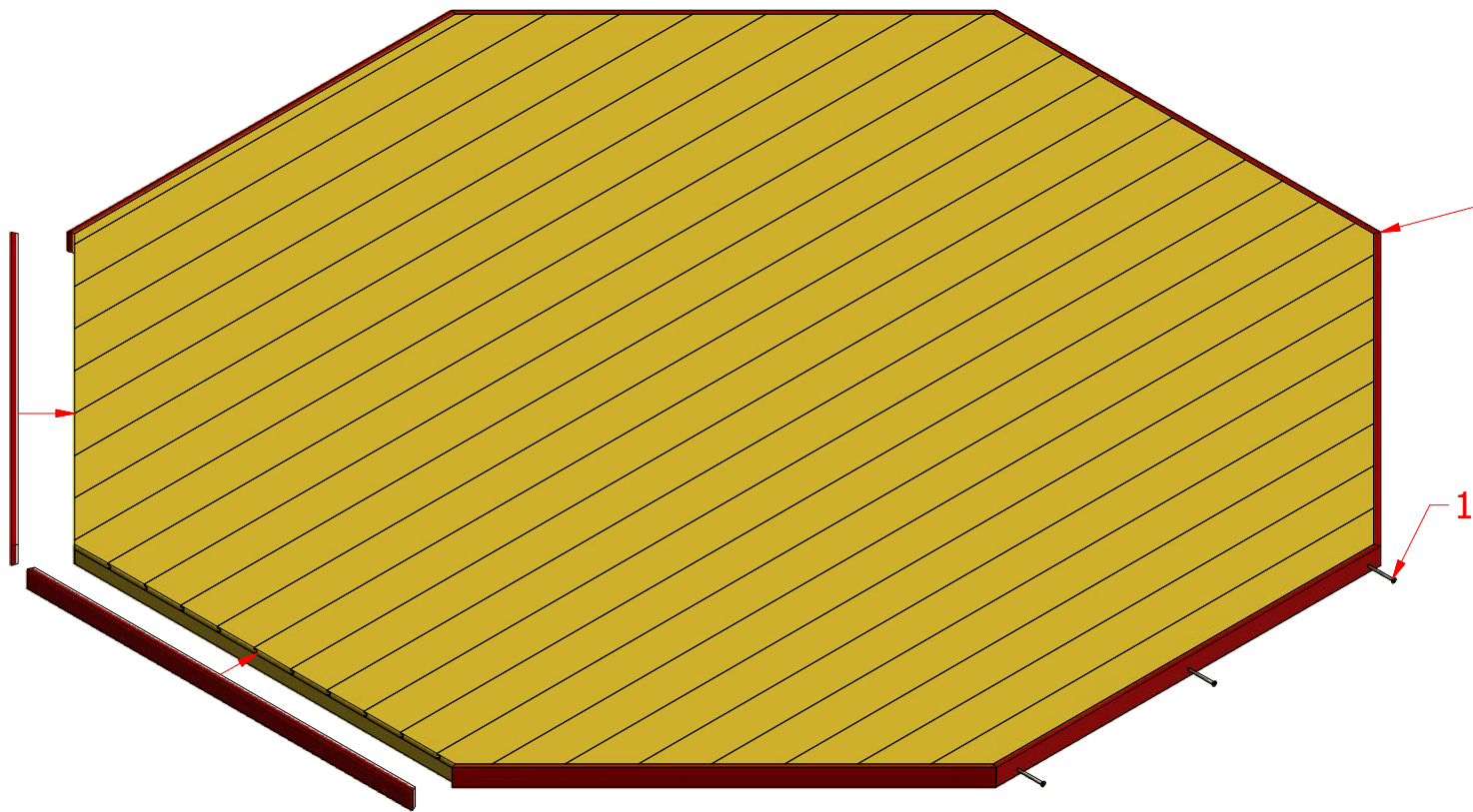
# Pavilion 10 m<sup>2</sup>

## Screws

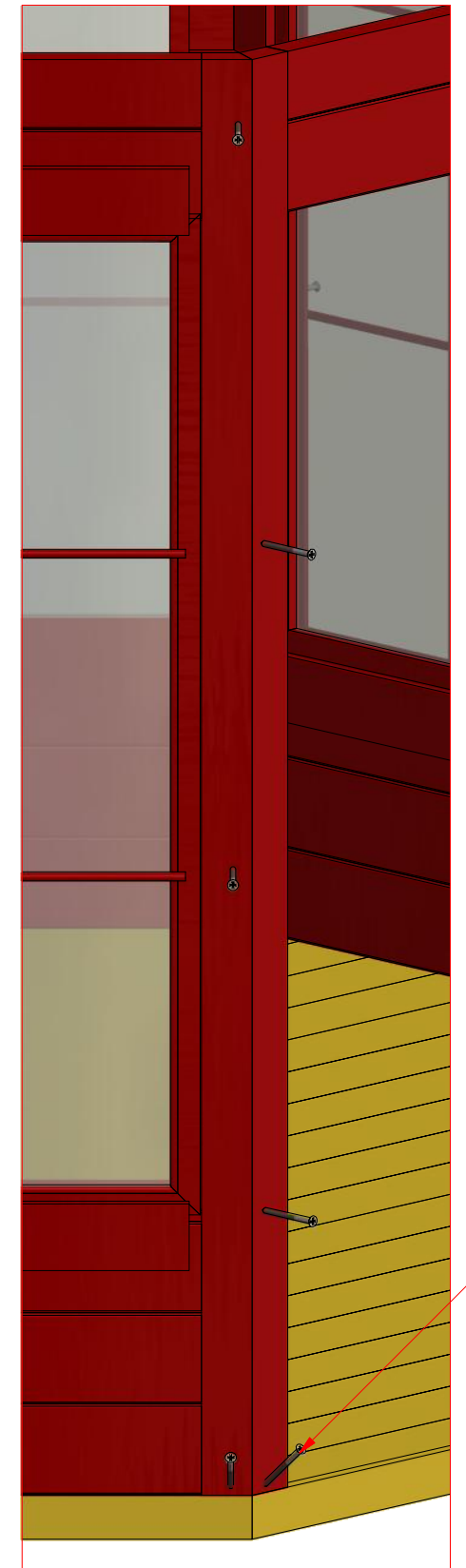
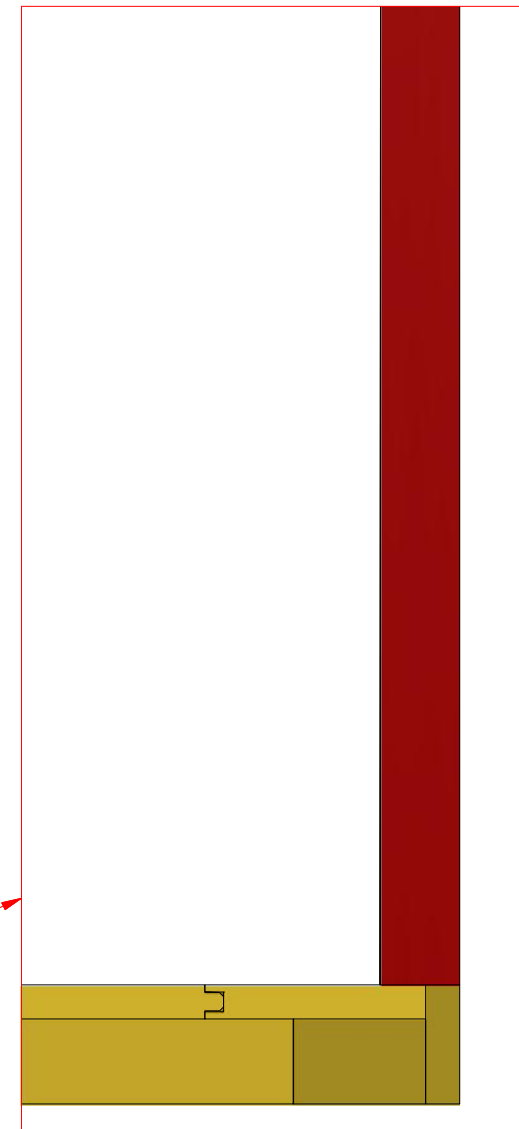
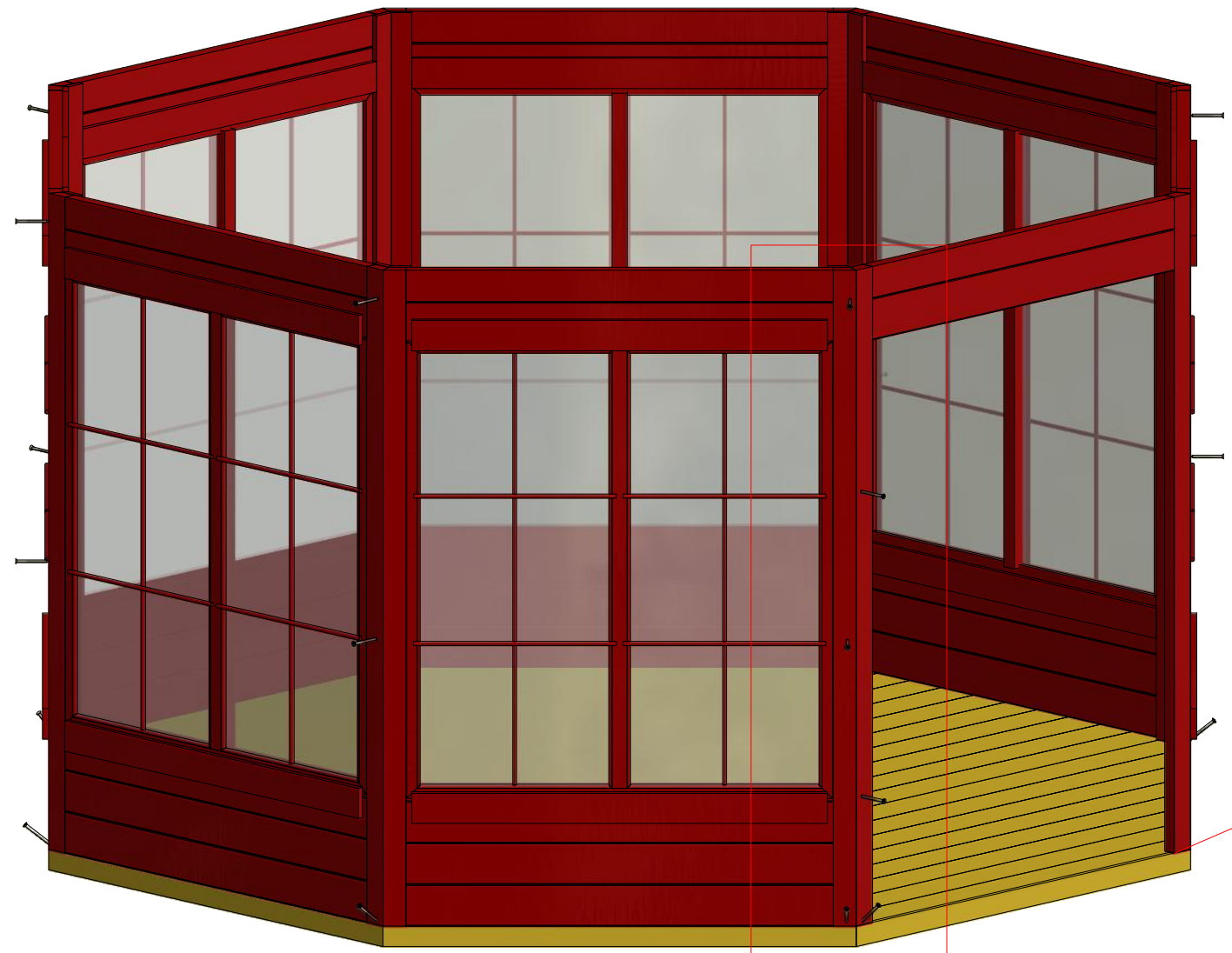
1	S1	5x100	4 pcs



# Pavilion 10 m<sup>2</sup>



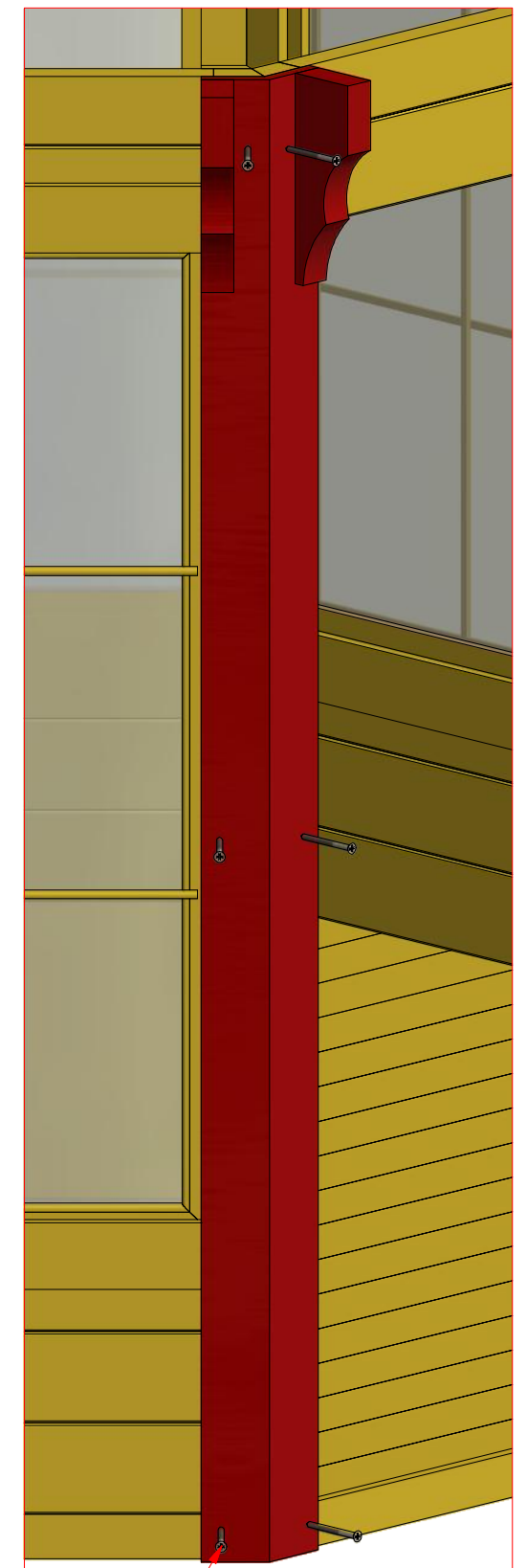
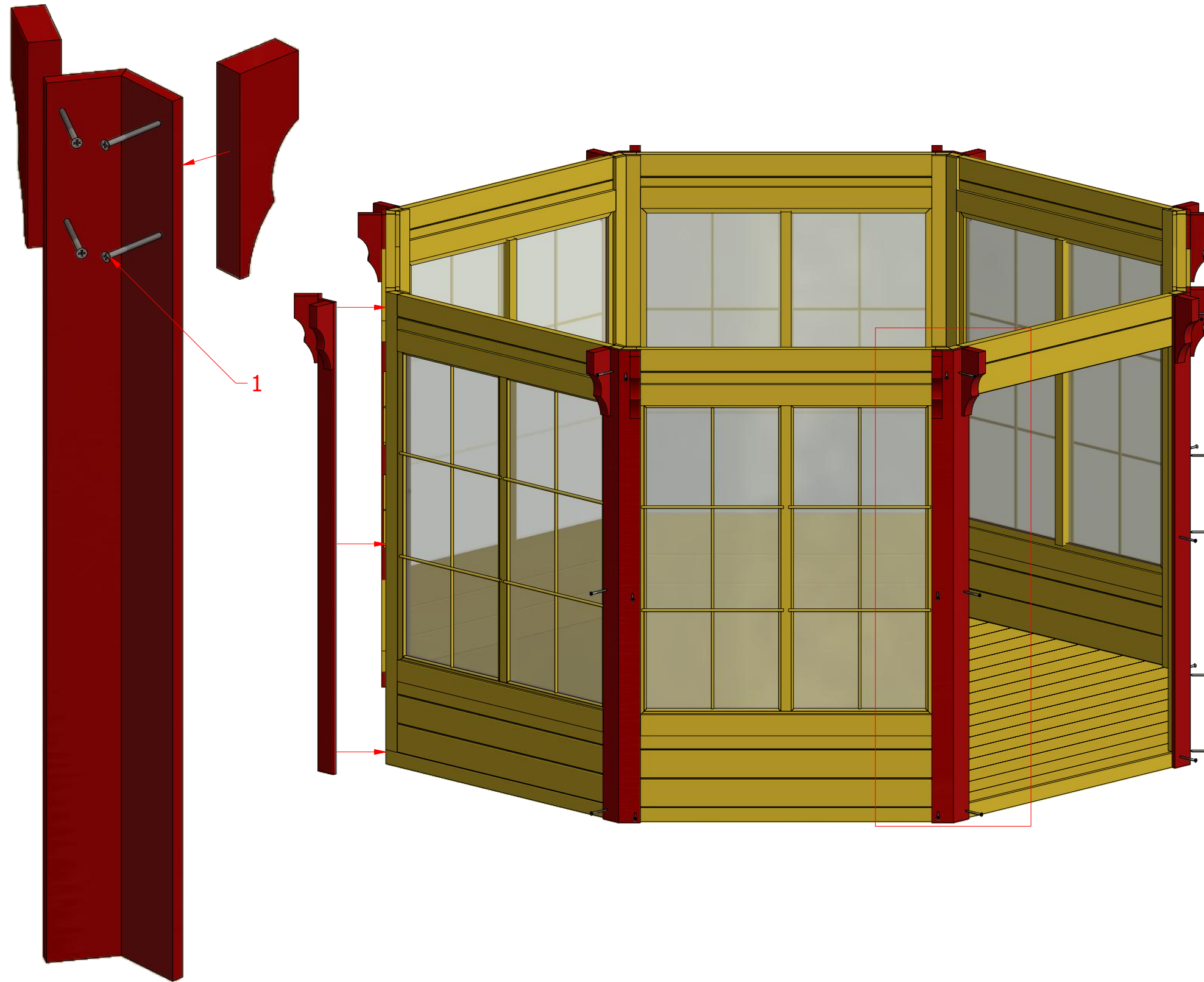
Screws			
1	S3	3.5x45	24 pcs
2	S2	4x70	48 pcs



# Pavilion 10 m<sup>2</sup>

## Screws

1	S2	4x70	32 pcs
2	S3	3.5x45	48 pcs

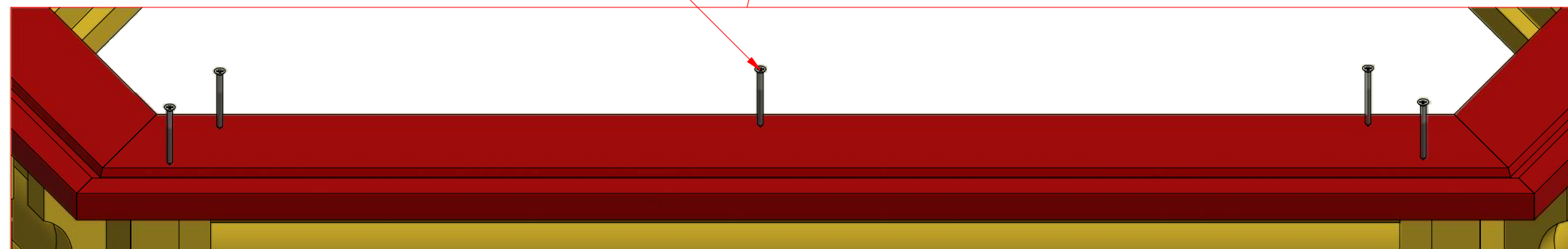
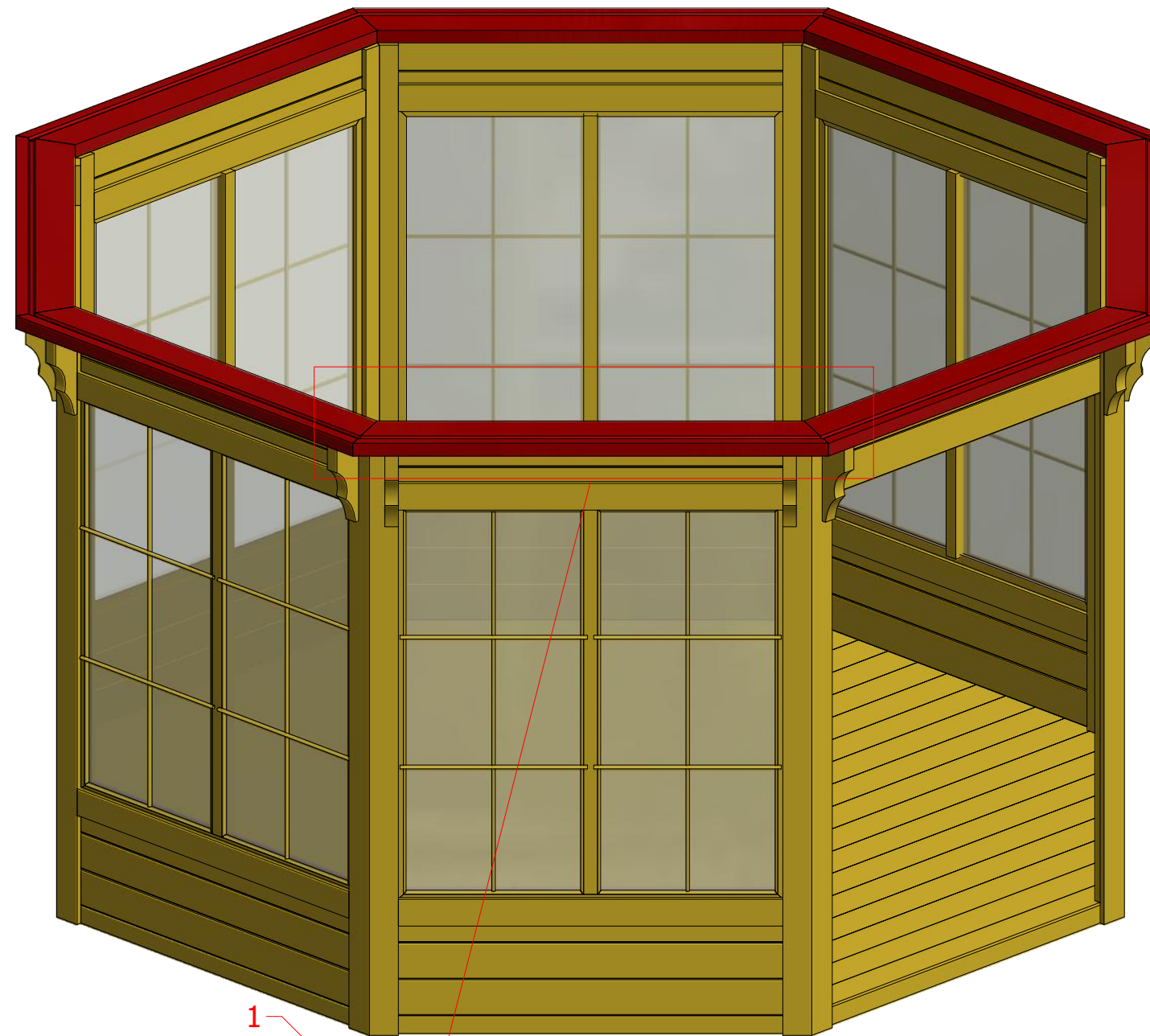
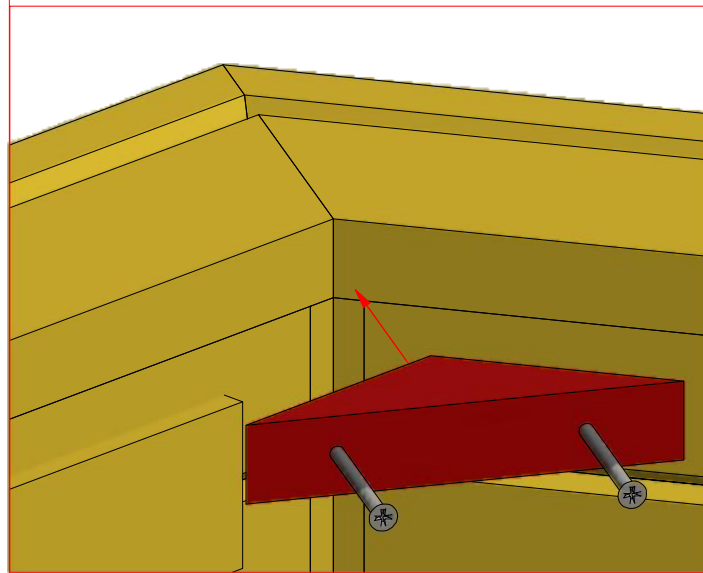


2

# Pavilion 10 m<sup>2</sup>

## Screws

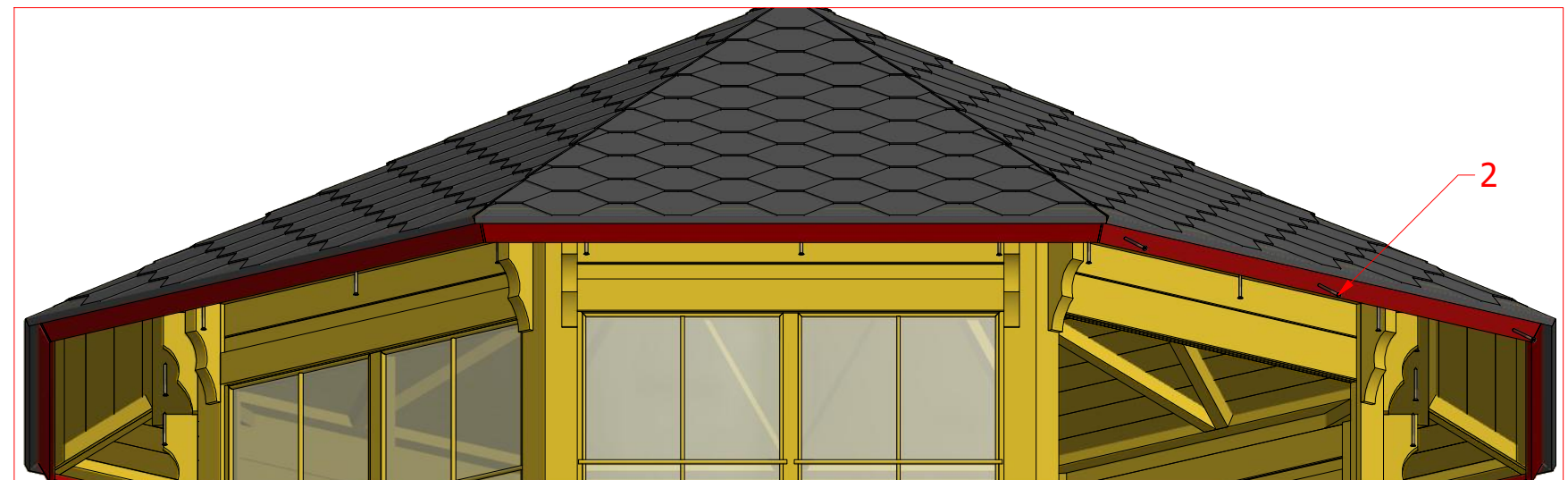
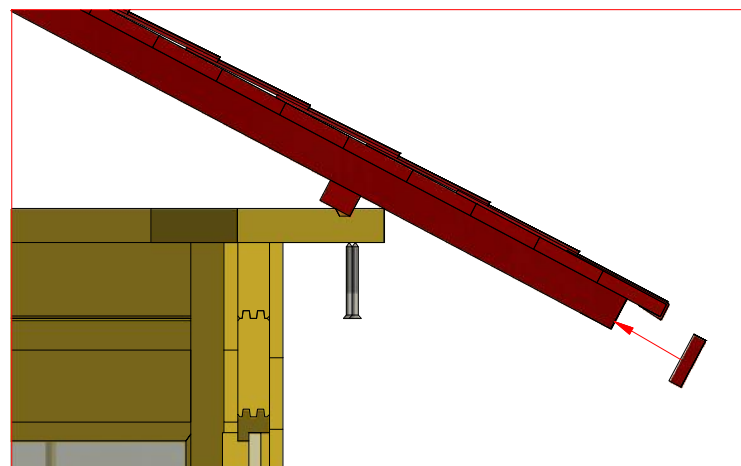
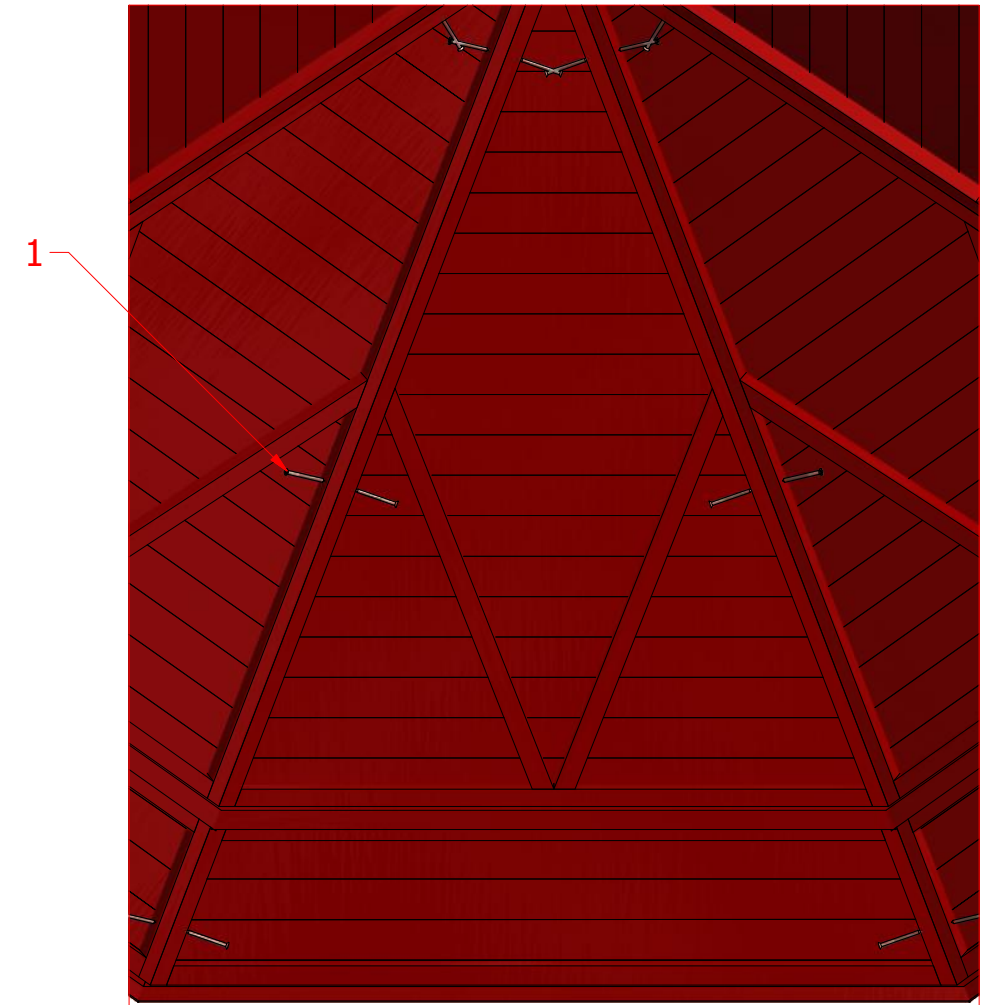
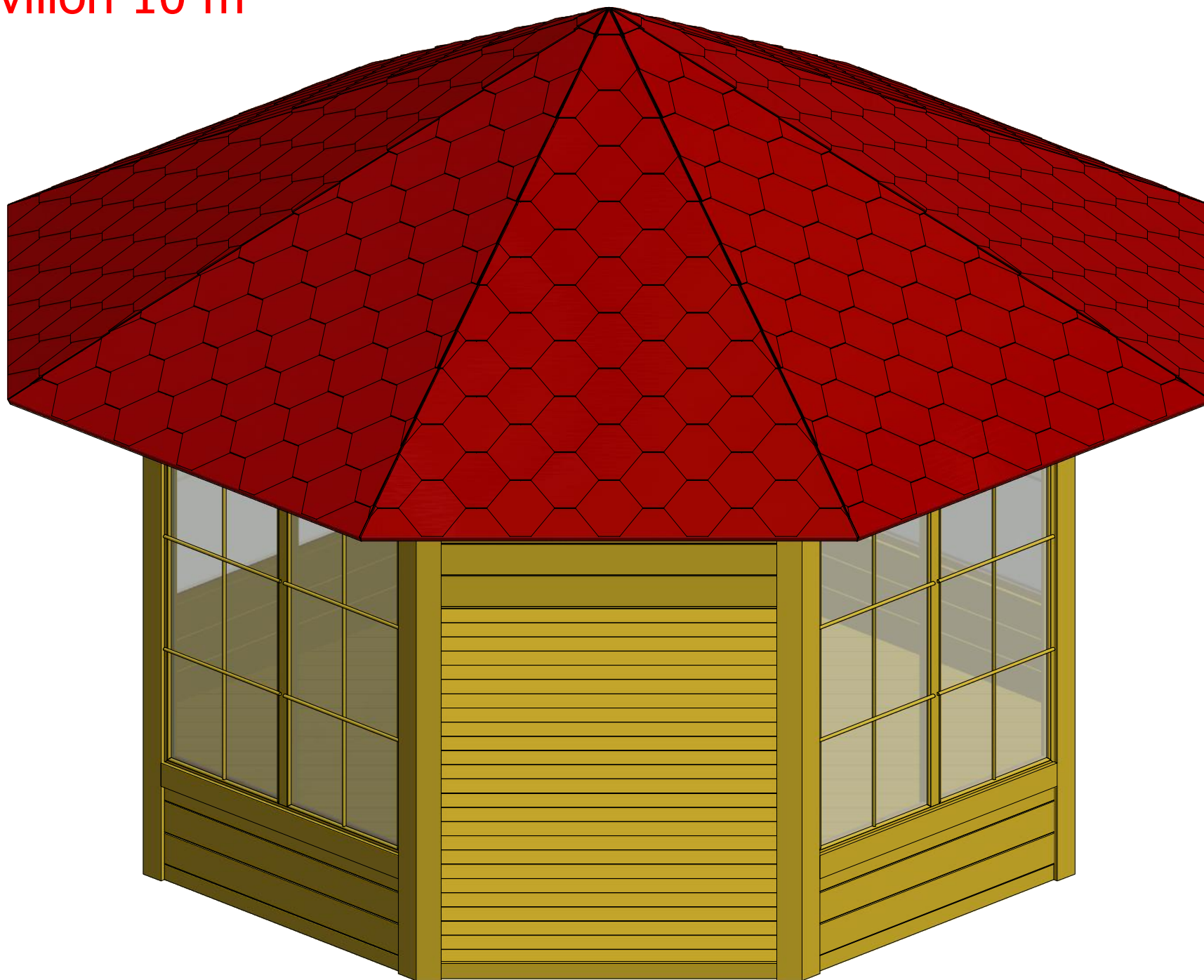
1	S2	4x70	72 pcs



# Pavilion 10 m<sup>2</sup>

## Screws

1	S2	4x70	72 pcs
2	S3	3.5x45	24 pcs

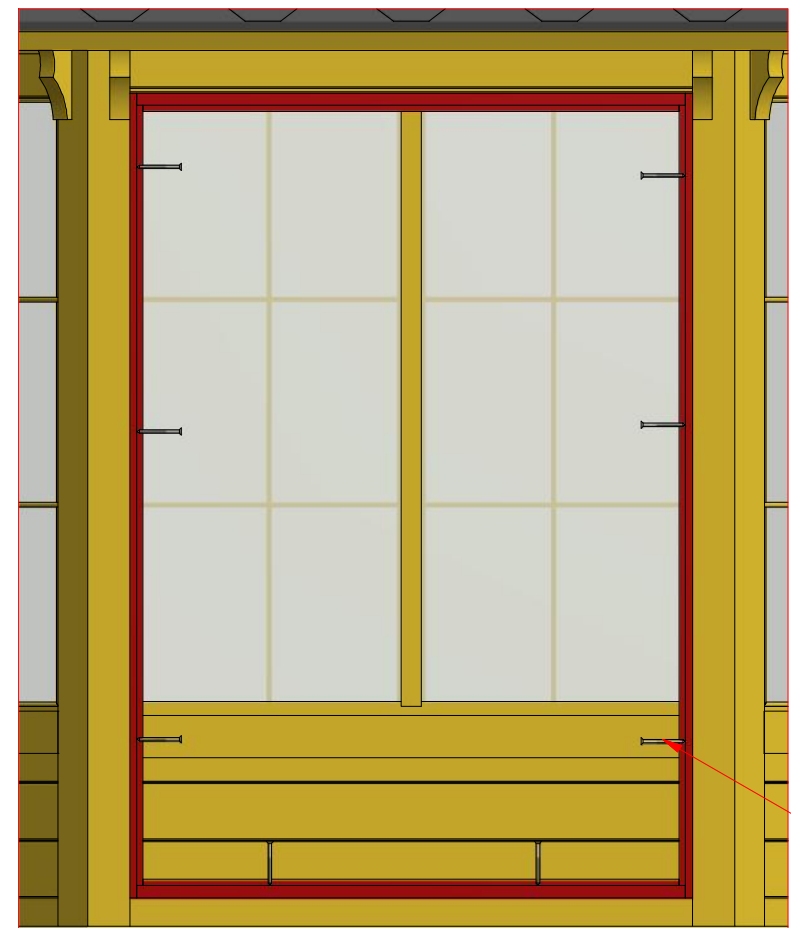
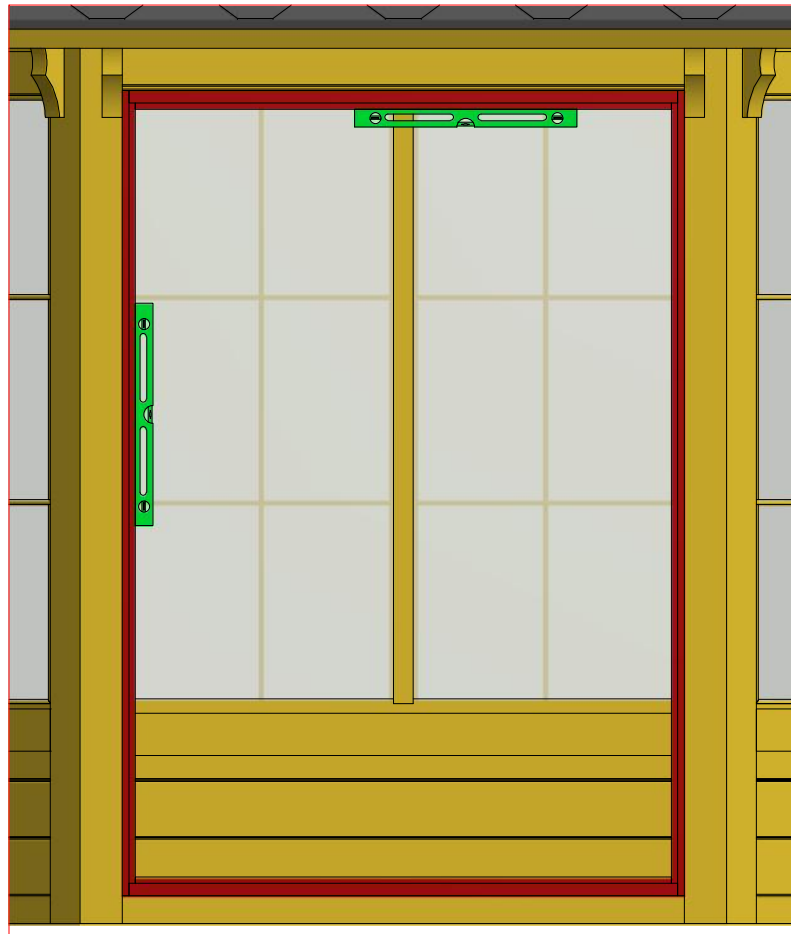




# Pavilion 10 m<sup>2</sup>

## Screws

1	S2	40x70	8 pcs

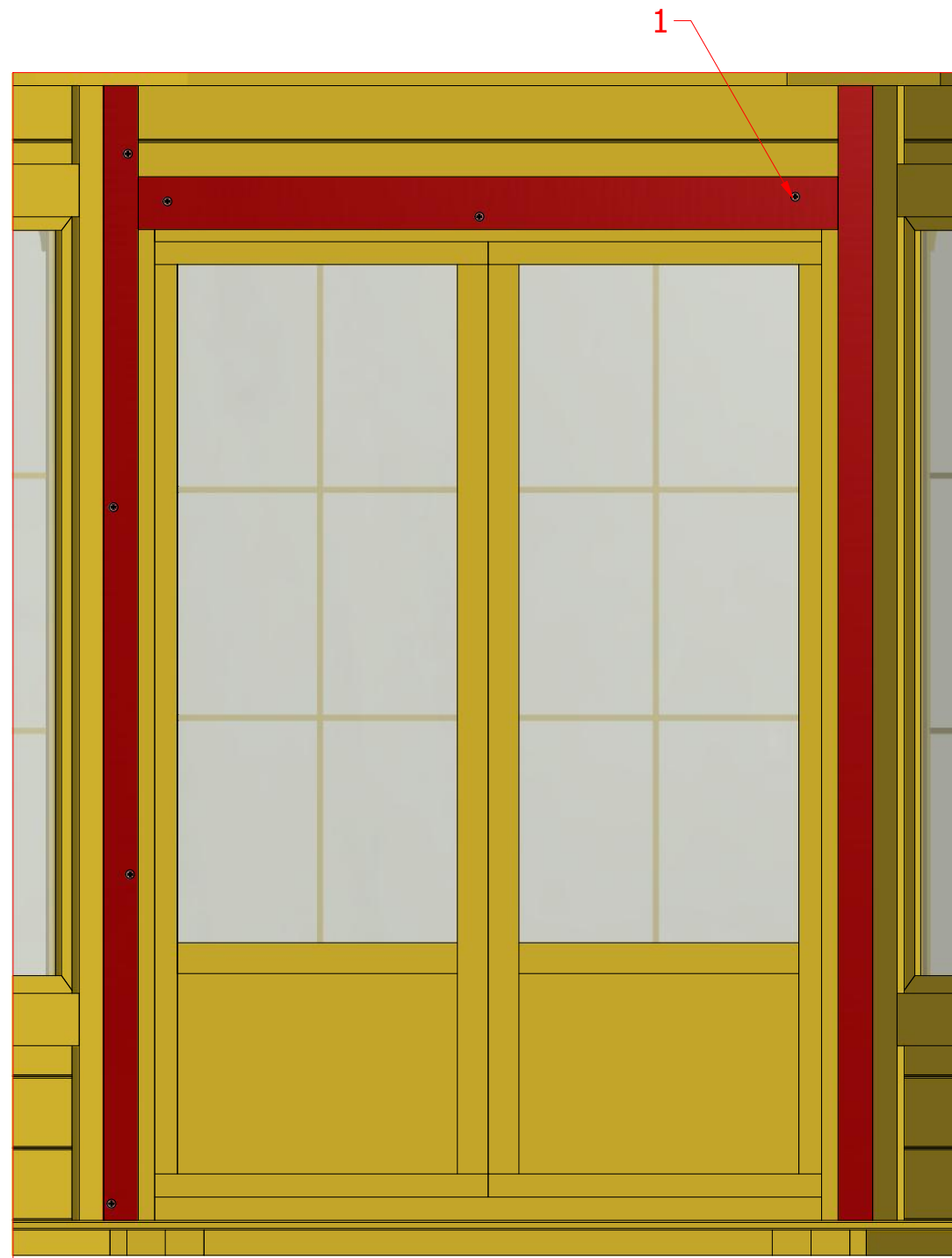


1

# Pavilion 10 m<sup>2</sup>

## Screws

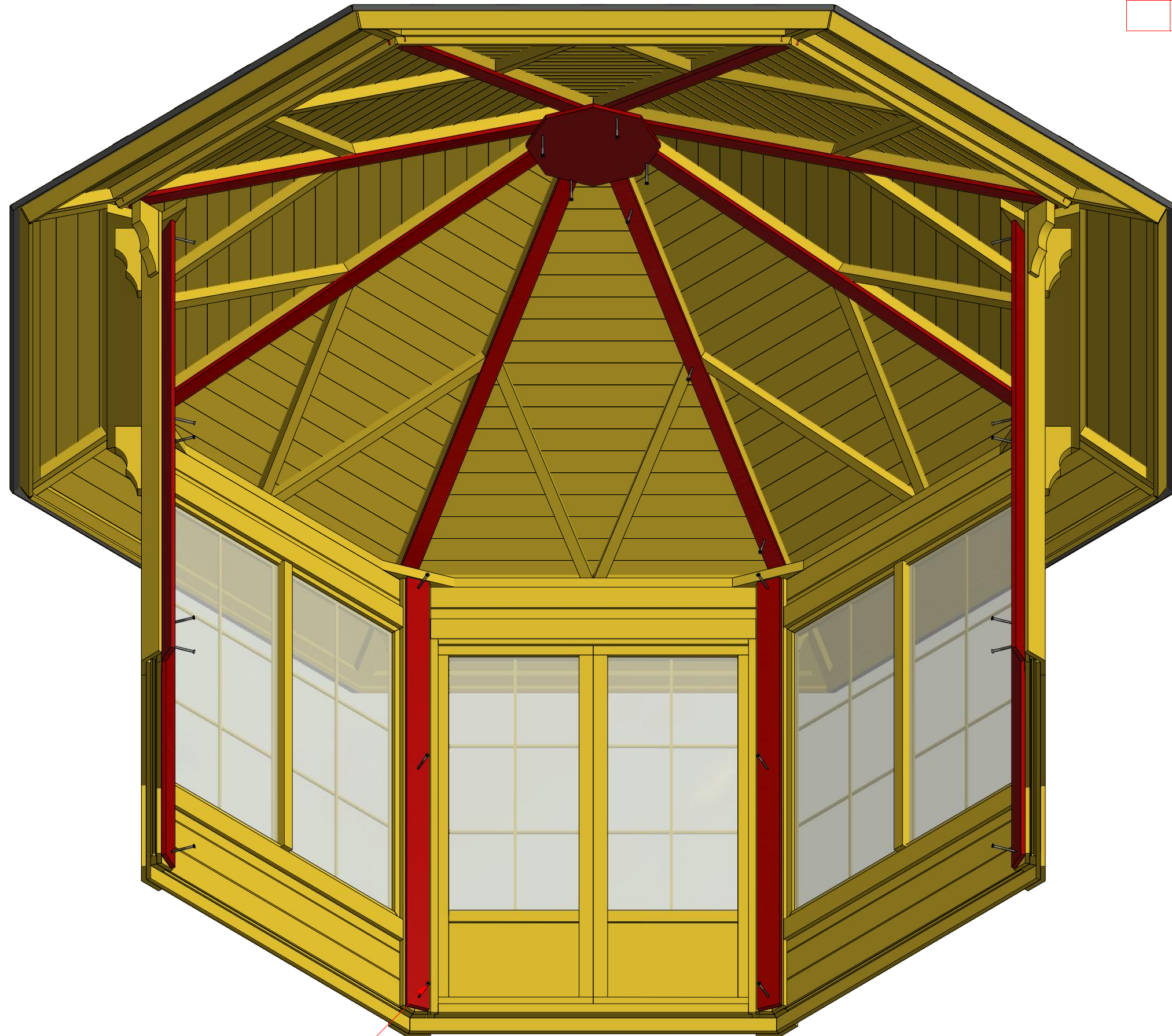
1	S3	3.5x45	14 pcs



# Pavilion 10 m<sup>2</sup>

## Screws

1	S3	3.5x45	52 pcs



1

# Pavilion 10 m<sup>2</sup>

## Screws

1	S2	4x70	4 pcs
2	V1	2.5x25	

