




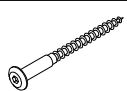






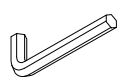
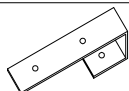

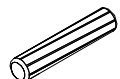

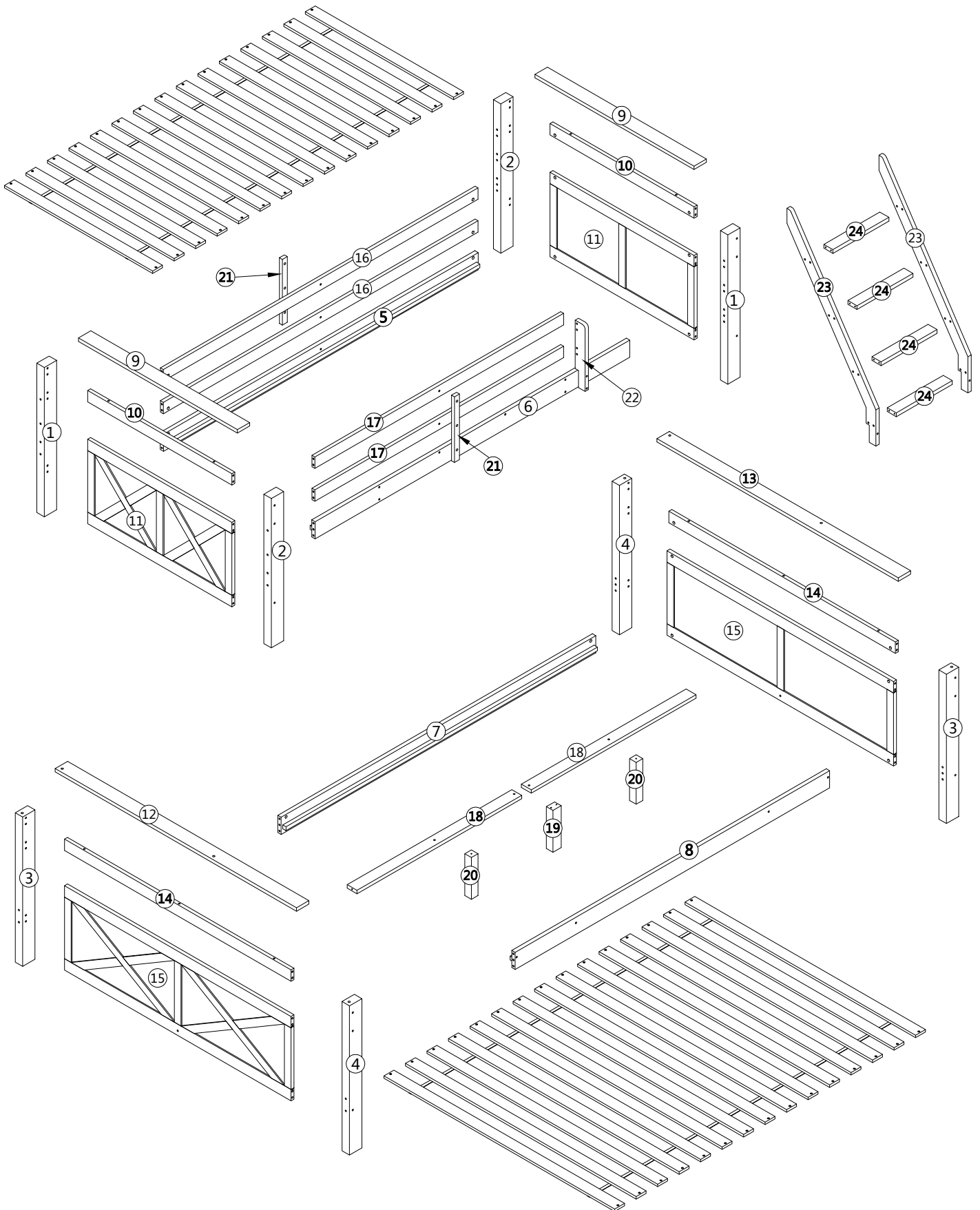


### Hardware : WF302823

A		M6 x 120	22
B		M6 x 90	24
C		M6 x 70	12
D		M6 x 50	4
E		M6 x 30	6
F		Φ6 x 70	2
G		Φ6 x 50	16
H		M7 x 50	4
I			48

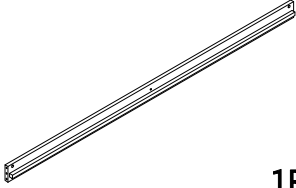
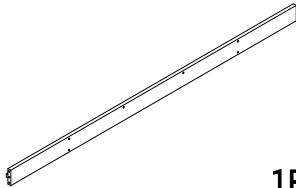
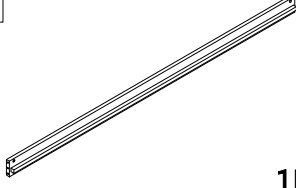
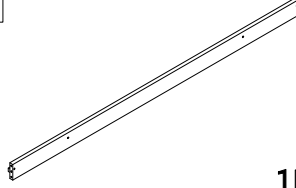
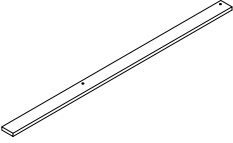
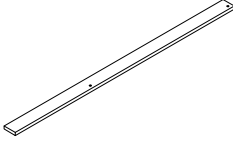
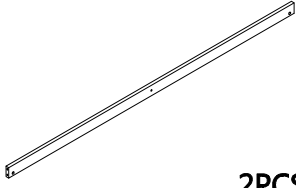
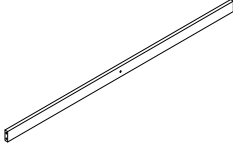
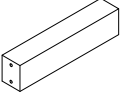
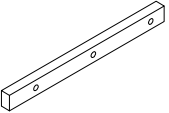
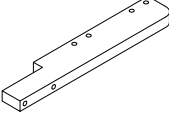
J			10
K		Φ4 x 30	60
L		Φ3.5 x 16	6
M			2
N			2
O		Φ8 x 30	40
P		Φ12 x 80	4
R		Φ8	12

# ASSEMBLY INSTRUCTIONS

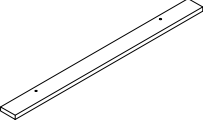
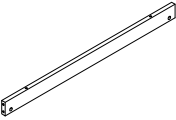
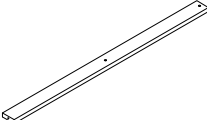
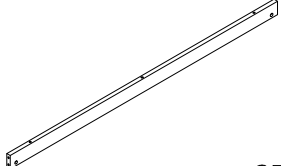
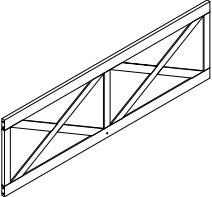
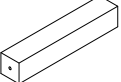
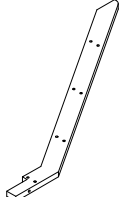

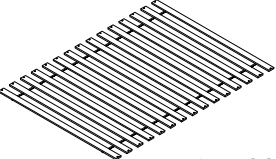


# Dreifaches Etagenbett

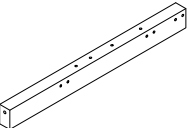
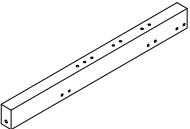
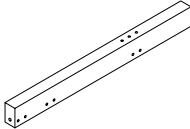
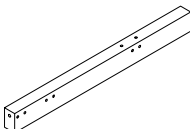
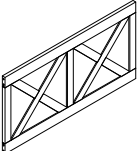
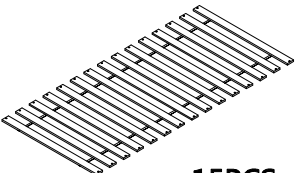
## Part List : WF302821

5  1PC	6  1PC	7  1PC	8  1PC
12  1PC	13  1PC	16  2PCS	17  2PCS
19  1PC	21  2PCS	22  1PC	

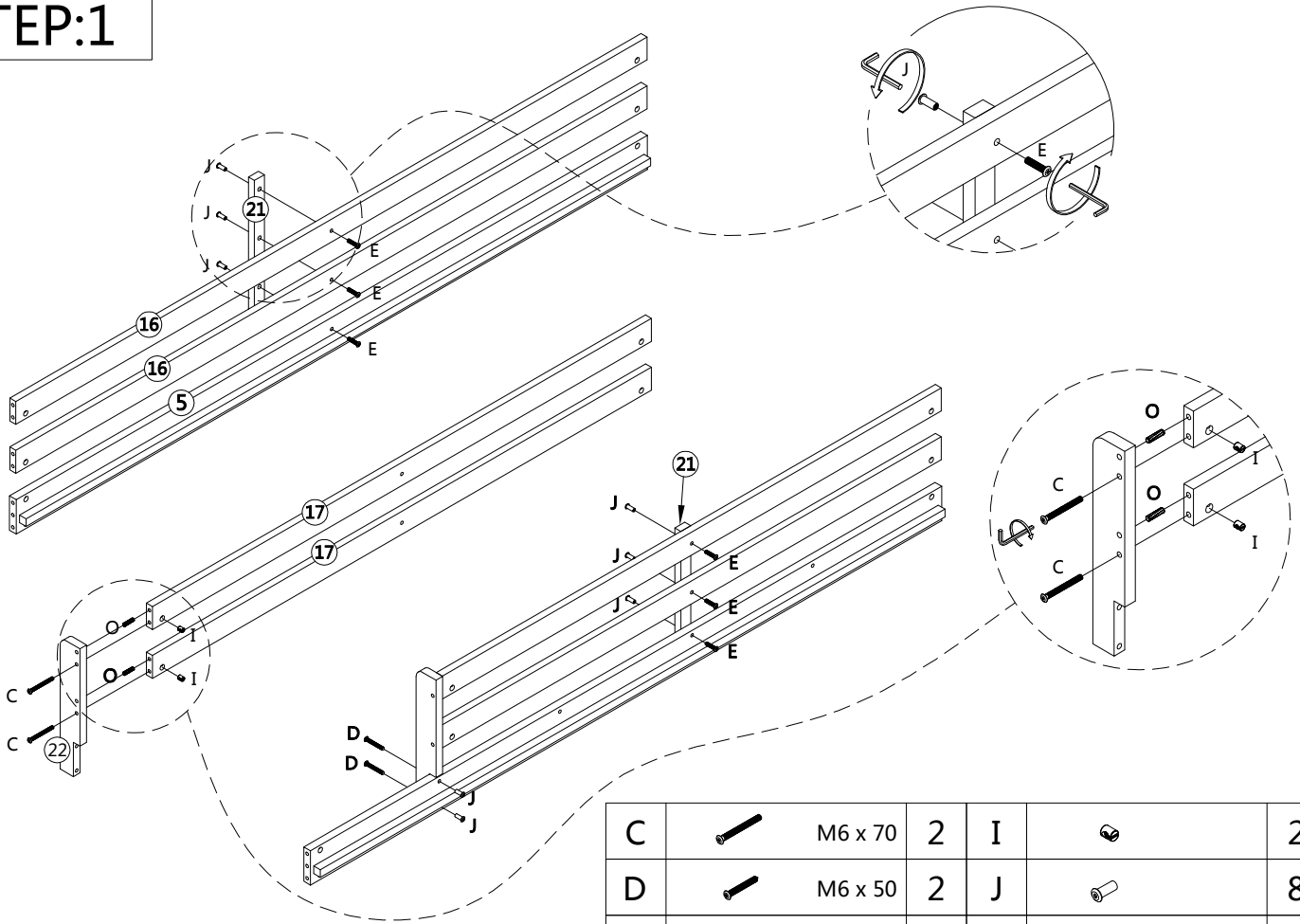
## Part List : WF302822

9  2PCS	10  2PCS	13  2PCS	14  2PCS
15  2PCS	20  2PCS	23  2PCS	24  4PCS
 15PCS x 1			

## Part List : WF302823

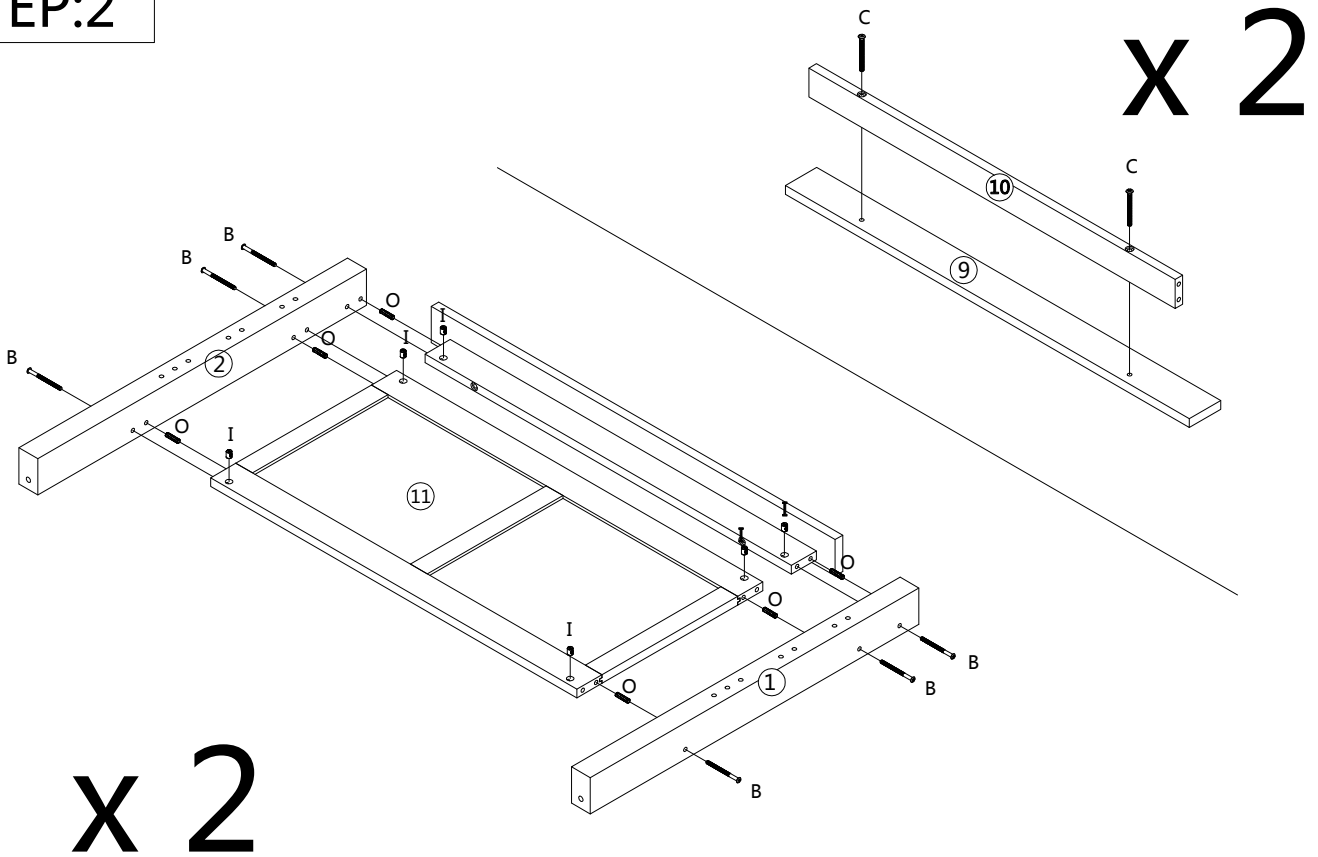
1  2PCS	2  2PCS	3  2PCS	4  2PCS
11  2PCS	 15PCS x 1		

# STEP:1



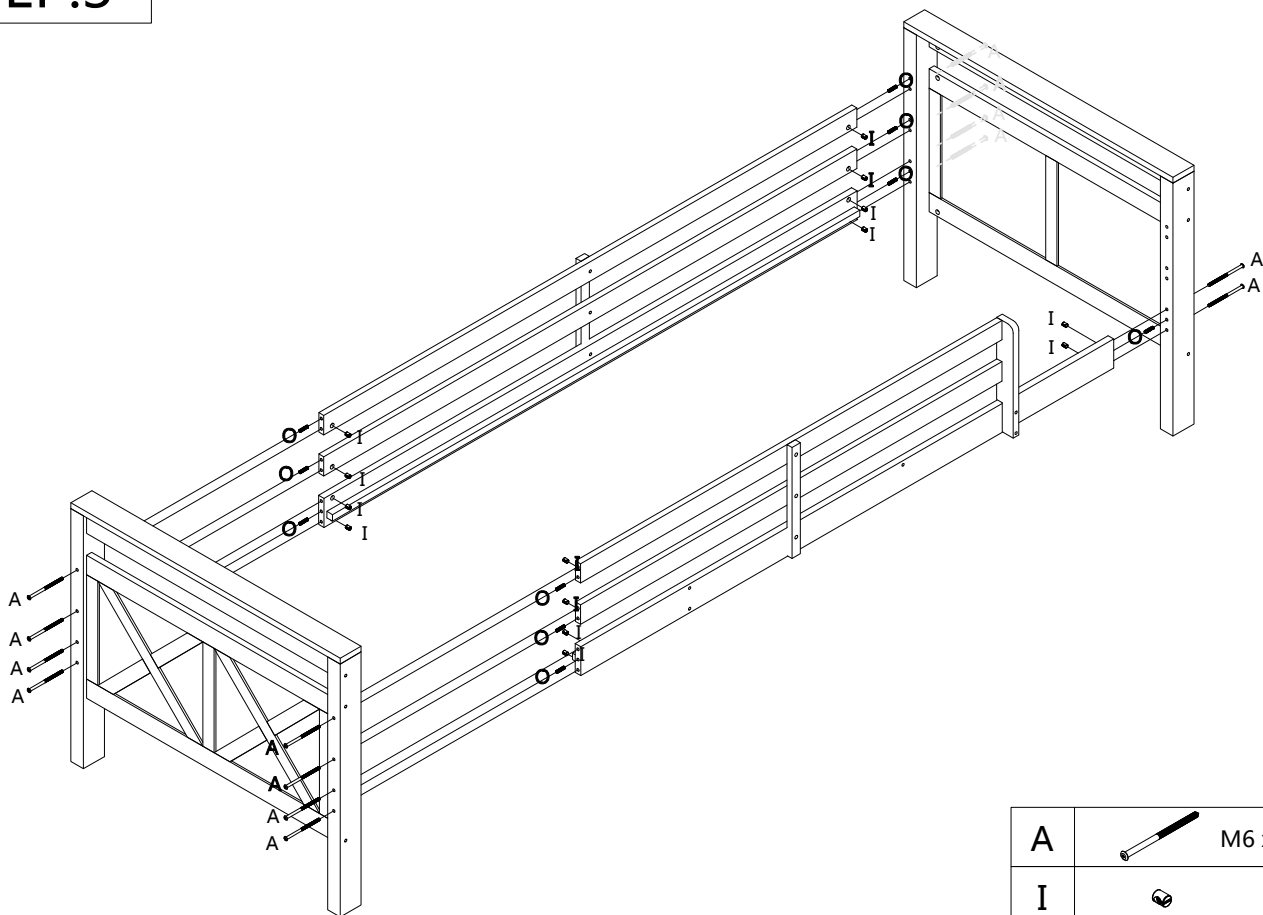
C		M6 x 70	2	I		2	
D		M6 x 50	2	J		8	
E		M6 x 30	6	O		Φ8 x 30	2




# STEP:2



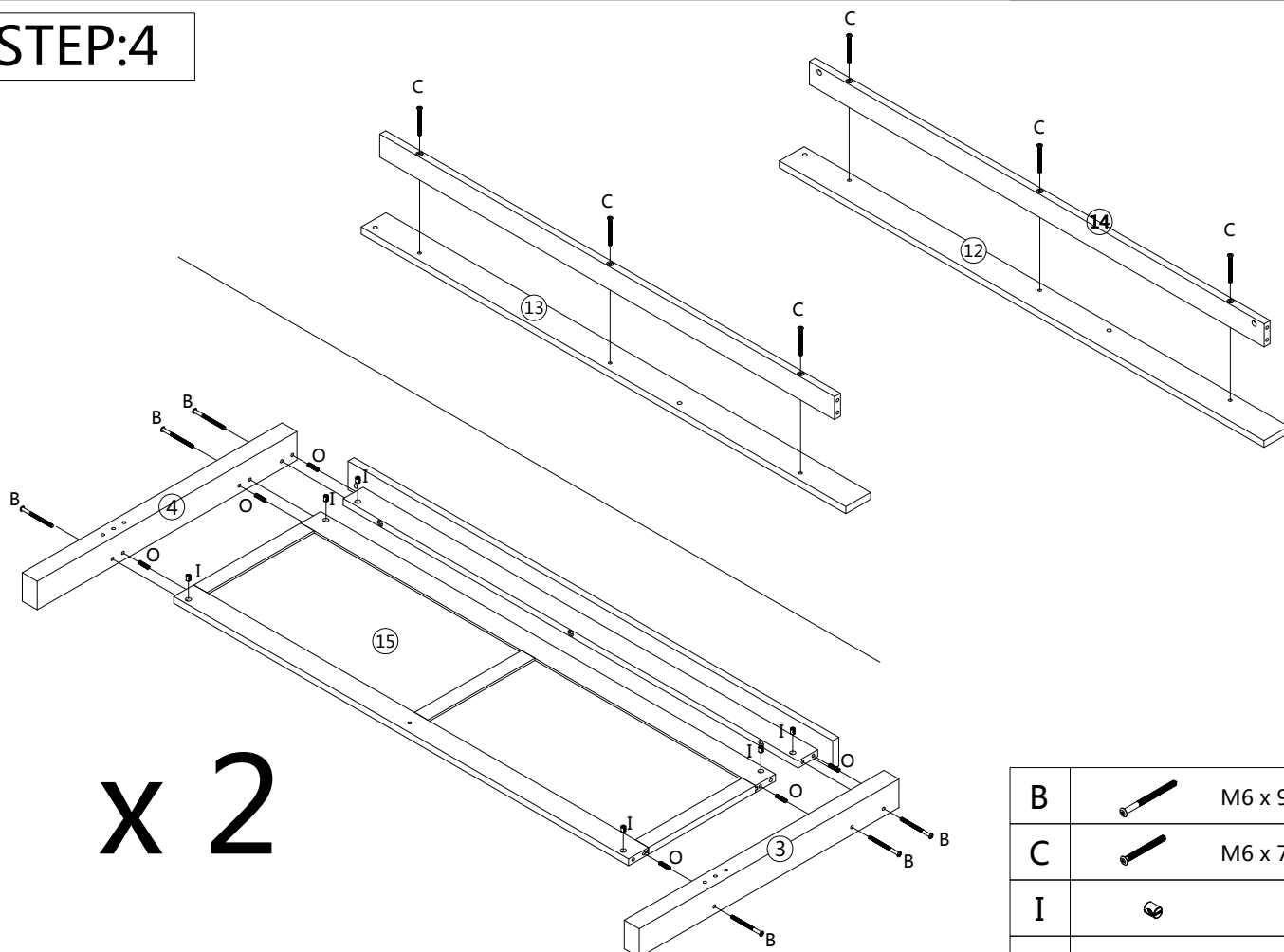
B		M6 x 90	12	I		12	
C		M6 x 70	4	O		Φ8 x 30	12

# STEP:3


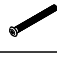




A		M6 x 120	14
I			14
O		Φ8 x 30	10

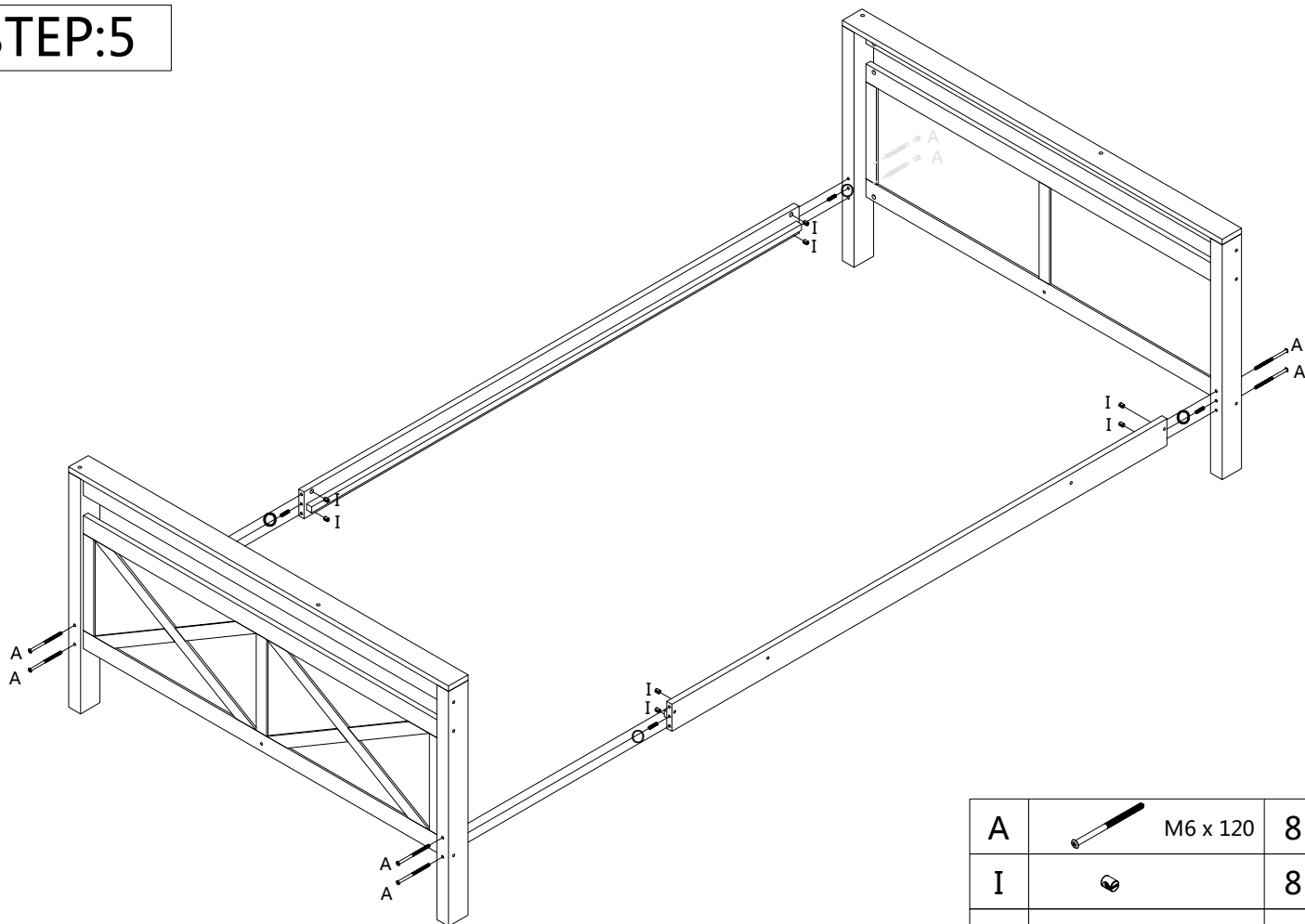
# STEP:4






x 2

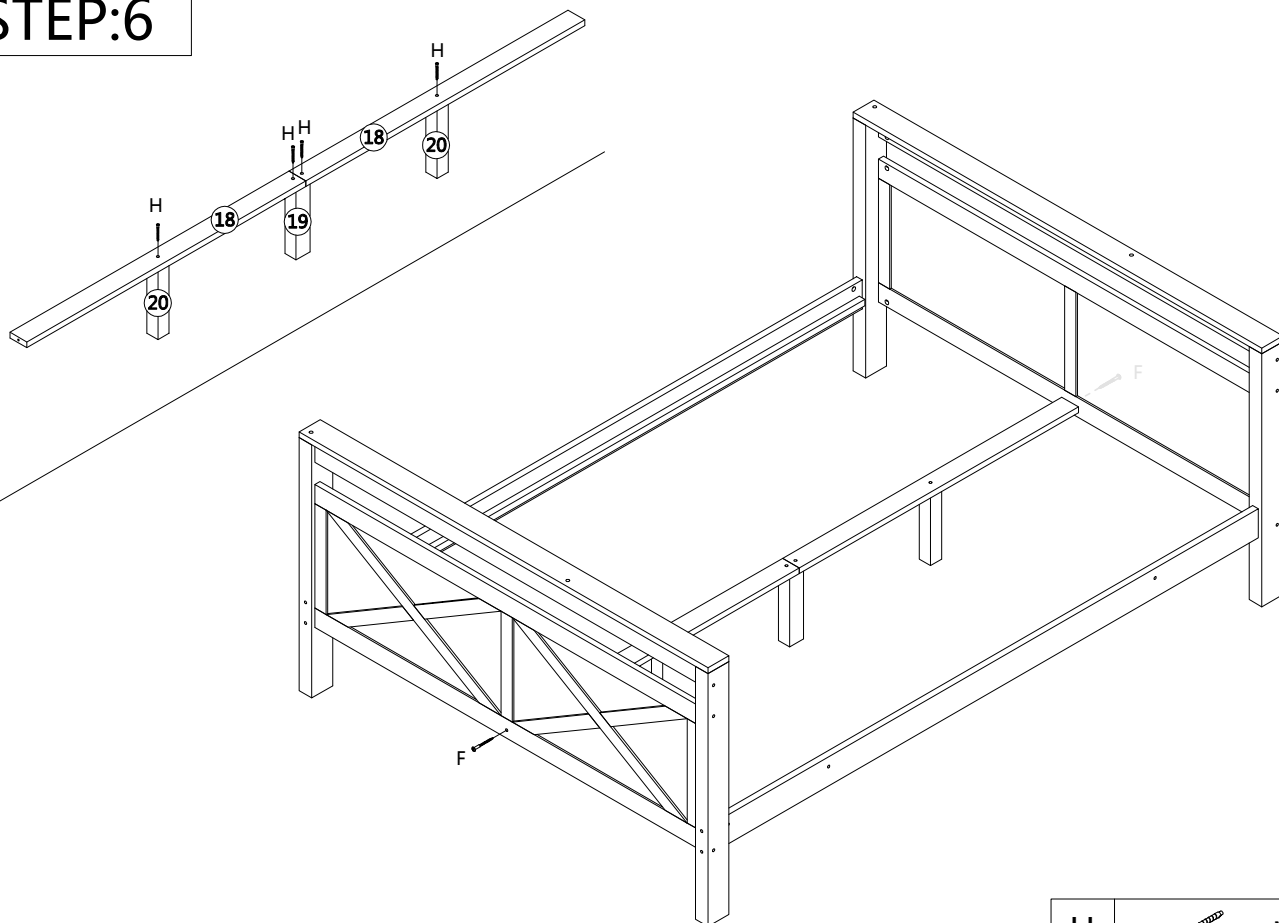
B		M6 x 90	12
C		M6 x 70	6
I			12
O		Φ8 x 30	12



# STEP:5



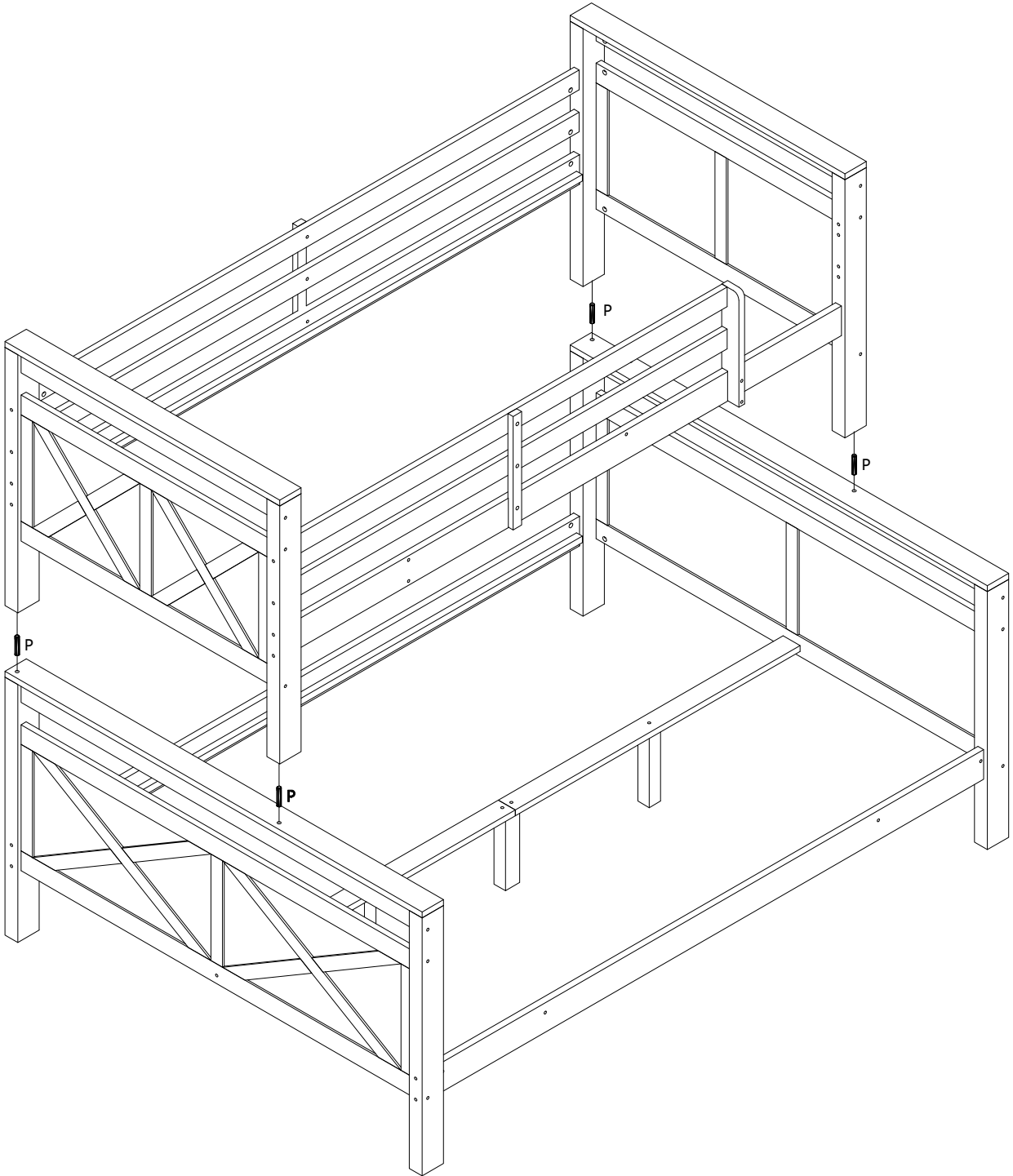
A		M6 x 120	8
I			8
O		Φ8 x 30	4

# STEP:6



H		M7 x 50	4
F		Φ6 x 70	2

# STEP:7



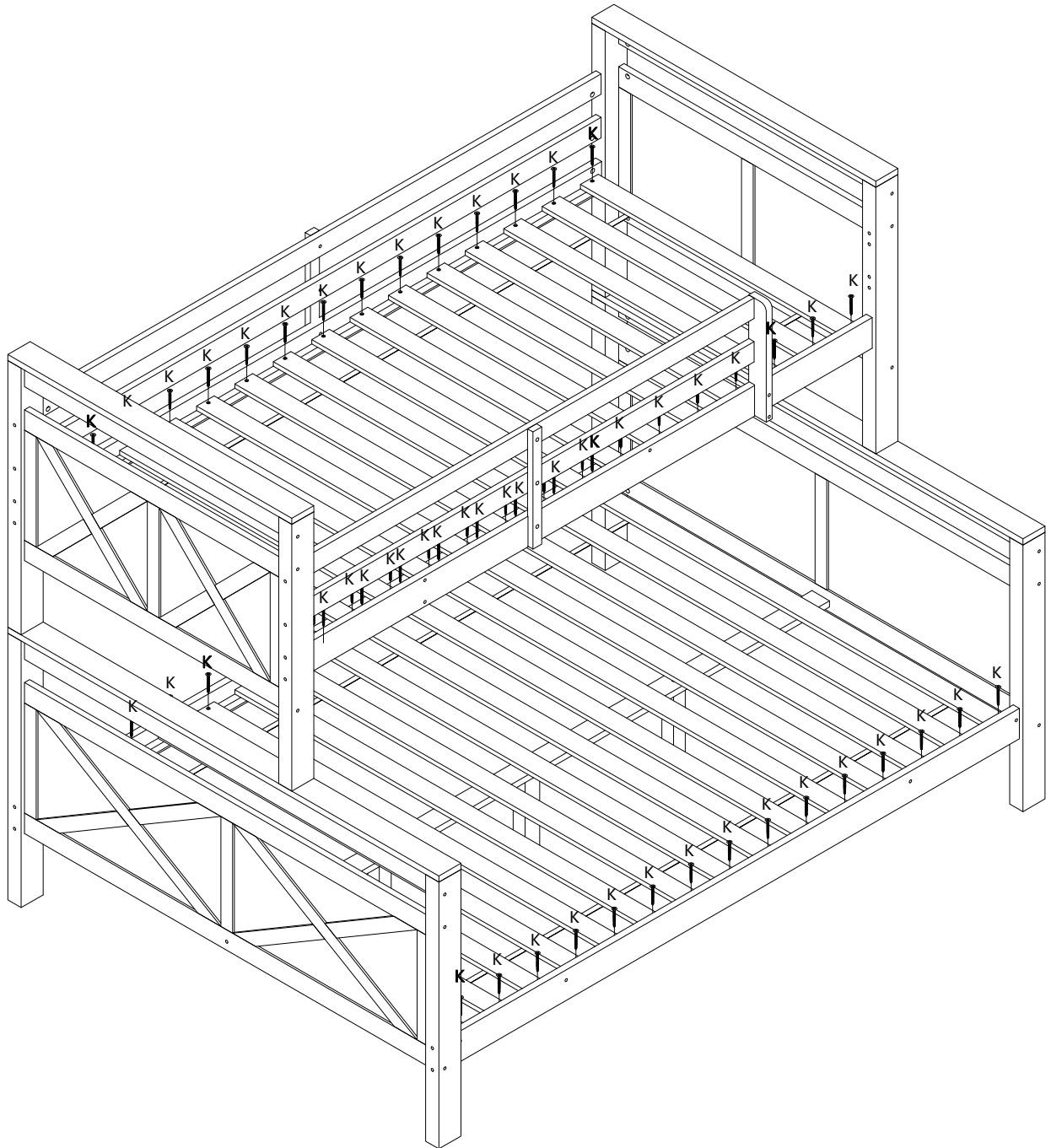
P



Φ12 x 80

4

# STEP:8



K

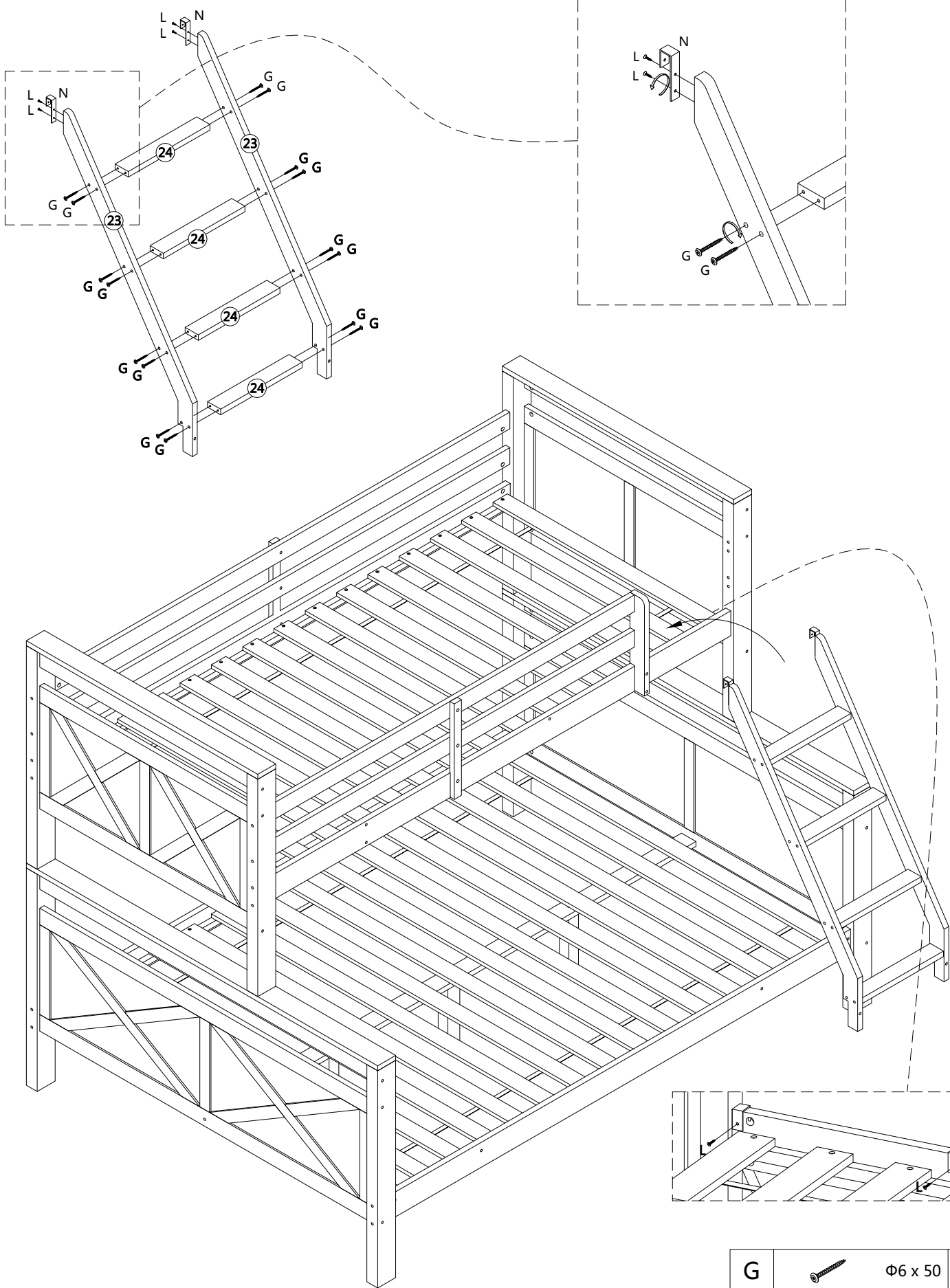



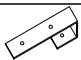

Φ4 x 30

60

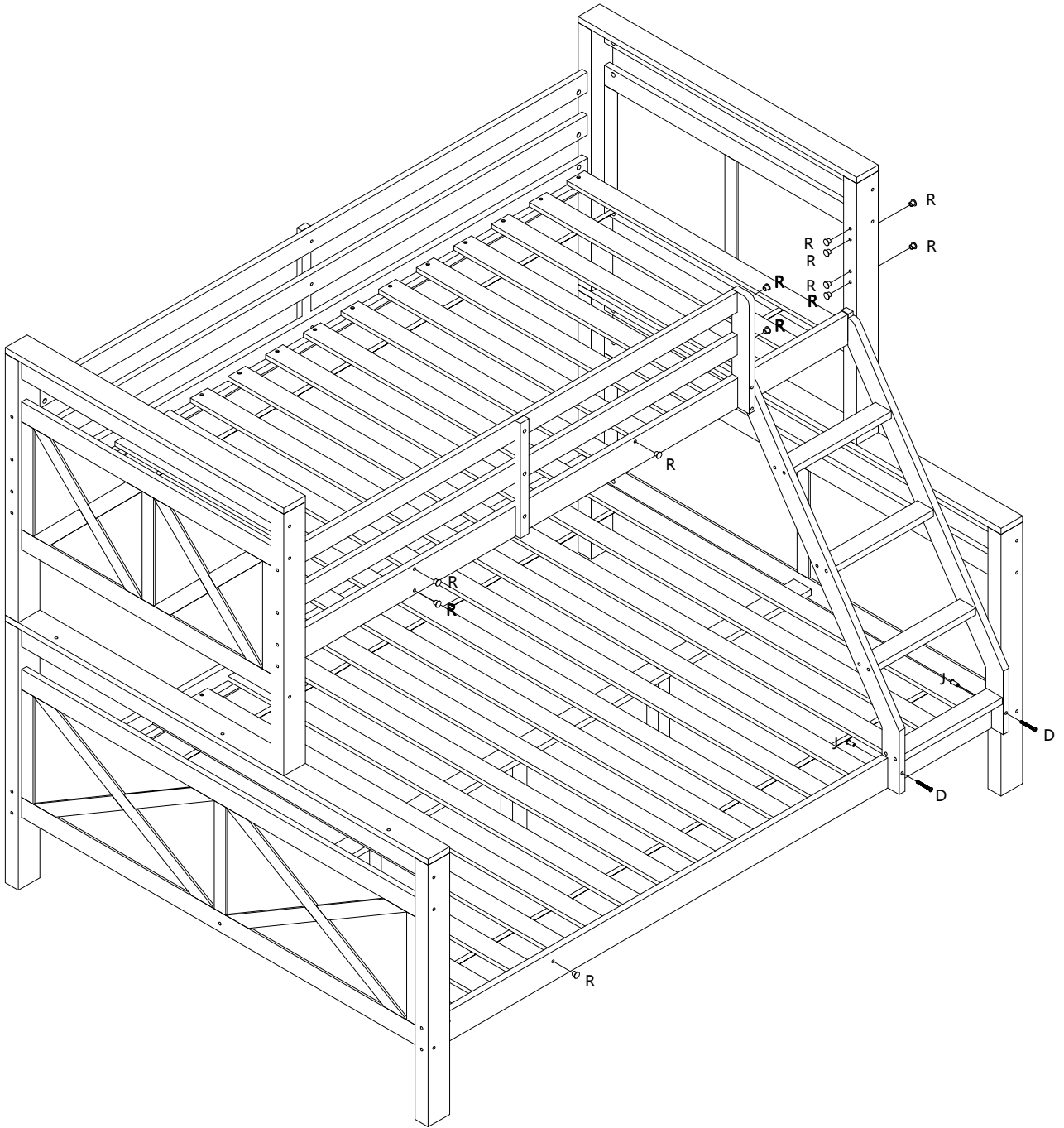




# STEP:9



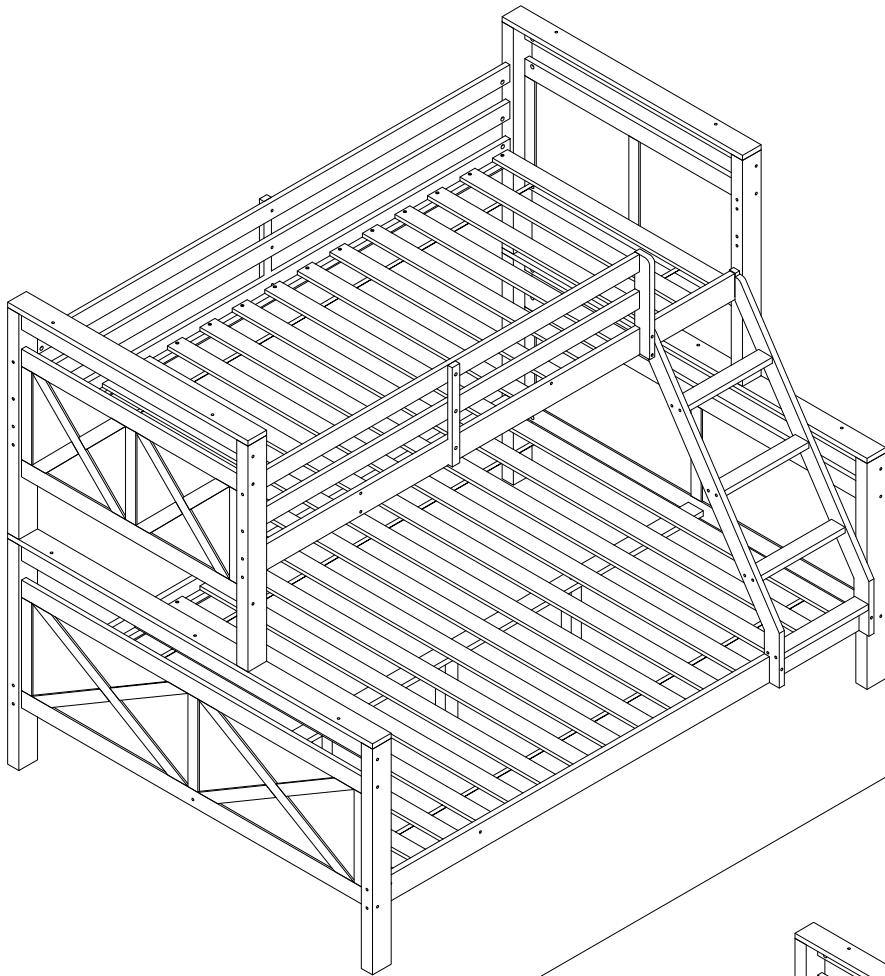
G		Φ6 x 50	16
N			2
L		Φ3.5 x 16	6

# STEP:10

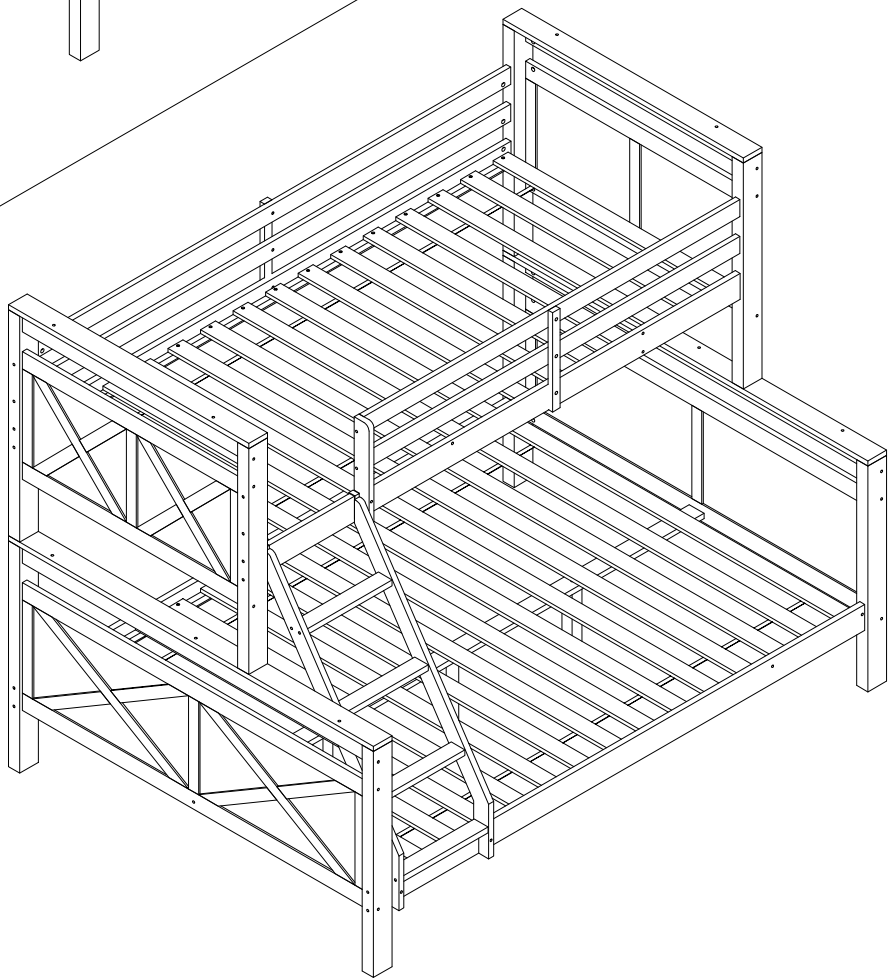


D		M6 x 50	2
J			2
R		φ8	12

**STEP:11**



**R**



**L**