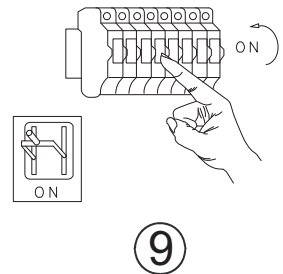
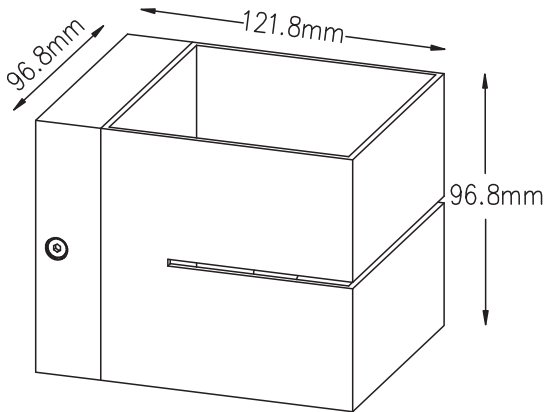
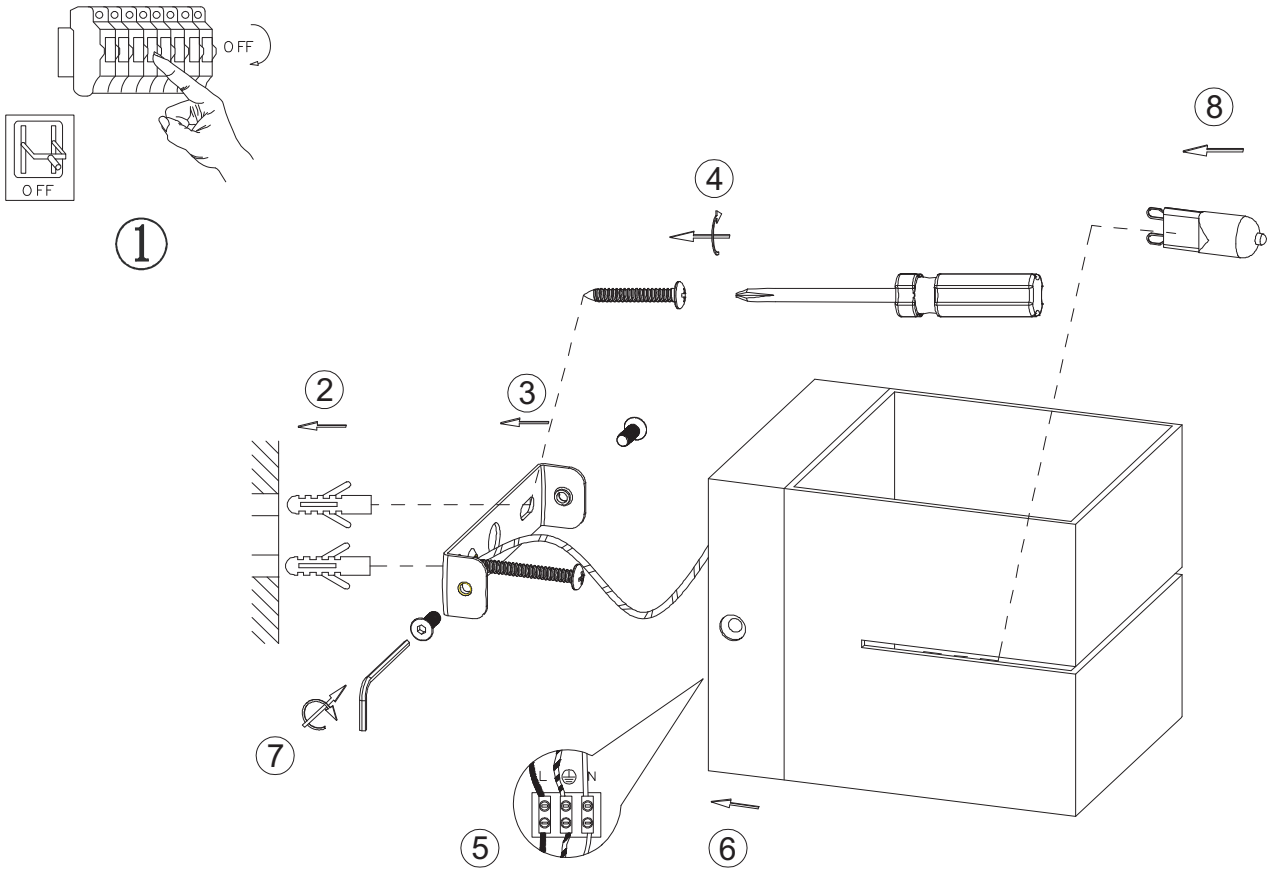


INSTRUCTION MANUAL



Transfer WL2



---Suitability for use "indoors", the related ambient temperature is 25°C