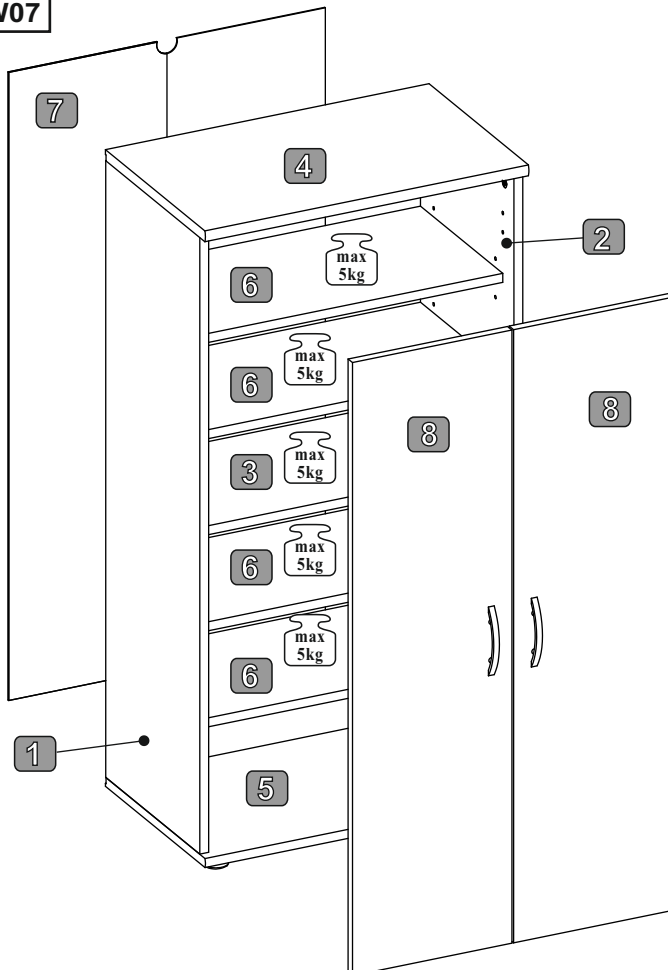


 2x U01	 4x W05	 4x W50	 1x K01	 25x G01	 4x S02
 4x W21	 8x D01	 8x T01	 8x T02	 8x W01	 4x Z02
 4x Z04	 16x E01	 2x E02	 1x F01	 1x F11	 1x P01
 2x W07					

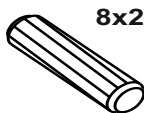
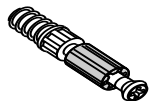
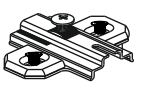
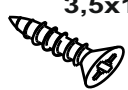



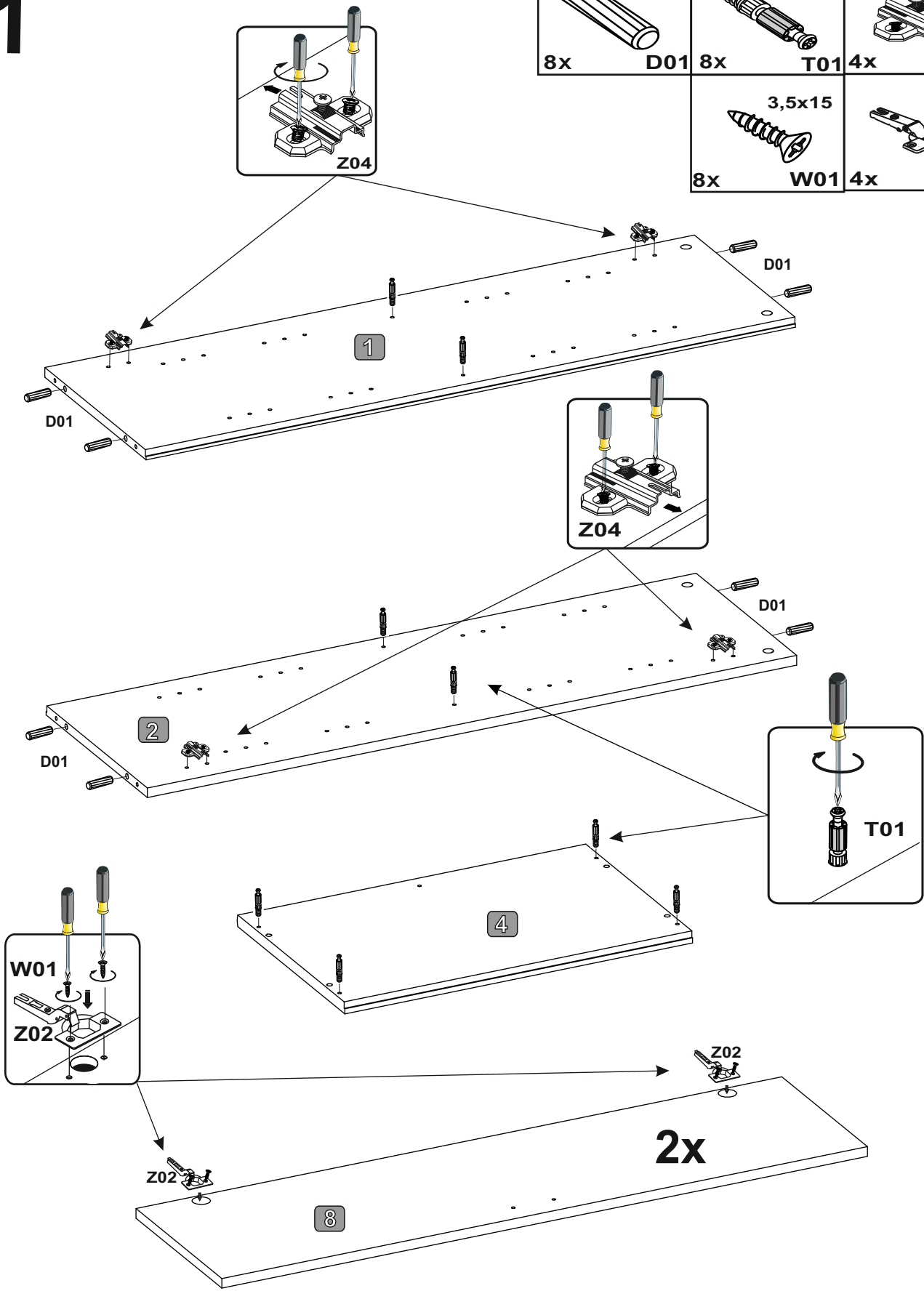
NR	DIM	QTE	COLLI
1	1027x320x15	1	1/1
2	1027x320x15	1	1/1
3	519x280x15	1	1/1
4	550x340x18	1	1/1
5	550x340x15	1	1/1
6	519x280x15	4	1/1
7	1046x538x2	1	1/1
8	1021x271x15	2	1/1

0 10 20 30 40 50 60 70 80 90 100

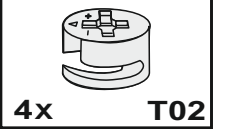
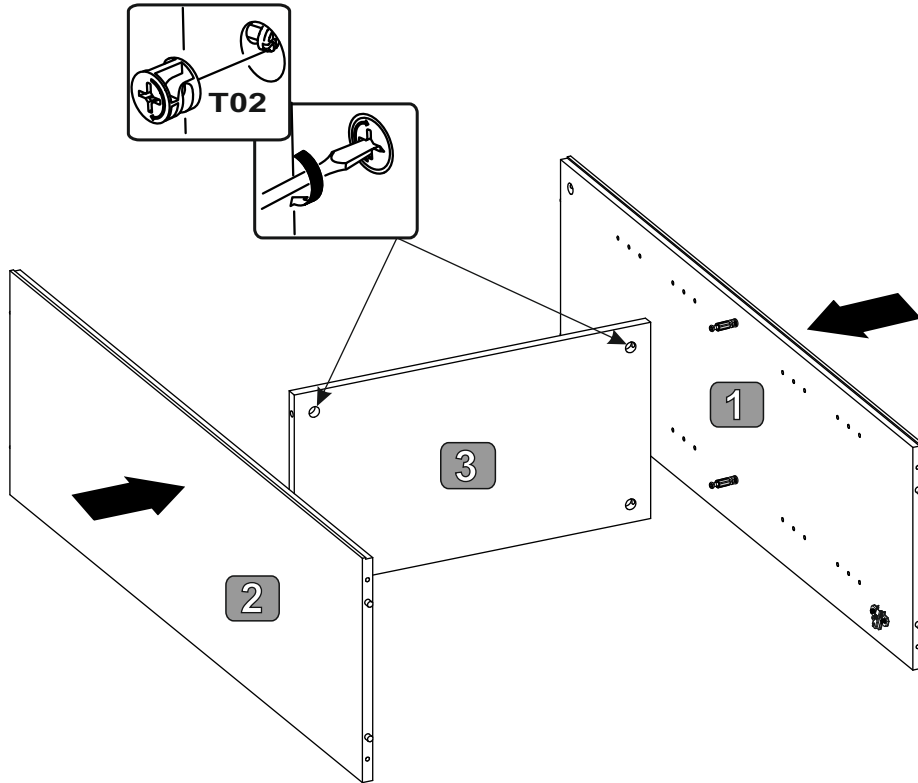


# 1

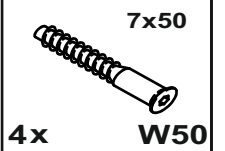
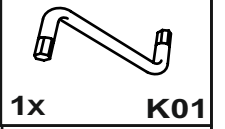
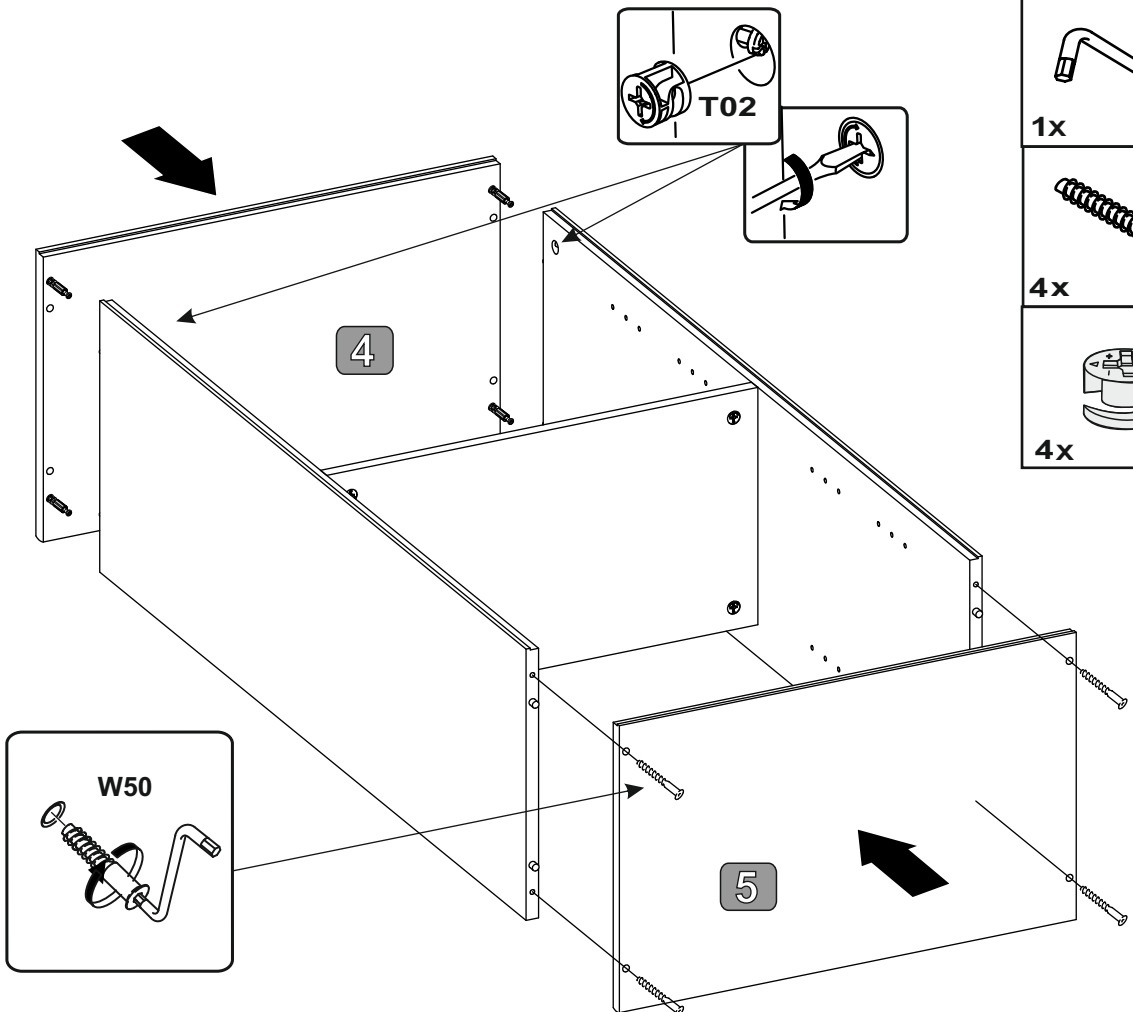
 8x28 8x D01	 8x T01	 4x Z04
	 3,5x15 8x W01	 KR-0 4x Z02



## 2

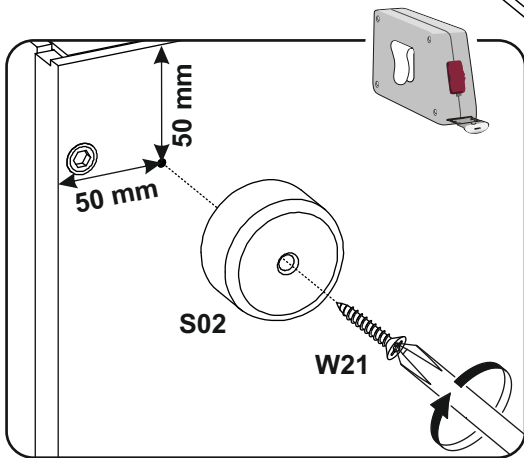
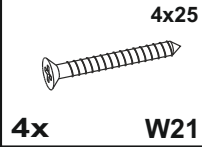
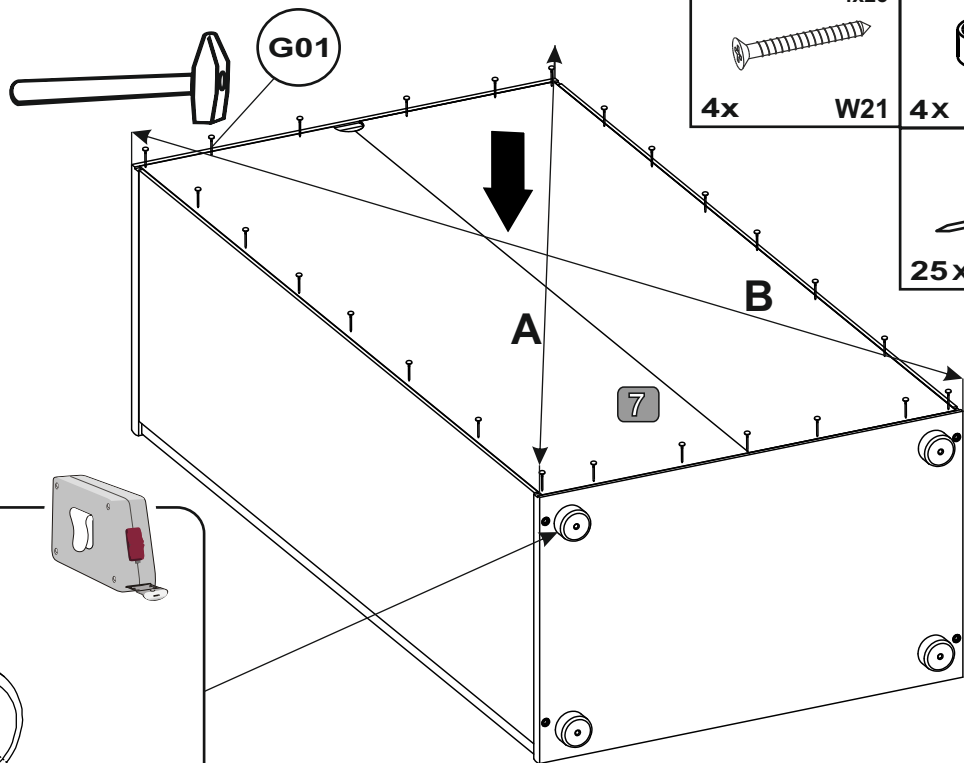


## 3

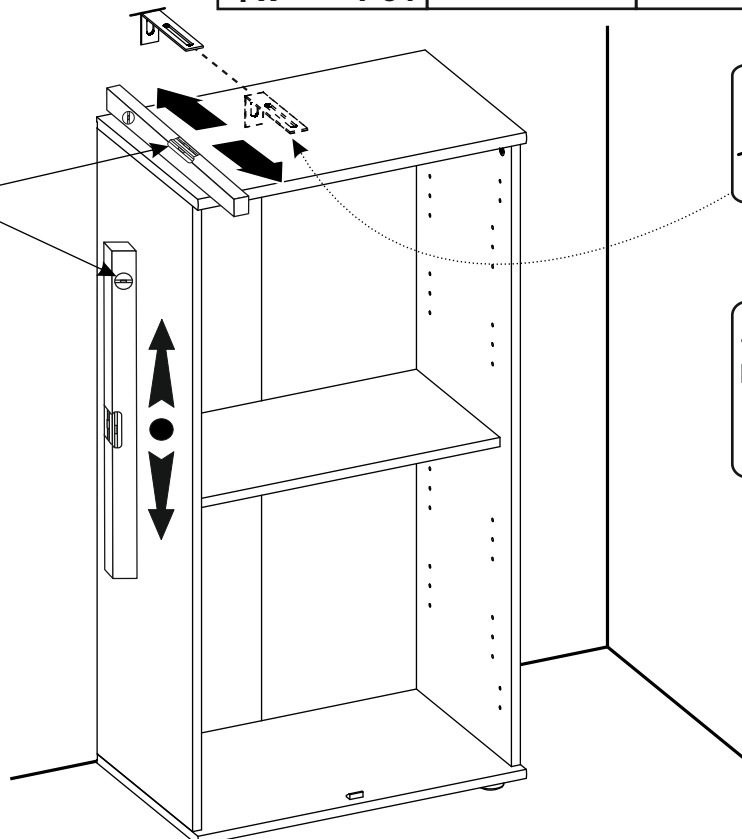
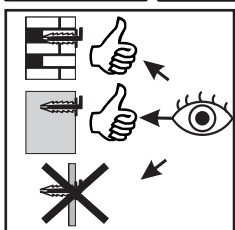
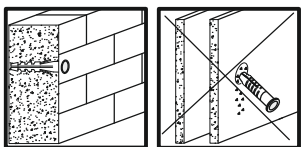
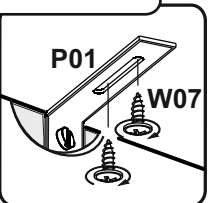
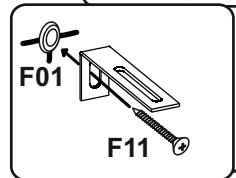
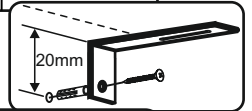
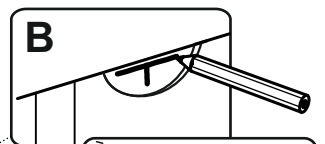
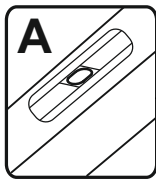
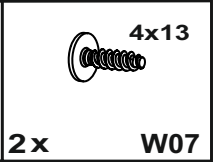
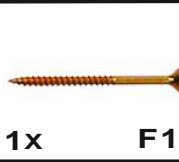
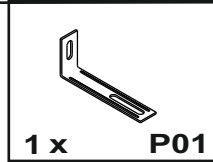


## 4

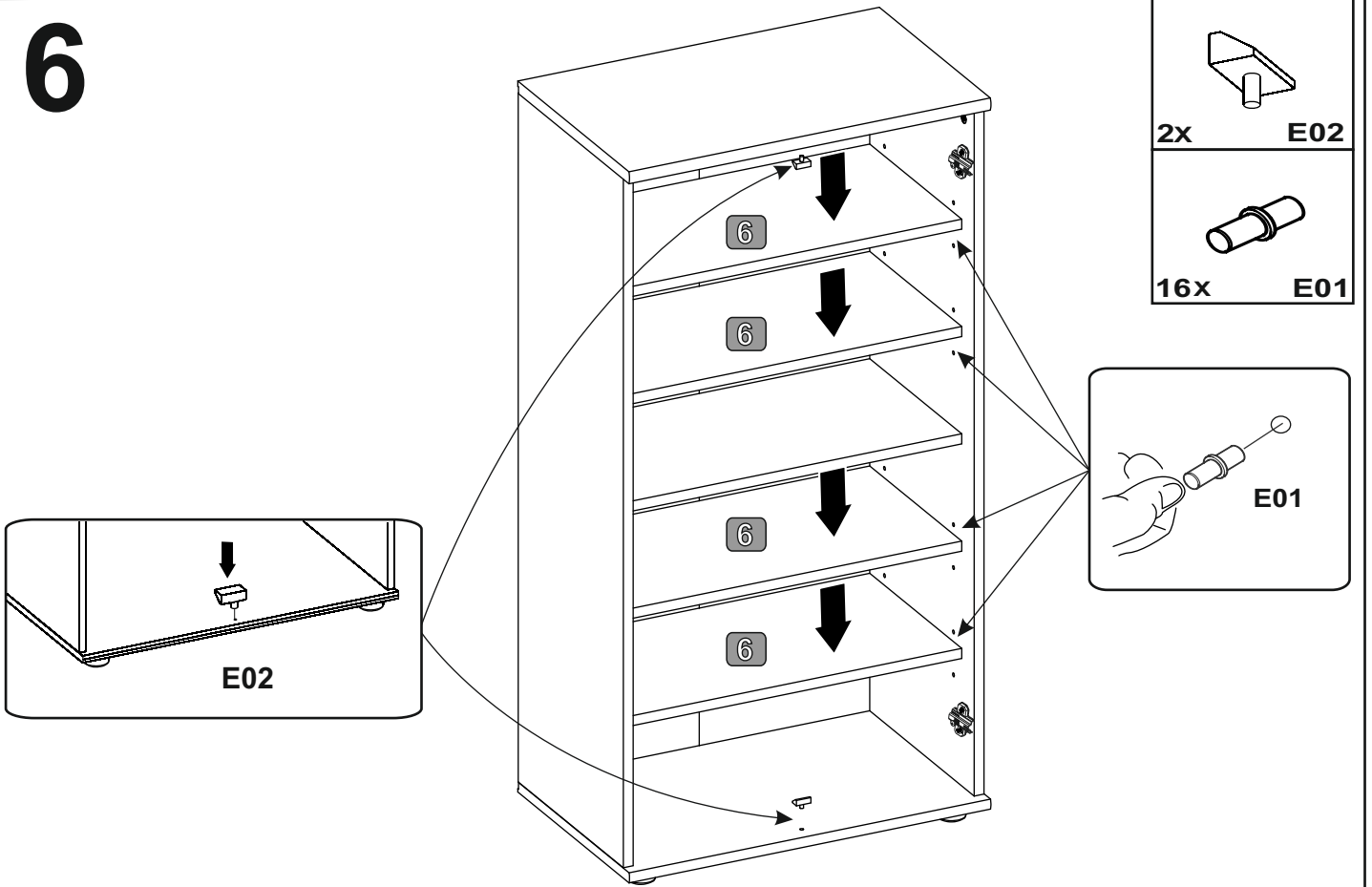
A=B



## 5



## 6



## 7

