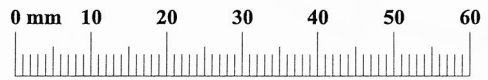
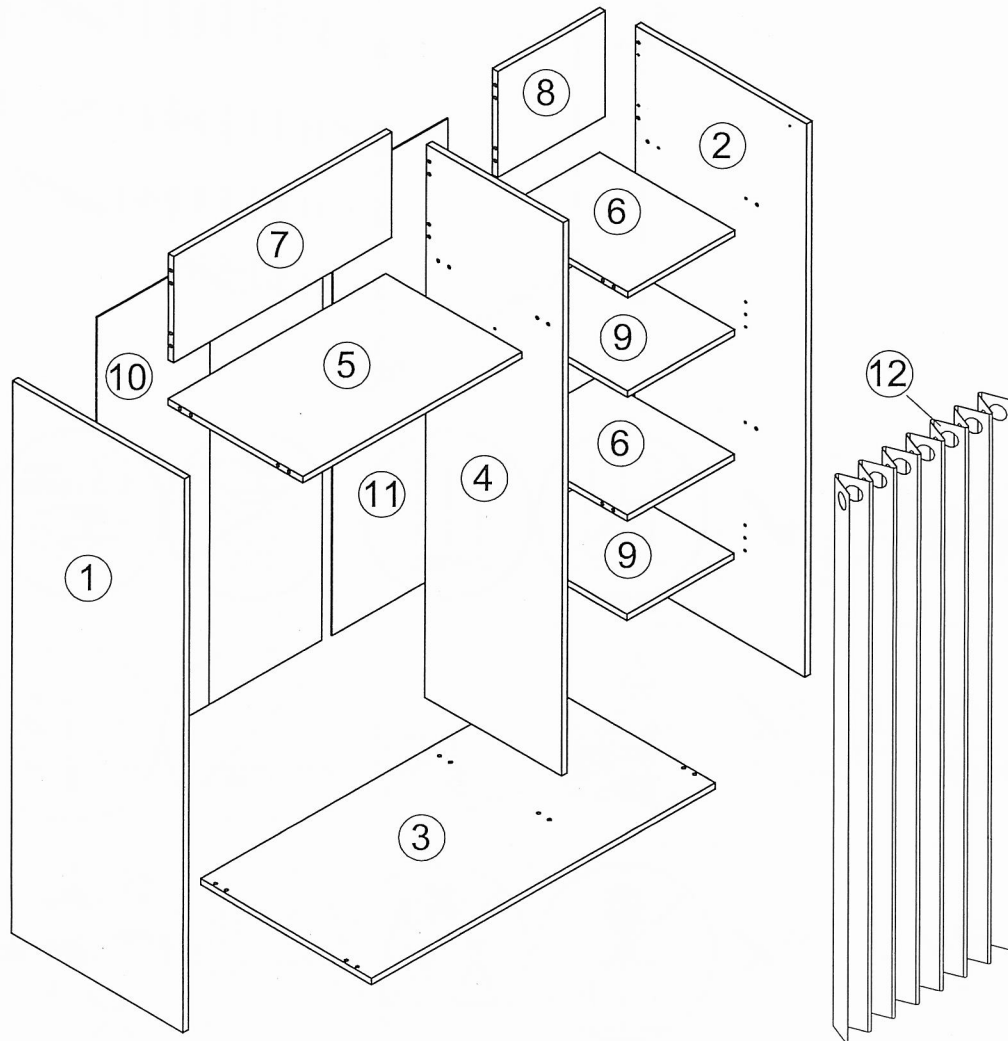


1/2

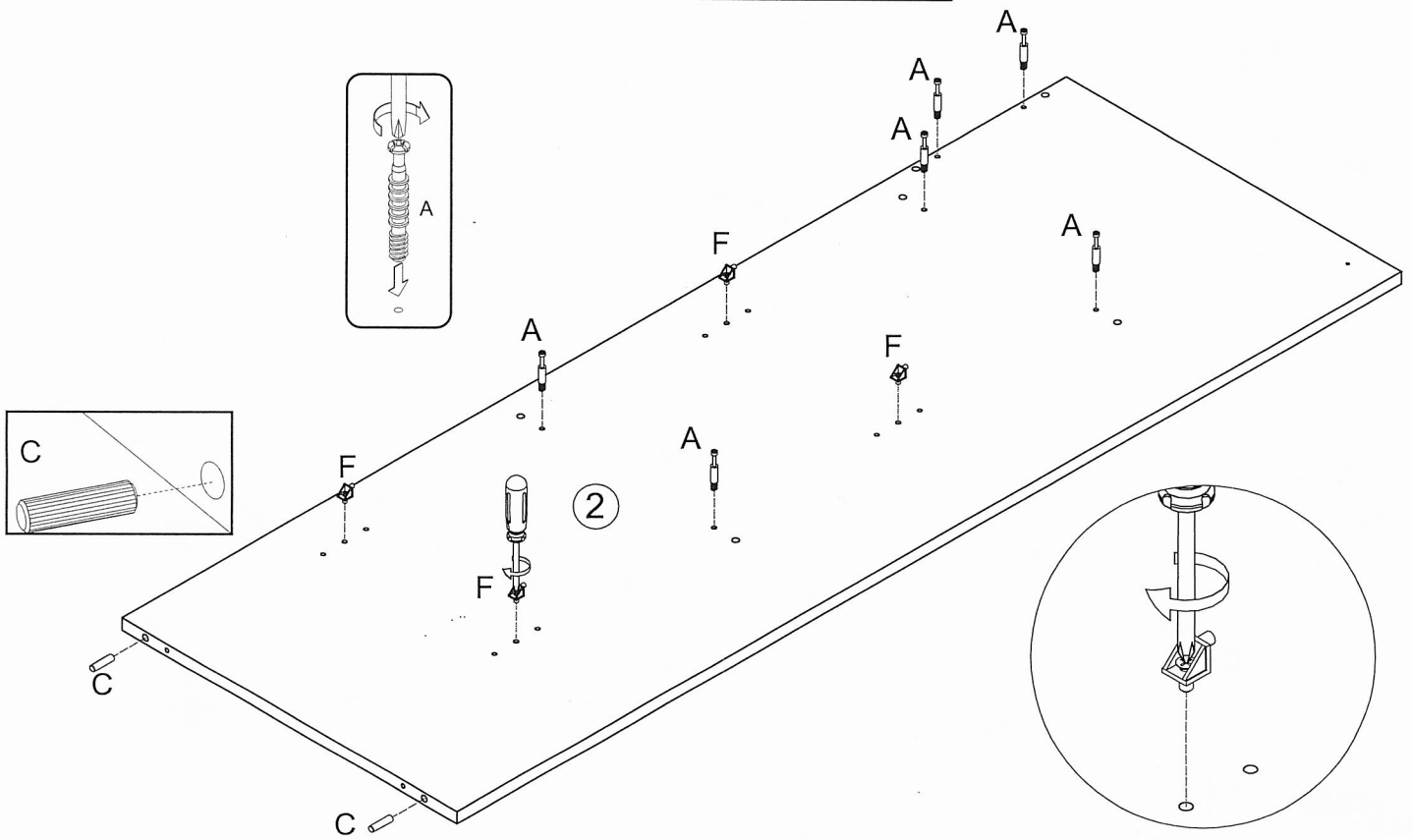
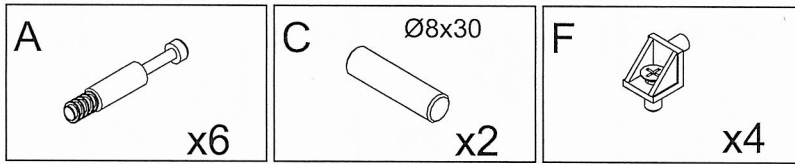


1	x1	ca. 1404 x 500 x 16	2/2
2	x1	ca. 1404 x 500 x 16	2/2
3	x1	ca. 1000 x 502 x 16	1/2
4	x1	ca. 1404 x 398 x 16	2/2
5	x1	ca. 638 x 396 x 16	1/2
6	x1	ca. 312 x 396 x 16	1/2

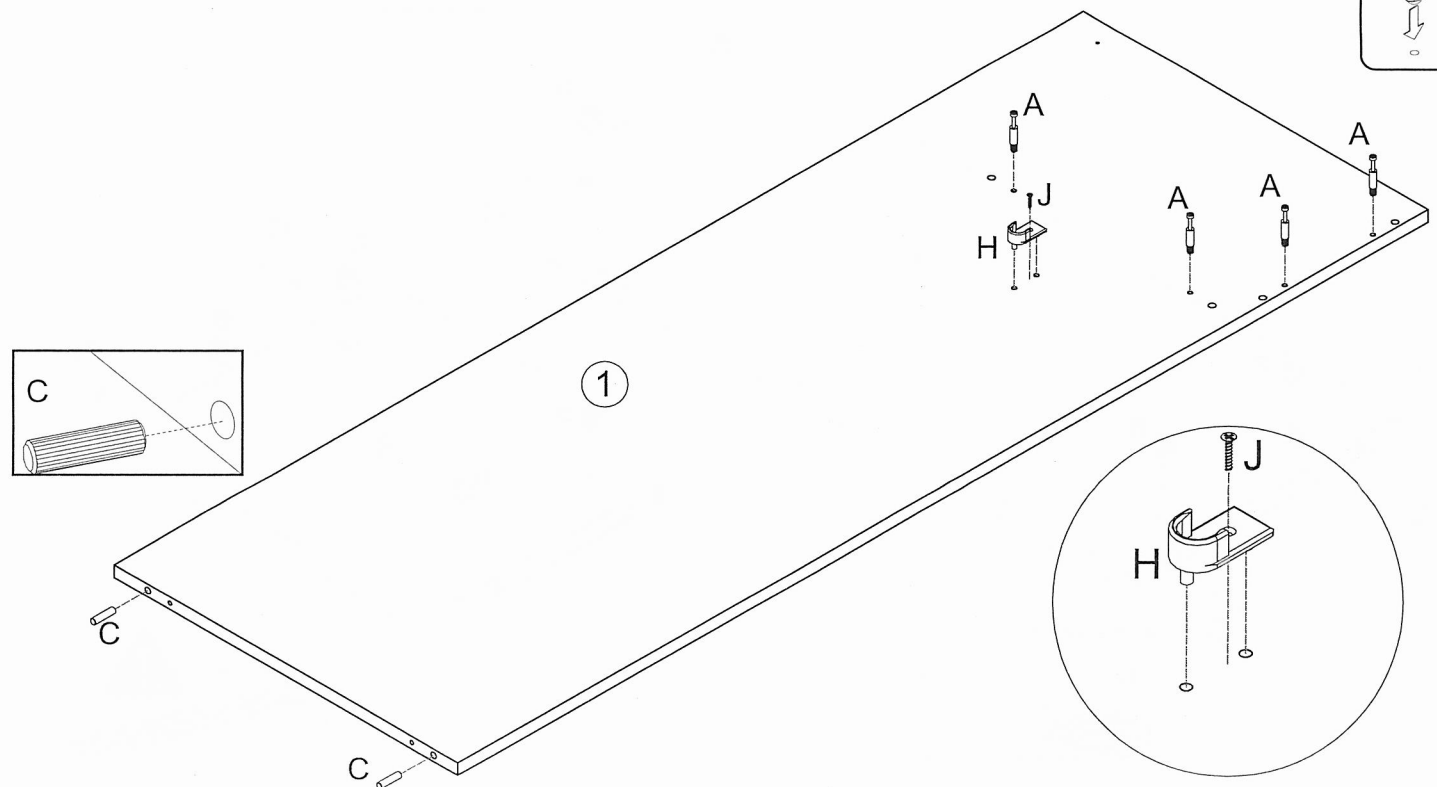
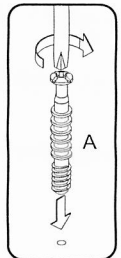
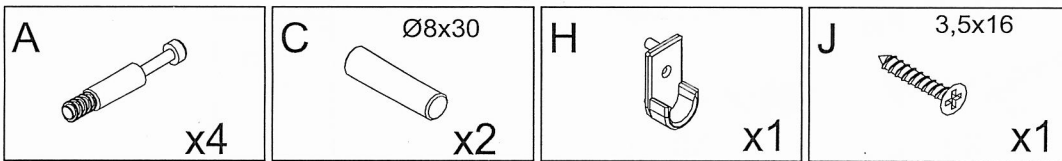
7	x1	ca. 638 x 269 x 16	1/2
8	x1	ca. 312 x 269 x 16	1/2
9	x2	ca. 312 x 396 x 16	1/2
10	x1	ca. 1148 x 334 x 3	2/2
11	x2	ca. 1148 x 330 x 3	2/2
12	x1	ca. 1350 x 1400	2/2



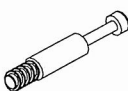
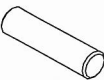



1

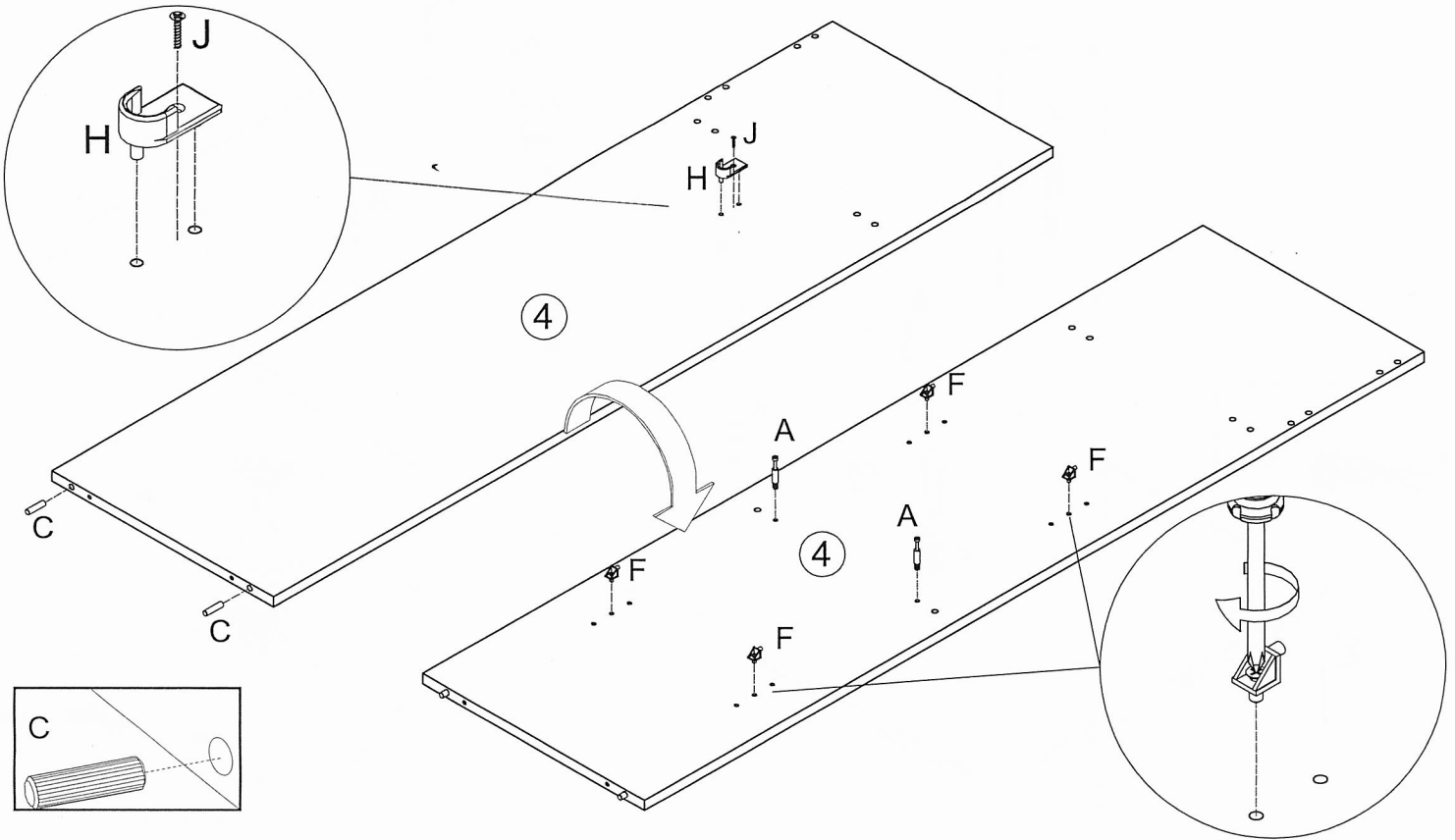


2

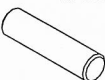
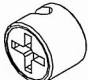


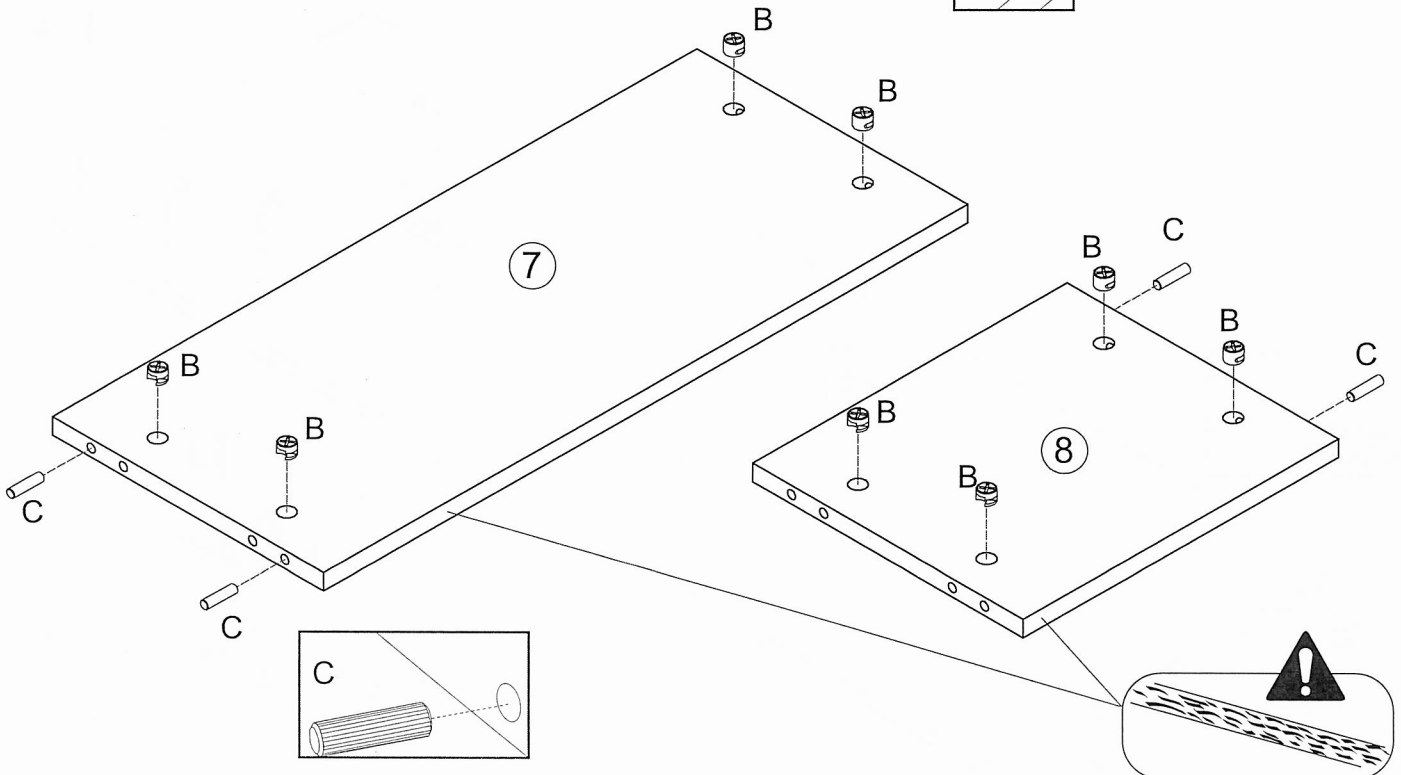
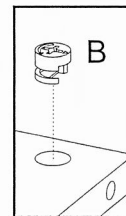
3

- A**  x2
- C** $\varnothing 8 \times 30$  x2
- F**  x4
- H**  x1
- J** $3,5 \times 16$  x1

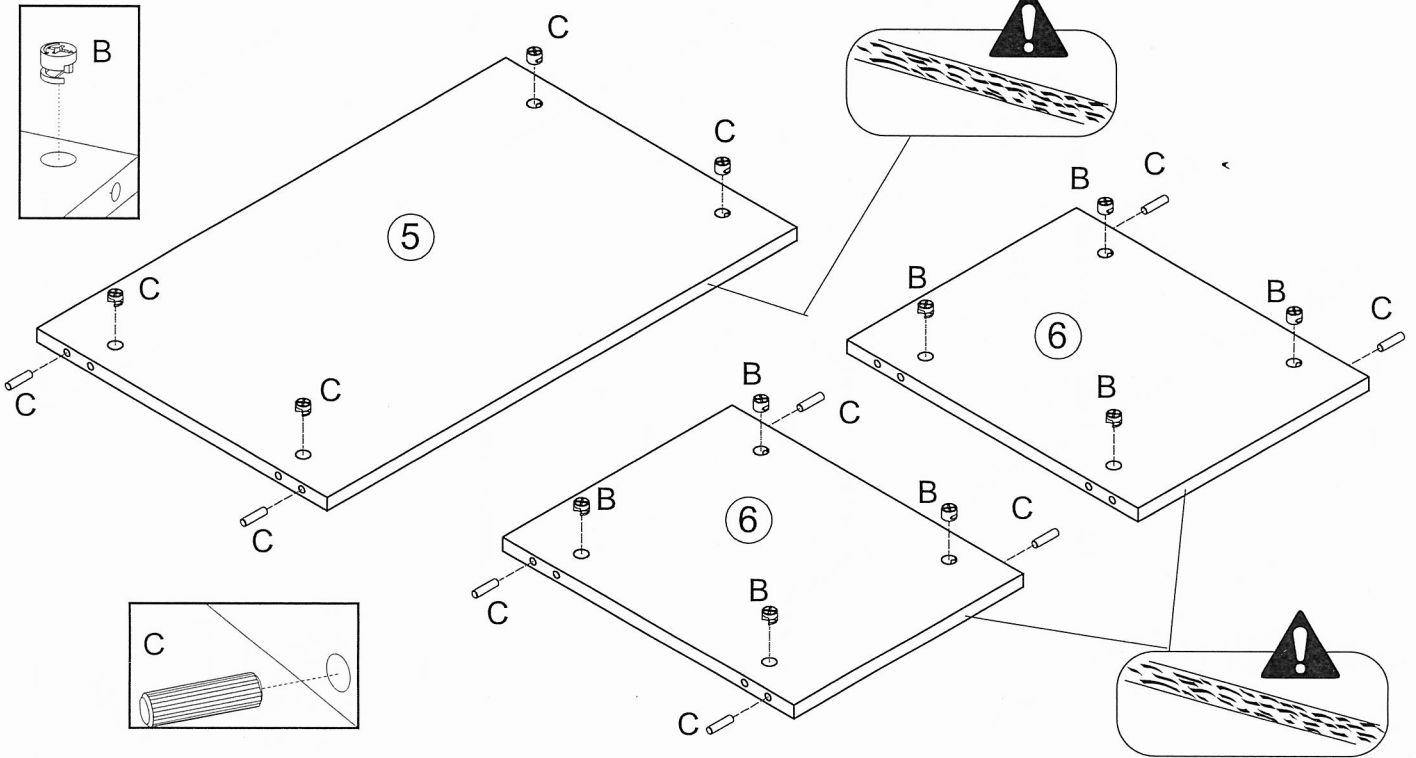
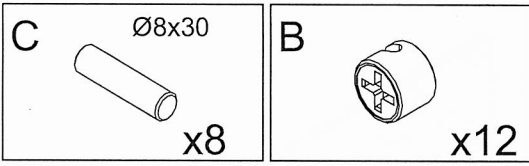


4

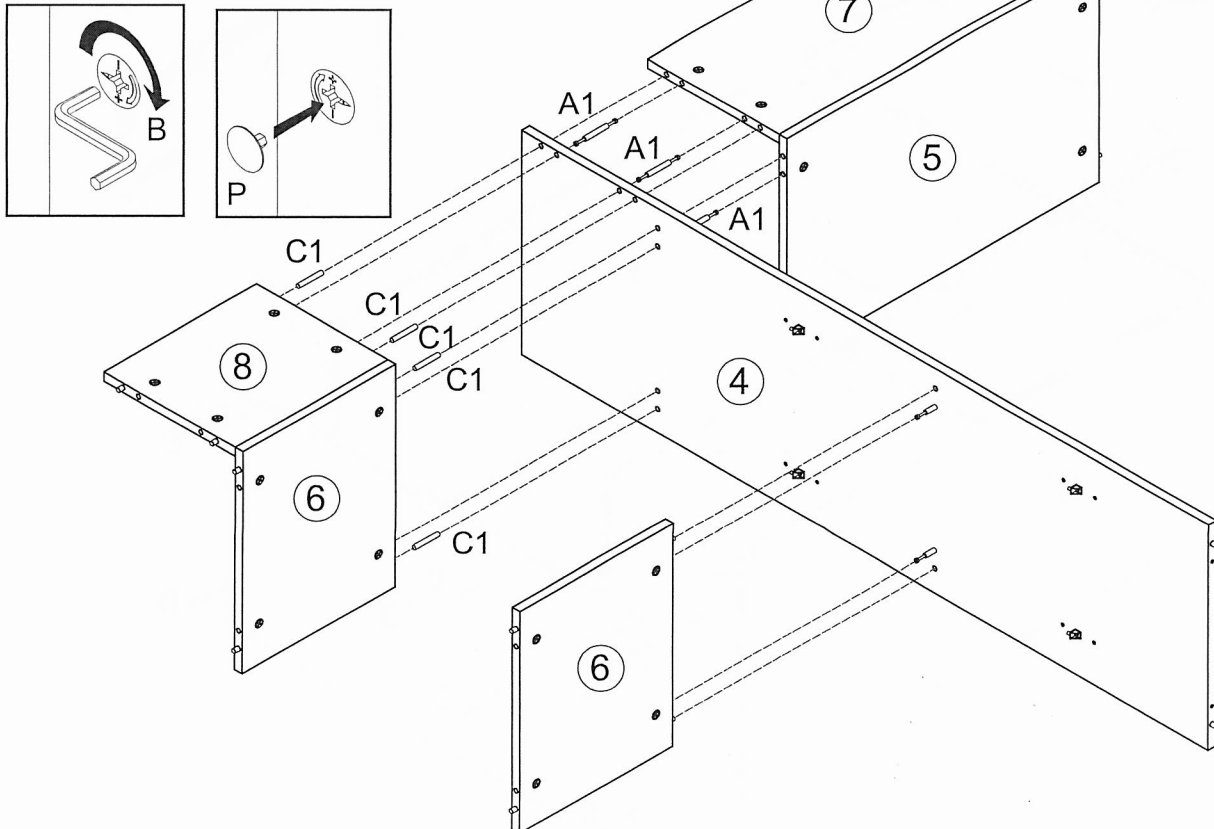
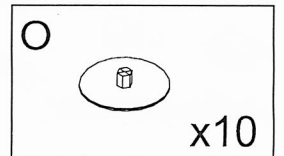
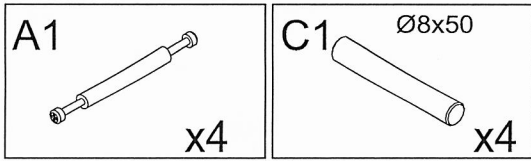
- C** $\varnothing 8 \times 30$  x4
- B**  x8



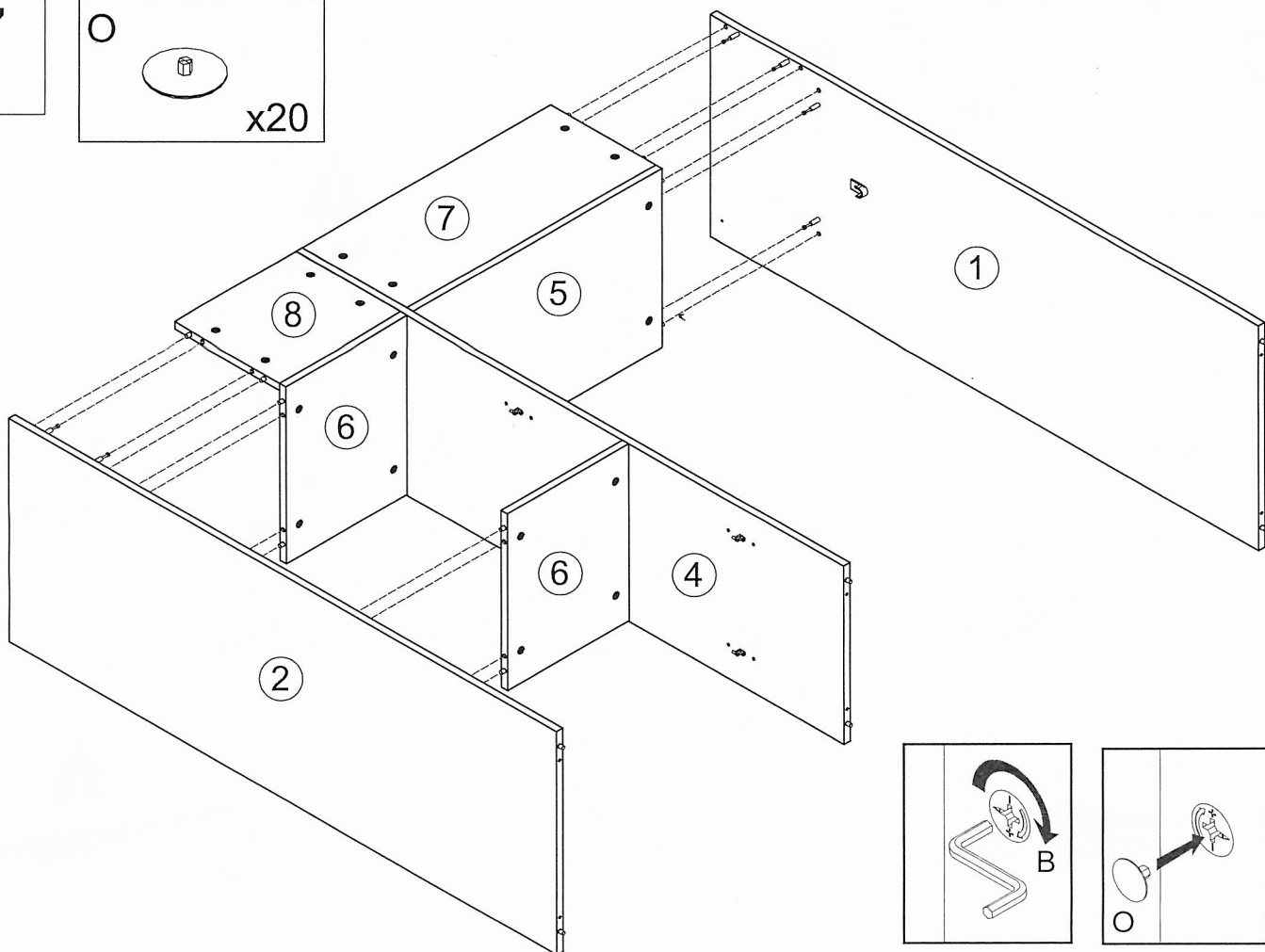
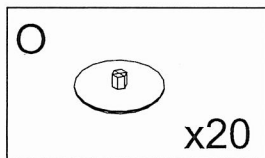
5



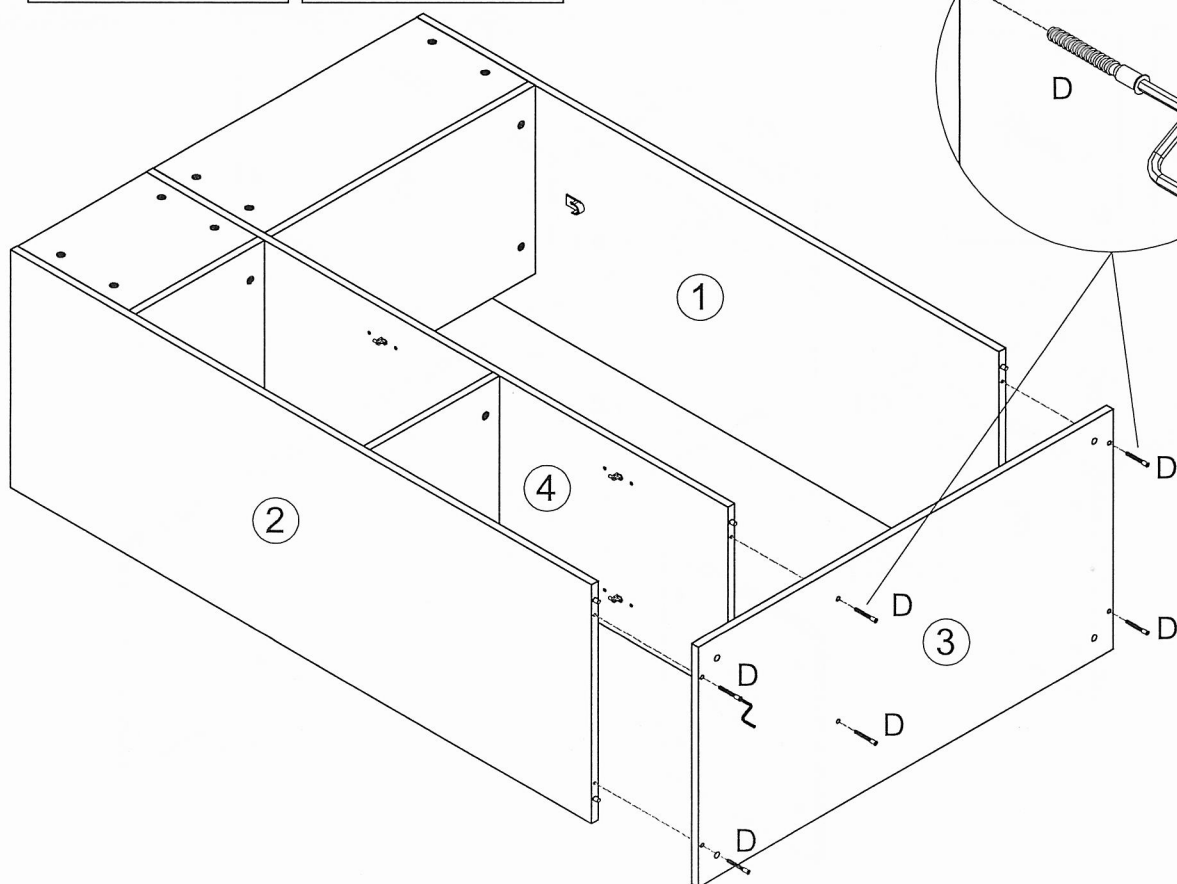
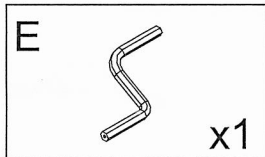
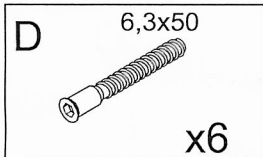
6



7



8



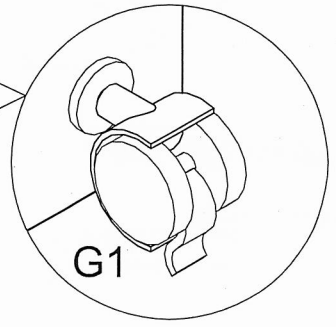
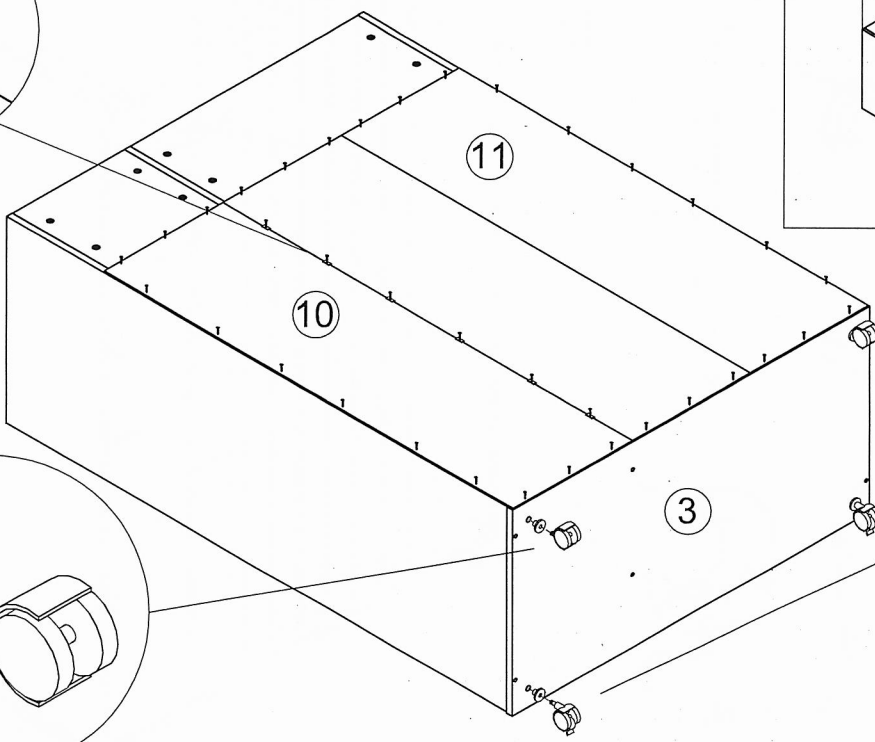
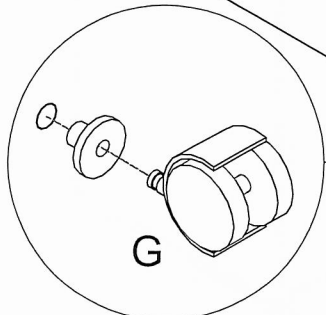
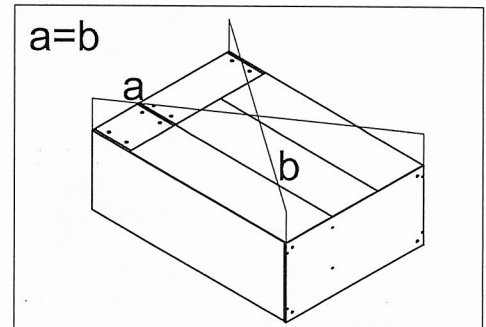
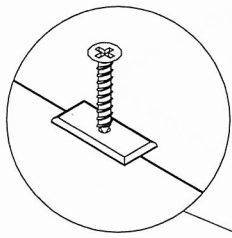
9

M 2,5x22
x36

N
x6

G
x2

G1
x2

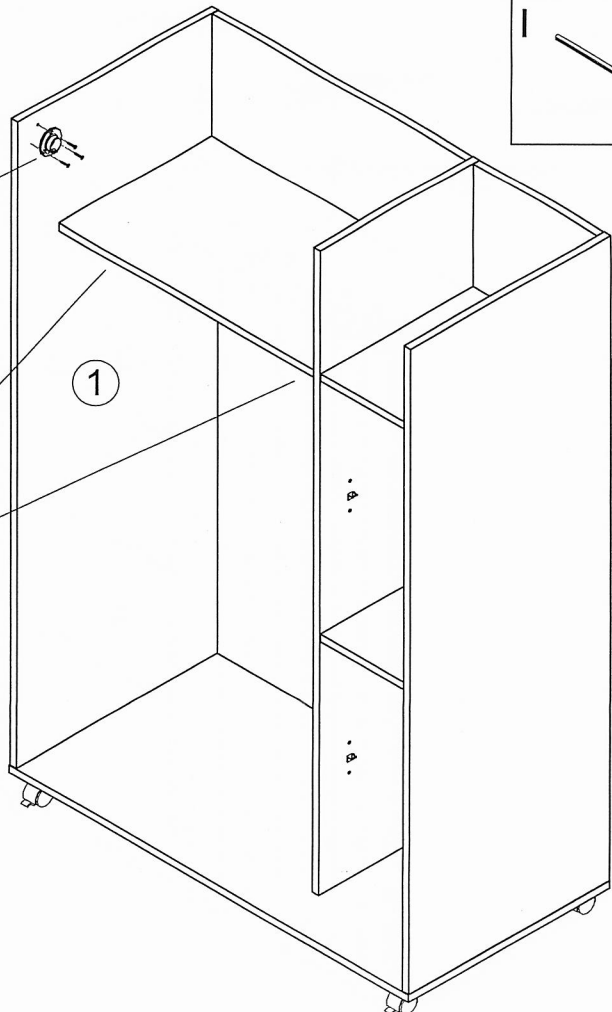
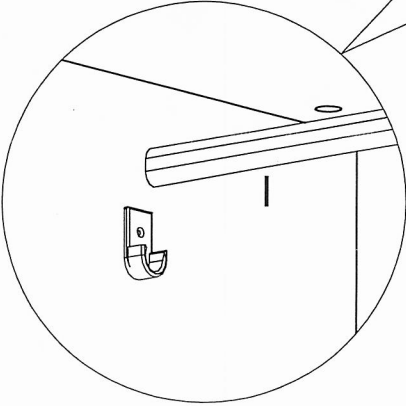
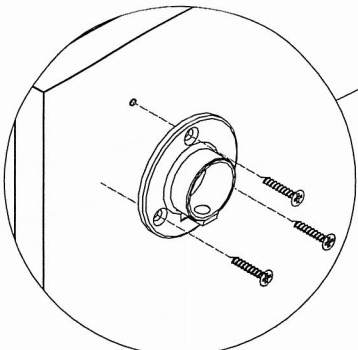


10

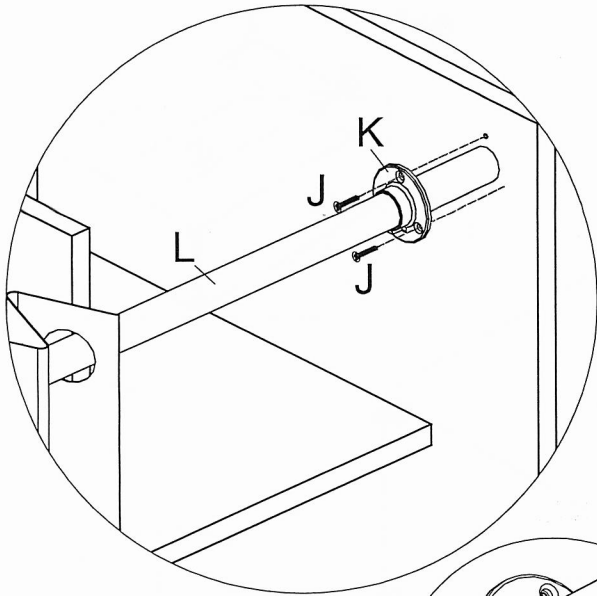
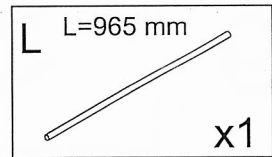
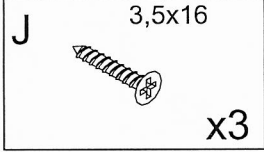
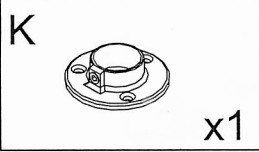
K
x1

J 3,5x16
x3

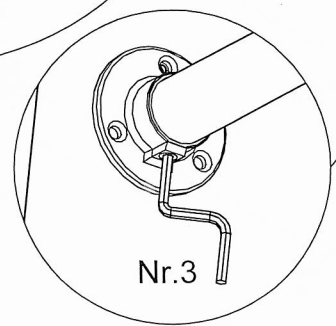
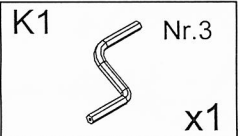
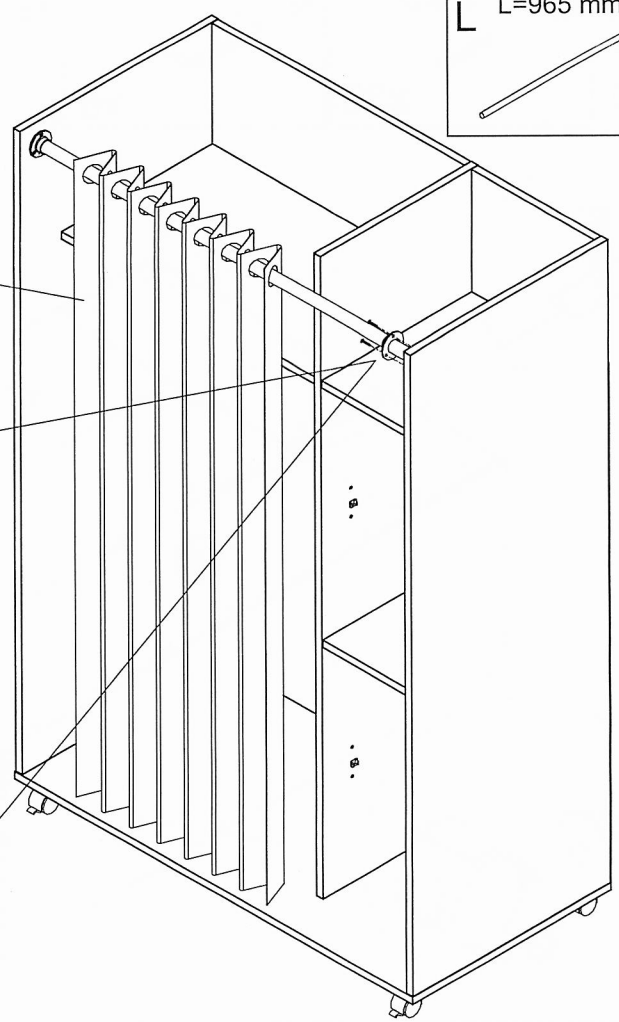
I L=630 mm
x1



11



12



12

