

A80P

Microinverter

User Manual v2.0

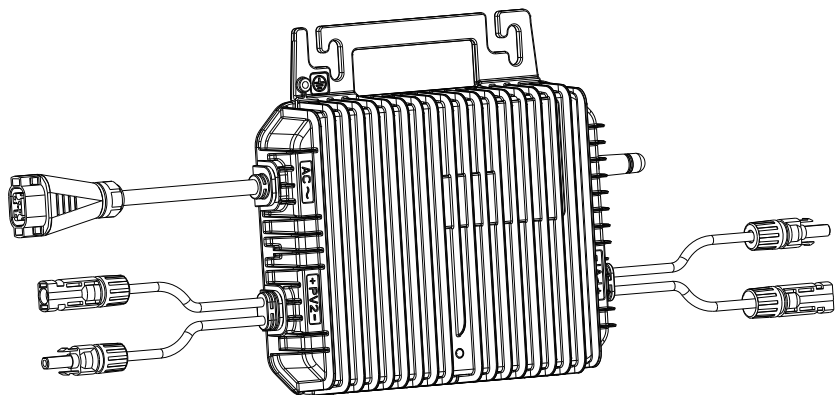
Important Instructions

For the best experience and performance,
update to the latest firmware before first use.

See the appendix "Update Firmware via
BLUETTI App" for guidance.

Read and understand this manual before use and
keep it handy for future reference.





Thank You!

Thank you for making BLUETTI a part of your family.

From the very beginning, BLUETTI has tried to stay true to a sustainable future through green energy storage solutions while delivering an exceptional eco-friendly experience for our homes and our world.

That's why BLUETTI makes its presence in 100+ countries and is trusted by millions of customers across the globe.



Notice

BLUETTI's products, services, and features are subject to the agreed-upon terms and conditions during purchase. Please note that some products, services, or features described in this manual may not be available under your purchase contract. Unless otherwise specified in the contract, BLUETTI makes no representations or warranties of any kind, express or implied, with respect to the contents of this manual.

The contents of this manual are subject to change without notice. Please get the latest version from: <https://www.bluettipower.eu/pages/user-guides>

If you have any questions or concerns about this manual, please contact BLUETTI support for further assistance.

About the Manual

Introduction



This manual provides information on the safety instructions, functionality, and basic operation of the A80P microinverter. Please read and understand all instructions in this manual before use.

Target Audience

- Technical support engineer
- Qualified electrician
- End-user

Symbol Conventions

To ensure the safe installation and operation of the microinverter, and to reduce the risk of electric shock, this manual employs the following safety symbols to indicate hazards and precautions.

Symbol	Category	Description
	Danger / Warning	It indicates a hazardous situation which, if not avoided, could result in death or serious injury.
	Notice	It indicates a potentially hazardous situation which, if not avoided, could cause substantial damage to property and the environment.

Contents

1	Safety Guidelines	06
1.1	General Requirements	06
1.2	Installation Requirements	07
1.3	Radio Interference Statement	08
1.4	Grounding Instructions	08
1.5	Symbol Descriptions	09
2	Microinverter	10
2.1	Introduction	10
2.2	Dimensions	10
2.3	Terminals	10
2.4	Application Scenarios	11
3	Microinverter Installation	12
3.1	Packing List	12
3.2	Required Tools	14
3.3	Space Requirements	16
3.4	Installation Procedures	16
3.5	BLUETTI App	20
4	Troubleshooting and Maintenance	21
4.1	Troubleshooting	21
4.2	LED Indicators	23
4.3	Insulation Resistance Check	25
4.4	Maintenance	25
5	Microinverter Removal & Replacement	26
5.1	Remove the Microinverter	26
5.2	Replace the Microinverter	27
5.3	Microinverter Storage & Disposal	27
6	Specifications	27

1. Safety Guidelines

Read this manual for instructions on the proper use and safety information for the product. The safety instructions provided herein are for illustrative purposes that include but are not limited to those listed in this manual. Actual operation shall comply with all applicable safety standards. If you have any questions, feel free to contact BLUETTI support or your local BLUETTI dealers.

1.1 General Requirements

1.1.1 Statement

To ensure a safe operation, it's crucial to observe and adhere to the following conditions:

- Always operate or store the unit in the conditions specified in this manual.
- The installation and ambient conditions must comply with the requirements in the relevant international, national, or regional standards.
- Avoid unauthorized disassembly, component replacement, or modification of software codes.

⚠ *BLUETTI shall not be liable for the following circumstances:*

- Damage from force majeure events such as earthquakes, fires, storms, floods, or mudslides.
- The product doesn't fulfill power supply needs for power-reliant equipment in critical sectors like atomic energy, aviation, medical, and other domains where safety is paramount. BLUETTI assumes no liability for incidents involving personal safety, fire, equipment malfunction, or any adverse aftermath resulting from using this product with such equipment.
- Damage caused by the customer's own transportation.
- Hardware or data damage caused by customer's negligence, improper operation, or intentional actions.
- System damage caused by third parties or customers, including but not limited to improper handling and installation not in accordance with the instructions in this manual.
- Damage caused by adjustments, changes, or removal of labels in violation of this manual.
- Issues incurred after the warranty period has expired and in the absence of extended warranty service.

1.1.2 Safety Instructions

WARNING - When using this unit, basic precautions should always be followed, including the following:

- Do not install, use and maintain the unit in adverse weather conditions such as lightning, rain, snow, and strong breezes (including but not limited to handling and operating the unit and cables, plugging and unplugging signal connections to outdoor facilities, working at height, outdoor installations, etc.).

- Always turn off the power source before starting any electrical work.
- Do not disassemble, modify, tamper with or repair the unit on your own.
- Regularly inspect the unit and its accessories for damage or deterioration.
- Use a tester to check for the presence of dangerous voltage before touching any conductor or terminal.
- If the unit's shell is cracked during transportation or use, do not use it and contact BLUETTI support or your local BLUETTI dealers.
- Use a dry powder extinguisher if the unit catches fire.
- In case of fire, EVACUATE the building or affected area immediately, activate the closest FIRE ALARM system and call your LOCAL EMERGENCY NUMBER.
- Use genuine cables and accessories provided by BLUETTI.
- Keep the unit away from heat sources or high temperatures, and do not expose it to direct sunlight.
- Do not store the unit with flammable liquids, gases, or explosive materials.
- Make sure the area where you are using the unit is well-ventilated and spacious.
- Contact BLUETTI support if this manual cannot adequately explain the malfunction to you.
- Do not block or cover the unit's vents, as this may lead to a reduction in its power generation capability.

Legal and Regulatory Requirements

- The transportation, wiring, and maintenance shall comply with all applicable laws, regulations, and standards.
- User-provided materials and tools required shall meet the requirements specified in applicable laws, regulations, and relevant standards.

1.2 Installation Requirements

- The installation and replacement should only be performed by qualified professionals.
- Before installing, disconnect the unit from the power grid and provide cover or isolation for PV modules.
- Before disconnecting the unit from the DC port, it's important to first disconnect it from the grid.
- Place the unit in a well-ventilated area and do not touch it, as the shell becomes hot during operation.
- Ensure that the installation or storage environment meets the requirements specified in the "Specifications" section (protection class, temperature, altitude, etc.).
- In case of any damage to the power cable, contact professionals immediately for a replacement.

Danger

Avoid working with live electrical components.

1.2.1 Personnel Requirements

- The installation, electrical connection, commissioning, maintenance, troubleshooting, and replacement of the unit should only be performed by trained professionals who follow proper safety precautions and operating practices.
- To operate the BLUETTI unit, professionals must hold the appropriate qualifications and certifications mandated by local regulatory authorities. These certifications cover tasks such as high-voltage operations, working at heights, and specialized equipment handling.

1.2.2 Drilling Requirements

When drilling holes in the wall or on the ground, the following safety measures should be considered:

- Wear goggles and protective gloves at all times.
- Shield and protect the unit to prevent any debris from falling into it. After drilling, make sure to remove all debris from the surrounding area.
- Avoid drilling holes directly on the unit, as this can damage its electromagnetic shielding performance. Additionally, metal shavings from drilling can potentially cause short circuits on the circuit board.

1.3 Radio Interference Statement

This microinverter has been tested and meets radio requirements, which are designed to provide reasonable protection against harmful interference in residential installations. This microinverter generates, uses and can radiate radio frequency energy and, if not installed and used in accordance with the instructions, may cause harmful interference to radio communications. However, there is no guarantee that interference will not occur in a particular installation.







If this microinverter does cause harmful interference to radio or television reception, which can be determined by turning the equipment off and on, the user is encouraged to try to correct the interference by one or more of the following measures:

- Reorient or relocate the receiving antenna.
- Increase the separation between the equipment and receiver.
- Connect the equipment into an outlet on a circuit different from that to which the receiver is connected.
- Consult the dealer or an experienced radio/TV technician for help.

1.4 Grounding Instructions

This series of products are Class I devices with a high-frequency isolation transformer, but grounding is still necessary. The AC cable contains an internal grounding wire for direct use. To meet specific requirements of public utilities, it can be grounded by fastening it to the rack using brackets.

1.5 Symbol Descriptions

Symbol	Description
	Recycling and disposal Electrical equipment that has reached the end of its service life must be collected separately and taken to an approved recycling facility.
	Electric shock warning This unit generates high voltage during operation. The installation, commissioning, and maintenance should only be performed by qualified professionals or trained personnel.
	Warning Be careful. Hazards may occur during operation.
	Hot surface The unit becomes hot during operation. Do not touch its metal surface.
	CE mark This unit complies with the Low Voltage Directive for the European Union.
	Read instruction Please read the instruction carefully before installing, operating, and maintaining the unit.

Warning

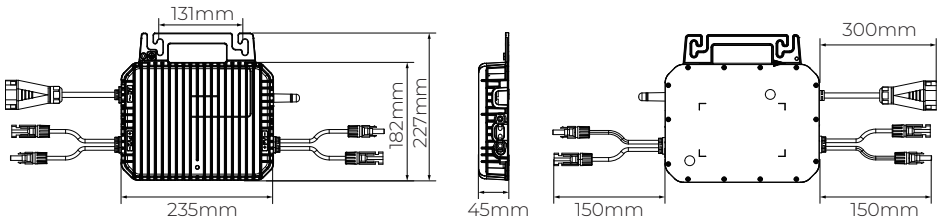
- The symbols on the box contain important information for safe operation.
- The nameplate on the back of the box contains important parameter information related to the unit.

2. Microinverter

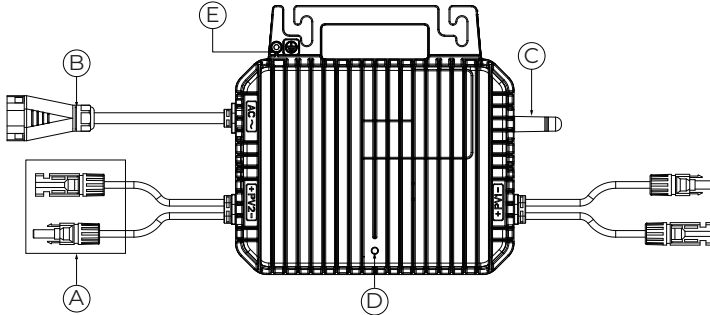
2.1 Introduction

The microinverter is like a small but powerful brain for each solar panel. It connects to each panel individually and constantly optimizes its performance using MPPT technology, even when some panels are shaded, dirty or facing different lighting conditions. This ensures that the system generates as much power as possible, even in less than perfect conditions, making it much more efficient overall.

2.2 Dimensions



2.3 Terminals

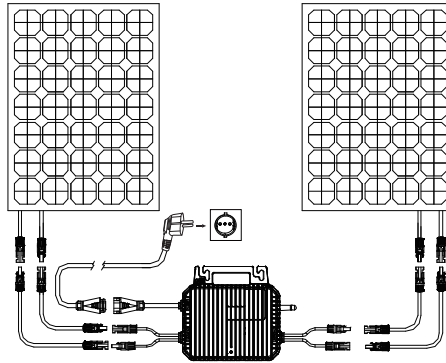


No.	Description
A	DC Connector
B	AC Connector
C	WiFi / Bluetooth Antenna
D	LED Indicator
E	Grounding

2.4 Application Scenarios

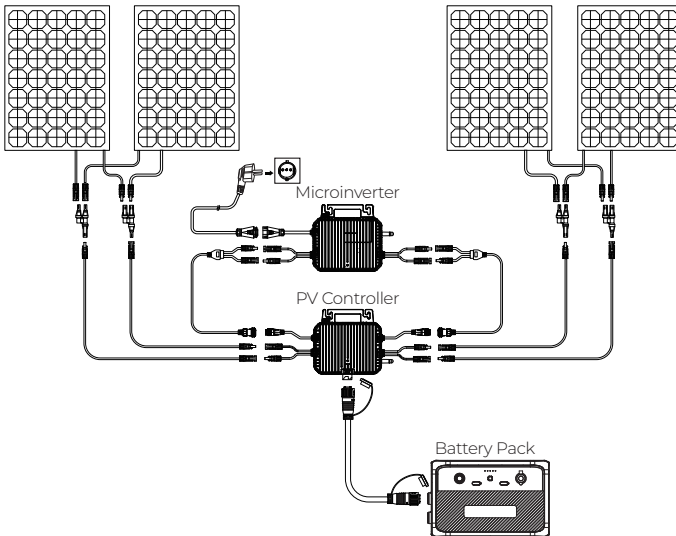
2.4.1 Balcony Solar System

With just one microinverter and some solar panels, you can set up a power generation system. Simply connect the provided AC extension cord into a household outlet, and you'll be able to feed the solar energy directly into your home's electrical grid. It's a simple and convenient way to start generating power and contribute to your household energy needs.



2.4.2 Balcony Solar + Storage System

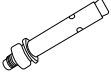
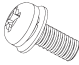
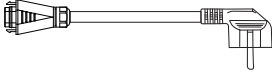

The microinverter can be combined with the solar charge controller and battery packs to create a balcony solar energy storage system. This system not only feeds excess solar energy into the home grid but also stores it in the battery for later use. This means that even at night, the stored energy can be used to power your home, providing a reliable and continuous power supply.



3. Microinverter Installation



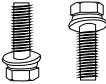
3.1 Packing List

Standard Accessories

Description	Picture	Qty.
M8*60 Expansion Bolt		2
M5*10 Grounding Screws		1
AC Cable (1.8m)		1
AC Connector Disassembly Tool		1

Optional Accessories

(Available on the official BLUETTI website: <https://www.bluettipower.eu>)

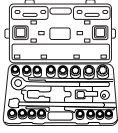
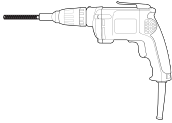



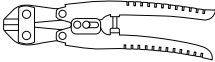
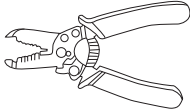
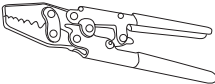
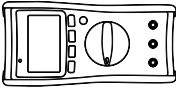

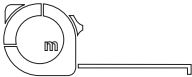
Description	Picture	Qty.
Red MC4 Extension Cable (Positive, 3m)		2
Black MC4 Extension Cable (Negative, 3m)		2
Mounting Screw (Bracket)		2

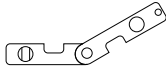
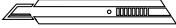


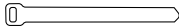




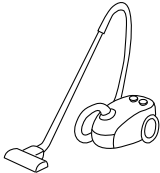
Optional Accessories

(Available on the official BLUETTI website: <https://www.bluettipower.eu>)

Description	Picture	Qty.
AC Cable (2.5m)	A long, thin AC power cable with a standard three-pronged plug on one end and a connector on the other.	1
Red MC4 Extension Cable (Positive, 5m)	A coiled red cable with MC4 connectors on both ends.	2
Black MC4 Extension Cable (Negative, 5m)	A coiled black cable with MC4 connectors on both ends.	2
MC4 Splitter (1 positive to 2 negative)	A plastic component with one MC4 connector on one side and two on the other.	2
MC4 Splitter (1 negative to 2 positive)	A plastic component with one MC4 connector on one side and two on the other, oriented differently from the previous one.	2
T-connector	A cylindrical metal component with three MC4 connectors protruding from its side.	1
T-connector Removal Tool	A metal tool with two L-shaped prongs used to pry the MC4 connectors off the T-connector.	1
AC Connector Disassembly Tool	A metal tool with a circular end and a handle, used to pry the AC plug off the cable.	1
Rubber Plug	A small, cylindrical rubber component used to seal the T-connector.	2
T-connector Case	A rectangular plastic case with a latch and a downward-pointing arrow on the front.	1

3.2 Required Tools

No.	Picture	Description
1		Socket Wrench Set
2		Impact Drill (10mm)
3		Torque Wrench
4		Flat Screwdriver
5		Cross Screwdriver
6		Cable Cutter
7		Cable Stripper
8		Cable Crimper
9		Multimeter (DC voltage $\geq 1000\text{VDC}$)
10		Marker
11		Measuring Tape

No.	Picture	Description
12		Level Ruler
13		Box Cutter
14		Heat Shrink Tubing
15		Heat Gun
16		Cable Tie
17		Anti-static Gloves
18		Protective Goggles
19		Mask
20		Safety-toe Shoes
21		Vacuum Cleaner

3.3 Space Requirements

- When setting up the microinverter, it's important to avoid direct exposure to elements like sunlight, rain, snow, and UV radiation.
- Leave at least 2 inches (5cm) of space around the microinverter to allow for proper airflow and heat dissipation.

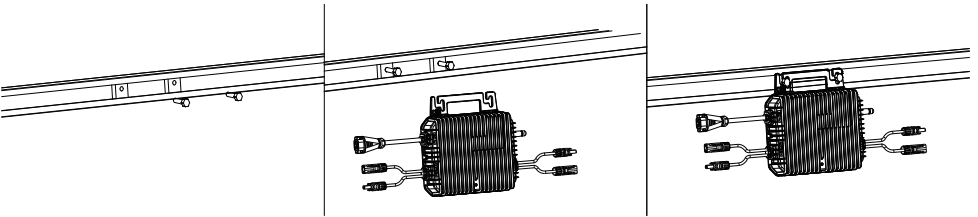
3.4 Installation Procedures

3.4.1 Balcony Solar System

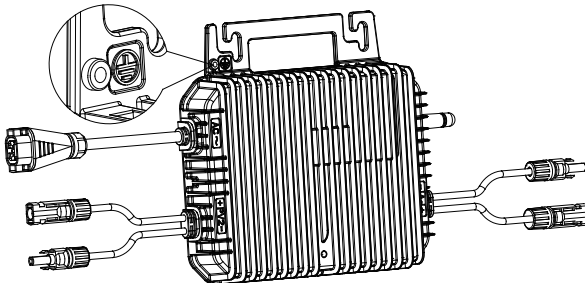
Step 1: Mount the Microinverter

The microinverter provides a range of mounting options to suit different needs, including walls, PV modules, module racks, and balcony railings. This manual presents an example of mounting the microinverter on a PV module rack.

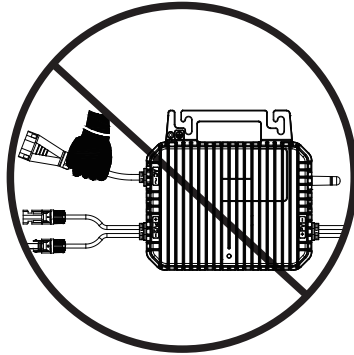
1. Mark the exact spot where you plan to mount the microinverter, then drill the appropriate holes. Take note of the layout of your PV modules or module racks.
2. Insert the screws into the drilled holes and tighten them lightly, leaving a bit of screw length to attach the microinverter.
3. Hang the microinverter onto the screws and proceed to tighten the screws firmly.



Grounding: In regions with specific grounding requirements, it may be necessary to ground the external part of the microinverter, even if the AC power source or AC cable already includes a grounding wire (PE). To ground the microinverter, use the M5 screws and a grounding wire with a cross-sectional area of at least 16AWG (1.5mm²), as shown in the figure below.

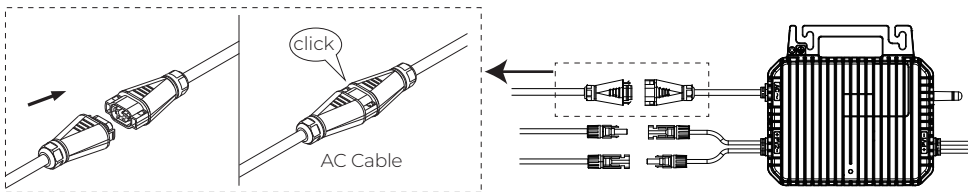


⚠ Warning: When installing the microinverter, be sure to hold onto the cable connector rather than gripping or pulling the cable directly.



Step 2: Connect the AC cable

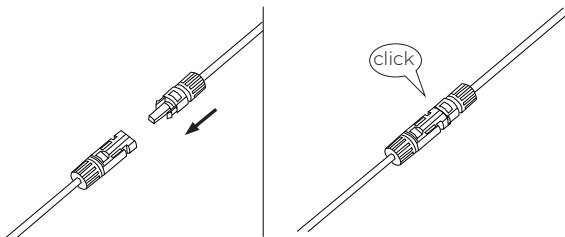
Align the pins of the connectors and firmly push them together until you hear a click.



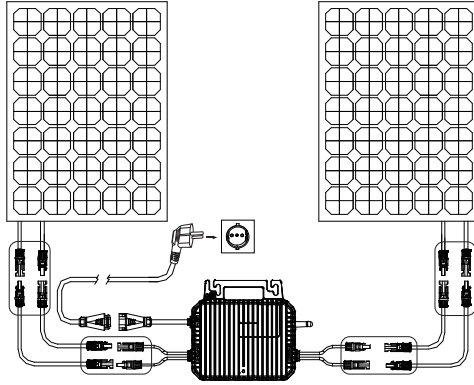
⚠ Danger: Before turning on the AC circuit breaker, make sure that all electrical connections are securely and correctly established. Do not rush and turn on the switch prematurely, as it can pose a risk of electric shock.

Step 3: Connect the DC cable

Join the MC4 connectors together. You'll hear a click when they're in place.



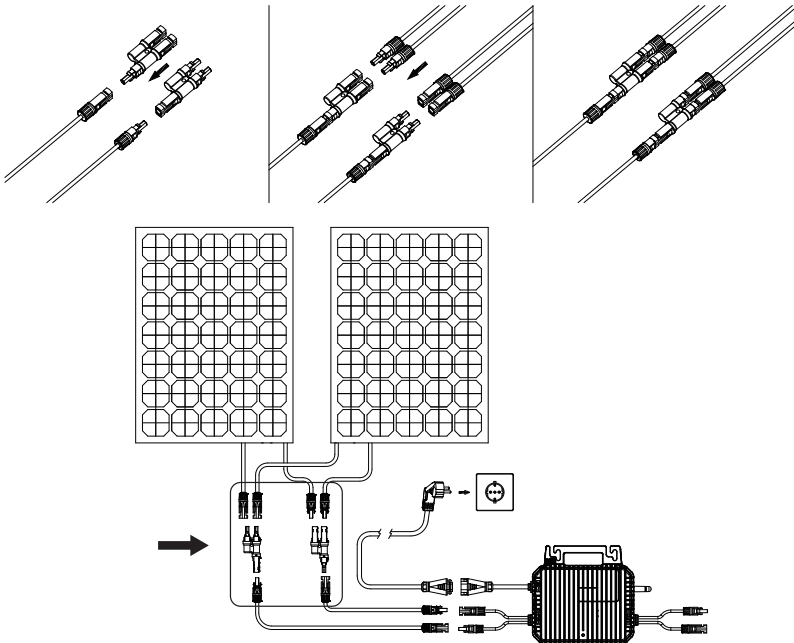
The arrow in the figure below illustrates the connection.



⚠ Warning: The open circuit voltage of each PV module should not exceed the microinverter's input voltage.

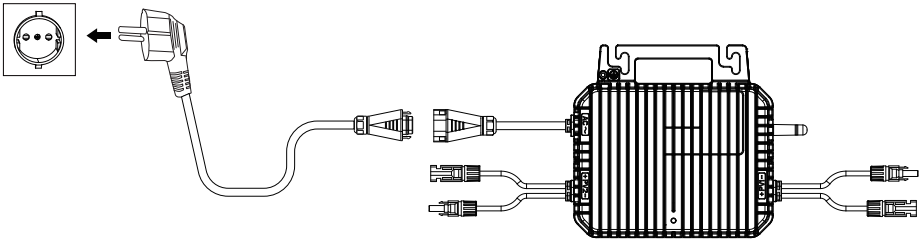
📖 Notice

- If the microinverter is located far away from the PV modules, use the MC4 extension cables to connect them (red for positive and black for negative).
- When connecting two PV modules to a microinverter, use the MC4 splitter.
- If you need a longer MC4 cable, you can purchase it from the official BLUETTI website at <https://www.bluettipower.eu>



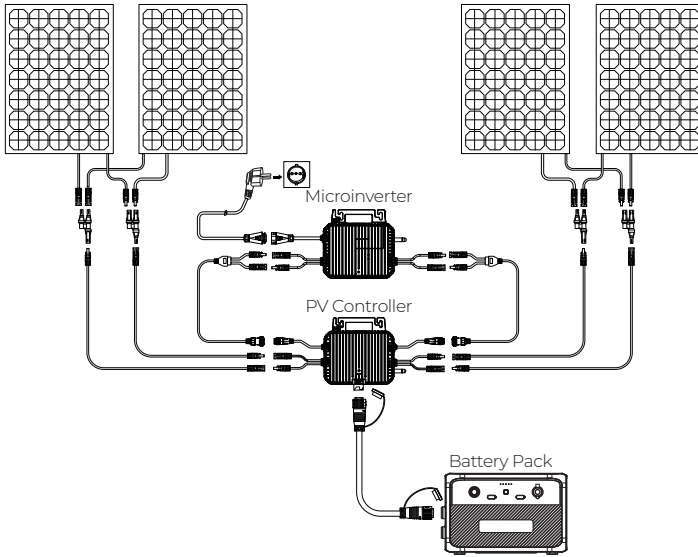
Step 4: Integrate into the home supply system

Plug the microinverter to a wall outlet. The system will start generating electricity within about 1 minute of being successfully integrated into the home's electrical system.



3.4.2 Balcony Solar + Storage System

The installation of the entire system is illustrated below, presenting an example of connecting 4 PV modules.



Please refer to the *Solar Charge Controller User Manual* for instructions.

3.5 BLUETTI App

With the BLUETTI app, you have the convenience of monitoring the operation status of your microinverter, configuring its network settings, and receiving fault reports at any time and from anywhere.

Scan the QR code below to download the BLUETTI app, or search for "BLUETTI" in the App Store or Google Play.



Supported operating systems: iOS 11.0 or above, Android 8.0 or above.

For detailed instructions on how to monitor and control the microinverter through the app, please refer to the *BLUETTI App User Manual*.

4. Troubleshooting and Maintenance

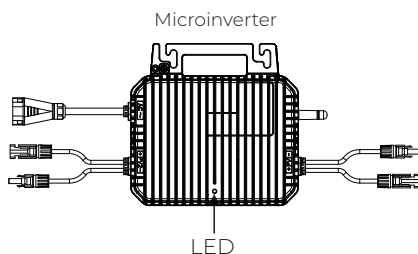
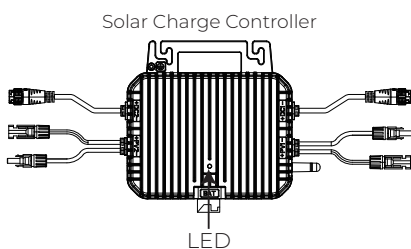
4.1 Troubleshooting

Error Code	Description	Troubleshooting
C001	Battery Overvoltage	1. Check if the cables and terminals are connected properly. 2. Restart the system if connections are accurate. If not, rectify them and then restart. 3. If the issue persists, contact BLUETTI support.
C002	Battery Undervoltage	
C003	Battery Overcurrent	
C008	Poor Contact with Battery Connection	
C015	System Temperature High	1. Check if the operating environment is well-ventilated and the ambient temperature remains within a moderate range. 2. If conditions are appropriate, contact BLUETTI support.
C016	System Temperature Low	
C017	AC Overvoltage	1. Check if the grid voltage is within the specified range. 2. Contact the local power utility or installer for adjustment if needed.
C018	AC Undervoltage	
C019	AC Overfrequency	1. Check if the grid frequency is within the specified range. 2. Contact the local power utility or installer for adjustment if needed.
C020	AC Underfrequency	
C021	AC Reverse Phase	1. Check if AC cable connections are correct. 2. If incorrect, rectify it; if correct, please contact BLUETTI support.
C025	Off-grid Voltage Abnormal	
C026	Off-grid Frequency Abnormal	
C027	AC Output Overload	1. Check if the power consumption of your AC devices is too high. 2. Reduce the load if necessary. Or, please contact BLUETTI support.

C029	AC Phase Lock Failure	1. Check if AC cable connections are correct.
C030	AC Soft Start Failure	2. If incorrect, rectify it; if correct, please contact BLUETTI support.
C033	PV1 Overvoltage	1. Make sure the PV input voltage is within 28V to 55VDC. 2. Contact BLUETTI support if the voltage is within normal range.
C034	PV2 Overvoltage	
C035	PV3 Overvoltage	
C036	PV4 Overvoltage	
C037	PV1 Overcurrent	1. Check if the short-circuit current of the single MPPT is within 20A. 2. Contact BLUETTI support if the voltage is within normal range.
C038	PV2 Overcurrent	
C039	PV3 Overcurrent	
C040	PV4 Overcurrent	
C041	PV1 Overtemperature	1. Check if the operating environment is well-ventilated and the ambient temperature remains within a moderate range. 2. If conditions are appropriate, contact BLUETTI support.
C042	PV2 Overtemperature	
C043	PV3 Overtemperature	
C044	PV4 Overtemperature	
C051	Wrong DSP Software Version	Update the system firmware to the latest version. If the symptom persists, please contact the BLUETTI support.
C061	Utility Synchronization Failure	Check if the cables and terminals are connected properly. If the symptom persists, please contact BLUETTI support.
C062	Carrier Synchronization Failure	

C070	Battery Pack Communication Failure	<ol style="list-style-type: none"> 1. Check if the cables and terminals are connected properly. 2. Restart the system if connections are accurate. If not, rectify them and then restart. 3. If the issue persists, please contact BLUETTI support.
C071	Inverter Group Communication Failure	
C074	BMS System Failure	
Others	/	<ol style="list-style-type: none"> 1. Wait for about 1 minute. If the problem persists, disconnect the PV connection followed by the grid connection. Reconnect both when the system indicators turn off. 2. If the symptom persists, please contact BLUETTI support.

4.2 LED Indicators




Balcony Solar System

Microinverter Indicator	Description
Flashes green	The system is starting up.
Flashes green quickly	The system is in the process of firmware upgrading.
Flashes green slowly	The system has detected an issue.
Steady green	The system is generating power and the network connection is normal.
Flashes yellow	The system is generating power, but there is an issue with the network connection.
Steady red	There is a system failure, and power generation has been stopped.

Balcony Solar + Storage System

Solar Charge Controller Indicator	Microinverter Indicator	Battery Indicator	Description
Flashes green	Flashes green	/	The system is starting up.
Steady green	Steady green	/	The home is powered via the solar system or battery pack.
Steady green	/	/	The solar system is charging the battery pack.
Flashes yellow	/	/	System communication abnormal.
/	Flashes yellow	/	System communication abnormal.
Steady red	/	/	The solar charge controller malfunctions.
/	Steady red	/	The microinverter malfunctions.
/	/	Flashes green	The battery pack malfunctions.


 **Notice:** Both the microinverter and the solar charge controller are powered by the DC side. If the LED indicator is not on, please check the DC side connection. If the connection and input voltage are normal, please contact your local BLUETTI dealer or the BLUETTI support for assistance.


4.3 Insulation Resistance Check


The microinverter is designed with a dedicated resistor sensor that measures the resistance between the solar system's output and the ground. If there are any issues with the insulation of the solar system, the DC wiring, or the connectors, it can lead to a decrease in resistance. If the resistance drops below the preset threshold, the system will automatically power off and report the fault in the BLUETTI app. For detailed information, please refer to the accompanying *BLUETTI App User Manual*.

4.4 Maintenance

- During normal operation, it's important to regularly check the environmental conditions to ensure that the microinverter remains protected from adverse weather conditions.
- Keep the microinverter's heat dissipation channels unobstructed to prevent overheating issues.
- DO NOT use the inverter if any issues are detected. Wait for the problem to be resolved before resuming normal operation.
- Perform annual inspections of all components and make it a routine to clean the equipment regularly.
- Only authorized personnel should carry out any maintenance operations.

 **Danger:** For safety and to maintain insulation performance, do not attempt to dismantle or repair the microinverter and solar charge controller on your own.

 **Warning:** Unless otherwise specified, maintenance operations should only be performed after disconnecting the system from the grid and the PV modules.

 **Notice:** Please contact BLUETTI support if this manual cannot adequately explain the malfunction to you.

5. Microinverter Removal & Replacement

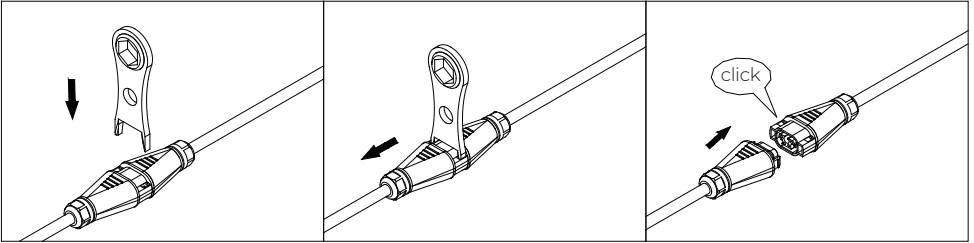
5.1 Remove the Microinverter

Step 1: Disconnect the microinverter from the grid

Unplug the AC cable from the wall outlet.

Step 2: Disconnect the AC cable

1. Insert the AC connector disassembly tool into the disassembly port of the connector.
2. Gently pull the tool to separate the AC connector from the microinverter's AC connector.



Step 3: Disconnect the DC cable

Step 4: Remove the microinverter from the module rack

5.2 Replace the Microinverter

Install the new microinverter appropriately. Power it on and check the indicator for normal operation. If necessary, you can use the BLUETTI app to update the device and configure network settings for optimal performance.

5.3 Microinverter Storage & Disposal

- Store the microinverter in a cool and dry place, keeping it away from flammable or combustible materials and gases.
- The product can be safely stored within a temperature range of -40°C to 85°C (-40°F to 185°F).
- Before restarting a microinverter that has not been used for a long time, be sure to thoroughly inspect the cables and the body of the unit. If any damage or deterioration is found, do not restart the unit and contact BLUETTI support for assistance.
- The modules and components within the microinverter may cause environmental pollution. Please follow local regulations and guidelines for proper disposal when the microinverter reaches the end of its life cycle.

6. Specifications

Model	A60	A80	A100
DC Input			
Number of MPPTs	2		
Max. Input Power per MPPT	380W	500W	650W
Max. Input Voltage	60V		
Start-up Voltage	18V to 25V		
MPPT Voltage Range	28V to 55V		
Max. Input Current per MPPT	15A		
Short-circuit Current per MPPT	20A		
AC Output			
Power	600W	800W	1000W
Voltage	230V		
Current	2.6A	3.5A	4.35A
Frequency	50Hz / 60Hz		
Total Harmonic Distortion (rated power)	< 5%	< 5%	< 5%
Power Factor	> 0.99 (0.80 leading - 0.80 lagging)		
Max. Units per Branch	11	8	6

Efficiency		
PV Charging	Peak Efficiency	96.5%
	CEC Efficiency	95%
PV Inverter	Peak Efficiency	96.5%
	CEC Efficiency	95%
MPPT Efficiency		99%
Protection		
Anti-Islanding Protection		Yes
DC Reverse Connection Protection		Yes
Output Overcurrent Protection		Yes
Output Short-circuit Protection		Yes
Overvoltage Protection		II (DC) / III (AC)
Mechanical Parameters		
Protection Class		IP67
Working Altitude		3000m (If the microinverter operates at altitudes above 3000m, it'll reduce its output power.)
Cooling Method		Natural Cooling
Topology		Isolation
Signal Transmission		WiFi / Bluetooth
Nighttime Standby Power		< 50mW
Noise Level		40dB
Dimensions (L × W × H)		9.3in × 8.9in × 1.8in / 235mm×227mm×45mm
Net Weight		6.8lbs / 3.1kg
General Parameters		
Operating Ambient Temperature Range		-40°F to 149°F / -40°C to 65°C (If the microinverter operates at temperatures above 40°C / 104°F, its inversion efficiency will decrease.)
Storage Temperature		-40°F to 185°F / -40°C to 85°C
Working Humidity		0% to 100%
Storage Humidity		0% to 100%
Warranty		10 Years (For extended warranty, please refer to BLUETTI's Terms and Conditions.)

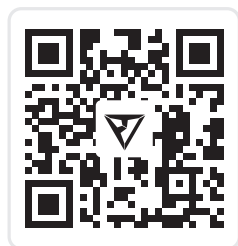
A80P

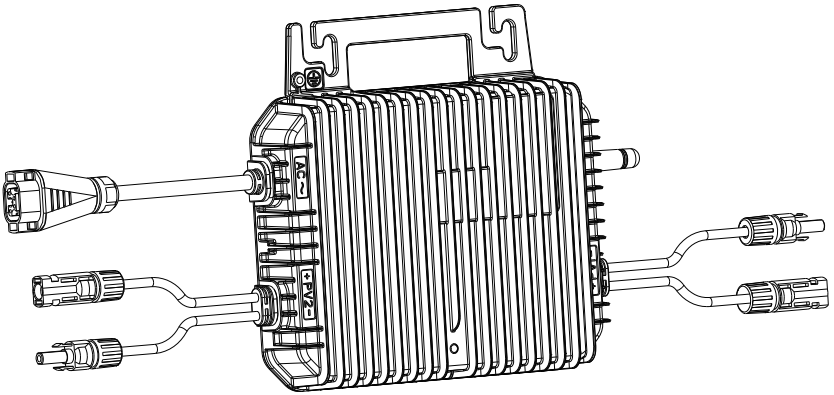
Mikrowechselrichter

Benutzerhandbuch v2.0

Wichtige Anweisungen

Für die beste Erfahrung und Leistung laden aktualisieren Sie es auf die neueste Firmware, bevor Sie es das erste Mal verwenden. Siehe Anhang "Firmware über die BLUETTI App aktualisieren" für Anleitung. Lesen und verstehen Sie dieses Handbuch vor der Verwendung und bewahren Sie es für zukünftige Referenzzwecke auf.





Vielen Dank!

Danke, dass Sie BLUETTI in den Kreis Ihrer Familie aufgenommen haben.

BLUETTI engagiert sich von jeher für eine nachhaltige Zukunft – mit außergewöhnlich umweltfreundlichen Energiespeicherlösungen, von denen nicht nur Haushalte, sondern wir alle profitieren.

Aus diesem Grund wird BLUETTI in mehr als 100 Ländern gerne genutzt und genießt das Vertrauen von Millionen Kunden auf der ganzen Welt.



Hinweis

Für die Produkte, Dienstleistungen und Funktionen von BLUETTI gelten die beim Kauf vereinbarten Bedingungen. Bitte beachten Sie, dass einige der in diesem Handbuch beschriebenen Produkte, Dienstleistungen oder Funktionen möglicherweise nicht im Rahmen Ihres Kaufvertrags verfügbar sind. Sofern im Vertrag nicht anders angegeben, gibt BLUETTI keine ausdrücklichen oder stillschweigenden Zusicherungen oder Garantien in Bezug auf den Inhalt dieses Handbuchs.

Der Inhalt dieses Handbuchs kann ohne vorherige Ankündigung geändert werden. Hier können Sie die neueste Version herunterladen:

<https://www.bluettipower.eu/pages/user-guides>

Wenn Sie Fragen oder Bedenken bezüglich dieses Handbuchs haben, wenden Sie sich an den BLUETTI Support, um Unterstützung zu erhalten.

Über dieses Handbuch

Einleitung



Dieses Handbuch enthält Informationen über die Sicherheitshinweise, die Funktionsweise und den grundlegenden Betrieb des Mikrowechselrichters A60. Bitte lesen Sie vor der Benutzung alle Anweisungen in dieser Anleitung.

Zielgruppe

- Mitarbeiter des technischen Supports
- Qualifizierter Elektriker
- Endbenutzer

Gebräuchliche Symbole

Zur Gewährleistung einer sicheren Installation und eines sicheren Betriebs des Mikrowechselrichters und zur Verringerung der Gefahr eines Stromschlags werden in dieser Anleitung die folgenden Sicherheitssymbole verwendet, um auf Gefahren und Vorsichtsmaßnahmen hinzuweisen.

Symbol	Kategorie	Beschreibung
	Gefahr / Warnung	Dieses Symbol weist auf eine gefährliche Situation hin, die, wenn sie nicht vermieden wird, zum Tod oder zu schweren Verletzungen führen kann.
	Hinweis	Dieses Symbol weist auf eine potenziell gefährliche Situation hin, die, wenn sie nicht vermieden wird, zu erheblichen Sach- und Umweltschäden führen kann.

Inhalt

1	Sicherheitsleitfaden	34
1.1	Allgemeine Anforderungen	34
1.2	Installationsanforderungen	35
1.3	Erklärung zu Funkstörungen	36
1.4	Anweisungen zur Erdung	36
1.5	Symbolbeschreibungen	37
2	Mikrowechselrichter	38
2.1	Einleitung	38
2.2	Abmessungen	38
2.3	Klemmen	38
2.4	Anwendungsszenarien	39
3	Installation des Mikrowechselrichters	40
3.1	Packliste	40
3.2	Erforderliche Werkzeuge	42
3.3	Platzbedarf	44
3.4	Installationsverfahren	44
3.5	BLUETTI-App	48
4	Fehlerbehebung und Wartung	49
4.1	Fehlerbehebung	49
4.2	LED-Anzeigen	51
4.3	Prüfung des Isolationswiderstandes	53
4.4	Pflege	53
5	Ausbau und Austausch des Mikrowechselrichters	54
5.1	Entfernen des Wechselrichters	54
5.2	Austauschen des Wechselrichters	55
5.3	Lagerung und Entsorgung des Mikrowechselrichters	55
6	Technische Daten	56

1. Sicherheitshinweise

Studieren Sie dieses Handbuch, um sich über den vorschriftsmäßigen Gebrauch des Produkts und diesbezügliche Sicherheitshinweise zu informieren. Die darin aufgeführten Sicherheitsanforderungen dienen der Veranschaulichung, erheben jedoch keinen Anspruch auf Vollständigkeit. Der tatsächliche Betrieb muss allen geltenden Sicherheitsnormen entsprechen. Bei Fragen wenden Sie sich bitte an den BLUETTI Support oder an Ihren BLUETTI Händler.

1.1. Allgemeine Anforderungen

1.1.1 Erklärung

Zur Gewährleistung eines sicheren Betriebs müssen die folgenden Bedingungen beachtet und eingehalten werden:

- Betreiben oder lagern Sie das Gerät stets unter den in diesem Handbuch genannten Bedingungen.
- Die Installations- und Umgebungsbedingungen müssen den Anforderungen der einschlägigen internationalen, nationalen oder regionalen Normen entsprechen.
- Vermeiden Sie die unbefugte Demontage, den unbefugten Austausch von Bauteilen und die unbefugte Änderung von Softwarecodes.

⚠ *BLUETTI haftet nicht für die folgenden Umstände:*

- Schäden durch Ereignisse höherer Gewalt wie Erdbeben, Brände, Stürme, Überschwemmungen oder Erdbeben.
- Das Produkt erfüllt nicht den Stromversorgungsbedarf für stromabhängige Geräte in kritischen Sektoren wie der Atomenergie, der Luftfahrt, der Medizin und anderen Bereichen, in denen Sicherheit eine ganz besondere Rolle spielt. BLUETTI übernimmt keine Haftung für Vorfälle im Zusammenhang mit der Sicherheit von Personen, Entstehung von Feuer, Fehlfunktionen von Geräten oder für andere nachteilige Folgen, die aus der Verwendung dieses Produkts in Kombination mit solchen Geräten entstehen.
- Schäden, die durch den kundenseitigen Transport verursacht wurden.
- Hardware- oder Systemschäden, die durch Fahrlässigkeit des Kunden, unsachgemäße Bedienung oder vorsätzliche Handlungen verursacht wurden.
- Schäden, die durch Dritte oder Kunden verursacht wurden, einschließlich, aber nicht beschränkt auf unsachgemäße Handhabung und Installation, die nicht mit den Anweisungen in diesem Handbuch übereinstimmen.
- Schäden aufgrund von Anpassungen, Änderungen oder das Entfernen von Etiketten, wenn dies gegen dieses Handbuch verstößt.
- Probleme, die nach Ablauf der Garantiezeit und bei Fehlen einer erweiterten Garantieleistung auftreten.

1.1.2 Sicherheitshinweise

WARNUNG: Bei der Verwendung dieses Geräts sollten immer grundlegende Vorsichtsmaßnahmen beachtet werden, z. B.:

- Installieren, nutzen und warten Sie das Gerät nicht bei ungünstigen Wetterbedingungen wie Gewitter, Regen, Schnee und starkem Wind. (Dies gilt unter anderem für die Handhabung und Bedienung des Geräts und der Kabel, das Anschließen und Trennen von

Signalverbindungen zu Außenanlagen, Arbeiten in der Höhe, Installationen im Freien usw.).

- Schalten Sie vor Arbeiten an der Elektrik stets den Strom ab.
- Zerlegen oder modifizieren das Gerät nicht und führen Sie keine Reparaturen in Eigenarbeit durch.
- Untersuchen Sie das Gerät und sein Zubehör regelmäßig auf Beschädigungen oder Verschleißerscheinungen.
- Prüfen Sie mit einem Prüfgerät, ob gefährliche Spannungen vorhanden sind, bevor Sie einen Leiter oder eine Klemme berühren.
- Wenn das Gehäuse des Geräts beim Transport oder im Betrieb bricht, nehmen Sie es nicht in Gebrauch. Wenden Sie sich an den BLUETTI Support oder an Ihren BLUETTI Händler.
- Verwenden Sie einen Trockenlöscher, wenn das Gerät in Brand gerät.
- Evakuieren Sie im Brandfall sofort das Gebäude oder den betroffenen Bereich, aktivieren Sie den nächstgelegenen Feueralarm und wählen Sie die lokale Notrufnummer (112).
- Verwenden Sie Originalkabel und -zubehör von BLUETTI.
- Halten Sie das Gerät von Wärmequellen oder hohen Temperaturen fern und setzen Sie es nicht direkter Sonneneinstrahlung aus.
- Bewahren Sie das Gerät nicht zusammen mit brennbaren Flüssigkeiten, Gasen oder explosiven Materialien auf.
- Vergewissern Sie sich, dass der Bereich, in dem Sie das Gerät verwenden, gut belüftet ist und ausreichend Platz bietet.
- Wenden Sie sich an den BLUETTI-Support, wenn Ihnen diese Anleitung die Fehlfunktion nicht ausreichend erklären kann.
- Die Lüftungsöffnungen des Geräts dürfen nicht blockiert oder abgedeckt werden, da dies zu einer Verringerung der Stromerzeugung führen kann.

Gesetze und Vorschriften

- Transport, Verdrahtung und Wartung müssen allen geltenden Gesetzen, Vorschriften und Normen entsprechen.
- Benutzerseitig bereitgestellte Materialien und Werkzeuge müssen den Anforderungen der geltenden Gesetze, Vorschriften und einschlägigen Normen entsprechen.

1.2 Installationsanforderungen

- Die Installation und der Austausch sollten nur von qualifizierten Fachleuten durchgeführt werden.
- Trennen Sie das Gerät vor der Installation vom Stromnetz und sorgen Sie für eine Abdeckung oder Isolierung der PV-Module.
- Bevor Sie das Gerät vom DC-Anschluss trennen, müssen Sie es zunächst vom Stromnetz trennen.
- Stellen Sie das Gerät an einem gut belüfteten Ort auf und berühren Sie es nicht, da das Gehäuse während des Betriebs heiß wird.
- Vergewissern Sie sich, dass die Installations- bzw. Lagerumgebung den im Abschnitt „Technische Daten“ genannten Anforderungen entspricht (Schutzklasse, Temperatur, Höhe usw.).
- Im Falle einer Beschädigung des Netzkabels wenden Sie sich bitte umgehend an einen Experten, um es ersetzen zu lassen.

Gefahr

Vermeiden Sie die Arbeit an spannungsführenden elektrischen Bauteilen.

1.2.1 Anforderungen an das Personal

- Die Installation, die Herstellung elektrischer Verbindungen, die Inbetriebnahme, die Wartung, die Fehlerbehebung und das Austauschen eines Geräts dürfen nur von geschulten Fachleuten durchgeführt werden, unter Beachtung der entsprechenden Sicherheitsvorkehrungen und Betriebsverfahren.
- Um das BLUETTI-Gerät bedienen zu können, müssen Fachleute über die entsprechenden Qualifikationen und Zertifizierungen verfügen, die von den örtlichen Aufsichtsbehörden vorgeschrieben sind. Diese Zertifizierungen umfassen Aufgaben wie Hochspannungsarbeiten, Arbeiten in der Höhe und den Umgang mit Spezialgeräten.

1.2.2 Bohranforderungen

Beim Bohren von Löchern in Wänden oder Böden sind die folgenden Sicherheitshinweise zu beachten.

- Tragen Sie stets eine Schutzbrille und Schutzhandschuhe.
- Schirmen Sie das Gerät ab und schützen Sie es, damit keine Fremdkörper hineinfallen können. Entfernen Sie nach dem Bohren alle Verunreinigungen aus der Umgebung.
- Bohren Sie keine Löcher direkt auf dem Gerät, da dies die elektromagnetische Abschirmung beeinträchtigen kann. Außerdem können die beim Bohren anfallenden Metallspäne Kurzschlüsse auf der Leiterplatte verursachen.

1.3 Erklärung zu Funkstörungen

Dieser Mikrowechselrichter wurde getestet und erfüllt die Funknormen, die einen angemessenen Schutz gegen schädliche Störungen bei Installationen in Wohngebieten bieten sollen. Dieser Mikrowechselrichter erzeugt und verwendet Hochfrequenzenergie und kann diese ausstrahlen. Wenn er nicht gemäß den Anweisungen installiert und dennoch verwendet wird, kann er schädliche Störungen des Funkverkehrs verursachen. Es gibt jedoch keine Garantie dafür, dass bei einer bestimmten Installation keine Störungen auftreten.

Wenn dieser Mikrowechselrichter den Radio- oder Fernsehempfang stört, was durch Aus- und Einschalten des Geräts festgestellt werden kann, sollte der Benutzer versuchen, die Störung durch eine oder mehrere der folgenden Maßnahmen zu beheben:







- Die Empfangsantenne neu ausrichten oder an einem anderen Ort platzieren.
- Den Abstand zwischen dem Gerät und dem Empfänger vergrößern.
- Das Gerät an eine Steckdose anschließen, die nicht mit dem Stromkreis verbunden ist, an den der Empfänger angeschlossen ist.
- Von einem Händler oder einem erfahrenen Radio-/Fernsehtechniker Hilfe anfordern.

1.4 Anweisungen zur Erdung

Bei dieser Produktreihe handelt es sich um Geräte der Klasse I mit einem Hochfre-

quenz-Trenntransformator, aber eine Erdung ist dennoch erforderlich. Das Netzkabel enthält einen internen Erdungsdraht zur direkten Verwendung. Um den spezifischen Anforderungen der öffentlichen Versorgungsbetriebe gerecht zu werden, kann das Gerät durch eine Befestigung am Träger mithilfe von Halterungen geerdet werden.

1.5 Symbolbeschreibungen

Symbol	Beschreibung
	Recycling und Entsorgung Elektrogeräte, die das Ende ihrer Lebensdauer erreicht haben, müssen getrennt gesammelt und einer zugelassenen Recyclinganlage zugeführt werden.
	Warnung vor Stromschlag Das Gerät erzeugt während des Betriebs Hochspannung. Installation, Inbetriebnahme und Wartung dürfen nur von qualifiziertem Fachpersonal oder entsprechend geschulten Arbeitskräften durchgeführt werden.
	Warnung Seien Sie vorsichtig. Während des Betriebs können Gefahren auftreten.
	Heiße Oberfläche Das Gerät wird während des Betriebs heiß. Berühren Sie nicht seine Metalloberfläche.
	CE-Kennzeichnung Dieses Gerät entspricht der Niederspannungsrichtlinie für die Europäische Union.
	Anleitung studieren Bitte lesen Sie diese Anleitung sorgfältig durch, bevor Sie das Gerät installieren, bedienen und warten.

Warnung

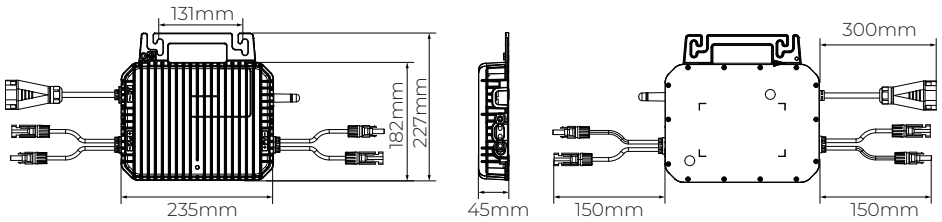
- Die Symbole auf der Verpackung enthalten wichtige Angaben zur Betriebssicherheit.
- Das Typenschild auf der Rückseite der Verpackung enthält wichtige Angaben zu Geräteparametern.

2. Mikrowechselrichter

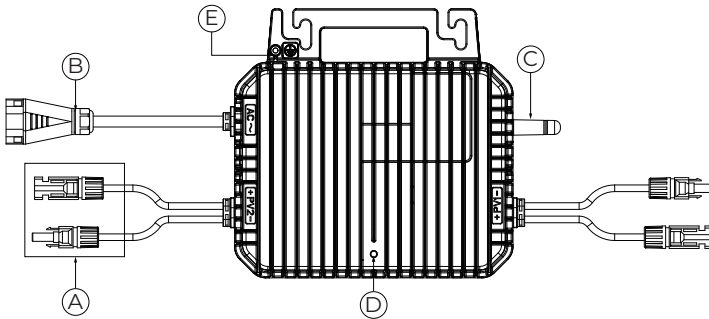
2.1 Einleitung

Der Mikrowechselrichter A80P ist wie ein kleines, aber leistungsfähiges Gehirn für jedes Solarpanel. Er verbindet sich mit jedem einzelnen Modul und optimiert ständig dessen Leistung mit Hilfe der MPPT-Technologie, selbst wenn einige Module im Schatten liegen, verschmutzt sind oder unterschiedliche Lichtverhältnisse herrschen. Er stellt sicher, dass das System auch bei nicht optimalen Bedingungen so viel Strom wie möglich erzeugt, was es insgesamt sehr viel effizienter macht.

2.2 Abmessungen



2.3 Klemmen

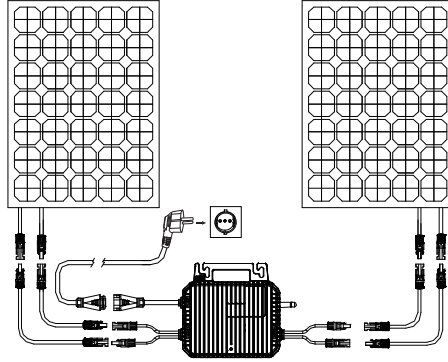


Nr.	Beschreibung
A	DC-Anschluss
B	AC-Anschluss
C	WLAN/Bluetooth-Antenne
D	LED-Anzeige
E	Erdung

2.4 Anwendungsszenarien

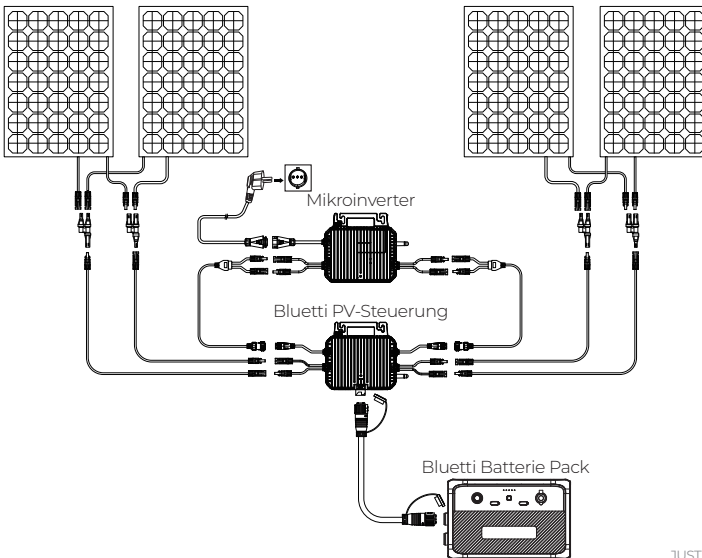
2.4.1 Balkon-Solaranlage

Mit nur einem Mikrowechselrichter A80P und ein paar Solarpaneelen können Sie Ihr eigenes Stromerzeugungssystem einrichten. Schließen Sie einfach das mitgelieferte Verlängerungskabel an eine Haushaltssteckdose an, und schon können Sie die Solarenergie direkt in das Stromnetz Ihres Hauses einspeisen. Es ist eine einfache und bequeme Methode, Strom zu erzeugen und zur Deckung des Energiebedarfs Ihres Haushalts beizutragen.



2.4.2 Balkon-Solaranlage und -Speichersystem

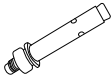

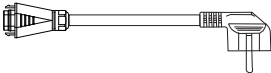

Der Mikro-Wechselrichter A80P kann mit dem PV-Controller Bluetti und den Bluetti-Akkumulatoren zu einem Balkonsolar-Energiespeichersystem kombiniert werden. Dieses System speist nicht nur überschüssige Solarenergie in das Hausnetz ein, sondern speichert sie auch in der Batterie zur späteren Nutzung. Das bedeutet, dass die gespeicherte Energie auch nachts genutzt werden kann, um Ihr Haus zuverlässig und durchgehend mit Strom zu versorgen.



3. Installation des Mikrowechselrichters



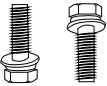
3.1 Packliste

Standardzubehör

Beschreibung	Bild	Anz.
M8*60-Spreizhülsenanker		2
M5*10-Erdungsschrauben		1
Netzkabel(1.8m)		1
Werkzeug zur Demontage von AC-Steckern		1

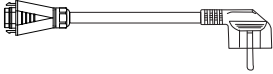




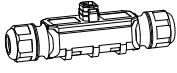
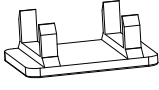

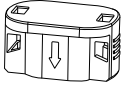
Optionales Zubehör

(Auf der offiziellen BLUETTI Website verfügbar: <https://www.bluettipower.eu>)

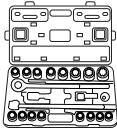
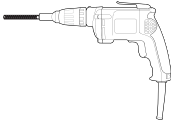



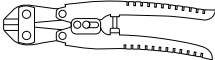
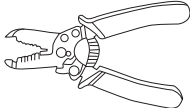
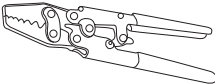
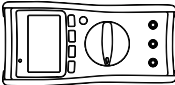

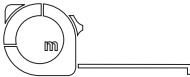
Beschreibung	Bild	Anz.
Rotes MC4-Verlängerungskabel (positiv, 3 m)		2
Schwarzes MC4-Verlängerungskabel (negativ, 3 m)		2
Befestigungsschraube (Halterung)		1

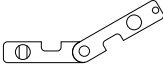
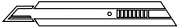

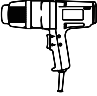
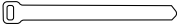





Optionales Zubehör

(Auf der offiziellen BLUETTI Website verfügbar: <https://www.bluettipower.eu>)

Beschreibung	Bild	Anz.
Netzkabel (2.5 m)		1
Rotes MC4-Verlängerungskabel (positiv, 5 m)		1
Schwarzes MC4-Verlängerungskabel (negativ, 5 m)		1
MC4-Verteiler (1 positiv bis 2 negativ)		1
MC4-Verteiler (1 negativ bis 2 positiv)		1
T-Stecker		1
Werkzeug zum Entfernen von T-Steckern		1
Gummistopfen		1
T-Stecker-Gehäuse		1

3.2 Erforderliche Werkzeuge

Nr.	Bild	Beschreibung
1		Steckschlüsselsatz
2		Schlagbohrmaschine (10 mm)
3		Drehmomentschlüssel
4		Schlitzschraubendreher
5		Kreuzschlitzschraubendreher
6		Kabelschneider
7		Abisolierzange
8		Quetschzange für Kabel
9		Multimeter (DC-Spannung ≥ 1000 VDC)
10		Markierstift
11		Maßband

Nr.	Bild	Beschreibung
12		Wasserwaage
13		Teppichmesser
14		Schrumpfschläuche
15		Heißluftpistole
16		Kabelbinder
17		Antistatik-Handschuhe
18		Schutzbrille
19		Maske
20		Sicherheitsschuhe
21		Staubsauger

3.3 Platzbedarf

- Bei der Aufstellung des Mikrowechselrichters muss darauf geachtet werden, dass er weder Sonnenlicht, Regen, Schnee noch UV-Strahlung ausgesetzt ist.
- Lassen Sie um den Mikrowechselrichter herum mindestens 5 cm Platz, um eine gute Luftzirkulation und Wärmeableitung zu gewährleisten.

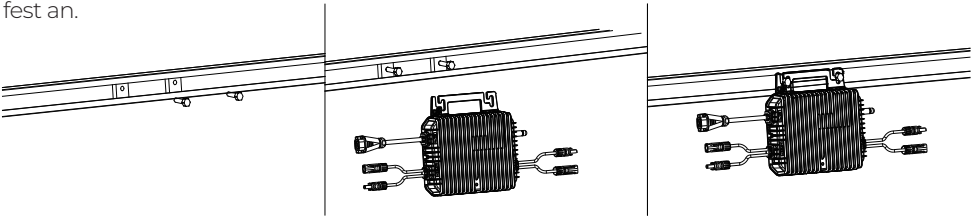
3.4 Installationsverfahren

3.4.1 Balkon-Solaranlage

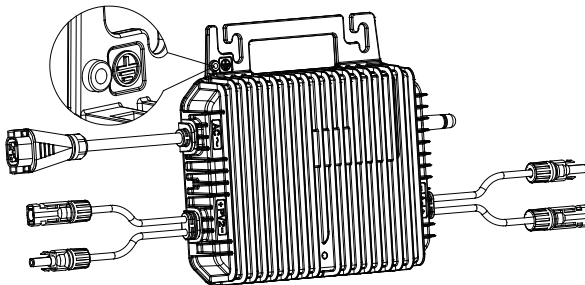
Schritt 1: Montieren Sie den A80P Mikroinverter

Der Mikrowechselrichter A80P bietet eine Reihe von Montagemöglichkeiten für unterschiedliche Anforderungen, z. B. Montage an Wänden, PV-Modulen, Modulträgern und Balkongeländern. In diesem Handbuch wird ein Beispiel für die Montage des Mikrowechselrichters auf einem PV-Modulträger vorgestellt.

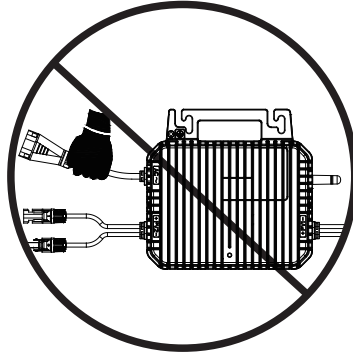
1. Markieren Sie die genaue Stelle, an der Sie den Mikrowechselrichter montieren möchten, und bohren Sie dann die entsprechenden Löcher. Beachten Sie die Anordnung Ihrer PV-Module bzw. Modulträger.
2. Setzen Sie die Schrauben in die gebohrten Löcher ein und ziehen Sie die Schrauben dann leicht an, wobei ein wenig Schraubenlänge für die Befestigung des Mikrowechselrichters übrig gelassen werden muss.
3. Hängen Sie den Mikrowechselrichter in die Schrauben ein und ziehen Sie die Schrauben fest an.



Erdung: In Regionen mit besonderen Erdungsanforderungen kann es erforderlich sein, den externen Teil des Mikrowechselrichters zu erden, auch wenn die Wechselstromquelle oder das Netzkabel bereits einen Erdungsdraht (PE) enthält. Verwenden Sie zur Erdung des Mikrowechselrichters die M5-Schrauben und einen Erdungsdraht mit einem Querschnitt von mindestens 16AWG (1,5 mm²), wie in der Abbildung unten dargestellt.

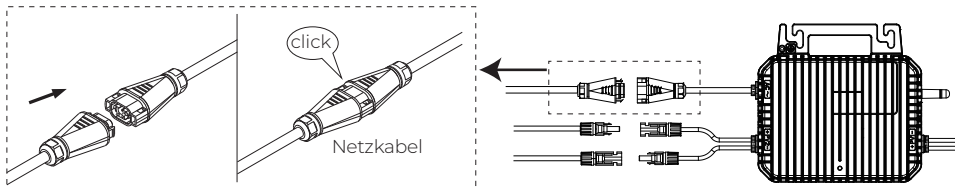


⚠️ Warnung: Achten Sie bei der Installation des Mikrowechselrichters darauf, dass Sie den Kabelstecker festhalten und nicht direkt am Kabel ziehen oder greifen.



Schritt 2: Anschließen des Netzkabels

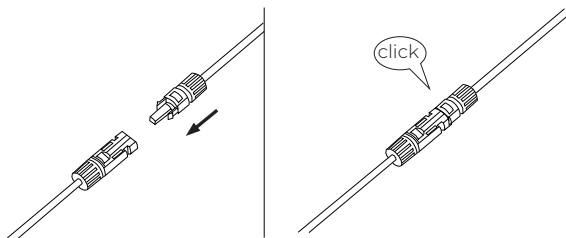
Richten Sie die Stifte der Stecker korrekt aus und drücken Sie die Stecker fest zusammen, bis Sie ein Klicken hören.



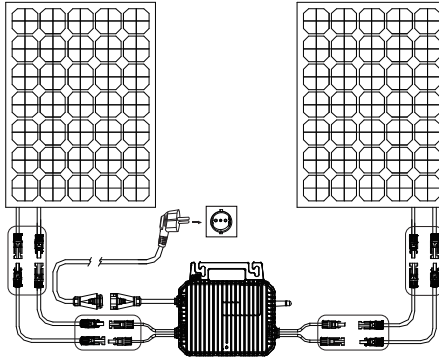
⚠️ Gefahr: Vergewissern Sie sich vor dem Einschalten des AC-Trennschalters, dass alle elektrischen Verbindungen sicher und korrekt hergestellt sind. Schalten Sie den Schalter nicht vorschnell ein, da sonst die Gefahr eines Stromschlags besteht.

Schritt 3: Anschließen des DC-Kabels

Verbinden Sie die MC4-Stecker miteinander. Beim korrekten Einsetzen ist ein Klicken zu hören.



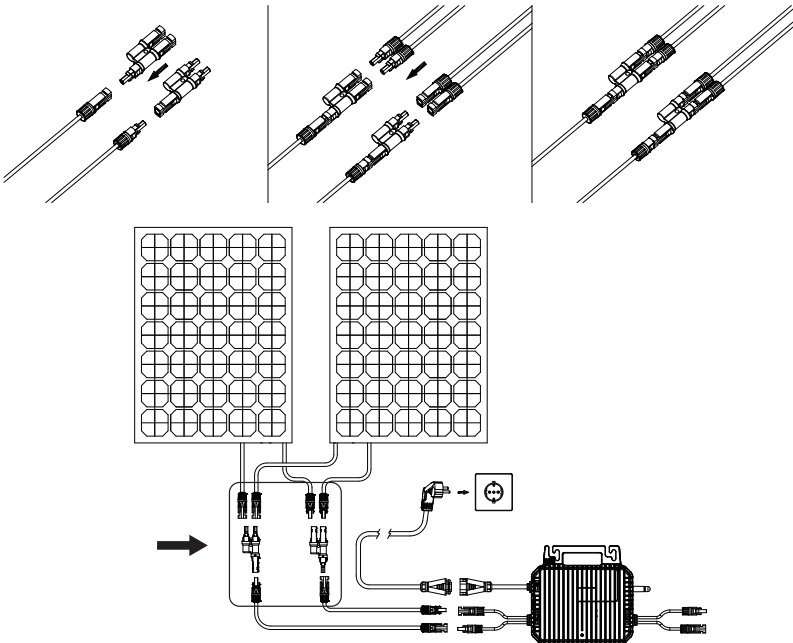
Der Pfeil in der Abbildung unten veranschaulicht die Verbindung.



⚠ Warnung: Die Leerlaufspannung der einzelnen PV-Module darf die Eingangsspannung des Mikrowechselrichters nicht überschreiten.

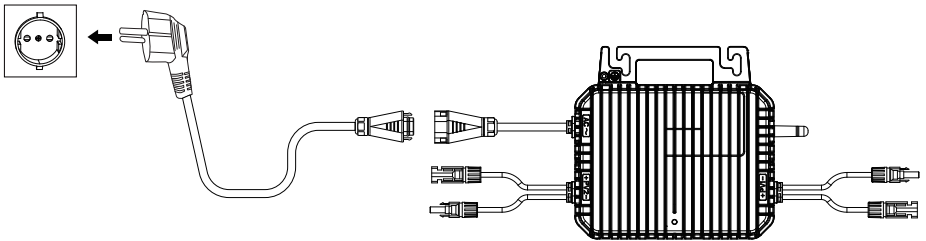
📖 Hinweis:

- Wenn der Mikrowechselrichter weit von den PV-Modulen entfernt ist, verwenden Sie die MC4-Verlängerungskabel, um sie zu verbinden (rot für positiv und schwarz für negativ).
- Wenn Sie zwei PV-Module an einen Mikrowechselrichter anschließen, verwenden Sie den MC4-Verteiler.
- Wenn Sie ein längeres MC4-Kabel benötigen, können Sie dieses auf der offiziellen BLUETTI-Website unter <https://www.bluettipower.eu> erwerben.



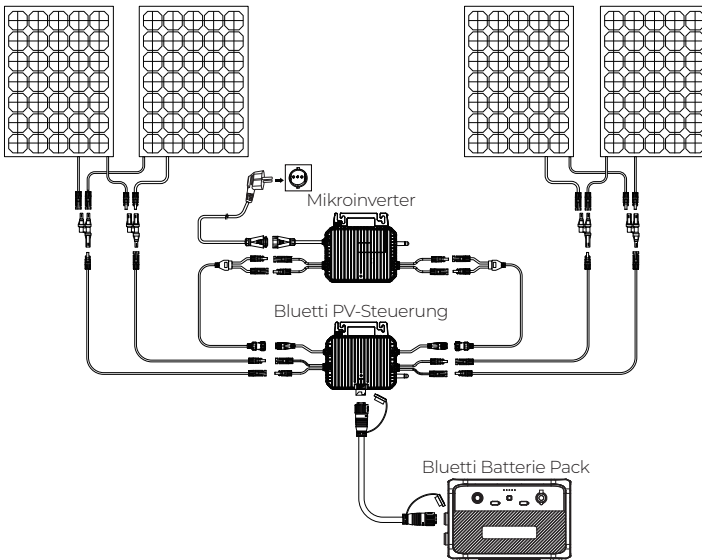
Schritt 4: Einbindung in das Haushaltsversorgungssystem

Schließen Sie den Mikrowechselrichter an eine Steckdose an. Das System beginnt mit der Stromerzeugung innerhalb von etwa 1 Minute, nachdem es erfolgreich in das Stromnetz des Hauses integriert wurde.



3.4.2 Balkon-Solaranlage und -Speichersystem

Die Montage des gesamten Systems wird im Folgenden anhand eines Beispiels für den Anschluss von 4 PV-Modulen dargestellt.



Anweisungen hierzu finden Sie im Controller-Benutzerhandbuch des Bluetti .

3.5 BLUETTI-App

Mit der BLUETTI-App können Sie den Betriebsstatus Ihres Mikrowechselrichters bequem überwachen, seine Netzwerkeinstellungen konfigurieren und Fehlermeldungen jederzeit und von jedem Ort aus erhalten.

Scannen Sie den nachstehenden QR-Code, um die "BLUETTI"-App herunterzuladen, oder suchen Sie im App Store oder bei Google Play nach „BLUETTI“.



Unterstützte Betriebssysteme: iOS 11.0 oder höher, Android 8.0 oder höher.

Detaillierte Anweisungen zur Überwachung und Steuerung des Wechselrichters über die App finden Sie im Benutzerhandbuch für die BLUETTI-App.

4. Fehlerbehebung und Wartung

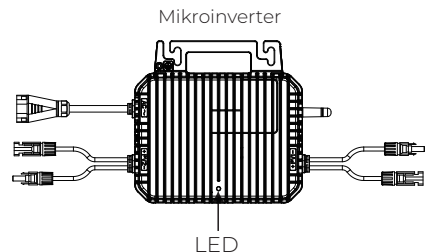
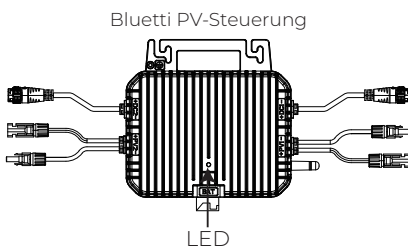
4.1 Fehlerbehebung

Fehlercode	Beschreibung	Fehlerbehebung
C001	Batterieüberspannung	1. Prüfen Sie, ob die Kabel und Anschlüsse richtig angeschlossen sind. 2. Starten Sie das System neu, falls die Verbindungen korrekt sind. Wenn nicht alle Verbindungen korrekt sind, beheben Sie die inkorrekten Verbindungen und starten Sie das Gerät neu. 3. Wenn das Problem weiterhin besteht, wenden Sie sich an den BLUETTI-Support.
C002	Batterieunterspannung	
C003	Batterieüberstrom	
C008	Schlechter Kontakt zum Batterieanschluss	
C015	Systemtemperatur hoch	1. Prüfen Sie, ob die Betriebsumgebung gut belüftet ist und die Umgebungstemperatur in einem moderaten Bereich bleibt. 2. Wenn die Bedingungen angemessen sind, wenden Sie sich an den BLUETTI-Support.
C016	Systemtemperatur niedrig	
C017	AC-Überspannung	1. Prüfen Sie, ob die Netzspannung innerhalb des festgelegten Bereichs liegt. 2. Wenden Sie sich bei Bedarf an das örtliche Energieversorgungsunternehmen oder den Installateur, um die Einstellung vorzunehmen.
C018	AC-Unterspannung	
C019	AC-Überfrequenz	1. Prüfen Sie, ob die Netzfrequenz innerhalb des festgelegten Bereichs liegt. 2. Wenden Sie sich bei Bedarf an das örtliche Energieversorgungsunternehmen oder den Installateur, um die Einstellung vorzunehmen.
C020	AC-Unterfrequenz	
C021	AC-Umkehrphase	1. Prüfen Sie, ob die Netzkabelanschlüsse korrekt sind. 2. Wenn sie falsch ist, korrigieren Sie die Anschlüsse; wenn sie korrekt sind, wenden Sie sich bitte an den BLUETTI-Support.
C025	Netzunabhängige Spannung ungewöhnlich	
C026	Netzunabhängige Frequenz ungewöhnlich	
C027	Überlastung des AC-Ausgangs	1. Prüfen Sie, ob der Stromverbrauch der angeschlossenen AC-Geräte zu hoch ist. 2. Verringern Sie gegebenenfalls die Last. Wenden Sie sich alternativ an den BLUETTI-Support.

C029	Ausfall der AC-Phasensperre	1. Prüfen Sie, ob die Netzkabelanschlüsse korrekt sind. 2. Wenn sie falsch ist, korrigieren Sie die Anschlüsse; wenn sie korrekt sind, wenden Sie sich bitte an den BLUETTI-Support.
C030	Störung AC-Softstart	
C033	Überspannung PV1	1. Vergewissern Sie sich, dass die PV-Eingangsspannung zwischen 20 V und 55 VDC liegt. 2. Wenden Sie sich an den BLUETTI-Support, wenn die Spannung im normalen Bereich liegt.
C034	Überspannung PV2	
C035	Überspannung PV3	
C036	Überspannung PV4	
C037	Überstrom PV1	1. Prüfen Sie, ob der Kurzschlussstrom des einzelnen MPPT innerhalb von 20 A liegt. 2. Wenden Sie sich an den BLUETTI-Support, wenn die Spannung im normalen Bereich liegt.
C038	Überstrom PV2	
C039	Überstrom PV3	
C040	Überstrom PV4	
C041	Übertemperatur PV1	1. Prüfen Sie, ob die Betriebsumgebung gut belüftet ist und die Umgebungstemperatur in einem moderaten Bereich bleibt. 2. Wenn die Bedingungen angemessen sind, wenden Sie sich an den BLUETTI-Support.
C042	Übertemperatur PV2	
C043	Übertemperatur PV3	
C044	Übertemperatur PV4	
C051	Falsche DSP-Softwareversion	Aktualisieren Sie die System-Firmware auf die neueste Version. Wenn das Problem weiterhin auftritt, kontaktieren Sie bitte den BLUETTI Support.
C061	Fehler bei der Synchronisierung von Dienstprogrammen	Prüfen Sie, ob die Kabel und Anschlüsse richtig angeschlossen sind. Wenn das Problem weiterhin auftritt, kontaktieren Sie bitte den BLUETTI Support.
C062	Fehler bei der Synchronisierung von Trägern	

C070	Fehler der Akkumulator-Kommunikation	1. Prüfen Sie, ob die Kabel und Anschlüsse richtig angeschlossen sind.
C071	Kommunikationsfehler der Wechselrichtergruppe	2. Starten Sie das System neu, falls die Verbindungen korrekt sind. Wenn nicht alle Verbindungen korrekt sind, beheben Sie die inkorrekten Verbindungen und starten Sie das Gerät neu.
C074	Störung BMS-System	3. Wenn das Problem weiterhin auftritt, kontaktieren Sie bitte den BLUETTI-Support.
Sonstige	/	1. Etwa 1 Minute lang warten. Wenn das Problem weiterhin besteht, trennen Sie den PV-Anschluss und anschließend den Netzananschluss. Schließen Sie beide wieder an, wenn die Systemanzeigen erlöschen. 2. Wenn das Problem weiterhin auftritt, kontaktieren Sie bitte den BLUETTI Support.

4.2 LED-Anzeigen



Solaranlage auf Balkon (einzelner Mikrowechselrichter)

Mikro-Wechselrichter-Anzeige	Beschreibung
Schnell grün blinkend (1-Sekunden-Intervall)	Das System wird hochgefahren.
Schnell grün blinkend (0,6-Sekunden-Intervall)	Die Systemfirmware wird aktualisiert.
Langsam grün blinkend (2-Sekunden-Intervall)	Der Systemalarm wird erkannt.
Stetig grün	Das System erzeugt Strom und die Netzwerkverbindung ist normal.
Gelb blinkend	Das System erzeugt zwar Strom, aber es gibt ein Problem mit der Netzwerkverbindung.
Stetig rot	Es liegt ein Systemfehler vor und die Stromerzeugung wurde unterbrochen.

Balkon-Solaranlage und -Speichersystem (Mikrowechselrichter + Bluetti PV-Steuerung)

Bluetti PV-Steuerung-Anzeige	Mikrowechselrichteranzeige	B210-Anzeige	Beschreibung
Grün blinkend	Grün blinkend	/	Das System wird hochgefahren.
Stetig grün	Stetig grün	/	PV-Module oder die Bluetti Battery Packs versorgen Haushaltsgeräte mit Strom.
Stetig grün	/	/	Die Bluetti Batteriepack werden von PV-Modulen geladen.
Gelb blinkend	/	/	Die Systemkommunikation ist gestört.
/	Gelb blinkend	/	Die Systemkommunikation ist gestört.
Stetig rot	/	/	Der Solarladeregler-Funktionsstörungen.
/	Stetig rot	/	Der Mikro-Wechselrichter hat Funktionsstörungen.
/	/	Grün blinkend	Das Akkupaket-Funktionsstörungen.

Hinweis:


Sowohl der Mikrowechselrichter Der Mikro-Wechselrichter als auch der Der Solarladeregler werden über die DC-Seite versorgt. Wenn die LED-Anzeige nicht leuchtet, überprüfen Sie bitte den Anschluss auf der DC-Seite. Wenn der Anschluss und die Eingangsspannung normal sind, wenden Sie sich bitte an Ihren örtlichen BLUETTI-Händler oder den BLUETTI-Support.


4.3 Prüfung des Isolationswiderstandes


Der Mikro-Wechselrichter ist mit einem speziellen Widerstandssensor ausgestattet, der den Widerstand zwischen dem Ausgang des PV-Moduls und der Erde misst. Wenn es Probleme mit der Isolierung des PV-Moduls, der DC-Verkabelung oder den Steckern gibt, kann dies zu einer Verringerung des Widerstands führen. Wenn der Widerstand unter den voreingestellten Schwellenwert fällt, schaltet sich das System automatisch aus und meldet den Fehler in der BLUETTI-App. Detaillierte Informationen finden Sie im beiliegenden Benutzerhandbuch für die BLUETTI-App.

4.4 Pflege

- Während des normalen Betriebs müssen die Umgebungsbedingungen regelmäßig überprüft werden, um sicherzustellen, dass der Mikrowechselrichter vor ungünstigen Witterungsbedingungen geschützt bleibt.
- Halten Sie die Wärmeabfuhrkanäle des Mikrowechselrichters frei, um Probleme aufgrund von Überhitzung zu vermeiden.
- Verwenden Sie den Wechselrichter nicht, wenn Probleme festgestellt werden. Warten Sie, bis das Problem behoben ist, bevor Sie den normalen Betrieb wieder aufnehmen.
- Führen Sie jährliche Inspektionen aller Komponenten durch und reinigen Sie die Geräte regelmäßig.
- Wartungsarbeiten dürfen nur von autorisiertem Personal durchgeführt werden.

 **Gefahr:** Versuchen Sie aus Sicherheitsgründen und zur Aufrechterhaltung der Isolationsleistung nicht, den Mikrowechselrichter und den Solarladeregler selbst zu zerlegen oder zu reparieren.

 **Warnung:** Sofern nicht anders angegeben, dürfen Wartungsarbeiten nur durchgeführt werden, nachdem die Anlage vom Netz und von den PV-Modulen getrennt wurde.

 **Hinweis:** Bitte wenden Sie sich an den BLUETTI-Support, wenn Ihnen diese Anleitung die Fehlfunktion nicht ausreichend erklären kann.

5. Ausbau und Austausch des Mikrowechselrichters

5.1 Entfernen des Wechselrichters

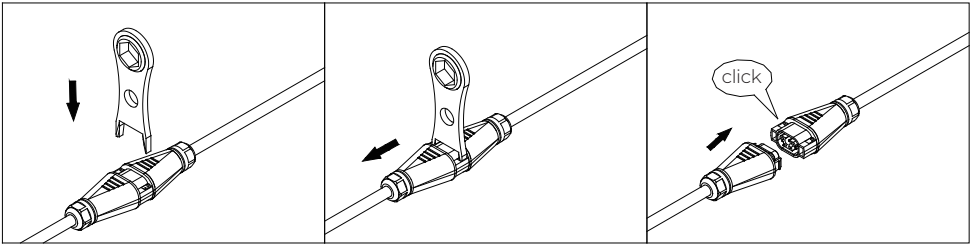
Schritt 1: Trennen des Mikrowechselrichters vom Netz

Balkon-Solaranlage: Ziehen Sie den Stecker des Netzkabels aus der Steckdose.

Schritt 2: Trennen des Netzkabels

1. Führen Sie das Demontagewerkzeug für den AC-Stecker in die Demontageöffnung des Steckers ein.

2. Ziehen Sie vorsichtig am Werkzeug, um den AC-Stecker vom AC-Stecker des Mikrowechselrichters zu trennen.



Schritt 3: Trennen des DC-Kabels

Schritt 4: Entfernen des Mikrowechselrichters aus dem Modulträger

5.2 Austauschen des Wechselrichters

Installieren Sie den neuen Mikro-Wechselrichter ordnungsgemäß. Schalten Sie ihn ein und überprüfen Sie die Anzeige auf normalen Betrieb. Falls erforderlich, können Sie die BLUETTI App verwenden, um das Gerät zu aktualisieren und die Netzwerkeinstellungen für eine optimale Leistung zu konfigurieren.

5.3 Lagerung und Entsorgung des Mikrowechselrichters

- Lagern Sie den Mikrowechselrichter an einem kühlen und trockenen Ort und halten Sie ihn von entflammaren oder brennbaren Materialien und Gasen fern.
- Das Produkt kann bei Temperaturen zwischen -40 und 85 °C sicher gelagert werden.
- Bevor Sie einen Mikrowechselrichter, der längere Zeit nicht benutzt wurde, wieder in Betrieb nehmen, müssen die Kabel und das Gehäuse des Geräts gründlich überprüft werden. Wenn Sie eine Beschädigung oder Verschlechterung feststellen, nehmen Sie das Gerät nicht wieder in Betrieb und wenden Sie sich an den BLUETTI-Support.
- Die Module und Komponenten des Mikrowechselrichters können die Umwelt verschmutzen. Bitte beachten Sie die örtlichen Vorschriften und Richtlinien zur ordnungsgemäßen Entsorgung, wenn der Mikrowechselrichter das Ende seines Lebenszyklus erreicht hat.

6. Technische Daten

Modell		A60	A80	A100
DC-Eingang				
Anzahl der MPPTs		2		
Max. Eingangsleistung pro MPPT		380 W	500 W	650 W
Max. Eingangsspannung		60 V		
Anlaufspannung		18 V DC bis 25 V DC		
MPPT-Spannungsbereich		28 V DC bis 55 V DC		
Max. Eingangsstrom pro MPPT		15 A		
Kurzschlussstrom pro MPPT		20 A		
AC-Ausgang				
Leistung		600 W	800 W	1000 W
Spannung		230 V		
Strom		2,6 A	3,5 A	4,35 A
Frequenz		50 Hz/60 Hz		
Gesamtoberschwingungsgehalt (THD) (Nennleistung)		< 5 %	< 5 %	< 5 %
Leistungsfaktor		> 0,99 (0,80 voreilend - 0,80 nacheilend)		
Max. Geräte pro Zweig		11	8	6
Effizienz				
Laden mit PV	Höchste Effizienz	96,5%		
	CEC-Effizienz	95%		
PV-Wechselrichter	Höchste Effizienz	96,5%		
	CEC-Effizienz	95%		
MPPT-Effizienz		99%		
Schutz				
Schutz vor Inselbildung („Anti-Islanding“)		Ja		
DC-Verpolungsschutz		Ja		
Überstromschutz Ausgang		Ja		
Kurzschlusschutz Ausgang		Ja		
Überspannungsschutz		II (DC) / III (AC)		

Mechanische Parameter	
Schutzklasse	IP67
Arbeitshöhe	3000 m (Wenn der Mikrowechselrichter in Höhen über 3000 m betrieben wird, reduziert sich seine Ausgangsleistung.)
Kühlungsmethode	Natürliche Kühlung
Topologie	Isolierung
Signalübertragung	WLAN/Bluetooth
Standby-Leistung während der Nacht	< 50 mW
Lärmpegel	40 dB
Abmessungen (L × B × H)	235 mm × 227 mm × 45 mm
Nettogewicht	6,8 lbs / 3,1 kg
Allgemeine Parameter	
Umgebungsbedingungen Temperaturbereich	-40 °C bis 65 °C (Wenn der Mikrowechselrichter bei Temperaturen über 40 °C betrieben wird, verringert sich sein Wirkungsgrad.)
Aufbewahrungstemperatur	-40 °C bis 85 °C
Luftfeuchtigkeit im Betrieb	0 % bis 100 %
Luftfeuchtigkeit bei Lagerung	0 % bis 100 %
Garantie	10 Jahre (Informationen zur erweiterten Garantie finden Sie in den Allgemeinen Geschäftsbedingungen von BLUETTI.)

For more information, please visit:



@ BLUETTI Support
@ BLUETTI Official



DE: @Bluetti Deutschland
UK: @Bluetti United Kingdom



DE: @bluetti_de
UK: @bluetti_uk

EU | REP

Company: POWEROAK GmbH
Address: Lise-Meitner-Str. 14 28816
Stuhr Germany
Email: sale-de@bluettipower.com

UK | REP

Company: POWEROAK ENERGY UK CO.,LTD
Address: Unit 2 NorthGate, Bolsover Business Park,
Woodhouse Lane Chesterfield England, S44 6BD
Email: sale-uk@bluettipower.com

Customer Service(DE)

Tel: **+49 8006 273016**

Monday to Friday 9:00 - 17:00
(local time)

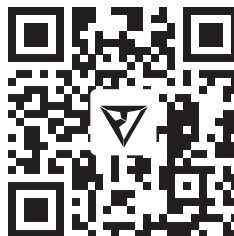
Customer Service(UK)

Tel: **+44 8000 472906**

Monday to Friday 9:00 - 17:00 (local time)

SHENZHEN POWEROAK NEWENER CO., LTD.

Address: F19, BLD No.1, Kaidaer, Tongsha Rd No.168,
Xili Street, Nanshan, Shenzhen, China





BLUETTI



Certificate

Inspector: _____

QC: _____

Just Power On

P/N: 17.0303.0772-01A1