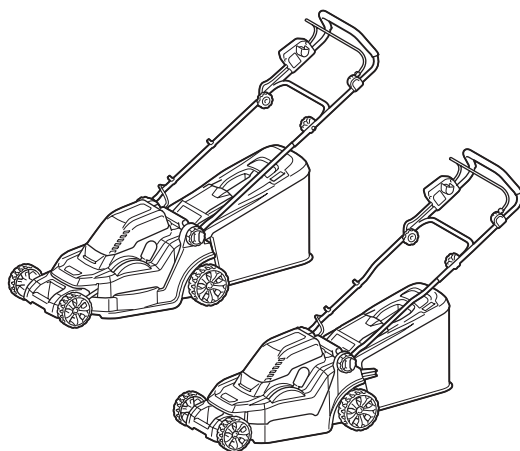




|           |                                     |                                |            |
|-----------|-------------------------------------|--------------------------------|------------|
| <b>EN</b> | <b>Cordless Lawn Mower</b>          | <b>INSTRUCTION MANUAL</b>      | <b>7</b>   |
| <b>FR</b> | <b>Tondeuse Sans Fil</b>            | <b>MANUEL D'INSTRUCTIONS</b>   | <b>17</b>  |
| <b>DE</b> | <b>Akku Rasenmäher</b>              | <b>BETRIEBSANLEITUNG</b>       | <b>29</b>  |
| <b>IT</b> | <b>Tosaerba a batteria</b>          | <b>ISTRUZIONI PER L'USO</b>    | <b>41</b>  |
| <b>NL</b> | <b>Accugrasmaaier</b>               | <b>GEBRUIKSAANWIJZING</b>      | <b>53</b>  |
| <b>ES</b> | <b>Cortadora de Césped</b>          | <b>MANUAL DE INSTRUCCIONES</b> | <b>65</b>  |
| <b>PT</b> | <b>Cortadora de Grama a Bateria</b> | <b>MANUAL DE INSTRUÇÕES</b>    | <b>77</b>  |
| <b>EL</b> | <b>Μηχανή γκαζόν με μπαταρία</b>    | <b>ΕΓΧΕΙΡΙΔΙΟ ΟΔΗΓΙΩΝ</b>      | <b>88</b>  |
| <b>TR</b> | <b>Akülü Çim Biçme Makinesi</b>     | <b>KULLANMA KILAVUZU</b>       | <b>101</b> |

**DLM382**  
**DLM432**



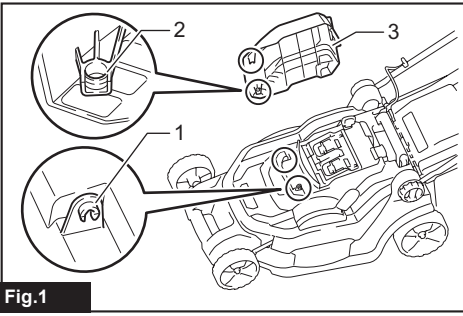


Fig.1

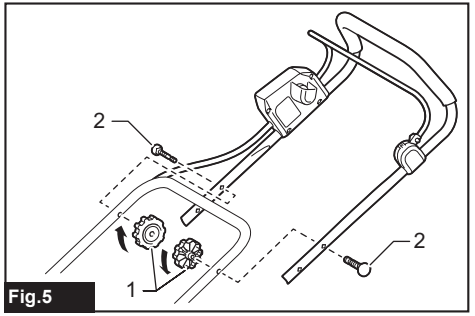


Fig.5

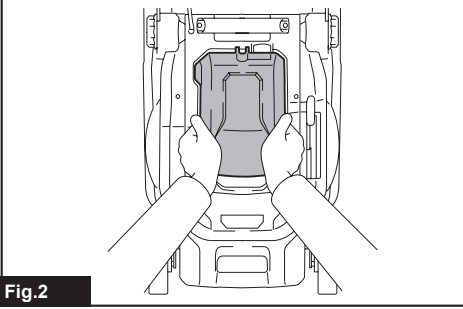


Fig.2

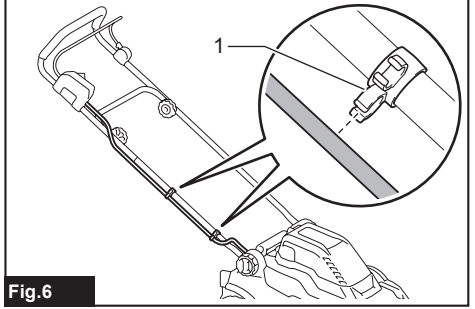


Fig.6

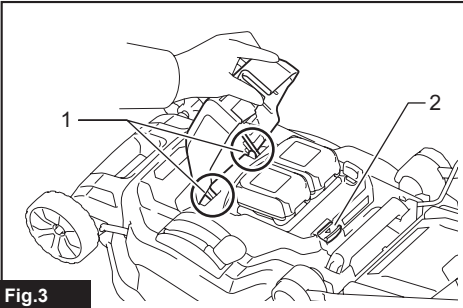


Fig.3

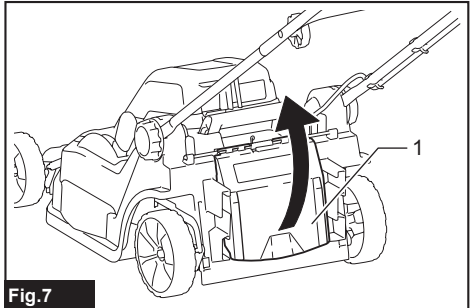


Fig.7

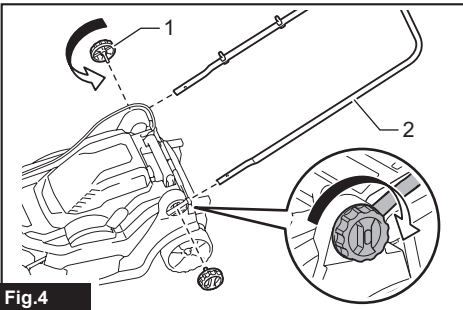


Fig.4

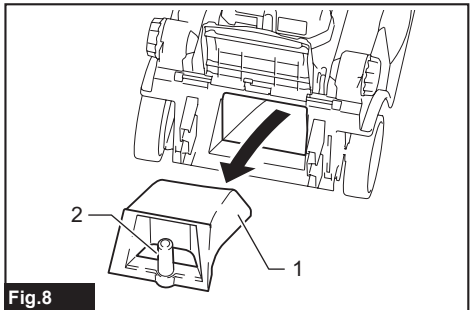


Fig.8

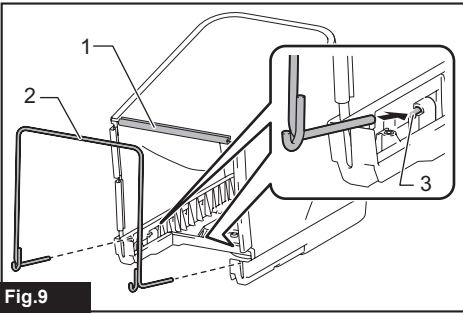


Fig.9

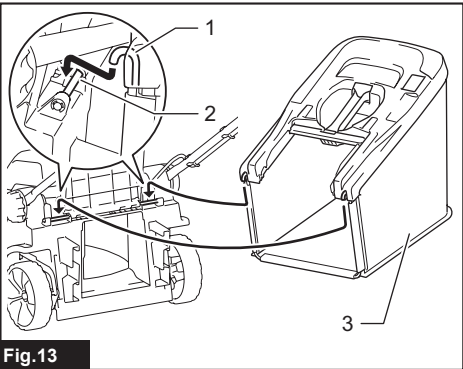


Fig.13

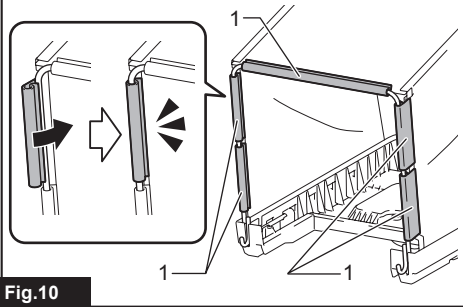


Fig.10

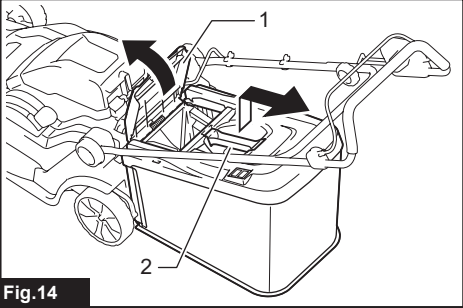


Fig.14

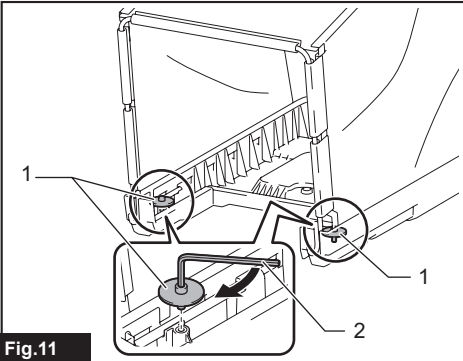


Fig.11

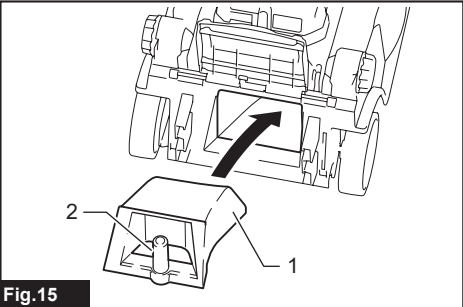


Fig.15

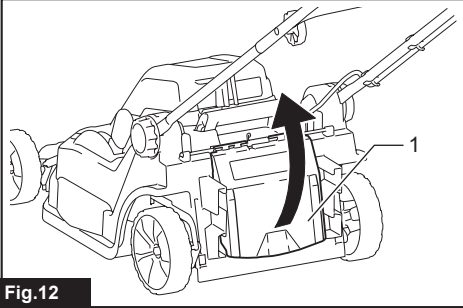


Fig.12

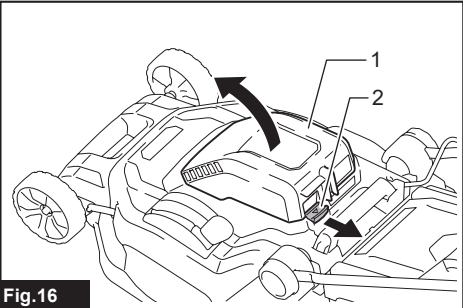


Fig.16

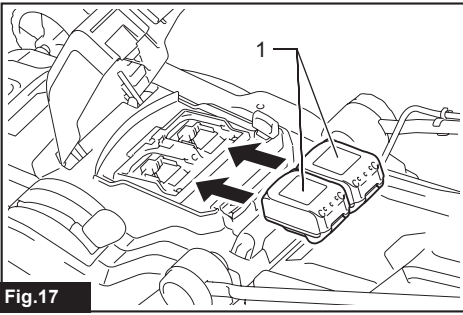


Fig.17

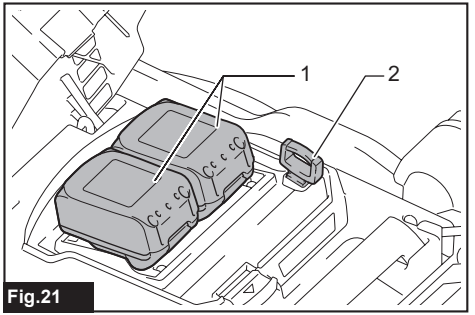


Fig.21

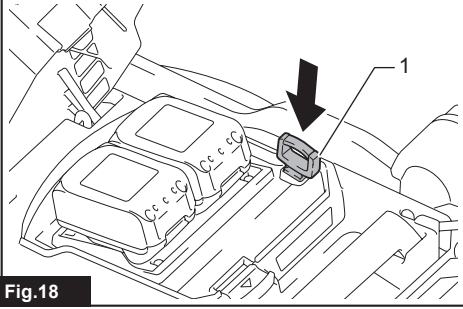


Fig.18

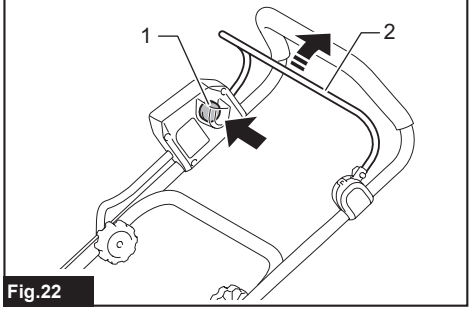


Fig.22

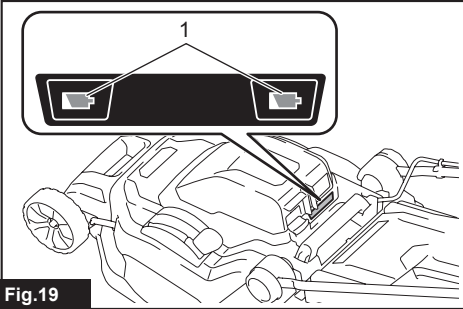


Fig.19

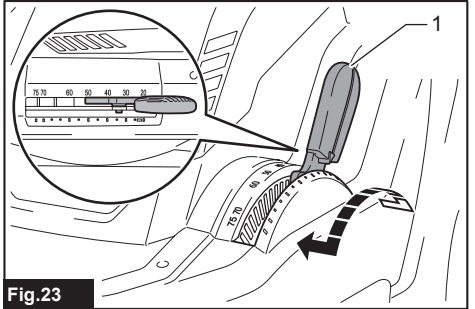


Fig.23

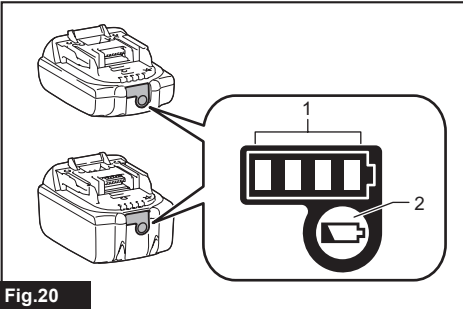


Fig.20

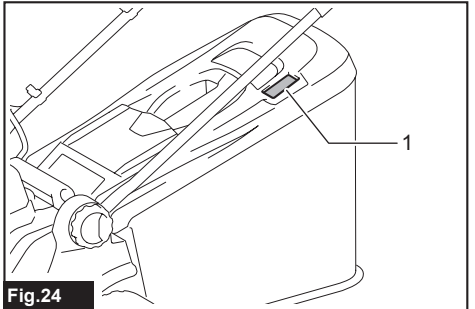


Fig.24



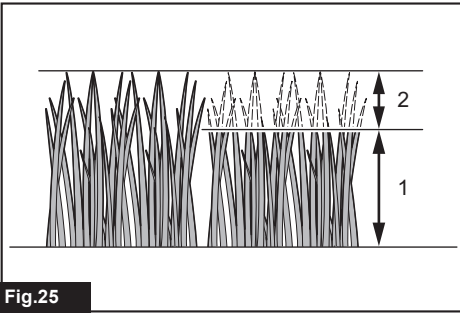


Fig.25

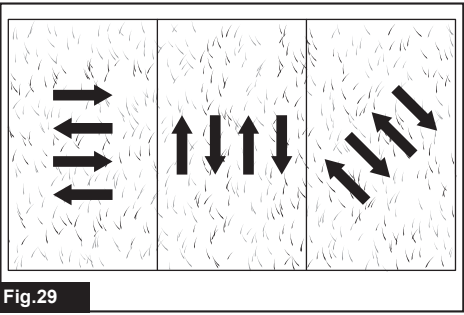


Fig.29



Fig.26

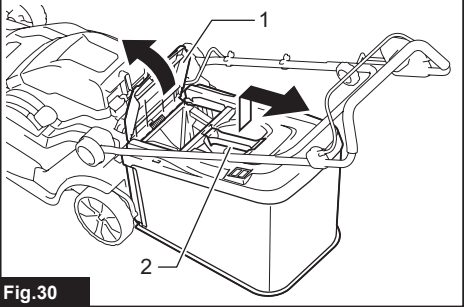


Fig.30

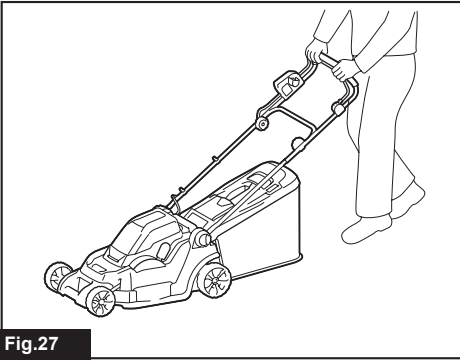


Fig.27

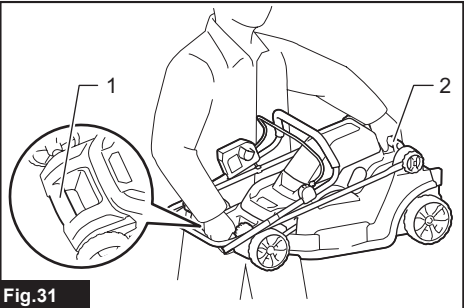


Fig.31

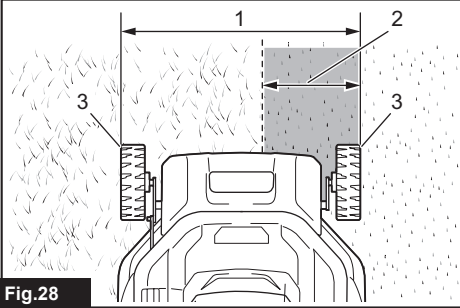


Fig.28

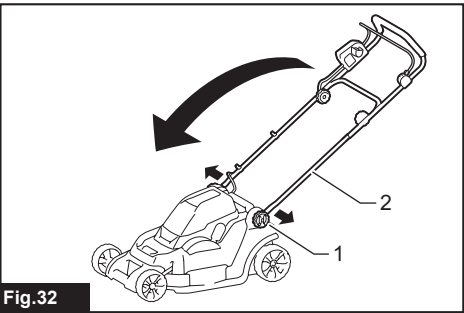
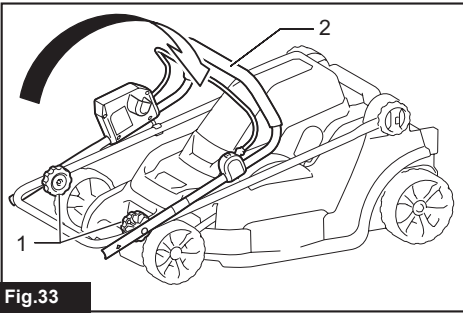
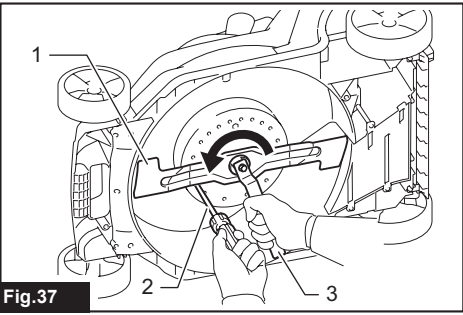


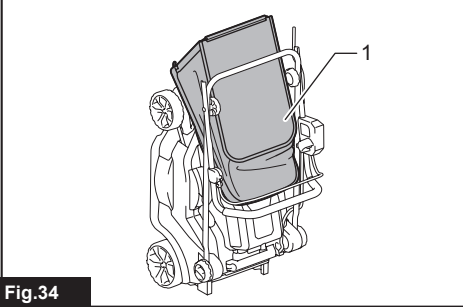
Fig.32



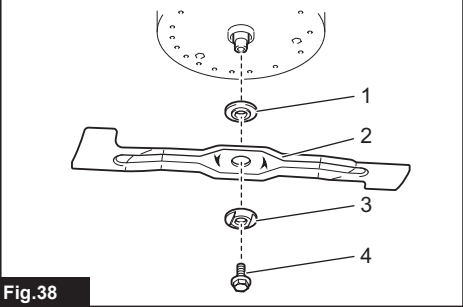
**Fig.33**



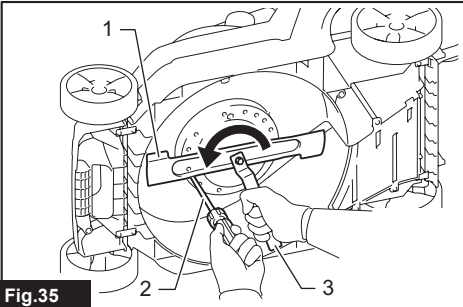
**Fig.37**



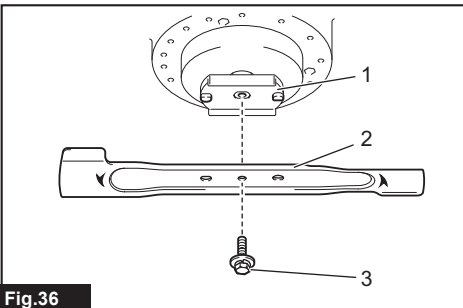
**Fig.34**



**Fig.38**



**Fig.35**



**Fig.36**

# SPECIFICATIONS

| Model:                                 |                                       | DLM382  | DLM432  |
|--|---------------------------------------|---|---|
| Mowing width (blade diameter)          |                                       | 380 mm  | 430 mm  |
| No load speed                          |                                       | 3,700 min <sup>-1</sup>                                       | 3,600 min <sup>-1</sup>   |
| Part number of replacement mower blade |                                       | 191D41-2  | 191D43-8  |
| Dimensions<br>(L x W x H)              | during operation                      | L: 1,380 mm to 1,410 mm<br>W: 450 mm<br>H: 985 mm to 1,005 mm | L: 1,435 mm to 1,490 mm<br>W: 460 mm<br>H: 1,005 mm to 1,045 mm |
|  | when stored<br>(without grass basket) | 860 mm x 450 mm x 475 mm                                      | 865 mm x 460 mm x 475 mm  |
| Rated voltage                          |                                       | D.C. 36 V   |   |
| Net weight                             |                                       | 15.5 - 16.5 kg  | 16.0 - 16.9 kg  |

- Due to our continuing program of research and development, the specifications herein are subject to change without notice.
- Specifications may differ from country to country.
- The net weight value includes the lightest and heaviest combination of the attachment(s) and battery cartridge(s) which are specified in the instruction manual.

## Applicable battery cartridge and charger

|                   |   |
|-------------------|---|
| Battery cartridge | BL1830B / BL1840B / BL1850B / BL1860B                                 |
| Charger           | DC18RC / DC18RD / DC18RE / DC18SD / DC18SE / DC18SF / DC18SH / DC18WC |




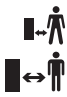


- Some of the battery cartridges and chargers listed above may not be available depending on your region of residence.




**⚠ WARNING: Only use the battery cartridges and chargers listed above.** Use of any other battery cartridges and chargers may cause injury and/or fire.

**⚠ WARNING: Do not use a corded power supply such as battery adapter or portable power pack with this machine.** The cable of such power supply may hinder the operation and result in personal injury.

## Symbols

The followings show the symbols which may be used for the equipment. Be sure that you understand their meaning before use.

|  |  |
|--|--|
|  | Take particular care and attention.  |
|  | Read instruction manual.   |
|  | Danger; be aware of thrown objects.  |
|  | The distance between the tool and bystanders must be at least 15 m.  |
|  | Never put your hands and feet near the mower blade under the mower. Mower blades continue to rotate after the motor is switched off. |
|  | Remove the lock key before inspecting, adjusting, cleaning, servicing, leaving and storing the mower.                                |

|   |  |
|---|--|
|   | Warning; Disconnect battery before maintenance.                        |
|  | Guaranteed sound power level according to EU Outdoor Noise Directive.  |
|  | Sound power level according to Australia NSW Noise Control Regulation. |



#### Only for EU countries

Due to the presence of hazardous components in the equipment, waste electrical and electronic equipment, accumulators and batteries may have a negative impact on the environment and human health. Do not dispose of electrical and electronic appliances or batteries with household waste!

In accordance with the European Directive on waste electrical and electronic equipment and on accumulators and batteries and waste accumulators and batteries, as well as their adaptation to national law, waste electrical equipment, batteries and accumulators should be stored separately and delivered to a separate collection point for municipal waste, operating in accordance with the regulations on environmental protection.

This is indicated by the symbol of the crossed-out wheeled bin placed on the equipment.

## Intended use

The machine is intended for lawn mowing.

## Noise

The typical A-weighted noise level determined according to EN IEC 62841-4-3:

| Model  | Measured sound power level ( $L_{WA}$ ) : (dB(A)) | Guaranteed sound power level ( $L_{WA}$ ) : (dB(A)) |
|--------|---|---|
| DLM382 | 91  | 94  |
| DLM432 | 92  | 95  |

| Model  | Sound pressure level ( $L_{pA}$ ) : (dB(A)) | Uncertainty for sound pressure level (K) : (dB(A)) |
|--------|---|--|
| DLM382 | 81  | 3  |
| DLM432 | 81  | 3  |

**NOTE:** The declared noise emission value(s) has been measured in accordance with a standard test method and may be used for comparing one tool with another.

**NOTE:** The declared noise emission value(s) can also be used in a preliminary assessment of exposure.

**⚠WARNING:** Wear ear protection.

**⚠WARNING:** The noise emission during actual use of the power tool can differ from the declared total value(s) depending on the ways in which the tool is used.

**⚠WARNING:** Be sure to identify safety measures to protect the operator that are based on an estimation of exposure in the actual conditions of use (taking account of all parts of the operating cycle such as the times when the tool is switched off and when it is running idle in addition to the trigger time).

## Vibration

The continuous vibration total value (tri-axial vector sum) determined according to EN IEC 62841-4-3:

### Model DLM382

Vibration emission ( $a_h$ ) : 2.5 m/s<sup>2</sup> or less  
Uncertainty (K) : 2.0 m/s<sup>2</sup>

### Model DLM432

Vibration emission ( $a_h$ ) : 2.5 m/s<sup>2</sup> or less  
Uncertainty (K) : 1.5 m/s<sup>2</sup>

**NOTE:** The declared vibration total value(s) has been measured in accordance with a standard test method and may be used for comparing one tool with another.

**NOTE:** The declared vibration total value(s) can also be used in a preliminary assessment of exposure.

**⚠WARNING:** The vibration emission during actual use of the power tool can differ from the declared total value(s) depending on the ways in which the tool is used.

**⚠WARNING:** Be sure to identify safety measures to protect the operator that are based on an estimation of exposure in the actual conditions of use (taking account of all parts of the operating cycle such as the times when the tool is switched off and when it is running idle in addition to the trigger time).

## Declarations of Conformity

### For European countries only

The Declarations of conformity are included in Annex A to this instruction manual.

## SAFETY WARNINGS

### General power tool safety warnings

**⚠WARNING** Read all safety warnings, instructions, illustrations and specifications provided with this power tool. Failure to follow all instructions listed below may result in electric shock, fire and/or serious injury.

### Save all warnings and instructions for future reference.

The term "power tool" in the warnings refers to your mains-operated (corded) power tool or battery-operated (cordless) power tool.

### Cordless lawnmower safety warnings

1. Do not use the lawnmower in bad weather conditions, especially when there is a risk of lightning. This decreases the risk of being struck by lightning.
2. Thoroughly inspect the area for wildlife where the lawnmower is to be used. Wildlife may be injured by the lawnmower during operation.

3. **Thoroughly inspect the area where the lawnmower is to be used and remove all stones, sticks, wires, bones, and other foreign objects.** Thrown objects can cause personal injury.
4. **Before using the lawnmower, always visually inspect to see that the blade and the blade assembly are not worn or damaged.** Worn or damaged parts increase the risk of injury.
5. **Check the grass catcher frequently for wear or deterioration.** A worn or damaged grass catcher may increase the risk of personal injury.
6. **Keep guards in place. Guards must be in working order and be properly mounted.** A guard that is loose, damaged, or is not functioning correctly may result in personal injury.
7. **Keep all cooling air inlets clear of debris.** Blocked air inlets and debris may result in overheating or risk of fire.
8. **While operating the lawnmower, always wear non-slip and protective footwear. Do not operate the lawnmower when barefoot or wearing open sandals.** This reduces the chance of injury to the feet from contact with the moving blade.
9. **While operating the lawnmower, always wear long trousers.** Exposed skin increases the likelihood of injury from thrown objects.
10. **Do not operate the lawnmower in wet grass. Walk, never run.** This reduces the risk of slipping and falling which may result in personal injury.
11. **Do not operate the lawnmower on excessively steep slopes.** This reduces the risk of loss of control, slipping and falling which may result in personal injury.
12. **When working on slopes, always be sure of your footing, always work across the face of slopes, never up or down and exercise extreme caution when changing direction.** This reduces the risk of loss of control, slipping and falling which may result in personal injury.
13. **Use extreme caution when reversing or pulling the lawnmower towards you. Always be aware of your surroundings.** This reduces the risk of tripping during operation.
14. **Do not touch blades and other hazardous moving parts while they are still in motion.** This reduces the risk of injury from moving parts.
15. **When clearing jammed material or cleaning the lawnmower, make sure all power switches are off and the battery pack is disconnected.** Unexpected operation of the lawnmower may result in serious personal injury.

## Additional safety warnings

### Training

1. **Read the instructions carefully. Be familiar with the controls and the proper use of the mower.**
2. **Never allow children or people unfamiliar with these instructions to use the mower. Local regulations can restrict the age of the operator.**
3. **Never operate the mower while people, especially children, or pets are nearby.**
4. **Keep in mind that the operator or user is responsible for accidents or hazards occurring**

to other people or their property.

### Preparation

1. **Be sure the area is clear of other people before mowing. Stop mower if anyone enters the area.**
2. **Do not insert the lock key into mower until it is ready to be used.**
3. **Watch for holes, ruts, bumps, rocks, or other hidden objects.** Uneven terrain could cause a slip and fall accident. Tall grass can hide obstacles.
4. **Do not insert or remove the lock key in the rain.**

### Operation

1. **Stop the mower and remove the lock key, and make sure that all moving parts have come to a complete stop**
  - whenever you leave the mower;
  - before clearing blockages or unclogging chute;
  - before checking, cleaning or working on the mower.
2. **If the mower strikes a foreign object, follow these steps:**
  - Stop the mower, release the switch lever and wait until the blade comes to a complete stop.
  - Remove the lock key and the battery cartridge.
  - Thoroughly inspect the mower for any damage.
  - Replace the blade if it is damaged in any way. Repair any damage before restarting and continuing to operate the mower.
3. **If the mower starts to vibrate abnormally or you notice anything unusual, follow these steps immediately:**
  - Stop the mower, release the switch lever and wait until the blade comes to a complete stop.
  - Remove the lock key and the battery cartridge.
  - Inspect for damage and replace or repair any damaged parts.
  - Check for and tighten any loose parts.
4. **Never operate the mower with defective guards or shields, or without safety devices, for example deflectors and/or grass basket, in place.**
5. **Operate the mower only in daylight or in good artificial light.**
6. **Switch on the mower carefully according to instructions and with feet well away from the blade(s).**
7. **Take care against injury to feet and hands from the mower blades.**
8. **Stop the blade(s) if the mower has to be tilted for transportation when crossing surfaces other than grass, and when transporting the mower to and from the area to be used.**
9. **Do not tilt the mower when switching on the motor, except if the mower has to be tilted for starting. In this case, do not tilt it more than absolutely necessary and lift only the**

part, which is away from the operator. Always ensure that both hands are in the operating position before returning the mower to the ground.

10. Do not put hands or feet near or under rotating parts. Keep clear of the discharge opening at all times.
11. Always keep a firm hold on the handle.
12. Don't grasp the exposed cutting blades or cutting edges when picking up or holding the mower.
13. Keep hands and feet away from rotating blades. Caution - Blades coast after the mower is switched off.
14. Never attempt to make cutting height adjustments while mower is running if the mower has cutting height adjustment feature.
15. Release switch lever and wait for blade rotation to stop before crossing driveways, walks, roads, and any gravel-covered areas. Also remove the lock key if you leave the mower, reach to pick up or remove something out of your way, or for any other reason that may distract you from what you are doing.
16. Do not start the mower when standing in front of the discharge opening.
17. Never direct discharged material toward anyone. Avoid discharging material against a wall or obstruction. Material may ricochet back toward the operator. Stop the blade when crossing gravel surfaces.
18. Do not pull the mower backwards unless absolutely necessary. When you are compelled to back the mower from a fence or other similar obstruction, look down and behind before and while moving backwards.
19. Shut the motor off and wait until the blade comes to a complete stop before removing the grass catcher. Beware that the blades coast after turn off.
20. When you use the machine on muddy ground, wet slope, or slippery place, pay attention to your footing.
21. Avoid working in poor environment where increased user fatigue is expected.
22. Do not use the machine in bad weather where visibility is limited. Failure to do so may cause fall or incorrect operation due to low visibility.
23. Do not submerge the machine into a puddle.
24. When wet leaves or dirt adhere to the suction mouth (ventilation window) due to rain, remove them.
25. Do not use the machine in the snow.
26. If the cut-off grass is wet, it is likely to be clogged inside of the machine. Check the condition of the machine regularly, and remove the adhered grass as necessary.
27. When operating the machine, pay attention to piping and wiring.

#### Maintenance and storage

1. Inspect and maintain the mower regularly.
2. Keep all nuts, bolts, and screws tight to be sure the equipment is in safe working

condition.

3. Check the grass basket frequently for wear or deterioration. For storage, always make sure the grass basket is empty. Replace a worn grass basket with a new factory replacement for safety.
4. Use only the manufacturer genuine blades specified in this manual.
5. Be careful during adjustment of the mower to prevent entrapment of the fingers between moving blades and fixed parts of the mower.
6. Check the blade mounting bolt at frequent intervals for proper tightness.
7. Always allow the mower to cool down before storing.
8. When servicing the blades be aware that, even though the power source is switched off, the blades can still be moved.
9. Never remove or tamper with safety devices. Check their proper operation regularly. Never do anything to interfere with the intended function of a safety device or to reduce the protection provided by a safety device.
10. Do not leave the machine unattended outdoors in the rain.
11. Do not wash the machine with high pressure water.
12. When washing the machine, be sure to remove the battery and lock key and close the battery cover, and pour water toward the bottom of the machine to which the blade is attached.
13. When storing the machine, avoid direct sunlight and rain, and store it in a place where it does not get hot or humid.
14. Perform inspection or maintenance in a place where rain can be avoided.
15. After using the machine, remove the adhered dirt and dry the machine completely before storing. Depending on the season or the area, there is a risk of malfunction due to freezing.

#### Electrical and battery safety

1. Do not open or mutilate the battery(ies). Released electrolyte is corrosive and may cause damage to the eyes or skin. It may be toxic if swallowed.
2. Do not charge battery in rain, or in wet locations.
3. Do not charge the battery outdoors.
4. Do not handle charger, including charger plug, and charger terminals with wet hands.
5. Do not replace the battery in the rain.
6. Do not wet the terminal of battery with liquid such as water, or submerge the battery. Do not leave the battery in the rain, nor charge, use, or store the battery in a damp or wet place. If the terminal gets wet or liquid enters inside of battery, the battery may be short circuited and there is a risk of overheat, fire, or explosion.
7. After removing the battery from the machine or charger, be sure to attach the battery cover to the battery and store it in a dry place.
8. Do not replace the battery with wet hands.
9. Avoid dangerous environment. Don't use the

machine in dump or wet locations or expose it to rain. Water entering the machine will increase the risk of electric shock.

10. If the battery cartridge gets wet, drain the water inside and then wipe it with a dry cloth. Dry the battery cartridge completely in a dry place before use.

## SAVE THESE INSTRUCTIONS.

**⚠ WARNING:** DO NOT let comfort or familiarity with product (gained from repeated use) replace strict adherence to safety rules for the subject product. MISUSE or failure to follow the safety rules stated in this instruction manual may cause serious personal injury.

### Important safety instructions for battery cartridge

1. Before using battery cartridge, read all instructions and cautionary markings on (1) battery charger, (2) battery, and (3) product using battery.
2. Do not disassemble or tamper with the battery cartridge. It may result in a fire, excessive heat, or explosion.
3. If operating time has become excessively shorter, stop operating immediately. It may result in a risk of overheating, possible burns and even an explosion.
4. If electrolyte gets into your eyes, rinse them out with clear water and seek medical attention right away. It may result in loss of your eyesight.
5. Do not short the battery cartridge:
  - (1) Do not touch the terminals with any conductive material.
  - (2) Avoid storing battery cartridge in a container with other metal objects such as nails, coins, etc.
  - (3) Do not expose battery cartridge to water or rain.

A battery short can cause a large current flow, overheating, possible burns and even a breakdown.

6. Do not store and use the tool and battery cartridge in locations where the temperature may reach or exceed 50 °C (122 °F).
7. Do not incinerate the battery cartridge even if it is severely damaged or is completely worn out. The battery cartridge can explode in a fire.
8. Do not nail, cut, crush, throw, drop the battery cartridge, or hit against a hard object to the battery cartridge. Such conduct may result in a fire, excessive heat, or explosion.
9. Do not use a damaged battery.
10. The contained lithium-ion batteries are subject to the Dangerous Goods Legislation requirements.

For commercial transports e.g. by third parties, forwarding agents, special requirement on packaging and labeling must be observed. For preparation of the item being shipped, consulting an expert for hazardous material is required.

Please also observe possibly more detailed national regulations.

Tape or mask off open contacts and pack up the battery in such a manner that it cannot move around in the packaging.

11. When disposing the battery cartridge, remove it from the tool and dispose of it in a safe place. Follow your local regulations relating to disposal of battery.
12. Use the batteries only with the products specified by Makita. Installing the batteries to non-compliant products may result in a fire, excessive heat, explosion, or leak of electrolyte.
13. If the tool is not used for a long period of time, the battery must be removed from the tool.
14. During and after use, the battery cartridge may take on heat which can cause burns or low temperature burns. Pay attention to the handling of hot battery cartridges.
15. Do not touch the terminal of the tool immediately after use as it may get hot enough to cause burns.
16. Do not allow chips, dust, or soil stuck into the terminals, holes, and grooves of the battery cartridge. It may cause heating, catching fire, burst and malfunction of the tool or battery cartridge, resulting in burns or personal injury.
17. Unless the tool supports the use near high-voltage electrical power lines, do not use the battery cartridge near high-voltage electrical power lines. It may result in a malfunction or breakdown of the tool or battery cartridge.
18. Keep the battery away from children.

## SAVE THESE INSTRUCTIONS.

**⚠ CAUTION:** Only use genuine Makita batteries. Use of non-genuine Makita batteries, or batteries that have been altered, may result in the battery bursting causing fires, personal injury and damage. It will also void the Makita warranty for the Makita tool and charger.

**NOTICE:** Makita is not responsible for any accidents resulting from the use of non-genuine Makita batteries or batteries that have been modified. Genuine Makita batteries have been rigorously evaluated for compatibility with Makita tools and chargers, in line with applicable legislation and safety standards.

## Tips for maintaining maximum battery life

1. Charge the battery cartridge before completely discharged. Always stop tool operation and charge the battery cartridge when you notice less tool power.
2. Never recharge a fully charged battery cartridge. Overcharging shortens the battery service life.
3. Charge the battery cartridge with room temperature at 10 °C - 40 °C (50 °F - 104 °F). Let a hot battery cartridge cool down before charging it.
4. When not using the battery cartridge, remove it from the tool or the charger.



5. Charge the battery cartridge if you do not use it for a long period (more than six months).

## ASSEMBLY

**⚠ WARNING:** Always be sure that the lock key and battery cartridge are removed before carrying out any work on the mower. Failure to remove the lock key and the battery cartridge may result in serious personal injury from accidental start-up.

**⚠ WARNING:** Never start the mower unless it is completely assembled. Operation of the machine in a partially assembled state may result in serious personal injury from accidental start-up.

### Installing the battery cover

**⚠ WARNING:** Do not insert the lock key and battery cartridge before installing the battery cover. Failure to do so may cause a serious injury.

Install the battery cover completely before the operation. The battery cover protects the mower and battery cartridge from mud, dirt, and water.

1. Place the battery cover with the protrusions on the mower aligned with the holes on the battery cover.  
▶ **Fig.1:** 1. Protrusion 2. Hole 3. Battery cover
2. Place your hands in the middle of the battery cover and push it.  
▶ **Fig.2**
3. Before the first operation, check that the pivot point of the battery cover is attached properly. If the battery cover is installed correctly, it will not open until the battery cover locking lever is pulled.  
▶ **Fig.3:** 1. Pivot point 2. Battery cover locking lever

### Installing the handle

**NOTICE:** When installing handles, position the cords so that they are not caught by anything between the handles. If the cord is damaged, the mower switch may not work.

1. Slide the both ends of lower handle into the grooves of the mower then fully tighten the clamping screws.  
▶ **Fig.4:** 1. Clamping screw 2. Lower handle
2. Align the screw holes of upper handle and lower handle. Secure them with the clamping screws and nuts.  
▶ **Fig.5:** 1. Clamping nut 2. Clamping screw

**NOTE:** Hold the upper handle firmly so that it does not drop off your hand.

3. Attach the holders to the handle. Position the power supply cord as shown in the figure.  
▶ **Fig.6:** 1. Holder

## Removing the mulching plug

### Optional accessory

1. Open the rear cover.  
▶ **Fig.7:** 1. Rear cover
2. Hold the mulching plug by the handle, and then pull it out from the mower body as shown in the figure.  
▶ **Fig.8:** 1. Mulching plug 2. Handle

## Assembling the grass basket

To assemble the grass basket, perform the following steps.

1. Insert the frame into the holes on the grass basket at a slight angle with holding up the clip as shown in the figure.  
▶ **Fig.9:** 1. Clip 2. Frame 3. Hole
2. Open all the clips and securely attach them to the frame.  
▶ **Fig.10:** 1. Clips
3. Tighten the two bolts with the hex wrench included in the machine package to secure them.  
▶ **Fig.11:** 1. Bolts 2. Hex wrench

## Installing the grass basket

1. Open the rear cover.  
▶ **Fig.12:** 1. Rear cover
2. Hook the grass basket on the rod of the mower body as shown in the figure.  
▶ **Fig.13:** 1. Hook 2. Rod 3. Grass basket

## Attaching the mulching plug

### Optional accessory

1. Open the rear cover, and then remove the grass basket.  
▶ **Fig.14:** 1. Rear cover 2. Grass basket
2. Hold the mulching plug by the handle, and then attach it to the mower body as shown in the figure.  
▶ **Fig.15:** 1. Mulching plug 2. Handle



# FUNCTIONAL DESCRIPTION

## Installing or removing battery cartridge

**⚠ CAUTION:** Always switch off the machine before installing or removing of the battery cartridge.

**⚠ CAUTION:** Make sure that you lock the battery cover before use. Otherwise, mud, dirt, or water may cause damage to the product or the battery cartridge.

**⚠ CAUTION:** Always install the battery cartridge fully until the red indicator cannot be seen. If not, it may accidentally fall out of the machine, causing injury to you or someone around you.

**⚠ CAUTION:** Do not install the battery cartridge forcibly. If the cartridge does not slide in easily, it is not being inserted correctly.

**NOTE:** The machine does not work with only one battery cartridge.

### To install the battery cartridge;

1. Slide the battery cover locking lever and open the battery cover.

▶ **Fig.16:** 1. Battery cover 2. Battery cover locking lever

2. Align the tongue on the battery cartridge with the slot on the mower then slide the cartridge until it locks in place with a little click.

▶ **Fig.17:** 1. Battery cartridge

3. Insert the lock key in the place shown in the figure as far as it will go.

▶ **Fig.18:** 1. Lock key

4. Close the battery cover and push it until it is latched with the locking lever.

### To remove the battery cartridge from the mower;

1. Slide the battery cover locking lever and open the battery cover.

2. Pull out the battery cartridge from the mower while sliding the button on the front of the cartridge.

3. Pull out the lock key.

4. Close the battery cover.

## Machine / battery protection system

The machine is equipped with a machine/battery protection system. This system automatically cuts off power to the motor to extend tool and battery life. The machine will automatically stop during operation if the machine or battery is placed under one of the following conditions.

### Overload protection

When the machine is operated in a manner that causes it to draw an abnormally high current, the machine automatically stops without any indication. In this

situation, turn the machine off and stop the application that caused the machine to become overloaded. Then turn the machine on to restart.

### Overheat protection

When the machine is overheated, the machine stops automatically. Let the machine cool down before turning the machine on again.

### Overdischarge protection

When the battery capacity becomes low, the machine stops automatically. If the product does not operate even when the switches are operated, remove the batteries from the machine and charge the batteries.

## Indicating the remaining battery capacity

▶ **Fig.19:** 1. Battery indicator

When the remaining battery capacity gets low, the battery indicator blinks on the applicable battery side. By further use, the machine stops and the battery indicator lights up. In this situation, charge the battery cartridge.

## Indicating the remaining battery capacity

### Only for battery cartridges with the indicator

Press the check button on the battery cartridge to indicate the remaining battery capacity. The indicator lamps light up for a few seconds.

▶ **Fig.20:** 1. Indicator lamps 2. Check button

| Indicator lamps |     |          | Remaining capacity                  |
|-----------------|-----|----------|-------------------------------------|
| Lighted         | Off | Blinking |                                     |
| ■ ■ ■ ■         |     |          | 75% to 100%                         |
| ■ ■ ■ □         |     |          | 50% to 75%                          |
| ■ ■ □ □         |     |          | 25% to 50%                          |
| ■ □ □ □         |     |          | 0% to 25%                           |
| ▣ □ □ □         |     |          | Charge the battery.                 |
| ■ ■ □ □         |     |          | The battery may have malfunctioned. |
| □ □ ■ ■         |     |          |                                     |

**NOTE:** Depending on the conditions of use and the ambient temperature, the indication may differ slightly from the actual capacity.

**NOTE:** The first (far left) indicator lamp will blink when the battery protection system works.

## Switch action

**⚠ WARNING:** Before installing the battery cartridge, always check to see that the switch lever actuates properly and returns to the original position when released. Operating a machine with a switch that does not actuate properly can lead to loss of control and serious personal injury.

**NOTE:** The mower does not start without pressing the switch button even the switch lever is pulled.

**NOTE:** Mower may not start due to the overload when you try to mow long or dense grass at a time. Increase the mowing height in this case.

This mower is equipped with the interlock switch and handle switch. If you notice anything unusual with either of these switches, stop operation immediately and have them checked by your nearest Makita Authorized Service Center.

1. Install the battery cartridges. Insert the lock key into the interlock switch and then close the battery cover.

▶ **Fig.21:** 1. Battery cartridge 2. Lock key

2. Press the switch button and hold it.

3. Grab the upper handle and pull the switch lever.

▶ **Fig.22:** 1. Switch button 2. Switch lever

4. Release the switch button as soon as the motor starts running. The mower will continue to run until you release the switch lever.

5. Release the switch lever to stop the motor.

## Adjusting the mowing height

**⚠ WARNING:** Never put your hand or leg under the mower body when adjusting the mowing height.

**⚠ WARNING:** Always make sure that the lever fits in the groove properly before operation.

The mowing height can be adjusted in the range of between 20 mm and 75 mm.

1. Remove the lock key.

2. Pull the mowing height adjusting lever to the outward of the mower body and move it to your desired mowing height.

▶ **Fig.23:** 1. Mowing height adjusting lever

**NOTE:** The mowing height figures should be used just as a guideline. Depending on the conditions of the lawn or the ground, the actual lawn height may become slightly different from the set height.

**NOTE:** Try a test mowing of grass in a less conspicuous place to get your desired height.

## Grass level indicator

▶ **Fig.24:** 1. Grass level indicator

Grass level indicator shows the volume of mowed grass.

• When the grass basket is not full, the indicator

floats during mowing.

- When the grass basket is full, the indicator does not float during mowing. In this case, stop mowing immediately and empty the basket. After emptying the basket, clean it so that its meshwork vents the air.

**NOTE:** This indicator is a rough guide. Depending on the conditions of inside of the basket, this indicator may not work properly.

## Using mulching plug

### Optional accessory

The mulching plug allows you to return the cut grass to the ground without gathering the cut grass in the grass basket. When you operate the machine with the mulching plug, be sure to remove the grass basket.

**NOTICE:** When using the machine with the mulching plug, make sure that the total length of grass after cutting is 30 mm or more, and the cut length is 15 mm or less.

▶ **Fig.25:** (1) 30 mm or more (2) 15 mm or less

## OPERATION

### Mowing

**⚠ WARNING:** Before mowing, clear away sticks and stones from mowing area. Furthermore, clear away any weeds from mowing area in advance.

**⚠ WARNING:** Always wear the safety goggles or safety glasses with side shields when operating the mower.

**⚠ CAUTION:** If the cut grass or foreign object blocks up inside of the mower body, be sure to remove the lock key and battery cartridge and wear gloves before removing the grass or foreign object.

**NOTICE:** Use this machine for mowing lawn only. Do not mow weeds with this machine.

▶ **Fig.26**

Firmly hold the handle with both hands when mowing.

The mowing speed guideline is approximately 1 meter per 4 seconds.

▶ **Fig.27**

The outside edges of the front wheels are guidelines to mowing width. Using the outside edges of the front wheels as guidelines, mow in strips. Overlap by one half to one third the previous strip to mow the lawn evenly.

▶ **Fig.28:** 1. Mowing width 2. Overlapping area 3. Outside edge

Change the mowing direction each time to prevent the grass grain pattern from forming in just one direction.

▶ **Fig.29**

Periodically check the grass basket for mowed grass.

Empty the grass before it becomes full. Before every periodical check, be sure to stop the mower then remove the lock key and the battery cartridge.

**NOTICE:** Using the mower with the grass basket full prevents smooth blade rotation and places an extra load on the motor, which may cause breakdown.

## Mowing a long-grass lawn

Do not try to cut long grass all in one go. Instead, mow the lawn in some steps. Leave a day or two between mows until the lawn becomes evenly short.

**NOTE:** Mowing long grass to a short length all in one go may cause the grass to die. The cut grass may also block up inside of the mower body.

## Emptying the grass basket

**⚠ WARNING:** To reduce a risk of accident, regularly check the grass basket for any damage or weakened strength. Replace the grass basket if necessary.

1. Release the switch lever.
2. Remove the lock key.
3. Open the rear cover and take out the grass basket by holding the handle.  
▶ **Fig.30:** 1. Rear cover 2. Handle
4. Empty the grass basket.

## MAINTENANCE

**⚠ WARNING:** Always be sure that the lock key and battery cartridge are removed from the mower before storing or carrying the mower or attempting to perform inspection or maintenance.

**⚠ WARNING:** Always remove the lock key when the mower is not in use. Store the lock key in a safe place out of reach of children.

**⚠ WARNING:** Wear gloves when performing inspection or maintenance.

**⚠ WARNING:** Always wear the safety goggles or safety glasses with side shields when performing inspection or maintenance.

**NOTICE:** Never use gasoline, benzine, thinner, alcohol or the like. Discoloration, deformation or cracks may result.

To maintain product SAFETY and RELIABILITY, repairs, any other maintenance or adjustment should be performed by Makita Authorized or Factory Service Centers, always using Makita replacement parts.

## Maintenance

1. Remove the lock key. Store it in a safe place out of the reach of children.
2. Clean the mower using only a wet cloth. Do not

spray or pour water on the mower when cleaning.

3. Put the mower on its side and clean grass clippings accumulated on the underside of mower deck.
4. Check all nuts, bolts, knobs, screws, fasteners etc. for tightness.
5. Inspect moving parts for damage, breakage, and wear. Damaged or missing parts should be repaired or replaced.

## Storage

**⚠ WARNING:** When carrying or storing the mower, do not hold the folded handles but the front grip of the mower. Holding the folded handles may cause a serious injury or damage to the mower.

Before storing the mower, remove the battery cartridge and lock key.

Store mower indoors in a cool, dry and locked place. Don't store the mower and charger in locations where the temperature may reach or exceed 40 °C.

▶ **Fig.31:** 1. Front grip 2. Rear grip

1. Loosen the clamping screws and expand the lower handle to both sides. Move down the handle forward. At this time, keep a firm grip on the lower handle so that the handle does not fall down to the far side from the mower body.

▶ **Fig.32:** 1. Clamping screw 2. Lower handle

2. Loosen the clamping nuts and pivot the upper handle back while expanding the both sides.

▶ **Fig.33:** 1. Clamping nut 2. Upper handle

3. Store the grass basket between the handle and the mower body.

▶ **Fig.34:** 1. Grass basket

**NOTE:** When putting the mower in the upright position, do not hold the handle but use the front grip of the mower.

## Removing or installing the mower blade

**⚠ WARNING:** Always remove the lock key and battery cartridge when removing or installing the blade. Failure to remove the lock key and battery cartridge may cause a serious injury.

**⚠ WARNING:** The blade coasts for a few seconds after releasing the switch. Do not start any operation until the blade comes to a complete stop.

**⚠ WARNING:** Always wear gloves when handling the blade.

## Removing the mower blade

### For DLM382

1. Put the mower on its side so that the mowing height adjusting lever comes to the upper side.
2. To lock the blade rotation, insert a screwdriver or a similar tool into a hole on the mower body.

3. Turn the bolt counterclockwise with the wrench.

► **Fig.35:** 1. Mower blade 2. Screwdriver 3. Wrench

4. Remove the bolt and blade in order.

► **Fig.36:** 1. Blade support 2. Mower blade 3. Bolt

### For DLM432

1. Put the mower on its side so that the mowing height adjusting lever comes to the upper side.

2. To lock the blade rotation, insert a screwdriver or a similar tool into a hole on the mower body.

3. Turn the bolt counterclockwise with the wrench.

► **Fig.37:** 1. Mower blade 2. Screwdriver 3. Wrench

4. Remove the bolt, outer flange, mower blade, and inner flange in order.

► **Fig.38:** 1. Inner flange 2. Mower blade 3. Outer flange 4. Bolt

## Installing the mower blade

To install the mower blade, take the removal procedure in reverse.

**⚠WARNING:** Install the mower blade carefully. It has a top/bottom facing. Place the blade so that the rotational direction arrow faces outward.

**⚠WARNING:** Tighten the bolt clockwise firmly to secure the blade.

**⚠WARNING:** Make sure that the mower blade and all the fixing parts are installed correctly and tightened securely.

**⚠WARNING:** When you replace the blades, always follow the instructions provided in this manual.

## TROUBLESHOOTING

Before asking for repairs, conduct your own inspection first. If you find a problem that is not explained in the manual, do not attempt to dismantle the tool. Instead, ask Makita Authorized Service Centers, always using Makita replacement parts for repairs.

| State of abnormality  | Probable cause (malfunction)                              | Remedy   |
|---|---|--|
| Mower does not start.   | Two battery cartridges are not installed.                 | Install the charged battery cartridges.  |
|   | Battery problem (under voltage)                           | Recharge the battery cartridge. If recharging is not effective, replace battery cartridge. |
|   | The lock key is not inserted.                             | Insert the lock key.   |
| Motor stops running after a little use.                       | Battery's charge level is low.                            | Recharge the battery cartridge. If recharging is not effective, replace battery cartridge. |
|   | Cutting height is too low.                                | Increase the cutting height.   |
| Motor does not reach maximum RPM.                             | Battery cartridge is installed improperly.                | Install the battery cartridge as described in this manual.                                 |
|   | Battery power is dropping.                                | Recharge the battery cartridge. If recharging is not effective, replace battery cartridge. |
|   | The drive system does not work correctly.                 | Ask your local authorized service center for repair.                                       |
| Mower blade does not rotate:<br>⇒ stop the mower immediately! | Foreign object such as a branch is jammed near the blade. | Remove the foreign object.   |
|   | The drive system does not work correctly.                 | Ask your local authorized service center for repair.                                       |
| Abnormal vibration:<br>⇒ stop the mower immediately!          | Blade is imbalanced, excessively or unevenly worn.        | Replace the blade.   |

## OPTIONAL ACCESSORIES

**⚠CAUTION:** These accessories or attachments are recommended for use with your Makita tool specified in this manual. The use of any other accessories or attachments might present a risk of injury to persons. Only use accessory or attachment for its stated purpose.

Center.

- Mower blade
- Mulching plug
- Makita genuine battery and charger

**NOTE:** Some items in the list may be included in the tool package as standard accessories. They may differ from country to country.

If you need any assistance for more details regarding these accessories, ask your local Makita Service

## SPÉCIFICATIONS

| Modèle :   |  | DLM382   | DLM432   |
|--|--|--|--|
| Largeur de tonte (diamètre de la lame)                     |  | 380 mm   | 430 mm   |
| Vitesse à vide   |  | 3 700 min <sup>-1</sup>  | 3 600 min <sup>-1</sup>  |
| Numéro de référence de la lame de tondeuse de remplacement |  | 191D41-2   | 191D43-8   |
| Dimensions (L x l x H)                                     | pendant l'utilisation                      | L : 1 380 mm à 1 410 mm<br>l : 450 mm<br>H : 985 mm à 1 005 mm | L : 1 435 mm à 1 490 mm<br>l : 460 mm<br>H : 1 005 mm à 1 045 mm |
|  | pendant le rangement (sans le bac à herbe) | 860 mm x 450 mm x 475 mm                                       | 865 mm x 460 mm x 475 mm   |
| Tension nominale   |  | 36 VCC   |  |
| Poids net  |  | 15,5 - 16,5 kg   | 16,0 - 16,9 kg   |

- Étant donné l'évolution constante de notre programme de recherche et de développement, les spécifications contenues dans ce manuel sont sujettes à modification sans préavis.
- Les spécifications peuvent varier suivant les pays.
- Le poids net inclut le poids combiné le plus léger et le plus lourd du ou des accessoires et de la ou des batteries spécifiés dans le mode d'emploi.

## Batterie et chargeur applicables

|          |   |
|----------|---|
| Batterie | BL1830B / BL1840B / BL1850B / BL1860B                                 |
| Chargeur | DC18RC / DC18RD / DC18RE / DC18SD / DC18SE / DC18SF / DC18SH / DC18WC |


- Certains chargeurs et batteries répertoriés ci-dessus peuvent ne pas être disponibles selon la région où vous résidez.

**⚠ AVERTISSEMENT : N'utilisez que les batteries et les chargeurs répertoriés ci-dessus.** L'utilisation d'autres batteries et chargeurs peut provoquer des blessures et/ou un incendie.


**⚠ AVERTISSEMENT : N'utilisez pas de source d'alimentation câblée comme un adaptateur de batterie ou un support d'alimentation portable avec cette machine.** Le câble de ce type de source d'alimentation pourrait gêner le fonctionnement et provoquer des blessures corporelles.


## Symboles


Vous trouverez ci-dessous les symboles susceptibles d'être utilisés pour l'appareil. Veuillez à comprendre leur signification avant toute utilisation.


 Veuillez être prudent et rester attentif.

 Lire le mode d'emploi.


 Danger ; prendre garde aux projections d'objets.


 La distance entre l'outil et les personnes présentes doit être d'au moins 15 m.

 Ne mettez jamais les mains ou les pieds près de la lame de tondeuse sous la tondeuse. Les lames de tondeuse continuent de tourner une fois le moteur coupé.

 Retirez la clé de sécurité avant d'inspecter, de régler, de nettoyer, de réparer, de laisser sans surveillance ou de ranger la tondeuse.

 Avertissement ; Déconnectez la batterie avant l'entretien.

 Niveau de puissance sonore garanti selon la directive européenne sur le bruit dans l'environnement.

 Niveau de puissance sonore selon la réglementation australienne NSW sur le contrôle du bruit



Pour les pays de l'Union européenne uniquement

En raison de la présence de composants dangereux dans l'équipement, les déchets d'équipements électriques et électroniques, les accumulateurs et les batteries peuvent avoir un impact négatif sur l'environnement et la santé humaine.

Ne jetez pas les appareils électriques et électroniques ou les batteries avec les ordures ménagères !

Conformément à la directive européenne relative aux déchets d'équipements électriques et électroniques et aux déchets d'accumulateurs et de batteries, ainsi qu'à son adaptation à la législation nationale, les déchets d'équipements électriques, les batteries et les accumulateurs doivent être collectés séparément et déposés dans un point de collecte distinct pour déchets urbains, conformément aux réglementations en matière de protection de l'environnement.

Cela est indiqué par le symbole de la poubelle à roulettes barrée sur l'équipement.

## Utilisations

La machine est conçue pour tondre la pelouse.

## Bruit

Niveau de bruit pondéré A typique, déterminé selon EN IEC 62841-4-3 :

| Modèle | Niveau de puissance sonore mesuré ( $L_{WA}$ ) : (dB(A)) | Niveau de puissance sonore garanti ( $L_{WA}$ ) : (dB(A)) |
|--------|--|---|
| DLM382 | 91   | 94  |
| DLM432 | 92   | 95  |

| Modèle | Niveau de pression sonore ( $L_{pA}$ ) : (dB (A)) | Incertitude pour niveau de pression sonore (K) : (dB(A)) |
|--------|---|--|
| DLM382 | 81  | 3  |
| DLM432 | 81  | 3  |

**NOTE** : La ou les valeurs d'émission de bruit déclarées ont été mesurées conformément à la méthode de test standard et peuvent être utilisées pour comparer les outils entre eux.

**NOTE** : La ou les valeurs d'émission de bruit déclarées peuvent aussi être utilisées pour l'évaluation préliminaire de l'exposition.

**⚠️ AVERTISSEMENT** : Portez un serre-tête antibruit.

**⚠️ AVERTISSEMENT** : L'émission de bruit lors de l'usage réel de l'outil électrique peut être différente de la ou des valeurs totales déclarées, suivant la façon dont l'outil est utilisé.

**⚠️ AVERTISSEMENT** : Les mesures de sécurité à prendre pour protéger l'utilisateur doivent être basées sur une estimation de l'exposition dans des conditions réelles d'utilisation (en tenant compte de toutes les composantes du cycle d'utilisation, comme par exemple le moment de sa mise hors tension, lorsqu'il tourne à vide et le moment de son déclenchement).

## Vibrations

La valeur totale de vibrations continues (somme de vecteur triaxial) déterminée selon EN IEC 62841-4-3 :

### Modèle DLM382

Émission de vibrations ( $a_h$ ) : 2,5 m/s<sup>2</sup> ou moins  
Incertitude (K) : 2,0 m/s<sup>2</sup>

### Modèle DLM432

Émission de vibrations ( $a_h$ ) : 2,5 m/s<sup>2</sup> ou moins  
Incertitude (K) : 1,5 m/s<sup>2</sup>

**NOTE** : La ou les valeurs de vibration totales déclarées ont été mesurées conformément à la méthode de test standard et peuvent être utilisées pour comparer les outils entre eux.

**NOTE** : La ou les valeurs totales de vibration déclarées peuvent aussi être utilisées pour l'évaluation préliminaire de l'exposition.

**⚠️ AVERTISSEMENT** : L'émission de vibrations lors de l'usage réel de l'outil électrique peut être différente de la ou des valeurs totales déclarées, suivant la façon dont l'outil est utilisé.

**⚠️ AVERTISSEMENT** : Les mesures de sécurité à prendre pour protéger l'utilisateur doivent être basées sur une estimation de l'exposition dans des conditions réelles d'utilisation (en tenant compte de toutes les composantes du cycle d'utilisation, comme par exemple le moment de sa mise hors tension, lorsqu'il tourne à vide et le moment de son déclenchement).

## Déclarations de conformité

*Pour les pays européens uniquement*

Les déclarations de conformité sont fournies en Annexe A à ce mode d'emploi.

# CONSIGNES DE SÉCURITÉ

## Consignes de sécurité générales pour outils électriques

**AVERTISSEMENT** Veuillez lire toutes les consignes de sécurité, instructions, illustrations et spécifications qui accompagnent cet outil électrique. Le non-respect de toutes les instructions indiquées ci-dessous peut entraîner une électrocution, un incendie et/ou de graves blessures.

## Conservez toutes les mises en garde et instructions pour référence ultérieure.

Le terme « outil électrique » dans les avertissements fait référence à l'outil électrique alimenté par le secteur (avec cordon d'alimentation) ou à l'outil électrique fonctionnant sur batterie (sans cordon d'alimentation).

## Consignes de sécurité pour tondeuse sans fil

1. **N'utilisez pas la tondeuse par mauvais temps, particulièrement en cas d'orage.** Vous éviterez ainsi d'être frappé par la foudre.
2. **Vérifiez soigneusement l'absence d'animaux sauvages dans la zone où la tondeuse doit être utilisée.** Les animaux sauvages peuvent être blessés par la tondeuse pendant son fonctionnement.
3. **Inspectez soigneusement la zone où la tondeuse doit être utilisée et retirez toutes les pierres, brindilles, fils, os et autres corps étrangers.** Les projections d'objets comportent un risque de blessure.
4. **Avant d'utiliser la tondeuse, vérifiez toujours visuellement que la lame et l'ensemble de lame ne sont pas usés ou endommagés.** Les pièces usées ou endommagées augmentent le risque de blessures.
5. **Inspectez régulièrement le collecteur d'herbe pour vérifier l'absence d'usure ou de détérioration.** Un collecteur d'herbe usé ou endommagé peut augmenter le risque de blessures.
6. **Conservez les protecteurs en place.** Les protecteurs doivent être en état de fonctionnement et correctement montés. Un protecteur lâche, détérioré ou fonctionnant mal peut entraîner des blessures corporelles.
7. **Assurez-vous que toutes les entrées de l'air de refroidissement ne sont pas obstruées par des débris.** Les entrées d'air obstruées et les débris peuvent entraîner une surchauffe ou un risque d'incendie.
8. **Pendant l'utilisation de la tondeuse, portez toujours des chaussures antidérapantes et de protection. N'utilisez pas la tondeuse pieds nus ou avec des sandales qui laissent les pieds partiellement découverts.** Cela réduit les

risques de blessures aux pieds en cas de contact avec la lame en mouvement.

9. **Pendant l'utilisation de la tondeuse, portez toujours un pantalon long.** La peau exposée augmente les risques de blessures provoquées par les projections d'objets.
10. **N'utilisez pas la tondeuse sur de l'herbe mouillée. Ne courez jamais ; marchez.** Cela permet de réduire le risque de dérapage et de chute, susceptibles de provoquer une blessure.
11. **N'utilisez pas la tondeuse sur des pentes trop raides.** Cela permet de réduire le risque de perte de contrôle, de dérapage et de chute, susceptibles de provoquer une blessure.
12. **En cas de travail en pente, ayez toujours une bonne prise au sol, travaillez perpendiculairement au sens de la pente, jamais vers le haut ou vers le bas, et soyez extrêmement attentif en cas de changement de direction.** Cela permet de réduire le risque de perte de contrôle, de dérapage et de chute, susceptibles de provoquer une blessure.
13. **Soyez très prudent lorsque vous faites reculer la tondeuse ou la tirez vers vous. Soyez toujours conscient de votre environnement.** Vous éviterez ainsi de trébucher pendant le fonctionnement.
14. **Ne touchez pas les lames et autres pièces en mouvement dangereuses lorsqu'elles sont encore en mouvement.** Cela réduit le risque de blessures provoquées par les pièces en mouvement.
15. **Lorsque vous dégagez un matériau bloqué ou nettoyez la tondeuse, assurez-vous que tous les interrupteurs d'alimentation sont en position d'arrêt et que la batterie est débranchée.** Le fonctionnement brusque de la tondeuse peut entraîner de graves blessures.

## Consignes de sécurité supplémentaires

### Formation

1. **Lisez attentivement les instructions. Familiarisez-vous avec les commandes et la bonne utilisation de la tondeuse.**
2. **Ne laissez jamais les enfants ou les personnes qui ne sont pas familiarisées avec ces instructions utiliser la tondeuse. Les réglementations locales peuvent spécifier un âge minimum pour l'utilisation.**
3. **N'utilisez jamais la tondeuse alors que des personnes — et tout particulièrement des enfants — ou des animaux domestiques se trouvent à proximité.**
4. **Gardez à l'esprit que l'opérateur ou l'utilisateur est responsable des accidents ou risques encourus par les personnes ou leur propriété.**

### Préparatifs

1. **Assurez-vous qu'il n'y a personne à proximité avant de commencer à tondre. Arrêtez la tondeuse si quelqu'un s'approche.**
2. **N'insérez la clé de sécurité dans la tondeuse qu'une fois celle-ci prête pour l'utilisation.**



3. **Prenez garde aux trous, ornières, bosses, pierres ou autres objets cachés.** Un terrain irrégulier est propice aux glissades et aux chutes. L'herbe haute peut masquer les obstacles.
4. **N'insérez ni ne retirez la clé de sécurité sous la pluie.**

#### Fonctionnement

1. **Arrêtez la tondeuse, retirez la clé de sécurité et assurez-vous que toutes les pièces mobiles sont parfaitement arrêtées**
  - chaque fois que vous laissez la tondeuse sans surveillance,
  - avant de retirer un objet bloqué ou de déboucher la goulotte,
  - avant d'effectuer la vérification, le nettoyage ou l'entretien de la tondeuse.
2. **Si la tondeuse heurte un corps étranger, procédez comme suit :**
  - Arrêtez la tondeuse, libérez le levier d'interrupteur et attendez que la lame ait complètement cessé de tourner.
  - Retirez la clé de sécurité et la batterie.
  - Inspectez minutieusement la tondeuse pour vous assurer qu'elle n'a subi aucun dommage.
  - Si la lame est abîmée, remplacez-la. Réparez tout dégât avant de redémarrer et de continuer à utiliser la tondeuse.
3. **Si la tondeuse se met à vibrer de façon anormale ou si vous remarquez une anomalie, procédez immédiatement comme indiqué ci-dessous :**
  - Arrêtez la tondeuse, libérez le levier d'interrupteur et attendez que la lame ait complètement cessé de tourner.
  - Retirez la clé de sécurité et la batterie.
  - Inspectez les dommages et remplacez ou réparez toutes pièces endommagées.
  - Vérifiez et resserrez toutes pièces mal serrées.
4. **N'utilisez jamais la tondeuse si ses carters ou écrans de protection ne fonctionnent pas, ou si ses dispositifs de sécurité (tels que les déflecteurs et/ou le bac à herbe) ne sont pas posés.**
5. **N'utilisez la tondeuse qu'à la lumière du jour ou sous un bon éclairage artificiel.**
6. **Démarez la tondeuse prudemment, en suivant les instructions et en gardant les pieds bien à l'écart de la ou des lames.**
7. **Prenez garde de ne pas vous blesser les pieds et les mains avec les lames de la tondeuse.**
8. **Immobilisez la ou les lames si vous devez incliner la tondeuse pour la transporter en traversant une surface autre que du gazon, et lorsque vous transportez la tondeuse vers ou hors de la zone d'utilisation.**
9. **N'inclinez pas la tondeuse en allumant le moteur, sauf si la tondeuse doit être inclinée pour le démarrage. Le cas échéant, ne l'inclinez pas plus que nécessaire et ne soulevez que la partie opposée à vous. Avant de ramener la tondeuse au sol, veillez à ce que**

vos deux mains soient toujours en position d'utilisation.

10. **Ne mettez pas les mains ou les pieds près des pièces en rotation, ou sous celles-ci. Restez en tout temps à l'écart de l'ouverture de décharge.**
11. **Tenez toujours la poignée fermement.**
12. **Ne saisissez pas les lames de coupe exposées ou les bords tranchants pour soulever ou tenir la tondeuse.**
13. **Gardez mains et pieds à l'écart des lames en rotation. Attention - Les lames continuent de tourner une fois la tondeuse éteinte.**
14. **N'essayez jamais de régler la hauteur de coupe pendant que la tondeuse tourne si celle-ci est pourvue d'une fonction de réglage de la hauteur de coupe.**
15. **Libérez le levier d'interrupteur et attendez que la lame ait cessé de tourner avant de traverser une allée, un trottoir, une route ou une zone recouverte de gravier. Pensez également à retirer la clé de sécurité si vous laissez la tondeuse sans surveillance, si vous vous penchez pour ramasser ou enlever un objet qui fait obstacle, ou pour toute autre raison pouvant vous distraire de votre travail.**
16. **Ne vous tenez pas devant l'ouverture de décharge pour démarrer la tondeuse.**
17. **Ne dirigez jamais le matériau déversé en direction d'une personne. Évitez de déverser le matériau contre un mur ou une obstruction. Le matériau peut ricocher en arrière en direction de l'utilisateur. Arrêtez la lame lorsque vous traversez des surfaces couvertes de gravier.**
18. **Ne tirez pas la tondeuse en arrière sauf en cas de nécessité absolue.** Lorsque vous êtes obligé de retirer la tondeuse d'une clôture ou d'autres obstacles semblables, regardez vers le bas et l'arrière avant et pendant que vous reculez.
19. **Coupez le moteur et patientez jusqu'à ce que la lame soit complètement arrêtée avant de retirer le collecteur d'herbe.** Soyez conscient que la lame continue de tourner même après la mise hors tension.
20. **Lorsque vous utilisez la machine sur un sol boueux, une pente trempée ou un endroit glissant, faites attention de ne pas perdre l'équilibre.**
21. **Évitez de travailler dans un piètre environnement susceptible d'accroître la fatigue de l'utilisateur.**
22. **N'utilisez pas la machine par mauvais temps avec une visibilité réduite.** Le non-respect de cette précaution pourrait entraîner votre chute ou un fonctionnement incorrect en raison de la faible visibilité.
23. **Ne plongez pas la machine dans une flaque.**
24. **Si des feuilles mouillées ou des saletés se collent sur la bouche d'aspiration (ouverture d'aération) en raison de la pluie, retirez-les.**
25. **N'utilisez pas la machine dans la neige.**
26. **Si l'herbe coupée est mouillée, elle risque de se coincer dans la machine. Vérifiez régulièrement l'état de la machine et retirez l'herbe**



collée au besoin.

27. Lorsque vous utilisez la machine, faites attention à la tuyauterie et au câblage.

#### Entretien et rangement

1. Procédez régulièrement à l'inspection et à l'entretien de la tondeuse.
2. Gardez tous les écrous, boulons et vis bien serrés pour garantir le fonctionnement sûr de l'équipement.
3. Inspectez régulièrement le bac à herbe pour vérifier l'absence d'usure ou de détérioration. Avant le rangement, assurez-vous toujours que le bac à herbe est vide. Si le bac à herbe est usé, remplacez-le par un bac de rechange neuf pour votre sécurité.
4. Utilisez exclusivement les lames authentiques du fabricant spécifiées dans ce mode d'emploi.
5. Lorsque vous réglez la tondeuse, évitez de vous coincer les doigts entre les lames en mouvement et les pièces fixes de la tondeuse.
6. Vérifiez régulièrement le boulon de montage de la lame pour vous assurer qu'il est bien serré.
7. Laissez toujours refroidir la tondeuse avant de la ranger.
8. Lors de l'entretien des lames, gardez à l'esprit qu'elles peuvent tourner même si la source d'alimentation est coupée.
9. Ne retirez ni ne modifiez jamais les dispositifs de sécurité. Vérifiez régulièrement leur bon fonctionnement. Ne faites jamais quoi que ce soit susceptible d'entraver la fonction prévue d'un dispositif de sécurité ou de réduire la protection assurée par un dispositif de sécurité.
10. Ne laissez pas la machine sans surveillance à l'extérieur sous la pluie.
11. Ne lavez pas la machine avec de l'eau sous pression.
12. Lorsque vous lavez la machine, veillez à retirer la batterie et la clé de sécurité, et à refermer le couvercle de batterie, puis versez l'eau vers la partie inférieure de la machine sur laquelle la lame est fixée.
13. Lorsque vous rangez la machine, évitez les endroits exposés aux rayons directs du soleil ou à la pluie, et rangez-la dans un endroit tempéré et sec.
14. Procédez à l'inspection ou à l'entretien de la machine dans un endroit non affecté par la pluie.
15. Après avoir utilisé la machine, retirez la saleté collée et séchez-la complètement avant de la ranger. Selon la saison ou la région, le gel peut présenter un risque de dysfonctionnement.

#### Sécurité électrique et sécurité des batteries

1. N'ouvrez ni ne manipulez la ou les batteries. L'électrolyte qui s'échappe de la batterie est corrosif et peut irriter la peau ou les yeux. Il peut être toxique en cas d'ingestion.
2. Ne chargez pas la batterie sous la pluie ou dans un endroit mouillé.
3. Ne pas charger la batterie à l'extérieur.

4. Ne manipulez pas le chargeur, y compris la fiche du chargeur et les bornes du chargeur avec les mains mouillées.
5. Ne remplacez pas la batterie sous la pluie.
6. Ne mouillez pas la borne de la batterie avec un liquide comme de l'eau, ni ne plongez la batterie dans un liquide. Ne laissez pas la batterie sous la pluie et évitez de charger, utiliser ou ranger la batterie dans un endroit humide ou mouillé. Si la borne est mouillée ou si un liquide pénètre à l'intérieur de la batterie, un court-circuit est possible et risque de provoquer une surchauffe, un incendie ou une explosion.
7. Après avoir retiré la batterie de la machine ou du chargeur, veillez à fixer le couvercle de batterie sur la batterie et à la ranger dans un endroit sec.
8. Ne remplacez pas la batterie avec les mains mouillées.
9. Évitez les environnements dangereux. N'utilisez pas la machine dans un endroit humide ni ne l'exposez à la pluie. Le risque d'électrocution augmente si de l'eau pénètre dans la machine.
10. Si la batterie est mouillée, videz l'eau à l'intérieur, puis essuyez-la avec un chiffon sec. Séchez complètement la batterie dans un endroit sec avant utilisation.

## CONSERVEZ CES INSTRUCTIONS.

**⚠ AVERTISSEMENT :** NE vous laissez PAS tromper (au fil d'une utilisation répétée) par un sentiment d'aisance et de familiarité avec le produit, en négligeant le respect rigoureux des consignes de sécurité qui accompagnent le produit en question. La MAUVAISE UTILISATION de l'outil ou l'ignorance des consignes de sécurité indiquées dans ce mode d'emploi peut entraîner de graves blessures.

## Consignes de sécurité importantes pour la batterie

1. Avant d'utiliser la batterie, lisez toutes les instructions et précautions relatives (1) au chargeur de batterie, (2) à la batterie, et (3) au produit utilisant la batterie.
2. Ne désassemblez pas et ne modifiez pas la batterie. Cela pourrait entraîner un incendie, une chaleur excessive ou une explosion.
3. Cessez immédiatement l'utilisation si le temps de fonctionnement devient excessivement court. Il y a un risque de surchauffe, de brûlures, voire d'explosion.
4. Si l'électrolyte pénètre dans vos yeux, rincez-les à l'eau claire et consultez immédiatement un médecin. Il y a un risque de perte de la vue.
5. Ne court-circuitiez pas la batterie :
  - (1) Ne touchez les bornes avec aucun matériau conducteur.
  - (2) Évitez de ranger la batterie dans un

conteneur avec d'autres objets métalliques, par exemple des clous, des pièces de monnaie, etc.

- (3) **N'exposez pas la batterie à l'eau ou à la pluie.**

**Un court-circuit de la batterie peut provoquer une intensité de courant élevée, une surchauffe, parfois des brûlures et même une panne.**

6. **Ne rangez ni n'utilisez l'outil et la batterie dans un endroit où la température risque d'atteindre ou de dépasser 50 °C.**
7. **Ne jetez pas la batterie au feu même si elle est sérieusement endommagée ou complètement épuisée. La batterie peut exploser au contact du feu.**
8. **Abstenez-vous de clouer, couper, écraser, jeter, laisser tomber la batterie, ou de la heurter contre un objet dur.** Cela pourrait entraîner un incendie, une chaleur excessive ou une explosion.
9. **N'utilisez pas la batterie si elle est endommagée.**
10. **Les batteries au lithium-ion contenues sont soumises aux exigences de la législation sur les marchandises dangereuses.**

Lors du transport commercial par des tierces parties ou des transitaires par exemple, des exigences spécifiques en matière d'étiquetage et d'emballage doivent être respectées.

Pour la préparation de l'article expédié, il est nécessaire de consulter un expert en matériau dangereux. Veuillez également respecter les réglementations nationales susceptibles d'être plus détaillées.

Recouvrez les contacts exposés avec du ruban adhésif ou du ruban de masquage et emballez la batterie de telle sorte qu'elle ne puisse pas bouger dans l'emballage.

11. **Lors de la mise au rebut de la batterie, retirez-la de l'outil et jetez-la en lieu sûr. Suivez les réglementations locales en matière de mise au rebut des batteries.**
12. **Utilisez les batteries uniquement avec les produits spécifiés par Makita.** L'insertion de batteries dans des produits non conformes peut provoquer un incendie, une chaleur excessive, une explosion ou une fuite de l'électrolyte.
13. **Lorsque vous n'utilisez pas l'outil pendant une période prolongée, la batterie doit être retirée de l'outil.**
14. **Pendant et après l'utilisation, la batterie peut chauffer, ce qui peut entraîner des brûlures, y compris en cas de température relativement basse. Manipulez les batteries chaudes avec précaution.**
15. **Ne touchez pas la borne de l'outil immédiatement après utilisation car elle peut être assez chaude pour provoquer des brûlures.**
16. **Évitez que des copeaux, de la poussière ou du sol adhèrent aux bornes, aux trous et aux rainures de la batterie.** Cela peut provoquer un échauffement, un incendie, une explosion ou un dysfonctionnement de l'outil ou de la batterie, ce qui peut entraîner des brûlures ou des blessures.

17. **À moins que l'outil prenne en charge un tel usage, n'utilisez pas la batterie à proximité de lignes électriques haute tension.** Cela pourrait entraîner un dysfonctionnement ou casser l'outil ou la batterie.
18. **Conservez la batterie hors de portée des enfants.**

## CONSERVEZ CES INSTRUCTIONS.

**⚠ATTENTION : N'utilisez que des batteries Makita d'origine.** L'utilisation de batteries de marque autre que Makita ou de batteries modifiées peut provoquer l'explosion des batteries, ce qui présente un risque d'incendie, de dommages matériels et corporels. Cela annulera également la garantie Makita pour l'outil et le chargeur Makita.

**REMARQUE :** Makita n'est pas responsable des accidents résultant de l'utilisation de batteries autres que Makita ou de batteries modifiées. Les batteries Makita ont été rigoureusement évaluées pour s'assurer de leur compatibilité avec les outils et chargeurs Makita, conformément à la législation et aux normes de sécurité applicables.

## Conseils pour assurer la durée de vie optimale de la batterie

1. **Chargez la batterie avant qu'elle ne soit complètement déchargée. Arrêtez toujours l'outil et rechargez la batterie quand vous remarquez que la puissance de l'outil diminue.**
2. **Ne rechargez jamais une batterie complètement chargée. La surcharge réduit la durée de service de la batterie.**
3. **Chargez la batterie à une température ambiante comprise entre 10 °C et 40 °C. Avant de charger une batterie chaude, laissez-la refroidir.**
4. **Lorsque vous n'utilisez pas la batterie, retirez-la de l'outil ou du chargeur.**
5. **Rechargez la batterie si elle est restée inutilisée pendant une période prolongée (plus de six mois).**

## ASSEMBLAGE

**⚠AVERTISSEMENT :** Avant toute intervention sur la tondeuse, assurez-vous toujours que la clé de sécurité et la batterie sont retirées. En ne retirant pas la clé de sécurité et la batterie, vous risqueriez de vous blesser grièvement en cas de démarrage accidentel.

**⚠AVERTISSEMENT :** Ne démarrez la tondeuse que si ses pièces sont toutes montées. En utilisant une machine alors que ses pièces ne sont pas toutes montées, vous risqueriez de vous blesser grièvement en cas de démarrage accidentel.

## Installation du couvercle de batterie

**⚠ AVERTISSEMENT :** N'insérez pas la clé de sécurité et la batterie avant d'avoir installé le couvercle de batterie. Le non-respect de cette consigne peut entraîner des blessures graves.

Installez complètement le couvercle de batterie avant utilisation. Le couvercle de batterie protège la tondeuse et la batterie de la boue, des saletés et de l'eau.

1. Placez le couvercle de batterie en alignant les parties saillantes de la tondeuse avec les trous du couvercle.

► **Fig.1:** 1. Partie saillante 2. Trou 3. Couvercle de batterie

2. Posez vos mains au milieu du couvercle de batterie et enfoncez-le.

► **Fig.2**

3. Avant la première utilisation, vérifiez que les points d'articulation du couvercle de batterie sont assemblés correctement. Si le couvercle de batterie est correctement installé, il ne s'ouvrira pas tant que le levier de verrouillage du couvercle de batterie n'est pas actionné.

► **Fig.3:** 1. Point d'articulation 2. Levier de verrouillage du couvercle de batterie

## Installation de la poignée

**REMARQUE :** Lorsque vous installez les poignées, placez les cordons de sorte qu'ils courent librement entre les poignées. Si un cordon est endommagé, l'interrupteur de la tondeuse peut ne pas fonctionner.

1. Faites glisser les deux extrémités de la poignée inférieure dans les rainures de la tondeuse, puis serrez complètement les vis de serrage.

► **Fig.4:** 1. Vis de serrage 2. Poignée inférieure

2. Alignez les trous de vis de la poignée supérieure et de la poignée inférieure. Fixez-les à l'aide des vis et des écrous de serrage.

► **Fig.5:** 1. Écrou de serrage 2. Vis de serrage

**NOTE :** Tenez fermement la poignée supérieure de manière à ne pas la lâcher.

3. Fixez les supports à la poignée. Placez le cordon d'alimentation comme illustré sur la figure.

► **Fig.6:** 1. Support

## Retrait de l'insert broyeur

*Accessoire en option*

1. Ouvrez le couvercle arrière.

► **Fig.7:** 1. Couvercle arrière

2. Tenez l'insert broyeur par la poignée, puis sortez-le du corps de la tondeuse comme illustré sur la figure.

► **Fig.8:** 1. Insert broyeur 2. Poignée

## Assemblage du bac à herbe

Pour assembler le bac à herbe, exécutez les étapes suivantes.

1. Insérez avec une légère inclinaison le cadre dans les trous sur le bac à herbe tout en soutenant la pince comme illustré sur la figure.

► **Fig.9:** 1. Pince 2. Cadre 3. Trou

2. Ouvrez toutes les pinces et fixez-les solidement au cadre.

► **Fig.10:** 1. Pinces

3. Serrez les deux boulons avec la clé hexagonale fournie dans l'emballage de la machine pour les fixer en place.

► **Fig.11:** 1. Boulons 2. Clé hexagonale

## Pose du bac à herbe

1. Ouvrez le couvercle arrière.

► **Fig.12:** 1. Couvercle arrière

2. Accrochez le bac à herbe sur la tige de la tondeuse comme illustré sur la figure.

► **Fig.13:** 1. Crochet 2. Tige 3. Bac à herbe

## Fixation de l'insert broyeur

*Accessoire en option*

1. Ouvrez le couvercle arrière, puis retirez le bac à herbe.

► **Fig.14:** 1. Couvercle arrière 2. Bac à herbe

2. Tenez l'insert broyeur par la poignée, puis fixez-le au corps de la tondeuse comme illustré sur la figure.

► **Fig.15:** 1. Insert broyeur 2. Poignée

## DESCRIPTION DU FONCTIONNEMENT

### Insertion ou retrait de la batterie

**⚠ ATTENTION :** Éteignez toujours la machine avant de mettre en place ou de retirer la batterie.

**⚠ ATTENTION :** Veillez à verrouiller le couvercle de batterie avant toute utilisation. Autrement, la boue, les saletés ou l'eau risquent d'endommager le produit ou la batterie.

**⚠ ATTENTION :** Insérez toujours la batterie à fond, jusqu'à ce que le voyant rouge ne soit plus visible. Sinon, elle risque de tomber accidentellement de la machine, ce qui peut blesser l'utilisateur ou une autre personne.

**⚠ ATTENTION :** Ne forcez pas pour insérer la batterie. Si elle ne glisse pas facilement, c'est que vous ne l'insérez pas correctement.

**NOTE :** La machine ne peut pas fonctionner avec une seule batterie.

### Pour mettre la batterie en place ;

1. Faites glisser le levier de verrouillage du couvercle de batterie et ouvrez le couvercle de batterie.

► **Fig.16:** 1. Couvercle de batterie 2. Levier de verrouillage du couvercle de batterie

2. Alignez la languette de la batterie sur la fente de la tondeuse et faites glisser la batterie jusqu'à ce qu'elle se verrouille en place (vous devez entendre un léger dé clic).

► **Fig.17:** 1. Batterie

3. Insérez à fond la clé de sécurité à l'emplacement indiqué sur la figure.

► **Fig.18:** 1. Clé de sécurité

4. Fermez le couvercle de batterie et appuyez dessus jusqu'à ce qu'il soit verrouillé par le levier de verrouillage.

### Pour retirer la batterie de la tondeuse ;

1. Faites glisser le levier de verrouillage du couvercle de batterie et ouvrez le couvercle de batterie.

2. Retirez la batterie de la tondeuse en faisant glisser le bouton à l'avant de la batterie.

3. Tirez sur la clé de sécurité pour la retirer.

4. Fermez le couvercle de batterie.

## Système de protection de la machine/batterie

La machine est dotée d'un système de protection de la machine/batterie. Ce système coupe automatiquement l'alimentation vers le moteur pour prolonger la durée de vie de l'outil et de la batterie. Si la machine ou la batterie se trouve dans l'une des situations suivantes, la machine cessera automatiquement de fonctionner.

### Protection contre la surcharge

Lorsque la machine est utilisée d'une façon qui entraîne un appel de courant anormalement élevé, elle s'arrête automatiquement sans aucune indication. Dans ce cas, éteignez la machine et arrêtez la tâche ayant provoqué sa surcharge. Puis rallumez la machine pour reprendre la tâche.

### Protection contre la surchauffe

Lorsque la machine est en surchauffe, elle s'arrête automatiquement. Laissez la machine refroidir avant de la remettre sous tension.

### Protection contre la décharge totale de la batterie

Lorsque la capacité de la batterie devient faible, la machine s'arrête automatiquement. Si le produit ne fonctionne pas même en actionnant les interrupteurs, retirez les batteries de la machine et chargez-les.

## Indication de la charge restante de la batterie

► **Fig.19:** 1. Témoin de la batterie

Lorsque l'autonomie restante de la batterie diminue, le témoin de la batterie clignote du côté batterie

correspondant. Si vous continuez à utiliser la machine, elle s'arrête et le témoin de la batterie s'allume. Dans ce cas, rechargez la batterie.

## Indication de la charge restante de la batterie

### Uniquement pour les batteries avec voyant lumineux

Appuyez sur le bouton de vérification sur la batterie pour indiquer la charge restante de la batterie. Les témoins s'allument pendant quelques secondes.

► **Fig.20:** 1. Témoins 2. Bouton de vérification

| Témoins |        |            | Charge restante                   |
|---------|--------|------------|-----------------------------------|
| Allumé  | Éteint | Clignotant |                                   |
|         |        |            | 75 % à 100 %                      |
|         |        |            | 50 % à 75 %                       |
|         |        |            | 25 % à 50 %                       |
|         |        |            | 0 % à 25 %                        |
|         |        |            | Chargez la batterie.              |
|         |        |            | Anomalie possible de la batterie. |
|         |        |            |                                   |

**NOTE :** Selon les conditions d'utilisation et la température ambiante, l'indication peut être légèrement différente de la capacité réelle.

**NOTE :** Le premier témoin (complètement à gauche) clignotera pendant le fonctionnement du système de protection de la batterie.

## Fonctionnement de la gâchette

**⚠ AVERTISSEMENT :** Avant de mettre la batterie en place, vérifiez toujours que le levier d'interrupteur fonctionne correctement et revient en position initiale une fois libéré. L'utilisation d'une machine dont l'interrupteur est défectueux comporte un risque de perte de contrôle et de graves blessures.

**NOTE :** Même si vous tirez sur le levier d'interrupteur, la tondeuse ne démarre pas si vous n'appuyez pas sur le bouton d'interrupteur.

**NOTE :** La tondeuse peut ne pas démarrer en raison d'une surcharge si vous essayez de tondre de l'herbe haute ou dense en une fois. Augmentez la hauteur de tonte dans ce cas.

Cette tondeuse est équipée d'un interrupteur d'interverrouillage et d'un interrupteur de poignée. Si vous constatez une anomalie sur l'un ou l'autre de ces interrupteurs, cessez immédiatement l'utilisation et faites-le vérifier par le centre de service après-vente Makita agréé le plus proche.

1. Mettez les batteries en place. Insérez la clé de sécurité dans l'interrupteur d'interverrouillage puis fermez le couvercle de batterie.

► **Fig.21:** 1. Batterie 2. Clé de sécurité

2. Maintenez enfoncé le bouton d'interrupteur.

3. Saisissez la poignée supérieure et tirez sur le levier d'interrupteur.

► **Fig.22:** 1. Bouton d'interrupteur 2. Levier d'interrupteur

4. Libérez le bouton d'interrupteur dès que le moteur se met à tourner. La tondeuse continue de tourner jusqu'à ce que vous libériez le levier d'interrupteur.

5. Pour couper le moteur, libérez le levier d'interrupteur.

## Réglage de la hauteur de tonte

**⚠ AVERTISSEMENT :** Ne mettez jamais une main ou une jambe sous la tondeuse pendant que vous réglez la hauteur de tonte.

**⚠ AVERTISSEMENT :** Avant l'utilisation, assurez-vous toujours que le levier se loge bien dans la rainure.

La hauteur de tonte est réglable dans une plage comprise entre 20 mm et 75 mm.

1. Retirez la clé de sécurité.

2. Poussez le levier de réglage de la hauteur de tonte vers l'extérieur de la tondeuse et déplacez-le sur la hauteur de tonte souhaitée.

► **Fig.23:** 1. Levier de réglage de la hauteur de tonte

**NOTE :** Les chiffres de la hauteur de tonte doivent être utilisés à titre indicatif. Selon l'état de la pelouse ou du sol, la hauteur réelle du gazon peut être légèrement différente de la hauteur définie.

**NOTE :** Faites un essai de tonte en un point peu visible pour vérifier si vous obtenez la hauteur de tonte désirée.

## Témoin de niveau d'herbe

► **Fig.24:** 1. Témoin de niveau d'herbe

Le témoin de niveau d'herbe indique le volume d'herbe tondue.

- Lorsque le bac à herbe n'est pas plein, l'indicateur flotte pendant la tonte.
- Lorsque le bac à herbe est plein, l'indicateur ne flotte pas pendant la tonte. Il faut alors immédiatement arrêter de tondre et vider le bac. Après avoir vidé le bac, nettoyez-le afin que ses mailles laissent passer l'air.

**NOTE :** Le témoin donne une indication approximative. Suivant les conditions à l'intérieur du bac, il se peut que le témoin ne fonctionne pas correctement.

## Utilisation de l'insert broyeur

### Accessoire en option

L'insert broyeur vous permet d'évacuer l'herbe coupée au sol sans la collecter dans le bac à herbe. Lorsque

vous utilisez la machine avec l'insert broyeur, veillez à retirer le bac à herbe.

**REMARQUE :** Lors de l'utilisation de la machine avec l'insert broyeur, assurez-vous que la hauteur totale de l'herbe après la coupe est de 30 mm ou plus, et que la longueur de coupe est de 15 mm ou moins.

► **Fig.25:** (1) 30 mm ou plus (2) 15 mm ou moins

## UTILISATION

### Tonte

**⚠ AVERTISSEMENT :** Avant de commencer à tondre, enlevez les bouts de bois et les cailloux de la zone à tondre. Enlevez également les mauvaises herbes au préalable de la zone à tondre.

**⚠ AVERTISSEMENT :** Lorsque vous utilisez la tondeuse, portez toujours des lunettes de sécurité ou lunettes à coques à écrans latéraux.

**⚠ ATTENTION :** Si de l'herbe coupée ou un objet étranger se coince dans le corps de la tondeuse, veillez à retirer la clé de sécurité et la batterie, et à porter des gants avant de retirer l'herbe ou l'objet étranger.

**REMARQUE :** Utilisez cette machine exclusivement pour tondre la pelouse. N'utilisez pas cette machine pour couper des mauvaises herbes.

► **Fig.26**

Pendant la tonte, tenez fermement la poignée à deux mains.

La vitesse de tonte indicative est d'environ 1 mètre toutes les 4 secondes.

► **Fig.27**

Les bords externes des roues avant donnent une indication de la largeur de tonte. En vous servant des bords externes des roues avant comme indication, tondez en bandes. Chevauchez la bande précédente de la moitié à un tiers, afin de tondre la pelouse uniformément.

► **Fig.28:** 1. Largeur de tonte 2. Surface de chevauchement 3. Bord externe

Changez chaque fois le sens de la tonte pour éviter que le motif de l'herbe ne se forme que dans un sens.

► **Fig.29**

Vérifiez régulièrement l'herbe tondue dans le bac à herbe. Videz le bac à herbe avant qu'il ne soit plein. Avant chaque contrôle périodique, veillez à arrêter la tondeuse et à enlever la clé de sécurité et la batterie.

**REMARQUE :** Si vous continuez d'utiliser la tondeuse alors que le bac à herbe est plein, la lame ne pourra pas tourner librement et le moteur sera surchargé, ce qui comporte un risque de panne.

## Tonte d'un gazon à herbe haute

N'essayez pas de couper l'herbe haute d'un seul coup. Tondez plutôt la pelouse par étapes. Espacez les tontes d'un jour ou deux, jusqu'à ce que le gazon soit uniformément court.

**NOTE** : L'herbe haute risque de s'étioler si vous la coupez très court d'un seul coup. L'herbe coupée peut également bloquer le mécanisme interne de la tondeuse.

## Vidange du bac à herbe

**⚠ AVERTISSEMENT** : Pour réduire les risques d'accident, assurez-vous régulièrement que le bac à herbe n'est pas endommagé ou affaibli. Remplacez le bac à herbe au besoin.

1. Libérez le levier d'interrupteur.
2. Retirez la clé de sécurité.
3. Ouvrez le couvercle arrière et retirez le bac à herbe en tenant la poignée.

► **Fig.30**: 1. Couvercle arrière 2. Poignée

4. Videz le bac à herbe.

## ENTRETIEN

**⚠ AVERTISSEMENT** : Assurez-vous toujours que la clé de sécurité et la batterie sont retirées de la tondeuse avant de la ranger, de la transporter ou d'en faire l'inspection ou l'entretien.

**⚠ AVERTISSEMENT** : Retirez toujours la clé de sécurité lorsque vous n'utilisez pas la tondeuse. Rangez la clé de sécurité dans un emplacement sûr, hors de la portée des enfants.

**⚠ AVERTISSEMENT** : Portez des gants lorsque vous effectuez l'inspection ou l'entretien.

**⚠ AVERTISSEMENT** : Portez toujours des lunettes de sécurité ou lunettes à coques à écrans latéraux lorsque vous procédez à l'inspection ou l'entretien de la machine.

**REMARQUE** : N'utilisez jamais d'essence, benzine, diluant, alcool ou autre produit similaire. Cela risquerait de provoquer la décoloration, la déformation ou la fissuration de l'outil.

Pour assurer la SÉCURITÉ et la FIABILITÉ du produit, toute réparation, tout travail d'entretien ou de réglage doivent être effectués par un centre d'entretien Makita agréé, avec des pièces de rechange Makita.

## Entretien

1. Retirez la clé de sécurité. Rangez-la dans un emplacement sûr, hors de la portée des enfants.
2. Utilisez un chiffon humide pour nettoyer la tondeuse. Évitez de vaporiser ou de verser de l'eau sur la tondeuse pour la nettoyer.
3. Basculez la tondeuse sur le côté et enlevez

l'herbe coupée accumulée sous le plateau de la tondeuse.

4. Assurez-vous que les écrous, boulons, boutons, vis, attaches et autres fixations sont bien serrés.

5. Vérifiez l'absence de dommages, de bris et d'usure sur les pièces mobiles. Les pièces endommagées ou manquantes doivent être réparées ou remplacées.

## Rangement

**⚠ AVERTISSEMENT** : Pour transporter ou ranger la tondeuse, tenez-la par la poignée avant, pas par les poignées rabattues. Vous risquez de vous blesser grièvement ou d'endommager la tondeuse si vous la tenez par les poignées rabattues.

Avant de ranger la tondeuse, retirez la batterie et la clé de sécurité.

Rangez la tondeuse à l'intérieur, dans un endroit frais, sec et verrouillé. Ne rangez pas la tondeuse et le chargeur dans un endroit où la température peut atteindre ou dépasser 40 °C.

► **Fig.31**: 1. Poignée avant 2. Poignée arrière

1. Desserrez les vis de serrage et déployez la poignée inférieure des deux côtés. Abaissez la poignée vers l'avant. À cet instant, maintenez une poigne ferme sur la poignée inférieure de sorte que la poignée ne tombe pas de l'autre côté de la tondeuse.

► **Fig.32**: 1. Vis de serrage 2. Poignée inférieure

2. Desserrez les écrous de serrage et faites pivoter la poignée supérieure vers l'arrière tout en déployant les deux côtés.

► **Fig.33**: 1. Écrou de serrage 2. Poignée supérieure

3. Rangez le bac à herbe entre la poignée et la tondeuse.

► **Fig.34**: 1. Bac à herbe

**NOTE** : Lorsque vous placez la tondeuse à la verticale, ne tenez pas la poignée, mais utilisez la poignée avant de la tondeuse.

## Pose ou dépose de la lame de tondeuse

**⚠ AVERTISSEMENT** : Avant de déposer ou de poser la lame, retirez toujours la clé de sécurité et la batterie. Vous risquez une grave blessure si vous ne retirez pas la clé de sécurité et la batterie.

**⚠ AVERTISSEMENT** : La lame continue de tourner pendant quelques secondes après la libération de l'interrupteur. Ne démarrez aucune opération tant que la lame n'est pas complètement arrêtée.

**⚠ AVERTISSEMENT** : Portez toujours des gants pour manipuler la lame.

## Retrait de la lame de tondeuse

### Pour DLM382

1. Basculez la tondeuse sur le côté pour que le levier de réglage de la hauteur de tonte se place sur le dessus.

2. Pour verrouiller la rotation de la lame, insérez un tournevis ou un outil similaire dans un trou sur le corps de la tondeuse.

3. Tournez le boulon dans le sens inverse des aiguilles d'une montre avec la clé.

► **Fig.35:** 1. Lame de tondeuse 2. Tournevis 3. Clé

4. Retirez le boulon et la lame dans cet ordre.

► **Fig.36:** 1. Support de lame 2. Lame de tondeuse 3. Boulon

### Pour DLM432

1. Basculez la tondeuse sur le côté pour que le levier de réglage de la hauteur de tonte se place sur le dessus.

2. Pour verrouiller la rotation de la lame, insérez un tournevis ou un outil similaire dans un trou sur le corps de la tondeuse.

3. Tournez le boulon dans le sens inverse des aiguilles d'une montre avec la clé.

► **Fig.37:** 1. Lame de tondeuse 2. Tournevis 3. Clé

4. Déposez le boulon, la flasque extérieure, la lame de tondeuse et la flasque intérieure (dans cet ordre).

► **Fig.38:** 1. Flasque intérieure 2. Lame de tondeuse 3. Flasque extérieure 4. Boulon

## Mise en place de la lame de tondeuse

Pour installer la lame de tondeuse, suivez la procédure de dépose en sens inverse.

**⚠ AVERTISSEMENT :** Installez la lame de tondeuse soigneusement. Elle présente une face supérieure et une face inférieure. Placez la lame de sorte que la flèche d'indication du sens de rotation soit tournée vers l'extérieur.

**⚠ AVERTISSEMENT :** Pour fixer la lame, serrez fermement le boulon en tournant dans le sens des aiguilles d'une montre.

**⚠ AVERTISSEMENT :** Assurez-vous que la lame de tondeuse et toutes les pièces de fixation sont correctement installées et solidement serrées.

**⚠ AVERTISSEMENT :** Lorsque vous remplacez les lames, suivez toujours les instructions fournies dans ce mode d'emploi.

## GUIDE DE DÉPANNAGE

Avant de faire une demande de réparation, effectuez d'abord vous-même une inspection. Si vous rencontrez un problème non documenté dans le mode d'emploi, n'essayez pas de démonter l'outil. Demandez plutôt à un centre de service après-vente Makita agréé d'effectuer la réparation au moyen de pièces de rechange Makita.

| État d'anomalie  | Cause probable (dysfonctionnement)                                 | Solution  |
|--|--|---|
| La tondeuse ne démarre pas.  | Les deux batteries ne sont pas installées.                         | Installez les batteries chargées.   |
|  | Problème de batterie (tension insuffisante)                        | Rechargez la batterie. Si vous n'arrivez pas à recharger la batterie, remplacez-la. |
|  | La clé de sécurité n'est pas insérée.                              | Insérez la clé de sécurité.   |
| Le moteur s'arrête au bout d'un court moment.                                | La charge de la batterie est faible.                               | Rechargez la batterie. Si vous n'arrivez pas à recharger la batterie, remplacez-la. |
|  | La hauteur de coupe est trop basse.                                | Augmentez la hauteur de coupe.  |
| Le moteur ne tourne pas à plein régime.                                      | La batterie n'est pas bien installée.                              | Suivez les instructions de ce mode d'emploi pour installer la batterie.             |
|  | La batterie faiblit.   | Rechargez la batterie. Si vous n'arrivez pas à recharger la batterie, remplacez-la. |
|  | Le mécanisme d'entraînement ne fonctionne pas bien.                | Demandez à votre centre de service après-vente agréé d'effectuer la réparation.     |
| La lame de tondeuse ne tourne pas :<br>⇒ arrêtez immédiatement la tondeuse ! | Un corps étranger, tel qu'une branche, est coincé près de la lame. | Retirez le corps étranger.  |
|  | Le mécanisme d'entraînement ne fonctionne pas bien.                | Demandez à votre centre de service après-vente agréé d'effectuer la réparation.     |
| Vibrations anormales :<br>⇒ arrêtez immédiatement la tondeuse !              | La lame est déséquilibrée, trop usée ou usée de manière inégale.   | Remplacez la lame.  |



# ACCESSOIRES EN OPTION

**⚠ ATTENTION** : Ces accessoires ou pièces complémentaires sont recommandés pour l'utilisation avec l'outil Makita spécifié dans ce mode d'emploi. L'utilisation de tout autre accessoire ou pièce complémentaire peut comporter un risque de blessure. N'utilisez les accessoires ou pièces complémentaires qu'aux fins auxquelles ils ont été conçus.

Pour obtenir plus de détails sur ces accessoires, contactez votre centre d'entretien local Makita.

- Lame de tondeuse
- Insert broyeur
- Batterie et chargeur de marque Makita

**NOTE** : Il se peut que certains éléments de la liste soient compris dans l'emballage de l'outil en tant qu'accessoires standard. Ils peuvent varier d'un pays à l'autre.



## TECHNISCHE DATEN

| Modell:                           |                              | DLM382  | DLM432  |
|-----------------------------------|------------------------------|---|---|
| Mähbreite (Messerdurchmesser)     |                              | 380 mm  | 430 mm  |
| Leerlaufdrehzahl                  |                              | 3.700 min <sup>-1</sup>   | 3.600 min <sup>-1</sup>   |
| Teilenummer des Ersatz-Mähmessers |                              | 191D41-2  | 191D43-8  |
| Abmessungen (L x B x H)           | während des Betriebs         | L: 1.380 mm bis 1.410 mm<br>B: 450 mm<br>H: 985 mm bis 1.005 mm | L: 1.435 mm bis 1.490 mm<br>B: 460 mm<br>H: 1.005 mm bis 1.045 mm |
|                                   | bei Lagerung (ohne Graskorb) | 860 mm x 450 mm x 475 mm  | 865 mm x 460 mm x 475 mm  |
| Nennspannung                      |                              | 36 V Gleichstrom  |   |
| Nettogewicht                      |                              | 15,5 - 16,5 kg  | 16,0 - 16,9 kg  |

- Wir behalten uns vor, Änderungen der technischen Daten im Zuge der Entwicklung und des technischen Fortschritts ohne vorherige Ankündigung vorzunehmen.
- Die technischen Daten können von Land zu Land unterschiedlich sein.
- Der Nettogewichtswert beinhaltet die leichteste und schwerste Kombination des Ausatzes (der Aufsätze) und des (der) Akkus, der (die) in der Betriebsanleitung angegeben ist (sind).

## Zutreffende Akkus und Ladegeräte

|           |   |
|-----------|---|
| Akku      | BL1830B / BL1840B / BL1850B / BL1860B                                 |
| Ladegerät | DC18RC / DC18RD / DC18RE / DC18SD / DC18SE / DC18SF / DC18SH / DC18WC |




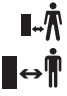

- Einige der oben aufgelisteten Akkus und Ladegeräte sind je nach Ihrem Wohngebiet eventuell nicht erhältlich.





**⚠️ WARNUNG:** Verwenden Sie nur die oben aufgeführten Akkus und Ladegeräte. Bei Verwendung irgendwelcher anderer Akkus und Ladegeräte besteht Verletzungs- und/oder Brandgefahr.

**⚠️ WARNUNG:** Verwenden Sie keine verkabelte Stromversorgung, wie z. B. einen Akku-Adapter oder eine rückentragbare Akku-Bank, mit dieser Maschine. Anderenfalls kann das Kabel einer solchen Stromversorgung den Betrieb behindern und Personenschäden verursachen.

## Symbole

Nachfolgend werden Symbole beschrieben, die für das Gerät verwendet werden können. Machen Sie sich unbedingt vor der Benutzung mit ihrer Bedeutung vertraut.

|  |   |
|--|---|
|  | Besondere Umsicht und Aufmerksamkeit erforderlich.  |
|  | Betriebsanleitung lesen.  |
|  | Gefahr durch herausgeschleuderte Objekte.   |
|  | Der Abstand zwischen dem Werkzeug und Umstehenden sollte mindestens 15 m betragen.  |
|  | Halten Sie niemals Ihre Hände und Füße in die Nähe des Mähmessers unter dem Mäher. Die Mähmesser drehen sich nach dem Ausschalten des Motors noch weiter. |

|   |   |
|---|---|
|   | Entfernen Sie den Sperrschlüssel, bevor Sie den Mäher überprüfen, einstellen, reinigen, warten, verlassen und lagern. |
|  | Warnung: Batterie vor Wartung abklemmen.  |
|  | Garantierter Schallleistungspegel gemäß der EU-Richtlinie über Außenlärm.   |
|  | Schallleistungspegel gemäß der australischen NSW-Lärmschutzverordnung   |



Nur für EU-Länder  
Aufgrund des Vorhandenseins gefährlicher Komponenten in der Ausrüstung können Elektro- und Elektronik-Altgeräte, Akkumulatoren und Batterien sich negativ auf die Umwelt und die menschliche Gesundheit auswirken. Entsorgen Sie Elektro- und Elektronikgeräte oder Batterien nicht mit dem Hausmüll!  
In Übereinstimmung mit der Europäischen Richtlinie über Elektro- und Elektronik-Altgeräte, Akkumulatoren und Batterien, verbrauchte Akkumulatoren und Batterien sowie ihrer Anpassung an nationales Recht sollten Elektro-Altgeräte, Batterien und Akkumulatoren gemäß den Umweltschutzbestimmungen getrennt gelagert und zu einer getrennten Sammelstelle für Siedlungsabfälle geliefert werden.  
Dies wird durch das am Gerät angebrachte Symbol der durchgestrichenen Abfalltonne auf Rädern angezeigt.

## Vorgesehene Verwendung

Die Maschine ist für Rasenmähen vorgesehen.

## Geräusch

Typischer A-bewerteter Geräuschpegel ermittelt gemäß EN IEC 62841-4-3:

| Modell | Gemessener Schallleistungspegel ( $L_{WA}$ ): (dB(A)) | Garantierter Schallleistungspegel ( $L_{WA}$ ): (dB(A)) |
|--------|---|---|
| DLM382 | 91  | 94  |
| DLM432 | 92  | 95  |

| Modell | Schalldruckpegel ( $L_{pA}$ ): (dB (A)) | Messunsicherheit für den Schalldruckpegel (K): (dB(A)) |
|--------|---|--|
| DLM382 | 81                                      | 3  |
| DLM432 | 81                                      | 3  |

**HINWEIS:** Der (Die) angegebene(n) Schallemissionswert(e) wurde(n) im Einklang mit der Standardprüfmethode gemessen und kann (können) für den Vergleich zwischen Werkzeugen herangezogen werden.

**HINWEIS:** Der (Die) angegebene(n) Schallemissionswert(e) kann (können) auch für eine vorläufige Bewertung der Geräuschbelastung verwendet werden.

**⚠️ WARNUNG:** Einen Gehörschutz tragen.

**⚠️ WARNUNG:** Die Schallemission beim tatsächlichen Benutzen des Elektrowerkzeugs kann je nach der Art und Weise, wie dieses Werkzeug benutzt wird, von dem (den) angegebenen Gesamtwert(en) abweichen.

**⚠️ WARNUNG:** Identifizieren Sie Sicherheitsmaßnahmen zum Schutz des Benutzers anhand einer Schätzung des Gefährdungsgrads unter den tatsächlichen Benutzungsbedingungen (unter Berücksichtigung aller Phasen des Arbeitszyklus, wie z. B. Ausschalt- und Leerlaufzeiten des Werkzeugs zusätzlich zur Betriebszeit).

## Schwingungen

Der kontinuierliche Schwingungsgesamtwert (Drei-Achsen-Vektorsumme), ermittelt gemäß EN IEC 62841-4-3:

### Modell DLM382

Schwingungsemission ( $a_h$ ): 2,5 m/s<sup>2</sup> oder weniger  
Messunsicherheit (K): 2,0 m/s<sup>2</sup>

### Modell DLM432

Schwingungsemission ( $a_h$ ): 2,5 m/s<sup>2</sup> oder weniger  
Messunsicherheit (K): 1,5 m/s<sup>2</sup>

**HINWEIS:** Der (Die) angegebene(n) Vibrationsgesamtwert(e) wurde(n) im Einklang mit der Standardprüfmethode gemessen und kann (können) für den Vergleich zwischen Werkzeugen herangezogen werden.

**HINWEIS:** Der (Die) angegebene(n) Schwingungsgesamtwert(e) kann (können) auch für eine Vorbewertung des Gefährdungsgrads verwendet werden.

**⚠️ WARNUNG:** Die Schwingungsemission während der tatsächlichen Benutzung des Elektrowerkzeugs kann je nach der Benutzungsweise des Werkzeugs von dem (den) angegebenen Gesamtwert(en) abweichen.

**⚠️ WARNUNG:** Identifizieren Sie Sicherheitsmaßnahmen zum Schutz des Benutzers anhand einer Schätzung des Gefährdungsgrads unter den tatsächlichen Benutzungsbedingungen (unter Berücksichtigung aller Phasen des Arbeitszyklus, wie z. B. Ausschalt- und Leerlaufzeiten des Werkzeugs zusätzlich zur Betriebszeit).

## Konformitätserklärungen

### Nur für europäische Länder

Die Konformitätserklärungen sind in Anhang A dieser Betriebsanleitung enthalten.

# SICHERHEITSWARNUNGEN

## Allgemeine Sicherheitswarnungen für Elektrowerkzeuge

**⚠️ WARNUNG** Lesen Sie alle Sicherheitshinweise, Anweisungen, Abbildungen und Spezifikationen, die diesem Elektrowerkzeug beiliegen. Eine Missachtung der unten aufgeführten Anweisungen kann zu einem elektrischen Schlag, Brand und/oder schweren Verletzungen führen.

## Bewahren Sie alle Warnungen und Anweisungen für spätere Bezugnahme auf.

Der Ausdruck „Elektrowerkzeug“ in den Warnhinweisen bezieht sich auf Ihr mit Netzstrom (mit Kabel) oder Akku (ohne Kabel) betriebenes Elektrowerkzeug.

## Sicherheitswarnungen für Akku-Rasenmäher

1. **Vermeiden Sie die Benutzung des Rasenmähers bei schlechten Witterungsverhältnissen, besonders bei Blitzschlaggefahr.** Dadurch wird die Gefahr, von einem Blitz getroffen zu werden, verringert.
2. **Untersuchen Sie den Bereich, in dem der Rasenmäher verwendet werden soll, gründlich auf Wildtiere.** Wildtiere können durch den Rasenmäher während des Betriebs verletzt werden.
3. **Inspizieren Sie den Bereich, in dem der Rasenmäher verwendet werden soll, gründlich, und entfernen Sie alle Steine, Stöcke, Drähte, Knochen und andere Fremdkörper.** Herausgeschleuderte Objekte können Personenschäden verursachen.
4. **Führen Sie vor der Verwendung des Rasenmähers immer eine visuelle Inspektion durch, um sicherzustellen, dass das Messer und die Messerbaugruppe nicht abgenutzt oder beschädigt sind.** Verschlissene oder beschädigte Teile erhöhen die Verletzungsgefahr.
5. **Überprüfen Sie den Grasfänger häufig auf Verschleiß oder Verschlechterung.** Ein verschlissener oder beschädigter Grasfänger kann das Risiko von Personenschäden erhöhen.
6. **Halten Sie die Schutzvorrichtungen in Position. Schutzvorrichtungen müssen betriebsfähig und ordnungsgemäß montiert sein.** Eine lose, beschädigte oder nicht korrekt funktionierende Schutzvorrichtung kann zu Personenschäden führen.
7. **Halten Sie alle Kühllufteinlässe frei von Unrat.** Verstopfte Luftpfeileinlässe und Ablagerungen können zu Überhitzung oder Brandgefahr führen.
8. **Tragen Sie während des Betriebs des Rasenmähers immer rutschfestes und schützendes Schuhwerk. Betreiben Sie den**

**Rasenmäher nicht barfuß oder mit offenen Sandalen.** Dadurch wird die Verletzungsgefahr für die Füße durch Kontakt mit dem rotierenden Messer verringert.

9. **Tragen Sie während des Betriebs des Rasenmähers immer eine lange Hose.** Ungeschützte Haut erhöht die Wahrscheinlichkeit von Verletzungen durch weggeschleuderte Gegenstände.
10. **Betreiben Sie den Rasenmäher nicht in nassem Gras. Stets gehen, niemals laufen.** Dadurch wird die Gefahr des Rutschens und Stürzens, bei dem es zu Personenschäden kommen kann, verringert.
11. **Betreiben Sie den Rasenmäher nicht auf übermäßig steilen Hängen.** Dies reduziert die Gefahr des Verlusts der Kontrolle, des Rutschens und Stürzens, was zu Personenschäden führen kann.
12. **Achten Sie beim Arbeiten auf Hängen stets auf Ihren Halt, arbeiten Sie stets quer zur Hangfläche, niemals auf- oder abwärts, und lassen Sie bei Richtungswechseln äußerste Vorsicht walten.** Dies reduziert die Gefahr des Verlusts der Kontrolle, des Rutschens und Stürzens, was zu Personenschäden führen kann.
13. **Lassen Sie äußerste Vorsicht walten, wenn Sie den Rasenmäher rückwärts betreiben oder auf sich zu ziehen. Achten Sie immer auf Ihre Umgebung.** Dadurch wird die Stolpergefahr während des Betriebs verringert.
14. **Berühren Sie die Messer und andere gefährliche bewegliche Teile nicht, während sie noch in Bewegung sind.** Dadurch wird die Verletzungsgefahr durch bewegte Teile verringert.
15. **Stellen Sie beim Beseitigen von eingeklemmtem Material oder beim Reinigen des Rasenmähers sicher, dass alle Betriebsschalter ausgeschaltet sind und der Akku abgeklemmt ist.** Unerwarteter Betrieb des Rasenmähers kann zu schweren Personenschäden führen.

## Zusätzliche Sicherheitswarnungen

### Einarbeitung

1. **Lesen Sie die Anweisungen sorgfältig durch. Machen Sie sich mit der Bedienung und dem korrekten Gebrauch des Mähers vertraut.**
2. **Kinder oder Personen, die nicht mit dieser Anleitung vertraut sind, dürfen den Mäher keinesfalls benutzen. Örtliche Vorschriften können das Alter der Bedienungsperson einschränken.**
3. **Betreiben Sie den Mäher keinesfalls, während sich Personen, besonders Kinder, oder Haustiere in der Nähe aufhalten.**
4. **Der Bediener oder Benutzer ist verantwortlich für Verletzungen oder Sachschäden, die an Personen oder ihrem Eigentum entstehen.**

### Vorbereitung

1. **Vergewissern Sie sich, dass sich keine anderen Personen im Arbeitsbereich aufhalten, bevor Sie mit dem Mähen beginnen. Stellen Sie den Mäher ab, falls jemand den Arbeitsbereich betritt.**

2. **Stecken Sie den Sperrschlüssel nicht eher in den Mäher, bis dieser betriebsbereit ist.**
3. **Achten Sie auf Löcher, Furchen, Bodenwellen, Steine oder sonstige verborgene Objekte.** Unebenes Gelände könnte einen Unfall durch Ausrutschen und Hinfallen verursachen. Hohes Gras kann Hindernisse verbergen.
4. **Unterlassen Sie Einstecken oder Abziehen des Sperrschlüssels im Regen.**

#### **Betrieb**

1. **Halten Sie den Mäher an, entfernen Sie den Sperrschlüssel, und vergewissern Sie sich, dass alle beweglichen Teile zu einem vollständigen Stillstand gekommen sind**
  - wenn immer Sie den Mäher verlassen;
  - bevor Sie Blockierungen beseitigen oder den Auswurf frei machen;
  - bevor Sie den Mäher überprüfen, reinigen oder daran arbeiten.
2. **Falls der Rasenmäher auf einen Fremdkörper stößt, gehen Sie folgendermaßen vor:**
  - Stellen Sie den Mäher ab, lassen Sie den Schalthebel los, und warten Sie, bis das Messer zum vollständigen Stillstand kommt.
  - Entfernen Sie den Sperrschlüssel und den Akku.
  - Überprüfen Sie den Mäher gründlich auf etwaige Beschädigung.
  - Tauschen Sie das Messer aus, falls es in irgendeiner Weise beschädigt ist. Reparieren Sie etwaige Schäden, bevor Sie den Mäher wieder in Betrieb nehmen und weiter benutzen.
3. **Falls der Mäher abnormal zu vibrieren beginnt oder Sie etwas Ungewöhnliches bemerken, befolgen Sie sofort die folgenden Schritte:**
  - Stellen Sie den Mäher ab, lassen Sie den Schalthebel los, und warten Sie, bis das Messer zum vollständigen Stillstand kommt.
  - Entfernen Sie den Sperrschlüssel und den Akku.
  - Überprüfen Sie das Gerät auf Schäden, und ersetzen oder reparieren Sie beschädigte Teile.
  - Prüfen Sie, ob lose Teile vorhanden sind, und ziehen Sie sie an.
4. **Betreiben Sie den Mäher niemals mit defekten Schutzklappen oder Abschirmungen oder ohne Sicherheitsvorrichtungen, wie z. B. Abweiser und/oder Graskorb.**
5. **Betreiben Sie den Mäher nur bei Tageslicht oder hellem Kunstlicht.**
6. **Schalten Sie den Mäher gemäß den Anweisungen vorsichtig ein, während Ihre Füße einen ausreichenden Sicherheitsabstand von dem (den) Messer(n) haben.**
7. **Hüten Sie sich vor Fuß- und Handverletzungen durch die Mähermesser.**
8. **Halten Sie das (die) Messer an, wenn der Mäher zum Transportieren gekippt werden muss, wenn andere Flächen als Rasen überquert werden müssen, und wenn der Mäher zu und vom Arbeitsbereich transportiert werden muss.**
9. **Neigen Sie den Mäher nicht, wenn Sie den Motor einschalten, außer wenn der Mäher zum Starten geneigt werden muss. Neigen Sie den Mäher in diesem Fall nicht mehr als absolut notwendig, und heben Sie nur den vom Bediener abgewandten Teil an. Achten Sie stets darauf, dass sich beide Hände an der Arbeitsposition befinden, bevor Sie den Mäher wieder auf den Boden stellen.**
10. **Halten Sie Ihre Hände oder Füße nicht in die Nähe von rotierenden Teilen oder darunter. Bleiben Sie stets von der Auswurföffnung fern.**
11. **Halten Sie den Bügelgriff stets mit festem Griff.**
12. **Fassen Sie nicht die freiliegenden Schneidmesser oder die Schneidkanten an, wenn Sie den Mäher anheben oder halten.**
13. **Halten Sie Hände und Füße von den rotierenden Messern fern. Vorsicht - Die Messer drehen sich nach dem Ausschalten des Mähers noch weiter.**
14. **Versuchen Sie niemals, Einstellungen der Schnitthöhe bei laufendem Mäher durchzuführen, wenn der Mäher eine Funktion zum Einstellen der Schnitthöhe besitzt.**
15. **Lassen Sie den Schalthebel los, und warten Sie, bis das Messer zum Stillstand gekommen ist, bevor Sie Einfahrten, Gehwege, Straßen und schotterbedeckte Flächen überqueren. Ziehen Sie den Sperrschlüssel auch ab, wenn Sie den Mäher verlassen, wenn Sie sich bücken, um etwas aufzuheben oder aus dem Weg zu räumen, oder in irgendeiner anderen Situation, bei der Sie von Ihrer Arbeit abgelenkt werden könnten.**
16. **Starten Sie den Mäher nicht, wenn Sie vor der Auswurföffnung stehen.**
17. **Richten Sie den Materialauswurf niemals auf Personen. Vermeiden Sie Auswerfen von Material gegen eine Wand oder eine Behinderung. Das Material könnte auf den Bediener zurückprallen. Halten Sie das Messer an, wenn Sie Schotterflächen überqueren.**
18. **Ziehen Sie den Mäher nicht rückwärts, wenn dies nicht unbedingt notwendig ist. Wenn Sie gezwungen sind, den Mäher von einem Zaun oder einer ähnlichen Behinderung zurückzuziehen, schauen Sie nach unten und hinten, bevor und während Sie sich rückwärts bewegen.**
19. **Stellen Sie den Motor ab, und warten Sie, bis das Messer zu einem vollständigen Stillstand kommt, bevor Sie den Grasfänger entfernen. Beachten Sie, dass die Messer nach dem Ausschalten nachlaufen.**
20. **Wenn Sie die Maschine auf schlammigem Boden, auf einem nassen Hang oder an einem schlüpfrigen Ort benutzen, achten Sie auf Ihren Stand.**
21. **Vermeiden Sie Arbeiten in ungünstiger Umgebung, wo mit erhöhter Benutzerermüdung zu rechnen ist.**
22. **Benutzen Sie die Maschine nicht bei schlechtem Wetter, wo die Sichtverhältnisse**

- eingeschränkt sind.** Anderenfalls kann es zu einem Sturz oder falschem Betrieb wegen schlechter Sichtverhältnisse kommen.
23. **Tauchen Sie die Maschine nicht in einen Tümpel ein.**
  24. **Wenn nasse Blätter oder Schmutz aufgrund von Regen an der Saugöffnung (Belüftungsfenster) haften, entfernen Sie diese.**
  25. **Benutzen Sie die Maschine nicht im Schnee.**
  26. **Falls das gemähte Gras nass ist, ist die Wahrscheinlichkeit groß, dass es die Innenseite der Maschine verstopft. Überprüfen Sie den Zustand der Maschine regelmäßig, und entfernen Sie bei Bedarf das anhaftende Gras.**
  27. **Achten Sie beim Betreiben der Maschine auf Rohrleitungen und Kabel.**

#### **Wartung und Lagerung**

1. **Überprüfen und warten Sie den Mäher regelmäßig.**
2. **Achten Sie auf festen Sitz aller Muttern, Bolzen und Schrauben, um sicherzugehen, dass sich das Gerät in einwandfreiem Arbeitszustand befindet.**
3. **Überprüfen Sie den Graskorb oft auf Verschleiß oder Verschlechterung. Vergewissern Sie sich vor der Lagerung stets, dass der Graskorb leer ist. Tauschen Sie einen verschlissenen Graskorb zur Sicherheit gegen ein neues Original-Ersatzteil aus.**
4. **Verwenden Sie nur die in dieser Anleitung angegebenen Originalmesser des Herstellers.**
5. **Lassen Sie während der Einstellung des Mähers Vorsicht walten, um Einklemmen der Finger zwischen den beweglichen Messern und den feststehenden Teilen des Mähers zu verhüten.**
6. **Überprüfen Sie die Messerbefestigungsschraube in regelmäßigen Abständen auf festen Sitz.**
7. **Lassen Sie den Mäher vor der Lagerung stets abkühlen.**
8. **Wenn Sie die Messer warten, bedenken Sie, dass sich die Messer immer noch bewegen können, selbst wenn die Stromquelle abgeschaltet ist.**
9. **Versuchen Sie niemals, Sicherheitsvorrichtungen zu entfernen oder zu manipulieren. Überprüfen Sie regelmäßig ihre ordnungsgemäße Funktion. Unterlassen Sie jegliche Beeinträchtigung der beabsichtigten Funktion einer Sicherheitsvorrichtung oder eine Verringerung des von einer Sicherheitsvorrichtung bereitgestellten Schutzes.**
10. **Lassen Sie die Maschine nicht unbeaufsichtigt im Freien bei Regen stehen.**
11. **Waschen Sie die Maschine nicht mit Hochdruck-Wasserstrahl.**
12. **Wenn Sie die Maschine waschen, entfernen Sie unbedingt den Akku und den Sperrschlüssel, schließen Sie die Akkuabdeckung, und gießen Sie Wasser in Richtung der Unterseite der Maschine, an der das Messer angebracht ist.**

13. **Lagern Sie die Maschine nicht an einem Ort, der direktem Sonnenlicht und Regen ausgesetzt ist, sondern an einem Ort, an dem es nicht heiß oder feucht wird.**
14. **Führen Sie Inspektions- oder Wartungsarbeiten an einem Ort durch, wo Regen vermieden werden kann.**
15. **Nachdem Sie die Maschine benutzt haben, entfernen Sie den anhaftenden Schmutz, und lassen Sie die Maschine vor der Lagerung vollständig trocknen. Je nach Jahreszeit oder Gebiet besteht die Gefahr einer Funktionsstörung durch Gefrieren.**

#### **Sicherheit der Elektrik und des Akkus**

1. **Versuchen Sie nicht, den (die) Akku(s) zu öffnen oder zu verstümmeln.** Freigesetzter Elektrolyt ist korrosiv und kann Schäden an Augen oder Haut verursachen. Falls er verschluckt wird, kann er giftig sein.
2. **Laden Sie den Akku nicht im Regen oder an nassen Orten.**
3. **Laden Sie den Akku nicht im Freien.**
4. **Fassen Sie das Ladegerät, einschließlich des Ladegerätesteckers und der Ladegeräteanschlüsse, nicht mit nassen Händen an.**
5. **Tauschen Sie den Akku nicht im Regen aus.**
6. **Vermeiden Sie Benetzen der Akkukontakte mit einer Flüssigkeit, wie z. B. Wasser, oder Untertauchen des Akkus. Lassen Sie den Akku nicht im Regen stehen, und unterlassen Sie Laden, Benutzen oder Lagern des Akkus an einem feuchten oder nassen Ort.** Falls die Kontakte nass werden, oder eine Flüssigkeit in den Akku eindringt, kann der Akku kurzgeschlossen werden, und es besteht Überbildungs-, Brand- oder Explosionsgefahr.
7. **Nachdem Sie den Akku von der Maschine oder vom Ladegerät entfernt haben, bringen Sie unbedingt die Akkuabdeckung am Akku an, und lagern Sie ihn an einem trockenen Ort.**
8. **Tauschen Sie den Akku nicht mit nassen Händen aus.**
9. **Vermeiden Sie gefährliche Umgebungen. Benutzen Sie die Maschine nicht an feuchten oder nassen Orten, und setzen Sie sie auch keinem Regen aus.** Wasser, das in die Maschine eindringt, erhöht die Stromschlaggefahr.
10. **Falls der Akku nass wird, lassen Sie das eingedrungene Wasser ab, und wischen Sie ihn dann mit einem trockenen Tuch ab. Lassen Sie den Akku an einem trockenen Ort vollkommen trocknen, bevor Sie ihn benutzen.**

## **DIESE ANWEISUNGEN AUFBEWAHREN.**

**⚠️ WARNUNG:** Lassen Sie sich **NICHT** durch **Bequemlichkeit oder Vertrautheit mit dem Produkt** (durch wiederholten Gebrauch erworben) von der strikten Einhaltung der Sicherheitsregeln für das vorliegende Produkt abhalten. **MISSBRAUCH** oder **Missachtung der Sicherheitsvorschriften** in dieser Anleitung können schwere Verletzungen verursachen.

## Wichtige Sicherheitsanweisungen für Akku

1. **Lesen Sie vor der Benutzung des Akkus alle Anweisungen und Warnhinweise, die an (1) Ladegerät, (2) Akku und (3) Akkuwerkzeug angebracht sind.**
2. **Unterlassen Sie Zerlegen oder Manipulieren des Akkus.** Es kann sonst zu einem Brand, übermäßiger Hitzeentwicklung oder einer Explosion kommen.
3. **Falls die Betriebszeit beträchtlich kürzer geworden ist, stellen Sie den Betrieb sofort ein.** Anderenfalls besteht die Gefahr von Überhitzung, möglichen Verbrennungen und sogar einer Explosion.
4. **Falls Elektrolyt in Ihre Augen gelangt, waschen Sie sie mit sauberem Wasser aus, und begeben Sie sich unverzüglich in ärztliche Behandlung.** Anderenfalls können Sie Ihre Sehkraft verlieren.
5. **Der Akku darf nicht kurzgeschlossen werden:**
  - (1) **Die Kontakte dürfen nicht mit leitfähigem Material berührt werden.**
  - (2) **Lagern Sie den Akku nicht in einem Behälter zusammen mit anderen Metallgegenständen, wie z. B. Nägel, Münzen usw.**
  - (3) **Setzen Sie den Akku weder Wasser noch Regen aus.**

Ein Kurzschluss des Akkus verursacht starken Stromfluss, der Überhitzung, mögliche Verbrennungen und einen Defekt zur Folge haben kann.

6. **Lagern und benutzen Sie das Werkzeug und den Akku nicht an Orten, an denen die Temperatur 50 °C erreichen oder überschreiten kann.**
7. **Versuchen Sie niemals, den Akku zu verbrennen, selbst wenn er stark beschädigt oder vollkommen verbraucht ist. Der Akku kann im Feuer explodieren.**
8. **Unterlassen Sie Nageln, Schneiden, Zerquetschen, Werfen, Fallenlassen des Akkus oder Schlagen des Akkus mit einem harten Gegenstand.** Eine solche Handlung kann zu einem Brand, übermäßiger Hitzeentwicklung oder einer Explosion führen.
9. **Benutzen Sie keine beschädigten Akkus.**
10. **Die enthaltenen Lithium-Ionen-Akkus unterliegen den Anforderungen der Gefahrgut-Gesetzgebung.**

Für kommerzielle Transporte, z. B. durch Dritte oder Spediteure, müssen besondere Anforderungen zu Verpackung und Etikettierung

beachtet werden.

Zur Vorbereitung des zu transportierenden Artikels ist eine Beratung durch einen Experten für Gefahrgut erforderlich. Bitte beachten Sie möglicherweise ausführlichere nationale Vorschriften. Überkleben oder verdecken Sie offene Kontakte, und verpacken Sie den Akku so, dass er sich in der Verpackung nicht umher bewegen kann.

11. **Entfernen Sie den Akku zum Entsorgen vom Werkzeug, und entsorgen Sie ihn an einem sicheren Ort. Befolgen Sie die örtlichen Vorschriften bezüglich der Entsorgung von Akkus.**
12. **Verwenden Sie die Akkus nur mit den von Makita angegebenen Produkten.** Das Einsetzen der Akkus in nicht konforme Produkte kann zu einem Brand, übermäßiger Hitzebildung, einer Explosion oder Auslaufen von Elektrolyt führen.
13. **Soll das Werkzeug längere Zeit nicht benutzt werden, muss der Akku vom Werkzeug entfernt werden.**
14. **Bei und nach dem Gebrauch kann der Akku heiß werden, was Verbrennungen oder Niedertemperaturverbrennungen verursachen kann. Beachten Sie die Handhabung von heißen Akkus.**
15. **Berühren Sie nicht den Anschlusskontakt des Werkzeugs unmittelbar nach dem Gebrauch, da er heiß genug werden kann, um Verbrennungen zu verursachen.**
16. **Achten Sie darauf, dass sich keine Späne, Staub oder Schmutz in den Anschlusskontakten, Löchern und Nuten des Akkus absetzen.** Es könnte sonst zu Erhitzung, Brandauslösung, Bersten und Funktionsstörungen des Werkzeugs oder des Akkus kommen, was zu Verbrennungen oder Personenschäden führen kann.
17. **Wenn das Werkzeug den Einsatz in der Nähe einer Hochspannungs-Stromleitung nicht unterstützt, benutzen Sie den Akku nicht in der Nähe einer Hochspannungs-Stromleitung.** Dies kann zu einer Funktionsstörung oder Betriebsstörung des Werkzeugs oder des Akkus führen.
18. **Halten Sie die Batterie von Kindern fern.**

## DIESE ANWEISUNGEN AUFBEWAHREN.

**⚠️ VORSICHT:** Verwenden Sie nur **Original-Makita-Akkus**. Die Verwendung von Nicht-Original-Makita-Akkus oder von Akkus, die abgeändert worden sind, kann zum Bersten des Akkus und daraus resultierenden Bränden, Personenschäden und Beschädigung führen. Außerdem wird dadurch die Makita-Garantie für das Makita-Werkzeug und -Ladegerät ungültig.



**ANMERKUNG:** Makita haftet nicht für Unfälle, die durch das Benutzen von nicht originalen oder modifizierten Makita-Akkus entstehen. Original-Makita-Akkus wurden in Übereinstimmung mit den anwendbaren Gesetzen und Sicherheitsstandards streng auf ihre Kompatibilität mit Makita-Werkzeugen und -Ladegeräten geprüft.

## Hinweise zur Aufrechterhaltung der maximalen

### Akku-Nutzungsdauer

1. Laden Sie den Akku, bevor er vollkommen erschöpft ist. Schalten Sie das Werkzeug stets aus, und laden Sie den Akku, wenn Sie ein Nachlassen der Werkzeugeistung feststellen.
2. Unterlassen Sie erneutes Laden eines voll aufgeladenen Akkus. Überladen führt zu einer Verkürzung der Nutzungsdauer des Akkus.
3. Laden Sie den Akku bei Raumtemperatur zwischen 10 – 40 °C. Lassen Sie einen heißen Akku abkühlen, bevor Sie ihn laden.
4. Wenn Sie den Akku nicht benutzen, nehmen Sie ihn vom Werkzeug oder Ladegerät ab.
5. Der Akku muss geladen werden, wenn er lange Zeit (länger als sechs Monate) nicht benutzt wird.

## MONTAGE

**⚠️ WARNUNG:** Vergewissern Sie sich stets, dass der Sperrschlüssel abgezogen ist und die Akkus entfernt worden sind, bevor Sie irgendwelche Arbeiten am Mäher ausführen. Wird das Entfernen des Sperrschlüssels und das Abnehmen der Akkus unterlassen, kann es zu schweren Personenschäden durch versehentliches Anlaufen kommen.

**⚠️ WARNUNG:** Starten Sie den Mäher niemals, wenn er nicht vollständig zusammengebaut ist. Der Betrieb der Maschine in teilweise zusammengebautem Zustand kann zu schweren Personenschäden durch versehentliches Anlaufen führen.

### Montieren der Akkuabdeckung

**⚠️ WARNUNG:** Warten Sie mit dem Einstecken des Sperrschlüssels und dem Einsetzen der Akkus, bis die Akkuabdeckung montiert worden ist. Anderenfalls kann es zu einer schweren Verletzung kommen.

Montieren Sie die Akkuabdeckung vollständig vor dem Betrieb. Die Akkuabdeckung schützt den Mäher und die Akkus vor Schlamm, Schmutz und Wasser.

1. Bringen Sie die Akkuabdeckung so an, dass die Vorsprünge am Mäher auf die Löcher in der Akkuabdeckung ausgerichtet sind.  
▶ **Abb.1:** 1. Vorsprung 2. Loch 3. Akkuabdeckung

2. Drücken Sie die Akkuabdeckung mit beiden Händen in der Mitte an.

▶ **Abb.2**

3. Vergewissern Sie sich vor der ersten Inbetriebnahme, dass der Drehpunkt der Akkuabdeckung korrekt montiert ist. Bei korrekter Montage öffnet sich die Akkuabdeckung erst, wenn der Akkuabdeckungs-Verriegelungshebel betätigt wird.

▶ **Abb.3:** 1. Drehpunkt

2. Akkuabdeckungs-Verriegelungshebel

### Montieren des Bügelgriffs

**ANMERKUNG:** Positionieren Sie die Kabel beim Montieren der Griffstangen so, dass sie nicht durch irgendwelche Teile zwischen den Griffstangen erfasst werden. Falls das Kabel beschädigt wird, funktioniert der Mäherschalter eventuell nicht.

1. Schieben Sie beide Enden des unteren Bügelgriffs in die Führungsnuten des Mähers, und ziehen Sie dann die Klemmschrauben vollständig an.

▶ **Abb.4:** 1. Klemmschraube 2. Unterer Bügelgriff

2. Richten Sie die Schraubenbohrungen des oberen und unteren Bügelgriffs aufeinander aus. Sichern Sie die Bügelgriffe mit den Klemmschrauben und Muttern.

▶ **Abb.5:** 1. Knebelmutter 2. Klemmschraube

**HINWEIS:** Halten Sie den oberen Bügelgriff gut fest, damit er Ihnen nicht aus der Hand rutscht.

3. Bringen Sie die Halter am Bügelgriff an. Führen Sie das Netzkabel so, wie in der Abbildung gezeigt.

▶ **Abb.6:** 1. Halter

### Entfernen des Mulchstopfens

#### Sonderzubehör

1. Öffnen Sie die Rückabdeckung.

▶ **Abb.7:** 1. Rückabdeckung

2. Halten Sie den Mulchstopfen am Handgriff, und ziehen Sie ihn dann aus der Mähereinheit heraus, wie in der Abbildung gezeigt.

▶ **Abb.8:** 1. Mulchstopfen 2. Handgriff

### Montieren des Graskorbs

Um den Graskorb zusammenzubauen, führen Sie die folgenden Schritte durch.

1. Führen Sie den Rahmen in einem leichten Winkel in die Löcher des Graskorbs ein, während Sie den Clip wie in der Abbildung gezeigt halten.

▶ **Abb.9:** 1. Clip 2. Rahmen 3. Loch

2. Öffnen Sie alle Clips und bringen Sie sie sicher am Rahmen an.

▶ **Abb.10:** 1. Clips

3. Ziehen Sie die beiden Schrauben mit dem im Lieferumfang der Maschine enthaltenen Inbusschlüssel an, um sie zu sichern.

▶ **Abb.11:** 1. Schrauben 2. Inbusschlüssel

## Montieren des Graskorbs

1. Öffnen Sie die Rückabdeckung.  
► **Abb.12:** 1. Rückabdeckung
2. Hängen Sie den Graskorb an die Stange der Mähereinheit, wie in der Abbildung gezeigt.  
► **Abb.13:** 1. Aufhänger 2. Stange 3. Graskorb

## Anbringen des Mulchstopfens

### Sonderzubehör

1. Öffnen Sie die Rückabdeckung, und nehmen Sie dann den Graskorb ab.  
► **Abb.14:** 1. Rückabdeckung 2. Graskorb
2. Halten Sie den Mulchstopfen am Handgriff, und bringen Sie ihn dann an der Mähereinheit an, wie in der Abbildung gezeigt.  
► **Abb.15:** 1. Mulchstopfen 2. Handgriff

## FUNKTIONSBE-SCHREIBUNG

### Anbringen und Abnehmen des Akkus

**⚠ VORSICHT:** Schalten Sie die Maschine stets aus, bevor Sie die Akkus anbringen oder abnehmen.

**⚠ VORSICHT:** Verriegeln Sie unbedingt die Akkuabdeckung vor Gebrauch. Anderenfalls können Schlamm, Schmutz oder Wasser eine Beschädigung des Produkts oder der Akkus verursachen.

**⚠ VORSICHT:** Schieben Sie die Akkus stets bis zum Anschlag ein, bis die rote Anzeige nicht mehr sichtbar ist. Anderenfalls kann er versehentlich aus der Maschine herausfallen und Sie oder umstehende Personen verletzen.

**⚠ VORSICHT:** Unterlassen Sie Gewaltanwendung beim Anbringen der Akkus. Falls die Akkus nicht reibungslos hineingleiten, sind sie nicht richtig ausgerichtet.

**HINWEIS:** Die Maschine funktioniert nicht mit nur einem Akku.

### Zum Einsetzen der Akkus:

1. Ziehen Sie den Akkuabdeckungs-Verriegelungshebel auf sich zu, und öffnen Sie die Akkuabdeckung.  
► **Abb.16:** 1. Akkuabdeckung  
2. Akkuabdeckungs-Verriegelungshebel
2. Richten Sie die Feder am Akku auf den Schlitz am Mäher aus, und schieben Sie dann den Akku hinein, bis er mit einem leisen Klicken einrastet.  
► **Abb.17:** 1. Akku
3. Führen Sie den Sperrschlüssel bis zum Anschlag

in den in der Abbildung gezeigten Schlitz ein.

► **Abb.18:** 1. Sperrschlüssel

4. Schließen Sie die Akkuabdeckung, und drücken Sie sie an, bis sie mit dem Verriegelungshebel einrastet.

### Zum Abnehmen der Akkus vom Mäher:

1. Ziehen Sie den Akkuabdeckungs-Verriegelungshebel auf sich zu, und öffnen Sie die Akkuabdeckung.
2. Ziehen Sie die Akkus aus dem Mäher heraus, während Sie den Knopf an der Vorderseite des jeweiligen Akkus verschieben.
3. Ziehen Sie den Sperrschlüssel heraus.
4. Schließen Sie die Akkuabdeckung.

## Maschinen-/Akku-Schutzsystem

Die Maschine ist mit einem Maschinen-/Akku-Schutzsystem ausgestattet. Dieses System schaltet die Stromversorgung des Motors automatisch ab, um die Lebensdauer von Werkzeug und Akku zu verlängern. Die Maschine bleibt während des Betriebs automatisch stehen, wenn die Maschine oder der Akku einer der folgenden Bedingungen unterliegt:

### Überlastschutz

Wird die Maschine in einer Weise betrieben, die eine ungewöhnlich hohe Stromaufnahme bewirkt, bleibt die Maschine ohne jegliche Anzeige automatisch stehen. Schalten Sie in dieser Situation die Maschine aus, und brechen Sie die Anwendung ab, die eine Überlastung der Maschine verursacht hat. Schalten Sie dann die Maschine wieder ein, um sie neu zu starten.

### Überhitzungsschutz

Wenn die Maschine überhitzt wird, bleibt sie automatisch stehen. Lassen Sie die Maschine abkühlen, bevor Sie sie wieder einschalten.

### Überentladungsschutz

Wenn die Akkukapazität niedrig wird, bleibt die Maschine automatisch stehen. Falls das Produkt trotz Betätigung der Schalter nicht funktioniert, entfernen Sie die Akkus von der Maschine, und laden Sie sie auf.

## Anzeigen der Akku-Restkapazität

► **Abb.19:** 1. Anzeige Akkuladestatus

Wenn die Akku-Restkapazität niedrig wird, blinkt die Akku-Anzeige auf der Seite des betreffenden Akkus. Bei weiterer Benutzung bleibt die Maschine stehen, und die Akku-Anzeige leuchtet auf. Laden Sie in dieser Situation den Akku auf.

## Anzeigen der Akku-Restkapazität

### Nur für Akkus mit Anzeige

Drücken Sie die Prüftaste am Akku, um die Akku-Restkapazität anzuzeigen. Die Anzeigelampen leuchten wenige Sekunden lang auf.

► **Abb.20:** 1. Anzeigelampen 2. Prüftaste



| Anzeigelampen |     |          | Restkapazität   |
|---------------|-----|----------|---|
| Erleuchtet    | Aus | Blinkend |   |
| ■             | □   | ▧        | 75% bis 100%  |
| ■ ■ ■ ■       |     |          | 50% bis 75%   |
| ■ ■ □ □       |     |          | 25% bis 50%   |
| ■ □ □ □       |     |          | 0% bis 25%  |
| ▧ □ □ □       |     |          | Den Akku aufladen.                                      |
| ■ ■ □ □       | ↑ ↓ | □ □ ■ ■  | Möglicherweise liegt eine Funktionsstörung im Akku vor. |

**HINWEIS:** Abhängig von den Benutzungsbedingungen und der Umgebungstemperatur kann die Anzeige geringfügig von der tatsächlichen Kapazität abweichen.

**HINWEIS:** Die erste (äußerste linke) Anzeigelampe blinkt, wenn das Akku-Schutzsystem aktiv ist.

## Schalterfunktion

**⚠ WARNUNG:** Vergewissern Sie sich vor dem Einsetzen der Akkus stets, dass der Schalthebel ordnungsgemäß funktioniert und beim Loslassen in die Ausgangsstellung zurückkehrt. Der Betrieb einer Maschine mit einem fehlerhaften Schalter kann zum Verlust der Kontrolle und zu schweren Personenschäden führen.

**HINWEIS:** Der Mäher startet nicht, ohne den Schaltknopf zu drücken, selbst wenn der Schalthebel betätigt wird.

**HINWEIS:** Der Mäher startet möglicherweise nicht aufgrund der Überlastung, wenn Sie versuchen, langes oder dichtes Gras in einem Durchgang zu mähen. Erhöhen Sie in diesem Fall die Mähhöhe.

Dieser Mäher ist mit einem Verriegelungsschalter und Griffschalter ausgestattet. Falls Sie etwas Ungewöhnliches bei einem dieser Schalter bemerken, stoppen Sie den Betrieb unverzüglich, und lassen Sie die Schalter von der nächsten autorisierten Makita-Kundendienststelle überprüfen.

1. Setzen Sie die Akkus ein. Stecken Sie den Sperrschlüssel in den Verriegelungsschalter, und schließen Sie dann die Akkuabdeckung.

► **Abb.21:** 1. Akku 2. Sperrschlüssel

2. Drücken Sie den Schaltknopf, und halten Sie ihn gedrückt.

3. Fassen Sie den oberen Bügelgriff, und betätigen Sie den Schalthebel.

► **Abb.22:** 1. Schaltknopf 2. Schalthebel

4. Lassen Sie den Schaltknopf los, sobald der Motor anläuft. Der Mäher läuft solange weiter, bis Sie den

Schalthebel loslassen.

5. Lassen Sie den Schalthebel los, um den Motor zu stoppen.

## Einstellen der Mähhöhe

**⚠ WARNUNG:** Halten Sie niemals Ihre Hand oder Ihren Fuß unter die Mähereinheit, wenn Sie die Mähhöhe einstellen.

**⚠ WARNUNG:** Vergewissern Sie sich stets, dass der Hebel einwandfrei in der Führungsnut sitzt, bevor Sie den Mäher in Betrieb nehmen.

Die Mähhöhe kann innerhalb des Bereichs zwischen 20 mm und 75 mm eingestellt werden.

1. Entfernen Sie den Sperrschlüssel.

2. Ziehen Sie den Mähhöhen-Einstellhebel zur Außenseite der Mähereinheit, und stellen Sie ihn auf die gewünschte Mähhöhe ein.

► **Abb.23:** 1. Mähhöhen-Einstellhebel

**HINWEIS:** Die Zahlen der Mähhöhe dienen lediglich als Orientierungshilfe. Je nach den Bedingungen des Rasens oder des Bodens kann die tatsächliche Rasenhöhe geringfügig von der eingestellten Höhe abweichen.

**HINWEIS:** Machen Sie einen Mähtest an einer unauffälligeren Stelle des Rasens, um die gewünschte Höhe zu erhalten.

## Grasfüllstandsanzeige

► **Abb.24:** 1. Grasfüllstandsanzeige

Die Grasfüllstandsanzeige zeigt die Menge des gemähten Grasses an.

- Wenn der Graskorb nicht voll ist, schwebt die Anzeige während des Mähens.
- Wenn der Graskorb voll ist, schwebt die Anzeige während des Mähens nicht. Brechen Sie in diesem Fall die Mäharbeit sofort ab, und leeren Sie den Korb. Nachdem Sie den Korb geleert haben, reinigen Sie ihn, so dass sein Maschenwerk die Luft ventiliert.

**HINWEIS:** Diese Anzeige ist eine grobe Orientierungshilfe. Je nach den Bedingungen im Korb funktioniert diese Anzeige u. U. nicht richtig.

## Verwendung des Mulchstopfens

### Sonderzubehör

Der Mulchstopfen ermöglicht es Ihnen, das abgeschnittene Gras auf den Boden zurückzuführen, ohne es im Graskorb aufzusammeln. Wenn Sie die Maschine mit dem Mulchstopfen betreiben, nehmen Sie unbedingt den Graskorb ab.

**ANMERKUNG:** Wenn Sie die Maschine mit dem Mulchstopfen benutzen, vergewissern Sie sich, dass die Gesamtlänge des Grasses nach dem Mähen 30 mm oder mehr, und die Schnittlänge 15 mm oder weniger beträgt.

► **Abb.25:** (1) 30 mm oder mehr (2) 15 mm oder weniger

# BETRIEB

## Mähen

**⚠️ WARNUNG:** Bevor Sie mit dem Mähen beginnen, entfernen Sie Äste und Steine vom Mähbereich. Beseitigen Sie vorher auch jegliches Unkraut im Mähbereich.

**⚠️ WARNUNG:** Tragen Sie bei der Benutzung des Mähers stets eine Schutzbrille mit Seitenschützern.

**⚠️ VORSICHT:** Falls das gemähte Gras oder Fremdkörper die Innenseite der Mähereinheit blockieren, entfernen Sie unbedingt den Sperrschlüssel und die Akkus, und ziehen Sie Handschuhe an, bevor Sie das Gras oder den Fremdkörper entfernen.

**ANMERKUNG:** Verwenden Sie diese Maschine nur zum Mähen von Rasen. Mähen Sie kein Unkraut mit dieser Maschine.

### ► Abb.26

Halten Sie den Bügelgriff beim Mähen mit beiden Händen fest.

Die Richtlinie der Mähgeschwindigkeit liegt bei ungefähr 1 Meter pro 4 Sekunden.

### ► Abb.27

Die Außenkanten der Vorderräder sind Richtlinien für die Mähbreite. Mähen Sie in Streifen, indem Sie die Außenkanten der Vorderräder als Richtlinie verwenden. Überlappen Sie den vorhergehenden Streifen um eine Hälfte bis ein Drittel, um den Rasen gleichmäßig zu mähen.

► **Abb.28:** 1. Mähbreite 2. Überlappungsbereich 3. Außenkante

Wechseln Sie jedes Mal die Mährichtung, um zu verhindern, dass sich eine Grasmaserung nur in einer Richtung bildet.

### ► Abb.29

Überprüfen Sie die Höhe des gemähten Grasses im Graskorb regelmäßig. Entleeren Sie den Graskorb, bevor er ganz voll wird. Stellen Sie vor jeder regelmäßigen Kontrolle den Mäher ab, und entfernen Sie Sperrschlüssel und Akkus.

**ANMERKUNG:** Die Benutzung des Mähers mit vollem Graskorb verhindert eine reibungslose Messerdrehung und übt eine zusätzliche Last auf den Motor aus, die zu einem Ausfall führen kann.

## Mähen eines Rasens mit hohem Gras

Versuchen Sie nicht, hohes Gras in einem Durchgang zu mähen. Mähen Sie statt dessen den Rasen in mehreren Durchgängen. Lassen Sie einen oder zwei Tage zwischen den Mähdurchgängen offen, bis der Rasen gleichmäßig kurz wird.

**HINWEIS:** Der Versuch, langes Gras in einem Durchgang auf eine kurze Länge zu mähen, kann dazu führen, dass das Gras abstirbt. Außerdem kann das gemähte Gras die Innenseite der Mähereinheit blockieren.

## Leeren des Graskorbs

**⚠️ WARNUNG:** Um die Unfallgefahr zu reduzieren, sollten Sie den Graskorb regelmäßig auf Beschädigung oder Abschwächung überprüfen. Tauschen Sie den Graskorb nötigenfalls aus.

1. Lassen Sie den Schalthebel los.
2. Entfernen Sie den Sperrschlüssel.
3. Öffnen Sie die Rückabdeckung, und nehmen Sie den Graskorb an seinem Griff heraus.  
► **Abb.30:** 1. Rückabdeckung 2. Griff
4. Leeren Sie den Graskorb.

# WARTUNG

**⚠️ WARNUNG:** Vergewissern Sie sich stets, dass Sperrschlüssel und Akkus vom Mäher entfernt worden sind, bevor Sie den Mäher lagern oder tragen oder eine Inspektion oder Wartung durchführen.

**⚠️ WARNUNG:** Ziehen Sie stets den Sperrschlüssel ab, wenn Sie den Mäher nicht benutzen. Bewahren Sie den Sperrschlüssel an einem sicheren Ort außer Reichweite von Kindern auf.

**⚠️ WARNUNG:** Tragen Sie Handschuhe zur Durchführung von Inspektions- oder Wartungsarbeiten.

**⚠️ WARNUNG:** Tragen Sie bei der Durchführung von Inspektions- oder Wartungsarbeiten stets eine Schutzbrille mit Seitenschützern.

**ANMERKUNG:** Verwenden Sie auf keinen Fall Benzin, Waschbenzin, Verdünnern, Alkohol oder dergleichen. Solche Mittel können Verfärbung, Verformung oder Rissbildung verursachen.

Um die SICHERHEIT und ZUVERLÄSSIGKEIT dieses Produkts zu gewährleisten, sollten Reparaturen und andere Wartungs- oder Einstellarbeiten nur von Makita-Vertragswerkstätten oder Makita-Kundendienstzentren unter ausschließlicher Verwendung von Makita-Originalersatzteilen ausgeführt werden.

## Wartung

1. Entfernen Sie den Sperrschlüssel. Bewahren Sie den Schlüssel an einem sicheren Ort außer Reichweite von Kindern auf.
2. Reinigen Sie den Mäher nur mit einem nassen Tuch. Unterlassen Sie Bespritzen oder Übergießen des Mähers mit Wasser während der Reinigung.
3. Kippen Sie den Mäher auf seine Seite, und

entfernen Sie Grasschnitzel, die sich auf der Unterseite des Mäherdecks angesammelt haben.

- Überprüfen Sie alle Muttern, Bolzen, Knöpfe, Schrauben, Befestigungsteile usw. auf festen Sitz.
- Überprüfen Sie die beweglichen Teile auf Beschädigung, Bruch und Verschleiß. Beschädigte oder fehlende Teile sind zu reparieren oder zu ersetzen.

## Lagerung

**⚠️ WARNUNG:** Halten Sie den Mäher zum Tragen oder Lagern nicht an den zusammengeklappten Griffstangen, sondern an seinem vorderen Griff. Werden die zusammengeklappten Griffstangen gehalten, kann es zu schweren Verletzungen oder einer Beschädigung des Mähers kommen.

Nehmen Sie die Akkus ab, und ziehen Sie den Sperrschlüssel ab, bevor Sie den Mäher lagern. Lagern Sie den Mäher an einem kühlen, trockenen und abschließbaren Ort. Lagern Sie Mäher und Ladegerät nicht an Orten, an denen die Temperatur 40 °C erreichen oder überschreiten kann.

► **Abb.31:** 1. Vorderer Griff 2. Hinterer Griff

1. Lösen Sie die Klemmschrauben, und ziehen Sie den unteren Bügelgriff zu beiden Seiten auseinander. Klappen Sie den Bügelgriff nach vorn herunter. Halten Sie dabei den unteren Bügelgriff sicher fest, damit er nicht auf die abgewandte Seite der Mähereinheit herunterfällt.

► **Abb.32:** 1. Klemmschraube 2. Unterer Bügelgriff

2. Lösen Sie die Knebelmutter, und schwenken Sie den oberen Bügelgriff nach hinten, während Sie beide Seiten auseinanderziehen.

► **Abb.33:** 1. Knebelmutter 2. Oberer Bügelgriff

3. Lagern Sie den Graskorb zwischen Bügelgriff und Mähereinheit.

► **Abb.34:** 1. Graskorb

**HINWEIS:** Halten Sie den Mäher beim Aufrichten in die Senkrechtstellung nicht am Bügelgriff, sondern an seinem vorderen Griff.

## Demontieren oder Montieren des Mähermessers

**⚠️ WARNUNG:** Entfernen Sie stets den Sperrschlüssel und die Akkus, bevor Sie das Messer demontieren oder montieren. Werden Sperrschlüssel und Akkus nicht entfernt, kann es zu schweren Verletzungen kommen.

**⚠️ WARNUNG:** Das Messer dreht sich nach dem Loslassen des Schalters noch einige Sekunden weiter. Warten Sie mit der Ausführung von Arbeiten, bis das Messer zu einem vollständigen Stillstand kommt.

**⚠️ WARNUNG:** Tragen Sie stets Handschuhe bei der Handhabung des Messers.

## Entfernen des Mähermessers

### Für DLM382

- Kippen Sie den Mäher auf seine Seite, so dass der Mähhöhen-Einstellhebel oben liegt.
- Um die Messerdrehung zu blockieren, stecken Sie einen Schraubendreher oder ein ähnliches Werkzeug in ein Loch an der Mähereinheit.
- Drehen Sie die Schraube mit dem Schraubenschlüssel entgegen dem Uhrzeigersinn.  
► **Abb.35:** 1. Mähermesser 2. Schraubendreher 3. Schraubenschlüssel
- Entfernen Sie Schraube und Messer in dieser Reihenfolge.  
► **Abb.36:** 1. Messerhalter 2. Mähermesser 3. Schraube

### Für DLM432

- Kippen Sie den Mäher auf seine Seite, so dass der Mähhöhen-Einstellhebel oben liegt.
- Um die Messerdrehung zu blockieren, stecken Sie einen Schraubendreher oder ein ähnliches Werkzeug in ein Loch an der Mähereinheit.
- Drehen Sie die Schraube mit dem Schraubenschlüssel entgegen dem Uhrzeigersinn.  
► **Abb.37:** 1. Mähermesser 2. Schraubendreher 3. Schraubenschlüssel
- Entfernen Sie Schraube, Außenflansch, Mähermesser und Innenflansch in dieser Reihenfolge.  
► **Abb.38:** 1. Innenflansch 2. Mähermesser 3. Außenflansch 4. Schraube

## Installieren des Mähermessers

Zum Montieren des Mähermessers wenden Sie das Demontageverfahren umgekehrt an.

**⚠️ WARNUNG:** Montieren Sie das Mähermesser sorgfältig. Das Messer hat eine Ober- und Unterseite. Richten Sie das Messer so aus, dass die Seite mit dem Drehrichtungspfeil außen liegt.

**⚠️ WARNUNG:** Ziehen Sie dann die Schraube zur Sicherung des Messers im Uhrzeigersinn fest.

**⚠️ WARNUNG:** Vergewissern Sie sich, dass das Mähermesser und alle Befestigungsteile korrekt montiert und sicher festgezogen sind.

**⚠️ WARNUNG:** Befolgen Sie beim Auswechseln der Messer stets die Anweisungen in dieser Anleitung.

# FEHLERSUCHE

Bevor Sie den Reparaturdienst anrufen, führen Sie zunächst Ihre eigene Inspektion durch. Falls Sie ein Problem finden, das nicht in der Anleitung erläutert wird, versuchen Sie nicht, das Werkzeug zu zerlegen. Wenden Sie sich stattdessen an autorisierte Makita-Kundendienstzentren, und achten Sie darauf, dass stets Makita-Ersatzteile für Reparaturen verwendet werden.

| Zustand der Unregelmäßigkeit   | Wahrscheinliche Ursache (Funktionsstörung)                                     | Abhilfemaßnahme   |
|--|--|---|
| Der Mäher startet nicht.   | Es sind nicht beide Akkus eingesetzt.  | Setzen Sie die geladenen Akkus ein.   |
|  | Akkustörung (Unterspannung)  | Laden Sie die Akkus auf. Falls Laden nichts nützt, tauschen Sie die Akkus aus.      |
|  | Der Sperrschlüssel ist nicht eingesteckt.                                      | Stecken Sie den Sperrschlüssel ein.   |
| Der Motor bleibt nach kurzer Zeit stehen.                                  | Der Ladestand der Akkus ist niedrig.   | Laden Sie die Akkus auf. Falls Laden nichts nützt, tauschen Sie die Akkus aus.      |
|  | Die Schnitthöhe ist zu niedrig.  | Vergrößern Sie die Schnitthöhe.   |
| Der Motor erreicht die Maximaldrehzahl nicht.                              | Die Akkus sind falsch eingesetzt.  | Setzen Sie die Akkus gemäß der Beschreibung in dieser Anleitung ein.                |
|  | Die Akkuleistung lässt nach.   | Laden Sie die Akkus auf. Falls Laden nichts nützt, tauschen Sie die Akkus aus.      |
|  | Das Antriebssystem funktioniert nicht korrekt.                                 | Wenden Sie sich bezüglich einer Reparatur an Ihr autorisiertes Kundendienstzentrum. |
| Das Mähermesser dreht sich nicht:<br>⇒ Stoppen Sie den Mäher unverzüglich! | Ein Fremdkörper, wie z. B. ein Ast, hat sich in der Nähe des Messers verklemt. | Entfernen Sie den Fremdkörper.  |
|  | Das Antriebssystem funktioniert nicht korrekt.                                 | Wenden Sie sich bezüglich einer Reparatur an Ihr autorisiertes Kundendienstzentrum. |
| Ungewöhnliche Vibration:<br>⇒ Stoppen Sie den Mäher unverzüglich!          | Das Messer ist unausgeglichen, übermäßig oder ungleichmäßig abgenutzt.         | Tauschen Sie das Messer aus.  |

## SONDERZUBEHÖR

**⚠ VORSICHT:** Die folgenden Zubehörteile oder Vorrichtungen werden für den Einsatz mit dem in dieser Anleitung beschriebenen Makita-Werkzeug empfohlen. Die Verwendung anderer Zubehörteile oder Vorrichtungen kann eine Verletzungsgefahr darstellen. Verwenden Sie Zubehörteile oder Vorrichtungen nur für ihren vorgesehenen Zweck.

Wenn Sie weitere Einzelheiten bezüglich dieser Zubehörteile benötigen, wenden Sie sich bitte an Ihre Makita-Kundendienststelle.

- Mähermesser
- Mulchstopfen
- Original-Makita-Akku und -Ladegerät

**HINWEIS:** Manche Teile in der Liste können als Standardzubehör im Werkzeugsatz enthalten sein. Sie können von Land zu Land unterschiedlich sein.

## DATI TECNICI

| Modello:   | DLM382                                 |   | DLM432  |  |
|--|--|---|---|--|
| Larghezza di taglio (diametro lama)                  | 380 mm                                 |   | 430 mm  |  |
| Velocità a vuoto                                     | 3.700 min <sup>-1</sup>                |   | 3.600 min <sup>-1</sup>   |  |
| Numero parte della lama di sostituzione per tosaerba | 191D41-2                               |   | 191D43-8  |  |
| Dimensioni (L x P x A)                               | durante il funzionamento               | L: da 1.380 mm a 1.410 mm<br>P: 450 mm<br>A: da 985 mm a 1.005 mm | L: Da 1.435 mm a 1.490 mm<br>P: 460 mm<br>A: Da 1.005 mm a 1.045 mm |  |
|  | quando è riposto (senza cestello erba) | 860 mm x 450 mm x 475 mm  | 865 mm x 460 mm x 475 mm  |  |
| Tensione nominale                                    | 36 V C.C.                              |   |   |  |
| Peso netto   | 15,5 - 16,5 kg                         |   | 16,0 - 16,9 kg  |  |

- A causa del nostro programma continuativo di ricerca e sviluppo, i dati tecnici sono soggetti a modifiche senza preavviso.
- I dati tecnici possono variare da nazione a nazione.
- Il valore del peso netto comprende la combinazione più leggera e quella più pesante dell'accessorio o degli accessori e della cartuccia o delle cartucce delle batterie che sono specificati nelle istruzioni per l'uso.

## Cartuccia della batteria e caricabatterie applicabili

|                          |   |
|--------------------------|---|
| Cartuccia della batteria | BL1830B / BL1840B / BL1850B / BL1860B                                 |
| Caricabatterie           | DC18RC / DC18RD / DC18RE / DC18SD / DC18SE / DC18SF / DC18SH / DC18WC |


- Alcune cartucce delle batterie e alcuni caricabatterie elencati sopra potrebbero non essere disponibili a seconda della propria area geografica di residenza.


**⚠AVVERTIMENTO:** Utilizzare solo le cartucce delle batterie e i caricabatterie elencati sopra. L'utilizzo di altre cartucce delle batterie e di altri caricabatterie potrebbe causare lesioni personali e/o un incendio.


**⚠AVVERTIMENTO:** Non utilizzare un alimentatore con cavo, ad esempio un adattatore per batterie o un gruppo di alimentazione portatile, insieme a questa macchina. Il cavo di alimentatori di questo tipo potrebbe interferire con il funzionamento e risultare in lesioni personali.


## Simboli

Le figure seguenti mostrano i simboli utilizzati per l'apparecchio. Accertarsi di comprenderne il significato prima dell'uso.


 Adottare cura e attenzione particolari.

 Leggere il manuale d'uso.

 Pericolo; fare attenzione agli oggetti scagliati.

 La distanza tra l'utensile e gli astanti deve essere di almeno 15 m.



 Non posizionare mai mani e piedi in prossimità della lama del tosaerba sotto il tosaerba. Le lame del tosaerba continuano a girare dopo lo spegnimento del motore.



Rimuovere la chiave di blocco prima di ispezionare, regolare, pulire, sottoporre a manutenzione, lasciare e riporre il tosaerba.



Avvertenza: scollegare la batteria prima della manutenzione.



Livello di potenza sonora garantita in base alla Direttiva rumore macchine all'aperto UE.



Livello di potenza sonora in base alla normativa sul controllo del rumore NSW australiana



Solo per le nazioni dell'EU  
A causa della presenza di componenti pericolosi nelle apparecchiature, i rifiuti di apparecchiature elettriche ed elettroniche, accumulatori e batterie potrebbero produrre un impatto negativo sull'ambiente e sulla salute umana.

Non smaltire elettrodomestici elettrici ed elettronici o batterie insieme ai rifiuti domestici!

In conformità alla direttiva europea sui rifiuti di apparecchiature elettriche ed elettroniche (RAEE), sugli accumulatori e le batterie, nonché sui rifiuti di accumulatori e batterie, e al suo adattamento alle normative nazionali, i rifiuti di apparecchiature elettriche ed elettroniche, batterie e accumulatori vanno conservati separatamente e conferiti a un punto di raccolta separato per i rifiuti comunali, operando in conformità alle normative per la protezione dell'ambiente.

Tale requisito viene indicato mediante il simbolo del bidone della spazzatura con ruote barrato apposto sull'apparecchio.

## Utilizzo previsto

La macchina è destinata alla tosatura di prati.

## Rumore

Livello tipico di rumore pesato A determinato in base allo standard EN IEC 62841-4-3:

| Modello | Livello di potenza sonora misurato ( $L_{WA}$ ): (dB(A)) | Livello di potenza sonora garantito ( $L_{WA}$ ): (dB(A)) |
|---------|--|---|
| DLM382  | 91   | 94  |
| DLM432  | 92   | 95  |

| Modello | Livello di pressione sonora ( $L_{pA}$ ): (dB (A)) | Incertezza per il livello di pressione sonora (K): (dB(A)) |
|---------|--|--|
| DLM382  | 81   | 3  |
| DLM432  | 81   | 3  |

**NOTA:** Il valore o i valori dichiarati delle emissioni di rumori sono stati misurati in conformità a un metodo standard di verifica, e possono essere utilizzati per confrontare un utensile con un altro.

**NOTA:** Il valore o i valori dichiarati delle emissioni di rumori possono essere utilizzati anche per una valutazione preliminare dell'esposizione.

**⚠AVVERTIMENTO:** Indossare protezioni per le orecchie.

**⚠AVVERTIMENTO:** L'emissione di rumori durante l'utilizzo effettivo dell'utensile elettrico può variare rispetto al valore o ai valori complessivi dichiarati, a seconda dei modi in cui viene utilizzato l'utensile.

**⚠AVVERTIMENTO:** Accertarsi di identificare misure di sicurezza per la protezione dell'operatore che siano basate su una stima dell'esposizione nelle condizioni effettive di utilizzo (tenendo conto di tutte le parti del ciclo operativo, ad esempio del numero di spegnimenti dell'utensile e di quando giri a vuoto, oltre al tempo di attivazione).

## Vibrazioni

Valore complessivo delle vibrazioni continue (somma vettoriale triassiale) determinato in base allo standard EN IEC 62841-4-3:

**Modello DLM382**

Emissione di vibrazioni ( $a_h$ ): 2,5 m/s<sup>2</sup> o inferiore  
Incertezza (K): 2,0 m/s<sup>2</sup>

**Modello DLM432**

Emissione di vibrazioni ( $a_h$ ): 2,5 m/s<sup>2</sup> o inferiore  
Incertezza (K): 1,5 m/s<sup>2</sup>

**NOTA:** Il valore o i valori complessivi delle vibrazioni dichiarati sono stati misurati in conformità a un metodo standard di verifica, e possono essere utilizzati per confrontare un utensile con un altro.

**NOTA:** Il valore o i valori complessivi delle vibrazioni dichiarati possono essere utilizzati anche per una valutazione preliminare dell'esposizione.

**⚠AVVERTIMENTO:** L'emissione di vibrazioni durante l'utilizzo effettivo dell'utensile elettrico può variare rispetto al valore o ai valori complessivi dichiarati, a seconda dei modi in cui viene utilizzato l'utensile.

**⚠AVVERTIMENTO:** Accertarsi di identificare misure di sicurezza per la protezione dell'operatore che siano basate su una stima dell'esposizione nelle condizioni effettive di utilizzo (tenendo conto di tutte le parti del ciclo operativo, ad esempio del numero di spegnimenti dell'utensile e di quando giri a vuoto, oltre al tempo di attivazione).

## Dichiarazioni di conformità

*Solo per i paesi europei*

Le Dichiarazioni di conformità sono incluse nell'Allegato A al presente manuale d'uso.

# AVVERTENZE DI SICUREZZA

## Avvertenze generali relative alla sicurezza dell'utensile elettrico

**AVVERTIMENTO** Leggere tutte le avvertenze di sicurezza, le istruzioni, le illustrazioni e i dati tecnici forniti insieme a questo utensile elettrico. La mancata osservanza di tutte le istruzioni seguenti potrebbe risultare in scosse elettriche, incendi e/o gravi lesioni personali.

## Conservare tutte le avvertenze e le istruzioni come riferimento futuro.

Il termine "utensile elettrico" nelle avvertenze si riferisce sia all'utensile elettrico (cablato) nel funzionamento alimentato da rete elettrica che all'utensile elettrico (a batteria) nel funzionamento alimentato a batteria.

## Avvertenze di sicurezza relative al tosaerba a batteria

1. **Non utilizzare il tosaerba in condizioni meteorologiche avverse, specialmente quando sussiste il rischio di fulmini.** In tal modo si riduce il rischio di venire colpiti da un fulmine.
2. **Verificare accuratamente l'eventuale presenza di animali selvatici nell'area in cui si deve utilizzare il tosaerba.** Gli animali selvatici potrebbero venire feriti dal tosaerba durante l'uso.
3. **Verificare accuratamente l'eventuale presenza di pietre, legnetti, fili elettrici, ossa e altri corpi estranei nell'area in cui si deve utilizzare il tosaerba.** Gli oggetti scagliati possono causare lesioni personali.
4. **Prima di utilizzare il tosaerba, ispezionarlo sempre visivamente per verificare che la lama e il gruppo lama non siano usurati o danneggiati.** Parti usurate o danneggiate incrementano il rischio di lesioni personali.
5. **Controllare spesso se il raccoglitore erba presenti segni di usura o deterioramento.** Un raccoglitore erba usurato o danneggiato potrebbe incrementare il rischio di lesioni personali.
6. **Tenere le protezioni installate. Le protezioni devono essere perfettamente funzionanti e montate correttamente.** Una protezione allentata, danneggiata o che non funzioni correttamente potrebbe risultare in lesioni personali.
7. **Mantenere tutte le prese d'aria di raffreddamento prive di detriti.** Prese d'aria ostruite e detriti potrebbero causare surriscaldamenti o rischi di incendio.
8. **Durante l'uso del tosaerba, indossare sempre calzature antiscivolo e protettive. Non far funzionare il tosaerba a piedi nudi o indossando sandali aperti.** Questa precauzione riduce la possibilità di lesioni personali ai piedi dovute al contatto con la lama in movimento.

9. **Mentre si utilizza il tosaerba, indossare sempre pantaloni lunghi.** La pelle esposta incrementa la probabilità di lesioni personali dovute a oggetti scagliati.
10. **Non far funzionare il tosaerba nell'erba bagnata. Camminare, non correre mai.** Questa precauzione riduce il rischio di scivolate e cadute, che potrebbero causare lesioni personali.
11. **Non far funzionare il tosaerba su pendii eccessivamente ripidi.** Questa precauzione riduce il rischio di perdite di controllo, scivolate e cadute, che potrebbero causare lesioni personali.
12. **Quando si lavora sui pendii, accertarsi sempre di mantenere un saldo equilibrio sui piedi, lavorare sempre trasversalmente alla facciata dei pendii, mai verso l'alto o verso il basso, e adottare estrema cautela quando si cambia direzione.** Questa precauzione riduce il rischio di perdite di controllo, scivolate e cadute, che potrebbero causare lesioni personali.
13. **Adottare estrema cautela quando si inverte il movimento o si tira il tosaerba verso di sé. Fare sempre attenzione all'ambiente circostante.** Questa precauzione riduce il rischio di inciampare durante l'uso.
14. **Non toccare le lame e altre parti mobili pericolose mentre sono ancora in movimento.** Questa precauzione riduce il rischio di lesioni personali dovute alle parti mobili.
15. **Quando si intende rimuovere materiale inceppato o pulire il tosaerba, accertarsi che tutti gli interruttori di accensione siano disattivati e che la batteria sia stata scollegata.** Il funzionamento imprevisto del tosaerba potrebbe causare gravi lesioni personali.

## Avvertenze di sicurezza aggiuntive

### Addestramento

1. **Leggere con attenzione le istruzioni. Familiarizzare con i controlli e con l'utilizzo corretto del tosaerba.**
2. **Non consentire mai l'uso del tosaerba a bambini o persone che non abbiano familiarità con le presenti istruzioni. Le normative locali vigenti potrebbero limitare l'età dell'operatore.**
3. **Non far funzionare mai il tosaerba in presenza di persone, specialmente bambini, o di animali nelle vicinanze.**
4. **Tenere presente che l'operatore o l'utilizzatore è responsabile degli incidenti o dei pericoli che possono capitare ad altre persone o alle loro proprietà.**

### Preparazione

1. **Prima di tagliare l'erba, accertarsi che non vi siano altre persone nell'area di lavoro, arrestare il tosaerba.**
2. **Non inserire la chiave di blocco nel tosaerba fino al momento in cui quest'ultimo è pronto per l'uso.**
3. **Fare attenzione a buche, solchi, cunette, pietre o altri oggetti nascosti.** Un terreno irregolare potrebbe causare un incidente dovuto a scivolamento e caduta. L'erba alta può nascondere



ostacoli.

4. **Non inserire o rimuovere la chiave di blocco sotto la pioggia.**

#### Funzionamento

1. **Arrestare il tosaerba e rimuovere la chiave di blocco, quindi accertarsi che tutte le parti mobili si siano arrestate completamente**
  - ogni volta che si lascia il tosaerba;
  - prima di rimuovere le occlusioni o di distruggere lo scivolo;
  - prima di controllare, pulire o lavorare sul tosaerba.
2. **Qualora il tosaerba colpisca un oggetto estraneo, attenersi alla procedura seguente:**
  - Arrestare il tosaerba, rilasciare la leva interruttore e attendere che la lama si arresti completamente.
  - Rimuovere la chiave di blocco e la cartuccia della batteria.
  - Ispezionare attentamente il tosaerba alla ricerca di eventuali danni.
  - Sostituire la lama, qualora presenti un qualsiasi danno. Riparare eventuali danni prima di riavviare e continuare a utilizzare il tosaerba.
3. **Qualora il tosaerba inizi a vibrare in modo anormale o si noti una qualsiasi anomalia, attenersi immediatamente alla procedura seguente:**
  - Arrestare il tosaerba, rilasciare la leva interruttore e attendere che la lama si arresti completamente.
  - Rimuovere la chiave di blocco e la cartuccia della batteria.
  - Eseguire un'ispezione alla ricerca di eventuali danni e sostituire o riparare eventuali parti danneggiate.
  - Controllare e serrare eventuali parti allentate.
4. **Non utilizzare mai il tosaerba con protezioni o barriere difettose, oppure senza aver montato i dispositivi di sicurezza, ad esempio i deflettori e/o il cestello erba.**
5. **Far funzionare il tosaerba esclusivamente di giorno o con una buona illuminazione artificiale.**
6. **Accendere con attenzione il tosaerba seguendo le istruzioni e con i piedi ben lontani dalle lame.**
7. **Fare attenzione a prevenire lesioni personali a mani e piedi causate dalle lame del tosaerba.**
8. **Arrestare le lame, qualora sia necessario inclinare il tosaerba per il trasporto quando si intende attraversare superfici non erbose, nonché quando lo si trasporta sul luogo di utilizzo e lo si porta via da quest'ultimo.**
9. **Non inclinare il tosaerba quando si accende il motore, tranne quando è necessario inclinarlo per avviarlo. In questo caso, non inclinarlo più di quanto sia assolutamente necessario, e sollevare solo la parte lontana dall'operatore. Accertarsi sempre che entrambe le mani siano nella posizione d'uso, prima di riportare il tosaerba al suolo.**
10. **Non mettere le mani o i piedi in prossimità delle parti in rotazione o sotto queste ultime. Restare sempre a distanza dall'apertura di scarico.**
11. **Mantenere sempre una salda presa sul manubrio.**
12. **Quando si intende sollevare o mantenere il tosaerba, non afferrare mai le lame o i bordi taglienti esposti.**
13. **Tenere mani e piedi lontani dalle lame in rotazione. Attenzione: le lame continuano a girare per inerzia, dopo lo spegnimento del tosaerba.**
14. **Qualora il tosaerba disponga della funzione di regolazione dell'altezza di taglio, non tentare mai di effettuare regolazioni dell'altezza di taglio mentre il tosaerba è in funzione.**
15. **Rilasciare la leva interruttore e attendere l'arresto della rotazione della lama prima di attraversare vialetti d'accesso, marciapiedi, strade e qualsiasi terreno coperto di ghiaia. Rimuovere la chiave di blocco anche se si intende lasciare il tosaerba, sporgersi per sollevare o rimuovere qualcosa dal suo percorso, o per qualsiasi altro motivo che potrebbe distrarre l'operatore da ciò che si sta facendo.**
16. **Non avviare il tosaerba mentre si sta in piedi davanti all'apertura di scarico.**
17. **Non rivolgere mai il materiale che viene scaricato verso alcuna persona. Evitare di scaricare il materiale contro pareti oppure ostacoli. Il materiale potrebbe rimbalzare verso l'operatore. Arrestare la lama quando si intende attraversare superfici di ghiaia.**
18. **Non tirare il tosaerba all'indietro, se non assolutamente necessario.** Quando si è costretti a far arretrare il tosaerba da una recinzione o un altro ostacolo simile, guardare in basso e all'indietro, prima e durante il movimento all'indietro.
19. **Spegnere il motore e attendere che la lama si sia arrestata completamente, prima di rimuovere il raccogliore erba.** Fare attenzione: le lame continuano a muoversi per inerzia, dopo lo spegnimento.
20. **Quando si utilizza la macchina su suolo fangoso, pendii bagnati o ubicazioni scivolose, fare attenzione al proprio appoggio sui piedi.**
21. **Evitare di lavorare in un ambiente inadeguato in cui si preveda un maggiore affaticamento per l'utente.**
22. **Non utilizzare la macchina in condizioni di tempo avverso in cui la visibilità sia limitata.** La mancata osservanza di questa indicazione potrebbe causare cadute o funzionamento errato a causa della scarsa visibilità.
23. **Non immergere la macchina in una pozzanghera.**
24. **Quando foglie bagnate o sporco aderiscono alla bocca di aspirazione (finestrella di ventilazione) a causa della pioggia, rimuoverle.**
25. **Non utilizzare la macchina nella neve.**
26. **Qualora l'erba tagliata sia bagnata, è probabile che resti intasata all'interno della macchina. Controllare a intervalli regolari la condizione della macchina, e rimuovere l'erba rimasta**

attaccata, se necessario.

27. Quando si utilizza la macchina, fare attenzione a tubazioni e cablaggi elettrici.

#### Manutenzione e conservazione

1. Ispezionare ed eseguire la manutenzione del tosaerba a intervalli regolari.
2. Mantenere serrati tutti i bulloni, i dadi e le viti, per assicurare che l'apparecchio sia in condizioni di lavoro sicure.
3. Controllare spesso se il cestello erba presenti segni di usura o di deterioramento. Prima di riporre il cestello erba, accertarsi sempre che sia vuoto. Per garantire la sicurezza, sostituire un cestello erba usurato con un nuovo ricambio di fabbrica.
4. Utilizzare esclusivamente le lame originali del produttore specificate nel presente manuale.
5. Fare attenzione durante la regolazione del tosaerba, in modo da evitare che le dita restino incastrate tra le lame in movimento e le parti fisse del tosaerba.
6. Controllare a intervalli frequenti che il bullone di montaggio della lama sia serrato correttamente.
7. Lasciare sempre raffreddare il tosaerba prima di riporlo.
8. Prima di un intervento sulle lame, tenere presente che, anche se la fonte di alimentazione è disattivata, le lame possono venire comunque spostate.
9. Non rimuovere né manomettere i dispositivi di sicurezza. Controllare a intervalli regolari che funzionino correttamente. Non fare alcunché per interferire con la funzione designata di un dispositivo di sicurezza o per ridurre la protezione fornita da un dispositivo di sicurezza.
10. Non lasciare la macchina incustodita all'aperto sotto la pioggia.
11. Non lavare la macchina con acqua ad alta pressione.
12. Quando si intende lavare la macchina, accertarsi di rimuovere la batteria e la chiave di blocco e chiudere il coperchio batterie, quindi versare l'acqua verso il lato inferiore della macchina, su cui è montata la lama.
13. Quando si intende riporre la macchina, evitare la luce solare diretta e la pioggia, e riporla in un'ubicazione in cui non sia soggetta a temperature estremamente elevate o umidità.
14. Effettuare l'ispezione e la manutenzione in un'ubicazione in cui si possa evitare la pioggia.
15. Dopo aver utilizzato la macchina, rimuovere lo sporco rimasto attaccato e far asciugare completamente la macchina prima di riporla. A seconda della stagione o della zona, sussiste il rischio di malfunzionamento dovuto a congelamento.

#### Sicurezza elettrica e della batteria

1. Non aprire né fare a pezzi le batterie. L'elettrolita rilasciato è corrosivo, e potrebbe causare danni agli occhi o alla pelle. Inoltre, potrebbe essere tossico, se ingerito.

2. Non caricare la batteria sotto la pioggia o in condizioni di bagnato.
3. Non caricare la batteria all'aperto.
4. Non maneggiare con le mani bagnate il carica-batterie, inclusa la spina del caricabatterie e i terminali di quest'ultimo.
5. Non sostituire la batteria sotto la pioggia.
6. Non far bagnare i terminali della batteria con liquidi, ad esempio con acqua, né sommergere la batteria. Non lasciare la batteria sotto la pioggia e non caricarla, utilizzarla o riporla in un'ubicazione umida o bagnata. Qualora i terminali si bagnino o del liquido penetri all'interno della batteria, quest'ultima potrebbe venire cortocircuitata, e sussiste il rischio di surriscaldamento, incendio o esplosione.
7. Dopo aver rimosso la batteria dalla macchina o dal caricabatterie, accertarsi di applicare il cappuccio della batteria su quest'ultima e di riporre la batteria in un'ubicazione asciutta.
8. Non sostituire la batteria con le mani bagnate.
9. Evitare gli ambienti pericolosi. Non utilizzare la macchina in luoghi umidi o bagnati né esporla alla pioggia. La penetrazione di acqua nella macchina incrementa il rischio di scosse elettriche.
10. Qualora la cartuccia della batteria si bagni, far fuoriuscire tutta l'acqua dall'interno, quindi pulirla con un panno asciutto. Far asciugare completamente la cartuccia della batteria in un luogo asciutto, prima dell'uso.

## CONSERVARE LE PRESENTI ISTRUZIONI.

**⚠AVVERTIMENTO:** NON lasciare che la comodità o la familiarità d'uso con il prodotto (acquisita con l'uso ripetuto) sostituiscano la stretta osservanza delle norme di sicurezza. L'USO IMPROPRIO o la mancata osservanza delle norme di sicurezza riportate nel presente manuale di istruzioni potrebbero causare lesioni personali gravi.

### Istruzioni di sicurezza importanti per la cartuccia della batteria

1. Prima di utilizzare la cartuccia della batteria, leggere tutte le istruzioni e le avvertenze riportate (1) sul caricabatteria, (2) sulla batteria e (3) sul prodotto che utilizza la batteria.
2. Non smantellare né manomettere la cartuccia della batteria. In caso contrario, si potrebbe causare un incendio, calore eccessivo o un'esplosione.
3. Qualora il tempo di utilizzo si riduca eccessivamente, interrompere immediatamente l'utilizzo dell'utensile. In caso contrario, si può incorrere nel rischio di surriscaldamento, possibili ustioni e persino un'esplosione.
4. Qualora l'elettrolita entri in contatto con gli occhi, sciacquarli con acqua pulita e richiedere immediatamente assistenza medica. Questa eventualità può risultare nella perdita della vista.

5. **Non cortocircuitare la cartuccia della batteria:**
  - (1) **Non toccare i terminali con alcun materiale conduttivo.**
  - (2) **Evitare di conservare la cartuccia della batteria in un contenitore insieme ad altri oggetti metallici quali chiodi, monete, e così via.**
  - (3) **Non esporre la cartuccia della batteria all'acqua o alla pioggia.**

Un cortocircuito della batteria può causare un grande flusso di corrente, un surriscaldamento, possibili ustioni e persino un guasto.

6. **Non conservare e utilizzare l'utensile e la cartuccia della batteria in ubicazioni in cui la temperatura possa raggiungere o superare i 50°C.**
7. **Non incenerire la cartuccia della batteria anche qualora sia gravemente danneggiata o completamente esaurita. La cartuccia della batteria può esplodere se a contatto con il fuoco.**
8. **Non inchiodare, tagliare, schiacciare, lanciare o far cadere la cartuccia della batteria, né farla urtare con forza contro un oggetto duro.** Questi comportamenti potrebbero risultare in un incendio, calore eccessivo o un'esplosione.
9. **Non utilizzare una batteria danneggiata.**
10. **Le batterie a ioni di litio contenute sono soggette ai requisiti del regolamento sul trasporto di merci pericolose (Dangerous Goods Legislation).**  
Per trasporti commerciali, ad esempio da parte di terzi o spedizionieri, è necessario osservare dei requisiti speciali sull'imballaggio e sull'etichetta. Per la preparazione dell'articolo da spedire, è richiesta la consulenza di un esperto in materiali pericolosi. Attenersi anche alle normative nazionali, che potrebbero essere più dettagliate. Nastrare o coprire i contatti aperti e imballare la batteria in modo tale che non si possa muovere liberamente all'interno dell'imballaggio.
11. **Quando si intende smaltire la cartuccia della batteria, rimuoverla dall'utensile e smaltirla in un luogo sicuro. Attenersi alle normative locali relative allo smaltimento della batteria.**
12. **Utilizzare le batterie esclusivamente con i prodotti specificati da Makita.** L'installazione delle batterie in prodotti non compatibili potrebbe risultare in incendi, calore eccessivo, esplosioni o perdite di liquido elettrolitico.
13. **Se l'utensile non viene utilizzato per un periodo di tempo prolungato, la batteria deve essere rimossa dall'utensile.**
14. **Durante e dopo l'uso, la cartuccia della batteria potrebbe assorbire calore, che può causare ustioni o ustioni a bassa temperatura. Fare attenzione a come si maneggiano le cartucce delle batterie estremamente calde.**
15. **Non toccare i terminali dell'utensile subito dopo l'uso, in quanto potrebbero diventare estremamente caldi al punto da causare ustioni.**
16. **Evitare di far incastrare schegge, polveri o terreno nei terminali, nei fori e nelle scanalature della cartuccia della batteria.** In caso contrario, l'utensile o la cartuccia della batteria potrebbero

riscaldarsi, prendere fuoco, scoppiare o guastarsi, causando ustioni o lesioni personali.

17. **A meno che l'utensile supporti l'uso in prossimità di linee elettriche ad alta tensione, non utilizzare la cartuccia della batteria in prossimità di linee elettriche ad alta tensione.** In caso contrario, si potrebbe causare un malfunzionamento o la rottura dell'utensile o della cartuccia della batteria.
18. **Tenere la batteria lontana dai bambini.**

## CONSERVARE LE PRESENTI ISTRUZIONI.

**ATTENZIONE:** Utilizzare solo batterie originali Makita. L'utilizzo di batterie Makita non originali, o di batterie che siano state alterate, potrebbe risultare nello scoppio della batteria, causando incendi, lesioni personali e danni. Inoltre, ciò potrebbe invalidare la garanzia Makita per l'utensile e il caricabatterie Makita.

**AVVISO:** Makita non si assume alcuna responsabilità per eventuali incidenti derivanti dall'utilizzo di batterie Makita non originali o di batterie che siano state modificate. Le batterie Makita originali sono state valutate in modo rigoroso per la compatibilità con utensili e caricabatterie Makita, in linea con la normativa e gli standard di sicurezza applicabili.

## Suggerimenti per preservare la durata massima della batteria

1. **Caricare la cartuccia della batteria prima che si scarichi completamente. Smettere sempre di utilizzare l'utensile e caricare la cartuccia della batteria quando si nota che la potenza dell'utensile è diminuita.**
2. **Non ricaricare mai una cartuccia della batteria completamente carica. La sovraccarica riduce la vita utile della batteria.**
3. **Caricare la cartuccia della batteria a una temperatura ambiente compresa tra 10 °C e 40 °C. Lasciar raffreddare una cartuccia della batteria prima di caricarla.**
4. **Quando non si utilizza la cartuccia della batteria, rimuoverla dall'utensile o dal caricabatterie.**
5. **Caricare la cartuccia della batteria se non la si è utilizzata per un periodo di tempo prolungato (più di sei mesi).**

## MONTAGGIO

**⚠AVVERTIMENTO:** Accertarsi sempre che la chiave di blocco e la cartuccia della batteria siano state rimosse prima di eseguire qualsiasi intervento sul tosaerba. La mancata rimozione della chiave di blocco e della cartuccia della batteria potrebbe risultare in gravi lesioni personali dovute all'avvio accidentale.

**⚠AVVERTIMENTO:** Non avviare mai il tosaerba se non è stato completamente montato. L'uso della macchina in uno stato di montaggio parziale potrebbe risultare in gravi lesioni personali dovute all'avvio accidentale.

### Installazione del coperchio batterie

**⚠AVVERTIMENTO:** Non inserire la chiave di blocco e la cartuccia della batteria prima di installare il coperchio batterie. In caso contrario, si potrebbero causare gravi lesioni personali.

Installare completamente il coperchio batterie prima dell'uso. Il coperchio batterie protegge il tosaerba e la cartuccia della batteria da fango, sporco e acqua.

1. Sistemare il coperchio batterie sul tosaerba allineando le sporgenze di quest'ultimo con i fori sul coperchio batterie.

► Fig.1: 1. Sporgenza 2. Foro 3. Coperchio batterie

2. Posizionare le mani al centro del coperchio batterie e premere.

► Fig.2

3. Prima del primo utilizzo, verificare che il punto di perno del coperchio batterie sia agganciato correttamente. Se il coperchio batterie è installato correttamente, non si apre fino a quando si tira la leva di blocco del coperchio batterie.

► Fig.3: 1. Punto di perno 2. Leva di blocco del coperchio batterie

### Installazione del manubrio

**AVVISO:** Quando si installano i manubri, posizionare i cavi in modo che non restino impigliati in alcunché tra i manubri. Qualora il cavo sia danneggiato, l'interruttore del tosaerba potrebbe non funzionare.

1. Far scivolare entrambe le estremità del manubrio inferiore nelle scanalature del tosaerba, quindi serrare completamente le viti di fissaggio.

► Fig.4: 1. Vite di fissaggio 2. Manubrio inferiore

2. Allineare i fori per le viti del manubrio superiore e del manubrio inferiore. Fissarli con le viti e i dadi di fissaggio.

► Fig.5: 1. Dado di fissaggio 2. Vite di fissaggio

**NOTA:** Tenere saldamente il manubrio superiore in modo da non farlo cadere dalla mano.

3. Montare i fermacavi sul manubrio. Posizionare il cavo di alimentazione come indicato nella figura.

► Fig.6: 1. Fermacavo

### Rimozione dell'adattatore per pacciamatura

#### Accessorio opzionale

1. Aprire lo sportellino posteriore.

► Fig.7: 1. Sportellino posteriore

2. Afferrare l'adattatore per pacciamatura per il manico, quindi tirarlo fuori dal corpo del tosaerba, come indicato nella figura.

► Fig.8: 1. Adattatore per pacciamatura 2. Manico

### Assemblaggio del cestello erba

Per assemblare il cestello erba, attenersi alla procedura seguente.

1. Inserire il telaio leggermente inclinato nei fori presenti nel cestello erba, mantenendo in alto la staffa di bloccaggio, come indicato nella figura.

► Fig.9: 1. Staffa di bloccaggio 2. Telaio 3. Foro

2. Aprire tutte le staffe di bloccaggio e montarle saldamente sul telaio.

► Fig.10: 1. Staffe di bloccaggio

3. Serrare i due bulloni con la chiave esagonale inclusa nella confezione della macchina per fissarli.

► Fig.11: 1. Bulloni 2. Chiave esagonale

### Installazione del cestello erba

1. Aprire lo sportellino posteriore.

► Fig.12: 1. Sportellino posteriore

2. Agganciare il cestello erba alla barra del corpo del tosaerba, come indicato nella figura.

► Fig.13: 1. Gancio 2. Barra 3. Cestello erba

### Montaggio dell'adattatore per pacciamatura

#### Accessorio opzionale

1. Aprire lo sportellino posteriore, quindi rimuovere il cestello erba.

► Fig.14: 1. Sportellino posteriore 2. Cestello erba

2. Afferrare l'adattatore per pacciamatura per il manico, quindi montarlo sul corpo del tosaerba, come indicato nella figura.

► Fig.15: 1. Adattatore per pacciamatura 2. Manico

# DESCRIZIONE DELLE FUNZIONI

## Installazione o rimozione della cartuccia della batteria

**⚠ATTENZIONE:** Spegnere sempre la macchina prima di installare o rimuovere la cartuccia della batteria.

**⚠ATTENZIONE:** Prima dell'uso, accertarsi di aver bloccato il coperchio batterie. In caso contrario, fango, sporco o acqua potrebbero danneggiare il prodotto o la cartuccia della batteria.

**⚠ATTENZIONE:** Installare sempre fino in fondo la cartuccia della batteria, fino a quando l'indicatore rosso non è più visibile. In caso contrario, la batteria potrebbe cadere accidentalmente fuori dalla macchina, causando lesioni personali all'operatore o alle persone circostanti.

**⚠ATTENZIONE:** Non installare forzatamente la cartuccia della batteria. Qualora la batteria non si inserisca scorrendo agevolmente, vuol dire che non viene inserita correttamente.

**NOTA:** La macchina non funziona con una sola cartuccia della batteria.

### Per installare la cartuccia della batteria:

1. Far scorrere la leva di blocco del coperchio batterie, quindi aprire il coperchio batterie.

► **Fig.16:** 1. Coperchio batterie 2. Leva di blocco del coperchio batterie

2. Allineare la lingua sulla cartuccia della batteria con l'alloggiamento sul tosaerba, quindi far scorrere la cartuccia fino a quando si innesta in sede con un piccolo scatto.

► **Fig.17:** 1. Cartuccia della batteria

3. Inserire la chiave di blocco per tutta la sua lunghezza nella sede mostrata nella figura.

► **Fig.18:** 1. Chiave di blocco

4. Chiudere il coperchio batterie e premere fino a quando viene agganciato dalla leva di blocco.

### Per rimuovere la cartuccia della batteria dal tosaerba:

1. Far scorrere la leva di blocco del coperchio batterie, quindi aprire il coperchio batterie.

2. Estrarre la cartuccia della batteria dal tosaerba facendo scorrere allo stesso tempo il pulsante sulla parte anteriore della cartuccia.

3. Estrarre la chiave di blocco.

4. Chiudere il coperchio batterie.

## Sistema di protezione della macchina e della batteria

La macchina è dotata di un sistema di protezione della macchina stessa e della batteria. Questo sistema interrompe automaticamente l'alimentazione al motore per

prolungare la vita utile dell'utensile e della batteria. La macchina si arresta automaticamente durante il funzionamento, qualora la macchina o la batteria vengano a trovarsi in una delle condizioni seguenti.

## Protezione dal sovraccarico

Quando si utilizza la macchina in un modo tale da causare un assorbimento di corrente elevato in modo anormale, la macchina si arresta automaticamente senza alcuna indicazione. In questa circostanza, spegnere la macchina e interrompere l'applicazione che ha causato il sovraccarico della macchina. Quindi, accendere la macchina per ricominciare.

## Protezione dal surriscaldamento

Quando la macchina è surriscaldata, si arresta automaticamente. Lasciar raffreddare la macchina, prima di riaccenderla.

## Protezione dalla sovrascarica

Quando la carica della batteria si riduce, la macchina si arresta automaticamente. Qualora il prodotto non funzioni anche quando si attivano gli interruttori, rimuovere le batterie dalla macchina e caricarle.

## Indicazione della carica residua della batteria

► **Fig.19:** 1. Indicatore della batteria

Quando la carica residua di una batteria diventa bassa, l'indicatore della batteria lampeggia dal lato della batteria in questione. Qualora si continui a utilizzare la macchina, quest'ultima si arresta e l'indicatore della batteria si illumina. In questa circostanza, caricare la cartuccia della batteria.




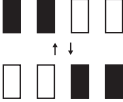
## Indicazione della carica residua della batteria

### Solo per cartucce delle batterie dotate di indicatore

Premere il pulsante di controllo sulla cartuccia della batteria per indicare la carica residua della batteria. Gli indicatori luminosi si illuminano per alcuni secondi.

► **Fig.20:** 1. Indicatori luminosi 2. Pulsante di controllo

| Indicatori luminosi |          |                | Carica residua        |
|---------------------|----------|----------------|-----------------------|
| ■ Illuminato        | □ Spento | ▬ Lampeggiante |                       |
| ■ ■ ■ ■             |          |                | Dal 75% al 100%       |
| ■ ■ ■ □             |          |                | Dal 50% al 75%        |
| ■ ■ □ □             |          |                | Dal 25% al 50%        |
| ■ □ □ □             |          |                | Dallo 0% al 25%       |
| ▬ □ □ □             |          |                | Caricare la batteria. |

| Indicatori luminosi  |  |  | Carica residua                         |
|--|--|--|--|
| <br>Illuminato | <br>Spento | <br>Lampeggiante |  |
|               |  |  | La batteria potrebbe essersi guastata. |

**NOTA:** A seconda delle condizioni d'uso e della temperatura ambiente, l'indicazione potrebbe variare leggermente rispetto alla carica effettiva.

**NOTA:** Il primo indicatore luminoso (all'estremità sinistra) lampeggia quando il sistema di protezione della batteria è in funzione.

## Funzionamento dell'interruttore

**AVVERTIMENTO:** Prima di installare la cartuccia della batteria, controllare sempre che la leva interruttore funzioni correttamente e che torni sulla sua posizione originale quando viene rilasciata. L'utilizzo di una macchina con un interruttore che non funziona correttamente può portare alla perdita di controllo e a gravi lesioni personali.

**NOTA:** Il tosaerba non si avvia se non si preme il pulsante interruttore, anche se si tira la leva interruttore.

**NOTA:** Il tosaerba potrebbe non avviarsi a causa di un sovraccarico, quando si tenta di tagliare erba lunga o densa in una sola sessione. In tal caso, regolare l'altezza di taglio.

Il presente tosaerba è dotato di un interruttore asservito e di un interruttore sul manubrio. Qualora si noti qualcosa di anomalo in relazione a questi interruttori, interrompere immediatamente l'utilizzo e farli controllare dal centro di assistenza autorizzato Makita più vicino.

1. Installare le cartucce delle batterie. Inserire la chiave di blocco nell'interruttore asservito, quindi chiudere il coperchio batterie.

► **Fig.21:** 1. Cartuccia della batteria 2. Chiave di blocco

2. Premere e tenere premuto il pulsante interruttore.  
3. Afferrare il manubrio superiore e tirare la leva interruttore.

► **Fig.22:** 1. Pulsante interruttore 2. Leva interruttore

4. Rilasciare il pulsante interruttore non appena il motore inizia ad avviarsi. Il tosaerba continua a funzionare fino a quando si rilascia la leva interruttore.

5. Per arrestare il motore, rilasciare la leva interruttore.

## Regolazione dell'altezza di taglio

**AVVERTIMENTO:** Non mettere mai le mani o le gambe sotto il corpo del tosaerba quando si intende regolare l'altezza di taglio.

**AVVERTIMENTO:** Accertarsi sempre che la leva entri correttamente nella scanalatura prima dell'uso.

È possibile regolare l'altezza di taglio nella gamma compresa tra 20 mm e 75 mm.

1. Rimuovere la chiave di blocco.
2. Tirare la leva di regolazione dell'altezza di taglio verso l'esterno del corpo del tosaerba e spostarla sull'altezza di taglio desiderata.

► **Fig.23:** 1. Leva di regolazione dell'altezza di taglio

**NOTA:** I valori dell'altezza di taglio vanno utilizzati solo come indicazione di massima. A seconda delle condizioni del prato o del terreno, l'altezza effettiva del prato potrebbe diventare leggermente diversa da quella impostata.

**NOTA:** Effettuare un taglio di prova dell'erba in un'ubicazione meno in evidenza, in modo da ottenere l'altezza desiderata.

## Indicatore livello erba

► **Fig.24:** 1. Indicatore livello erba

L'indicatore livello erba mostra il volume dell'erba tagliata.

- Quando il cestello erba non è pieno, l'indicatore fluttua durante il taglio dell'erba.
- Quando il cestello erba è pieno, l'indicatore non fluttua durante il taglio dell'erba. In tal caso, interrompere immediatamente il taglio dell'erba e svuotare il cestello. Dopo aver svuotato il cestello, pulirlo in modo che il suo reticolo possa far sfidiare l'aria.

**NOTA:** Questo indicatore è una guida approssimativa. A seconda delle condizioni all'interno del cestello, questo indicatore potrebbe non funzionare correttamente.

## Uso dell'adattatore per pacciamatura

### Accessorio opzionale

L'adattatore per pacciamatura consente di far ricadere l'erba tagliata al suolo senza raccoglierla nel cestello erba. Quando si utilizza la macchina con l'adattatore per pacciamatura, accertarsi di rimuovere il cestello erba.

**AVVISO:** Quando si intende utilizzare la macchina con l'adattatore per pacciamatura, accertarsi che la lunghezza complessiva dell'erba dopo il taglio sia pari o superiore a 30 mm, e che la lunghezza tagliata sia pari o inferiore a 15 mm.

► **Fig.25:** (1) Almeno 30 mm (2) 15 mm o meno



# FUNZIONAMENTO

## Taglio dell'erba

**⚠AVVERTIMENTO:** Prima di tagliare l'erba, rimuovere gli stecchi e i sassi dall'area di taglio. Inoltre, rimuovere preventivamente eventuali erbacce dall'area di taglio.

**⚠AVVERTIMENTO:** Indossare sempre occhiali od occhialoni di sicurezza con protezioni laterali, quando si utilizza il tosaerba.

**⚠ATTENZIONE:** Qualora l'erba tagliata o un corpo estraneo ostruisca l'interno del corpo del tosaerba, accertarsi di rimuovere la chiave di blocco e la cartuccia della batteria, e indossare i guanti prima di rimuovere l'erba o il corpo estraneo.

**AVVISO:** Utilizzare questa macchina solo per la tosatura di prati. Non tagliare erbacce con questa macchina.

► Fig.26

Tenere saldamente il manubrio con entrambe le mani durante il taglio dell'erba.

La velocità di taglio indicativa è di circa 1 metro ogni 4 secondi.

► Fig.27

I bordi esterni delle ruote anteriori fungono da riferimenti per la larghezza di taglio. Tagliare per strisce, utilizzando i bordi esterni delle ruote anteriori come riferimenti. Per tagliare in modo uniforme il prato, sovrapporre ogni striscia a quella precedente per una parte che vada da una metà a un terzo.

► Fig.28: 1. Larghezza di taglio 2. Area di sovrapposizione 3. Bordo esterno

Cambiare la direzione di taglio ogni volta, per evitare che si formi uno schema di venature d'erba in un'unica direzione.

► Fig.29

Controllare a intervalli regolari la quantità di erba tagliata nel cestello erba. Svuotare l'erba prima che il cestello si riempia. Prima di ogni controllo periodico, accertarsi di arrestare il tosaerba, quindi rimuovere la chiave di blocco e la cartuccia della batteria.

**AVVISO:** L'uso del tosaerba con il cestello erba pieno impedisce una rotazione fluida della lama ed esercita un'ulteriore pressione sul motore, che potrebbe causare un guasto.

## Taglio di un prato con erba alta

Non tentare di tagliare dell'erba alta in una singola passata. Tagliare il prato, invece, in più sessioni. Lasciar passare uno o due giorni tra un taglio e l'altro, fino ad accorciare il prato in modo uniforme.

**NOTA:** Qualora si tagli corta l'erba alta in una singola passata, l'erba potrebbe morire. Inoltre, l'erba tagliata potrebbe ammassarsi e formare un'ostruzione all'interno del corpo del tosaerba.

## Svuotamento del cestello erba

**⚠AVVERTIMENTO:** Per ridurre il rischio di un incidente, verificare a intervalli regolari l'eventuale presenza di danni o di indebolimenti della robustezza del cestello erba. Se necessario, sostituire il cestello erba.

1. Rilasciare la leva interruttore.
2. Rimuovere la chiave di blocco.
3. Aprire lo sportellino posteriore ed estrarre il cestello erba tenendolo per la maniglia.  
► Fig.30: 1. Sportellino posteriore 2. Manico
4. Svuotare il cestello erba.

# MANUTENZIONE

**⚠AVVERTIMENTO:** Accertarsi sempre di aver rimosso la chiave di blocco e la cartuccia della batteria dal tosaerba prima di riporre o trasportare il tosaerba, oppure prima di tentare di eseguire un intervento di ispezione o di manutenzione.

**⚠AVVERTIMENTO:** Rimuovere sempre la chiave di blocco quando il tosaerba non è in uso. Conservare la chiave di blocco in un luogo sicuro, fuori della portata dei bambini.

**⚠AVVERTIMENTO:** Indossare dei guanti quando si intende eseguire l'ispezione o la manutenzione.

**⚠AVVERTIMENTO:** Indossare sempre occhiali od occhialoni di sicurezza con protezioni laterali, quando si intende eseguire ispezioni o manutenzione.

**AVVISO:** Non utilizzare mai benzina, benzene, solventi, alcol o altre sostanze simili. In caso contrario, si potrebbero causare scolorimenti, deformazioni o crepe.

Per preservare la SICUREZZA e l'AFFIDABILITÀ del prodotto, le riparazioni e qualsiasi altro intervento di manutenzione e di regolazione devono essere eseguiti da un centro di assistenza autorizzato Makita, utilizzando sempre ricambi Makita.

## Manutenzione

1. Rimuovere la chiave di blocco. Conservarla in un luogo sicuro fuori della portata dei bambini.
2. Pulire il tosaerba utilizzando esclusivamente un panno umido. Non spruzzare o versare acqua sul tosaerba durante la pulizia.
3. Posizionare il tosaerba su un fianco e pulire i frammenti tagliati di erba accumulati sul lato inferiore della carrozzeria del tosaerba.



- Controllare che tutti i dadi, i bulloni, le manopole, le viti, le chiusure, e così via, siano serrati saldamente.
- Ispezionare le parti mobili per individuare danni, rotture o usura. Le parti danneggiate o mancanti vanno riparate o sostituite.

## Conservazione

**AVVERTIMENTO:** Quando si intende trasportare o riporre il tosaerba, non mantenerlo per i manubri ripiegati, ma per l'impugnatura anteriore del tosaerba. Qualora lo si mantenga per i manubri ripiegati, si potrebbero causare gravi lesioni personali o danneggiare il tosaerba.

Prima di riporre il tosaerba, rimuovere la cartuccia della batteria e la chiave di blocco. Riporre il tosaerba al chiuso, in un luogo fresco, asciutto e chiuso a chiave. Non riporre il tosaerba e il caricabatterie in ubicazioni in cui la temperatura possa raggiungere o superare i 40 °C.

► **Fig.31:** 1. Impugnatura anteriore 2. Impugnatura posteriore

- Allentare le viti di fermo ed espandere il manubrio inferiore da entrambi i lati. Abbassare il manubrio in avanti. In questa fase, tenere una salda presa sul manubrio inferiore, in modo che il manubrio non cada sul lato lontano dal corpo del tosaerba.

► **Fig.32:** 1. Vite di fissaggio 2. Manubrio inferiore

- Allentare i dadi di fissaggio e far ruotare il manubrio superiore all'indietro, espandendone al tempo stesso entrambi i lati.

► **Fig.33:** 1. Dado di fissaggio 2. Manubrio superiore

- Riporre il cestello erba tra il manubrio e il corpo del tosaerba.

► **Fig.34:** 1. Cestello erba

**NOTA:** Quando si intende mettere il tosaerba in posizione verticale, non mantenerlo per il manubrio, ma utilizzare l'impugnatura anteriore del tosaerba.

## Rimozione o installazione della lama del tosaerba

**AVVERTIMENTO:** Rimuovere sempre la chiave di blocco e la cartuccia della batteria quando si intende rimuovere o installare la lama. La mancata rimozione della chiave di blocco e della cartuccia della batteria potrebbe causare gravi lesioni personali.

**AVVERTIMENTO:** La lama continua a girare per inerzia per alcuni secondi dopo che si è rilasciato l'interruttore. Non iniziare l'operazione fino all'arresto completo della lama.

**AVVERTIMENTO:** Indossare sempre dei guanti quando si maneggia la lama.

### Rimozione della lama del tosaerba

#### Per il modello DLM382

- Sistemare il tosaerba su un fianco in modo che la leva di regolazione dell'altezza di taglio si trovi sul lato

superiore.

- Per bloccare la rotazione della lama, inserire un cacciavite o un utensile simile in un foro sul corpo del tosaerba.

- Ruotare il bullone in senso antiorario con la chiave.

► **Fig.35:** 1. Lama del tosaerba 2. Cacciavite 3. Chiave

- Rimuovere il bullone e la lama in quest'ordine.

► **Fig.36:** 1. Supporto della lama 2. Lama del tosaerba 3. Bullone

#### Per il modello DLM432

- Sistemare il tosaerba su un fianco in modo che la leva di regolazione dell'altezza di taglio si trovi sul lato superiore.

- Per bloccare la rotazione della lama, inserire un cacciavite o un utensile simile in un foro sul corpo del tosaerba.

- Ruotare il bullone in senso antiorario con la chiave.

► **Fig.37:** 1. Lama del tosaerba 2. Cacciavite 3. Chiave

- Rimuovere il bullone, la flangia esterna, la lama del tosaerba e la flangia interna, in quest'ordine.

► **Fig.38:** 1. Flangia interna 2. Lama del tosaerba 3. Flangia esterna 4. Bullone

### Installazione della lama del tosaerba

Per installare la lama del tosaerba, eseguire la procedura di rimozione al contrario.

**AVVERTIMENTO:** Installare con cautela la lama del tosaerba. La lama ha una faccia superiore e una inferiore. Posizionare la lama in modo che la freccia della direzione di rotazione sia rivolta verso l'esterno.

**AVVERTIMENTO:** Serrare saldamente il bullone in senso orario per fissare la lama.

**AVVERTIMENTO:** Accertarsi che la lama del tosaerba e tutte le parti di fissaggio siano installate correttamente e serrate saldamente.

**AVVERTIMENTO:** Quando si sostituiscono le lame, seguire sempre le istruzioni fornite nel presente manuale.

# RISOLUZIONE DEI PROBLEMI

Prima di richiedere riparazioni, eseguire un'ispezione personalmente. Qualora si rilevi un problema che non è illustrato nel manuale, non tentare di smontare l'utensile. Rivolgersi, invece, a un centro di assistenza autorizzato Makita, utilizzando sempre pezzi di ricambio Makita per le riparazioni.

| Stato di anomalia   | Causa probabile (guasto)  | Azione correttiva  |
|---|---|--|
| Il tosaerba non si avvia.   | Le due cartucce delle batterie non sono installate.                           | Installare le cartucce delle batterie caricate.  |
|   | Problema delle batterie (tensione insufficiente)                              | Ricaricare la cartuccia della batteria. Qualora la ricarica non abbia effetto, sostituire la cartuccia della batteria. |
|   | La chiave di blocco non è inserita.   | Inserire la chiave di blocco.  |
| Il motore si arresta dopo un breve utilizzo.                              | Il livello di carica della batteria è basso.                                  | Ricaricare la cartuccia della batteria. Qualora la ricarica non abbia effetto, sostituire la cartuccia della batteria. |
|   | L'altezza di taglio è troppo bassa.   | Aumentare l'altezza di taglio.   |
| Il motore non raggiunge i giri/minuto massimi.                            | La cartuccia della batteria non è installata correttamente.                   | Installare la cartuccia della batteria come descritto nel presente manuale.  |
|   | La potenza della batteria si sta riducendo.                                   | Ricaricare la cartuccia della batteria. Qualora la ricarica non abbia effetto, sostituire la cartuccia della batteria. |
|   | Il sistema di trasmissione non funziona correttamente.                        | Chiedere la riparazione al proprio centro di assistenza autorizzato locale.  |
| La lama del tosaerba non gira:<br>⇒ arrestare immediatamente il tosaerba! | Un oggetto estraneo, ad esempio un ramoscello, è incastrato vicino alla lama. | Rimuovere l'oggetto estraneo.  |
|   | Il sistema di trasmissione non funziona correttamente.                        | Chiedere la riparazione al proprio centro di assistenza autorizzato locale.  |
| Vibrazione anomala:<br>⇒ arrestare immediatamente il tosaerba!            | La lama è sbilanciata, usurata eccessivamente o in modo disomogeneo.          | Sostituire la lama.  |

## ACCESSORI OPZIONALI

**⚠ATTENZIONE:** Questi accessori o componenti aggiuntivi sono consigliati per l'uso con l'utensile Makita specificato nel presente manuale.

L'impiego di altri accessori o componenti aggiuntivi può costituire un rischio di lesioni alle persone. Utilizzare gli accessori o i componenti aggiuntivi solo per il loro scopo prefissato.

Per ottenere ulteriori dettagli relativamente a questi accessori, rivolgersi a un centro di assistenza Makita.

- Lama del tosaerba
- Adattatore per pacciamatura
- Batteria e caricabatterie originali Makita

**NOTA:** Alcuni articoli nell'elenco potrebbero essere inclusi nell'imballaggio dell'utensile come accessori standard. Tali articoli potrebbero variare da nazione a nazione.

## TECHNISCHE GEGEVENS

| Model:  |                                  | DLM382  | DLM432  |
|---|----------------------------------|---|---|
| Maaibreedte (diameter van snijblad)                   |                                  | 380 mm  | 430 mm  |
| Nullasttoerental                                      |                                  | 3.700 min <sup>-1</sup>   | 3.600 min <sup>-1</sup>   |
| Onderdeelnummer van vervangingsnijblad van grasmaaier |                                  | 191D41-2  | 191D43-8  |
| Afmetingen (l x b x h)                                | tijdens gebruik                  | L: 1.380 mm tot 1.410 mm<br>B: 450 mm<br>H: 985 mm tot 1.005 mm | L: 1.435 mm tot 1.490 mm<br>B: 460 mm<br>H: 1.005 mm tot 1.045 mm |
|   | tijdens opslag (zonder grasmand) | 860 mm x 450 mm x 475 mm  | 865 mm x 460 mm x 475 mm  |
| Nominale spanning                                     |                                  | 36 V gelijkstroom   |   |
| Nettogewicht  |                                  | 15,5 - 16,5 kg  | 16,0 - 16,9 kg  |

- In verband met ononderbroken research en ontwikkeling, behouden wij ons het recht voor de bovenstaande technische gegevens zonder voorafgaande kennisgeving te wijzigen.
- De technische gegevens kunnen van land tot land verschillen.
- De waarde van het nettogewicht is inclusief de lichtste en zwaarste combinatie van de hulpstukken en accu's die worden vermeld in de gebruiksaanwijzing.

## Toepasselijke accu's en laders

|       |   |
|-------|---|
| Accu  | BL1830B / BL1840B / BL1850B / BL1860B                                 |
| Lader | DC18RC / DC18RD / DC18RE / DC18SD / DC18SE / DC18SF / DC18SH / DC18WC |


- Sommige van de hierboven vermelde accu's en laders zijn mogelijk niet leverbaar afhankelijk van waar u woont.


**⚠ WAARSCHUWING:** Gebruik uitsluitend de accu's en laders die hierboven worden genoemd. Gebruik van enige andere accu of lader kan leiden tot letsel en/of brand.


**⚠ WAARSCHUWING:** Gebruik geen bekabelde voeding, zoals een accuadapter of draagbare voedingseenheid met dit gereedschap. De kabel van een dergelijke voeding kan het gebruik hinderen waardoor persoonlijk letsel wordt veroorzaakt.


## Symbolen


Hieronder staan de symbolen die voor het gereedschap kunnen worden gebruikt. Zorg ervoor dat u de betekenis ervan kent voordat u het gereedschap gaat gebruiken.


 Wees vooral voorzichtig en let goed op.

 Lees de gebruiksaanwijzing.


 Gevaar: let op weggegooid voorwerpen.

 Omstanders moeten een afstand van zeker 15 meter bewaren tot het gereedschap.

 Breng nooit uw handen of voeten dicht bij het maaimes onder de grasmaaier. Het maaimes blijft nadraaien nadat de motor is uitgeschakeld.

 Verwijder de contactsleutel vóór het inspecteren, bijstellen, reinigen, onderhouden, achterlaten of opbergen van de grasmaaier.

 Waarschuwing: Koppel de accu los alvorens onderhoud uit te voeren.

 Gegarandeerd geluidsvermogeniveau conform EU-richtlijn inzake geluidsemisatie buitenhuis.

 Geluidsvermogeniveau conform de Regelgeving Geluidsregeling van NSW, Australië



Alleen voor EU-landen  
 Als gevolg van de aanwezigheid van schadelijke componenten in het apparaat, kunnen oude elektrische en elektronische apparaten, accu's en batterijen negatieve gevolgen hebben voor het milieu en de gezondheid van mensen.  
 Gooi elektrische en elektronische apparaten en accu's niet met het huisvuil weg! In overeenstemming met de Europese richtlijn inzake oude elektrische en elektronische apparaten en inzake accu's en batterijen en oude accu's en batterijen, alsmede de toepassing daarvan binnen de nationale wetgeving, dienen oude elektrische apparaten, accu's en batterijen gescheiden te worden opgeslagen en te worden ingeleverd bij een apart inzamelepunt voor huishoudelijk afval dat de milieubeschermingsvoorschriften in acht neemt.  
 Dit wordt op het apparaat aangegeven door het symbool van een doorgekruiste afvalcontainer.

## Gebruiksdoeleinden

De machine is bedoeld om het gazon te maaien.

## Geluidsniveau

De typische, A-gewogen geluidsniveaus zijn gemeten volgens EN IEC 62841-4-3:

| Model  | Gemeten geluidsvermogensniveau ( $L_{WA}$ ): (dB(A)) | Gegarandeerd geluidsvermogensniveau ( $L_{WA}$ ): (dB(A)) |
|--------|--|---|
| DLM382 | 91   | 94  |
| DLM432 | 92   | 95  |

| Model  | Geluidsdruk-niveau ( $L_{pA}$ ): (dB (A)) | Onzekerheid van het geluidsdruk-niveau (K): (dB(A)) |
|--------|---|---|
| DLM382 | 81  | 3   |
| DLM432 | 81  | 3   |

**OPMERKING:** De opgegeven geluidsemissiewaarde(n) is/zijn gemeten volgens een standaardtestmethode en kan/kunnen worden gebruikt om dit gereedschap te vergelijken met andere gereedschappen.

**OPMERKING:** De opgegeven geluidsemissiewaarde(n) kan/kunnen ook worden gebruikt voor een beoordeling vooraf van de blootstelling.

**⚠WAARSCHUWING:** Draag gehoorbescherming.

**⚠WAARSCHUWING:** De geluidsemissie tijdens het gebruik van het elektrisch gereedschap in de praktijk kan verschillen van de opgegeven totale waarde(n) afhankelijk van de manier waarop het gereedschap wordt gebruikt.

**⚠WAARSCHUWING:** Zorg ervoor dat veiligheidsmaatregelen worden getroffen ter bescherming van de gebruiker die zijn gebaseerd op een schatting van de blootstelling onder praktijkomstandigheden (rekening houdend met alle fasen van de bedrijfscyclus, zoals de tijdsduur gedurende welke het gereedschap is uitgeschakeld en stationair draait, naast de ingeschakelde tijdsduur).

## Trilling

De continue totale trillingswaarde (triaxiale vectorsom) zoals vastgesteld conform EN IEC 62841-4-3:

**Model DLM382**

Trillingsemissie ( $a_h$ ): 2,5 m/s<sup>2</sup> of lager  
 Onzekerheid (K): 2,0 m/s<sup>2</sup>

**Model DLM432**

Trillingsemissie ( $a_h$ ): 2,5 m/s<sup>2</sup> of lager  
 Onzekerheid (K): 1,5 m/s<sup>2</sup>

**OPMERKING:** De totale trillingswaarde(n) is/zijn gemeten volgens een standaardtestmethode en kan/kunnen worden gebruikt om dit gereedschap te vergelijken met andere gereedschappen.

**OPMERKING:** De opgegeven totale trillingswaarde(n) kan/kunnen ook worden gebruikt voor een beoordeling vooraf van de blootstelling.

**⚠WAARSCHUWING:** De trillingsemissie tijdens het gebruik van het elektrisch gereedschap in de praktijk kan verschillen van de opgegeven totale waarde(n) afhankelijk van de manier waarop het gereedschap wordt gebruikt.

**⚠WAARSCHUWING:** Zorg ervoor dat veiligheidsmaatregelen worden getroffen ter bescherming van de gebruiker die zijn gebaseerd op een schatting van de blootstelling onder praktijkomstandigheden (rekening houdend met alle fasen van de bedrijfscyclus, zoals de tijdsduur gedurende welke het gereedschap is uitgeschakeld en stationair draait, naast de ingeschakelde tijdsduur).

## Verklaringen van conformiteit

*Alleen voor Europese landen*

De verklaringen van conformiteit zijn bijgevoegd in Bijlage A bij deze gebruiksaanwijzing.

# VEILIGHEIDSWAARSCHUWINGEN

## Algemene veiligheids waarschuwingen voor elektrisch gereedschap

**⚠️WAARSCHUWING** Lees alle veiligheids waarschuwingen, instructies, afbeeldingen en technische gegevens die bij dit elektrisch gereedschap worden geleverd. Als niet alle onderstaande instructies worden opgevolgd, kan dat leiden tot een elektrische schok, brand en/of ernstig letsel.

## Bewaar alle waarschuwingen en instructies om in de toekomst te kunnen raadplegen.

De term "elektrisch gereedschap" in de veiligheidsvoorschriften duidt op gereedschappen die op stroom van het lichtnet werken (met snoer) of gereedschappen met een accu (snoerloos).

## Veiligheids waarschuwingen voor een accugrasmaaier

1. **Gebruik de grasmaaier niet bij slechte weersomstandigheden, met name wanneer de kans op bliksem bestaat.** Dit verkleint de kans om door de bliksem getroffen te worden.
2. **Inspecteer het gebied waar de grasmaaier gebruikt gaat worden zorgvuldig op de aanwezigheid van dieren.** Dieren kunnen gewond raken tijdens het gebruik van de grasmaaier.
3. **Inspecteer het gebied waar de grasmaaier gebruikt gaat worden zorgvuldig en verwijder alle stenen, stokken, draden, botten en andere vreemde voorwerpen.** Weggeworpen voorwerpen kunnen leiden tot persoonlijk letsel.
4. **Voordat u de grasmaaier gebruikt, inspecteer u altijd of het snijblad en de bijbehorende onderdelen niet zijn versleten of beschadigd.** Versleten of beschadigde onderdelen verhogen de kans op letsel.
5. **Controleer veelvuldig de grasopvanger op slijtage en beschadigingen.** Een versleten of beschadigde grasopvanger kan de kans op persoonlijk letsel verhogen.
6. **Houd de beschermkappen op hun plaats. De beschermkappen moeten in werkende staat zijn en goed gemonteerd zijn.** Een beschermkap die los zit, beschadigd is of niet goed werkt, kan persoonlijk letsel veroorzaken.
7. **Zorg ervoor dat alle koelluchtinlaten vrij zijn van vuil.** Verstopte luchtinlaten en vuil kunnen leiden tot oververhitting of de kans op brand.
8. **Draag tijdens gebruik van de grasmaaier altijd slipvast veiligheidsschoeisel. Gebruik de grasmaaier niet wanneer u op blote voeten loopt of open sandalen draagt.** Dit verkleint de kans op letsel aan uw voeten door contact met het bewegende snijblad.

9. **Draag tijdens gebruik van de grasmaaier altijd een lange broek.** Blootliggende huid verhoogt de kans op letsel door weggeworpen voorwerpen.
10. **Gebruik de grasmaaier niet op nat gras. Loop gewoon en ren niet.** Dit verkleint de kans op uitglijden en vallen die kunnen leiden tot persoonlijk letsel.
11. **Gebruik de grasmaaier niet op zeer steile hellingen.** Dit verkleint de kans op verlies van controle, uitglijden en vallen die kunnen leiden tot persoonlijk letsel.
12. **Verzeker u bij het werken op hellingen er altijd van dat u stevig staat, werk altijd dwars op de helling, nooit hellingopwaarts of -afwaarts, en wees uiterst voorzichtig bij het veranderen van richting.** Dit verkleint de kans op verlies van controle, uitglijden en vallen die kunnen leiden tot persoonlijk letsel.
13. **Wees uiterst voorzichtig wanneer u de grasmaaier achteruit laat rijden of naar u toe trekt. Wees u altijd bewust van uw omgeving.** Dit verkleint de kans op struikelen tijdens gebruik.
14. **Raak het snijblad en andere gevaarlijke bewegende delen niet aan terwijl deze nog bewegen.** Dit verkleint de kans op letsel door bewegende delen.
15. **Bij het verwijderen van vastgelopen materiaal of het schoonmaken van de grasmaaier verzekert u zich ervan dat alle aan-uitschakelaars uit staan en de accu is losgekoppeld.** Onverwachts in werking treden van de grasmaaier kan leiden tot ernstig persoonlijk letsel.

## Aanvullende veiligheids waarschuwingen

### Instructie

1. **Lees de gebruiksaanwijzingen aandachtig door.** Zorg dat u vertrouwd bent met de bedieningsorganen en het correcte gebruik van de grasmaaier.
2. **Laat nooit kinderen of anderen die niet vertrouwd zijn met deze instructies de grasmaaier bedienen.** De toegestane leeftijd van gebruikers kan ook zijn vastgelegd in de plaatselijke wetgeving.
3. **Gebruik de grasmaaier nooit met personen, in het bijzonder kinderen, of huisdieren dicht in de buurt.**
4. **Onthoud dat de bediener of gebruiker aansprakelijk is voor ongelukken met letsel aan andere personen of schade aan hun eigendommen.**

### Vorbereidingen

1. **Zorg dat er geen andere personen in de buurt zijn voordat u met maaien begint. Stop de grasmaaier wanneer er iemand nadert.**
2. **Steek de contactsleutel pas in de grasmaaier wanneer die klaar voor gebruik is.**
3. **Kijk uit voor kuilen, sporen, hobbels, stenen en andere verborgen voorwerpen.** Ongelijkmatig terrein kan leiden tot uitglijden en vallen. In lang gras kunnen obstakels verborgen zitten.
4. **Terwijl het regent mag u de contactsleutel niet erin steken of verwijderen.**

## Bediening

1. **Schakel de grasmaaier uit, verwijder de contactsleutel, en verzeker u ervan dat alle bewegende delen volledig tot stilstand zijn gekomen**
  - wanneer u de grasmaaier achterlaat;
  - voor het opheffen van een blokkering of het vrijmaken van het uitwerpkanal;
  - voor het controleren, reinigen of werken aan de grasmaaier.
2. **Als de grasmaaier een vreemd voorwerp raakt, gaat u als volgt te werk:**
  - Stop de grasmaaier, laat de schakelhendel los en wacht tot het snijblad helemaal tot stilstand is gekomen.
  - Verwijder de contactsleutel en de accu.
  - Controleer de grasmaaier zorgvuldig op beschadigingen.
  - Vervang het snijblad als het op enige wijze beschadigd is. Repareer elke beschadiging voordat u de grasmaaier opnieuw start en in gebruik neemt.
3. **Als de grasmaaier abnormaal begint te trillen of als u iets abnormaals opmerkt, volgt u onmiddellijk de volgende stappen:**
  - Stop de grasmaaier, laat de schakelhendel los en wacht tot het snijblad helemaal tot stilstand is gekomen.
  - Verwijder de contactsleutel en de accu.
  - Inspecteer op beschadigingen en vervang of repareer alle beschadigde onderdelen.
  - Controleer op loszittende onderdelen en zet deze goed vast.
4. **Gebruik de grasmaaier in geen geval wanneer de beveiligingskappen of schermen defect zijn, of wanneer beveiligingsdelen zoals de keerschotten en/of grasmand afwezig zijn.**
5. **Gebruik de grasmaaier alleen bij daglicht of helder kunstlicht.**
6. **Schakel de grasmaaier zorgvuldig in volgens de voorschriften, met uw voeten op veilige afstand van de snijblad(en).**
7. **Wees voorzichtig uw handen en voeten niet te verwonden aan het snijblad.**
8. **Stop de snijblad(en) wanneer u de grasmaaier moet kantelen om hem te verplaatsen over een ander oppervlak dan gras, en ook wanneer u de grasmaaier vervoert van of naar het te maaien terrein.**
9. **Kantel de grasmaaier niet wanneer u de motor inschakelt, behalve wanneer het noodzakelijk is de grasmaaier iets te kantelen om de motor te starten. In dat geval kantelt u hem niet verder dan strikt noodzakelijk en tilt u alleen het van u afgerichte deel iets omhoog. Zorg er altijd voor dat u beide handen op de bedieningspositie houdt voordat u de grasmaaier weer op de grond laat zakken.**
10. **Plaats nooit uw handen of voeten onder of vlakbij de draaiende onderdelen. Blijf steeds uit de buurt van de uitwerpopening.**
11. **Houd de handgreep altijd stevig vast.**
12. **Raak het snijblad of andere scherpe randen niet aan bij het optillen of dragen van de grasmaaier.**
13. **Houd uw handen en voeten uit de buurt van het draaiende snijblad. Let op - Het snijblad blijft nadraaien nadat de grasmaaier is uitgeschakeld.**
14. **Als de grasmaaier is uitgerust met een maaïhoogte-instelling, mag u nooit de maaïhoogte veranderen terwijl de grasmaaier draait.**
15. **Laat de schakelhendel los en wacht tot het snijblad gestopt is voordat u een tuinpad, trottoir, oprijlaan, straat of weg oversteekt, of enig terrein waar grind ligt. Verwijder de contactsleutel ook wanneer u de grasmaaier even achterlaat, wanneer u een eindje verder iets moet oprapen, of als u om enige andere reden afgeleid bent van waar u mee bezig was.**
16. **Start de grasmaaier niet terwijl u recht voor de uitwerpopening staat.**
17. **Richt het uitgeworpen materiaal nooit op iemand. Voorkom dat materiaal wordt uitgeworpen tegen een muur of obstakel. Het materiaal kan terugkaatsen naar de gebruiker. Zet het snijblad stil wanneer u een verharde ondergrond oversteekt.**
18. **Trek de grasmaaier niet naar achteren behalve indien absoluut noodzakelijk. Wanneer u niet anders kan dan de grasmaaier achteruit te bewegen vanaf een afrastering of andere, soortgelijke obstructie, kijkt u omlaag en naar achter de grasmaaier vóór en tijdens het achteruit bewegen.**
19. **Schakel de motor uit en wacht tot het snijblad volledig tot stilstand is gekomen, voordat u de grasvanger verwijderd. Denk eraan dat het snijblad blijft nalopen nadat de grasmaaier is uitgeschakeld.**
20. **Als u het gereedschap op een modderige ondergrond, natte helling of gladde plaats gebruikt, let u erop dat u stevig staat.**
21. **Vermijd werken in een ongunstige omgeving waarin een verhoogde vermoeidheid van de gebruiker kan worden verwacht.**
22. **Gebruik het gereedschap niet bij slecht weer waarin het zicht beperkt is. Als u dit toch doet, kan dat een val of verkeerde bediening veroorzaken als gevolg van het slechte zicht.**
23. **Dompel het gereedschap niet onder in een waterplas.**
24. **Wanneer natte bladeren of vuil blijft kleven aan de aanzuigmond (ventilatieopening) als gevolg van de regen, verwijderd u deze.**
25. **Gebruik het gereedschap niet in de sneeuw.**
26. **Als het maaisel nat is, hoopt het zich waarschijnlijk op aan de binnenkant van het gereedschap. Controleer regelmatig de staat van het gereedschap en verwijder zo nodig het aanklevende gras.**
27. **Let bij het gebruik van het gereedschap op leidingen en kabels.**

## Onderhoud en opslag

1. **Inspecteer en onderhoud de grasmaaier regelmatig.**
2. **Zorg dat alle moeren, bouten en schroeven stevig zijn aangedraaid, om het gereedschap**

veilig te kunnen gebruiken.

3. Controleer veelvuldig de grasmand op slijtage en beschadigingen. Voor de opslag, verzekert u uzelf ervan dat de grasmand leeg is. Vervang een versleten grasmand uit veiligheidsoverwegingen altijd door een origineel, nieuw vervangingsonderdeel.
4. Gebruik uitsluitend de in deze handleiding door de fabrikant voorgeschreven snijbladen.
5. Wees uiterst voorzichtig tijdens het bijstellen van de grasmaaier om te voorkomen dat uw vingers bekneld raken tussen het draaiende snijblad en de vaste delen van de grasmaaier.
6. Controleer veelvuldig of de snijbladbevestigingsbout stevig vast zit.
7. Laat de grasmaaier altijd eerst afkoelen voordat u hem opbergt.
8. Onthoud goed bij onderhoud aan de snijbladen dat ook als de stroom is uitgeschakeld, de snijbladen nog wel kunnen bewegen.
9. Haal de veiligheidsvoorzieningen niet uit elkaar en knoei er niet aan. Controleer regelmatig of ze correct werken. Doe nooit iets dat de beoogde werking van een veiligheidsvoorziening hindert of de bescherming die een veiligheidsvoorziening biedt vermindert.
10. Laat het gereedschap niet onbeheerd buiten in de regen staan.
11. Was het gereedschap niet met water onder hoge druk.
12. Als u het gereedschap wast, verwijdert u de accu en contactsleutel en sluit u het accudeksel, en giet u water op de onderkant van het gereedschap waaraan het snijblad is bevestigd.
13. Wanneer u de machine opbergt, vermijdt u direct zonlicht en regen, en bergt u het op een plaats op die niet heet of vochtig wordt.
14. Voer inspectie en onderhoud uit op een plaats waar regen kan worden vermeden.
15. Nadat u het gereedschap hebt gebruikt, verwijdert u het aanklevende vuil en laat u het gereedschap volledig drogen voordat u hem opbergt. Afhankelijk van het seizoen of gebied, bestaat de kans op een storing als gevolg van bevroering.

#### Elektrische veiligheid en accu

1. Open of vervorm de accu('s) niet. Het elektrolyt is agressief en kan letsel toebrengen aan de ogen en huid. Het kan giftig zijn bij inslikken.
2. Laad de accu niet op in de regen of op een natte plaats.
3. Laad de accu niet buitenshuis op.
4. Raak de lader, inclusief de stekker en de contacten van de lader, niet met natte handen aan.
5. Vervang de accu niet in de regen.
6. Laat de aansluitpunten van de accu niet nat worden met een vloeistof, zoals water, en dompel de accu niet onder. Laat de accu niet in de regen liggen en laad of berg de accu niet op een vochtige of natte plaats op. Als de aansluitpunten nat worden of vloeistof binnendringt in de accu, kan kortsluiting ontstaan in de accu en bestaat de kans op oververhitting, brand of

explosie.

7. Nadat de accu vanaf het gereedschap of de acculader is verwijderd, vergeet u niet het accudeksel op de accu te bevestigen en deze op een droge plaats op te bergen.
8. Vervang de accu niet met natte handen.
9. Vermijd gevaarlijke omgevingen. Gebruik de machine niet op vochtige of natte plaatsen en stel hem niet bloot aan regen. Als water binnendringt in de machine, wordt de kans op een elektrische schok groter.
10. Als de accu nat wordt, laat u het water eruit lopen en veegt u hem af met een droge doek. Laat de accu volledig drogen op een droge plaats voordat u hem gebruikt.

## BEWAAR DEZE VOORSCHRIFTEN.

**⚠WAARSCHUWING:** Laat u NIET misleiden door een vals gevoel van comfort en bekendheid met het gereedschap (na veelvuldig gebruik) en neem alle veiligheidsvoorschriften van het betreffende gereedschap altijd strikt in acht. **VERKEERD GEBRUIK** of het niet naleven van de veiligheidsvoorschriften in deze gebruiksaanwijzing kan leiden tot ernstig letsel.

### Belangrijke veiligheidsinstructies voor een accu

1. Lees alle voorschriften en waarschuwingen op (1) de acculader, (2) de accu, en (3) het product waarvoor de accu wordt gebruikt, alvorens de accu in gebruik te nemen.
2. Haal de accu niet uit elkaar en saboteer hem niet. Dit kan leiden tot brand, buitensporige hitte of een explosie.
3. Als de gebruikstijd van een opgeladen accu aanzienlijk korter is geworden, moet u het gebruik ervan onmiddellijk stopzetten. Voortgezet gebruik kan oververhitting, brandwonden en zelfs een ontploffing veroorzaken.
4. Als elektrolyt in uw ogen is terechtgekomen, spoelt u uw ogen met schoon water en roept u onmiddellijk de hulp van een dokter in. Elektrolyt in de ogen kan blindheid veroorzaken.
5. Voorkom kortsluiting van de accu:
  - (1) Raak de accuklemmen nooit aan met een geleidend materiaal.
  - (2) Bewaar de accu niet in een bak waarin andere metalen voorwerpen zoals spijkers, munten e.d. worden bewaard.
  - (3) Stel de accu niet bloot aan water of regen. Kortsluiting van de accu kan oorzaak zijn van een grote stroomafgifte, oververhitting, brandwonden, en zelfs defecten.
6. Bewaar en gebruik het gereedschap en de accu niet op plaatsen waar de temperatuur kan oplopen tot 50 °C of hoger.
7. Werp de accu nooit in het vuur, ook niet wanneer hij zwaar beschadigd of volledig versleten is. De accu kan ontploffen in het vuur.



8. **Laat de accu niet vallen, sla er geen spijker in, snijd er niet in, gooi er niet mee en stoot hem niet tegen een hard voorwerp.** Dergelijke handelingen kunnen leiden tot brand, buitensporige hitte of een explosie.
9. **Gebruik nooit een beschadigde accu.**
10. **De bijgeleverde lithium-ionbatterijen zijn onderhevig aan de vereisten in de wetgeving omtrent gevaarlijke stoffen.**  
 Voor commercieel transport en dergelijke door derden en transporteurs moeten speciale vereisten ten aanzien van verpakking en etikettering worden nageleefd.  
 Als voorbereiding van het artikel dat wordt getransporteerd is het noodzakelijk een expert op het gebied van gevaarlijke stoffen te raadplegen. Houd u tevens aan mogelijk strengere nationale regelgeving.  
 Blootliggende contactpunten moeten worden afgedekt met tape en de accu moet zodanig worden verpakt dat deze niet kan bewegen in de verpakking.
11. **Wanneer u de accu wilt weggooiën, verwijdert u de accu vanaf het gereedschap en gooit u hem op een veilige manier weg. Volg bij het weggooiën van de accu de plaatselijke voorschriften.**
12. **Gebruik de accu's uitsluitend met de gereedschappen die door Makita zijn aanbevolen.** Als de accu's worden aangebracht in niet-compatibele gereedschappen, kan dat leiden tot brand, buitensporige warmteontwikkeling, een explosie of lekkage van elektrolyt.
13. **Als u het gereedschap gedurende een lange tijd niet denkt te gaan gebruiken, moet de accu vanaf het gereedschap worden verwijderd.**
14. **Tijdens en na gebruik, kan de accu heet worden waardoor brandwonden of koude brandwonden kunnen worden veroorzaakt. Wees voorzichtig bij het hanteren van een hete accu.**
15. **Raak de aansluitpunten van het gereedschap niet onmiddellijk na gebruik aan omdat deze heet genoeg kunnen zijn om brandwonden te veroorzaken.**
16. **Zorg ervoor dat geen steenslag, stof of grond vast komt te zitten op/in de aansluitpunten, openingen en groeven van de accu.** Hierdoor kan oververhitting, brand, een barst en een storing in het gereedschap of de accu ontstaan waardoor brandwonden of persoonlijk letsel kunnen ontstaan.
17. **Behalve indien gebruik van het gereedschap is toegestaan in de buurt van hoogspanningsleidingen, mag u de accu niet gebruiken in de buurt van een hoogspanningsleiding.** Dit kan leiden tot een storing of een defect van het gereedschap of de accu.
18. **Houd de accu uit de buurt van kinderen.**

## BEWAAR DEZE INSTRUCTIES.

**⚠️ LET OP:** Gebruik uitsluitend originele Makita accu's. Het gebruik van niet-originele accu's, of accu's die zijn gewijzigd, kan ertoe leiden dat de accu ontploft en brand, persoonlijk letsel en schade veroorzaakt. Ook vervalt daarmee de garantie van Makita op het gereedschap en de lader van Makita.

**KENNISGEVING:** Makita is niet verantwoordelijk voor enig ongeval voortvloeiend uit het gebruik van niet-originele Makita-accu's of accu's die zijn gewijzigd. Originele Makita-accu's zijn streng gecontroleerd op compatibiliteit met Makita-gereedschappen en -acculaders, en voldoen aan de toepasselijke regelgeving en veiligheidsnormen.

## Tips voor een maximale levensduur van de accu

1. **Laad de accu op voordat hij volledig ontladen is. Stop het gebruik van het gereedschap en laad de accu op telkens wanneer u vaststelt dat het vermogen van het gereedschap is afgenomen.**
2. **Laad een volledig opgeladen accu nooit opnieuw op. Te lang opladen verkort de levensduur van de accu.**
3. **Laad de accu op bij een omgevingstemperatuur tussen 10 °C en 40 °C. Laat een warme accu afkoelen alvorens hem op te laden.**
4. **Als de accu niet wordt gebruikt, verwijdert u hem vanaf het gereedschap of de lader.**
5. **Laad de accu op als u deze gedurende een lange tijd (meer dan zes maanden) niet gaat gebruiken.**

## MONTAGE

**⚠️ WAARSCHUWING:** Zorg er altijd voor dat de contactsleutel en de accu zijn verwijderd, alvorens u enig werk aan de grasmaaier gaat uitvoeren. Als u de contactsleutel en de accu niet verwijdert, kan dat leiden tot ernstig persoonlijk letsel als de grasmaaier plotseling zou starten.

**⚠️ WAARSCHUWING:** Start nooit de grasmaaier voordat het geheel naar behoren is gemonteerd. Het apparaat in een gedeeltelijk gemonteerde toestand bedienen, kan na per ongeluk inschakelen leiden tot ernstig persoonlijk letsel.

## Het accudeksel aanbrengen

**⚠️ WAARSCHUWING:** Steek de contactsleutel en de accu niet erin voordat u het accudeksel hebt aangebracht. Als u zich hier niet aan houdt, kan dat leiden tot ernstig letsel.

Breng het accudeksel volledig aan vóór gebruik. Het accudeksel beschermt de grasmaaier en accu tegen modder, vuil en water.

1. Plaats het accudeksel zodanig op de grasmaaier dat de openingen in het accudeksel zijn uitgelijnd met

de uitstekende nokken op de grasmaaier.

► **Fig.1:** 1. Uitstekende nok 2. Opening 3. Accudeksel

2. Plaats uw handen op het midden van het accudeksel en duw erop.

► **Fig.2**

3. Controleer vóór het eerste gebruik of het scharnierpunt van het accudeksel naar behoren is vastgemaakt. Als het accudeksel correct is aangebracht, zal deze niet opengaan voordat aan de accudeksel-borghendel is getrokken.

► **Fig.3:** 1. Scharnierpunt 2. Accudeksel-borghendel

## De handgreep aanbrengen

**KENNISGEVING:** Bij het aanbrengen van de handgrepen leidt u de kabels zodat ze niet bekneld raken door iets tussen de handgrepen. Als de kabel beschadigd is, werkt mogelijk de schakelaar van de grasmaaier niet.

1. Schuif beide uiteinden van de onderste handgreep in de gleuven van de grasmaaier en draai daarna de klemmschroeven helemaal vast.

► **Fig.4:** 1. Klemmschroef 2. Onderste handgreep

2. Lijn de schroefgaten van de bovenste en onderste handgrepen met elkaar uit. Bevestig ze aan elkaar met behulp van de klemmschroeven en klemmoeren.

► **Fig.5:** 1. Klemmoer 2. Klemmschroef

**OPMERKING:** Houd de bovenste handgreep stevig vast, zodat deze niet uit uw hand valt.

3. Bevestig de kabelklem aan de handgreep. Geleid het netsnoer zoals aangegeven in de afbeelding.

► **Fig.6:** 1. Kabelklem

## Het mulch-inzetstuk verwijderen

### Optioneel accessoire

1. Open de achterklep.

► **Fig.7:** 1. Achterklep

2. Houd het mulch-inzetstuk vast aan het handvat en trek het uit het maaidek, zoals aangegeven in de afbeelding.

► **Fig.8:** 1. Mulch-inzetstuk 2. Handvat

## De grasmand in elkaar zetten

Voer de volgende stappen uit om de grasmand in elkaar te zetten.

1. Steek het frame onder een kleine hoek in de openingen in de grasmand terwijl u de clip omhoog houdt, zoals aangegeven in de afbeelding.

► **Fig.9:** 1. Bovenste clip 2. Frame 3. Opening

2. Open alle clips en bevestig deze stevig aan het frame.

► **Fig.10:** 1. Clips

3. Draai met behulp van de inbussleutel de twee bouten vast die in de verpakking van de machine werden geleverd om ze vast te zetten.

► **Fig.11:** 1. Bouten 2. Inbussleutel

## De grasmand aanbrengen

1. Open de achterklep.

► **Fig.12:** 1. Achterklep

2. Haak de grasmand aan de stang van het maaidek, zoals aangegeven in de afbeelding.

► **Fig.13:** 1. Haak 2. Stang 3. Grasmand

## Het mulch-inzetstuk aanbrengen

### Optioneel accessoire

1. Open de achterklep en verwijder de grasmand.

► **Fig.14:** 1. Achterklep 2. Grasmand

2. Houd het mulch-inzetstuk vast aan het handvat en plaats vervolgens het in het maaidek, zoals aangegeven in de afbeelding.

► **Fig.15:** 1. Mulch-inzetstuk 2. Handvat

## BESCHRIJVING VAN DE FUNCTIES

### De accu aanbrengen en verwijderen

**⚠ LET OP:** Schakel het apparaat altijd uit voordat u de accu aanbrengt of verwijdert.

**⚠ LET OP:** Zorg dat u voor gebruik het accudeksel stevig afsluit. Anders zou er modder, vuil en water in kunnen komen en het gereedschap of de accu kunnen beschadigen.

**⚠ LET OP:** Schuif de accu altijd volledig naar binnen totdat het rode deel niet meer zichtbaar is. Als u dit niet doet, kan de accu per ongeluk uit het apparaat vallen en letsel veroorzaken bij u of anderen in uw omgeving.

**⚠ LET OP:** Druk de accu er niet met kracht in. Als de accu er niet soepel in schuift, houdt u die waarschijnlijk in de verkeerde stand.

**OPMERKING:** Het apparaat werkt niet met slechts één accu.

### De accu aanbrengen:

1. Verschuif de accudeksel-borghendel en open het accudeksel.

► **Fig.16:** 1. Accudeksel 2. Accudeksel-borghendel

2. Lijn de lip op de accu uit met de gleuf in de grasmaaier en schuif daarna de accu erin tot deze met een klinkgeluid op zijn plaats wordt vergrendeld.

► **Fig.17:** 1. Accu

3. Steek de contactsleutel in op de plaats die in de afbeelding is aangegeven, zover de sleutel gaat.

► **Fig.18:** 1. Contactsleutel

4. Sluit het accudeksel en duw erop totdat hij wordt vergrendeld met de borghendel.

### De accu uit de grasmaaier verwijderen:

1. Verschuif de accudeksel-borghendel en open het

accudeksel.

- Trek de accu uit de grasmaaier terwijl u de knop aan de voorkant van de accu verschuift.
- Trek de contactseutel eruit.
- Sluit het accudeksel.

## Beveiligingssysteem voor apparaat/accu

Het apparaat is uitgerust met een beveiligingssysteem voor apparaat/accu. Dit systeem schakelt automatisch de voeding naar de motor uit om de levensduur van het gereedschap en de accu te verlengen. Het apparaat kan tijdens het gebruik automatisch stoppen als het apparaat of de accu aan één van de volgende omstandigheden wordt blootgesteld.

## Overbelastingsbeveiliging

Wanneer het apparaat wordt bediend op een manier waarop het een abnormaal hoge stroomsterkte trekt, stopt het apparaat automatisch zonder enige waarschuwing. Wanneer dat gebeurt, schakelt u het apparaat uit en stopt u de toepassing die ertoe leidde dat het apparaat overbelast raakte. Schakel vervolgens het apparaat in om het weer te starten.

## Oververhittingsbeveiliging

Wanneer het apparaat oververhit is, stopt het apparaat automatisch. Laat het apparaat afkoelen voordat u het apparaat weer inschakelt.

## Beveiliging tegen te ver ontladen

Als de acculading laag is, stopt het apparaat automatisch. Als het apparaat niet werkt, ook niet wanneer de schakelaars worden bediend, verwijdert u de accu's vanaf het apparaat en laadt u de accu's op.

## De resterende acculading controleren

► **Fig.19:** 1. Accu-indicatorlampje

Als de resterende acculading laag wordt, knippert het accu-indicatorlampje aan de kant van de betreffende accu. Bij verder gebruik stopt de machine en brandt het accu-indicatorlampje. Laad in dat geval de accu op.

## De resterende acculading controleren

**Alleen voor accu's met indicatorlampjes**

Druk op de testknop op de accu om de resterende acculading te zien. De indicatorlampjes branden gedurende enkele seconden.

► **Fig.20:** 1. Indicatorlampjes 2. Testknop

| Indicatorlampjes |     |          | Resterende acculading |
|------------------|-----|----------|-----------------------|
| Brandt           | Uit | Knippert |                       |
| ■                | □   | ▧        | 75% tot 100%          |
| ■                | ■   | ■        |                       |

| Indicatorlampjes |     |          | Resterende acculading                          |
|------------------|-----|----------|--|
| Brandt           | Uit | Knippert |  |
| ■                | ■   | ■        | 50% tot 75%                                    |
| ■                | ■   | □        | 25% tot 50%                                    |
| ■                | □   | □        | 0% tot 25%                                     |
| ▧                | □   | □        | Laad de accu op.                               |
| ■                | ■   | □        | Er kan een storing zijn opgetreden in de accu. |
| □                | □   | ■        |  |

**OPMERKING:** Afhankelijk van de gebruiksomstandigheden en de omgevingstemperatuur, is het mogelijk dat de aangegeven acculading verschilt van de werkelijke acculading.

**OPMERKING:** Het eerste (meest linker) indicatorlampje knippert wanneer het accubeveiligingssysteem in werking is getreden.

## De trekkerschakelaar gebruiken

**⚠WAARSCHUWING:** Alvorens u de accu aanbrengt, controleert u eerst of de schakelhendel goed werkt en bij loslaten automatisch naar de oorspronkelijke stand terugkeert. Bediening van het apparaat met een schakelaar die niet goed werkt kan leiden tot ongecontroleerde bewegingen, met kans op ernstig lichamelijk letsel.

**OPMERKING:** De grasmaaier start niet zonder dat u de schakelknop indrukt, ook al trekt u de schakelhendel in.

**OPMERKING:** De grasmaaier start mogelijk niet vanwege overbelasting wanneer u lang of dicht gras in één keer probeert te maaien. Stel in dat geval de maaihoogte hoger in.

Deze grasmaaier is voorzien van een contactslotschakelaar en een handgreepschakelaar. Als er iets niet in orde is met een van deze twee schakelaars, staakt u dan onmiddellijk het gebruik en laat u ze controleren bij uw dichtstbijzijnde erkende Makita-servicecentrum.

1. Breng de accu's aan. Steek de contactseutel in het contactslot en sluit dan het accudeksel.

► **Fig.21:** 1. Accu 2. Contactseutel

2. Druk op de schakelknop en houd deze ingedrukt.

3. Pak de bovenste handgreep vast en trek de schakelhendel in.

► **Fig.22:** 1. Schakelknop 2. Schakelhendel

4. Laat de schakelknop los zodra de motor begint te draaien. De grasmaaier blijft draaien totdat u de schakelhendel loslaat.

5. Laat de schakelhendel los om de motor te stoppen.

## De maaihoogte instellen

**⚠ WAARSCHUWING:** Plaats bij het instellen van de maaihoogte nooit uw hand of voet onder de grasmaaierbehuizing.

**⚠ WAARSCHUWING:** Controleer vóór het gebruik zorgvuldig of de hendel juist in de gleuf valt.

De maaihoogte is instelbaar binnen een bereik van 20 mm tot 75 mm.

1. Verwijder de contactsleutel.
  2. Trek de maaihoogte-instelhendel naar de buitenkant van de grasmaaierbehuizing en verplaats hem naar de gewenste maaihoogte.
- **Fig.23:** 1. Maaihoogte-instelhendel

**OPMERKING:** De waarden voor de maaihoogte mogen slechts als richtlijn worden gebruikt. Afhankelijk van de toestand van het gazon en de ondergrond, kan de daadwerkelijke gazonhoogte iets afwijken van de ingestelde hoogte.

**OPMERKING:** Met een kuitproef in een minder opvallende plaats kunt u door uitproberen de gewenste hoogte vinden.

## Grasniveau-indicator

- **Fig.24:** 1. Grasniveau-indicator

De grasniveau-indicator geeft de hoeveelheid gemaaid gras aan.

- Zolang de grasmand nog niet vol is, zal de indicator tijdens het maaien blijven zweven.
- Wanneer de grasmand vol is, zal de indicator tijdens het maaien niet meer zweven. In dat geval stopt u onmiddellijk met maaien en leegt u de grasmand. Na het legen van de grasmand reinigt u die zo dat er weer lucht door de mazen stroomt.

**OPMERKING:** Deze indicator is slechts een grove richtlijn. Afhankelijk van de toestand binnenin de grasmand, werkt deze indicator niet altijd goed.

## Het mulch-inzetstuk gebruiken

### Optioneel accessoire

Het mulch-inzetstuk maakt het mogelijk om het maaisel naar de grond terug te voeren zonder het maaisel op te vangen in de grasmand. Wanneer u het apparaat met het mulch-inzetstuk gebruikt, moet u de grasmand verwijderen.

**KENNISGEVING:** Wanneer u de machine met het mulch-inzetstuk gebruikt, verzekert u zich ervan dat de totale lengte van het gras na het maaien 30 mm of meer is, en de maailengte 15 mm of minder is.

- **Fig.25:** (1) 30 mm of meer (2) 15 mm of minder

## BEDIENING

### Maaien

**⚠ WAARSCHUWING:** Voor het maaien verwijdert u alle takken en stenen van het te maaien terrein. Bovendien kunt u beter ook van tevoren alle onkruid uit het te maaien grasveld wieden.

**⚠ WAARSCHUWING:** Draag bij het maaien altijd een beschermende bril of een veiligheidsbril met volledig gesloten zijkantbescherming.

**⚠ LET OP:** Als het maaisel of een vreemd voorwerp zich ophoopt binnenin het maaidek, moet u eerst de contactsleutel en accu verwijderen, en handschoenen aantrekken voordat u het maaisel of vreemde voorwerp verwijdert.

**KENNISGEVING:** Gebruik deze machine alleen voor het maaien van een gazon. Maai geen onkruid met deze machine.

- **Fig.26**

Houd bij het maaien de handgreep met beide handen stevig vast.

De richtlijn voor de maaisnelheid is ongeveer 1 meter per 4 seconden.

- **Fig.27**

De buitenranden van de voorwielen kunnen worden gebruikt als richtlijn voor de maai breedte. Gebruik de buitenranden van de voorwielen als richtlijn bij het maaien in banen. Overlap elke baan met de helft of een derde van de breedte van de vorige baan om het gazon gelijkmatig te maaien.

- **Fig.28:** 1. Maai breedte 2. Overlapping  
3. Buitenrand

Verander de maairichting bij elke baan om te voorkomen dat het graspatroon in één richting wordt gevormd.

- **Fig.29**

Controleer regelmatig het gemaaid gras in de grasmand. Leeg de grasmand voordat deze vol raakt. Vóór elke periodieke inspectie dient u de grasmaaier uit te schakelen en daarna de contactsleutel en de accu te verwijderen.

**KENNISGEVING:** Als u de grasmaaier gebruikt met een volle grasmand kan het snijblad niet soepel draaien, hetgeen de motor overmatig belast, waardoor de kans op defecten toeneemt.

### Maaien van erg lang gras

Probeer niet om erg lang gras in één keer kort te maaien. Maai uw gazon liever in meerdere maaibeurten. Laat een dag of twee tussen de maaibeurten, tot uw gehele gazon gelijkmatig kort is.

**OPMERKING:** Als u erg lang gras in één keer helemaal kort maait, kan het gras afsterven. Tevens kan de binnenkant van het maaidek verstopt raken door het gemaaid gras.

## De grasmand legen

**⚠ WAARSCHUWING:** Om ongelukken te voorkomen, controleert u regelmatig de grasmand op schade of verzakking door slijtage. Vervang zo nodig de grasmand.

1. Laat de schakelhendel los.
2. Verwijder de contactsleutel.
3. Open de achterklep en verwijder de grasmand door het handvat vast te pakken.  
▶ **Fig.30:** 1. Achterklep 2. Handvat
4. Leeg de grasmand.

## ONDERHOUD

**⚠ WAARSCHUWING:** Zorg altijd dat de contactsleutel en de accu uit de grasmaaier zijn verwijderd voordat u de grasmaaier opbergt of draagt, of voordat u inspectie of onderhoud gaat verrichten.

**⚠ WAARSCHUWING:** Verwijder altijd de contactsleutel wanneer de grasmaaier niet in gebruik is. Bewaar de contactsleutel op een veilige plaats, buiten bereik van kinderen.

**⚠ WAARSCHUWING:** Draag handschoenen bij het verrichten van inspectie of onderhoud.

**⚠ WAARSCHUWING:** Draag bij het verrichten van inspectie of onderhoud altijd een beschermende bril of een veiligheidsbril met zijkappen.

**KENNISGEVING:** Gebruik nooit benzine, wasbenzine, thinner, alcohol en dergelijke. Hierdoor kunnen verkleuring, vervormingen en barsten worden veroorzaakt.

Om de VEILIGHEID en BETROUWBAARHEID van het gereedschap te handhaven, dienen alle reparaties, onderhoud of afstellingen te worden uitgevoerd bij een erkend Makita-servicecentrum of de Makita-fabriek, en altijd met gebruik van Makita-ervangingsonderdelen.

### Onderhoud

1. Verwijder de contactsleutel. Bewaar deze op een veilige plaats, buiten bereik van kinderen.
2. Maak uw grasmaaier schoon met slechts een natte doek. Sproei of giet geen water over de grasmaaier wanneer u die schoonmaakt.
3. Leg de grasmaaier op zijn kant en verwijder het maaisel dat zich heeft opgehoopt tegen de onderkant van het maaidek.
4. Controleer of alle moeren, bouten, knoppen, schroeven en andere bevestigingspunten stevig vast zitten.
5. Inspecteer de bewegende onderdelen op schade, defecten en slijtage. Beschadigde of ontbrekende onderdelen moeten worden gerepareerd of vervangen.

## Opslag

**⚠ WAARSCHUWING:** Voor het meedragen of opslaan van de grasmaaier, mag u de ingeklapte handgrepen niet vastpakken, maar pakt u het voorhandvat van de grasmaaier vast. Als u de ingeklapte handgrepen vastpakt, kan dat leiden tot ernstig letsel of schade aan de grasmaaier.

Alvorens u de grasmaaier opbergt, verwijdert u de accu en de contactsleutel.

Berg de grasmaaier binnenshuis op, in een koele, droge en afgesloten ruimte. Berg de grasmaaier en de accu niet op op een plaats waar de temperatuur tot 40 °C of hoger kan oplopen.

▶ **Fig.31:** 1. Voorhandvat 2. Achterhandvat

1. Draai de klemschroeven los, schuif de onderste handgreep naar weerszijden uiteen. Klap de handgreep naar voren omlaag. Houd hierbij de onderste handgreep stevig vast zodat de handgreep niet helemaal naar de andere kant van de grasmaaier omlaag valt.  
▶ **Fig.32:** 1. Klemschroef 2. Onderste handgreep

2. Draai de klemmoeren los, schuif de bovenste handgreep naar weerszijden uiteen en klap de bovenste handgreep achterover.

▶ **Fig.33:** 1. Klemmoer 2. Bovenste handgreep

3. Berg de grasmand op tussen de handgreep en de grasmaaierbehuizing.

▶ **Fig.34:** 1. Grasmand

**OPMERKING:** Wanneer u de grasmaaier rechtop zet, mag u de handgreep niet vastpakken, maar pakt u het voorhandvat van de grasmaaier vast.

## Het snijblad van de grasmaaier aanbrengen of verwijderen

**⚠ WAARSCHUWING:** Verwijder altijd eerst de contactsleutel en de accu voordat u het snijblad gaat verwijderen of aanbrengen. Als u de contactsleutel en de accu niet verwijdert, kan dat leiden tot ernstig letsel.

**⚠ WAARSCHUWING:** Nadat de schakelhendel is losgelaten, blijft het snijblad nog enkele seconden nadraaien. Voer geen enkele handeling uit voordat het snijblad volledig tot stilstand is gekomen.

**⚠ WAARSCHUWING:** Draag bij het hanteren van het snijblad altijd handschoenen.

## Het snijblad van de grasmaaier verwijderen

### Voor DLM382

1. Leg de grasmaaier zodanig op zijn zijkant dat de maaihogte-instelhendel bovenop komt.
2. Om het snijblad te blokkeren, steekt u een schroevendraaier of soortgelijk gereedschap in de opening in het maaidek.
3. Draai de bout linksom los met de sleutel.

- **Fig.35:** 1. Snijblad van de grasmaaier  
2. Schroevendraaier 3. Sleutel

4. Verwijder de bout en het snijblad in die volgorde.

- **Fig.36:** 1. Snijbladvoet 2. Snijblad van de grasmaaier 3. Bout

### Voor DLM432

1. Leg de grasmaaier zodanig op zijn zijkant dat de maaihogte-instelhendel bovenop komt.

2. Om het snijblad te blokkeren, steekt u een schroevendraaier of soortgelijk gereedschap in de opening in het maaidek.

3. Draai de bout linksom los met de sleutel.

- **Fig.37:** 1. Snijblad van de grasmaaier  
2. Schroevendraaier 3. Sleutel

4. Verwijder de bout, de buitenflens, het snijblad van de grasmaaier en de binnenflens, in die volgorde.

- **Fig.38:** 1. Binnenflens 2. Snijblad van de grasmaaier 3. Buitenflens 4. Bout

## Het snijblad van de grasmaaier monteren

Om het snijblad van de grasmaaier aan te brengen, volgt u de verwijderingsprocedure in omgekeerde volgorde.

**⚠WAARSCHUWING:** Breng het snijblad van de grasmaaier zorgvuldig aan. Het heeft een boven- en onderkant. Plaats het snijblad zodanig dat de draairichtingspijl naar buiten wijst.

**⚠WAARSCHUWING:** Draai de bout rechtsom stevig aan om het snijblad vast te zetten.

**⚠WAARSCHUWING:** Zorg ervoor dat het snijblad van de grasmaaier en alle bevestigingsdelen correct zijn aangebracht en stevig zijn vastgezet.

**⚠WAARSCHUWING:** Als u het snijblad vervangt, volgt u altijd de instructies die in deze handleiding worden gegeven.

## PROBLEMEN OPlossen

Alvorens u verzoekt om reparatie, kunt u zelf als volgt het probleem opsporen en oplossen. Als u met een probleem kampt dat in deze handleiding niet wordt beschreven, probeer dan niet het gereedschap te demonteren. Laat reparaties over aan een erkend Makita-servicecentrum, uitsluitend met gebruik van originele Makita-vervangingsonderdelen.

| Probleemomschrijving   | Waarschijnlijke oorzaak (storing)   | Oplossing   |
|--|---|---|
| De grasmaaier start niet.  | Er zijn nog niet twee volle accu's aangebracht.                                 | Breng opgeladen accu's aan.   |
|  | Probleem met de accu (onvoldoende spanning)                                     | Laad de accu op. Als het opladen geen effect heeft, vervangt u de accu. |
|  | De contactsleutel is niet ingestoken.   | Steek de contactsleutel er in.  |
| Na kortstondig gebruik stopt de motor al gauw.   | De accu is bijna leeg.  | Laad de accu op. Als het opladen geen effect heeft, vervangt u de accu. |
|  | De maaihogte is te laag.  | Vergroot de maaihogte.  |
| Het maximale motortoerental wordt niet bereikt.  | De accu is niet juist aangebracht.  | Breng de accu aan zoals beschreven in deze handleiding.                 |
|  | De accuspanning valt weg.   | Laad de accu op. Als het opladen geen effect heeft, vervangt u de accu. |
|  | Het aandrijfsysteem werkt niet goed.  | Vraag uw plaatselijke erkende servicecentrum om reparatie.              |
| Het snijblad van de grasmaaier draait niet rond:<br>⇒ stop de grasmaaier onmiddellijk! | Een vreemd voorwerp, zoals een tak, is vastgeraakt dichtbij het snijblad.       | Verwijder het vreemde voorwerp.   |
|  | Het aandrijfsysteem werkt niet goed.  | Vraag uw plaatselijke erkende servicecentrum om reparatie.              |
| Abnormale trillingen:<br>⇒ stop de grasmaaier onmiddellijk!                            | Het snijblad is niet meer gebalanceerd, of overmatig of ongelijkmatig gesleten. | Vervang het snijblad.   |

# OPTIONELE ACCESSOIRES

**⚠ LET OP:** Deze accessoires of hulpstukken worden aanbevolen voor gebruik met het Makita gereedschap dat in deze gebruiksaanwijzing is beschreven. Bij gebruik van andere accessoires of hulpstukken bestaat het gevaar van persoonlijke letsel. Gebruik de accessoires of hulpstukken uitsluitend voor hun bestemde doel.

Wenst u meer bijzonderheden over deze accessoires, neem dan contact op met het plaatselijke Makita-servicecentrum.

- Snijblad van de grasmaaier
- Mulch-inzetstuk
- Originele Makita-accu en -acculader

**OPMERKING:** Sommige items op de lijst kunnen zijn inbegrepen in de doos van het gereedschap als standaard toebehoren. Deze kunnen van land tot land verschillen.



## ESPECIFICACIONES

| Modelo:  | DLM382   | DLM432   |  |
|--|--|--|--|
| Anchura de la siega (diámetro de la cuchilla)          | 380 mm   | 430 mm   |  |
| Velocidad en vacío                                     | 3.700 min <sup>-1</sup>                        | 3.600 min <sup>-1</sup>  |  |
| Número de pieza de cuchilla de cortacésped de recambio | 191D41-2                                       | 191D43-8   |  |
| Dimensiones (La x An x Al)                             | durante la operación                           | La: 1.380 mm a 1.410 mm<br>An: 450 mm<br>Al: 985 mm a 1.005 mm | La: 1.435 mm a 1.490 mm<br>An: 460 mm<br>Al: 1.005 mm a 1.045 mm |
|  | cuando está almacenado (sin cesta para hierba) | 860 mm x 450 mm x 475 mm                                       | 865 mm x 460 mm x 475 mm   |
| Tensión nominal  | CC 36 V  |  |  |
| Peso neto  | 15,5 - 16,5 kg                                 | 16,0 - 16,9 kg   |  |

- Debido a nuestro continuado programa de investigación y desarrollo, las especificaciones aquí dadas están sujetas a cambios sin previo aviso.
- Las especificaciones pueden ser diferentes de país a país.
- El valor del peso neto incluye la combinación más liviana y la más pesada del accesorio (o accesorios) y del cartucho (o cartuchos) de batería que se especifican en el manual de instrucciones.

## Cartucho de batería y cargador aplicables

|                     |   |
|---------------------|---|
| Cartucho de batería | BL1830B / BL1840B / BL1850B / BL1860B                                 |
| Cargador            | DC18RC / DC18RD / DC18RE / DC18SD / DC18SE / DC18SF / DC18SH / DC18WC |

- Algunos de los cartuchos de batería y cargadores indicados arriba puede que no estén disponibles dependiendo de su región de residencia.


**⚠ ADVERTENCIA:** Utilice solamente los cartuchos de batería y cargadores listados arriba. La utilización de cualquier otro cartucho de batería y cargador puede ocasionar heridas y/o un incendio.


**⚠ ADVERTENCIA:** No utilice un suministro de alimentación con cable como un adaptador de batería o unidad portátil de alimentación eléctrica con esta máquina. El cable de tal suministro de alimentación puede dificultar la operación y resultar en heridas personales.


## Símbolos


A continuación se muestran los símbolos que pueden ser utilizados para el equipo. Asegúrese de que entienda su significado antes de utilizar.

 Preste cuidado y atención especiales.

 Lea el manual de instrucciones.

 Peligro; sea consciente de que salen objetos lanzados.

 La distancia entre la herramienta y los transeúntes deberá ser de 15 m por lo menos.

 No ponga nunca sus manos ni pies cerca de la cuchilla de cortacésped situada debajo del cortacésped. Las cuchillas de cortacésped siguen girando después de apagar el motor.



Retire la llave de bloqueo antes de inspeccionar, ajustar, limpiar, hacer el servicio de mantenimiento, dejar y almacenar el cortacésped.



Advertencia: Desconecte la batería antes de hacer el mantenimiento.



Nivel de potencia del sonido garantizado de acuerdo con la Directiva UE sobre ruido ambiental.



Nivel de potencia del sonido de acuerdo con el reglamento para el control de ruido en NSW, Australia



Sólo para países de la Unión Europea  
Debido a la presencia de componentes peligrosos en el equipo, el equipo eléctrico y electrónico, los acumuladores y las baterías desechados pueden tener un impacto negativo para el medioambiente y la salud humana.

¡No tire los aparatos eléctricos y electrónicos ni las baterías junto con los residuos domésticos!

De conformidad con las Directivas Europeas sobre residuos de aparatos eléctricos y electrónicos y sobre acumuladores y baterías, así como la adaptación de las mismas a la ley nacional, el equipo eléctrico, las baterías y los acumuladores desechados deberán ser almacenados por separado y trasladados a un punto distinto de recogida de desechos municipales, que cumpla con los reglamentos sobre protección medioambiental.

Esto se indica mediante el símbolo de cubo de basura tachado colocado en el equipo.

## Uso previsto

La máquina ha sido prevista para segar césped.

## Ruido

El nivel de ruido A-ponderado típico determinado de acuerdo con la norma EN IEC 62841-4-3:

| Modelo | Nivel de potencia de sonido medido ( $L_{WA}$ ) : (dB(A)) | Nivel de potencia de sonido garantizado ( $L_{WA}$ ) : (dB(A)) |
|--------|---|--|
| DLM382 | 91  | 94   |
| DLM432 | 92  | 95   |

| Modelo | Nivel de presión del sonido ( $L_{pA}$ ) : (dB (A)) | Incertidumbre para nivel de presión del sonido (K) : (dB(A)) |
|--------|---|--|
| DLM382 | 81  | 3  |
| DLM432 | 81  | 3  |

**NOTA:** El valor (o los valores) de emisión de ruido declarado ha sido medido de acuerdo con un método de prueba estándar y se puede utilizar para comparar una herramienta con otra.

**NOTA:** El valor (o valores) de emisión de ruido declarado también se puede utilizar en una valoración preliminar de exposición.

**⚠ADVERTENCIA:** Póngase protectores para oídos.

**⚠ADVERTENCIA:** La emisión de ruido durante la utilización real de la herramienta eléctrica puede variar del valor (o valores) total declarado dependiendo de las formas en las que la herramienta sea utilizada.

**⚠ADVERTENCIA:** Asegúrese de identificar medidas de seguridad para proteger al operario que estén basadas en una estimación de la exposición en las condiciones reales de utilización (teniendo en cuenta todas las partes del ciclo operativo como las veces cuando la herramienta está apagada y cuando está funcionando en vacío además del tiempo de gatillo).

## Vibración

El valor total de la vibración continua (suma de vectores triaxiales) determinado de acuerdo con la norma EN IEC 62841-4-3:

### Modelo DLM382

Emisión de vibración ( $a_h$ ) : 2,5 m/s<sup>2</sup> o menos  
Error (K) : 2,0 m/s<sup>2</sup>

### Modelo DLM432

Emisión de vibración ( $a_h$ ) : 2,5 m/s<sup>2</sup> o menos  
Error (K) : 1,5 m/s<sup>2</sup>

**NOTA:** El valor (o los valores) total de emisión de vibración declarado ha sido medido de acuerdo con un método de prueba estándar y se puede utilizar para comparar una herramienta con otra.

**NOTA:** El valor (o los valores) total de emisión de vibración declarado también se puede utilizar en una valoración preliminar de exposición.

**⚠ADVERTENCIA:** La emisión de vibración durante la utilización real de la herramienta eléctrica puede variar del valor (o valores) total declarado dependiendo de las formas en las que la herramienta sea utilizada.

**⚠ADVERTENCIA:** Asegúrese de identificar medidas de seguridad para proteger al operario que estén basadas en una estimación de la exposición en las condiciones reales de utilización (teniendo en cuenta todas las partes del ciclo operativo como las veces cuando la herramienta está apagada y cuando está funcionando en vacío además del tiempo de gatillo).

## Declaraciones de conformidad

### Para países europeos solamente

Las declaraciones de conformidad están incluidas como Anexo A de este manual de instrucciones.

# ADVERTENCIAS DE SEGURIDAD

## Advertencias de seguridad para herramientas eléctricas en general

**⚠ADVERTENCIA** Lea todas las advertencias de seguridad, instrucciones, ilustraciones y especificaciones provistas con esta herramienta eléctrica. Si no sigue todas las instrucciones indicadas abajo, podrá resultar en una descarga eléctrica, un incendio y/o heridas graves.

## Guarde todas las advertencias e instrucciones para futuras referencias.

El término "herramienta eléctrica" en las advertencias se refiere a su herramienta eléctrica de funcionamiento con conexión a la red eléctrica (con cable) o herramienta eléctrica de funcionamiento a batería (sin cable).

## Advertencias de seguridad para la cortadora de césped

1. **No utilice la cortadora de césped en malas condiciones meteorológicas, especialmente cuando haya riesgo de relámpagos.** Esto disminuirá el riesgo de sufrir el impacto de un rayo.
2. **Inspeccione a fondo el área por si hay fauna silvestre donde se va a utilizar la cortadora de césped.** Podría herir la fauna silvestre con la cortadora de césped durante la operación.
3. **Inspeccione a fondo el área donde va a utilizar la cortadora de césped y retire todas las piedras, palos, alambres, huesos, y otros objetos extraños.** Los objetos que salen despedidos pueden ocasionar heridas personales.
4. **Antes de utilizar la cortadora de césped, siempre inspeccione visualmente para confirmar que la cuchilla y el conjunto de la cuchilla no están desgastados o dañados.** Las piezas gastadas o dañadas aumentan el riesgo de sufrir heridas.
5. **Compruebe el receptor de hierba con frecuencia por si está desgastado o deteriorado.** Un receptor de hierba desgastado o dañado puede aumentar el riesgo de heridas personales.
6. **Mantenga los protectores en su sitio. Los protectores deben estar en estado de funcionamiento y debidamente montados.** Un protector que esté flojo, dañado, o que no esté funcionando correctamente podrá resultar en heridas personales.
7. **Mantenga todas las entradas de aire de refrigeración libres de desechos.** Las entradas de aire bloqueadas y los desechos pueden resultar en recalentamiento o riesgo de incendio.
8. **Mientras esté utilizando la cortadora de césped, póngase siempre calzado antideslizante y de protección. No utilice la cortadora de**

**césped cuando esté descalzo o lleve puestas sandalias abiertas.** Esto reducirá la posibilidad de sufrir heridas en los pies por el contacto con la cuchilla en movimiento.

9. **Mientras esté utilizando la cortadora de césped, póngase siempre pantalones largos.** La piel expuesta aumentará la posibilidad de sufrir heridas por objetos que salen lanzados.
10. **No utilice la cortadora de césped para cortar hierba mojada. Camine, nunca corra.** Esto reducirá el riesgo de deslizamiento y caída, que pueden resultar en heridas personales.
11. **No utilice la cortadora de césped en cuestas excesivamente empinadas.** Esto reducirá el riesgo de la pérdida de control, deslizamiento y caída, que pueden resultar en heridas personales.
12. **Cuando trabaje en cuestas, asegúrese siempre de que pisa suelo firme, trabaje siempre a través de la cara de las cuestas, nunca hacia arriba o hacia abajo, y extrene las precauciones cuando cambie de dirección.** Esto reducirá el riesgo de la pérdida de control, deslizamiento y caída, que pueden resultar en heridas personales.
13. **Utilice mucha precaución cuando retroceda o tire de la cortadora de césped hacia usted. Sea siempre consciente de su entorno.** Esto reducirá el riesgo de tropezar durante la operación.
14. **No toque las cuchillas y otras partes en movimiento peligrosas mientras todavía están moviéndose.** Esto reducirá el riesgo de sufrir heridas por piezas en movimiento.
15. **Cuando retire material atascado o limpie la cortadora de césped, asegúrese de que todos los interruptores de alimentación están desactivados y la batería ha sido desconectada.** Una puesta en marcha inesperada de la cortadora de césped puede resultar en heridas personales graves.

## Advertencias de seguridad adicionales

### Capacitación

1. **Lea las instrucciones atentamente. Familiarícese con los controles y el uso apropiado del cortacésped.**
2. **No permita nunca que niños o gente no familiarizada con estas instrucciones utilicen el cortacésped. Los reglamentos locales pueden restringir la edad del operario.**
3. **No utilice nunca el cortacésped cuando haya gente, especialmente niños o animales domésticos cerca.**
4. **Tenga en cuenta que el operario o usuario es el responsable de los accidentes o riesgos ocasionados a otras personas o propiedades de las mismas.**

### Preparación

1. **Asegúrese de que el área está despejada de gente antes de segar. Detenga el cortacésped si entra alguien en el área.**
2. **No inserte la llave de bloqueo en el cortacésped hasta que esté listo para ser utilizado.**
3. **Tenga cuidado con los orificios, surcos, rocas,**

u otros objetos ocultos. El terreno desnivelado puede ocasionar un accidente por resbalamiento y caída. La hierba alta puede ocultar obstáculos.

4. No inserte o retire la llave de bloqueo en la lluvia.

#### Operación

1. Detenga el cortacésped y retire la llave de bloqueo, y asegúrese de que todas las piezas que se mueven se hayan parado completamente
  - siempre que vaya a dejar el cortacésped;
  - antes de retirar obstrucciones o desatascar la tolva;
  - antes de comprobar, limpiar o trabajar en el cortacésped.
2. Si el cortacésped golpea un objeto extraño, siga estos pasos:
  - Detenga el cortacésped, suelte la palanca interruptor y espere hasta que la cuchilla se haya detenido completamente.
  - Retire la llave de bloqueo y el cartucho de batería.
  - Inspeccione detenidamente el cortacésped por si tiene algún daño.
  - Reemplace la cuchilla si tiene cualquier tipo de daño. Repare cualquier daño antes de volver a poner en marcha y continuar utilizando el cortacésped.
3. Si el cortacésped comienza a vibrar anormalmente o si nota algo inusual, siga estos pasos inmediatamente:
  - Detenga el cortacésped, suelte la palanca interruptor y espere hasta que la cuchilla se haya detenido completamente.
  - Retire la llave de bloqueo y el cartucho de batería.
  - Inspeccione por si hay daños y reemplace o repare cualquier pieza dañada.
  - Compruebe si hay alguna pieza floja y apríetela.
4. No utilice nunca el cortacésped con protectores o escudos defectuosos, o sin los dispositivos de seguridad, por ejemplo, deflectores y/o la cesta para hierba, en su sitio.
5. Utilice el cortacésped solamente en luz diurna o con buena luz artificial.
6. Encienda el cortacésped con cuidado de acuerdo con las instrucciones y con los pies bien alejados de la(s) cuchilla(s).
7. Tenga cuidado de no herirse los pies y las manos con las cuchillas de cortacésped.
8. Detenga la(s) cuchilla(s) si el cortacésped tiene que ser inclinado para transportarlo cuando atraviese superficies que no sean de hierba, y cuando transporte el cortacésped hasta o desde el área donde lo utiliza.
9. No incline el cortacésped cuando vaya a encender el motor, excepto si el cortacésped tiene que ser inclinado para arrancarlo. En este caso, no lo incline más de lo absolutamente necesario y levante solamente la parte que está alejada del operario. Asegúrese siempre de que ambas manos están en la posición de operación antes de volver a poner

el cortacésped en el suelo.

10. No ponga las manos ni los pies cerca o debajo de las piezas giratorias. Manténgase alejado de la abertura de descarga en todo momento.
11. Sujete siempre firmemente el asidero.
12. No agarre las cuchillas de corte o bordes de corte expuestos cuando recoja o sujete el cortacésped.
13. Mantenga las manos y los pies alejados de las cuchillas giratorias. Precaución - Las cuchillas siguen girando por inercia después de apagar el cortacésped.
14. No intente nunca realizar ajustes de altura de corte mientras el cortacésped está en marcha si el cortacésped tiene función de ajuste de altura de corte.
15. Suelte la palanca interruptor y espere a que la cuchilla deje de girar antes de cruzar caminos de acceso, paseos, carreteras, o cualquier área cubierta con gravilla. Retire también la llave de bloqueo si deja el cortacésped, si se adelanta para recoger o retirar algo del camino, o por cualquier otra razón que pueda distraerle de lo que está haciendo.
16. No ponga en marcha el cortacésped cuando se encuentre enfrente de la abertura de descarga.
17. No dirija el material expulsado hacia alguien. Evite expulsar material contra una pared u obstrucción. El material puede rebotar hacia el operario. Detenga la cuchilla cuando cruce superficies de grava.
18. No tire del cortacésped hacia atrás a menos que sea absolutamente necesario. Cuando se vea obligado a retroceder el cortacésped desde una valla u otra obstrucción similar, mire hacia abajo y hacia atrás antes y mientras se mueve hacia atrás.
19. Apague el motor y espere hasta que la cuchilla se haya parado completamente antes de retirar el receptor de hierba. Tenga en cuenta que las cuchillas continúan moviéndose después de apagar.
20. Cuando utilice la máquina en suelo enlodado, pendiente mojada, o lugar resbaladizo, preste atención a donde pisa.
21. Evite trabajar en un entorno poco adecuado donde se espere que la fatiga del usuario aumente.
22. No utilice la máquina en mal tiempo donde la visibilidad es limitada. En caso contrario podrá ocasionar una caída u operación incorrecta debido a la poca visibilidad.
23. No sumerja la máquina en un charco.
24. Cuando se adhieran hojas mojadas o suciedad a la boca de succión (ventanilla de ventilación) debido a la lluvia, retírelas.
25. No utilice la máquina en la nieve.
26. Si la hierba cortada está mojada, es probable que se atasque dentro de la máquina. Compruebe la condición de la máquina regularmente, y retire la hierba adherida según sea necesario.
27. Cuando opere la máquina, preste atención a las tuberías y el cableado.

## Mantenimiento y almacenamiento

1. Inspeccione y haga el mantenimiento al cortacésped regularmente.
2. Mantenga todas las tuercas, pernos y tornillos apretados para asegurarse de que el equipo está en condiciones de trabajo seguras.
3. Compruebe la cesta para hierba con frecuencia por si está desgastada o deteriorada. Al almacenar, asegúrese siempre de que la cesta para hierba está vacía. Reemplace la cesta para hierba si está gastada con una de recambio nueva de fábrica por seguridad.
4. Utilice solamente las cuchillas genuinas del fabricante especificadas en este manual.
5. Tenga cuidado durante el ajuste del cortacésped para evitar pillarse los dedos entre las cuchillas que se mueven y las piezas fijas del cortacésped.
6. Compruebe el perno de montaje de la cuchilla a intervalos frecuentes para ver que está bien apretado.
7. Deje siempre que el cortacésped se enfríe antes de almacenarlo.
8. Cuando haga el mantenimiento a las cuchillas, sea consciente de que, aunque la fuente de alimentación esté apagada, las cuchillas todavía se pueden mover.
9. No retire ni manipule nunca los dispositivos de seguridad. Compruebe su correcto funcionamiento regularmente. No haga nunca nada que interfiera con la función prevista del dispositivo de seguridad ni reduzca la protección proporcionada por el dispositivo de seguridad.
10. No deje la máquina sin atender en exteriores en la lluvia.
11. No lave la máquina con agua a mucha presión.
12. Cuando vaya a lavar la máquina, asegúrese de retirar la batería y la llave de bloqueo y cerrar la tapa de la batería, y vierta agua hacia la parte inferior de la máquina en la que está colocada la cuchilla.
13. Cuando almacene la máquina, evite la luz solar directa y la lluvia, y almacénela en un lugar donde no se caliente o humedezca.
14. Realice la inspección o el mantenimiento en un lugar donde se pueda evitar la lluvia.
15. Después de utilizar la máquina, retire la suciedad adherida y seque la máquina completamente antes de almacenarla. Dependiendo de la estación del año o el área, existe el riesgo de un mal funcionamiento debido a la congelación.

## Seguridad eléctrica y de la batería

1. No abra o mutile la batería(s). El electrolito liberado es corrosivo y puede ocasionar daño a los ojos o la piel. Puede ser tóxico si se traga.
2. No cargue la batería bajo la lluvia, o en lugares mojados.
3. No cargue la batería en exteriores.
4. No maneje el cargador, incluida la clavija del cargador, y los terminales del cargador con las manos mojadas.
5. No reemplace la batería en la lluvia.
6. No moje el terminal de la batería con líquido

tal como agua, ni sumerja la batería. No deje la batería en la lluvia, ni cargue, utilice, o almacene la batería en un lugar húmedo o mojado. Si el terminal se moja o si entra líquido al interior de la batería, la batería podrá cortocircuitarse y existe el riesgo de recalentamiento, incendio, o explosión.

7. Después de retirar la batería de la máquina o el cargador, asegúrese de colocar la tapa de la batería en la batería y guárdela en un lugar seco.
8. No reemplace la batería con las manos mojadas.
9. Evite los entornos peligrosos. No utilice la máquina en lugares húmedos o mojados ni la esponja a la lluvia. La entrada de agua en la máquina aumentará el riesgo de que se produzca una descarga eléctrica.
10. Si el cartucho de batería se moja, retire el agua del interior y después límpielo con un paño seco. Seque el cartucho de batería completamente en un lugar seco antes de utilizarlo.

## GUARDE ESTAS INSTRUCCIONES.

**⚠ ADVERTENCIA:** NO deje que la comodidad o familiaridad con el producto (a base de utilizarlo repetidamente) sustituya la estricta observancia de las normas de seguridad para el producto en cuestión. El MAL USO o el no seguir las normas de seguridad establecidas en este manual de instrucciones podrá ocasionar heridas personales graves.

## Instrucciones de seguridad importantes para el cartucho de batería

1. Antes de utilizar el cartucho de batería, lea todas las instrucciones e indicaciones de precaución sobre (1) el cargador de baterías, (2) la batería, y (3) el producto con el que se utiliza la batería.
2. No desensamble ni manipule el cartucho de batería. Podrá resultar en un incendio, calor excesivo, o una explosión.
3. Si el tiempo de uso se acorta demasiado, cese la operación inmediatamente. Podría resultar en un riesgo de recalentamiento, posibles quemaduras e incluso una explosión.
4. Si entra electrólito en sus ojos, aclárelos con agua limpia y acuda a un médico inmediatamente. Existe el riesgo de poder perder la vista.
5. No cortocircuite el cartucho de batería:
  - (1) No toque los terminales con ningún material conductor.
  - (2) Evite guardar el cartucho de batería en un cajón junto con otros objetos metálicos, como clavos, monedas, etc.
  - (3) No exponga el cartucho de batería al agua ni a la lluvia.Un cortocircuito en la batería puede producir

una gran circulación de corriente, un recalentamiento, posibles quemaduras e incluso una rotura de la misma.

6. No guarde ni utilice la herramienta y el cartucho de batería en lugares donde la temperatura pueda alcanzar o exceder los 50 °C.
7. Nunca incinere el cartucho de batería incluso en el caso de que esté dañado seriamente o ya no sirva en absoluto. El cartucho de batería puede explotar si se tira al fuego.
8. No clave, corte, aplaste, lance, deje caer el cartucho de batería, ni golpee contra un objeto duro el cartucho de batería. Tal conducta podrá resultar en un incendio, calor excesivo, o una explosión.
9. No utilice una batería dañada.
10. **Las baterías de litio-ion contenidas están sujetas a los requisitos de la Legislación para Materiales Peligrosos.**  
Para transportes comerciales, p.ej., por terceras personas y agentes de transportes, se deberán observar requisitos especiales para el empaquetado y etiquetado.  
Para la preparación del artículo que se va a enviar, se requiere consultar con un experto en materiales peligrosos. Por favor, observe también la posibilidad de reglamentos nacionales más detallados.  
Cubra con cinta aislante o enmascare los contactos expuestos y empaquete la batería de tal manera que no se pueda mover alrededor dentro del embalaje.
11. **Para desechar el cartucho de batería, retírelo de la herramienta y deséchelo en un lugar seguro. Siga los reglamentos locales referentes al desecho de la batería.**
12. **Utilice las baterías solamente con los productos especificados por Makita.** La instalación de las baterías en productos no compatibles puede resultar en un incendio, calor excesivo, explosión, o fuga de electrolito.
13. **Si la herramienta no va a ser utilizada durante un periodo de tiempo largo, la batería deberá ser retirada de la herramienta.**
14. **Durante y después de la utilización, el cartucho de batería podrá acumular calor, lo cual puede ocasionar quemaduras o quemaduras de baja temperatura. Preste atención al manejo de cartuchos de batería calientes.**
15. **No toque el terminal de la herramienta inmediatamente después de utilizar, dado que puede calentarse lo suficiente como para ocasionar quemaduras.**
16. **No permita que virutas, polvo, o tierra se adhieran dentro de los terminales, orificios, y ranuras del cartucho de batería.** Esto podría ocasionar calentamiento, que coja fuego, reviente y un mal funcionamiento de la herramienta o el cartucho de batería, resultando en quemaduras o heridas personales.
17. **A menos que la herramienta pueda utilizarse cerca de cables eléctricos de alta tensión, no utilice el cartucho de batería cerca de cables eléctricos de alta tensión.** Podrá resultar en un mal funcionamiento o rotura de la herramienta o el

cartucho de batería.

18. **Mantenga la batería alejada de los niños.**

## GUARDE ESTAS INSTRUCCIONES.

**⚠PRECAUCIÓN:** Utilice solamente baterías genuinas de Makita. La utilización de baterías no genuinas de Makita, o baterías que han sido alteradas, puede resultar en una explosión de la batería ocasionando incendios, heridas personales y daños. También anulará la garantía de Makita para la herramienta y el cargador de Makita.

**⚠AVISO:** Makita no se hace responsable de ningún accidente que resulte del uso de baterías Makita no genuinas ni de baterías que hayan sido modificadas. Las baterías Makita genuinas han sido rigurosamente evaluadas para garantizar su compatibilidad con las herramientas y cargadores Makita, de acuerdo con la legislación y los estándares de seguridad aplicables.

## Consejos para alargar al máximo la vida de servicio de la batería

1. **Cargue el cartucho de batería antes de que se descargue completamente. Detenga siempre la operación y cargue el cartucho de batería cuando note menos potencia en la herramienta.**
2. **No cargue nunca un cartucho de batería que esté completamente cargado. La sobrecarga acortará la vida de servicio de la batería.**
3. **Cargue el cartucho de batería a temperatura ambiente de 10 °C - 40 °C. Si un cartucho de batería está caliente, déjelo enfriar antes de cargarlo.**
4. **Cuando no esté utilizando el cartucho de batería, retírelo de la herramienta o del cargador.**
5. **Cargue el cartucho de batería si no lo utiliza durante un periodo de tiempo prolongado (más de seis meses).**

## MONTAJE

**⚠ADVERTENCIA:** Asegúrese siempre de que la llave de bloqueo y el cartucho de batería han sido retirados antes de realizar cualquier trabajo en el cortacésped. Si no retira la llave de bloqueo y el cartucho de batería podrá resultar en graves heridas personales a causa de un arranque accidental.

**⚠ADVERTENCIA:** No ponga nunca en marcha el cortacésped a menos que esté completamente ensamblado. La utilización de la máquina en un estado parcialmente ensamblado podrá resultar en graves heridas personales a causa de un arranque accidental.



## Instalación de la tapa de la batería

**⚠ ADVERTENCIA:** No inserte la llave de bloqueo y el cartucho de batería antes de instalar la tapa de la batería. En caso contrario podrán producirse heridas graves.

Instale la tapa de la batería completamente antes de la operación. La tapa de la batería protege el cortacésped y el cartucho de batería del barro, la suciedad y el agua.

1. Coloque la tapa de la batería con los salientes en el cortacésped alineados con los orificios en la tapa de la batería.

► **Fig.1:** 1. Saliente 2. Orificio 3. Tapa de la batería

2. Coloque las manos en el medio de la tapa de la batería y presiónela.

► **Fig.2:**

3. Antes de realizar la primera operación, compruebe que el punto de pivote de la tapa de la batería está colocado debidamente. Si la tapa de la batería está instalada correctamente, no se abrirá hasta que se tire de la palanca de bloqueo de la tapa de la batería.

► **Fig.3:** 1. Punto de pivote 2. Palanca de bloqueo de la tapa de la batería

## Instalación del asidero

**AVISO:** Cuando instale los asideros, posicione los cables de forma que no sean pillados con ninguna cosa entre los asideros. Si el cable está dañado, es posible que el interruptor del cortacésped no responda.

1. Deslice ambos extremos del asidero inferior hacia dentro de las ranuras del cortacésped y después apriete los tornillos de apriete completamente.

► **Fig.4:** 1. Tornillo de apriete 2. Asidero inferior

2. Alinee los orificios para tornillos del asidero superior y asidero inferior. Sujételos con los tornillos y tuercas de apriete.

► **Fig.5:** 1. Tuerca de apriete 2. Tornillo de apriete

**NOTA:** Sujete el asidero superior firmemente de forma que no se le caiga de la mano.

3. Coloque los soportes en el asidero. Posicione el cable de suministro de alimentación como se muestra en la figura.

► **Fig.6:** 1. Soporte

## Desmontaje de la tapadera de mullidor

### Accesorio opcional

1. Abra la cubierta posterior.

► **Fig.7:** 1. Cubierta posterior

2. Sujete la tapadera de mullidor por el asidero, y después extráigala del cuerpo del cortacésped como se muestra en la figura.

► **Fig.8:** 1. Tapadera de mullidor 2. Asidero

## Montaje de la cesta para hierba

Para montar la cesta para hierba, realice los siguientes pasos.

1. Inserte el bastidor en los orificios de la cesta para hierba en un ligero ángulo sosteniendo la pinza como se muestra en la figura.

► **Fig.9:** 1. Pinza 2. Bastidor 3. Orificio

2. Abra todas las pinzas y colóquelas firmemente en el bastidor.

► **Fig.10:** 1. Pinzas

3. Apriete los dos pernos con la llave hexagonal incluida en el paquete de la máquina para sujetarlas.

► **Fig.11:** 1. Pernos 2. Llave hexagonal

## Instalación de la cesta para hierba

1. Abra la cubierta posterior.

► **Fig.12:** 1. Cubierta posterior

2. Enganche la cesta para hierba en el vástago del cuerpo del cortacésped como se muestra en la figura.

► **Fig.13:** 1. Gancho 2. Vástago 3. Cesta para hierba

## Colocación de la tapadera de mullidor

### Accesorio opcional

1. Abra la cubierta posterior, y después retire la cesta para hierba.

► **Fig.14:** 1. Cubierta posterior 2. Cesta para hierba

2. Sujete la tapadera de mullidor por el asidero, y después colóquela en el cuerpo del cortacésped como se muestra en la figura.

► **Fig.15:** 1. Tapadera de mullidor 2. Asidero



# DESCRIPCIÓN DEL FUNCIONAMIENTO

## Instalación o extracción del cartucho de batería

**⚠ PRECAUCIÓN:** Apague siempre la máquina antes de instalar o retirar el cartucho de batería.

**⚠ PRECAUCIÓN:** Asegúrese de que ha bloqueado la tapa de la batería antes de la utilización. De lo contrario, el barro, la suciedad o el agua podrán ocasionar daños a la herramienta o al cartucho de batería.

**⚠ PRECAUCIÓN:** Instale siempre el cartucho de batería completamente hasta que no pueda verse el indicador rojo. En caso contrario, podrá caerse accidentalmente de la máquina y ocasionarle heridas a usted o a alguien alrededor de usted.

**⚠ PRECAUCIÓN:** No instale el cartucho de batería empleando fuerza. Si el cartucho no se desliza al interior fácilmente, será porque no está siendo insertado correctamente.

**NOTA:** La máquina no funciona con un cartucho de batería solamente.

### Para instalar el cartucho de batería;

1. Deslice la palanca de bloqueo de la tapa de la batería y abra la tapa de la batería.  
▶ **Fig.16:** 1. Tapa de la batería 2. Palanca de bloqueo de la tapa de la batería
2. Alinee la lengüeta del cartucho de batería con la ranura en el cortacésped y después deslice el cartucho hasta que se bloquee en su sitio con un pequeño chasquido.  
▶ **Fig.17:** 1. Cartucho de batería
3. Inserte la llave de bloqueo en el lugar mostrado en la figura a tope.  
▶ **Fig.18:** 1. Llave de bloqueo
4. Cierre la tapa de la batería y presiónela hasta que se quede trincada con la palanca de bloqueo.

### Para retirar el cartucho de batería del cortacésped;

1. Deslice la palanca de bloqueo de la tapa de la batería y abra la tapa de la batería.
2. Saque el cartucho de batería del cortacésped mientras desliza el botón de la parte frontal del cartucho.
3. Saque la llave de bloqueo.
4. Cierre la tapa de la batería.

## Sistema de protección de la máquina/batería

La máquina está equipada con un sistema de protección de la máquina/batería. Este sistema corta automáticamente la alimentación del motor para alargar la vida útil de la herramienta y la batería. La máquina se detendrá automáticamente durante la operación si la

máquina o la batería es puesta en una de las condiciones siguientes.

## Protección contra sobrecarga

Cuando la máquina sea operada de manera que le haga absorber una corriente anormalmente alta, la máquina se parará automáticamente sin ninguna indicación. En esta situación, apague la máquina y detenga la tarea que ocasiona la sobrecarga de la máquina. Después encienda la máquina para volver a empezar.

## Protección contra el recalentamiento

Cuando la máquina se recalienta, la máquina se detiene automáticamente. Deje que la máquina se enfríe antes de encenderla otra vez.

## Protección contra descarga excesiva

Cuando la capacidad de batería sea baja, la máquina se detendrá automáticamente. Si el producto no funciona aun cuando los interruptores sean accionados, retire las baterías de la máquina y cárguelas.

## Modo de indicar la capacidad de batería restante

▶ **Fig.19:** 1. Indicador de batería



















Cuando la capacidad de batería restante se vuelve baja, el indicador de batería parpadea en el lado de la batería aplicable. Si se sigue utilizando, la máquina se detendrá y el indicador de batería se iluminará. En esta situación, cargue el cartucho de batería.




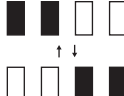
## Modo de indicar la capacidad de batería restante

**Solamente para cartuchos de batería con el indicador**

Presione el botón de comprobación en el cartucho de batería para indicar la capacidad de batería restante. Las lámparas indicadoras se iluminan durante unos pocos segundos.

▶ **Fig.20:** 1. Lámparas indicadoras 2. Botón de comprobación

| Lámparas indicadoras  |   |   | Capacidad restante |
|---|---|---|--------------------|
|  Iluminada |  Apagada |  Parpadeando |                    |
|            |          |              | 75% a 100%         |
|            |          |              | 50% a 75%          |
|            |          |              | 25% a 50%          |
|            |          |              | 0% a 25%           |
|            |          |              | Cargue la batería. |

| Lámparas indicadoras  |  |  | Capacidad restante                             |
|---|--|--|--|
|   |  |  |  |
| Iluminada   | Apagada  | Parpadeando  |  |
|  |  |  | Puede que la batería no esté funcionando bien. |

**NOTA:** Dependiendo de las condiciones de utilización y de la temperatura ambiente, la indicación podrá variar ligeramente de la capacidad real.

**NOTA:** La primera lámpara indicadora (extremo izquierdo) parpadeará cuando el sistema de protección de la batería esté funcionando.

## Accionamiento del interruptor

**ADVERTENCIA:** Antes de instalar el cartucho de batería, compruebe siempre para cerciorarse de que la palanca interruptor se acciona debidamente y que vuelve a la posición original cuando la suelta. La utilización de una máquina con un interruptor que no se acciona debidamente puede dar lugar a la pérdida de control y graves heridas personales.

**NOTA:** El cortacésped no se pone en marcha sin apretar el botón interruptor aunque se apriete la palanca interruptor.

**NOTA:** Es posible que el cortacésped no se ponga en marcha debido a la sobrecarga cuando usted intente segar hierba larga o densa de una vez. En este caso aumente la altura de siega.

Este cortacésped está equipado con un interruptor de enclavamiento e interruptor de asidero. Si nota algo inusual con cualquiera de estos interruptores, detenga la operación inmediatamente y haga que se los comprueben en el centro de servicio autorizado Makita más cercano.

1. Instale los cartuchos de batería. Inserte la llave de bloqueo en el interruptor de enclavamiento y después cierre la tapa de la batería.

► **Fig.21:** 1. Cartucho de batería 2. Llave de bloqueo

2. Presione el botón interruptor para sujetarlo.

3. Agarre el asidero superior y apriete la palanca interruptor.

► **Fig.22:** 1. Botón interruptor 2. Palanca interruptor

4. Suelte el botón interruptor tan pronto como el motor se ponga en marcha. El cortacésped continuará en marcha hasta que suelte la palanca interruptor.

5. Suelte la palanca interruptor para parar el motor.

## Ajuste de la altura de siega

**ADVERTENCIA:** No ponga nunca su mano o pierna debajo del cuerpo del cortacésped cuando ajuste la altura de siega.

**ADVERTENCIA:** Asegúrese siempre de que la palanca encaja en la ranura debidamente antes de la operación.

La altura de siega se puede ajustar en el rango de entre 20 mm y 75 mm.

1. Retire la llave de bloqueo.

2. Tire de la palanca de ajuste de la altura de siega hacia afuera del cuerpo del cortacésped y muévala hasta la altura de siega que quiera.

► **Fig.23:** 1. Palanca de ajuste de la altura de siega

**NOTA:** Las cifras de altura de siega deben ser utilizadas solamente como guía. Dependiendo de las condiciones del césped o el suelo, la altura real del césped podrá ser ligeramente diferente de la altura ajustada.

**NOTA:** Realice una prueba segando hierba en un lugar menos notorio para obtener la altura deseada.

## Indicador del nivel de la hierba

► **Fig.24:** 1. Indicador del nivel de la hierba

El indicador del nivel de la hierba muestra el volumen de la hierba segada.

- Cuando la cesta para hierba no está llena, el indicador flota durante la siega.
- Cuando la cesta para hierba está llena, el indicador no flota durante la siega. En este caso, detenga la siega inmediatamente y vacíe la cesta. Después de vaciar la cesta, límpiela de forma que su malla ventile el aire.

**NOTA:** Este indicador es una guía aproximada. Dependiendo de las condiciones del interior de la cesta, este indicador puede no funcionar debidamente.

## Utilización de la tapadera de mullidor

### Accesorio opcional

La tapadera de mullidor le permite devolver la hierba cortada al suelo sin recogerla en la cesta para hierba. Cuando utilice la máquina con la tapadera de mullidor, asegúrese de retirar la cesta para hierba.

**AVISO:** Cuando utilice la máquina con la tapadera de mullidor, asegúrese de que la longitud total de la hierba después de cortar es de 30 mm o más, y que la longitud cortada es de 15 mm o menos.

► **Fig.25:** (1) 30 mm o más (2) 15 mm o menos

# OPERACIÓN

## Siega

**⚠ADVERTENCIA:** Antes de segar, retire los palos y piedras del área de la siega. Además, retire cualquier maleza del área de la siega de antemano.

**⚠ADVERTENCIA:** Póngase siempre gafas de seguridad o gafas de protección con escudos laterales cuando utilice el cortacésped.

**⚠PRECAUCIÓN:** Si la hierba cortada o un objeto extraño bloquea el interior del cuerpo del cortacésped, asegúrese de retirar la llave de bloqueo y el cartucho de batería y de ponerse guantes antes de retirar la hierba u objeto extraño.

**AVISO:** Utilice esta máquina solamente para segar césped. No siegue maleza con esta máquina.

► Fig.26

Sujete firmemente el asidero con ambas manos cuando siegue.

La pauta de la velocidad de segado es aproximadamente 1 metro por 4 segundos.

► Fig.27

Los bordes exteriores de las ruedas delanteras sirven de guías para la anchura de segado. Utilizando los bordes exteriores de las ruedas delanteras como guías, siegue en franjas. Solape la mitad o un tercio de la franja anterior para segar el césped uniformemente.

► Fig.28: 1. Anchura de segado 2. Área de solapamiento 3. Borde exterior

Cambie la dirección del segado cada vez para evitar que el patrón de crecimiento de la hierba se forme en una dirección solamente.

► Fig.29

Compruebe periódicamente la cesta para hierba para ver la hierba segada. Vacíe la cesta para hierba antes de que se llene. Antes de cada comprobación periódica, asegúrese de parar el cortacésped y después retirar la llave de bloqueo y el cartucho de batería.

**AVISO:** La utilización del cortacésped con la cesta para hierba llena impide el giro uniforme de la cuchilla y añade una carga extra al motor, que puede ocasionar una avería.

## Siega de un césped largo

No intente cortar hierba larga de una sola vez. En su lugar, siegue el césped en varias pasadas. Deje un día o dos entre las siegas, hasta que el césped esté uniformemente corto.

**NOTA:** El segar hierba larga a una longitud corta de una sola vez puede ocasionar que la hierba se muera. La hierba cortada también podrá bloquear el interior del cuerpo del cortacésped.

## Vaciado de la cesta para hierba

**⚠ADVERTENCIA:** Para reducir el riesgo de un accidente, compruebe regularmente la cesta para hierba por si tiene algún daño o resistencia debilitada. Reemplace la cesta para hierba si es necesario.

1. Suelte la palanca interruptor.
2. Retire la llave de bloqueo.
3. Abra la cubierta posterior y extraiga la cesta para hierba sujetando el mango.  
► Fig.30: 1. Cubierta posterior 2. Asidero
4. Vacíe la cesta para hierba.

## MANTENIMIENTO

**⚠ADVERTENCIA:** Asegúrese siempre de que la llave de bloqueo y el cartucho de batería han sido retirados del cortacésped antes de almacenar o transportar el cortacésped o intentar realizar la inspección o el mantenimiento.

**⚠ADVERTENCIA:** Retire siempre la llave de bloqueo cuando el cortacésped no esté siendo utilizado. Almacene la llave de bloqueo en un lugar seguro fuera del alcance de los niños.

**⚠ADVERTENCIA:** Póngase guantes cuando realice la inspección o el mantenimiento.

**⚠ADVERTENCIA:** Póngase siempre gafas de seguridad o gafas de protección con escudos laterales cuando realice la inspección o el mantenimiento.

**AVISO:** No utilice nunca gasolina, bencina, disolvente, alcohol o similares. Podría producir descoloración, deformación o grietas.

Para mantener la SEGURIDAD y FIABILIDAD del producto, las reparaciones, y cualquier otra tarea de mantenimiento o ajuste deberán ser realizadas en centros de servicio o de fábrica autorizados por Makita, empleando siempre repuestos Makita.

## Mantenimiento

1. Retire la llave de bloqueo. Almacénela en un lugar seguro fuera del alcance de los niños.
2. Limpie el cortacésped utilizando solamente un paño humedecido. No pulverice ni vierta agua sobre el cortacésped cuando lo limpie.
3. Ponga el cortacésped sobre su costado y limpie los recortes de hierba acumulados en la parte inferior del bastidor del cortacésped.
4. Compruebe todas las tuercas, pernos, pomos, tornillos, sujetadores, etc. para ver que están bien apretados.
5. Inspeccione las piezas que se mueven para ver si están dañadas, rotas, y gastadas. Las partes dañadas o perdidas deberán ser reparadas o reemplazadas.

## Almacenamiento

**⚠ADVERTENCIA:** Cuando transporte o almacene el cortacésped, no sujete por los asideros plegados sino por la empuñadura delantera del cortacésped. Si sujeta por los asideros plegados podrá ocasionar una herida grave o daños al cortacésped.

Antes de almacenar el cortacésped, retire el cartucho de batería y la llave de bloqueo.

Almacéne el cortacésped en interiores en un lugar fresco, seco y cerrado con llave. No almacene el cortacésped y el cargador en lugares donde la temperatura pueda alcanzar o exceder los 40 °C.

► **Fig.31:** 1. Empuñadura delantera 2. Empuñadura trasera

1. Afloje los tornillos de apriete y expanda el asidero inferior a ambos lados. Baje el asidero hacia adelante. Ahora, empuñe el asidero inferior firmemente de forma que el asidero no caiga en el lado alejado del cuerpo del cortacésped.

► **Fig.32:** 1. Tornillo de apriete 2. Asidero inferior

2. Afloje las tuercas de apriete y pivote el asidero superior hacia atrás mientras expande ambos lados.

► **Fig.33:** 1. Tuerca de apriete 2. Asidero superior

3. Almacene la cesta para hierba entre el asidero y el cuerpo del cortacésped.

► **Fig.34:** 1. Cesta para hierba

**NOTA:** Cuando ponga el cortacésped en posición vertical, no sujete por el asidero sino que utilice la empuñadura delantera del cortacésped.

## Desmontaje o instalación de la cuchilla de cortacésped

**⚠ADVERTENCIA:** Retire siempre la llave de bloqueo y el cartucho de batería cuando vaya a desmontar o instalar la cuchilla. Si no retira la llave de bloqueo y el cartucho de batería podrá ocasionar una herida grave.

**⚠ADVERTENCIA:** La cuchilla sigue girando por inercia durante unos cuantos segundos después de soltar el interruptor. No comience ninguna operación hasta que la cuchilla se haya detenido completamente.

**⚠ADVERTENCIA:** Póngase siempre guantes cuando maneje la cuchilla.

## Desmontaje de la cuchilla de cortacésped

### Para DLM382

1. Ponga el cortacésped sobre su costado de forma que la palanca de ajuste de la altura de siega quede en el lado superior.

2. Para bloquear el giro de la cuchilla, inserte un destornillador o herramienta similar en un orificio del cuerpo del cortacésped.

3. Gire el perno hacia la izquierda con la llave.

► **Fig.35:** 1. Cuchilla de cortacésped 2. Destornillador 3. Llave

4. Retire el perno y la cuchilla en orden.

► **Fig.36:** 1. Soporte de la cuchilla 2. Cuchilla de cortacésped 3. Perno

### Para DLM432

1. Ponga el cortacésped sobre su costado de forma que la palanca de ajuste de la altura de siega quede en el lado superior.

2. Para bloquear el giro de la cuchilla, inserte un destornillador o herramienta similar en un orificio del cuerpo del cortacésped.

3. Gire el perno hacia la izquierda con la llave.

► **Fig.37:** 1. Cuchilla de cortacésped 2. Destornillador 3. Llave

4. Retire el perno, la brida exterior, la cuchilla de cortacésped, y la brida interior en orden.

► **Fig.38:** 1. Brida interior 2. Cuchilla de cortacésped 3. Brida exterior 4. Perno

## Instalación de la cuchilla de cortacésped

Para instalar la cuchilla de cortacésped, siga el procedimiento de desmontaje a la inversa.

**⚠ADVERTENCIA:** Instale la cuchilla de cortacésped con cuidado. Ésta tiene una orientación hacia arriba/abajo. Ponga la cuchilla de forma que la flecha de dirección de giro quede orientada hacia afuera.

**⚠ADVERTENCIA:** Apriete el perno girándolo hacia la derecha firmemente para sujetar la cuchilla.

**⚠ADVERTENCIA:** Asegúrese de que la cuchilla de cortacésped y todas las partes de fijación están instaladas correctamente y apretadas firmemente.

**⚠ADVERTENCIA:** Cuando reemplace las cuchillas, siga siempre las instrucciones provistas en este manual.

## SOLUCIÓN DE PROBLEMAS

Antes de solicitar reparaciones, realice su propia inspección en primer lugar. Si encuentra un problema que no está explicado en el manual, no intente desmontar la herramienta. En su lugar, pregunte en los centros de servicio

autorizados Makita, utilizando siempre piezas de recambio Makita para las reparaciones.

| Estado de anomalía   | Causa probable (mal funcionamiento)  | Remedio   |
|--|--|---|
| El cortacésped no se pone en marcha.   | No hay instalados dos cartuchos de batería.                                | Instale los cartuchos de batería cargados.  |
|  | Problema de batería (poca tensión)   | Recargue el cartucho de batería. Si la recarga no se realiza efectivamente, reemplace el cartucho de batería. |
|  | La llave de bloqueo no está insertada.                                     | Inserte la llave de bloqueo.  |
| El motor se para después de usarlo un poco.                                      | El nivel de carga de la batería es bajo.                                   | Recargue el cartucho de batería. Si la recarga no se realiza efectivamente, reemplace el cartucho de batería. |
|  | La altura de corte es muy baja.  | Aumente la altura de corte.   |
| El motor no alcanza el máximo de RPM.  | El cartucho de batería está instalado incorrectamente.                     | Instale el cartucho de batería como se describe en este manual.   |
|  | La potencia de la batería está cayendo.                                    | Recargue el cartucho de batería. Si la recarga no se realiza efectivamente, reemplace el cartucho de batería. |
|  | El sistema de accionamiento no funciona correctamente.                     | Pida a su centro de servicio autorizado local que se lo reparen.  |
| La cuchilla de cortacésped no gira:<br>⇒ ¡detenga el cortacésped inmediatamente! | Se han atascado objetos extraños tales como una rama cerca de la cuchilla. | Retire el objeto extraño.   |
|  | El sistema de accionamiento no funciona correctamente.                     | Pida a su centro de servicio autorizado local que se lo reparen.  |
| Vibración anormal:<br>⇒ ¡detenga el cortacésped inmediatamente!                  | La cuchilla está desequilibrada, excesivamente o desigualmente gastada.    | Reemplace la cuchilla.  |

## ACCESORIOS OPCIONALES

**⚠PRECAUCIÓN:** Estos accesorios o aditamentos están recomendados para su uso con la herramienta Makita especificada en este manual.

El uso de cualquier otro accesorio o aditamento puede suponer un riesgo de heridas personales. Utilice el accesorio o aditamento solamente con la finalidad indicada para el mismo.

Si necesita cualquier ayuda para más detalles en relación con estos accesorios, pregunte al centro de servicio Makita local.

- Cuchilla de cortacésped
- Tapadera de mullidor
- Batería y cargador genuinos de Makita

**NOTA:** Algunos elementos de la lista podrán estar incluidos en el paquete de la herramienta como accesorios estándar. Pueden variar de un país a otro.

## ESPECIFICAÇÕES

| Modelo:   |   | DLM382  | DLM432  |
|---|---|---|---|
| Largura do corte de relva (diâmetro da lâmina)              |   | 380 mm  | 430 mm  |
| Velocidade em vazio   |   | 3.700 min <sup>-1</sup>                                     | 3.600 min <sup>-1</sup>                                       |
| Número de peça da lâmina do cortador de relva sobresselente |   | 191D41-2  | 191D43-8  |
| Dimensões<br>(C x L x A)                                    | durante a operação                          | C: 1.380 mm a 1.410 mm<br>L: 450 mm<br>A: 985 mm a 1.005 mm | C: 1.435 mm a 1.490 mm<br>L: 460 mm<br>A: 1.005 mm a 1.045 mm |
|   | quando armazenado<br>(sem coletor de relva) | 860 mm x 450 mm x 475 mm                                    | 865 mm x 460 mm x 475 mm                                      |
| Tensão nominal  |   | C.C. 36 V   |   |
| Peso líquido  |   | 15,5 - 16,5 kg  | 16,0 - 16,9 kg  |

- Devido a um programa contínuo de pesquisa e desenvolvimento, estas especificações estão sujeitas a alteração sem aviso prévio.
- As especificações podem variar de país para país.
- O valor do peso líquido inclui a combinação mais leve e mais pesada do(s) acessório(s) e da(s) bateria(s) que estão especificados no manual de instruções.

## Bateria e carregador aplicável

|            |   |
|------------|---|
| Bateria    | BL1830B / BL1840B / BL1850B / BL1860B                                 |
| Carregador | DC18RC / DC18RD / DC18RE / DC18SD / DC18SE / DC18SF / DC18SH / DC18WC |


- Algumas das baterias e carregadores listados acima poderão não estar disponíveis, dependendo da sua região de residência.


**⚠ AVISO:** Utilize apenas as baterias e carregadores listados acima. A utilização de quaisquer outras baterias e carregadores pode causar ferimentos e/ou um incêndio.


**⚠ AVISO:** Não utilize uma fonte de alimentação com fio como um adaptador da bateria ou adaptador de baterias tipo mochila com esta máquina. O cabo de tal fonte de alimentação pode impedir a operação e resultar em ferimentos pessoais.


## Símbolos


A seguir são apresentados os símbolos que podem ser utilizados para o equipamento. Certifique-se de que compreende o seu significado antes da utilização.


 Tenha especial cuidado e atenção.


 Leia o manual de instruções.


 Perigo; cuidado com os objetos arremessados.


 Deve-se manter uma distância de pelo menos 15 m entre a ferramenta e os espectadores.

 Nunca aproxime as mãos e os pés da lâmina do cortador de relva em baixo do cortador de relva. As lâminas do cortador de relva continuam a rodar depois de desligar o motor.

 Remova a chave de segurança antes de realizar qualquer inspeção, ajuste, limpeza ou manutenção e antes de sair de ao pé do cortador de relva ou quando o armazenar.

 Aviso; desligue a bateria antes da manutenção.

 Nível de potência sonora garantido de acordo com a Diretiva de ruído ambiente da UE.

 Nível de potência sonora de acordo com o Regulamento de controlo do ruído de NSW da Austrália



Apenas para países da UE  
Devido à presença de componentes perigosos no equipamento, os resíduos de equipamentos elétricos e eletrônicos, acumuladores e baterias podem ter um impacto negativo no meio ambiente e na saúde humana.  
Não elimine aparelhos elétricos e eletrônicos ou baterias juntamente com resíduos domésticos!  
De acordo com a Diretiva europeia relativa aos resíduos de equipamentos elétricos e eletrônicos, acumuladores e baterias, bem como a respetiva adaptação à legislação nacional, os resíduos de equipamentos elétricos e eletrônicos, acumuladores e baterias devem ser armazenados separadamente e entregues num ponto de recolha separado para resíduos municipais, que opere de acordo com os regulamentos de proteção ambiental.  
Tal é indicado pelo símbolo de contentor de lixo com rodas barrado com uma cruz colocado no equipamento.

## Utilização a que se destina

A máquina serve para cortar a relva.

## Ruído

A característica do nível de ruído A determinado de acordo com a EN IEC 62841-4-3:

| Modelo | Nível medido de potência sonora ( $L_{WA}$ ): (dB(A)) | Nível garantido de potência sonora ( $L_{WA}$ ): (dB(A)) |
|--------|---|--|
| DLM382 | 91  | 94   |
| DLM432 | 92  | 95   |

| Modelo | Nível de pressão sonora ( $L_{pA}$ ): (dB(A)) | Incerteza para nível de pressão sonora (K): (dB(A)) |
|--------|---|---|
| DLM382 | 81  | 3   |
| DLM432 | 81  | 3   |

**NOTA:** O(s) valor(es) da emissão de ruído indicado(s) foi medido de acordo com um método de teste padrão e pode ser utilizado para comparar duas ferramentas.

**NOTA:** O(s) valor(es) da emissão de ruído indicado(s) pode(m) também ser utilizado(s) numa avaliação preliminar da exposição.

**AVISO:** Utilize protetores auriculares.

**AVISO:** A emissão de ruído durante a utilização real da ferramenta elétrica pode diferir do(s) valor(es) total(ais) indicado(s), dependendo das formas em que a ferramenta é utilizada.

**AVISO:** Certifique-se de identificar as medidas de segurança para proteção do operador que sejam baseadas em uma estimativa de exposição em condições reais de utilização (considerando todas as partes do ciclo de operação, tal como quando a ferramenta está desligada e quando está a funcionar em marcha lenta além do tempo de acionamento).

## Vibração

O valor total da vibração contínua (soma do vetor triaxial) determinado de acordo com a EN IEC 62841-4-3:

### Modelo DLM382

Emissão de vibração ( $a_h$ ): 2,5 m/s<sup>2</sup> ou menos  
Variabilidade (K): 2,0 m/s<sup>2</sup>

### Modelo DLM432

Emissão de vibração ( $a_h$ ): 2,5 m/s<sup>2</sup> ou menos  
Variabilidade (K): 1,5 m/s<sup>2</sup>

**NOTA:** O(s) valor(es) total(ais) de vibração indicado(s) foi medido de acordo com um método de teste padrão e pode ser utilizado para comparar duas ferramentas.

**NOTA:** O(s) valor(es) total(ais) de vibração indicado(s) pode(m) também ser utilizado(s) numa avaliação preliminar da exposição.

**AVISO:** A emissão de vibração durante a utilização real da ferramenta elétrica pode diferir do(s) valor(es) total(ais) indicado(s), dependendo das formas em que a ferramenta é utilizada.

**AVISO:** Certifique-se de identificar as medidas de segurança para proteção do operador que sejam baseadas em uma estimativa de exposição em condições reais de utilização (considerando todas as partes do ciclo de operação, tal como quando a ferramenta está desligada e quando está a funcionar em marcha lenta além do tempo de acionamento).

## Declarações de conformidade

### Apenas para os países europeus

As Declarações de conformidade estão incluídas no Anexo A deste manual de instruções.

## AVISOS DE SEGURANÇA

### Avisos gerais de segurança para ferramentas elétricas

**AVISO** Leia todos os avisos de segurança, instruções, ilustrações e especificações fornecidos com esta ferramenta elétrica. O incumprimento de todas as instruções abaixo enumeradas pode resultar em choque elétrico, incêndio e/ou ferimentos graves.

### Guarde todos os avisos e instruções para futuras referências.

O termo "ferramenta elétrica" nos avisos refere-se às ferramentas elétricas ligadas à corrente elétrica (com cabo) ou às ferramentas elétricas operadas por meio de bateria (sem cabo).



## Avisos de segurança da cortadora de grama a bateria

1. **Não utilize o cortador de relva em más condições atmosféricas, especialmente quando existe o risco de relâmpagos.** Isto reduz o risco de ser atingido por um relâmpago.
2. **Inspecione cuidadosamente a área quanto a fauna selvagem na qual o cortador de relva tem de ser utilizado.** A fauna selvagem poderá ser ferida pelo cortador de relva durante o funcionamento.
3. **Inspecione cuidadosamente a área na qual o cortador de relva tem de ser utilizado e remova todas as pedras, paus, fios, ossos e outros objetos estranhos.** Os objetos projetados podem causar ferimentos pessoais.
4. **Antes de utilizar o cortador de relva, inspecione sempre visualmente para verificar se a lâmina e o conjunto da lâmina não estão desgastados ou danificados.** As peças desgastadas ou danificadas aumentam o risco de ferimentos.
5. **Verifique o coletor de relva frequentemente para ver se apresenta desgaste ou deterioração.** Um coletor de relva desgastado ou danificado pode aumentar o risco de ferimentos pessoais.
6. **Mantenha os resguardos devidamente instalados. Os resguardos devem estar em bom estado e devidamente instalados.** Um resguardo solto, danificado ou que não esteja a funcionar corretamente pode resultar em ferimentos corporais.
7. **Mantenha todas as entradas de ar de arrefecimento livres de resíduos.** As entradas de ar bloqueadas e os detritos podem resultar em sobreaquecimento ou risco de incêndio.
8. **Use sempre calçado antiderrapante e de proteção enquanto utiliza o cortador de relva. Não utilize o cortador de relva se estiver descalço ou calçando sandálias abertas.** Isto reduz a possibilidade de ferimentos nos pés resultante do contacto com a lâmina móvel.
9. **Use sempre calças compridas enquanto utiliza o cortador de relva.** A pele exposta aumenta a probabilidade de ferimentos resultantes de objetos projetados.
10. **Não utilize o cortador de relva em erva molhada. Caminhe, nunca corra.** Isto reduz o risco de deslizamento e queda que podem resultar em lesões físicas.
11. **Não utilize o cortador de relva em terrenos excessivamente íngremes.** Isto reduz o risco de perda de controlo, deslizamento e queda que podem resultar em lesões físicas.
12. **Quando estiver a trabalhar em declives, certifique-se sempre onde posiciona os pés, trabalhe sempre em toda a face dos declives, nunca para cima ou para baixo e exerça de extremo cuidado quando mudar de direção.** Isto reduz o risco de perda de controlo, deslizamento e queda que podem resultar em lesões físicas.
13. **Tenha muito cuidado quando inverter ou puxar o cortador de relva na sua direção. Esteja**

sempre ciente da área circundante. Isto reduz o risco de tropeçamento durante o funcionamento.

14. **Não toque nas lâminas e noutras peças móveis perigosas enquanto ainda estiverem em movimento.** Isto reduz o risco de ferimentos causados por peças móveis.
15. **Quando desimpedir material encravado ou realizar a limpeza do cortador de relva, certifique-se de que todos os interruptores de alimentação estão desligados e que o conjunto de baterias está desligado.** O funcionamento inesperado do cortador de relva pode resultar em ferimentos corporais graves.

## Avisos de segurança adicionais

### Formação

1. **Leia atentamente as instruções. Familiarize-se com os controlos e a utilização adequada do cortador de relva.**
2. **Nunca permita que crianças nem pessoas não familiarizadas com estas instruções utilizem o cortador de relva. A idade do operador pode ser restringida de acordo com os regulamentos locais.**
3. **Nunca utilize o cortador de relva se as pessoas, especialmente crianças, ou animais estiverem por perto.**
4. **Lembre-se de que o operador ou utilizador é responsável por acidentes ou riscos que ocorram a outras pessoas ou que danifiquem a propriedade alheia.**

### Preparação

1. **Certifique-se de que não há outras pessoas na área antes de cortar a relva. Pare o cortador de relva se alguém entrar na área.**
2. **Não insira a chave de segurança no cortador de relva antes de estar pronto a ser utilizado.**
3. **Esteja atento a orifícios, sulcos, colisões, rochas ou outros objetos ocultos.** O terreno irregular pode provocar um acidente de escorregamento e queda. A relva alta pode ocultar obstáculos.
4. **Não insira ou remova a chave de segurança à chuva.**

### Operação

1. **Pare o cortador de relva e remova a chave de segurança, e assegure que todas as peças móveis pararam completamente**
  - sempre que se afastar do cortador de relva;
  - antes de limpar bloqueios ou desentupir a calha de descarga;
  - antes de verificar, limpar ou trabalhar no cortador de relva.
2. **Se o cortador de relva bater num objeto estranho, siga os passos abaixo:**
  - Pare o cortador de relva, liberte a alavanca do interruptor e aguarde até a lâmina parar completamente.
  - Retire a chave de segurança e a bateria.
  - Inspecione cuidadosamente o cortador de relva para ver se apresenta algum dano.

- Substitua a lâmina se estiver danificada de alguma forma. Repare qualquer dano antes de reiniciar e continuar a utilizar o cortador de relva.
3. Se o cortador de relva começar a vibrar de forma anormal ou se observar algo fora do normal, siga estes passos de imediato:
    - Pare o cortador de relva, liberte a alavanca do interruptor e aguarde até a lâmina parar completamente.
    - Retire a chave de segurança e a bateria.
    - Inspeccione quanto a danos e substitua ou repare quaisquer peças danificadas.
    - Verifique se existem algumas peças soltas e aperte-as.
  4. Nunca opere o cortador de relva com resguardos ou protetores defeituosos ou sem os dispositivos de segurança instalados, por exemplo, os defletores e/ou o coletor de relva.
  5. Opere o cortador de relva só durante o dia ou com boa iluminação artificial.
  6. Ligue cuidadosamente o cortador de relva, de acordo com as instruções e com os pés bem afastados da(s) lâmina(s).
  7. Previna-se contra ferimentos nos pés e nas mãos provocados pelas lâminas do cortador de relva.
  8. Pare a(s) lâmina(s) se tiver de inclinar o cortador de relva para o transportar quando cruzar áreas não relvadas e quando transportar o cortador de relva de e para a área onde será utilizado.
  9. Não incline o cortador de relva quando ligar o motor, a menos que tenha de inclinar o cortador de relva para o ligar. Neste caso, não o incline mais do que o necessário e levante apenas a parte que está afastada do operador. Assegure sempre que tem as duas mãos na posição operacional antes de voltar a colocar o cortador de relva no chão.
  10. Não ponha as mãos ou pés perto nem debaixo das peças rotativas. Mantenha-se sempre afastado da abertura de descarga.
  11. Segure o guiador sempre com firmeza.
  12. Não agarre nas lâminas de corte expostas nem nos bordos cortantes quando levantar ou segurar o cortador de relva.
  13. Mantenha as mãos e os pés afastados das lâminas rotativas. Precaução - As lâminas continuam a rodar depois de desligar o cortador de relva.
  14. Nunca tente fazer ajustes na altura de corte enquanto o cortador de relva está em funcionamento se o cortador de relva dispuser da funcionalidade de ajuste da altura de corte.
  15. Liberte a alavanca do interruptor e espere que a lâmina pare de rodar antes de atravessar zonas pavimentadas, passeios, ruas ou qualquer área com gravilha. Retire também a chave de segurança quando se afastar do cortador de relva, quando se esticar para apanhar ou remover qualquer objeto do caminho ou por qualquer outro motivo que possa distraí-lo do que está a fazer.
  16. Não ligue o cortador de relva quando estiver em frente da abertura de descarga.
  17. Nunca aponte o material descarregado na direção de outras pessoas. Evite descarregar material contra uma parede ou obstrução. O material pode fazer ricochete de volta na direção do operador. Pare a lâmina quando cruzar superfícies de gravilha.
  18. Não puxe o cortador de relva para trás a menos que seja absolutamente necessário. Quando é obrigado a mover o cortador de relva para trás relativamente a uma cerca ou outra obstrução semelhante, olhe para baixo e para trás antes de se mover para trás e enquanto se move para trás.
  19. Desligue o motor e aguarde até a lâmina parar completamente antes de retirar o apanhador de relva. Tenha cuidado, pois as lâminas continuam a rodar após desligar.
  20. Quando utilizar a máquina em terreno lamacento, declives húmidos ou local escorregadio, preste atenção ao seu posicionamento.
  21. Evite trabalhar num ambiente adverso no qual se preveja um aumento da fadiga do utilizador.
  22. Não utilize a máquina em más condições atmosféricas, nas quais a visibilidade seja limitada. Caso contrário, pode ocorrer a queda ou a operação incorreta devido a baixa visibilidade.
  23. Não submerja a máquina numa poça.
  24. Quando folhas molhadas ou sujidade aderirem à boca de sucção (janela de ventilação) devido a chuva, remova-as.
  25. Não utilize a máquina na neve.
  26. Se a relva cortada estiver molhada, é provável que esteja a entupir a máquina. Verifique o estado da máquina regularmente e remova a relva aderida, conforme necessário.
  27. Quando utilizar a máquina, preste atenção à tubagem e cablagem.
- Manutenção e armazenamento**
1. Inspeccione e realize a manutenção do cortador de relva regularmente.
  2. Mantenha todas as porcas, pernos e parafusos apertados para garantir que o equipamento está em condições de trabalho seguras.
  3. Verifique o coletor de relva frequentemente para ver se apresenta desgaste ou deterioração. Quando armazenar, certifique-se sempre que o coletor de relva está vazio. Substitua um coletor de relva desgastado por uma peça de substituição nova, de fábrica, para sua segurança.
  4. Utilize só as lâminas originais do fabricante especificadas neste manual.
  5. Tenha muito cuidado durante o ajuste do cortador de relva para evitar prender os dedos entre as lâminas em movimento e as peças fixas do cortador de relva.
  6. Inspeccione o perno de montagem da lâmina em intervalos frequentes para verificar se está bem apertado.
  7. Deixe sempre o cortador de relva arrefecer antes de o guardar.
  8. Ao fazer a manutenção nas lâminas lembre-se

que, apesar de a fonte de alimentação estar desligada, as lâminas podem continuar a mover-se.

9. Nunca remova ou manipule dispositivos de segurança. Verifique com regularidade se estão a funcionar corretamente. Nunca realize qualquer ação que interfira com a função pretendida de um dispositivo de segurança ou que reduza a proteção proporcionada por um dispositivo de segurança.
10. Não deixe a máquina sem supervisão no exterior à chuva.
11. Não lave a máquina com água a alta pressão.
12. Quando lavar a máquina, certifique-se de que remove a bateria e a chave de segurança e fecha a tampa da bateria e verte água na direção da parte inferior da máquina na qual a lâmina está presa.
13. Quando guardar a máquina, evite a luz solar direta e a chuva e guarde-a num local onde não fique quente ou húmido.
14. Realize a inspeção ou a manutenção num local no qual possa evitar-se a chuva.
15. Após utilizar a máquina, remova a sujidade aderida e seque a máquina completamente antes de guardá-la. Dependendo da estação do ano ou da área, existe um risco de avaria devido a congelamento.

#### Segurança elétrica e da bateria

1. Não abra nem mutila a(s) bateria(s). O eletrólito libertado é corrosivo e pode provocar danos nos olhos ou na pele. Pode ser tóxico se for engolido.
2. Não carregue a bateria sob chuva ou em locais húmidos.
3. Não carregue a bateria ao ar livre.
4. Não toque no carregador, incluindo a ficha do carregador e os terminais do carregador, com as mãos molhadas.
5. Não substitua a bateria à chuva.
6. Não molhe o terminal da bateria com líquido, tal como água, nem submerja a bateria. Não deixe a bateria à chuva nem carregue, utilize ou guarde a bateria num local húmido ou molhado. Se o terminal ficar molhado ou entrar líquido para a bateria, a bateria pode entrar em curto-circuito e existe um risco de sobreaquecimento, incêndio ou explosão.
7. Após remover a bateria da máquina ou do carregador, certifique-se de que prende a tampa da bateria à bateria e guarde-a num local seco.
8. Não substitua a bateria com as mãos molhadas.
9. Evite ambientes perigosos. Não utilize a máquina em locais húmidos ou molhados, nem a exponha à chuva. A água que entra na máquina aumenta o risco de choque elétrico.
10. Se a bateria ficar húmida, drene a água no interior e limpe-a com um pano seco. Seque a bateria completamente num local seco antes de utilizá-la.

## GUARDE ESTAS INSTRUÇÕES.

**AVISO:** NÃO permita que conforto ou familiaridade com o produto (adquirido com o uso repetido) substitua a aderência estrita às regras de segurança da ferramenta. **MÁ INTERPRETAÇÃO** ou não seguimento das regras de segurança estabelecidas neste manual de instruções pode causar danos pessoais sérios.

## Instruções de segurança importantes para a bateria

1. Antes de utilizar a bateria, leia todas as instruções e etiquetas de precaução no (1) carregador de bateria (2) bateria e (3) produto que utiliza a bateria.
2. Não desmonte ou manipule a bateria. Pode resultar num incêndio, em calor excessivo ou numa explosão.
3. Se o tempo de funcionamento se tornar excessivamente curto, pare o funcionamento imediatamente. Pode resultar em sobreaquecimento, possíveis queimaduras e mesmo explosão.
4. Se entrar eletrólito nos seus olhos, lave-os com água e consulte imediatamente um médico. Pode resultar em perda de visão.
5. Não coloque a bateria em curto-circuito:
  - (1) Não toque nos terminais com qualquer material condutor.
  - (2) Evite guardar a bateria juntamente com outros objetos metálicos tais como pregos, moedas, etc.
  - (3) Não exponha a bateria à água ou chuva. Um curto-circuito pode ocasionar um enorme fluxo de corrente, sobreaquecimento, possíveis queimaduras e mesmo estragar-se.
6. Não guarde nem utilize a ferramenta e a bateria em locais onde a temperatura pode atingir ou exceder 50 °C.
7. Não queime a bateria mesmo que esteja estragada ou completamente gasta. A bateria pode explodir no fogo.
8. Não pregue, corte, esmague, atire, deixe cair a bateria, nem bata a bateria contra um objeto rijo. Esta conduta pode resultar num incêndio, em calor excessivo ou numa explosão.
9. Não utilize uma bateria danificada.
10. As baterias de íões de lítio contidas na ferramenta são sujeitas aos requisitos da DGL (Dangerous Goods Legislation - Legislação de bens perigosos).

Para o transporte comercial, por exemplo, por terceiros ou agentes de expedição, têm de ser observados os requisitos referentes à embalagem e etiquetagem.

Para preparação do artigo a ser expedido, é necessário consultar um perito em materiais perigosos. Tenha ainda em conta a possibilidade de existirem regulamentos nacionais mais detalhados.

Coloque fita-cola ou tape os contactos abertos e embale a bateria de tal forma que não possa mover-se dentro da embalagem.
11. Quando eliminar a bateria, remova-a da

- ferramenta e elimine-a num local seguro. Siga os regulamentos locais relacionados com a eliminação de baterias.
- Utilize as baterias apenas com os produtos especificados pela Makita. Instalar as baterias em produtos não-conformes poderá resultar num incêndio, calor excessivo, explosão ou fuga de eletrólito.
  - Se a ferramenta não for utilizada durante um período de tempo prolongado, a bateria deve ser removida da ferramenta.
  - Durante e após a utilização, a bateria pode aquecer, o que pode provocar queimaduras ou queimaduras a baixa temperatura. Preste atenção ao manuseamento de baterias quentes.
  - Não toque no terminal da ferramenta imediatamente após a utilização, pois pode ficar suficientemente quente para provocar queimaduras.
  - Não permita a adesão de aparas, pó ou sujidade nos terminais, nos orifícios e nas ranhuras da bateria. Poderá fazer com que a ferramenta ou a bateria aqueça, incendeie, rebente e avarie, resultando em queimaduras ou ferimentos corporais.
  - A menos que a ferramenta suporte a utilização perto de linhas elétricas de alta tensão, não utilize a bateria perto de linhas elétricas de alta tensão. Pode resultar no mau funcionamento ou na avaria da ferramenta ou bateria.
  - Mantenha a bateria afastada das crianças.

## GUARDE ESTAS INSTRUÇÕES.

**PRECAUÇÃO:** Utilize apenas baterias genuínas da Makita. A utilização de baterias não genuínas da Makita ou de baterias que foram alteradas, pode resultar no rebentamento da bateria provocando incêndios, ferimentos pessoais e danos. Além disso, anulará da garantia da Makita no que se refere à ferramenta e ao carregador Makita.

**OBSERVAÇÃO:** A Makita não é responsável por quaisquer acidentes resultantes do uso de baterias não genuínas da Makita ou baterias que tenham sido modificadas. As baterias genuínas da Makita foram rigorosamente avaliadas quanto a compatibilidade com as ferramentas e os carregadores da Makita, em linha com a legislação e as normas de segurança aplicáveis.

## Conselhos para manter a máxima vida útil da bateria

- Carregue a bateria antes que esteja completamente descarregada. Pare sempre o funcionamento da ferramenta e carregue a bateria quando notar menos poder na ferramenta.
- Nunca carregue uma bateria completamente carregada. Carregamento excessivo diminui a vida útil da bateria.
- Carregue a bateria à temperatura ambiente de 10 °C – 40 °C. Deixe que uma bateria quente arrefeça antes de a carregar.
- Quando não utilizar a bateria, remova-a da ferramenta ou do carregador.

- Carregue a bateria se não a utilizar durante um longo período de tempo (mais de seis meses).

## MONTAGEM

**AVISO:** Verifique sempre se a chave de segurança e a bateria foram removidas antes de executar qualquer trabalho no cortador de relva. Se não retirar a chave de segurança e a bateria, pode ocorrer um arranque acidental e resultar em ferimentos pessoais graves.

**AVISO:** Nunca ligue o cortador de relva a menos que esteja completamente montado. A operação da máquina num estado parcialmente montado pode resultar em ferimentos pessoais graves provocados pelo arranque acidental.

## Instalar a tampa da bateria

**AVISO:** Não insira a chave de segurança e a bateria antes de instalar a tampa da bateria. O não cumprimento deste aviso pode provocar ferimentos graves.

Instale completamente a tampa da bateria antes da operação. A tampa da bateria protege o cortador de relva e a bateria contra lama, sujidade e água.

- Coloque a tampa da bateria com as saliências no cortador de relva alinhadas com os orifícios na tampa da bateria.

► Fig.1: 1. Saliência 2. Orifício 3. Tampa da bateria

- Ponha as mãos no meio da tampa da bateria e empurre-a.

► Fig.2

- Antes de utilizar a ferramenta pela primeira vez, verifique se o ponto de articulação da tampa da bateria está fixo corretamente. Se a tampa da bateria estiver instalada corretamente, ela não abrirá até a alavanca de bloqueio da tampa da bateria ser puxada.

► Fig.3: 1. Ponto de articulação 2. Alavanca de bloqueio da tampa da bateria

## Instalar o guiador

**OBSERVAÇÃO:** Quando instalar os guiadores, posicione os cabos de forma que não fiquem presos em nada entre os guiadores. Se o cabo estiver danificado, o interruptor do cortador de relva pode não funcionar.

- Deslize ambas as extremidades do guiador inferior para dentro das ranhuras do cortador de relva, depois, aperte os parafusos de fixação até ao fim.

► Fig.4: 1. Parafuso de fixação 2. Guiador inferior

- Alinhe os orifícios para os parafusos do guiador superior e do guiador inferior. Prenda-os com os parafusos e as porcas de fixação.

► Fig.5: 1. Porca de fixação 2. Parafuso de fixação

**NOTA:** Segure firmemente o guidador superior para que não caia da sua mão.

3. Coloque os fixadores ao guidador. Posicione o cabo de alimentação como indicado na figura.

► **Fig.6:** 1. Fixador

## Remover a tampa para mulching

### Acessório opcional

1. Abra a tampa traseira.

► **Fig.7:** 1. Tampa traseira

2. Segure a tampa para mulching pelo guidador e, em seguida, retire-a da estrutura do cortador de relva conforme ilustrado na figura.

► **Fig.8:** 1. Tampa para mulching 2. Guidador

## Montar o coletor de relva

Para montar o coletor de relva, efetue os passos a seguir indicados.

1. Insira a estrutura nos orifícios no coletor de relva num ângulo ligeiro aguentando em simultâneo o clipe conforme apresentado na figura.

► **Fig.9:** 1. Clipe 2. Estrutura 3. Orifício

2. Abra todos os cliques e prenda-os firmemente na estrutura.

► **Fig.10:** 1. Cliques

3. Aperte os dois pernos com a chave sextavada incluída no pacote da máquina para os fixar.

► **Fig.11:** 1. Pernos 2. Chave sextavada

## Instalar o coletor de relva

1. Abra a tampa traseira.

► **Fig.12:** 1. Tampa traseira

2. Enganche o coletor de relva na haste da estrutura do cortador de relva como apresentado na figura.

► **Fig.13:** 1. Gancho 2. Haste 3. Coletor de relva

## Prender a tampa para mulching

### Acessório opcional

1. Abra a tampa traseira e, em seguida, remova o coletor de relva.

► **Fig.14:** 1. Tampa traseira 2. Coletor de relva

2. Segure a tampa para mulching pelo guidador e, em seguida, prenda-a à estrutura do cortador de relva conforme ilustrado na figura.

► **Fig.15:** 1. Tampa para mulching 2. Guidador

# DESCRIÇÃO FUNCIONAL

## Instalação ou remoção da bateria

**⚠PRECAUÇÃO:** Desligue sempre a máquina antes de instalar ou retirar a bateria.

**⚠PRECAUÇÃO:** Certifique-se de que tranca a tampa da bateria antes de utilizar a ferramenta.

Caso contrário a lama, sujidade ou água podem provocar danos no produto ou na bateria.

**⚠PRECAUÇÃO:** Instale sempre a bateria até encaixar no lugar, ou seja, até não conseguir ver o indicador vermelho. Caso contrário, pode cair acidentalmente para fora da máquina, causando ferimentos a si ou a alguém próximo de si.

**⚠PRECAUÇÃO:** Não instale a bateria forçando-a. Se a bateria não entrar com facilidade, é porque não está a inseri-la corretamente.

**NOTA:** A máquina não funciona com apenas uma bateria.

### Para instalar a bateria:

1. Deslize a alavanca de bloqueio da tampa da bateria e abra a tampa da bateria.

► **Fig.16:** 1. Tampa da bateria 2. Alavanca de bloqueio da tampa da bateria

2. Alinhe a lingueta na bateria com a ranhura no cortador de relva, depois deslize a bateria até bloquear no lugar ouvindo-se um pequeno estalido.

► **Fig.17:** 1. Bateria

3. Insira a chave de segurança como indicado na ilustração o mais fundo possível.

► **Fig.18:** 1. Chave de segurança

4. Feche a tampa da bateria e empurre-a até travar com a alavanca de bloqueio.

### Para remover a bateria do cortador de relva:

1. Deslize a alavanca de bloqueio da tampa da bateria e abra a tampa da bateria.

2. Retire a bateria do cortador de relva enquanto desliza o botão na frente da bateria.

3. Retire a chave de segurança.

4. Feche a tampa da bateria.

## Sistema de proteção da máquina / bateria

A máquina está equipada com um sistema de proteção da máquina/bateria. Este sistema desliga automaticamente a alimentação do motor para prolongar a vida útil da ferramenta e da bateria. A máquina para automaticamente durante o funcionamento se a máquina ou a bateria for colocada numa das seguintes condições.

### Proteção contra sobrecarga

Quando a máquina é utilizada de uma forma que causa a absorção de corrente anormalmente alta, a máquina para automaticamente sem qualquer indicação. Nesta situação, desligue a máquina e pare a aplicação que

causou a sobrecarga da máquina. Em seguida, ligue a máquina para reiniciar.

## Proteção contra sobreaquecimento

A máquina para automaticamente quando estiver sobreaquecida. Deixe a máquina arrefecer antes de ligá-la novamente.

## Proteção contra descarga excessiva

A máquina para automaticamente quando a capacidade da bateria fica fraca. Se o produto não funcionar mesmo quando os interruptores são acionados, remova as baterias da máquina e carregue-as.

### Indicação da capacidade restante da bateria

► **Fig.19:** 1. Indicador da bateria
















Quando a capacidade restante da bateria fica fraca, o indicador da bateria pisca no lado da bateria aplicável. Se continuar a utilizá-la, a máquina para e o indicador da bateria acende. Nesta situação, carregue a bateria.

### Indicação da capacidade restante da bateria

#### Apenas para baterias com indicador

Prima o botão de verificação na bateria para indicar a capacidade restante da bateria. As luzes indicadoras acendem durante alguns segundos.

► **Fig.20:** 1. Luzes indicadoras 2. Botão de verificação

| Luzes indicadoras   |   |  | Capacidade restante            |
|---|---|--|--------------------------------|
|  Aceso |  Apagado |  A piscar |                                |
|        |   |  | 75% a 100%                     |
|       |         |  | 50% a 75%                      |
|      |        |  | 25% a 50%                      |
|      |        |  | 0% a 25%                       |
|      |        |  | Carregar a bateria.            |
|      |        |         | A bateria pode estar avariada. |

**NOTA:** Dependendo das condições de utilização e da temperatura ambiente, a indicação pode ser ligeiramente diferente da capacidade real.

**NOTA:** A primeira luz indicadora (extremo esquerdo) pisca quando o sistema de proteção da bateria funciona.

## Ação do interruptor

**AVISO:** Antes de instalar a bateria, verifique sempre se a alavanca do interruptor funciona corretamente e volta à posição original quando é libertada. Utilizar uma máquina com um interruptor que não aciona corretamente pode provocar a perda de controlo e ferimentos pessoais graves.

**NOTA:** O cortador de relva não liga se não carregar no botão do interruptor, mesmo que tenha puxado a alavanca do interruptor.

**NOTA:** O cortador de relva pode não arrancar devido a sobrecarga, quando tenta cortar relva longa ou densa de uma vez. Aumente a altura do corte, neste caso.

Este cortador de relva está equipado com um interruptor de interligação e um interruptor no guiador. Se observar qualquer coisa fora do normal com algum dos interruptores, pare a operação imediatamente e peça para serem inspecionados no centro de assistência técnica autorizado da Makita mais próximo.

1. Instale as baterias. Insira a chave de segurança dentro do interruptor de interligação e feche a tampa da bateria.

► **Fig.21:** 1. Bateria 2. Chave de segurança

2. Carregue no botão do interruptor e mantenha-o premido.

3. Ajarra no guiador superior e puxe a alavanca do interruptor.

► **Fig.22:** 1. Botão do interruptor 2. Alavanca do interruptor

4. Liberte o botão do interruptor assim que o motor começar a funcionar. O cortador de relva continuará a funcionar até libertar a alavanca do interruptor.

5. Liberte a alavanca do interruptor para parar o motor.

## Ajustar a altura do corte

**AVISO:** Nunca ponha as mãos ou pernas por baixo do corpo do cortador de relva quando ajustar a altura do corte.

**AVISO:** Verifique sempre se a alavanca encaixa devidamente dentro da ranhura antes da operação.

A altura do corte da relva pode ser ajustada num intervalo entre 20 mm e 75 mm.

1. Retire a chave de segurança.

2. Puxe a alavanca de ajuste da altura do corte em direção ao exterior do corpo do cortador de relva e mova-a para a altura de corte pretendida.

► **Fig.23:** 1. Alavanca de ajuste da altura do corte

**NOTA:** Os valores de altura de corte devem ser utilizados como orientação. Dependendo das condições do relvado ou do chão, a altura real da relva pode diferir ligeiramente da altura definida.

**NOTA:** Faça um teste de corte da relva num local menos evidente para obter a altura desejada.



## Indicador do nível da relva

### ► Fig.24: 1. Indicador do nível da relva

O indicador de nível da relva mostra o volume de relva cortada.

- Se o coletor de relva não estiver cheio, o indicador flutua durante o corte.
- Se o coletor de relva estiver cheio, o indicador não flutua durante o corte. Neste caso, pare imediatamente de cortar a relva e esvazie o coletor. Depois de esvaziar o coletor, limpe-o para que a rede deixe arejar o ar.

**NOTA:** Este indicador é um guia pouco seguro. Dependendo das condições do interior do coletor, este indicador pode não funcionar corretamente.

## Utilizar a tampa para mulching

### Acessório opcional

A tampa para mulching permite-lhe devolver a relva cortada ao solo sem reunir a relva cortada no coletor de relva. Quando utilizar a máquina com a tampa para mulching, certifique-se de que remove o coletor de relva.

**OBSERVAÇÃO:** Quando utilizar a máquina com a tampa para mulching, certifique-se de que o comprimento total da relva após o corte é de 30 mm ou mais e que o comprimento de corte é de 15 mm ou menos.

### ► Fig.25: (1) 30 mm ou mais (2) 15 mm ou menos

## OPERAÇÃO

### Cortar a relva

**AVISO:** Antes de cortar a relva, retire os paus e pedras da área que vai cortar. Remova também as ervas daninhas da área antes de cortar.

**AVISO:** Utilize sempre óculos de segurança ou proteção com proteções laterais quando operar o cortador de relva.

**PRECAUÇÃO:** Se a relva cortada ou objeto estranho ficarem bloqueados no interior da estrutura do cortador de relva, certifique-se de que remove a chave de segurança e a bateria e use luvas antes de remover a relva ou o objeto estranho.

**OBSERVAÇÃO:** Utilize esta máquina apenas para cortar relva. Não corte ervas daninhas com esta máquina.

### ► Fig.26

Agarre firmemente o guiador com as duas mãos para cortar a relva.

A orientação de velocidade de corte da relva é aproximadamente 1 metro por 4 segundos.

### ► Fig.27

As extremidades exteriores das rodas frontais são orientações para a largura de corte da relva. Utilizando as extremidades exteriores das rodas frontais como orientações, corte a relva em faixas. Sobreponha metade a um terço da faixa anterior para cortar a relva uniformemente.

### ► Fig.28: 1. Largura de corte da relva 2. Área de sobreposição 3. Extremidade exterior

Altere a direção de corte da relva de cada vez que cortar a relva, de modo a impedir a formação do padrão de veio da relva apenas numa direção.

### ► Fig.29

Verifique periodicamente o coletor de relva para ver se tem relva cortada. Esvazie o coletor de relva antes de ficar cheio. Certifique-se de que para o cortador de relva e retira a chave de segurança e a bateria antes de cada inspeção periódica.

**OBSERVAÇÃO:** Utilizar o cortador de relva com o coletor de relva cheio impede a rotação suave da lâmina e sobrecarrega o motor, o que pode provocar avarias.

## Cortar relva alta

Não tente cortar relva alta de uma só vez. Em vez disso, corte a relva por etapas. Deixe um dia ou dois de intervalo entre os cortes, até que a relva fique curta uniformemente.

**NOTA:** Cortar a relva alta numa altura muito curta de uma só vez pode matar a relva. A relva cortada também pode bloquear o interior do corpo do cortador de relva.

## Esvaziar o coletor de relva

**AVISO:** Para reduzir o risco de acidentes, inspecione regularmente o coletor de relva para ver se não está danificado ou enfraquecido. Substitua o coletor de relva, se for necessário.

1. Liberte a alavanca do interruptor.
2. Retire a chave de segurança.
3. Abra a tampa traseira e retire o coletor de relva segurando pelo puxador.  
► Fig.30: 1. Tampa traseira 2. Guiador
4. Esvazie o coletor de relva.



# MANUTENÇÃO

**⚠️ AVISO:** Certifique-se sempre de que a chave de segurança e a bateria estão retiradas do cortador de relva antes de o armazenar ou transportar ou tentar realizar uma inspeção ou manutenção.

**⚠️ AVISO:** Retire sempre a chave de segurança quando não estiver a utilizar o cortador de relva. Guarde a chave de segurança num lugar seguro fora do alcance de crianças.

**⚠️ AVISO:** Use luvas quando efetuar uma inspeção ou manutenção.

**⚠️ AVISO:** Utilize sempre óculos de segurança ou de proteção com proteções laterais quando realizar a inspeção ou manutenção.

**OBSERVAÇÃO:** Nunca utilize gasolina, benzina, diluente, álcool ou produtos semelhantes. Pode ocorrer a descoloração, deformação ou rachaduras.

Para manter a SEGURANÇA e a FIABILIDADE do produto, as reparações e qualquer outra manutenção ou ajuste devem ser levados a cabo pelos centros de assistência Makita autorizados ou pelos centros de assistência de fábrica, utilizando sempre peças de substituição Makita.

## Manutenção

1. Retire a chave de segurança. Guarde-a num lugar seguro e fora do alcance de crianças.
2. Limpe o cortador de relva só com pano húmido. Não pulverize nem jogue água no cortador de relva para o limpar.
3. Coloque o cortador de relva de lado e limpe os resíduos de relva acumulados em baixo do chassis do cortador de relva.
4. Verifique se todas as porcas, parafusos, pinos, parafusos, fixadores, etc. estão bem apertados.
5. Inspeccione as peças móveis para ver se estão danificadas, partidas ou desgastadas. As peças danificadas ou em falta devem ser reparadas ou substituídas.

## Armazenamento

**⚠️ AVISO:** Quando transportar ou armazenar o cortador de relva, não segure pelo guiador dobrado mas sim pela pega dianteira do cortador de relva. Segurar pelos guiadores dobrados pode provocar ferimentos graves ou danos no cortador de relva.

Antes de guardar o cortador de relva, remova a bateria e a chave de segurança. Guarde o cortador de relva num local interior, fresco e seco e que possa ser trancado. Não guarde o cortador de relva nem o carregador em locais onde a temperatura possa atingir ou exceder 40 °C.

► **Fig.31:** 1. Pega dianteira 2. Pega traseira

1. Desaperte os parafusos de fixação e expanda o

guiador inferior para os dois lados. Baixe o guiador para a frente. Nesta altura, segure firmemente no guiador inferior de modo que o guiador não caia para o lado mais afastado do corpo do cortador de relva.

► **Fig.32:** 1. Parafuso de fixação 2. Guiador inferior

2. Desaperte as porcas de fixação e gire o guiador superior para trás ao mesmo tempo que expande ambos os lados.

► **Fig.33:** 1. Porca de fixação 2. Guiador superior

3. Guarde o coletor de relva entre o guiador e o corpo do cortador de relva.

► **Fig.34:** 1. Coletor de relva

**NOTA:** Quando colocar o cortador de relva ao alto, não segure pelo guiador, mas sim pela pega dianteira do cortador de relva.

## Retirar ou instalar a lâmina do cortador de relva

**⚠️ AVISO:** Retire sempre a chave de segurança e a bateria antes de remover ou instalar a lâmina. Se não retirar a chave de segurança e a bateria pode provocar ferimentos graves.

**⚠️ AVISO:** A lâmina continua a girar lentamente durante alguns segundos, depois de se libertar o interruptor. Não inicie qualquer operação até a lâmina estar completamente parada.

**⚠️ AVISO:** Use sempre luvas para manusear a lâmina.

## Remover a lâmina do cortador de relva

### Para DLM382

1. Coloque o cortador de relva de lado de forma que a alavanca de ajuste da altura do corte fique na parte de cima.
  2. Para bloquear a rotação da lâmina, insira uma chave de parafusos ou uma ferramenta semelhante num orifício na estrutura do cortador de relva.
  3. Gire o perno para a esquerda com a chave.
- **Fig.35:** 1. Lâmina do cortador de relva 2. Chave de parafusos 3. Chave

4. Remova o perno e a lâmina por esta ordem.
- **Fig.36:** 1. Suporte da lâmina 2. Lâmina do cortador de relva 3. Perno

### Para DLM432

1. Coloque o cortador de relva de lado de forma que a alavanca de ajuste da altura do corte fique na parte de cima.
  2. Para bloquear a rotação da lâmina, insira uma chave de parafusos ou uma ferramenta semelhante num orifício na estrutura do cortador de relva.
  3. Gire o perno para a esquerda com a chave.
- **Fig.37:** 1. Lâmina do cortador de relva 2. Chave de parafusos 3. Chave

4. Retire o perno, a flange exterior, a lâmina do

cortador de relva e a flange interior por esta ordem.

► **Fig.38:** 1. Flange interior 2. Lâmina do cortador de relva 3. Flange exterior 4. Perno

## Instalar a lâmina do cortador de relva

Para instalar a lâmina do cortador de relva, execute o procedimento de remoção pela ordem inversa.

**⚠AVISO:** Instale cuidadosamente a lâmina do cortador de relva. Ela tem uma superfície superior/inferior. Coloque a lâmina de maneira que o lado com a seta da direção de rotação fique virado para fora.

**⚠AVISO:** Aperte o perno rodando com firmeza para a direita para prender a lâmina.

**⚠AVISO:** Certifique-se de que a lâmina do cortador de relva e todas as peças de fixação estão instaladas corretamente e apertadas de forma segura.

**⚠AVISO:** Quando substituir as lâminas, siga sempre as instruções fornecidas neste manual.

## RESOLUÇÃO DE PROBLEMAS

Antes de pedir uma reparação, realize primeiro a sua própria inspeção. Se encontrar um problema que não esteja explicado no manual, não tente desmontar a ferramenta. Em vez disso, peça as reparações nos centros de assistência técnica autorizados da Makita, usando sempre peças de substituição da Makita.

| Estado da anomalia   | Causa provável (avaria)  | Correção  |
|--|--|---|
| O cortador de relva não liga.  | Não estão instaladas duas baterias.  | Instale as baterias carregadas.   |
|  | Problema com a bateria (tensão baixa)  | Recarregue a bateria. Se recarregar a bateria não solucionar o problema, substitua a bateria. |
|  | A chave de segurança não está inserida.  | Insira a chave de segurança.  |
| O motor para de funcionar depois de pouco tempo de utilização.                       | O nível da carga da bateria está baixo.  | Recarregue a bateria. Se recarregar a bateria não solucionar o problema, substitua a bateria. |
|  | A altura do corte é muito baixa.   | Aumente a altura de corte.  |
| O motor não atinge as RPM máximas.   | A bateria não está instalada corretamente.                                       | Instale a bateria como descrito neste manual.   |
|  | A potência da bateria cai.   | Recarregue a bateria. Se recarregar a bateria não solucionar o problema, substitua a bateria. |
|  | O sistema de acionamento não funciona corretamente.                              | Solicite o conserto num centro de assistência técnica autorizado local.                       |
| A lâmina do cortador de relva não roda:<br>⇒ pare imediatamente o cortador de relva! | Um objeto estranho, como um ramo, está encravado perto da lâmina.                | Remova o objeto estranho.   |
|  | O sistema de acionamento não funciona corretamente.                              | Solicite o conserto num centro de assistência técnica autorizado local.                       |
| Vibração anormal:<br>⇒ pare imediatamente o cortador de relva!                       | A lâmina está desequilibrada, desgastada excessivamente ou de maneira irregular. | Substitua a lâmina.   |

## ACESSÓRIOS OPCIONAIS

**⚠PRECAUÇÃO:** Estes acessórios ou peças são recomendados para utilização com a ferramenta Makita especificada neste manual. A utilização de outros acessórios ou peças pode ser perigosa para as pessoas. Utilize apenas acessórios ou peças para os fins indicados.

- Lâmina do cortador de relva
- Tampa para mulching
- Bateria e carregador genuínos da Makita

**NOTA:** Alguns itens da lista podem estar incluídos na embalagem da ferramenta como acessórios padrão. Eles podem variar de país para país.

Se necessitar de informações adicionais relativas a estes acessórios, solicite-as ao seu centro de assistência Makita.

## ΠΡΟΔΙΑΓΡΑΦΕΣ

| Μοντέλο:   |  | DLM382  | DLM432  |
|--|--|---|---|
| Πλάτος κουρέματος (διάμετρος λάμας)                            |  | 380 mm  | 430 mm  |
| Ταχύτητα χωρίς φορτίο  |  | 3.700 min <sup>-1</sup>   | 3.600 min <sup>-1</sup>   |
| Αριθμός εξαρτήματος της ανταλλακτικής λάμας της μηχανής γκαζόν |  | 191D41-2  | 191D43-8  |
| Διαστάσεις (Μ x Π x Υ)   | κατά τη λειτουργία                           | Μ: 1.380 mm έως 1.410 mm<br>Π: 450 mm<br>Υ: 985 mm έως 1.005 mm | Μ: 1.435 mm έως 1.490 mm<br>Π: 460 mm<br>Υ: 1.005 mm έως 1.045 mm |
|  | κατά την αποθήκευση (χωρίς καλάθι γρασιδιού) | 860 mm x 450 mm x 475 mm  | 865 mm x 460 mm x 475 mm  |
| Όνομαστική τάση  |  | D.C. 36 V   |   |
| Καθαρό βάρος   |  | 15,5 - 16,5 kg  | 16,0 - 16,9 kg  |

- Λόγω του συνεχιζόμενου προγράμματος έρευνας και ανάπτυξης, οι προδιαγραφές αυτές υπόκεινται σε αλλαγές χωρίς προειδοποίηση.
- Τα τεχνικά χαρακτηριστικά μπορεί να διαφέρουν από χώρα σε χώρα.
- Η τιμή καθαρού βάρους περιλαμβάνει τον ελαφρύτερο και βαρύτερο συνδυασμό του προσαρτήματος ή προσαρτημάτων και της κασέτας μπαταριών ή κασετών μπαταριών που καθορίζονται στο εγχειρίδιο οδηγιών.

## Ισχύουσα κασέτα μπαταριών και φορτιστής

|                  |   |
|------------------|---|
| Κασέτα μπαταρίας | BL1830B / BL1840B / BL1850B / BL1860B                                 |
| Φορτιστής        | DC18RC / DC18RD / DC18RE / DC18SD / DC18SE / DC18SF / DC18SH / DC18WC |

- Ορισμένες από τις κασέτες και τους φορτιστές μπαταριών που αναγράφονται παραπάνω ίσως να μην είναι διαθέσιμοι, ανάλογα με την τοποθεσία κατοικίας σας.

**⚠ ΠΡΟΕΙΔΟΠΟΙΗΣΗ:** Να χρησιμοποιείτε μόνο τις κασέτες μπαταριών και τους φορτιστές που παρατίθενται ανωτέρω. Η χρήση οποιασδήποτε άλλης κασέτας μπαταριών ή φορτιστή μπορεί να προκαλέσει τραυματισμό ή/και πυρκαγιά.

**⚠ ΠΡΟΕΙΔΟΠΟΙΗΣΗ:** Μην χρησιμοποιείτε ηλεκτρική παροχή με καλώδιο, όπως προσαρμογέα μπαταριών ή φορητή ηλεκτρική τροφοδότηση, με αυτό το μηχάνημα. Το καλώδιο τέτοιας ηλεκτρικής παροχής μπορεί να δυσκολέψει τη λειτουργία και να προκαλέσει τραυματισμό.

## Σύμβολα

Παρακάτω παρουσιάζονται τα σύμβολα που μπορούν να χρησιμοποιηθούν για τον εξοπλισμό. Βεβαιωθείτε ότι κατανοείτε τη σημασία τους πριν από τη χρήση.



Απαιτούνται ιδιαίτερη φροντίδα και προσοχή.



Διαβάστε το εγχειρίδιο οδηγιών.



Κίνδυνος. Να προσέχετε για εκτοξευόμενα αντικείμενα.



Η απόσταση ανάμεσα στο εργαλείο και τους παρευρισκόμενους πρέπει να είναι τουλάχιστον 15 μέτρα.



Μη βάζετε ποτέ τα χέρια ή τα πόδια σας κοντά στη λάμα της μηχανής γκαζόν κάτω από τη μηχανή γκαζόν. Οι λάμες της μηχανής γκαζόν συνεχίζουν να περιστρέφονται μετά την απενεργοποίηση του μοτέρ.



Βγάλτε το κλειδί ασφάλισης πριν εκτελέσετε εργασίες επιθεώρησης, ρύθμισης, καθαρισμού και σέρβις στη μηχανή γκαζόν και πριν απομακρυνθείτε από τη μηχανή γκαζόν ή την αποθηκεύσετε.



Προειδοποίηση: Αποσυνδέστε την μπαταρία πριν τη συντήρηση.



Εγγυημένη στάθμη ηχητικής ισχύος σύμφωνα με την Οδηγία της ΕΕ για την εκπομπή θορύβου σε εξωτερικούς χώρους.



Στάθμη ηχητικής ισχύος σύμφωνα με τον Κανονισμό ελέγχου θορύβου της Νέας Νότιας Ουαλίας της Αυστραλίας



Μόνο για τις χώρες της ΕΕ  
 Λόγω της παρουσίας των επικίνδυνων συστατικών μερών στον εξοπλισμό, ο απόβλητος ηλεκτρικός και ηλεκτρονικός εξοπλισμός, οι συσσωρευτές και οι μπαταρίες μπορεί να έχουν αρνητική επίδραση στο περιβάλλον και την ανθρώπινη υγεία. Μην απορρίπτετε τις ηλεκτρικές και ηλεκτρονικές συσκευές ή μπαταρίες μαζί με τα οικιακά απορρίμματα!  
 Σύμφωνα με την Ευρωπαϊκή Οδηγία για τον απόβλητο ηλεκτρικό και ηλεκτρονικό εξοπλισμό και για τους συσσωρευτές και μπαταρίες και τους απόβλητους συσσωρευτές και μπαταρίες, καθώς και την προσαρμογή τους στην εθνική νομοθεσία, ο απόβλητος ηλεκτρικός εξοπλισμός, οι μπαταρίες και οι συσσωρευτές θα πρέπει να αποθηκεύονται ξεχωριστά και να παραδίδονται σε ξεχωριστό σημείο συλλογής για δημοτικά απόβλητα, το οποίο λειτουργεί σύμφωνα με τους κανονισμούς για την προστασία του περιβάλλοντος. Αυτό υποδεικνύεται από το σύμβολο του διαγραμμένου τροχοφόρου κάδου που βρίσκεται αναρτημένο επάνω στον εξοπλισμό.

## Προοριζόμενη χρήση

Το μηχάνημα προορίζεται για το κούρεμα γκαζόν.

## Θόρυβος

Το τυπικό Α επίπεδο καταμετρημένου θορύβου καθορίζεται σύμφωνα με το EN IEC 62841-4-3:

| Μοντέλο | Μετρούμενη στάθμη ηχητικής ισχύος ( $L_{WA}$ ) : (dB(A)) | Εγγυημένη στάθμη ηχητικής ισχύος ( $L_{WA}$ ) : (dB(A)) |
|---------|--|---|
| DLM382  | 91   | 94  |
| DLM432  | 92   | 95  |

| Μοντέλο | Επίπεδο ηχητικής πίεσης ( $L_{pA}$ ): (dB(A)) | Αβεβαιότητα για στάθμη ηχητικής πίεσης (K) : (dB(A)) |
|---------|---|--|
| DLM382  | 81  | 3  |
| DLM432  | 81  | 3  |

**ΠΑΡΑΤΗΡΗΣΗ:** Η δηλωμένη τιμή(ές) εκπομπής θορύβου έχει μετρηθεί σύμφωνα με την πρότυπη μέθοδο δοκιμής και μπορεί να χρησιμοποιηθεί για τη σύγκριση ενός εργαλείου με κάποιο άλλο.

**ΠΑΡΑΤΗΡΗΣΗ:** Η δηλωμένη τιμή(ές) εκπομπής θορύβου μπορεί να χρησιμοποιηθεί και στην προκαταρκτική αξιολόγηση της έκθεσης.

**⚠️ΠΡΟΕΙΔΟΠΟΙΗΣΗ:** Να φοράτε ωτοασπίδες.

**⚠️ΠΡΟΕΙΔΟΠΟΙΗΣΗ:** Η εκπομπή θορύβου κατά τη χρήση του ηλεκτρικού εργαλείου σε πραγματικές συνθήκες μπορεί να διαφέρει από τη δηλωμένη ολική τιμή ή τιμές ανάλογα με τους τρόπους χρήσης του εργαλείου.

**⚠️ΠΡΟΕΙΔΟΠΟΙΗΣΗ:** Φροντίστε να λάβετε τα κατάλληλα μέτρα προστασίας του χειριστή βάσει ενός υπολογισμού της έκθεσης σε πραγματικές συνθήκες χρήσης (λαμβάνοντας υπόψη όλες τις συνιστώσες του κύκλου λειτουργίας όπως τους χρόνους που το εργαλείο είναι εκτός λειτουργίας και όταν βρίσκεται σε αδρανή λειτουργία πέραν του χρόνου ενεργοποίησης).

## Κραδασμός

Η ολική τιμή συνεχούς δόνησης (άθροισμα τρι-αξονικού διανύσματος) καθορίζεται σύμφωνα με το πρότυπο EN IEC 62841-4-3:

### Μοντέλο DLM382

Εκπομπή δόνησης ( $a_h$ ): 2,5 m/s<sup>2</sup> ή λιγότερο  
 Αβεβαιότητα (K): 2,0 m/s<sup>2</sup>

### Μοντέλο DLM432

Εκπομπή δόνησης ( $a_h$ ): 2,5 m/s<sup>2</sup> ή λιγότερο  
 Αβεβαιότητα (K): 1,5 m/s<sup>2</sup>

**ΠΑΡΑΤΗΡΗΣΗ:** Η δηλωμένη τιμή(ές) συνολικών κραδασμών έχει μετρηθεί σύμφωνα με την πρότυπη μέθοδο δοκιμής και μπορεί να χρησιμοποιηθεί για τη σύγκριση ενός εργαλείου με κάποιο άλλο.

**ΠΑΡΑΤΗΡΗΣΗ:** Η δηλωμένη ολική τιμή ή τιμές δόνησης μπορεί να χρησιμοποιηθεί και στην προκαταρκτική αξιολόγηση της έκθεσης.

**⚠️ΠΡΟΕΙΔΟΠΟΙΗΣΗ:** Η εκπομπή δόνησης κατά τη χρήση του ηλεκτρικού εργαλείου σε πραγματικές συνθήκες μπορεί να διαφέρει από τη δηλωμένη ολική τιμή ή τιμές ανάλογα με τους τρόπους χρήσης του εργαλείου.

**⚠️ΠΡΟΕΙΔΟΠΟΙΗΣΗ:** Φροντίστε να λάβετε τα κατάλληλα μέτρα προστασίας του χειριστή βάσει ενός υπολογισμού της έκθεσης σε πραγματικές συνθήκες χρήσης (λαμβάνοντας υπόψη όλες τις συνιστώσες του κύκλου λειτουργίας όπως τους χρόνους που το εργαλείο είναι εκτός λειτουργίας και όταν βρίσκεται σε αδρανή λειτουργία πέραν του χρόνου ενεργοποίησης).

## Δήλωση Συμμόρφωσης

### Μόνο για χώρες της Ευρώπης

Οι Δηλώσεις Συμμόρφωσης περιλαμβάνονται στο Παράρτημα Α στο παρόν εγχειρίδιο οδηγιών.

# ΠΡΟΕΙΔΟΠΟΙΗΣΕΙΣ ΑΣΦΑΛΕΙΑΣ

## Γενικές προειδοποιήσεις ασφαλείας για το ηλεκτρικό εργαλείο

**▲ΠΡΟΕΙΔΟΠΟΙΗΣΗ** Διαβάστε όλες τις προειδοποιήσεις ασφαλείας, οδηγίες, εικονογραφημένες και προδιαγραφές που παρέχονται με αυτό το ηλεκτρικό εργαλείο. Η μη τήρηση όλων των οδηγιών που αναγράφονται κατωτέρω μπορεί να καταλήξει σε ηλεκτροπληξία, πυρκαγιά ή/και σοβαρό τραυματισμό.

## Φυλάξτε όλες τις προειδοποιήσεις και τις οδηγίες για μελλοντική παραπομπή.

Στις προειδοποιήσεις, ο όρος «ηλεκτρικό εργαλείο» αναφέρεται σε ηλεκτρικό εργαλείο που τροφοδοτείται από την κύρια παροχή ηλεκτρικού ρεύματος (με ηλεκτρικό καλώδιο) ή σε ηλεκτρικό εργαλείο που τροφοδοτείται από μπαταρία (χωρίς ηλεκτρικό καλώδιο).

## Προειδοποιήσεις ασφαλείας για τη μηχανή γκαζόν με μπαταρία

1. Μην χρησιμοποιείτε η μηχανή γκαζόν σε κακές καιρικές συνθήκες, ιδιαίτερα όταν υπάρχει κίνδυνος για εμφάνιση κεραυνών. Αυτό μειώνει τον κίνδυνο να χτυπηθείτε από κεραυνό.
2. Επιθεωρήστε πολύ καλά για ζώα την περιοχή όπου θα χρησιμοποιηθεί η μηχανή γκαζόν. Τα ζώα μπορεί να τραυματιστούν από τη μηχανή γκαζόν κατά τη διάρκεια της λειτουργίας.
3. Επιθεωρήστε πολύ καλά την περιοχή όπου η μηχανή γκαζόν πρόκειται να χρησιμοποιηθεί και αφαιρέστε όλες τις πέτρες, ξύλα, σύρματα, κόκκαλα και άλλα ξένα αντικείμενα. Τα εκτοξευόμενα αντικείμενα μπορεί να προκαλέσουν προσωπικό τραυματισμό.
4. Πριν χρησιμοποιήσετε τη μηχανή γκαζόν, να ελέγχετε πάντα οπτικά ότι η λάμα και η διάταξη λαμών δεν είναι φθαρμένες ή κατεστραμμένες. Τα φθαρμένα ή κατεστραμμένα εξαρτήματα αυξάνουν τον κίνδυνο τραυματισμού.
5. Να ελέγχετε συχνά το συγκρατήρα γκαζόν για φθορά ή υποβάθμιση. Ένας φθαρμένος ή κατεστραμμένος συγκρατήρας γρασιδιού μπορεί να αυξήσει τον κίνδυνο προσωπικού τραυματισμού.
6. Διατηρείτε τα προστατευτικά στη θέση τους. Τα προστατευτικά πρέπει να βρίσκονται σε λειτουργική κατάσταση και να έχουν προσαρτηθεί σωστά. Ένα προστατευτικό που είναι χαλαρό, κατεστραμμένο ή δεν λειτουργεί σωστά μπορεί να έχει ως αποτέλεσμα προσωπικό τραυματισμό.
7. Να διατηρείτε καθαρές όλες τις εισόδους του αέρα ψύξης. Οι φραγμένοι εισόδοι αέρα και τα θραύσματα μπορεί να έχουν ως αποτέλεσμα την υπερθέρμανση ή τον κίνδυνο φωτιάς.
8. Κατά τη λειτουργία της μηχανής γκαζόν, να φοράτε πάντα αντιολισθητικά και προστατευτικά υποδήματα. Μην χειρίζεστε τη μηχανή

γκαζόν ξυπόλυτοι ή με ανοικτά σαντάλια. Αυτό μειώνει την πιθανότητα τραυματισμού στα πόδια λόγω της επαφής με την κινούμενη λάμα.

9. **Ενώ λειτουργείτε τη μηχανή γκαζόν, να φοράτε πάντα μακρύ παντελόνι.** Το εκτεθειμένο δέρμα αυξάνει την πιθανότητα τραυματισμού από αντικείμενα που πετάγονται.
10. **Μην λειτουργείτε τη μηχανή γκαζόν σε βρεγμένο γκαζόν. Να περπατάτε, να μην τρέχετε ποτέ.** Έτσι μειώνεται ο κίνδυνος για ολίσθηση και πτώση, τα οποία μπορούν να έχουν ως αποτέλεσμα προσωπικό τραυματισμό.
11. **Μη χειρίζεστε τη μηχανή γκαζόν σε υπερβολικά μεγάλες κλίσεις.** Έτσι μειώνεται ο κίνδυνος για απώλεια ελέγχου, ολίσθηση και πτώση, τα οποία μπορούν να έχουν ως αποτέλεσμα προσωπικό τραυματισμό.
12. **Όταν εργάζεστε υπό κλίση, να είστε πάντα σίγουροι για το πάτημά σας, να εργάζεστε πάντα κατά πλάτος της πρόσωσης της κλίσης, ποτέ προς τα πάνω ή κάτω, και να προσέχετε ιδιαίτερα όταν αλλάζετε κατεύθυνση.** Έτσι μειώνεται ο κίνδυνος για απώλεια ελέγχου, ολίσθηση και πτώση, τα οποία μπορούν να έχουν ως αποτέλεσμα προσωπικό τραυματισμό.
13. **Να είστε ιδιαίτερα προσεκτικοί όταν κινείστε προς τα πίσω ή τραβάτε τη μηχανή γκαζόν προς το μέρος σας. Να είσαοτε πάντα προσεκτικοί με τον περιβάλλοντα χώρο.** Έτσι μειώνεται ο κίνδυνος να σκοντάψετε κατά τη διάρκεια της λειτουργίας.
14. **Μην αγγίζετε τις λάμες και τα άλλα επικίνδυνα κινούμενα εξαρτήματα ενώ βρίσκονται ακόμη σε κίνηση.** Έτσι μειώνεται ο κίνδυνος τραυματισμού από τα κινούμενα εξαρτήματα.
15. **Όταν καθαρίζετε μπλοκαρισμένο υλικό ή καθαρίζετε τη μηχανή γκαζόν, να βεβαιώνετε ότι όλοι οι διακόπτες λειτουργίας είναι σβηστοί και η κασέτα μπαταριών έχει αποσυνδεθεί.** Η απρόσμενη λειτουργία της μηχανής γκαζόν μπορεί να έχει ως αποτέλεσμα σοβαρό προσωπικό τραυματισμό.

## Πρόσθετες προειδοποιήσεις ασφαλείας

### Εκπαίδευση

1. Διαβάστε τις οδηγίες προσεκτικά. Εξοικειωθείτε με τα χειριστήρια και τη σωστή χρήση της μηχανής γκαζόν.
2. Μην αφήνετε ποτέ παιδιά ή άτομα που δεν γνωρίζουν αυτές τις οδηγίες να χρησιμοποιούν τη μηχανή γκαζόν. Μπορεί να υπάρχει περιορισμός ηλικίας για το χειριστή βάσει τοπικών κανονισμών.
3. Μη χειρίζεστε ποτέ τη μηχανή γκαζόν όταν άλλα άτομα, ειδικά παιδιά ή κατοικίδια, βρίσκονται σε κοντινή απόσταση.
4. Να θυμάστε ότι ο χειριστής ή ο χρήστης είναι υπεύθυνος για ατυχήματα ή κινδύνους που υφίστανται άλλα άτομα ή η ιδιοκτησία τους.

### Προετοιμασία

1. Βεβαιωθείτε ότι στην περιοχή δεν υπάρχουν άλλα άτομα πριν ξεκινήσετε να κουρεύετε το γκαζόν. Σβήστε τη μηχανή γκαζόν αν εισέλθει

- κάποιοι στην περιοχή.
2. Μην εισαγάγετε το κλειδί ασφάλισης στη μηχανή γκαζόν μέχρι να είναι έτοιμη για χρήση.
  3. Προσέχετε για τρύπες, αυλάκια, εξογκώματα, πέτρες ή άλλα κρυφά αντικείμενα. Το ανομοιόμορφο έδαφος μπορεί να προκαλέσει ατύχημα ολίσθησης και πτώσης. Το ψηλό γρασίδι μπορεί να κρύβει εμπόδια.
  4. Μην τοποθετείτε ή αφαιρείτε το κλειδί ασφάλισης στη βροχή.

#### Λειτουργία

1. Σταματήστε τη μηχανή γκαζόν και βγάλτε το κλειδί ασφάλισης, και βεβαιωθείτε ότι όλα τα κινούμενα μέρη έχουν ακινητοποιηθεί πλήρως
  - κάθε φορά που απομακρύνετε από τη μηχανή γκαζόν,
  - πριν καθαρίσετε εμπόδια ή ξεφράξετε τη χοάνη,
  - πριν ελέγξετε ή καθαρίσετε τη μηχανή γκαζόν ή πριν εκτελέσετε εργασίες σε αυτή.
2. Αν η μηχανή γκαζόν χτυπήσει σε ένα ξένο αντικείμενο, ακολουθήστε τα εξής βήματα:
  - Σβήστε τη μηχανή γκαζόν, αφήστε τον μοχλό διακόπτη και περιμένετε μέχρι να σταματήσει πλήρως να περιστρέφεται η λάμα.
  - Βγάλτε το κλειδί ασφάλισης και την κασέτα μπαταριών.
  - Επιθεωρήστε καλά τη μηχανή γκαζόν για τυχόν ζημιά.
  - Αντικαταστήστε τη λάμα αν έχει υποστεί ζημιά με οποιονδήποτε τρόπο. Επισκευάστε κάθε ζημιά πριν την επανέναρξη και συνεχίστε να χρησιμοποιείτε τη μηχανή γκαζόν.
3. Αν η μηχανή γκαζόν αρχίσει να δονείται με ασυνήθιστο τρόπο ή αν παρατηρήσετε οτιδήποτε ασυνήθιστο, ακολουθήστε αμέσως τα ακόλουθα βήματα:
  - Σβήστε τη μηχανή γκαζόν, αφήστε τον μοχλό διακόπτη και περιμένετε μέχρι να σταματήσει πλήρως να περιστρέφεται η λάμα.
  - Βγάλτε το κλειδί ασφάλισης και την κασέτα μπαταριών.
  - Επιθεωρήστε για ζημιά και αντικαταστήστε ή επισκευάστε τα κατεστραμμένα μέρη.
  - Ελέγξτε για χαλαρά μέρη και σφίξτε τα ανάλογα.
4. Μη χειρίζεστε ποτέ τη μηχανή γκαζόν με ελαττωματικά προστατευτικά ή καλύμματα ή χωρίς τις διατάξεις ασφάλειας, για παράδειγμα, διατάξεις παρεκτροπής ή/και καλάθι γρασιδιού, στη θέση τους.
5. Να χειρίζεστε τη μηχανή γκαζόν μόνο όταν έχει ακόμα φως έξω ή με καλό τεχνητό φωτισμό.
6. Ενεργοποιήστε προσεκτικά τη μηχανή γκαζόν σύμφωνα με τις οδηγίες και με τα πόδια σας μακριά από τις λάμες.
7. Να προσέχετε ώστε να μην τραυματίσετε τα

- πόδια και τα χέρια σας από τις λάμες της μηχανής γκαζόν.
8. Οι λάμες πρέπει να είναι ακινητοποιημένες όταν πρέπει να γείρετε τη μηχανή γκαζόν για μεταφορά κατά τη διέλευση επιφανειών εκτός από το γκαζόν και κατά τη μεταφορά της μηχανής γκαζόν από και προς την περιοχή όπου θα χρησιμοποιηθεί.
  9. Μη γέρνετε τη μηχανή γκαζόν όταν ενεργοποιείτε το μοτέρ, εκτός αν πρέπει να γέρνετε τη μηχανή γκαζόν για την έναρξη. Σε αυτή την περίπτωση, μην τη γέρνετε περισσότερο από όσο είναι απολύτως απαραίτητο και να σηκώνετε μόνο το τμήμα που βρίσκεται μακριά από το χειριστή. Να εξασφαλίσετε πάντα ότι και τα δύο χέρια βρίσκονται στη λειτουργική θέση πριν επιστρέψετε τη μηχανή γκαζόν στο έδαφος.
  10. Μη βάζετε τα χέρια ή τα πόδια σας κοντά ή κάτω από περιστρεφόμενα μέρη. Μείνετε μακριά από το άνοιγμα εκκένωσης κάθε στιγμή.
  11. Να κρατάτε πάντα τη λαβή σταθερά.
  12. Μην πιάνετε τις εκτεθειμένες λάμες κοπής ή τα κοπτικά άκρα όταν σηκώνετε ή κρατάτε τη μηχανή γκαζόν.
  13. Διατηρείτε τα χέρια και τα πόδια σας μακριά από τις περιστρεφόμενες λάμες. Προσοχή - Οι λάμες συνεχίζουν να περιστρέφονται μετά την απενεργοποίηση της μηχανής γκαζόν.
  14. Μην επιχειρήσετε ποτέ να κάνετε ρυθμίσεις του ύψους κοπής ενώ η μηχανή γκαζόν βρίσκεται σε λειτουργία, στην περίπτωση που η μηχανή γκαζόν διαθέτει δυνατότητα ρύθμισης ύψους κοπής.
  15. Αφήστε το μοχλό διακόπτη και περιμένετε μέχρι να σταματήσει η περιστροφή της λάμας πριν διασχίσετε ιδιωτικούς δρόμους, πεζοδρόμια, δρόμους και οποιαδήποτε περιοχή που είναι καλυμμένη με χαλίκια. Επίσης βγάλτε το κλειδί ασφάλισης αν απομακρυνθείτε από τη μηχανή γκαζόν, αν σκύψετε για να πιάσετε ή να απομακρύνετε κάτι από μπροστά σας ή για οποιονδήποτε άλλο λόγο που μπορεί να αποσπάσει την προσοχή σας από αυτό που κάνετε.
  16. Μην ενεργοποιείτε τη μηχανή γκαζόν όταν στέκεστε μπροστά από το άνοιγμα εκκένωσης.
  17. Μην κατευθύνετε ποτέ το υλικό εκκένωσης προς κανένα άτομο. Αποφύγετε την εκκένωση υλικού επάνω σε τοίχο ή εμπόδιο. Το υλικό μπορεί να αναπηδήσει προς τον χειριστή. Σταματήστε τη λάμα όταν περνάτε επιφάνειες με χαλίκι.
  18. Μην τραβήξετε τη μηχανή γκαζόν προς τα πίσω εκτός αν είναι απολύτως απαραίτητο. Όταν είστε αναγκασμένοι να μετακινήσετε τη μηχανή γκαζόν προς τα πίσω από φράχτη ή άλλο παρόμοιο εμπόδιο, κοιτάξτε κάτω και προς τα πίσω πριν μετακινήσετε προς τα πίσω αλλά και ενώ μετακινείστε προς τα πίσω.
  19. Σβήστε το μοτέρ και περιμένετε να σταματήσει να κινείται εντελώς η λάμα πριν βγάλετε τον συγκρατήρα χορταριού. Προσέχετε επειδή οι λάμες περιστρέφεται ελεύθερα μετά το σβήσιμο.



20. Όταν χρησιμοποιείτε το μηχάνημα σε λασπώδη έδαφος, βρεγμένες κλίσεις ή ολισθηρό μέρος, να προσέχετε το πάτημά σας.
21. Αποφεύγετε να εργάζεστε σε κακό περιβάλλον, όπου αναμένεται αυξημένη κόπωση του χρήστη.
22. Μη χρησιμοποιείτε το μηχάνημα σε άσχημες καιρικές συνθήκες, όταν η ορατότητα είναι περιορισμένη. Αν δεν τηρήσετε αυτή την προειδοποίηση, μπορεί να προκληθεί πτώση ή λανθασμένη λειτουργία λόγω χαμηλής ορατότητας.
23. Μην βυθίζετε το μηχάνημα σε λακούβα.
24. Όταν βρεγμένα φύλλα ή χώμα κολλούν στο στόμιο αναρρόφησης (παράθυρο εξαερισμού) λόγω βροχής, αφαιρέστε τα.
25. Μην χρησιμοποιείτε το μηχάνημα στο χιόνι.
26. Αν το κομμένο γκαζόν είναι βρεγμένο, είναι πιθανό να φράξει στο εσωτερικό του μηχανήματος. Να ελέγχετε την κατάσταση του μηχανήματος τακτικά, και αφαιρέστε το προσκολλημένο γρασίδι όπως απαιτείται.
27. Προσέχετε τους σωλήνες και τα καλώδια κατά το χειρισμό του μηχανήματος.

#### Συντήρηση και αποθήκευση

1. Επιθεωρήστε και συντηρήστε τη μηχανή γκαζόν τακτικά.
2. Διατηρείτε σφικτά όλα τα παξιμάδια, τα μπουλόνια και τις βίδες για να βεβαιωθείτε ότι ο εξοπλισμός βρίσκεται σε ασφαλή λειτουργική κατάσταση.
3. Να ελέγχετε συχνά το καλάθι γρασιδιού για φθορά ή υποβάθμιση. Κατά την αποθήκευση, να φροντίζετε πάντα ώστε το καλάθι γρασιδιού να είναι άδειο. Να αντικαθιστάτε ένα φθαρμένο καλάθι γρασιδιού με ένα καινούργιο εργοστασιακό ανταλλακτικό, για λόγους ασφαλείας.
4. Να χρησιμοποιείτε μόνο γνήσιες λάμες του κατασκευαστή που καθορίζονται σε αυτό το εγχειρίδιο.
5. Προσέχετε κατά τη διάρκεια ρυθμίσεων στη μηχανή γκαζόν για την αποφυγή παγίδευσης δακτύλων μεταξύ των κινούμενων λαμών και των σταθερών μερών της μηχανής γκαζόν.
6. Ελέγξτε σε τακτικά διαστήματα αν το μπουλόνι στερέωσης λάμας είναι καλά σφιγμένο.
7. Να αφήνετε πάντα τη μηχανή γκαζόν να κρυώσει πριν την αποθήκευση.
8. Κατά την εκτέλεση εργασιών σέρβις στις λάμες, να γνωρίζετε ότι οι λάμες μπορεί να συνεχίζουν να κινούνται παρότι η τροφοδοσία απενεργοποιήθηκε.
9. Ποτέ μην αφαιρείτε ή παραβιάζετε τις συσκευές ασφαλείας. Να ελέγχετε τακτικά τη σωστή λειτουργία τους. Μην κάνετε ποτέ τίποτα για να παρεμβείτε με την προοριζόμενη λειτουργία μιας συσκευής ασφαλείας ή να μειώσετε την προστασία που παρέχεται από μια συσκευή ασφαλείας.
10. Μην αφήνετε το μηχάνημα χωρίς επιτήρηση σε εξωτερικούς χώρους στη βροχή.
11. Μην πλένετε το μηχάνημα με νερό υψηλής πίεσης.
12. Όταν πλένετε το μηχάνημα, φροντίστε να αφαιρέσετε την μπαταρία και το κλειδί ασφάλισης

καθώς και να κλείσετε το κάλυμμα μπαταριών, και ρίξτε νερό προς το κάτω μέρος του μηχανήματος όπου είναι συνδεδεμένη η λάμα.

13. Όταν αποθηκεύετε το μηχάνημα, να αποφεύγετε την άμεση ηλιοβολή και τη βροχή, και να το αποθηκεύσετε σε ένα μέρος όπου δεν υπάρχει πολύ ζεστή και υγρασία.
14. Εκτελέστε τις εργασίες επιθεώρησης και συντήρησης σε ένα μέρος όπου μπορεί να αποφευχθεί η βροχή.
15. Μετά τη χρήση του μηχανήματος, αφαιρέστε το προσκολλημένο χώμα και στεγνώστε το μηχάνημα εντελώς πριν την αποθήκευση. Ανάλογα με την εποχή ή την περιοχή, υπάρχουν κίνδυνος δυσλειτουργίας λόγω παγωμάτων.

#### Ηλεκτρική ασφάλεια και ασφάλεια μπαταρίας

1. Μη απορρίπτετε και μην καταστρέψετε την μπαταρία(ιες). Ο ηλεκτρολύτης που εκλύεται είναι διαβρωτικός και μπορεί να προκαλέσει ζημιά στα μάτια ή στο δέρμα. Σε περίπτωση κατάποσης, μπορεί να είναι τοξικό.
2. Μη φορτίζετε την μπαταρία στη βροχή, αλλά ούτε σε υγρές υποθεσίες.
3. Μην φορτίζετε τη μπαταρία σε εξωτερικό χώρο.
4. Μην χειρίζεστε τον φορτιστή, συμπεριλαμβανομένου του φινι φορτιστή, και τους ακροδέκτες φορτιστή με βρεγμένα χέρια.
5. Μην αλλάζετε την μπαταρία στη βροχή.
6. Μην βρέχετε τον πόλο της μπαταρίας με υγρό, όπως το νερό, και μη βυθίζετε την μπαταρία σε υγρό. Μην αφήνετε την μπαταρία στη βροχή, και μην φορτίζετε, χρησιμοποιείτε ή αποθηκεύετε την μπαταρία σε υγρό ή βρεγμένο μέρος. Αν ο πόλος βρεχτεί ή εισέλθει υγρό στο εσωτερικό της μπαταρίας, η μπαταρία μπορεί να βραχυκυκλώσει και να υπάρξει κίνδυνος υπερθέρμανσης, πυρκαγιάς ή έκρηξης.
7. Αφού αφαιρέσετε την μπαταρία από το μηχάνημα ή τον φορτιστή, φροντίστε να συνδέσετε το κάλυμμα μπαταριών στην μπαταρία και να την αποθηκεύσετε σε στεγνό μέρος.
8. Μην αλλάζετε την μπαταρία με βρεγμένα χέρια.
9. Να αποφεύγετε τα επικίνδυνα περιβάλλοντα. Μη χρησιμοποιείτε το μηχάνημα σε υγραμένο ή υγρό χώρο ούτε να το εκθέτετε στη βροχή. Η είσοδος νερού στο μηχάνημα μπορεί να αυξήσει τον κίνδυνο πρόκλησης ηλεκτροπληξίας.
10. Αν η κασέτα μπαταριών βραχεί, αποστραγγίστε το νερό από το εσωτερικό και μετά σκουπίστε την με ένα στεγνό πανί. Στεγνώστε την κασέτα μπαταριών εντελώς σε ένα στεγνό μέρος πριν τη χρησιμοποιήσετε.

## ΦΥΛΑΞΤΕ ΤΙΣ ΟΔΗΓΙΕΣ ΑΥΤΕΣ.



**⚠ ΠΡΟΕΙΔΟΠΟΙΗΣΗ:** ΜΗΝ επιτρέψετε το βαθμό άνεσης ή εξοικείωσης με το προϊόν (λόγω επανειλημμένης χρήσης) να αντικαταστήσει την αυστηρή τήρηση των κανόνων ασφαλείας του παρόντος εργαλείου. Η ΛΑΝΘΑΣΜΕΝΗ ΧΡΗΣΗ ή η αμέλεια να ακολουθήσετε τους κανόνες ασφαλείας που διατυπώνονται στο παρόν εγχειρίδιο οδηγιών μπορεί να προκαλέσει σοβαρό προσωπικό τραυματισμό.

## Σημαντικές οδηγίες ασφαλείας για κασέτα μπαταριών

1. Πριν χρησιμοποιήσετε την κασέτα μπαταριών, διαβάστε όλες τις οδηγίες και σημειώσεις προφύλαξης (1) στον φορτιστή μπαταριών, (2) στην μπαταρία και (3) στο προϊόν που χρησιμοποιεί την μπαταρία.
2. Μην αποσυναρμολογήσετε ή παραβιάσετε την κασέτα μπαταριών. Μπορεί να έχει ως αποτέλεσμα πυρκαγιά, υπερθέρμανση ή έκρηξη.
3. Εάν ο χρόνος λειτουργίας έχει γίνει υπερβολικά βραχύς, σταματήστε τη λειτουργία αμέσως. Αλλιώς, μπορεί να έχει ως αποτέλεσμα κίνδυνο υπερθέρμανσης, πιθανά εγκαύματα ή ακόμη και έκρηξη.
4. Εάν ηλεκτρολύτης μπει στα μάτια σας, ξεπλύνετε τα με καθαρό νερό και ζητήστε ιατρική φροντίδα αμέσως. Αλλιώς, μπορεί να έχει ως αποτέλεσμα απώλεια της όρασης σας.
5. Μην βραχυκυκλώνετε την κασέτα μπαταριών:
  - (1) Μην αγγίζετε τους πόλους με οτιδήποτε αγώγιμο υλικό.
  - (2) Αποφεύγετε να αποθηκεύετε την κασέτα μπαταριών μέσα σε ένα δοχείο μαζί με άλλα μεταλλικά αντικείμενα όπως καρφιά, νομίσματα, κλπ.
  - (3) Μην εκθέτετε την κασέτα μπαταριών στο νερό ή στη βροχή.Ένα βραχυκύκλωμα μπαταρίας μπορεί να προκαλέσει μεγάλη ροή ρεύματος, υπερθέρμανση, πιθανά εγκαύματα ακόμη και σοβαρή βλάβη.
6. Μην αποθηκεύετε και μην χρησιμοποιείτε το εργαλείο και την κασέτα μπαταριών σε τοποθεσίες όπου η θερμοκρασία μπορεί να φτάσει ή να ξεπεράσει τους 50°C.
7. Μην καίτε την κασέτα μπαταριών ακόμη και εάν έχει σοβαρή ζημιά ή είναι εντελώς φθαρμένη. Η κασέτα μπαταριών μπορεί να εκραγεί στη φωτιά.
8. Μην καρφώσετε, κόψετε, συνθλίψετε, πετάξετε ή ρίξετε κάτω την κασέτα μπαταριών, ούτε να χτυπήσετε ένα σκληρό αντικείμενο επάνω στην κασέτα μπαταριών. Τέτοια συμπεριφορά μπορεί να έχει ως αποτέλεσμα πυρκαγιά, υπερθέρμανση ή έκρηξη.
9. Μην χρησιμοποιείτε μπαταρία που έχει υποστεί ζημιά.
10. Οι μπαταρίες ιόντων λιθίου που περιέχονται υπόκεινται στις απαιτήσεις της νομοθεσίας για επικίνδυνα αγαθά.

Για εμπορικές μεταφορές, για παράδειγμα από τρίτα μέρη, πρέπει να τηρούνται οι διαμεταφορές,

οι ειδικές απαιτήσεις στη συσκευασία και η επισήμανση.

Για προετοιμασία του στοιχείου που αποστέλλεται, είναι απαραίτητο να συμβουλευτείτε έναν ειδικό για επικίνδυνα υλικά. Επίσης, τηρήστε τους πιθανούς, πιο αναλυτικούς εθνικούς κανονισμούς. Καλύψτε με αυτοκόλλητη ταινία ή κρύψτε τις ανοικτές επαφές και συσκευάστε την μπαταρία με τρόπο που να μην μπορεί να μετακινείται μέσα στη συσκευασία.

11. Όταν απορρίπτετε την κασέτα μπαταριών, αφαιρέστε την από το εργαλείο και διαθέστε την σε ένα ασφαλές μέρος. Τηρήστε τους τοπικούς κανονισμούς που σχετίζονται με τη διάθεση της μπαταρίας.
12. Χρησιμοποιήστε τις μπαταρίες μόνο με τα προϊόντα που καθορίζει η Makita. Αν τοποθετήσετε τις μπαταρίες σε μη συμβατά προϊόντα μπορεί να έχει ως αποτέλεσμα πυρκαγιά, υπερβολική θερμότητα, έκρηξη ή διαρροή ηλεκτρολύτη.
13. Αν δεν χρησιμοποιείτε το εργαλείο για μεγάλο χρονικό διάστημα, πρέπει να βγάλετε την μπαταρία από το εργαλείο.
14. Κατά τη διάρκεια και μετά τη χρήση, η κασέτα μπαταριών μπορεί να θερμανθεί, γεγονός που μπορεί να προκαλέσει εγκαύματα ή εγκαύματα από χαμηλή θερμοκρασία. Προσέχετε το χειρισμό των ζεστών κασετών μπαταριών.
15. Μην αγγίζετε τον ακροδέκτη του εργαλείου άμεσα μετά τη χρήση επειδή μπορεί να έχει ζεσταθεί αρκετά για να προκαλέσει εγκαύματα.
16. Μην αφήνετε θραύσματα, σκόνη ή βρομιά να κολλήσει στους ακροδέκτες, τις σπές και τις εγκοπές της κασέτας μπαταριών. Μπορεί να προκαλέσει θέρμανση, φωτιά, έκρηξη και δυσλειτουργία του εργαλείου ή της κασέτας μπαταριών, έχοντας ως αποτέλεσμα εγκαύματα ή προσωπικό τραυματισμό.
17. Εκτός αν το εργαλείο υποστηρίζει τη χρήση κοντά σε ηλεκτρικές γραμμές υψηλής τάσης, μην χρησιμοποιείτε την κασέτα μπαταριών κοντά σε ηλεκτρικές γραμμές υψηλής τάσης. Μπορεί να έχει ως αποτέλεσμα δυσλειτουργία ή στάσιμο του εργαλείου ή της κασέτας μπαταριών.
18. ΚρΦυλάξτε την μπαταρία μακριά από παιδιά.

## ΦΥΛΑΞΤΕ ΤΙΣ ΟΔΗΓΙΕΣ ΑΥΤΕΣ.

**⚠ ΠΡΟΣΟΧΗ:** Να χρησιμοποιείτε μόνο γνήσιες μπαταρίες της Makita. Η χρήση μη γνήσιων μπαταριών Makita, ή μπαταριών που έχουν τροποποιηθεί, μπορεί να έχει ως αποτέλεσμα τη ρήξη της μπαταρίας, προκαλώντας πυρκαγιά, προσωπικό τραυματισμό και βλάβη. Επίσης, θα ακυρωθεί η εγγύηση της Makita για το εργαλείο και φορτιστή Makita.

**ΕΙΔΟΠΟΙΗΣΗ:** Η Makita δεν είναι υπεύθυνη για οποιαδήποτε ατυχήματα προκύπτουν από τη χρήση μη γνήσιων μπαταριών Makita ή μπαταριών που έχουν τροποποιηθεί. Οι γνήσιες μπαταρίες Makita έχουν αξιολογηθεί ενδελεχώς όσον αφορά τη συμβατότητα με εργαλεία και φορτιστές Makita, σε συμμόρφωση με της ισχύουσας νομοθεσία και τα πρότυπα ασφαλείας.

## Συμβουλές για τη διατήρηση της

## Μέγιστη Ζωής Μπαταρίας

1. Φορτίζετε την κασέτα μπαταριών πριν από την πλήρη αποφόρτιση της. Πάντοτε να σταματάτε τη λειτουργία του εργαλείου και να φορτίζετε την κασέτα μπαταριών όταν παρατηρείτε μειωμένη ισχύ εργαλείου.
2. Ποτέ μην επαναφορτίζετε μια πλήρως φορτισμένη κασέτα μπαταριών. Η υπερφόρτιση μειώνει την ωφέλιμη ζωή της μπαταρίας.
3. Να φορτίζετε την κασέτα μπαταριών σε θερμοκρασία δωματίου, δηλαδή στους 10 °C έως 40 °C. Αφήστε μια θερμή κασέτα μπαταριών να κρυώσει πριν την φορτίσετε.
4. Όταν δεν χρησιμοποιείτε την κασέτα μπαταριών, αφαιρέστε την από το εργαλείο ή τον φορτιστή.
5. Να φορτίζετε την κασέτα μπαταριών εάν δεν τη χρησιμοποιείτε για μεγάλη χρονική περίοδο (περισσότερο από έξι μήνες).

## ΣΥΝΑΡΜΟΛΟΓΗΣΗ

**ΠΡΟΕΙΔΟΠΟΙΗΣΗ:** Να βεβαιώνεστε πάντα ότι έχετε βγάλει το κλειδί ασφάλισης και την κασέτα μπαταριών πριν πραγματοποιείτε οποιαδήποτε εργασία στη μηχανή γκαζόν. Αν δεν βγάλετε το κλειδί ασφάλισης και την κασέτα μπαταριών μπορεί να έχει ως αποτέλεσμα σοβαρό προσωπικό τραυματισμό από τυχαία εκκίνηση.

**ΠΡΟΕΙΔΟΠΟΙΗΣΗ:** Μη βάζετε ποτέ μπροστά τη μηχανή γκαζόν αν δεν είναι πλήρως συναρμολογημένη. Η λειτουργία του μηχανήματος σε μερικούς συναρμολογημένη κατάσταση μπορεί να έχει ως αποτέλεσμα σοβαρό προσωπικό τραυματισμό από τυχαία έναρξη.

## Εγκατάσταση του καλύμματος μπαταριών

**ΠΡΟΕΙΔΟΠΟΙΗΣΗ:** Μην εισαγάγετε το κλειδί ασφάλισης και την κασέτα μπαταριών πριν τοποθετήσετε το κάλυμμα μπαταριών. Αν δεν το κάνετε αυτό, μπορεί να προκληθεί σοβαρός τραυματισμός.

Τοποθετήστε το κάλυμμα μπαταριών πλήρως πριν τη λειτουργία. Το κάλυμμα μπαταριών προστατεύει τη μηχανή γκαζόν και την κασέτα μπαταριών από λάσπη, βρομιά και νερό.

1. Τοποθετήστε το κάλυμμα μπαταριών με τις προεξοχές στη μηχανή γκαζόν ευθυγραμμισμένες με τις οπές στο κάλυμμα μπαταριών.

► **Εικ.1:** 1. Προεξοχή 2. Οπή 3. Κάλυμμα μπαταριών

2. Τοποθετήστε τα χέρια σας στη μέση του καλύμματος μπαταριών και πιέστε το.

► **Εικ.2**

3. Πριν την πρώτη λειτουργία, ελέγξτε ότι το σημείο περιστροφής του καλύμματος μπαταριών είναι προσαρτημένος σωστά. Αν το κάλυμμα μπαταριών τοποθετηθεί σωστά, δεν θα ανοίξει μέχρι να τραβήξετε το μοχλό ασφάλισης καλύμματος μπαταριών.

► **Εικ.3:** 1. Σημείο περιστροφής 2. Μοχλός ασφάλισης καλύμματος μπαταριών

## Τοποθέτηση της λαβής

**ΕΙΔΟΠΟΙΗΣΗ:** Όταν τοποθετείτε τις λαβές, τοποθετήστε τα καλώδια για να μην πιαστούν από οτιδήποτε μεταξύ των λαβών. Αν το καλώδιο είναι κατεστραμμένο, ο διακόπτης της μηχανής γκαζόν μπορεί να μη λειτουργεί.

1. Σύρετε και τα δύο άκρα της κάτω λαβής μέσα στις εγκοπές της μηχανής γκαζόν και μετά σφίξτε πλήρως τις βίδες σύσφιξης.

► **Εικ.4:** 1. Βίδα σύσφιξης 2. Κάτω λαβή

2. Ευθυγραμμίστε τις οπές βιδών της άνω λαβής και της κάτω λαβής. Ασφαλίστε τις με τις βίδες και τα παξιμάδια σύσφιξης.

► **Εικ.5:** 1. Παξιμάδι σύσφιξης 2. Βίδα σύσφιξης

**ΠΑΡΑΤΗΡΗΣΗ:** Κρατήστε καλά την άνω λαβή για να μην πέσει από το χέρι σας.

3. Προσαρτήστε τους υποδοχείς στις λαβές. Τοποθετήστε το ηλεκτρικό καλώδιο όπως απεικονίζεται στην εικόνα.

► **Εικ.6:** 1. Υποδοχέας

## Αφαίρεση του προσαρτήματος εδαφοκάλυψης

### Προαιρετικό εξάρτημα

1. Ανοίξτε το πίσω κάλυμμα.

► **Εικ.7:** 1. Πίσω κάλυμμα

2. Κρατήστε το προάρτημα εδαφοκάλυψης από τη λαβή και μετά τραβήξτε το από το κύριο τμήμα της μηχανής γκαζόν όπως απεικονίζεται στην εικόνα.

► **Εικ.8:** 1. Προάρτημα εδαφοκάλυψης 2. Λαβή

## Συναρμολόγηση του καλαθιού γρασιδιού

Για να συναρμολογήσετε το καλάθι γρασιδιού, εκτελέστε τα ακόλουθα βήματα.

1. Εισαγάγετε τον σκελετό στις οπές στο καλάθι γρασιδιού υπό ελαφρά κλίση ενώ κρατάτε προς τα πάνω το κλιπ όπως απεικονίζεται στην εικόνα.

► **Εικ.9:** 1. Κλιπ 2. Σκελετός 3. Οπή

2. Ανοίξτε όλα τα κλιπ και συνδέστε τα με ασφάλεια στον σκελετό.

► **Εικ.10:** 1. Κλιπ

3. Σφίξτε τα δύο μπουλόνια με το εξαγωγικό κλειδί που περιλαμβάνεται στη συσκευασία του μηχανήματος για να τα ασφαλίσετε.

► **Εικ.11:** 1. Μπουλόνια 2. Εξαγωγικό κλειδί

## Τοποθέτηση του καλαθιού γρασιδιού

1. Ανοίξτε το πίσω κάλυμμα.

► **Εικ.12:** 1. Πίσω κάλυμμα

2. Γαντζώστε το καλάθι γρασιδιού στη ράβδο του κυρίου τμήματος της μηχανής γκαζόν όπως

απεικονίζεται στην εικόνα.

► **Εικ.13:** 1. Γάντζος 2. Ράβδος 3. Καλάθι γρασιδιού

## Σύνδεση του προσαρτήματος εδαφοκάλυψης

### Προαιρετικό εξάρτημα

1. Ανοίξτε το πίσω κάλυμμα και μετά αφαιρέστε το καλάθι γρασιδιού.

► **Εικ.14:** 1. Πίσω κάλυμμα 2. Καλάθι γρασιδιού

2. Κρατήστε το προσαρτήμα εδαφοκάλυψης από τη λαβή και μετά συνδέστε το στο κύριο τμήμα της μηχανής γκαζόν όπως απεικονίζεται στην εικόνα.

► **Εικ.15:** 1. Προσαρτήμα εδαφοκάλυψης 2. Λαβή

## ΠΕΡΙΓΡΑΦΗ ΛΕΙΤΟΥΡΓΙΑΣ

### Τοποθέτηση ή αφαίρεση της κασέτας μπαταριών

**▲ ΠΡΟΣΟΧΗ:** Να σβήνετε πάντα το μηχάνημα πριν τοποθετήσετε ή αφαιρέσετε την κασέτα μπαταριών.

**▲ ΠΡΟΣΟΧΗ:** Βεβαιωθείτε να ασφαλίσετε το κάλυμμα μπαταριών πριν από τη χρήση. Διαφορετικά, η λάσπη, η σκόνη ή το νερό μπορεί να προκαλέσουν ζημιά στο προϊόν ή στην κασέτα μπαταριών.

**▲ ΠΡΟΣΟΧΗ:** Να τοποθετείτε πάντα την κασέτα μπαταριών πλήρως μέχρι να μην βλέπετε την κόκκινη ένδειξη. Σε αντίθετη περίπτωση, μπορεί να πέσει κατά λάθος από το μηχάνημα και να τραυματίσει εσάς ή κάποιον παρευρισκόμενο.

**▲ ΠΡΟΣΟΧΗ:** Μην τοποθετείτε την κασέτα μπαταριών με βία. Αν η κασέτα δεν εισέρχεται με ευκολία, δεν είναι τοποθετημένη σωστά.

**ΠΑΡΑΤΗΡΗΣΗ:** Το μηχάνημα δεν λειτουργεί με μόνο μία κασέτα μπαταριών.

### Για να τοποθετήσετε την κασέτα μπαταριών:

1. Σύρετε το μοχλό ασφάλισης καλύμματος μπαταριών και ανοίξτε το κάλυμμα μπαταριών.

► **Εικ.16:** 1. Κάλυμμα μπαταριών 2. Μοχλός ασφάλισης καλύμματος μπαταριών

2. Ευθυγραμμίστε τη γλωττίδα της κασέτας μπαταριών με τη σχισμή στη μηχανή γκαζόν και μετά σύρετε την κασέτα μέχρι να ασφαλίσει στη θέση της με ένα χαρακτηριστικό ήχο.

► **Εικ.17:** 1. Κασέτα μπαταριών

3. Εισαγάγετε το κλειδί ασφάλισης στη θέση που απεικονίζεται στην εικόνα μέχρι τέρμα.

► **Εικ.18:** 1. Κλειδί ασφάλισης

4. Κλείστε το κάλυμμα μπαταριών και ωθήστε το μέχρι να ασφαλίσει με το μοχλό ασφάλισης.

### Για να βγάλετε την κασέτα μπαταριών από τη μηχανή γκαζόν:

1. Σύρετε το μοχλό ασφάλισης καλύμματος μπαταριών και ανοίξτε το κάλυμμα μπαταριών.

2. Τραβήξτε έξω την κασέτα μπαταριών από τη μηχανή γκαζόν ενώ σύρετε το κουμπί στο μπροστινό μέρος της κασέτας.

3. Τραβήξτε προς τα έξω το κλειδί ασφάλισης.

4. Κλείστε το κάλυμμα μπαταριών.

## Σύστημα προστασίας μηχανήματος / μπαταρίας

Το μηχάνημα είναι εξοπλισμένο με ένα σύστημα προστασίας μηχανήματος / μπαταρίας. Αυτό το σύστημα αποκόπτει αυτόματα την ισχύ προς το μοτέρ για να παραταθεί η διάρκεια λειτουργίας του εργαλείου και της μπαταρίας. Το μηχάνημα σταματάει αυτόματα κατά τη διάρκεια της λειτουργίας αν το μηχάνημα ή η μπαταρία βρεθούν κάτω από τις παρακάτω συνθήκες.

### Προστασία υπερφόρτωσης

Όταν το μηχάνημα λειτουργεί με τρόπο ώστε να αναγκάζεται να καταναλώνει ασυνήθιστα υψηλό ρεύμα, το μηχάνημα σταματάει αυτόματα χωρίς καμία ένδειξη. Σε αυτή την κατάσταση, απενεργοποιήστε το μηχάνημα και διακόψτε την εφαρμογή που προκαλεί την υπερφόρτωση του μηχανήματος. Μετά, ενεργοποιήστε το μηχάνημα για επανεκκίνηση.

### Προστασία υπερθέρμανσης

Όταν το μηχάνημα υπερθερμαίνεται, το μηχάνημα σταματάει αυτόματα. Αφήστε να μειωθεί η θερμοκρασία του μηχανήματος πριν ενεργοποιήσετε ξανά το μηχάνημα.

### Προστασία υπερβολικής αποφόρτισης

Όταν μειωθεί η χωρητικότητα μπαταρίας, το μηχάνημα σταματάει αυτόματα. Αν το προϊόν δεν τίθεται σε λειτουργία ακόμα και όταν πραγματοποιείται χειρισμός των διακοπών, βγάλτε τις μπαταρίες από το μηχάνημα και φορτίστε τις.

## Υπόδειξη υπόλοιπης χωρητικότητας μπαταρίας

► **Εικ.19:** 1. Ένδειξη μπαταρίας

Όταν το υπολειπόμενο φορτίο της μπαταρίας είναι χαμηλό, η ένδειξη μπαταρίας αναβοσβήνει στην κατάλληλη πλευρά μπαταρίας. Με περαιτέρω χρήση, το μηχάνημα σταματάει και η ένδειξη μπαταρίας ανάβει. Σε αυτή την κατάσταση, φορτίστε την κασέτα μπαταριών.

## Εμφάνιση υπολειπόμενης χωρητικότητας μπαταρίας

### Μόνο για κασέτες μπαταρίας με την ενδεικτική λυχνία

Πιέστε το κουμπί ελέγχου στην κασέτα μπαταριών για να υποδείξετε την υπολειπόμενη χωρητικότητα μπαταρίας. Οι ενδεικτικές λυχνίες ανάβουν για λίγα δευτερόλεπτα.

► **Εικ.20:** 1. Ενδεικτικές λυχνίες 2. Κουμπτί ελέγχου

| Ενδεικτικές λυχνίες |         |                   | Υπολει-<br>πόμενη<br>χωρητικότητα               |
|---------------------|---------|-------------------|---|
| Αναμμένες           | Σβηστές | Αναβο-<br>σβήθουν |   |
|                     |         |                   | 75% έως 100%                                    |
|                     |         |                   | 50% έως 75%                                     |
|                     |         |                   | 25% έως 50%                                     |
|                     |         |                   | 0% έως 25%                                      |
|                     |         |                   | Φορτίστε την μπαταρία.                          |
|                     |         |                   | Μπορεί να προέκυψε δυσλειτουργία στην μπαταρία. |

**ΠΑΡΑΤΗΡΗΣΗ:** Ανάλογα με τις συνθήκες χρήσης και τη θερμοκρασία περιβάλλοντος, η ένδειξη μπορεί να διαφέρει λίγο από την πραγματική χωρητικότητα.

**ΠΑΡΑΤΗΡΗΣΗ:** Η πρώτη (τέρμα αριστερά) ενδεικτική λυχνία θα αναβοσβήνει όταν λειτουργεί το σύστημα προστασίας μπαταρίας.

## Δράση διακόπτη

**▲ ΠΡΟΕΙΔΟΠΟΙΗΣΗ:** Πριν τοποθετήσετε την κασέτα μπαταριών, να ελέγχετε πάντοτε ότι ο μοχλός διακόπτη ενεργοποιείται κανονικά και επιστρέφει στην αρχική θέση όταν ελευθερώνεται. Η λειτουργία ενός μηχανήματος με ένα διακόπτη που δεν ενεργοποιείται σωστά μπορεί να οδηγήσει σε απώλεια ελέγχου και σοβαρό προσωπικό τραυματισμό.

**ΠΑΡΑΤΗΡΗΣΗ:** Η μηχανή γκαζόν δεν ενεργοποιείται αν δεν πατήσετε το κουμπτί διακόπτη ακόμα και αν έχετε τραβήξει το μοχλό διακόπτη.

**ΠΑΡΑΤΗΡΗΣΗ:** Η μηχανή γκαζόν δεν ξεκινάει λόγω της υπερφόρτωσης που συμβαίνει όταν προσπαθείτε να κουρέψετε πολύ μακρύ ή πυκνό γκαζόν με τη μία. Στην περίπτωση αυτή αυξήστε το ύψος κουρέματος.

Αυτή η μηχανή γκαζόν είναι εξοπλισμένη με διακόπτη αλληλασφάλισης και διακόπτη λαβής. Αν παρατηρήσετε οτιδήποτε ασυνήθιστο με οποιονδήποτε από αυτούς τους διακόπτες, διακόψτε αμέσως τη λειτουργία και φροντίστε να ελεγχθούν από το πλησιέστερο εξουσιοδοτημένο κέντρο εξυπηρέτησης της Makita.

1. Τοποθετήστε τις κασέτες μπαταριών. Εισαγάγετε το κλειδί ασφάλισης στο διακόπτη αλληλασφάλισης και μετά κλείστε το κάλυμμα μπαταριών.

► **Εικ.21:** 1. Κασέτα μπαταριών 2. Κλειδί ασφάλισης

2. Πατήστε παρατεταμένα το κουμπτί διακόπτη.

3. Πιάστε την άνω λαβή και τραβήξτε το μοχλό διακόπτη.

► **Εικ.22:** 1. Κουμπτί διακόπτη 2. Μοχλός διακόπτη

4. Αφήστε το κουμπτί διακόπτη μόλις πάρει μπροστά το μοτέρ. Η μηχανή γκαζόν θα συνεχίσει να λειτουργεί μέχρι να αφήσετε το μοχλό διακόπτη.

5. Για να σταματήσετε το μοτέρ, αφήστε το μοχλό διακόπτη.

## Ρύθμιση του ύψους κουρέματος

**▲ ΠΡΟΕΙΔΟΠΟΙΗΣΗ:** Μη βάζετε ποτέ το χέρι ή το πόδι σας κάτω από τη μονάδα της μηχανής γκαζόν όταν ρυθμίζετε το ύψος κουρέματος.

**▲ ΠΡΟΕΙΔΟΠΟΙΗΣΗ:** Να βεβαιώνετε πάντα ότι ο μοχλός προσαρμόζεται σωστά στην εγκοπή πριν από τη λειτουργία.

Το ύψος κουρέματος μπορεί να ρυθμιστεί στο εύρος από 20 mm έως 75 mm.

1. Βγάλτε το κλειδί ασφάλισης.

2. Τραβήξτε το μοχλό ρύθμισης ύψους κουρέματος προς την εξωτερική πλευρά της μονάδας της μηχανής γκαζόν και μετακινήστε τη στο ύψος κουρέματος που επιθυμείτε.

► **Εικ.23:** 1. Μοχλός ρύθμισης ύψους κουρέματος

**ΠΑΡΑΤΗΡΗΣΗ:** Οι τιμές του ύψους κουρέματος πρέπει να χρησιμοποιούνται μόνο ως οδηγός. Ανάλογα με τις συνθήκες χρήσης του γκαζόν ή του εδάφους, το πραγματικό ύψος γκαζόν μπορεί να διαφέρει λίγο από το ρυθμισμένο ύψος.

**ΠΑΡΑΤΗΡΗΣΗ:** Κάντε ένα δοκιμαστικό κούρεμα του γκαζόν σε ένα λιγότερο εμφανές μέρος για να πετύχετε το επιθυμητό ύψος.

## Ένδειξη στάθμης γρασιδιού

► **Εικ.24:** 1. Ένδειξη στάθμης γρασιδιού

Η ένδειξη στάθμης γρασιδιού δείχνει τον όγκο του κουρεμένου γρασιδιού.

- Όταν το καλάθι γρασιδιού δεν είναι γεμάτο, η ένδειξη αιωρείται κατά το κούρεμα.
- Όταν το καλάθι γρασιδιού είναι γεμάτο, η ένδειξη δεν αιωρείται κατά το κούρεμα. Σε αυτή την περίπτωση, διακόψτε αμέσως το κούρεμα του γκαζόν και αδειάστε το καλάθι. Αφού αδειάσετε το καλάθι, καθαρίστε το ώστε να διέρχεται αέρας από το δίχτυ.

**ΠΑΡΑΤΗΡΗΣΗ:** Αυτή η ένδειξη είναι ένας πρόχειρος οδηγός. Ανάλογα με τις συνθήκες στο εσωτερικό του καλάθιου, αυτή η ένδειξη μπορεί να μη λειτουργεί σωστά.

## Χρήση του προσαρτήματος εδαφοκάλυψης

### Προαιρετικό εξάρτημα

Το προάρτημα εδαφοκάλυψης σας επιτρέπει να επιστρώσετε το κομμένο γκαζόν στο έδαφος χωρίς να μαζέψετε το κομμένο γκαζόν μέσα στο καλάθι γρασιδιού. Όταν θέτετε το μηχανήμα σε λειτουργία με προάρτημα εδαφοκάλυψης, βεβαιωθείτε να αφαιρέσετε το καλάθι γρασιδιού.

**ΕΙΔΟΠΟΙΗΣΗ:** Όταν χρησιμοποιείτε το μηχάνημα με προσάρτημα εδαφοκάλυψης, βεβαιωθείτε ότι το συνολικό μήκος του γρασιδιού μετά την κοπή είναι 30 mm ή μεγαλύτερο, και το μήκος κοπής είναι 15 mm ή μικρότερο.

► **Εικ.25:** (1) 30 mm ή μεγαλύτερο (2) 15 mm ή λιγότερο

## ΛΕΙΤΟΥΡΓΙΑ

### Κούρεμα γκαζόν

**▲ ΠΡΟΕΙΔΟΠΟΙΗΣΗ:** Πριν κουρέψετε το γκαζόν, καθαρίστε τα ξύλα και τις πέτρες από την περιοχή που θα κουρέψετε. Επιπλέον, καθαρίστε εκ των προτέρων τυχόν αγριόχορτα από την περιοχή που θα κουρέψετε.

**▲ ΠΡΟΕΙΔΟΠΟΙΗΣΗ:** Να φοράτε πάντα προστατευτικά γυαλιά-προσωπίδες ή γυαλιά ασφαλείας με πλαϊνά προστατευτικά όταν χειρίζεστε τη μηχανή γκαζόν.

**▲ ΠΡΟΣΟΧΗ:** Αν το κομμένο γκαζόν ή κάποιο ξένο αντικείμενο κολλήσει μέσα στο κύριο τμήμα της μηχανής γκαζόν, βεβαιωθείτε να αφαιρέσετε το κλειδί ασφάλισης και την κασέτα μπαταριών και να φορέσετε γάντια πριν αφαιρέσετε το γρασίδι ή το ξένο αντικείμενο.

**ΕΙΔΟΠΟΙΗΣΗ:** Χρησιμοποιήστε αυτό το μηχάνημα μόνο για το κούρεμα του γκαζόν. Μην κούρεψετε αγριόχορτα με αυτό το μηχάνημα.

► **Εικ.26**

Κατά το κούρεμα, να κρατάτε τη λαβή σταθερά με τα δύο χέρια.

Οι κατευθυντήριες οδηγίες για την ταχύτητα κουρέματος είναι περίπου 1 μέτρο ανά 4 δευτερόλεπτα.

► **Εικ.27**

Τα εξωτερικά άκρα των μπροστινών τροχών αποτελούν οδηγούς για το πλάτος κουρέματος. Χρησιμοποιώντας τα εξωτερικά άκρα των μπροστινών τροχών ως οδηγούς, κουρέψτε το γκαζόν σε λωρίδες. Επικάλυψτε το μισό ή το ένα τρίτο της προηγούμενης λωρίδας για να πετύχετε ομοιόμορφο κούρεμα του γκαζόν.

► **Εικ.28:** 1. Πλάτος κουρέματος 2. Περιοχή επικάλυψης 3. Εξωτερικό άκρο

Να αλλάζετε την κατεύθυνση κουρέματος κάθε φορά για να εμποδίσετε την ανάπτυξη των σπόρων γρασιδιού μόνο προς μία κατεύθυνση.

► **Εικ.29**

Να ελέγχετε περιοδικά το καλάθι γρασιδιού για κουρεμένο γρασίδι. Αδειάστε το καλάθι γρασιδιού πριν γεμίσει. Πριν από κάθε περιοδικό έλεγχο, βεβαιωθείτε να σβήσετε τη μηχανή γκαζόν και μετά να βγάλετε το κλειδί ασφάλισης και την κασέτα μπαταριών.

**ΕΙΔΟΠΟΙΗΣΗ:** Η χρήση της μηχανής γκαζόν με το καλάθι γρασιδιού γεμάτο αποτρέπει την ομαλή περιστροφή της λάμας και θέτει επιπλέον φορτίο στο μοτέρ, το οποίο μπορεί να προκαλέσει βλάβη.

### Κούρεμα μακριού γκαζόν

Μην προσπαθείτε να κουρέψετε μακρύ γκαζόν με τη μία. Αντ' αυτού, κουρέψτε το γκαζόν σε στάδια. Αφήστε μία ή δύο μέρες ανάμεσα στα κουρέματα, μέχρι το γκαζόν να είναι ομοιόμορφα κοντό.

**ΠΑΡΑΤΗΡΗΣΗ:** Αν κουρέψετε το μακρύ γκαζόν κοντό με τη μία μπορεί να έχει ως αποτέλεσμα να νεκρωθεί το γκαζόν. Το κομμένο χορτάρι μπορεί επίσης να φράξει το εσωτερικό της μονάδας της μηχανής γκαζόν.

### Αδειασμα του καλάθιου γρασιδιού

**▲ ΠΡΟΕΙΔΟΠΟΙΗΣΗ:** Για τη μείωση του κινδύνου πρόκλησης ατυχήματος, να ελέγχετε τακτικά το καλάθι γρασιδιού για τυχόν ζημιά ή μειωμένη αντοχή. Αντικαταστήστε το καλάθι γρασιδιού, αν απαιτείται.

1. Απελευθερώστε το μοχλό διακοπής.
2. Βγάλετε το κλειδί ασφάλισης.
3. Ανοίξτε το πίσω κάλυμμα και βγάλετε το καλάθι γρασιδιού ενώ κρατάτε τη λαβή.  
► **Εικ.30:** 1. Πίσω κάλυμμα 2. Λαβή
4. Αδειάστε το καλάθι γρασιδιού.

## ΣΥΝΤΗΡΗΣΗ

**▲ ΠΡΟΕΙΔΟΠΟΙΗΣΗ:** Να βεβαιώνετε πάντα ότι έχετε βγάλει το κλειδί ασφάλισης και την κασέτα μπαταριών από τη μηχανή γκαζόν πριν από την αποθήκευση ή τη μεταφορά της μηχανής γκαζόν καθώς και πριν επιχειρήσετε να εκτελέσετε εργασίες επιθεώρησης ή συντήρησης.

**▲ ΠΡΟΕΙΔΟΠΟΙΗΣΗ:** Να αφαιρείτε πάντοτε το κλειδί ασφάλισης όταν δεν χρησιμοποιείτε τη μηχανή γκαζόν. Φυλάξτε το κλειδί ασφάλισης σε ένα ασφαλές μέρος μακριά από παιδιά.

**▲ ΠΡΟΕΙΔΟΠΟΙΗΣΗ:** Να φοράτε γάντια όταν εκτελείτε εργασίες επιθεώρησης ή συντήρησης.

**▲ ΠΡΟΕΙΔΟΠΟΙΗΣΗ:** Να φοράτε πάντα προστατευτικά γυαλιά-προσωπίδες ή γυαλιά ασφαλείας με πλαϊνά προστατευτικά όταν εκτελείτε εργασίες επιθεώρησης ή συντήρησης.

**ΕΙΔΟΠΟΙΗΣΗ:** Μην χρησιμοποιείτε ποτέ βενζίνη, πετρελαϊκό αιθέρα, διαλυτικό, αλκοόλη ή παρόμοιες ουσίες. Μπορεί να προκληθεί αποχρωματισμός, παραμόρφωση ή ρωγμές.

Για τη διατήρηση της ΑΣΦΑΛΕΙΑΣ και ΑΞΙΟΠΙΣΤΙΑΣ του προϊόντος, οι επισκευές και οποιαδήποτε άλλη εργασία συντήρησης ή ρύθμισης πρέπει να εκτελούνται από εξουσιοδοτημένα ή εργοστασιακά κέντρα εξυπηρέτησης της Makita, χρησιμοποιώντας πάντοτε ανταλλακτικά της

## Συντήρηση

1. Βγάλτε το κλειδί ασφάλισης. Φυλάξτε το σε ένα ασφαλές μέρος μακριά από παιδιά.
2. Καθαρίστε τη μηχανή γκαζόν μόνο με ένα βρεγμένο πανί. Μην ψεκάζετε και μη χύνετε νερό στη μηχανή γκαζόν όταν την καθαρίζετε.
3. Τοποθετήστε τη μηχανή γκαζόν στο πλάι και καθαρίστε τα μικρά κομμάτια χορταριού που έχουν συσσωρευτεί στο κάτω μέρος της βάσης της μηχανής γκαζόν.
4. Ελέγξτε αν είναι σφικτά όλα τα παξιμάδια, τα μπουλόνια, οι διακόπτες, οι βίδες, οι σύνδεσμοι, κτλ.
5. Επιθεωρήστε τα κινούμενα μέρη για ζημιά, σπάσιμο και φθορά. Τα μέρη που έχουν υποστεί ζημιά ή που λείπουν πρέπει να επισκευαστούν ή να αντικατασταθούν.

## Αποθήκευση

**ΠΡΟΕΙΔΟΠΟΙΗΣΗ:** Κατά τη μεταφορά ή αποθήκευση της μηχανής γκαζόν, μην την κρατάτε από τις αναδιπλούμενες λαβές αλλά να πιάνετε την μπροστινή λαβή της μηχανής γκαζόν. Αν κρατάτε τη μηχανή γκαζόν από τις αναδιπλούμενες λαβές, μπορεί να προκληθεί σοβαρός τραυματισμός ή ζημιά στη μηχανή γκαζόν.

Πριν από την αποθήκευση της μηχανής γκαζόν, βγάλτε την κασέτα μπαταριών και το κλειδί ασφάλισης. Αποθηκεύστε τη μηχανή γκαζόν σε εσωτερικό, δροσερό και στεγνό, κλειδωμένο χώρο. Μην αποθηκεύετε τη μηχανή γκαζόν και το φορτιστή σε μέρη όπου η θερμοκρασία μπορεί να φτάσει ή να ξεπεράσει τους 40 °C.

► **Εικ.31:** 1. Μπροστινή λαβή 2. Πίσω λαβή

1. Χαλαρώστε τις βίδες σύσφιξης και επεκτείνετε την κάτω λαβή προς τις δύο πλευρές. Μετακινήστε τη λαβή προς τα εμπρός. Αυτή τη στιγμή, κρατήστε καλά την κάτω λαβή για να μην πέσει η λαβή στη μακρινή πλευρά της μονάδας της μηχανής γκαζόν.

► **Εικ.32:** 1. Βίδα σύσφιξης 2. Κάτω λαβή

2. Χαλαρώστε τα παξιμάδια σύσφιξης και περιστρέψτε την άνω λαβή προς τα πίσω ενώ επεκτείνεται και τις δύο πλευρές.

► **Εικ.33:** 1. Παξιμάδι σύσφιξης 2. Άνω λαβή

3. Αποθηκεύστε το καλάθι γρασιδιού μεταξύ της λαβής και του σώματος της μηχανής γκαζόν.

► **Εικ.34:** 1. Καλάθι γρασιδιού

**ΠΑΡΑΤΗΡΗΣΗ:** Όταν τοποθετείτε τη μηχανή γκαζόν στην όρθια θέση, μην κρατάτε τη λαβή αλλά να χρησιμοποιείτε την μπροστινή λαβή της μηχανής γκαζόν.

## Αφαίρεση ή τοποθέτηση της λάμας της μηχανής γκαζόν

**ΠΡΟΕΙΔΟΠΟΙΗΣΗ:** Να αφαιρείτε πάντα το κλειδί ασφάλισης και την κασέτα μπαταριών όταν αφαιρείτε ή τοποθετείτε τη λάμα. Αν δεν αφαιρέσετε το κλειδί ασφάλισης και την κασέτα μπαταριών μπορεί να προκληθεί σοβαρός τραυματισμός.

**ΠΡΟΕΙΔΟΠΟΙΗΣΗ:** Η λάμα κινείται ελεύθερα για μερικά δευτερόλεπτα αφού αφήσετε το διακόπτη. Μην ξεκινήσετε καμία λειτουργία αν η λάμα δεν σταματήσει εντελώς.

**ΠΡΟΕΙΔΟΠΟΙΗΣΗ:** Να φοράτε πάντα γάντια κατά το χειρισμό της λάμας.

## Αφαίρεση της λάμας της μηχανής γκαζόν

### Για DLM382

1. Τοποθετήστε τη μηχανή γκαζόν στο πλάι ώστε ο μοχλός ρύθμισης ύψους κουρέματος να τοποθετηθεί στην άνω πλευρά.
2. Για να ασφαλίσετε την περιστροφή της λάμας, εισαγάγετε ένα κατσαβίδι ή παρόμοιο εργαλείο μέσα στην οπή στο κύριο τμήμα της μηχανής γκαζόν.
3. Περιστρέψτε το μπουλόνι αριστερόστροφα με το κλειδί.
  - **Εικ.35:** 1. Λάμα της μηχανής γκαζόν 2. Κατσαβίδι 3. Κλειδί
4. Αφαιρέστε το μπουλόνι και τη λάμα με τη σειρά.
  - **Εικ.36:** 1. Στήριξη λάμας 2. Λάμα της μηχανής γκαζόν 3. Μπουλόνι

### Για DLM432

1. Τοποθετήστε τη μηχανή γκαζόν στο πλάι ώστε ο μοχλός ρύθμισης ύψους κουρέματος να τοποθετηθεί στην άνω πλευρά.
2. Για να ασφαλίσετε την περιστροφή της λάμας, εισαγάγετε ένα κατσαβίδι ή παρόμοιο εργαλείο μέσα στην οπή στο κύριο τμήμα της μηχανής γκαζόν.
3. Περιστρέψτε το μπουλόνι αριστερόστροφα με το κλειδί.
  - **Εικ.37:** 1. Λάμα της μηχανής γκαζόν 2. Κατσαβίδι 3. Κλειδί
4. Αφαιρέστε το μπουλόνι, την εξωτερική φλάντζα, τη λάμα της μηχανής γκαζόν και την εσωτερική φλάντζα με τη σειρά.
  - **Εικ.38:** 1. Εσωτερική φλάντζα 2. Λάμα της μηχανής γκαζόν 3. Εξωτερική φλάντζα 4. Μπουλόνι

## Τοποθέτηση της λάμας της μηχανής γκαζόν

Για να τοποθετήσετε τη λάμα της μηχανής γκαζόν, ακολουθήστε τη διαδικασία αφαίρεσης με αντίστροφη σειρά.



**⚠ ΠΡΟΕΙΔΟΠΟΙΗΣΗ:** Τοποθετήστε τη λάμα της μηχανής γκαζόν προσεκτικά. Έχει άνω/κάτω πρόσοψη. Τοποθετήστε τη λάμα ώστε το περιστροφικό βέλος κατεύθυνσης να είναι στραμμένο προς τα έξω.

**⚠ ΠΡΟΕΙΔΟΠΟΙΗΣΗ:** Σφίξτε καλά το μπουλόνι δεξιόστροφα για να ασφαλίσετε τη λάμα.

**⚠ ΠΡΟΕΙΔΟΠΟΙΗΣΗ:** Βεβαιωθείτε ότι η λάμα της μηχανής γκαζόν και όλα τα μέρη στερέωσης είναι σωστά τοποθετημένα και καλά σφιγμένα.

**⚠ ΠΡΟΕΙΔΟΠΟΙΗΣΗ:** Όταν αλλάζετε τις λάμες, πάντα να ακολουθείτε τις οδηγίες που παρέχονται στο παρόν εγχειρίδιο.

## ΑΝΤΙΜΕΤΩΠΙΣΗ ΠΡΟΒΛΗΜΑΤΩΝ

Πριν ζητήσετε επισκευές, εκτελέστε αρχικά τη δική σας επιθεώρηση. Αν εντοπίσετε πρόβλημα που δεν επεξηγείται στο εγχειρίδιο, μην επιχειρήσετε να αποσυναρμολογήσετε το εργαλείο. Αντ' αυτού, ζητήστε βοήθεια από εξουσιοδοτημένα κέντρα εξυπηρέτησης της Makita και πάντοτε να χρησιμοποιείτε γνήσια ανταλλακτικά της Makita.

| Κατάσταση προβλήματος   | Πιθανή αιτία (δυσλειτουργία)   | Αποκατάσταση   |
|---|--|--|
| Η μηχανή γκαζόν δεν ενεργοποιείται.   | Δεν είναι τοποθετημένες δύο κασέτες μπαταριών.                         | Τοποθετήστε τις φορτισμένες κασέτες μπαταριών.   |
|   | Πρόβλημα μπαταριών (μικρή τάση)  | Επαναφορτίστε την κασέτα μπαταριών. Αν η επαναφόρτιση δεν είναι αποτελεσματική, αντικαταστήστε την κασέτα μπαταριών. |
|   | Δεν έχετε εισαγάγει το κλειδί ασφάλισης.                               | Εισαγάγετε το κλειδί ασφάλισης.  |
| Το μοτέρ σταματά να λειτουργεί μετά από μικρή χρήση.                                  | Το επίπεδο φόρτισης μπαταρίας είναι χαμηλό.                            | Επαναφορτίστε την κασέτα μπαταριών. Αν η επαναφόρτιση δεν είναι αποτελεσματική, αντικαταστήστε την κασέτα μπαταριών. |
|   | Το ύψος κουρέματος έχει ρυθμιστεί πολύ χαμηλά.                         | Αυξήστε το ύψος κουρέματος.  |
| Το μοτέρ δεν φτάνει τις μέγιστες ΣΑΛ.   | Η κασέτα μπαταριών δεν είναι σωστά τοποθετημένη.                       | Τοποθετήστε την κασέτα μπαταριών όπως περιγράφεται σε αυτό το εγχειρίδιο.  |
|   | Η ισχύς της μπαταρίας πέφτει.  | Επαναφορτίστε την κασέτα μπαταριών. Αν η επαναφόρτιση δεν είναι αποτελεσματική, αντικαταστήστε την κασέτα μπαταριών. |
|   | Το σύστημα μετάδοσης κίνησης δεν λειτουργεί σωστά.                     | Απευθυνθείτε στο τοπικό εξουσιοδοτημένο κέντρο εξυπηρέτησης για επισκευή.  |
| Η λάμα της μηχανής γκαζόν δεν περιστρέφεται:<br>⇒ σταματήστε αμέσως τη μηχανή γκαζόν! | Έχει φράξει ένα ξένο αντικείμενο, όπως ένα κλαδί, κοντά στη λάμα.      | Αφαιρέστε το ξένο αντικείμενο.   |
|   | Το σύστημα μετάδοσης κίνησης δεν λειτουργεί σωστά.                     | Απευθυνθείτε στο τοπικό εξουσιοδοτημένο κέντρο εξυπηρέτησης για επισκευή.  |
| Ασυνήθιστοι κραδασμοί:<br>⇒ σταματήστε αμέσως τη μηχανή γκαζόν!                       | Η λάμα δεν είναι ισορροπημένη ή έχει φθαρεί υπερβολικά ή ανομοιόμορφα. | Αντικαταστήστε τη λάμα.  |



# ΠΡΟΑΙΡΕΤΙΚΑ ΕΞΑΡΤΗΜΑΤΑ

**⚠ ΠΡΟΣΟΧΗ:** Αυτά τα εξαρτήματα ή προσαρτήματα συνιστώνται για χρήση με το εργαλείο Makita που περιγράφηκε στις οδηγίες αυτές. Η χρήση οποιωνδήποτε άλλων εξαρτημάτων ή προσαρτημάτων μπορεί να προκαλέσει κίνδυνο τραυματισμού σε άτομα. Να χρησιμοποιείτε τα εξαρτήματα ή προσαρτήματα μόνο για την χρήση που προορίζονται.

Εάν χρειάζεστε οποιαδήποτε βοήθεια για περισσότερες πληροφορίες σε σχέση με αυτά τα εξαρτήματα, απευθυνθείτε στο τοπικό σας κέντρο εξυπηρέτησης Makita.

- Λάμα της μηχανής γκαζόν
- Προσάρτημα εδαφοκάλυψης
- Γνήσια μπαταρία και φορτιστής της Makita

**ΠΑΡΑΤΗΡΗΣΗ:** Μερικά στοιχεία στη λίστα μπορεί να συμπεριλαμβάνονται στη συσκευασία εργαλείου ως στάνταρ εξαρτήματα. Μπορεί να διαφέρουν ανάλογα με τη χώρα.

## TEKNİK ÖZELLİKLER

| Model:   | DLM382                              | DLM432  |   |
|--|-------------------------------------|---|---|
| Bıçme genişliği (bıçak çapı)                   | 380 mm                              | 430 mm  |   |
| Yüksüz hız                                     | 3.700 min <sup>-1</sup>             | 3.600 min <sup>-1</sup>   |   |
| Yedek çim bıçme makinesi bıçağı parça numarası | 191D41-2                            | 191D43-8  |   |
| Boyutlar<br>(U x G x Y)                        | çalışma sırasında                   | U: 1.380 mm ila 1.410 mm<br>G: 450 mm<br>Y: 985 mm ila 1.005 mm | U: 1.435 mm ila 1.490 mm<br>G: 460 mm<br>Y: 1.005 mm ila 1.045 mm |
|  | saklama sırasında<br>(çim sepetsiz) | 860 mm x 450 mm x 475 mm  | 865 mm x 460 mm x 475 mm  |
| Anma gerilimi                                  | D.C. 36 V                           |   |   |
| Net ağırlık                                    | 15,5 - 16,5 kg                      | 16,0 - 16,9 kg  |   |

- Sürekli yapılan araştırma ve geliştirmelerden dolayı, burada belirtilen özellikler önceden bildirilmeksizin değiştirilebilir.
- Özellikler ülkeden ülkeye değişebilir.
- Net ağırlık değeri, kullanma kılavuzunda belirtilen ek parçanın/parçaların ve batarya kartuşunun/kartuşlarının en hafif ve en ağır kombinasyonunu içerir.

## Geçerli batarya kartuşu ve şarj aleti

|                 |   |
|-----------------|---|
| Batarya kartuşu | BL1830B / BL1840B / BL1850B / BL1860B                                 |
| Şarj aleti      | DC18RC / DC18RD / DC18RE / DC18SD / DC18SE / DC18SF / DC18SH / DC18WC |

- Yukarıda listelenen batarya kartuşlarının ve şarj aletlerinin bazıları yaşadığınız bölgeye bağlı olarak mevcut olmayabilir.

**⚠UYARI:** Sadece yukarıda listelenen batarya kartuşlarını ve şarj aletlerini kullanın. Başka batarya kartuşlarının ve şarj aletlerinin kullanılması yaralanma ve/veya yangına neden olabilir.

**⚠UYARI:** Batarya adaptörü veya taşınabilir güç ünitesi gibi kablolu güç kaynaklarını bu makine ile kullanmayın. Bu tür güç kaynaklarının kablosu çalışmayı engelleyebilir ve yaralanmaya neden olabilir.

## Semboller

Ekipmanı için kullanılacak semboller aşağıda gösterilmiştir. Kullanmadan önce anlamlarını anladığınızdan emin olun.



Çok özenli ve dikkatli kullanın.



El kitabını okuyun.



Tehlike; sıçrayan nesnelere korunun.



Alet ile etrafındaki kişiler arasında en az 15 m mesafe olmalıdır.



Ellerinizi ve ayaklarınızı asla çim bıçme makinesinin altındaki çim bıçme makinesi bıçağına yaklaştırmayın. Motor durdurulduktan sonra çim bıçme makinesi bıçakları dönmeye devam eder.



Kontrol, ayarlama, temizleme, servis, kenara kaldırma ve depolama işlemlerinden önce kilit anahtarını çıkarın.



Uyarı; Bakım yapmadan önce bataryayı ayırın.



AB Dış Mekan Gürültü Direktifi uyarınca garanti edilen ses gücü seviyesi.



Avustralya NSW Gürültü Kontrol Mevzuatı uyarınca ses gücü seviyesi



Sadece AB ülkeleri için  
Ekipmanda tehlikeli bileşenler bulunduğundan dolayı atık elektrikli ve elektronik ekipmanlar, aküler ve bataryalar çevre ve insan sağlığı üzerinde olumsuz etkiye yol açabilir.

Elektrikli ve elektronik cihazları veya bataryaları evsel atıklarla birlikte atmayın!  
Atık elektrikli ve elektronik ekipmanlar ile akümülatörler ve bataryalar hakkındaki Avrupa Direktifi ve söz konusu direktifin ulusal yasalara uyarlanması gereğince atık elektrikli ekipmanlar, bataryalar ve akümülatörler ayrı olarak depolanmalı ve çevre koruma hakkındaki mevzuata uygun olarak faaliyet gösteren ayrı bir kentsel atık toplama noktasına teslim edilmelidir.  
Bu husus, ekipmanın üzerine yerleştirilmiş üzerinde çarpı işareti bulunan tehlikeli çöp kovası simgesi ile belirtilmiştir.

## Kullanım amacı

Bu makine çim biçmek için tasarlanmıştır.

## Gürültü

Tipik A-ağırlıklı gürültü düzeyi (EN IEC 62841-4-3 standardına göre belirlenen):

| Model  | Ölçülen ses gücü seviyesi ( $L_{WA}$ ) : (dB(A)) | Garanti edilen ses gücü seviyesi ( $L_{WA}$ ) : (dB(A)) |
|--------|--|---|
| DLM382 | 91   | 94  |
| DLM432 | 92   | 95  |

| Model  | Ses basıncı seviyesi ( $L_{pA}$ ): (dB (A)) | Ses basıncı seviyesi belirsizliği (K) : (dB(A)) |
|--------|---|---|
| DLM382 | 81  | 3   |
| DLM432 | 81  | 3   |

**NOT:** Beyan edilen gürültü emisyonu değer(ler)i bir standart test yöntemine uygun şekilde ölçülmüştür ve bir aleti bir başkasıyla karşılaştırmak için kullanılabilir.

**NOT:** Beyan edilen gürültü emisyonu değer(ler)i bir ön maruz kalma değerlendirmesi olarak da kullanılabilir.

**UYARI:** Kulak koruyucuları takın.

**UYARI:** Elektrikli aletin gerçek kullanımı sırasındaki gürültü emisyonu aletin kullanım biçimlerine bağlı olarak beyan edilen toplam değer(ler)den farklı olabilir.

**UYARI:** Gerçek kullanım koşullarındaki tahmini maruziyeti baz alan, operatörü koruyacak güvenlik önlemlerini mutlaka belirleyin (çalışma döngüsü içerisinde aletin kapalı olduğu ve aktif durumda olmasının yanı sıra boşta çalıştığı zamanlar gibi, bütün zaman dilimleri göz önünde bulundurarak).

## Titreşim

EN IEC 62841-4-3 uyarınca belirlenen sürekli titreşim toplam değeri (üç eksenli vektör toplamı):

Model DLM382

Titreşim emisyonu ( $a_h$ ): 2,5 m/s<sup>2</sup>'den az  
Belirsizlik (K) : 2,0 m/s<sup>2</sup>

### Model DLM432

Titreşim emisyonu ( $a_h$ ): 2,5 m/s<sup>2</sup>'den az  
Belirsizlik (K) : 1,5 m/s<sup>2</sup>

**NOT:** Beyan edilen titreşim toplam değer(ler)i bir standart test yöntemine uygun şekilde ölçülmüştür ve bir aleti bir başkasıyla karşılaştırmak için kullanılabilir.

**NOT:** Beyan edilen titreşim toplam değer(ler)i bir ön maruz kalma değerlendirmesi olarak da kullanılabilir.

**UYARI:** Elektrikli aletin gerçek kullanımı sırasındaki titreşim emisyonu aletin kullanım biçimlerine bağlı olarak beyan edilen toplam değer(ler)den farklı olabilir.

**UYARI:** Gerçek kullanım koşullarındaki tahmini maruziyeti baz alan, operatörü koruyacak güvenlik önlemlerini mutlaka belirleyin (çalışma döngüsü içerisinde aletin kapalı olduğu ve aktif durumda olmasının yanı sıra boşta çalıştığı zamanlar gibi, bütün zaman dilimleri göz önünde bulundurarak).

## Uygunluk Beyanları

### Sadece Avrupa ülkeleri için

Uygunluk beyanları bu kullanma kılavuzuna Ek A olarak eklenmiştir.

## GÜVENLİK UYARILARI

### Genel elektrikli alet güvenliği uyarıları

**UYARI** Bu elektrikli aletle birlikte verilen tüm güvenlik uyarılarını, talimatları, resimli açıklamaları ve teknik özellikleri okuyun. Aşağıda listelenen talimatların herhangi birine uyulmaması elektrik çarpması, yangın ve/veya ciddi yaralanma ile sonuçlanabilir.

### Tüm uyarıları ve talimatları iletide başvurmak için saklayın.

Uyarılardaki "elektrikli alet" terimi ile ya prizden çalışan (kordonlu) elektrikli aletiniz ya da kendi aküsü ile çalışan (kordonsuz) elektrikli aletiniz kastedilmektedir.

### Akülü çim biçme makinesi güvenliği uyarıları

- Özellikle yıldırım düşmesi riski olan kötü hava koşullarında çim biçme makinesini kullanmayın. Bu şekilde yıldırım çarpması riskini azaltabilirsiniz.
- Çim biçme makinesinin kullanılacağı yeri yabancı hayvanlar açısından baştan aşağı kontrol edin. Çalışma sırasında yabancı hayvanlar çim biçme makinesi tarafından yaralanabilir.
- Çim biçme makinesinin kullanılacağı yeri baştan aşağı kontrol edin ve tüm taş, çubuk, tel, kemik ve diğer yabancı maddeleri kaldırın.

- Fırlayan cisimler yaralanmaya neden olabilir.
4. **Çim biçme makinesini kullanmadan önce bıçak ve bıçak takımının aşınmadığını veya hasarlı olmadığını görmek için mutlaka gözle kontrol edin.** Aşınmış veya hasarlı parçaları yaralanma riskini artırır.
  5. **Çim tutucuyu aşınma veya yıpranmalara karşı sık sık kontrol edin.** Aşınmış veya hasarlı çim tutucu yaralanma riskini artırabilir.
  6. **Siperleri takılı tutun. Siperler çalışır durumda ve düzgün monte edilmiş olmalıdır.** Gevşek, hasarlı veya düzgün çalışmayan bir siper yaralanmaya neden olabilir.
  7. **Tüm soğutma hava girişlerini döküntülerden temiz tutun.** Tıkanmış hava girişleri ve döküntüler aşırı ısınmaya veya yangın riskine neden olabilir.
  8. **Çim biçme makinesini kullanırken daima kaymaz ve koruyucu ayakkabı giyin. Çim biçme makinesini çıplak ayakla ya da açık sandaletlerle kullanmayın.** Bu, ayakların hareket eden bıçağa temas sonucu yaralanma ihtimalini azaltır.
  9. **Çim biçme makinesini kullanırken her zaman uzun pantolon giyin.** Açıkta kalan cilt, fırlayan cisimler nedeniyle yaralanma ihtimalini artırır.
  10. **Çim biçme makinesini ıslak çimde kullanmayın. Yürüyerek kullanın, asla koşmayın.** Bu, yaralanma ile sonuçlanabilecek kayma ve düşme riskini azaltır.
  11. **Çim biçme makinesini aşırı dik yokuşlarda kullanmayın.** Bu, yaralanma ile sonuçlanabilecek kontrol kaybı, kayma ve düşme riskini azaltır.
  12. **Yokuşlarda çalışırken daima yere sağlam basın, her zaman yokuş cephesinde yanlamasına çalışın, asla yokuş aşağı veya yukarı çalışmayın ve yön değiştirirken çok dikkatli olun.** Bu, yaralanma ile sonuçlanabilecek kontrol kaybı, kayma ve düşme riskini azaltır.
  13. **Geri geri giderken ya da çim biçme makinesini kendinize doğru çekerken çok dikkatli olun. Her zaman etrafınıza dikkat edin.** Bu çalışma sırasında takılma riskini azaltır.
  14. **Hala hareket halindeyken bıçaklara ve diğer tehlikeli hareketli parçalara dokunmayın.** Bu hareketli parçalar nedeniyle yaralanma riskini azaltır.
  15. **Sıkızen maddeleri çıkarırken veya çim biçme makinesini temizlerken tüm çim anahtarlarını kapalı ve batarya takımının ayrılmış olduğundan emin olun. Çim biçme makinesinin beklenmedik çalışması ciddi yaralanmaya neden olabilir.**

## Ek güvenlik uyarıları

### Eğitim

1. **Talimatları dikkatlice okuyun. Çim biçme makinesinin kontrollerine ve düzgün kullanımına aşinalık kazanın.**
2. **Bu talimatlar konusunda bilgisi olmayan çocukların ve büyüklerin çim biçme makinesini kullanmasına asla izin vermeyin. Yerel düzenlemeler kullanıcı yaşına sınırlandırma getirebilir.**
3. **Çim biçme makinesini asla çevresinde insanlar, özellikle de çocuklar veya evcil hayvanlar varken kullanmayın.**

4. **Diğer insanlara ya da mallarına gelecek zararlardan ve kazalardan operatör ya da kullanıcının sorumlu olduğunu unutmayın.**

### Hazırlık

1. **Biçme işlemine başlamadan önce alanda kimse kalmadığından emin olun. Alana birisi girerse çim biçme makinesini durdurun.**
2. **Kullanıma hazır oluncaya kadar kilit anahtarını çim biçme makinesine takmayın.**
3. **Çukur, teker izi, tümsek, kaya veya başka saklı nesnelere dikkat edin.** Engebeli arazi kayma ve düşme kazasına neden olabilir. Yüksek çim engelleri gizleyebilir.
4. **Kilit anahtarını yağmurda takıp çıkarmayın.**

### Kullanım

1. **Şunları yapmadan önce çim biçme makinesini durdurun, kilit anahtarını çıkarın ve hareket eden tüm parçaların tamamen durduğundan emin olun:**
  - çim biçme makinesini kullanmayı bıraktığınızda;
  - tıkanmaları temizlemeden ya da sepeti boşaltmadan önce;
  - çim biçme makinesini kontrol etmeden, temizlemeden veya üzerinde çalışmadan önce.
2. **Çim biçme makinesi yabancı bir cisme çarparsa şu adımları izleyin:**
  - Çim biçme makinesini durdurun, anahtar kolunu serbest bırakın ve bıçak tamamen durana kadar bekleyin.
  - Kilit anahtarını ve batarya kartuşunu çıkarın.
  - Çim biçme makinesinde hasar olup olmadığını dikkatlice kontrol edin.
  - Herhangi bir şekilde zarar görmüşse bıçağı değiştirin. Yeniden başlatmadan ve çim biçme makinesini kullanmaya devam etmeden önce herhangi bir hasar varsa onarın.
3. **Çim biçme makinesi anormal şekilde titremeye başlarsa veya olağandışı bir şey fark ederseniz hemen şu adımları uygulayın:**
  - Çim biçme makinesini durdurun, anahtar kolunu serbest bırakın ve bıçak tamamen durana kadar bekleyin.
  - Kilit anahtarını ve batarya kartuşunu çıkarın.
  - Hasar kontrolü yapın ve hasarlı parçaları değiştirin veya onarın.
  - Parçaların gevşek olup olmadığını kontrol edin, gevşek olanları sıkın.
4. **Çim biçme makinesini hasarlı koruma veya siperle ya da deflektör ve/veya çim sepeti gibi güvenlik aygıtları yerine takılı olmadan kullanmayın.**
5. **Çim biçme makinesini sadece gün ışığında ya da iyi aydınlatma sağlayan yapay ışıkta kullanın.**
6. **Çim biçme makinesini talimatlara uygun olarak çalıştırın ve ayaklarınızı bıçaklardan uzak tutun.**
7. **Çim biçme makinesi bıçaklarının ayaklarınızı**

- ve ellerinizi yaralamasına karşı dikkatli olun.
8. Çim dışındaki yüzeylerden geçerken çim biçme makinesinin eğilmesi gerekiyorsa ve makineyi kullanılabilecek alana ya da kullanılabilecek alandan dışarı taşırken bıçağı/bıçakları durdurun.
  9. Başlatma için çim biçme makinesinin eğilmesi gereken durumlar haricinde, motoru çalıştırırken makineyi eğmeyin. Eğmenin gerekli olduğu durumlarda gereken miktardan fazla eğmeyin ve sadece kullanıcıdan uzaktaki alan kısmını kaldırın. Çim biçme makinesini yere koymadan önce her iki elinizin çalışma konumunda olduğundan mutlaka emin olun.
  10. Ellerinizi veya ayaklarınızı dönen parçaların yakınına ya da altına koymayın. Boşaltma ağzından daima uzak durun.
  11. Tutamağı daima sıkıca tutun.
  12. Çim biçme makinesini kaldırırken veya tutarken açıkta kalan keskin bıçakları ya da keskin kenarları tutmayın.
  13. Ellerinizi ve ayaklarınızı dönen bıçaklardan uzak tutun. Dikkat - Çim biçme makinesi kapatıldıktan sonra bıçaklar bir müddet dönmeye devam eder.
  14. Çim biçme makinesinin yükseklik ayarlamaya özelliği varsa çim biçme makinesi çalışırken asla kesim yüksekliği ayarı yapmaya çalışmayın.
  15. Taşıt yollarından, kaldırımlardan, geçitlerden ve çakıl kaplı alanlardan geçmeden önce anahtar kolunu serbest bırakın ve bıçak dönüşünün durmasını bekleyin. Çim biçme makinesini bıraktığınızda, yolunuza çıkan bir şeyi almak ya da kaldırmak için durduğunuzda ya da dikkatinizi kaçırarak herhangi bir olay olduğunda da kilit anahtarını çıkarın.
  16. Boşaltma ağzının önünde dururken çim biçme makinesini başlatmayın.
  17. Boşaltılan materyali hiçbir zaman hiç kimseye doğrultmayın. Materyali bir duvar veya engele doğru boşaltmaktan kaçının. Materyal operatöre doğru geri sekebilir. Çakıllı yüzeylerden geçerken bıçağı durdurun.
  18. Mutlaka gerekmedikçe çim biçme makinesini geri geri çekmeyin. Çim biçme makinesini bir çit veya başka benzeri engelden geri çekmek zorunda kalırsanız geri geri çim biçme öncesinde ve sırasında aşağıya ve arkaya bakın.
  19. Çim tutucuyu çıkarmadan önce motoru kapatın ve bıçağın tamamen durmasını bekleyin. Kapatıldıktan sonra bıçakların bir müddet boşta hareket ettiğine dikkat edin.
  20. Makineyi çamurlu zeminde, ıslak yamaçlarda veya kaygan yerlerde kullanırken dengenize dikkat edin.
  21. Artan kullanıcı yorgunluğunun beklendiği kötü ortamlarda çalışmaktan kaçının.
  22. Makineyi, görüşün sınırlı olduğu kötü havalarda kullanmayın. Aksi takdirde düşük görüş nedeniyle düşmeye veya hatalı çalışmaya neden olabilir.
  23. Makineyi su birikintisine sokmayın.
  24. Yağmurdan dolayı emme ağzına (havalandırma penceresi) ıslak yapraklar veya pislik yapışır

bunları temizleyin.

25. Makineyi karda kullanmayın.
26. Kesilen çim ıslaksa muhtemelen makinenin içinde tıkanabilir. Makinenin durumunu düzenli olarak kontrol edin ve gerekirse yapışan çimi temizleyin.
27. Makineyi kullanırken borulara ve kablolarla dikkat edin.

#### Bakım ve saklama

1. Çim biçme makinesini düzenli olarak kontrol edin ve bakımını yapın.
2. Güvenli bir çalışma için tüm somun, civata ve vidaların sıkı olduğundan emin olun.
3. Çim sepetini aşınma ve yıpranmalara karşı sık sık kontrol edin. Saklarken çim sepetinin boş olduğundan daima emin olun. Güvenlik için, yıpranmış çim sepetini yeni bir orijinal çim sepetiyle değiştirin.
4. Sadece bu kılavuzda belirtilen üreticinin orijinal bıçaklarını kullanın.
5. Çim biçme makinesini ayarlarken parmaklarınızı hareketli bıçaklar ile çim biçme makinesinin sabit parçaları arasına sıkıştırmamaya dikkat edin.
6. Uygun şekilde sıkıldığından emin olmak için bıçak montaj civatasını belirli aralıklarla kontrol edin.
7. Çim biçme makinesini depolamadan önce soğuduğundan daima emin olun.
8. Bıçaklarla ilgili işlem yaparken, güç kaynağı kapalı olsa da bıçakların hareket edebileceğini unutmayın.
9. Güvenlik aygıtlarını asla çıkarmayın veya kurcalamayın. Düzgün çalıştıklarını düzenli olarak kontrol edin. Bir güvenlik aygıtının amaçlanan işlevine müdahale edecek veya güvenlik aygıtının sağladığı korumayı azaltacak hiçbir şey yapmayın.
10. Makineyi dışarıda yağmur altında gözetimsiz bırakmayın.
11. Makineyi yüksek basınçlı su ile yıkamayın.
12. Makineyi yıkarken mutlaka bataryayı ve kilit anahtarını çıkarın, batarya kapağını kapatın ve suyu, bıçağın takılı olduğu makinenin alt tarafına doğru dökün.
13. Makineyi depolarken doğrudan güneş ışığı ve yağmurdan sakının, ısınmayacak veya nemlenmeyecek bir yerde depolayın.
14. Kontrol veya bakımı, yağmurdan sakınılabilecek bir yerde yapın.
15. Makineyi kullandıktan sonra yapışan pislikleri temizleyin ve depolamadan önce makineyi tamamen kurutun. Mevsim veya bölgeye bağlı olarak donma kaynaklı arıza riski vardır.

#### Elektrik ve batarya güvenliği

1. Batarya/bataryaları açmayın ya da batarya(lar) üzerinde değişiklik yapmayın. Ortaya çıkan elektrolit aşındırıcıdır ve gözlere ya da cilde zarar verebilir. Yutulduğu takdirde zehirli olabilir.
2. Bataryayı yağmurda veya ıslak yerlerde şarj etmeyin.
3. Bataryayı açık alanda şarj etmeyin.
4. Şarj aleti fişi ve şarj aleti terminalleri dahil şarj

- aletine ıslak ellerle dokunmayın.
- Bataryayı yağmurda değiştirmeyin.
  - Batarya bağlantı uçlarını su gibi sıvılarla ıslatmayın ya da bataryayı sıvılara sokmayın. Bataryayı yağmurda bırakmayın veya bataryayı nemli ya da ıslak yerlerde şarj etmeyin, kullanmayın veya depolamayın. Bağlantı uçları ıslanır veya bataryanın içine sıvı girerse batarya kısa devre olabilir ve aşırı ısınma, yangın veya patlamaya riski ortaya çıkar.
  - Bataryayı makine veya şarj aletinden çıkardıktan sonra mutlaka bataryaya batarya kapağını takın ve kuru bir yerde depolayın.
  - Bataryayı ıslak ellerle değiştirmeyin.
  - Tehlikeli ortamlardan kaçınin. Makineyi nemli ya da ıslak yerlerde kullanmayın ve yağmura maruz bırakmayın. Makinenin içine su girmesi elektrik çarpması riskini arttıracaktır.
  - Batarya kartuşu ıslanırsa içinden suyu boşaltın ve ardından kuru bir bezle silin. Kullanmadan önce batarya kartuşunu kuru bir yerde tamamen kurulayın.

## BU TALİMATLARI SAKLAYIN.

**⚠UYARI:** Ürünü kullanırken (defalarca kullanınca kazanılan) rahatlık ve tanıdıklık duygusunun ilgili ürünün güvenlik kurallarına sıkı sıkıya bağlı kalmanın yerine geçmesine İZİN VERMEYİN. YANLIŞ KULLANIM veya bu kullanma kılavuzunda belirtilen emniyet kurallarına uymama ciddi yaralanmaya neden olabilir.

## Batarya kartuşu hakkında önemli güvenlik talimatları

- Batarya kartuşunu kullanmadan önce, tüm talimatları ve (1) batarya kartuşu, (2) batarya ve (3) ürün üzerindeki tüm uyarı işaretlerini okuyun.
- Batarya kartuşunu parçalarına ayırmayın veya kurcalamayın. Yangın, aşırı ısı veya patlamaya neden olabilir.
- Çalışma süresi aşırı derecede kısalmışsa kullanmayı derhal bırakın. Aşırı ısınma, yanma riski hatta patlamaya neden olabilir.
- Gözünüze elektrolit kaçarsa, gözlerinizi temiz suyla durulayın ve hemen tıbbi yardım alın. Görme kaybına yol açabilir.
- Batarya kartuşuna kısa devre yaptırmayın:
  - Terminallere herhangi bir iletken madde deşirmeyin.
  - Batarya kartuşunu çiviler, madeni paralar, vb. gibi başka metal nesnelere aynı kaba koymaktan kaçınin.
  - Batarya kartuşunu yağmura ya da suya maruz bırakmayın.
 Kısa devre, büyük bir akım akışına, aşırı ısınmaya, olası yanıklara hatta bataryanın bozulmasına yol açabilir.
- Aleti ve batarya kartuşunu sıcaklığın 50°C ya da daha yüksek olduğu yerlerde saklamayın ve kullanmayın.
- Aşırı derecede hasar görmüş ya da tamamen kullanılmaz durumda olsa bile batarya

- kartuşunu yakmayın. Batarya kartuşu ateşe atılırsa patlayabilir.
- Batarya kartuşunu çivilemeyin, kesmeyin, ezmeyin, fırlatmayın, düşürmeyin ya da batarya kartuşuna sert bir nesne ile vurmayın. Bu eylemler yangın, aşırı ısı veya patlamaya neden olabilir.
- Hasarlı bataryayı kullanmayın.
- Aletin içerdığı lityum-iyon bataryalar Tehlikeli Eşyalar Yönetmeliğinin gereksinimlerine tabidir. Ticari nakliye işlemleri için, örneğin üçüncü taraflar, nakliye acenteleri tarafından yapılan nakliyelerde, paketleme ve etiketleme gereksinimlerine uyulmalıdır. Nakliyesi yapılacak ürünün hazırlanması için, tehlikeli maddeler konusunda uzman bir kişiye danışın. Lütfen muhtemelen daha ayrıntılı olan ulusal yönetmeliklere de uyun. Açık kontakları bantlayın ya da maskeleyin ve bataryayı paketin içinde hareket etmeyecek şekilde paketleyin.
- Batarya kartuşunu bertaraf ederken aletten çıkarın ve güvenli bir yerde bertaraf edin. Bataryanın bertaraf edilmesi ile ilgili yerel düzenlemelere uyunuz.
- Bataryaları sadece Makita tarafından belirtilen ürünlerle kullanın. Bataryaların uyumsuz ürünlere takılması; yangın, aşırı ısınma, patlama ya da elektrolit sızıntısına neden olabilir.
- Alet uzun süre kullanılmıyacaksa batarya aletten çıkarılmalıdır.
- Kullanma sırasında ve sonrasında batarya kartuşu ısınarak yanıklara veya düşük sıcaklık yanıklarına yol açabilir. Sıcak batarya kartuşları ile işlem yaparken dikkat edin.
- Yanıklara neden olabilecek kadar sıcak olabileceğinden kullandıktan hemen sonra aletin terminaline dokunmayın.
- Batarya kartuşunun terminallerine, deliklerine ve kanallarına mıcır, toz veya toprak girmesine izin vermeyin. Aletin veya batarya kartuşunun ısınmasına, alev almasına, patlamasına ve arızalanmasına neden olarak yanıklara veya yaralanmaya yol açabilir.
- Alet yüksek gerilim elektrik güç hatlarında kullanımı desteklemediği sürece batarya kartuşunu yüksek gerilim elektrik güç hatlarının yakınında kullanmayın. Aletin veya batarya kartuşunun arızalanmasına veya bozulmasına neden olabilir.
- Bataryayı çocuklardan uzak tutun.

## BU TALİMATLARI MUHAFAZA EDİNİZ.

**⚠DİKKAT:** Sadece orijinal Makita bataryalarını kullanın. Orijinal olmayan Makita bataryaları ya da üzerine değişiklik yapılmış bataryaların kullanımı bataryanın patlamasına ve sonuç olarak yangın, kişisel yaralanma ve hasara neden olabilir. Ayrıca Makita aleti ve şarj aletinin Makita tarafından sunulan garantisini de geçersiz olur.

**ÖNEMLİ NOT:** Makita, orijinal olmayan Makita bataryaların veya modifiye edilmiş bataryaların kullanılmasından kaynaklanan kazalardan sorumlu değildir. Orijinal Makita bataryalar, ilgili mevzuat ve güvenlik standartlarına uygun olarak, Makita aletler ve şarj cihazlarıyla uyumluluk için titizlikle değerlendirilmiştir.

## Maksimum batarya ömrü için ipuçları

1. Batarya kartuşunu tamamen boşalmadan önce şarj edin. Aletin gücünün zayıflamaya başladığını fark ettiğinizde aleti durdurun ve batarya kartuşunu şarj edin.
2. Tam dolu bir batarya kartuşunu asla yeniden şarj etmeyin. Aşırı şarj etme bataryanın hizmet ömrünü kısaltır.
3. Batarya kartuşunu 10 °C - 40 °C oda sıcaklığında şarj edin. Sıcak bir batarya kartuşunu şarj etmeden önce soğumasını bekleyin.
4. Batarya kartuşunu kullanılmıyorken aletten veya şarj aletinden çıkarın.
5. Uzun bir süre (altı aydan daha fazla) kullanmadığınız durumlarda batarya kartuşunu şarj edin.

## MONTAJ

**⚠UYARI:** Çim biçme makinesi üzerinde herhangi bir işlem yapmadan önce kilit anahtarını ve batarya kartuşunu çıkardığınızdan emin olun. Kilit anahtarının ve batarya kartuşunun çıkarılmaması istemsiz olarak aletin başlatılması sonucu ciddi kişisel yaralanmalara neden olabilir.

**⚠UYARI:** Tamamen montajlanmadan önce çim biçme makinesini asla çalıştırmayın. Kısmen birleştirilmiş haldeyken makine ile çalışmak, makinenin istemsiz olarak başlatılması sonucu ciddi yaralanmalara neden olabilir.

## Batarya kapağının takılması

**⚠UYARI:** Kilit anahtarını ve batarya kartuşunu batarya kapağını takmadan önce yerleştirmeyin. Bu kurala uymamak ciddi bir yaralanmaya sebep olabilir.

Kullanmadan önce batarya kapağını tam olarak takın. Batarya kapağı, çim biçme makinesini ve batarya kartuşunu çamur, kir ve sudan korur.

1. Batarya kapağını, çim biçme makinesini üzerindeki çıkıntılar batarya kapağı üzerindeki deliklerle hizalanacak şekilde yerleştirin.

▶ **Şek.1:** 1. Çıkıntı 2. Delik 3. Batarya kapağı

2. Ellerinizi batarya kapağının ortasına koyun ve kapağa bastırın.

▶ **Şek.2**

3. İlk kullanımdan önce batarya kapağının dayanak noktasının düzgün şekilde monte edilip edilmediğini kontrol edin. Batarya kapağı doğru takılırsa, batarya

kapağı kilitleme koluna basılına kadar açılmaz.

▶ **Şek.3:** 1. Dayanak noktası 2. Batarya kapağı kilitleme kolu

## Tutamağın takılması

**ÖNEMLİ NOT:** Tutamakları monte ederken, kabloları tutamaklar arasında herhangi bir şey takılmayacakları şekilde konumlandırın. Kablo hasar görürse, çim biçme makinesinin anahtarı çalışmayabilir.

1. Alt tutamağın iki ucunu çim biçme makinesinin oyuklarının içine doğru kaydırın ve ardından sıkıştırma vidalarını tam olarak sıkılayın.

▶ **Şek.4:** 1. Sıkıştırma vidası 2. Alt tutamak

2. Üst tutamakla alt tutamağın vida deliklerini hizalayın. Tutamakları sıkıştırma vidaları ve somunlarla sabitleyin.

▶ **Şek.5:** 1. Sıkıştırma somunu 2. Sıkıştırma vidası

**NOT:** Üst tutamağı elinizden düşmeyecek şekilde sıkıca tutun.

3. Tutucuları tutamağa takın. Güç kaynağı kablosunu şekildedeki gibi konumlandırın.

▶ **Şek.6:** 1. Tutucu

## Malçlama tapasının çıkarılması

*İsteğe bağlı aksesuarlar*

1. Arka kapağı açın.

▶ **Şek.7:** 1. Arka kapak

2. Şekilde gösterildiği gibi malçlama tapasını tutamaktan tutun ve ardından çim biçme makinesi gövdesinden çekerek çıkarın.

▶ **Şek.8:** 1. Malçlama tapası 2. Tutamak

## Çim sepetinin monte edilmesi

Çim sepetini monte etmek için aşağıdaki adımları uygulayın.

1. Şekilde gösterildiği gibi klipsi yukarıda tutarak çerçeveyi çim sepetinin üzerindeki deliklere hafif bir açıyla sokun.

▶ **Şek.9:** 1. Klips 2. Çerçeve 3. Delik

2. Tüm klipsleri açın ve bunları çerçeveye sıkıca tutturun.

▶ **Şek.10:** 1. Klipsler

3. Makine paketiyle birlikte gelen alyan anahtarı ile iki civatayı sıkarak sabitleyin.

▶ **Şek.11:** 1. Civatalar 2. Alyan anahtarı

## Çim sepetinin takılması

1. Arka kapağı açın.

▶ **Şek.12:** 1. Arka kapak

2. Çim sepetini şekilde gösterildiği gibi çim biçme makinesini gövdesinin rotuna asın.

▶ **Şek.13:** 1. Kanca 2. Rot 3. Çim sepeti



## Malçlama tapasının takılması

### İsteğe bağlı aksesuarlar

1. Arka kapağı açın, ve ardından çim sepetini çıkarın.  
► **Şek.14:** 1. Arka kapak 2. Çim sepeti
2. Şekilde gösterildiği gibi malçlama tapasını tutamaktan tutun ve ardından çim biçme makinesini gövdesine takın.  
► **Şek.15:** 1. Malçlama tapası 2. Tutamak

## İŞLEVSEL NİTELİKLER

### Batarya kartuşunun takılması ve çıkarılması

**⚠DİKKAT:** Batarya kartuşunu takıp çıkarmadan önce makineyi mutlaka kapatın.

**⚠DİKKAT:** Kullanmadan önce batarya kapağını kilitlediğinizden emin olunuz. Aksi takdirde, çamur, kir veya su ürüne ya da batarya kartuşuna zarar verebilir.

**⚠DİKKAT:** Batarya kartuşunu her zaman kırmızı gösterge görünmeyecek şekilde tam olarak yerine oturtun. Aksi takdirde, makineden kayıp düşebilir ve operatörün veya çevredeki kişilerin yaralanmasına neden olabilir.

**⚠DİKKAT:** Batarya kartuşunu zorlayarak takmaya çalışmayın. Kartuş kolayca kaymıyorsa doğru yerleştirilmemiş demektir.

**NOT:** Makine sadece bir batarya kartuşu ile çalışmaz.

### Batarya kartuşunu takmak için;

1. Batarya kapağı kilitleme kolunu kaydırın ve batarya kapağını açın.  
► **Şek.16:** 1. Batarya kapağı 2. Batarya kapağı kilitleme kolu
2. Batarya kartuşunun üzerindeki dili çim biçme makinesinin üzerindeki yuvaya hizalayın ve ardından kartuşu hafif bir tık sesi duyulup yerine kilitlenene kadar kaydırın.  
► **Şek.17:** 1. Batarya kartuşu
3. Kilit anahtarını şekilde gösterilen yere sonuna kadar girecek şekilde takın.  
► **Şek.18:** 1. Kilit anahtarı
4. Batarya kapağını kapatın ve kilitleme kolu ile iterek kilitlenene kadar itin.

### Batarya kartuşunu çim biçme makinesinden çıkartmak için;

1. Batarya kapağı kilitleme kolunu kaydırın ve batarya kapağını açın.
2. Kartuşun ön tarafındaki düğmeyi kaydırarak batarya kartuşunu çim biçme makinesinden çekip çıkarın.
3. Kilit anahtarını çekip çıkarın.

4. Batarya kapağını kapatın.

## Makine / batarya koruma sistemi

Makine bir makine/batarya koruma sistemi ile donatılmıştır. Bu sistem motora giden gücü otomatik olarak keserek uzun alet ve batarya ömrü sağlar. Makine veya batarya için aşağıdaki durumlardan biri söz konusu olduğunda makinenin işleyişi otomatik olarak durur.

### Aşırı yük koruması

Makine, anormal derecede yüksek akım çekmesine neden olacak şekilde çalıştırıldığında makine hiçbir gösterge olmadan otomatik olarak durur. Bu durumda makineyi kapatın ve makinenin aşırı yüklenmesine neden olan uygulamayı kesin. Ardından makineyi açarak yeniden çalıştırın.

### Aşırı ısınma koruması

Makine aşırı ısındığında makine otomatik olarak durur. Makineyi yeniden açmadan önce soğumasını bekleyin.

### Aşırı deşarj koruması

Batarya kapasitesi düştüğünde makine otomatik olarak durur. Anahtarlar kullanılsa bile ürün çalışmıyorsa, bataryaları makineden çıkarıp şarj edin.

## Kalan batarya kapasitesinin gösterilmesi

- **Şek.19:** 1. Batarya göstergesi












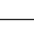






Kalan batarya kapasitesi düşük olduğunda, söz konusu batarya tarafındaki batarya göstergesi yanıp söner. Kullanılmaya devam edildiğinde, makine durur ve batarya göstergesi yanar. Bu durumda, batarya kartuşunu şarj edin.




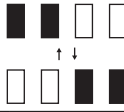
## Kalan batarya kapasitesinin gösterilmesi

### Sadece göstergeli batarya kartuşları için

Kalan batarya kapasitesini göstermesi için batarya kartuşu üzerindeki kontrol düğmesine basın. Göstergelambaları birkaç saniye yanar.

- **Şek.20:** 1. Göstergelambaları 2. Kontrol düğmesi

| Göstergelambaları   |  |   | Kalan kapasite       |
|---|--|---|----------------------|
|  Yanıyor |  Kapalı |  Yanıp sönüyor |                      |
|          |         |                | %75 ila %100         |
|          |         |                | %50 ila %75          |
|          |         |                | %25 ila %50          |
|          |         |                | %0 ila %25           |
|          |         |                | Bataryayı şarj edin. |

| Gösterge lambaları   |   |   | Kalan kapasite                |
|--|---|---|-------------------------------|
|  Yanıyor |  Kapalı |  Yanıp sönyüyor |                               |
|         |   |   | Batarya arızalanmış olabilir. |

**NOT:** Kullanım koşullarına ve ortam sıcaklığına bağlı olarak, gösterilen değer gerçek kapasiteden biraz farklılık gösterebilir.

**NOT:** İlk (en soldaki) gösterge lambası, batarya koruma sistemi çalıştığı anda yanıp söner.

## Anahtar işlemi

**⚠UYARI:** Batarya kartuşunu takmadan önce, anahtar kolunun düzgün çalıştığından ve bırakıldığında orijinal pozisyona döndüğünden emin olun. Anahtarı düzgün çalışmayan bir makinenin kullanılması kontrolün kaybedilmesine ve ciddi yaralanmalara neden olabilir.

**NOT:** Çim biçme makinesi, anahtar kolu çekilse de anahtar düğmesine basmadan çalışmaz.

**NOT:** Çok uzun ya da sık çimleri tek seferde biçmeye kalkışırsanız çim biçme makinesi aşırı yüklenmeden dolayı çalışmayabilir. Bu durumda, biçme yüksekliğini artırın.

Bu çim biçme makinesi, kilit devresi ve kollar şalter ile donatılmıştır. Bu devrelerden herhangi birinde bir hata fark ederseniz, derhal kullanımı durdurun ve size en yakın Makita Yetkili Servis Merkezine kontrol ettirin.

1. Batarya kartuşlarını takın. Kilit anahtarını kilit devresine takın ve ardından batarya kapağını kapatın.  
► **Şek.21:** 1. Batarya kartuşu 2. Kilit anahtarı

2. Anahtar düğmesine basın ve basılı tutun.

3. Üst tutamaktan tutun ve anahtar kolunu çekin.

► **Şek.22:** 1. Anahtar düğmesi 2. Anahtar kolu

4. Motor çalışmaya başlar başlamaz anahtar düğmesini serbest bırakın. Siz anahtar kolunu serbest bırakana kadar çim biçme makinesi çalışmaya devam edecektir.

5. Motoru durdurmak için anahtar kolunu serbest bırakın.

## Biçme yüksekliğinin ayarlanması

**⚠UYARI:** Biçme yüksekliğini ayarlarken ellerinizi ve ayaklarınızı asla çim biçme makinesinin gövdesinin altına koymayın.

**⚠UYARI:** Kullanmadan önce kolun oluğa tam olarak oturduğundan daima emin olun.

Biçme yüksekliği 20 mm ile 75 mm arasında ayarlanabilir.

1. Kilit anahtarını çıkarın.

2. Biçme yüksekliği ayarlama kolunu çim biçme

makinesinin gövdesinin dışına doğru çekin ve istediğiniz biçme yüksekliğine getirin.

► **Şek.23:** 1. Biçme yüksekliği ayarlama kolu

**NOT:** Biçme yüksekliği rakamları bir kılavuz olarak kullanılmalıdır. Çimin ya da zeminin durumuna bağlı olarak, gerçek çim yüksekliği ayarlanan yükseklikten çok az farklılık gösterebilir.

**NOT:** İsteddiğiniz yüksekliği elde etmek için az görünen bir yerdeki çimleri biçerek deneyin.

## Çim seviyesi göstergesi

► **Şek.24:** 1. Çim seviyesi göstergesi

Çim seviyesi göstergesi biçilen çimin miktarını gösterir.

- Çim sepeti dolu olmadığında, biçme işlemi sırasında gösterge kayar.
- Çim sepeti dolu olduğunda, biçme sırasında gösterge kaymaz. Bu durumda, biçme işlemini hemen durdurun ve sepeti boşaltın. Sepeti boşalttıktan sonra temizleyerek delikli kısımdan hava geçmesini sağlayın.

**NOT:** Bu gösterge yaklaşık bir fikir verecek şekilde kullanılmalıdır. Sepetin içindekilerin durumuna bağlı olarak gösterge düzgün çalışmayabilir.

## Malçlama tapasının kullanılması

### İsteğe bağlı aksesuarlar

Malçlama tapası, kesilen çimi çim sepetinde toplama dan toprağa bırakmanızı sağlar. Makineyi malçlama tapası ile kullanırken çim sepetini mutlaka çıkarın.

**ÖNEMLİ NOT:** Makineyi malçlama tapası ile kullanırken biçmeden sonra çimin toplam uzunluğunun 30 mm veya daha fazla ve biçme uzunluğunun 15 mm veya daha az olduğundan emin olun.

► **Şek.25:** (1) 30 mm veya daha fazla (2) 15 mm veya daha az

## KULLANIM

### Çim biçme

**⚠UYARI:** Çim biçmeye başlamadan önce biçme alanındaki kalın dalları ve taşları kaldırın. Ayrıca yabancı otları da biçme alanından önceden temizleyin.

**⚠UYARI:** Çim biçme makinesini kullanırken daima yanları korumalı güvenlik gözlükleri takın.

**⚠DİKKAT:** Kesilen çim veya yabancı madde çim biçme makinesinin gövdesinin içinde sıkışırsa çim veya yabancı maddeleri çıkarmadan önce mutlaka kilit anahtarını ve batarya kartuşunu çıkarın ve eldiven giyin.

**ÖNEMLİ NOT:** Bu makineyi sadece çim biçmek için kullanın. Bu makine ile ot biçmeyin.

► **Şek.26**

Biçme sırasında, tutamakları her iki elinizle sıkıca tutun.

Çim biçme hızı prensip olarak yaklaşık 4 saniyede 1 metredir.

► **Şek.27**

Ön tekerleklerin dış kenarları biçme genişliği için referanstır. Ön tekerleklerin dış kenarlarını referans olarak kullanarak şeritler halinde biçin. Çimi eşit biçmek için önceki şeridin genişliğinin ikide bir ila üçte bir oranında bir kısmının üstünden tekrar geçecek şekilde biçin.

► **Şek.28:** 1. Biçme genişliği 2. Örtüşen kısım 3. Dış kenar

Çim deseninin tek yönde oluşmasını engellemek için biçme yönünü her seferinde değiştirin.

► **Şek.29**

Çim sepetindeki biçilen çimi periyodik olarak kontrol edin. Dolmadan önce çim sepetini boşaltın. Her periyodik kontrolden önce, çim biçme makinesini durdurduğunuzdan ve ardından kilit anahtarını ve batarya kartuşunu çıkardığınızdan emin olun.

**ÖNEMLİ NOT:** Çim biçme makinesini çim sepeti dolu olarak kullanmak bıçakların düzgün bir şekilde dönmesini engeller ve motora aşırı yük bindirir, bu da arızaya sebep olabilir.

## Uzamiş çimlerin biçilmesi

Uzamiş çimleri bir seferde biçmeye çalışmayın. Bunun yerine, çimi kademeli olarak biçin. Çim eşit bir biçimde kısılanaya kadar biçme işlemleri arasında bir veya iki gün bırakın.

**NOT:** Uzamiş çimlerin bir seferde kısıltılması çimin ölmesine sebep olabilir. Kesilen çimler çim makinesinin gövdesinin içinde tıkanıklığa sebep olabilir.

## Çim sepetinin boşaltılması

**UYARI:** Kaza riskini azaltmak için, çim sepetinde herhangi bir hasar ya da gücünde herhangi bir zayıflama olup olmadığını düzenli olarak kontrol edin. Gerekirse, çim sepetini değiştirin.

1. Anahtar kolunu serbest bırakın.
2. Kilit anahtarını çıkarın.
3. Arka kapağı açın ve çim sepetini tutamağı tutarak çıkarın.
- **Şek.30:** 1. Arka kapak 2. Tutamak
4. Çim sepetini boşaltın.

## BAKIM

**UYARI:** Çim biçme makinesini saklamadan veya taşımadan ya da kontrol veya bakım yapmadan önce kilit anahtarının ve batarya kartuşunun çim biçme makinesinden çıkarıldığından daima emin olun.

**UYARI:** Çim biçme makinesini kullanımda değilken, daima kilit anahtarını çıkarın. Kilit anahtarını çocukların erişemeyeceği güvenli bir yerde saklayın.

**UYARI:** Kontrol veya bakım işlemi yapmadan önce eldiven giyin.

**UYARI:** Kontrol veya bakım yaparken daima yanları korumalı güvenlik gözlükleri takın.

**ÖNEMLİ NOT:** Benzin, tiner, alkol ve benzeri maddeleri kesinlikle kullanmayın. Renk değişimi, deformasyon veya çatlaklar oluşabilir.

Aleti EMNİYETLİ ve ÇALIŞMAYA HAZIR durumda tutmak için onarımlar, başka her türlü bakım ve ayarlamalar daima Makita yedek parçaları kullanılarak Makita yetkili servis merkezleri veya Fabrikanın Servis Merkezleri tarafından yapılmalıdır.

## Bakım

1. Kilit anahtarını çıkarın. Anahtar çocukların erişiminden uzak güvenli bir yerde saklayın.
2. Çim biçme makinesini sadece ıslak bir bez kullanarak temizleyin. Temizleme sırasında çim biçme makinesinin üzerine su sıkmayın ve dökmeyin.
3. Çim biçme makinesini yan tarafına yatırın ve çim biçme makinesinin gövdesinin alt tarafında biriken çim parçalarını temizleyin.
4. Tüm somunların, civataların, düğmelerin, vidaların, mandalların vb. sıklığını kontrol edin.
5. Hareketli parçaları, hasar, kırılma ve aşınmalara karşı kontrol edin. Hasarlı ya da eksik parçalar tamir edilmeli ya da değiştirilmelidir.

## Saklama

**UYARI:** Çim biçme makinesini taşıırken ve saklarken katlanan tutamaklardan değil aletin ön kavrama kolundan tutun. Katlanan tutamaklardan tutmak ciddi yaralanmalara veya makineye zarar gelmesine neden olabilir.

Çim biçme makinesini saklamadan önce batarya kartuşunu ve kilit anahtarını çıkarın. Çim biçme makinesini serin, kuru ve kilitle bir yerde saklayın. Çim biçme makinesini ve şarj aletini sıcaklığın 40 °C'ye ulaştığı ya da bu dereceyi geçtiği ortamlarda saklamayın.

► **Şek.31:** 1. Ön kavrama kolu 2. Arka kavrama kolu

1. Sıkıştırma vidasını gevşetin, alt tutamağı her iki tarafa doğru genişletin. Tutamağı öne doğru itin. Bu aşamada, alt tutamaktan sıkıca kavrayarak tutamağın çim biçme makinesinin gövdesi üzerinden kayıp makinenin uzak tarafına düşmesini önleyin.

► **Şek.32:** 1. Sıkıştırma vidası 2. Alt tutamak

2. Sıkıştırma somunlarını gevşetin, her iki tarafı genişletirken üst tutamağı geri döndürün.

► **Şek.33:** 1. Sıkıştırma somunu 2. Üst tutamak

3. Çim sepetini tutamak ile çim biçme makinesinin gövdesi arasında saklayın.

► **Şek.34:** 1. Çim sepeti

**NOT:** Çim biçme makinesini dik konumda yerleştirirken tutamaktan değil, çim biçme makinesinin ön kavrama kolundan tutun.

## Çim biçme makinesi bıçağının takılması veya çıkarılması

**UYARI:** Bıçağı takarken veya çıkarırken kilit anahtarını ve batarya kartuşunu daima çıkarın. Kilit anahtarının ve batarya kartuşunun çıkarılması ciddi yaralanmalara sebep olabilir.

**UYARI:** Anahtar bırakıldıktan sonra bıçak birkaç saniye dönmeye devam edebilir. Bıçak tamamen durana kadar hiçbir işlem yapmaya başlamayın.

**UYARI:** Bıçak üzerinde bir işlem yaparken daima eldiven kullanın.

## Çim biçme makinesi bıçağının çıkarılması

### DLM382 için

1. Çim biçme makinesini biçme yüksekliği ayarlama kolu üst tarafa gelecek şekilde yan yatırın.

2. Bıçak dönüşünü kilitlemek için, çim biçme makinesi gövdesi üzerindeki bir deliğe tornavida ya da benzeri bir alet sokun.

3. Cıvatayı anahtarla saatin aksi yönünde çevirin.

► **Şek.35:** 1. Çim biçme makinesi bıçağı 2. Tornavida 3. Anahtar

4. Cıvatayı ve bıçağı sırayla çıkarın.

► **Şek.36:** 1. Bıçak desteğı 2. Çim biçme makinesi bıçağı 3. Cıvata

### DLM432 için

1. Çim biçme makinesini biçme yüksekliği ayarlama kolu üst tarafa gelecek şekilde yan yatırın.

2. Bıçak dönüşünü kilitlemek için, çim biçme makinesi gövdesi üzerindeki bir deliğe tornavida ya da benzeri bir alet sokun.

3. Cıvatayı anahtarla saatin aksi yönünde çevirin.

► **Şek.37:** 1. Çim biçme makinesi bıçağı 2. Tornavida 3. Anahtar

4. Cıvatayı, dış flanşı, çim biçme makinesi bıçağını ve iç flanşı sırasıyla çıkarın.

► **Şek.38:** 1. İç flanş 2. Çim biçme makinesi bıçağı 3. Dış flanş 4. Cıvata

## Çim biçme makinesi bıçağının takılması

Çim biçme makinesi bıçağını takmak için, bıçak çıkarma prosedürünü tersten izleyin.

**UYARI:** Çim biçme makinesi bıçağını dik-katlıca takın. Bıçak bir üst/alt yüze sahiptir. Bıçağı, dönüş yönü oku dışarı bakacak şekilde yerleştirin.

**UYARI:** Bıçağı sabitlemek için cıvatayı saat yönünde iyice sıkılayın.

**UYARI:** Çim biçme makinesi bıçağının ve tüm sabitleme parçalarının doğru şekilde takıldığından iyice sıkıldığından emin olun.

**UYARI:** Bıçakları değiştirdiğinizde, daima bu kılavuzda sunulan talimatları izleyin.

# SORUN GİDERME

Onarım için servise gitmeden önce kontrolleri yapın. Kılavuzda açıklanmayan bir problemle karşılaşırsanız aleti demonte etmeyin. Bunun yerine, Makita Yetkili Servis Merkezlerine başvurun ve daima orijinal Makita yedek parçaları kullanın.

| Anormal durum                                  | Olası nedeni (arıza)                   | Çözümü   |
|--|--|--|
| Çim biçme makinesi başlatılmıyor.              | İki batarya kartuşu takılı değil.      | Şarj edilmiş batarya kartuşlarını takın.   |
|  | Batarya sorunu (voltaj yetersiz)       | Batarya kartuşunu şarj edin. Şarj etmek işe yaramıyorsa, batarya kartuşunu değiştirin. |
|  | Kilit anahtar takılı değil.            | Kilit anahtarını takın.  |
| Kısa bir süre kullanımdan sonra motor duruyor. | Bataryanın şarj seviyesi düşük.        | Batarya kartuşunu şarj edin. Şarj etmek işe yaramıyorsa, batarya kartuşunu değiştirin. |
|  | Kesim yüksekliği çok düşük ayarlanmış. | Kesim yüksekliğini artırın.  |
| Motor maksimum dev/dak oranına ulaşmıyor.      | Batarya kartuşu düzgün takılmamış.     | Batarya kartuşunu bu kılavuzda açıklandığı gibi takın.                                 |
|  | Batarya gücü düşüyor.                  | Batarya kartuşunu şarj edin. Şarj etmek işe yaramıyorsa, batarya kartuşunu değiştirin. |
|  | Sürüş sistemi doğru işlemiyor.         | Yerel yetkili servis merkezinden yardım isteyin.                                       |

| Anormal durum   | Olası nedeni (arıza)   | Çözümü   |
|---|--|--|
| Çim biçme makinesi bıçağı dön-<br>müyor:<br>⇒ Çim biçme makinesini hemen<br>durdurun! | Bıçağın kenarına yabancı bir cisim, örn.<br>bir dal parçası takılmış.                    | Yabancı cismi çıkarın.                           |
|   | Sürüş sistemi doğru işlemiyor.   | Yerel yetkili servis merkezinden yardım isteyin. |
| Anormal vibrasyon:<br>⇒ Çim biçme makinesini hemen<br>durdurun!                       | Bıçak dengesiz, aşırı derecede ya da<br>bir tarafı daha fazla olacak şekilde<br>aşınmış. | Bıçağı değiştirin.                               |

## İSTEĞE BAĞLI AKSESUARLAR

**⚠ DİKKAT:** Bu aksesuarlar ve ek parçalar bu el kitabında belirtilen Makita aletiniz ile kullanılmak için tavsiye edilmektedir. Herhangi başka bir aksesuar ya da ek parça kullanılması insanlar için bir yaralanma riski getirebilir. Aksesuarları ya da ek parçaları yalnızca belirtilmiş olan kullanım amaçlarına uygun olarak kullanın.

Bu aksesuarlarla ilgili daha fazla bilgiye ihtiyaç duyar-sanız bulunduğunuz yerdeki yetkili Makita servisine başvurun.

- Çim biçme makinesi bıçağı
- Malçlama tapası
- Orijinal Makita batarya ve şarj aleti

**NOT:** Listedeki parçaların bazıları alet paketi içeri-sinde standart aksesuar olarak dahil edilmiş olabilir. Bunlar ülkeden ülkeye farklılık gösterebilir.

# Makita Europe N.V.

Jan-Baptist Vinkstraat 2, 3070 Kortenberg, Belgium

# Makita Corporation

3-11-8, Sumiyoshi-cho, Anjo, Aichi 446-8502 Japan

[www.makita.com](http://www.makita.com)



885748C990  
EN, FR, DE, IT, NL,  
ES, PT, EL, TR  
20250423