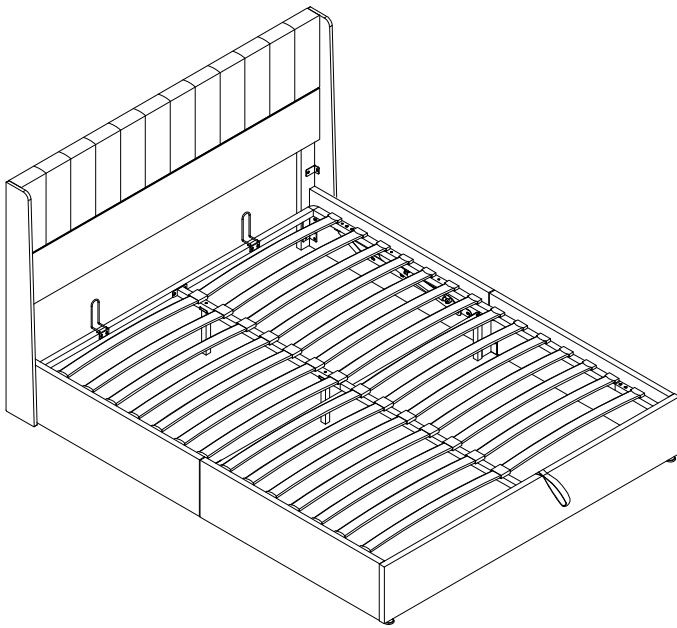


MONTAGEANLEITUNG

Artikelnummer: WF304653AAB/G WF304654AAB/G



Please check that you have all the parts listed before you start assembling, if you do find that something is missing, do not continue assembly, please contact us immediately.

NOTE: Please do not completely tighten all the hardware until the entire assembly is complete!

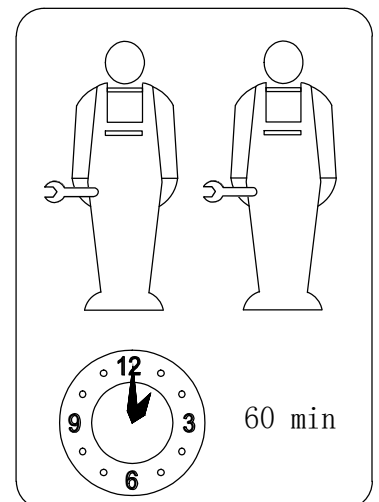
Bitte überprüfen Sie, ob alle Teile mitgeliefert sind, bevor Sie mit der Montage beginnen. Wenn Sie festlegen, dass etwas fehlt, setzen Sie die Montage nicht fort. Bitte kontaktieren Sie uns sofort.

Achtung: Bitte ziehen Sie nicht alle Schrauben fest, bevor die Montage abgeschlossen ist!

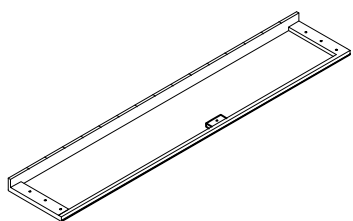
- | | |
|-------------------------------|---------------------------------|
| (D) Gebrauchsanweisung | (GB) Instructions for use |
| (NL) Gebruiksrichtlijnen | (FR) Instructions d'utilisation |
| (IT) Istruzioni per l'uso | (PL) Instrukcja obsługi |
| (CZ) Pokyny k použití | (ES) Instrucciones de empleo |
| (HU) Használati útmutató | (RO) Instrucțiuni de folosire |
| (PT) Instruções de utilização | (RU) Инструкция по монтажу |
| (SK) Pokyny k použitiu | (TR) Kullanım talimatları |

This set will be shipped by 2 boxes and they may arrive on different days.
If both packages arrived but parts missing, please contact customer service.

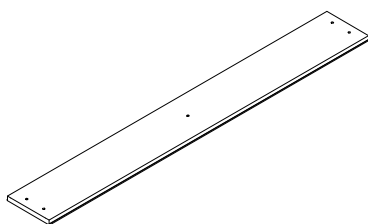
Dieses Set ist in 2 Boxen enthalten. Wenn Sie keine vollen 2 Boxen erhalten,
wenden Sie sich bitte an unseren Kundenservice



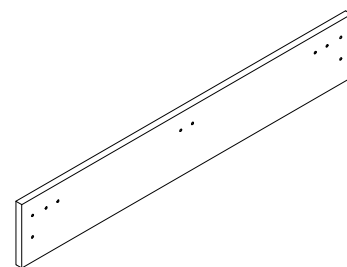
Part list WF304653AAB/G



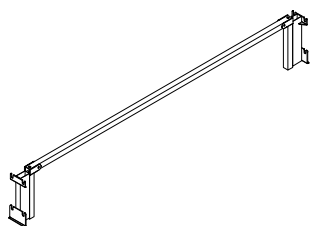
A*1PC



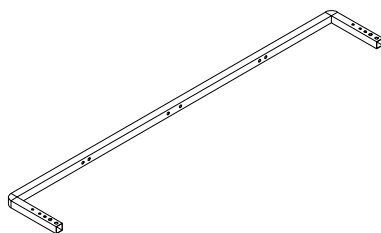
B*1PC



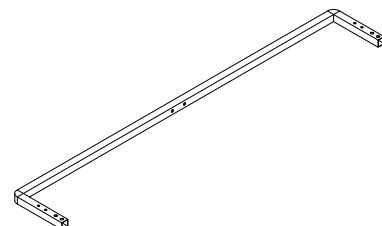
E*1PC



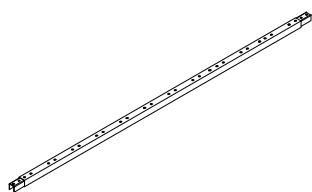
I*1PC



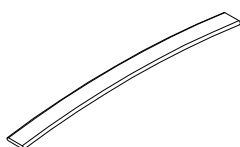
J1*1PC



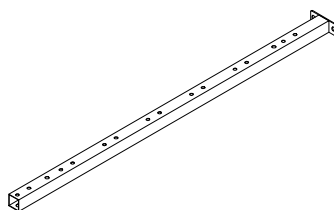
J2*1PC



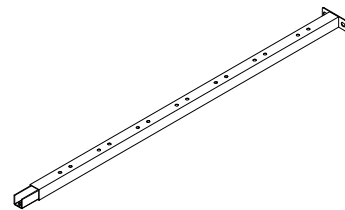
K*2PCS



L*28PCS

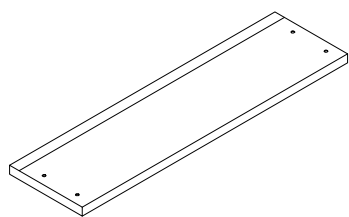


O1*1PC

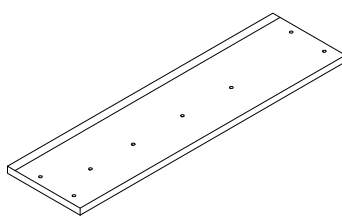


O2*1PC

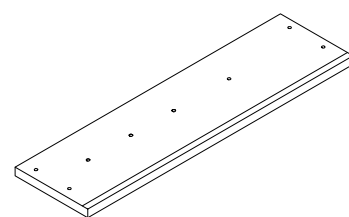
Part list WF304654AAB/G



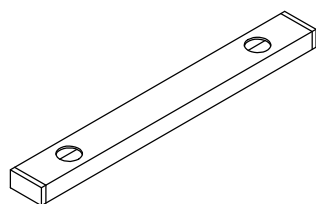
C*2PCS



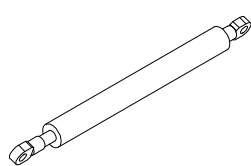
D1*1PC



D2*1PC



M*1PC



N*2PCS



F1*1PC



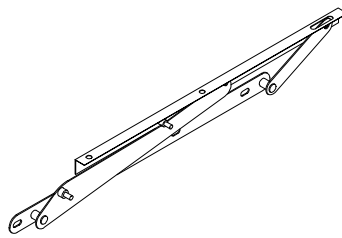
F2*1PC



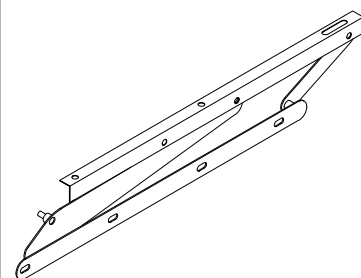
G1*1PC



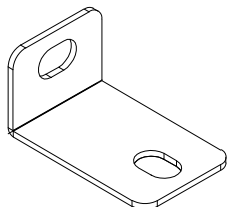
G2*1PC



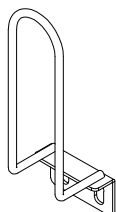
H1*1PC



H2*1PC



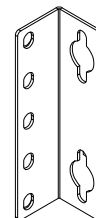
P*4PCS



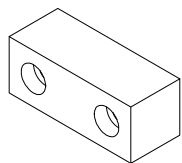
Q*2PCS



R*2PCS



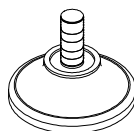
S*4PCS



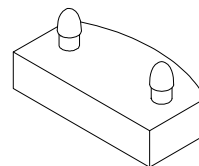
T*3PCS



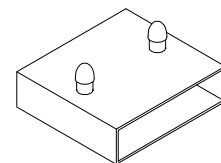
U*1PC



V*2PCS

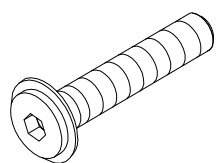


W1*28PCS

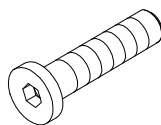


W2*14PCS

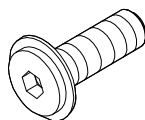
Hardware list



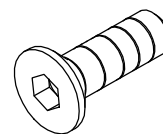
M8*50MM
X1*14PCS



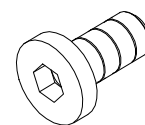
M8*45MM
X2*10PCS



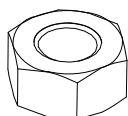
M8*30MM
X3*40PCS



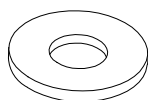
M8*35MM
X4*2PCS



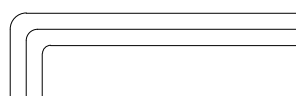
M8*18MM
X5*18PCS



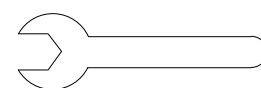
M8
Y*10PCS



Ø22*Ø8.5
Z1*8PCS



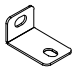
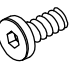
M8
Z2*1PC

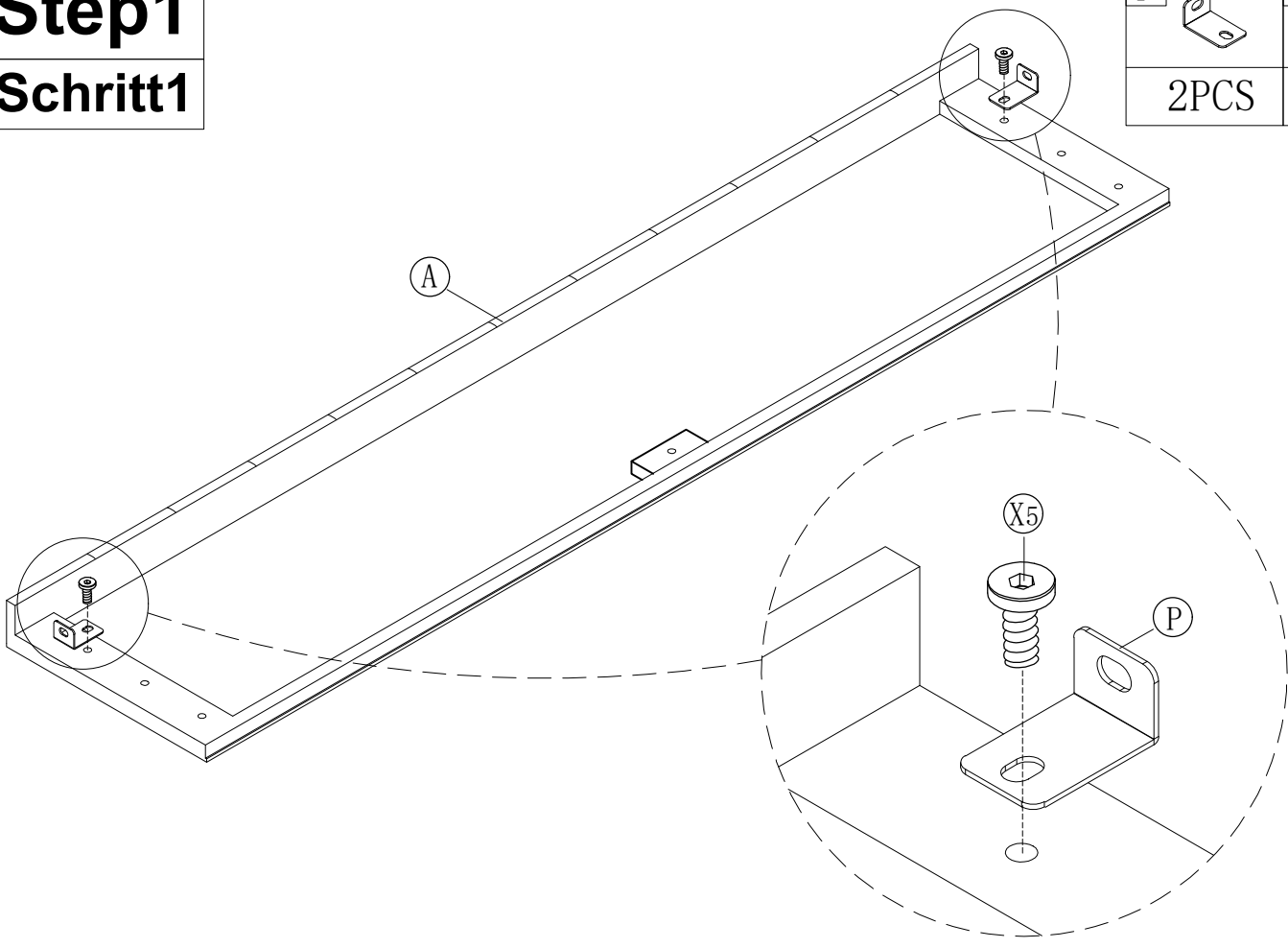


M8
Z3*1PC

Step1

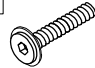
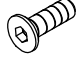

Schritt1

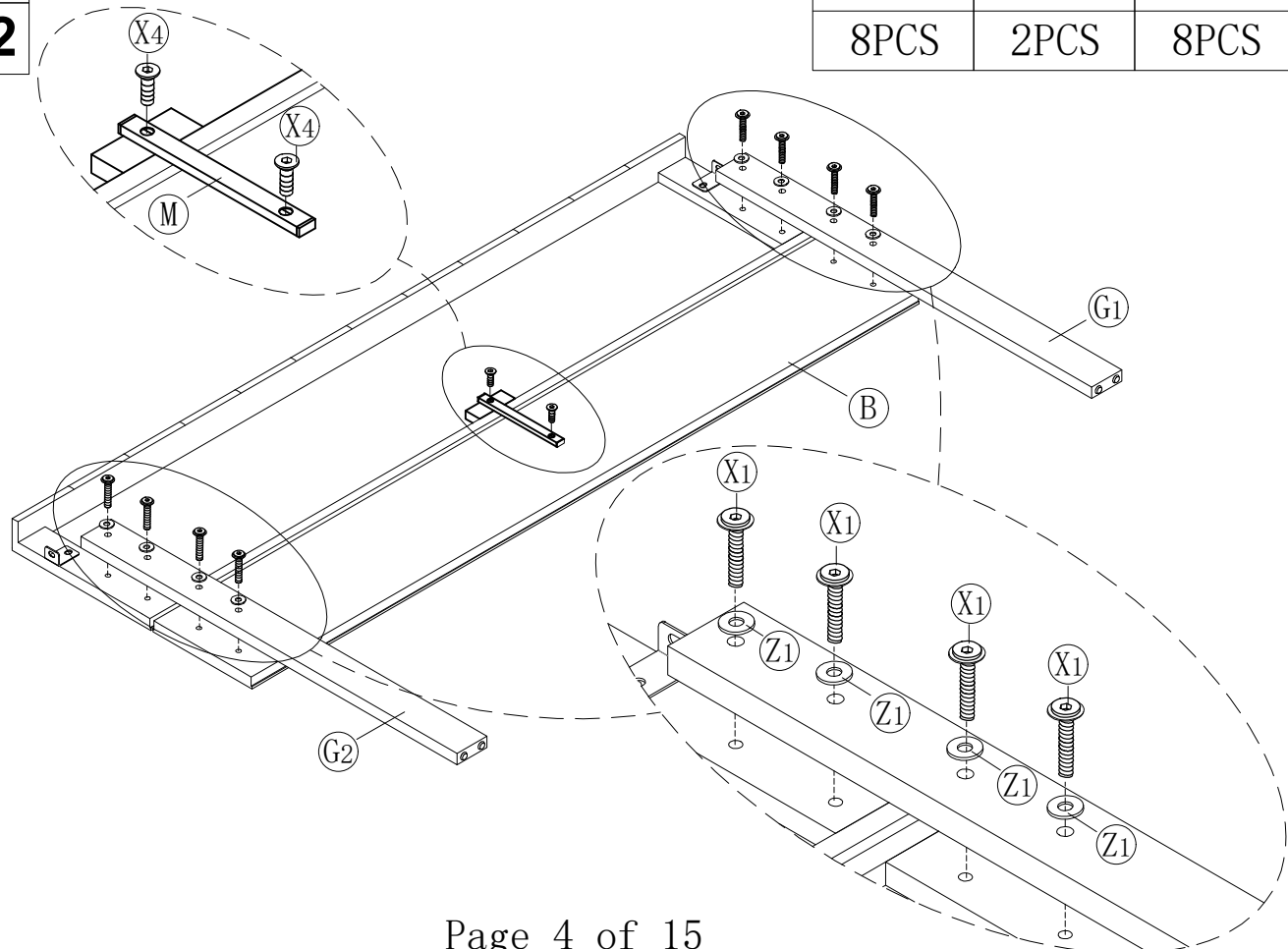
P		X5	
2PCS		2PCS	



Step2

Schritt2

X1		X4		Z1	
8PCS		2PCS		8PCS	



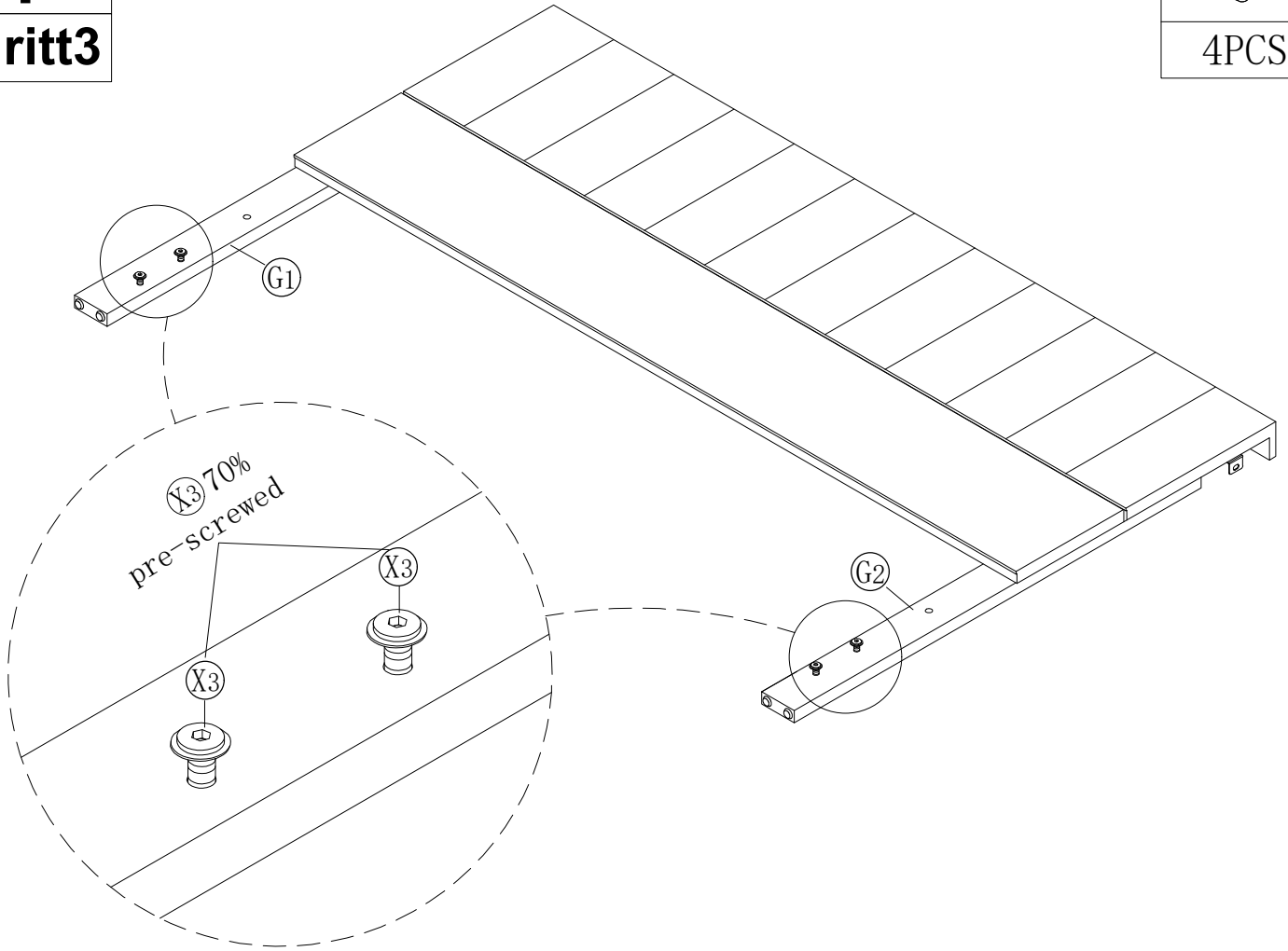
Step3

Schritt3

X3



4PCS



Step4

Schritt4

S

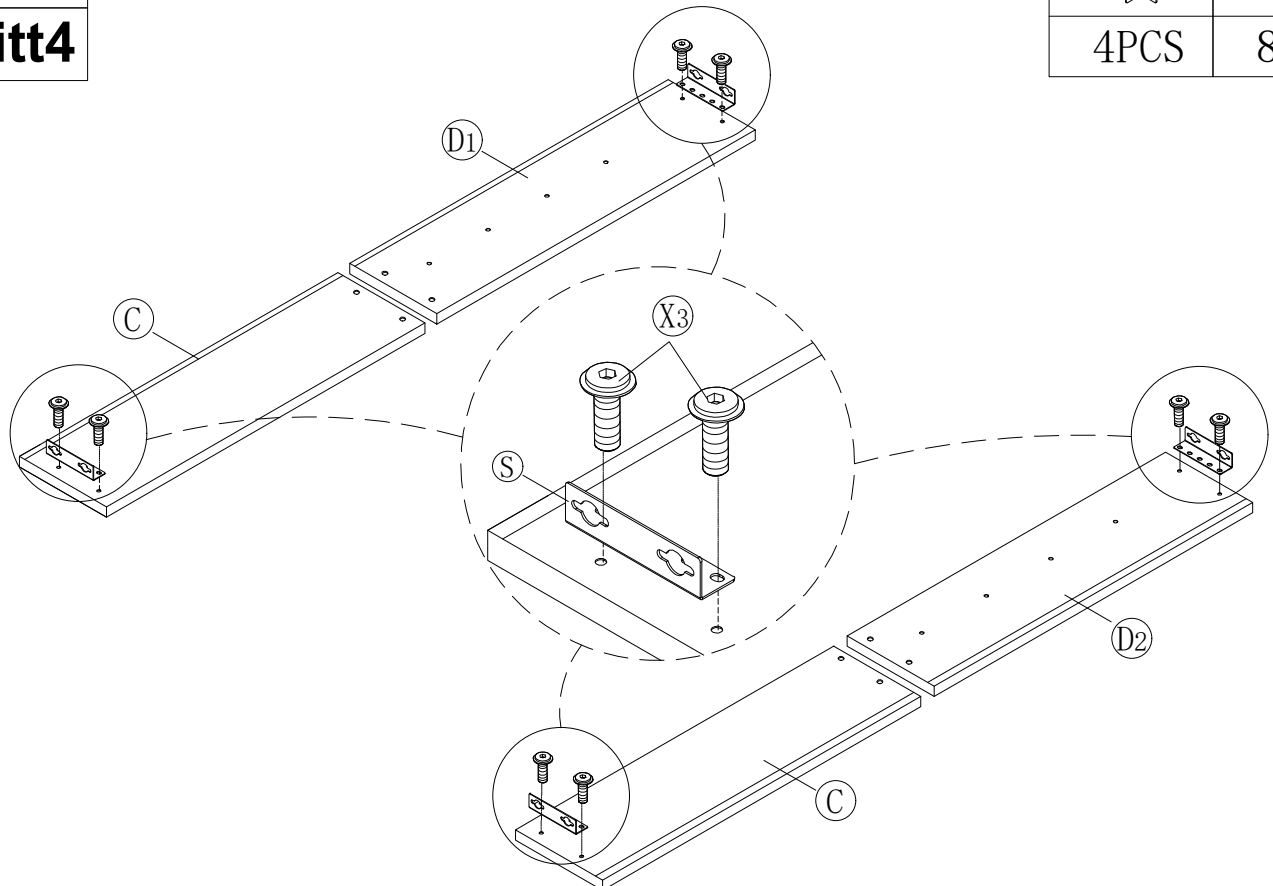


4PCS

X3



8PCS



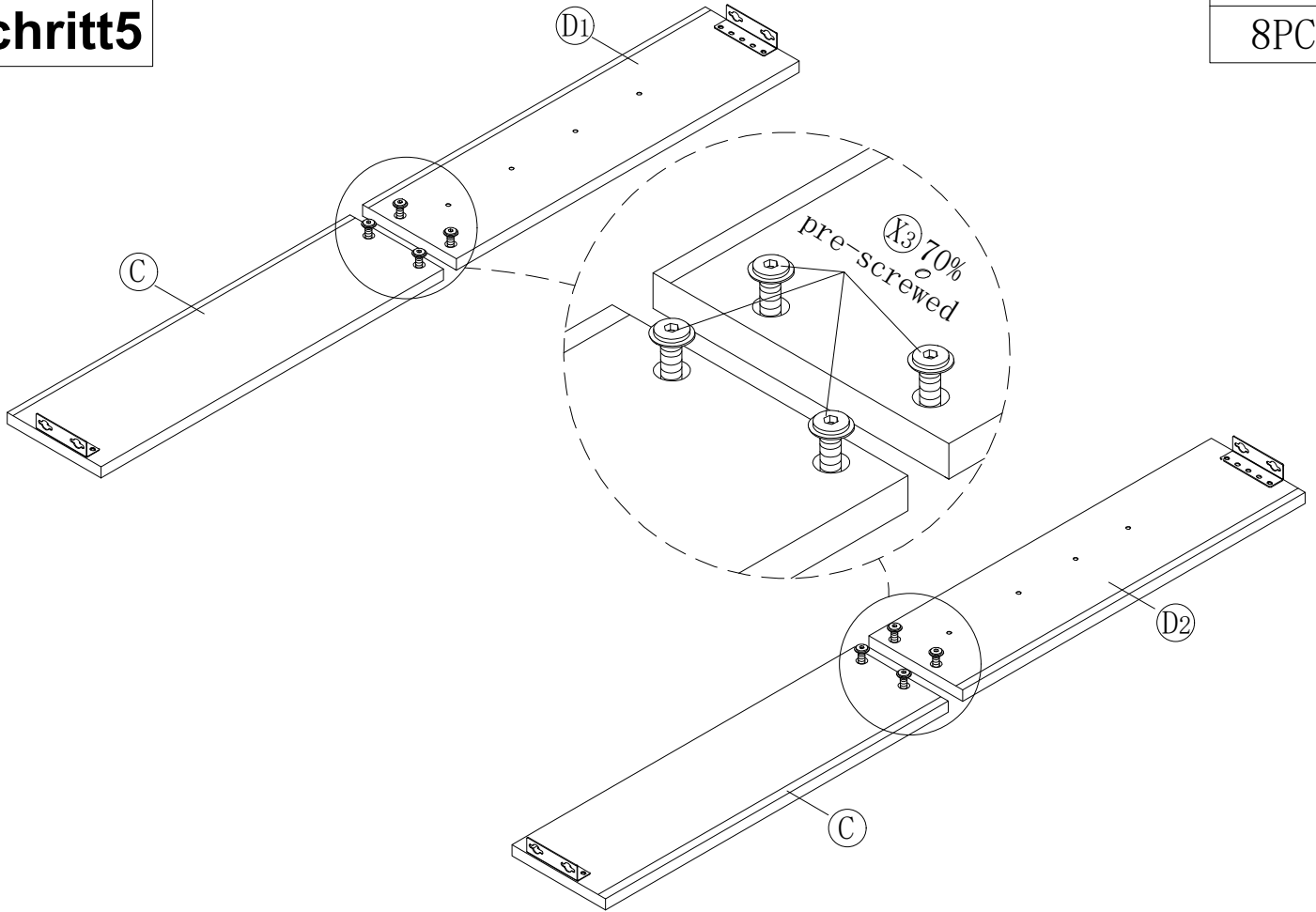
Step5

Schritt5

X3



8PCS



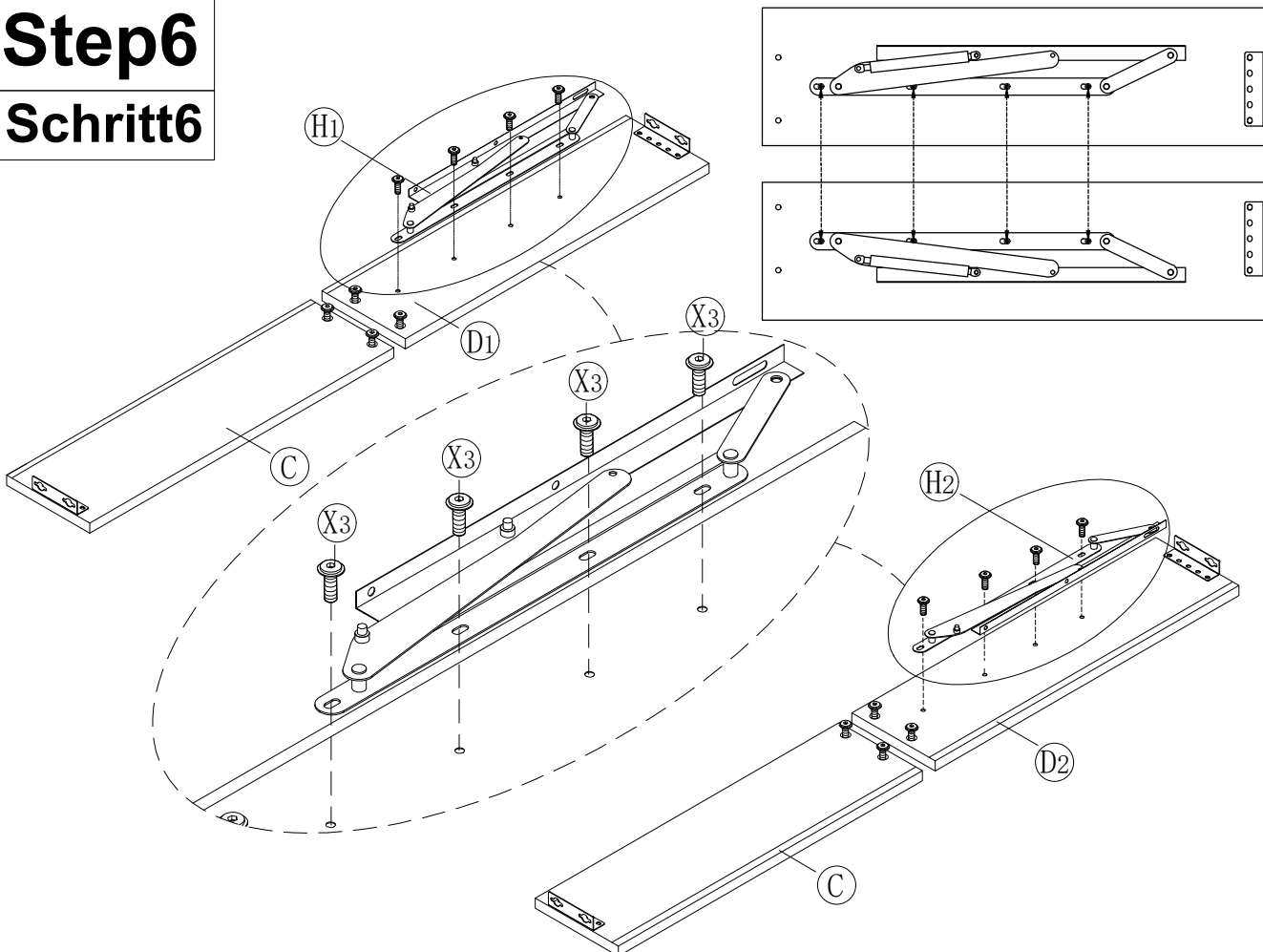
Step6

Schritt6

X3

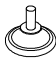
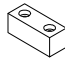
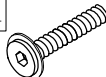



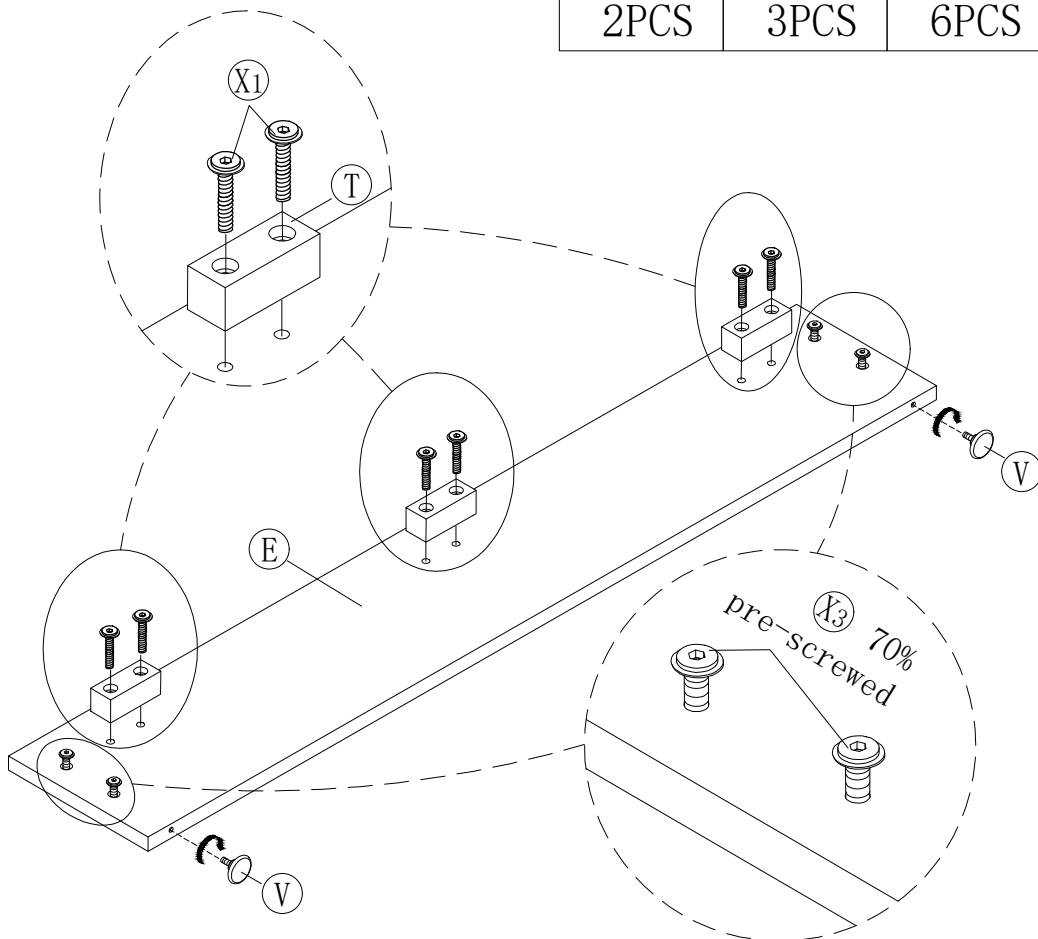
8PCS



Step7

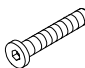
Schritt7

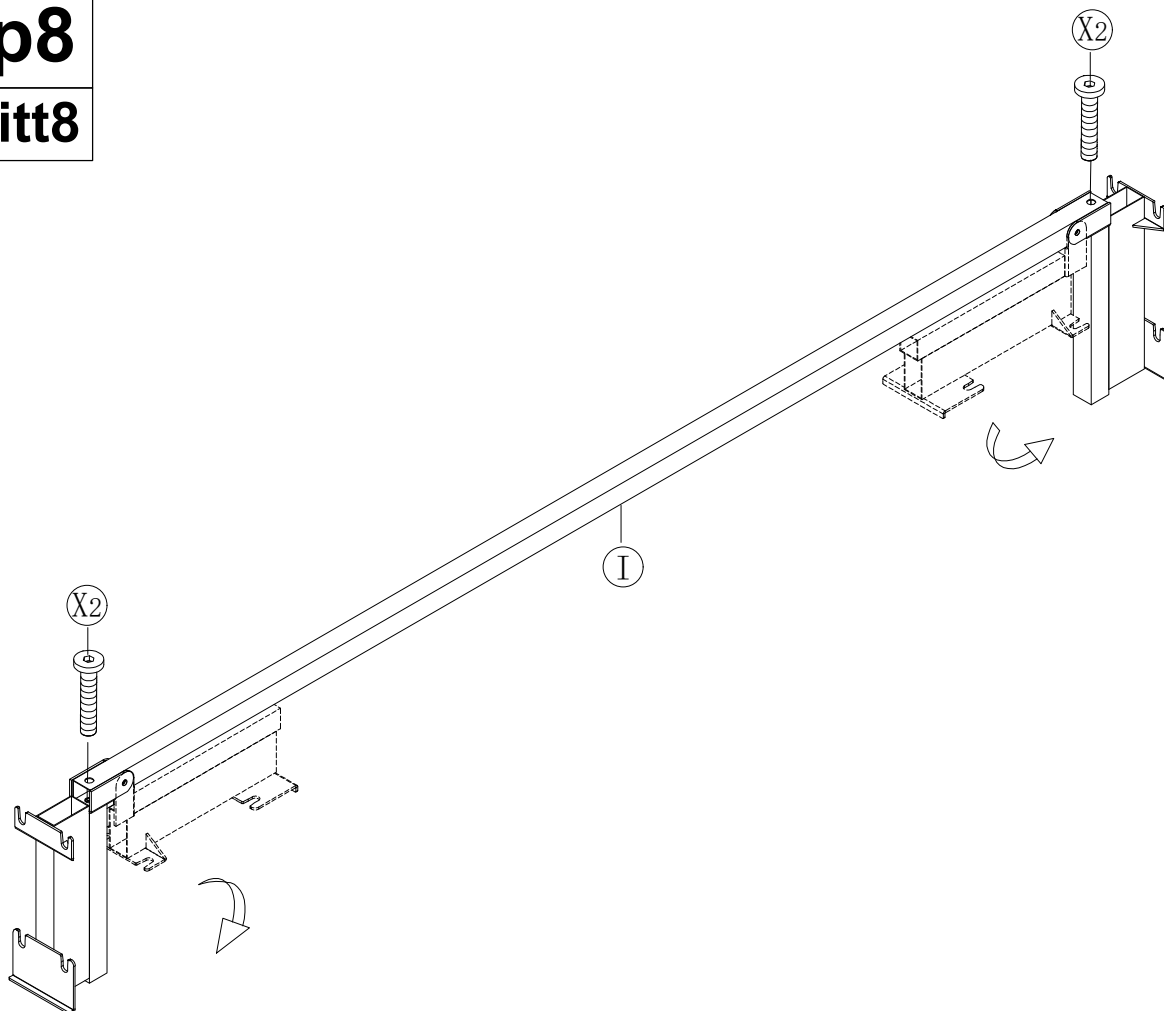
V	T	X1	X3
			
2PCS	3PCS	6PCS	4PCS



Step8

Schritt8

X2

2PCS



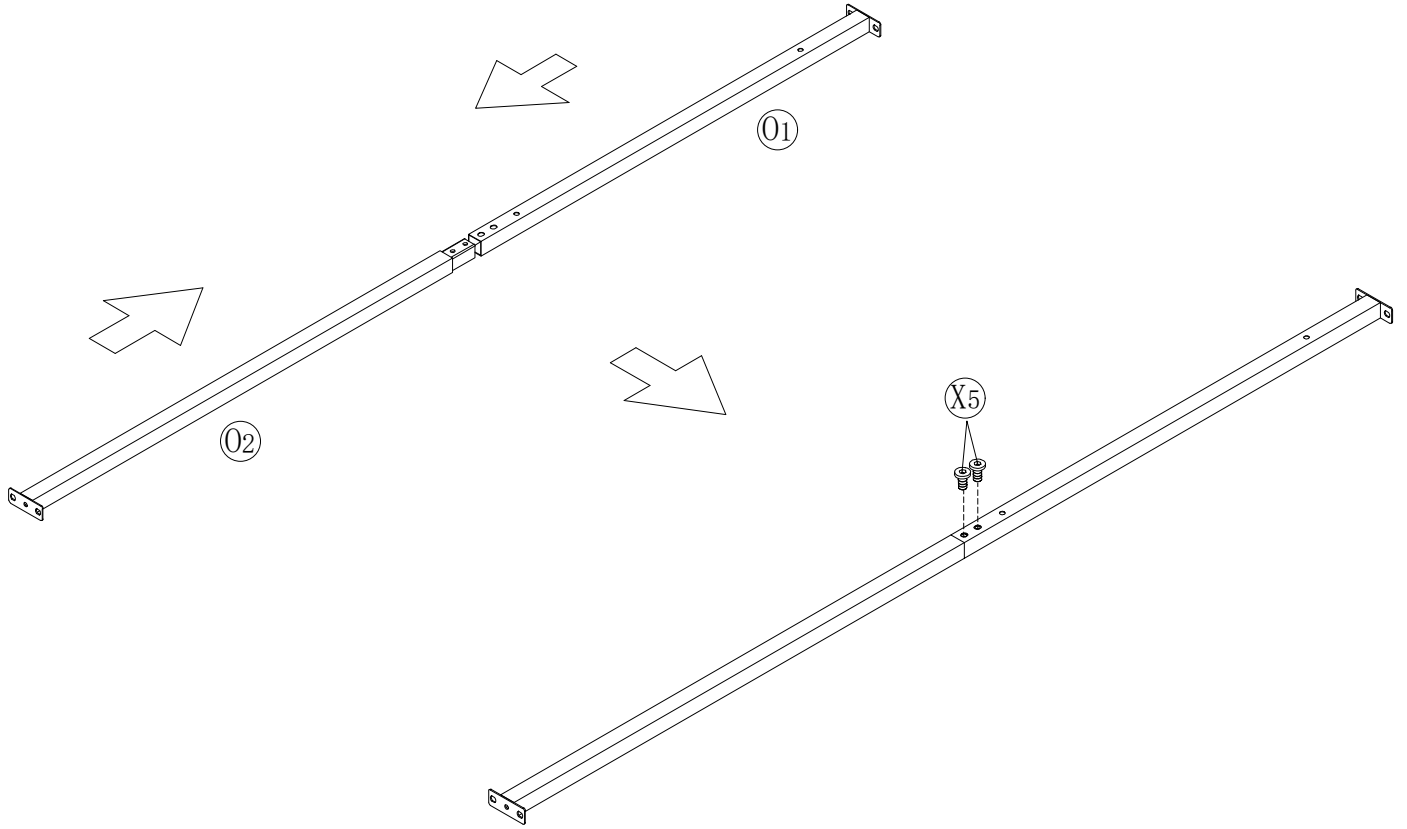
Step9

Schritt9

X5



2PCS



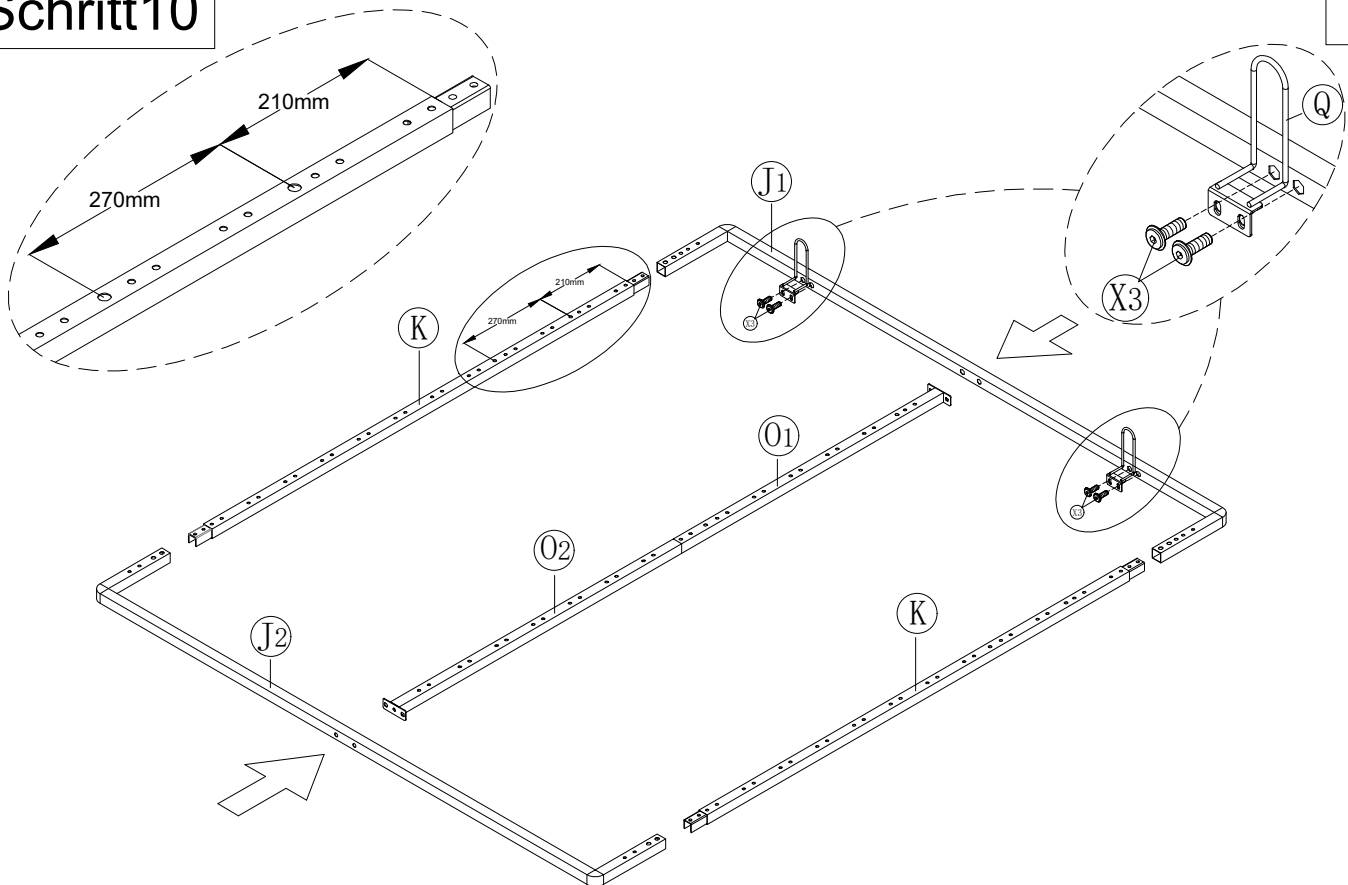
Step10

Schritt10

X3

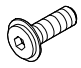
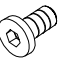


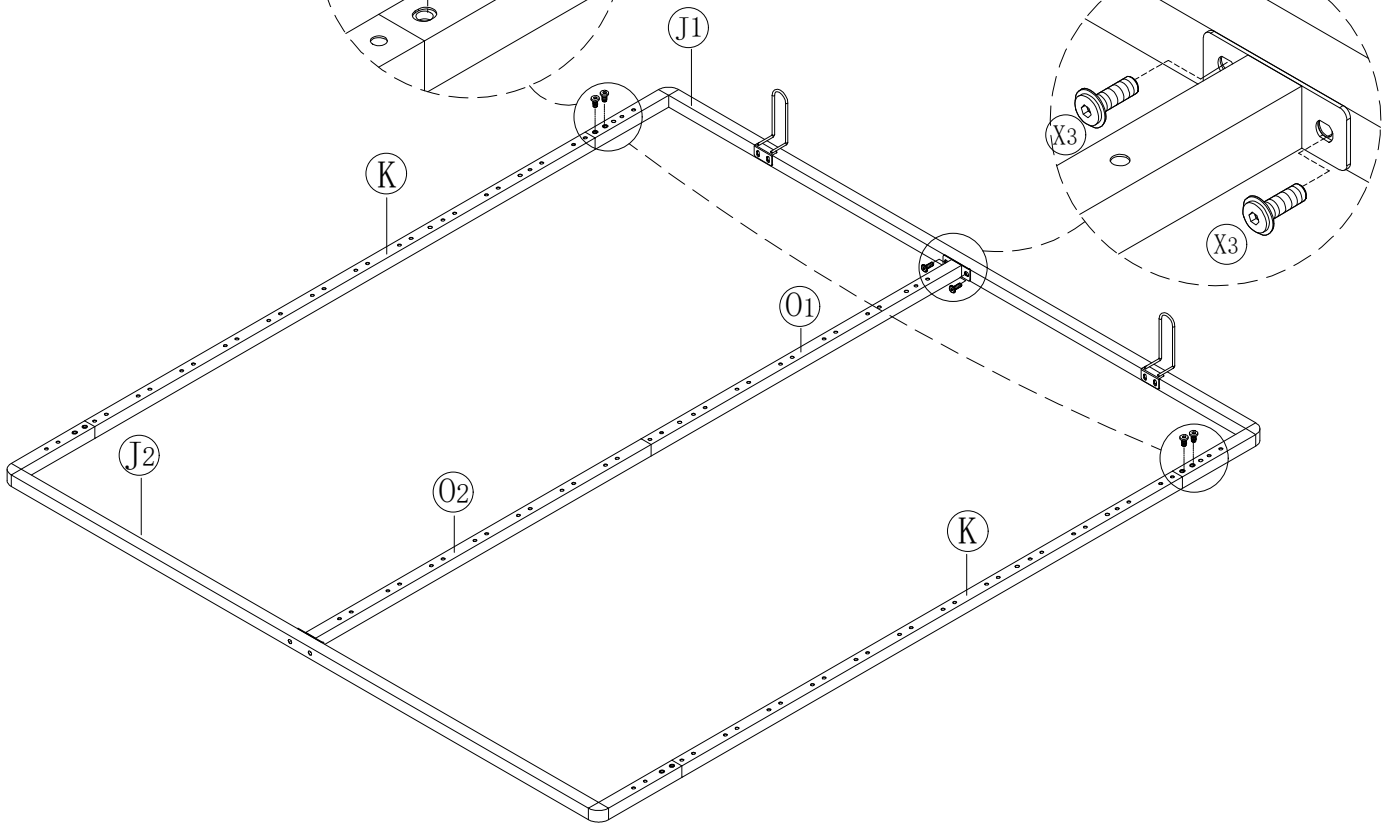
4PCS



Step 11

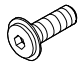
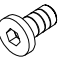
Schritt 11

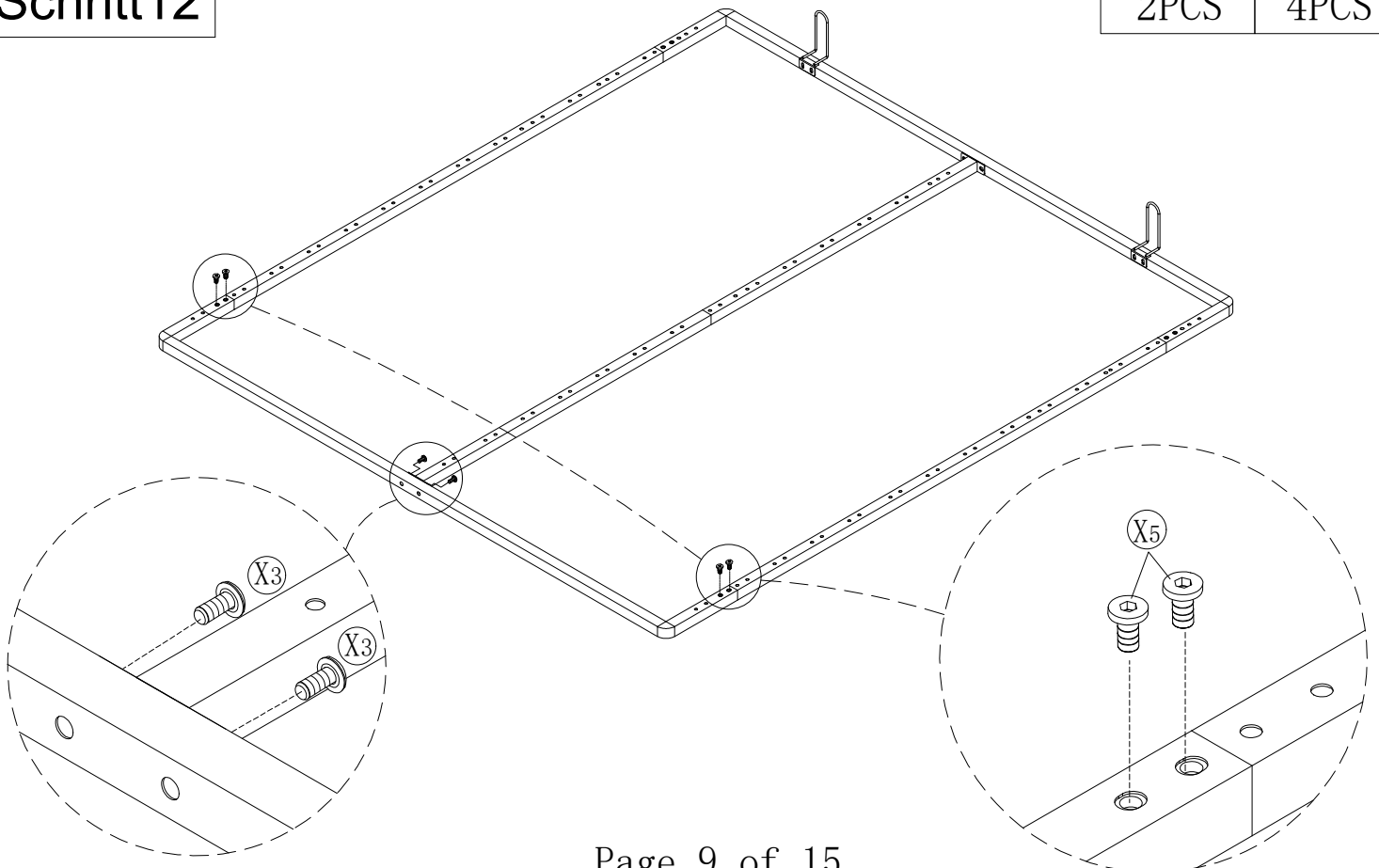
X3		X5	
2PCS		4PCS	



Step 12

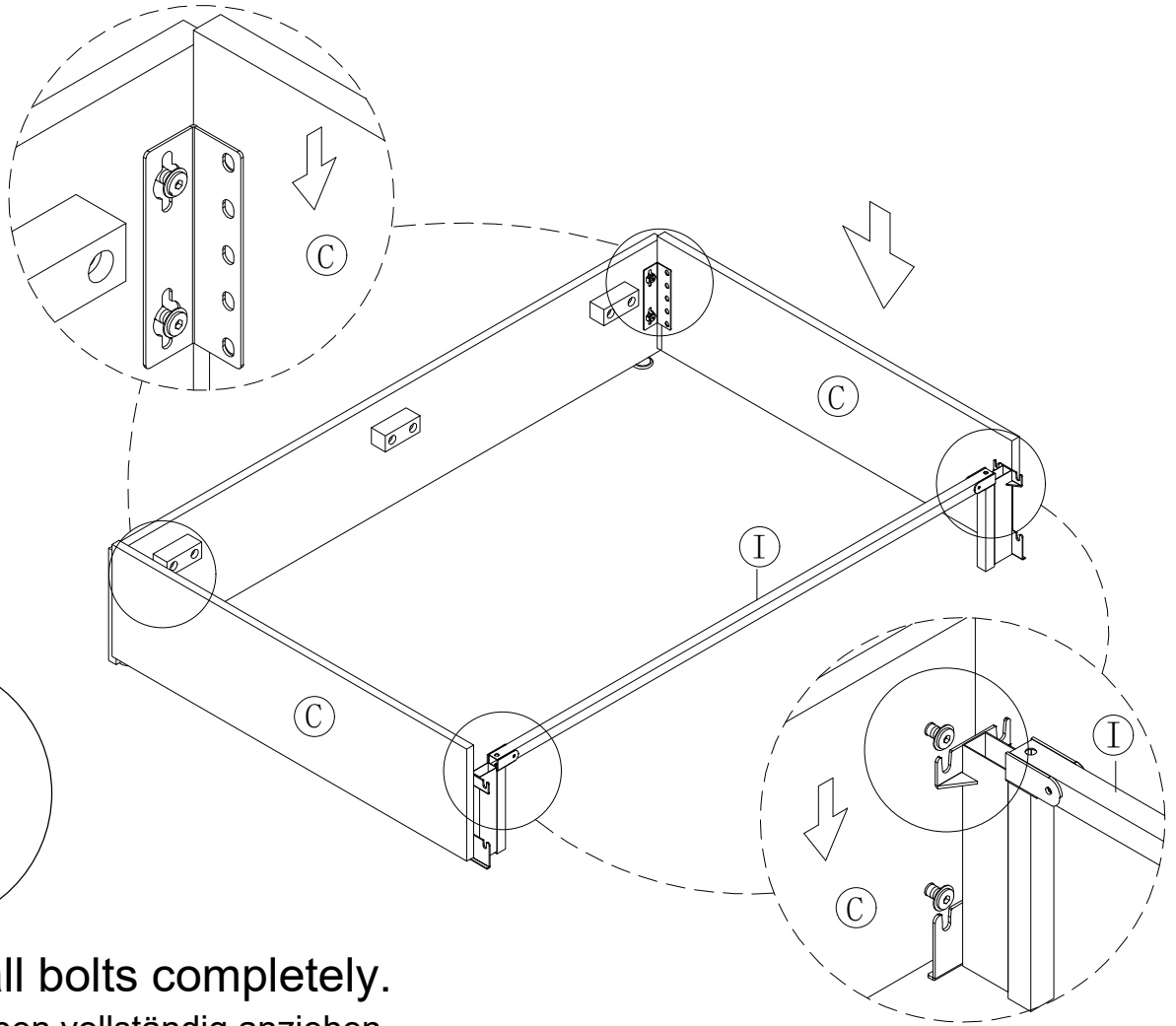
Schritt 12

X3		X5	
2PCS		4PCS	



Step 13

Schritt 13

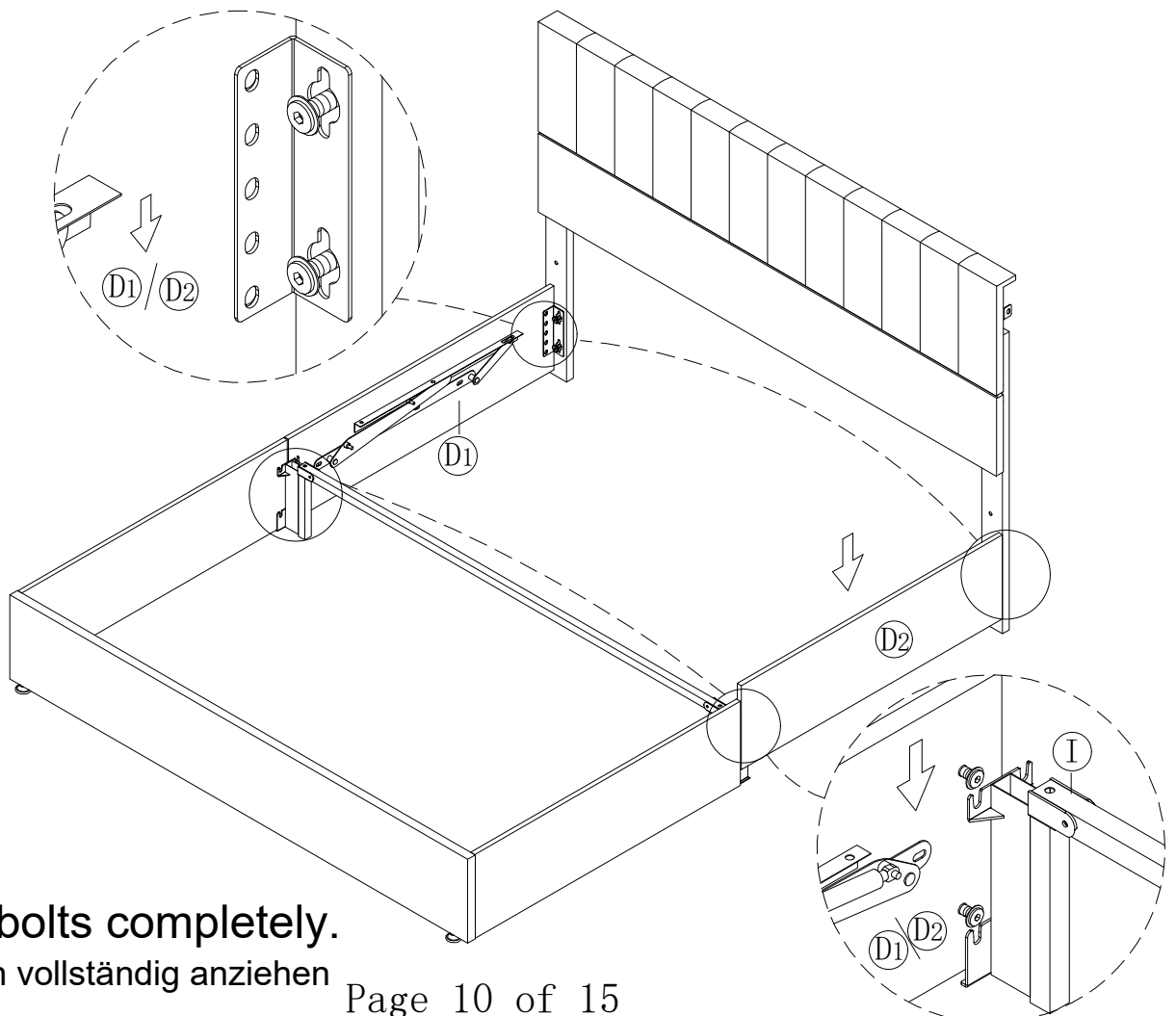


✳️ Tighten all bolts completely.

Alle Schrauben vollständig anziehen

Step 14

Schritt 14



✳️ Tighten all bolts completely.

Alle Schrauben vollständig anziehen

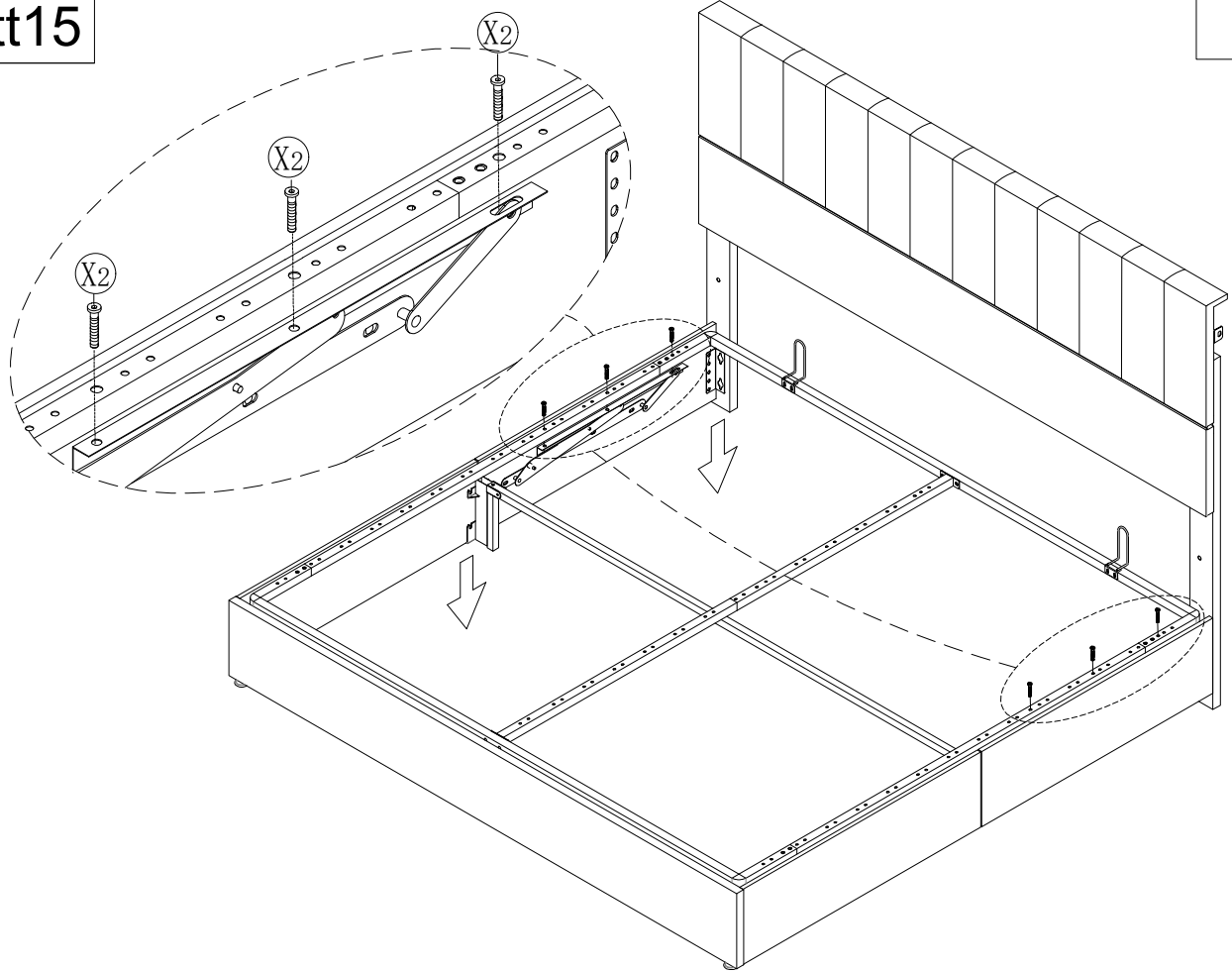
Step 15

Schritt 15

X2



6PCS



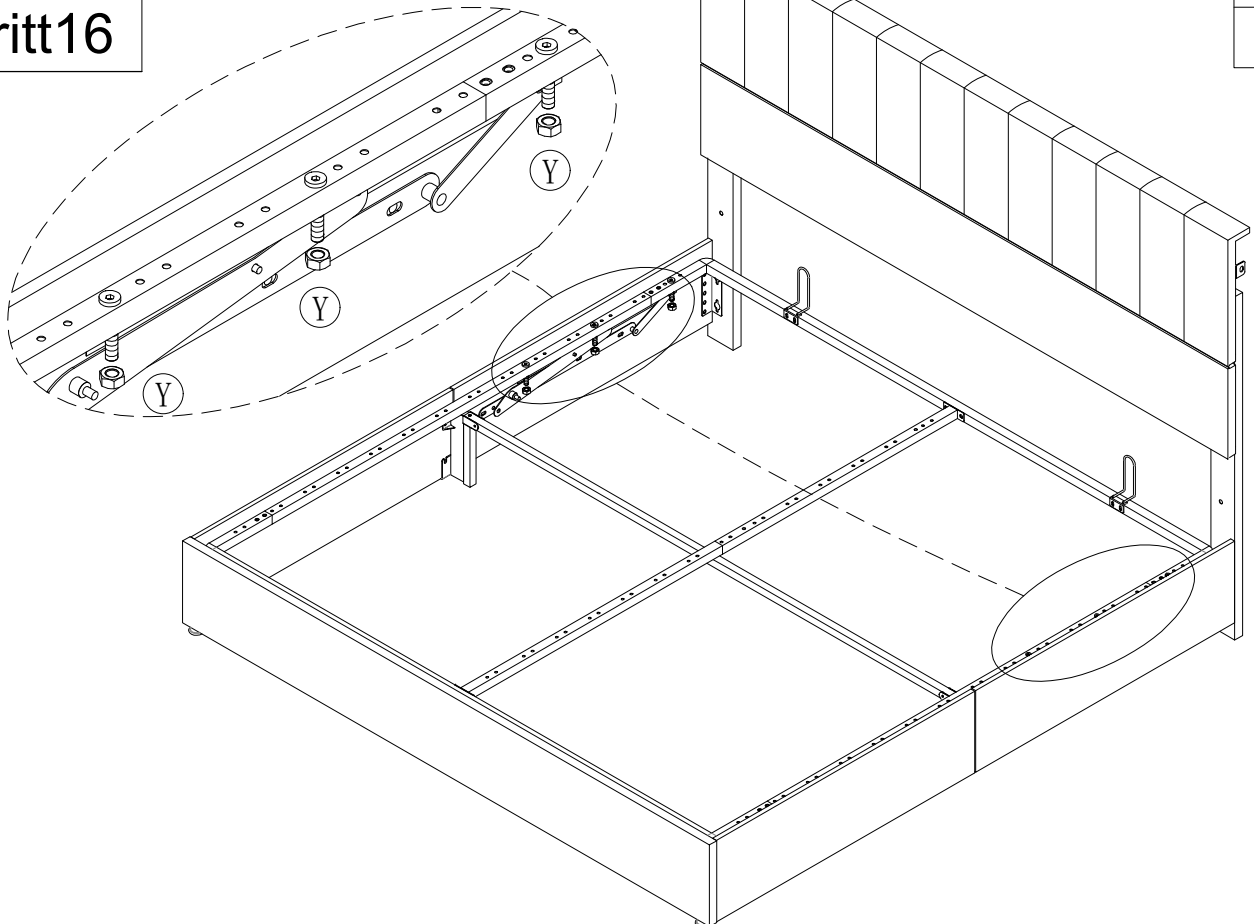
Step 16

Schritt 16

Y



6PCS



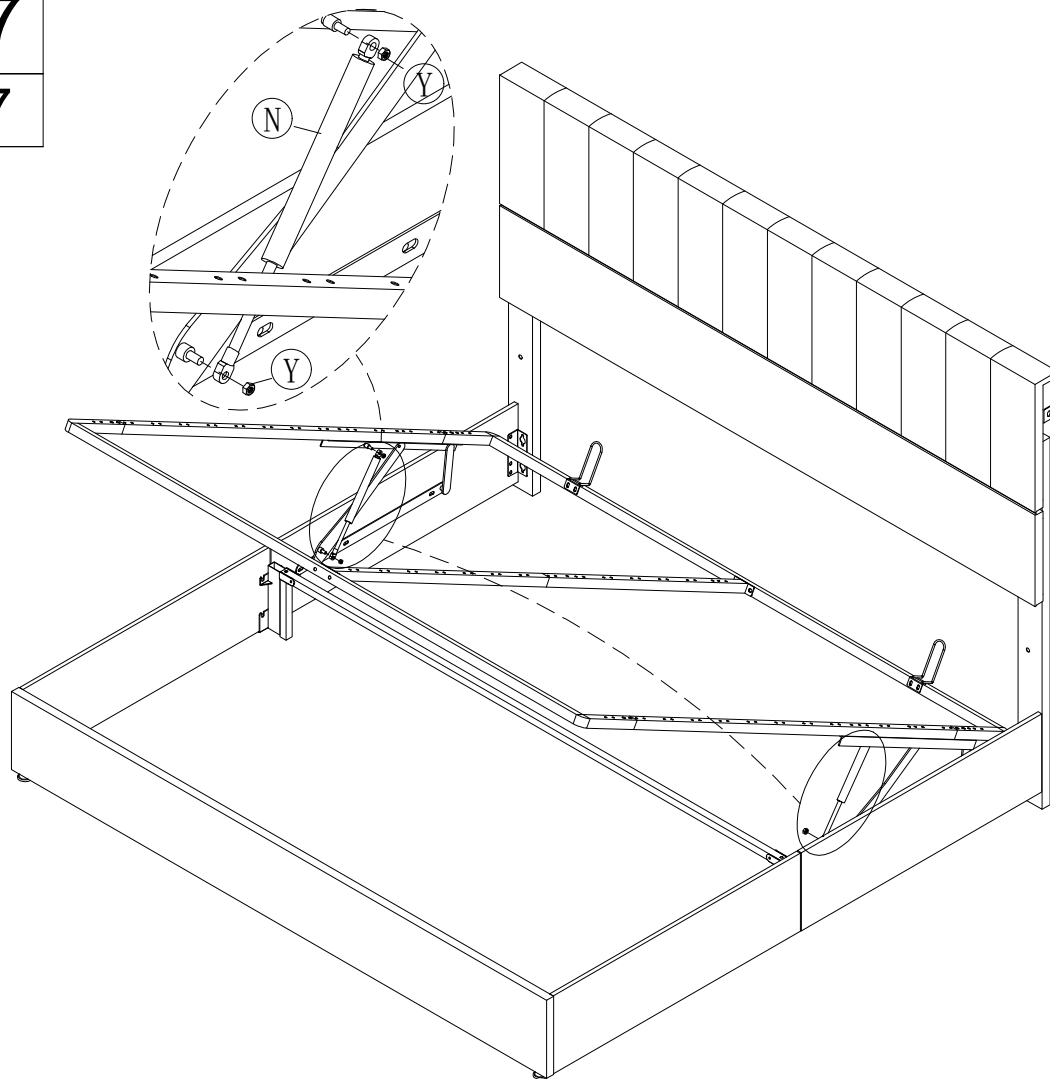
Step 17

Schritt 17

Y



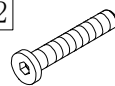
4PCS



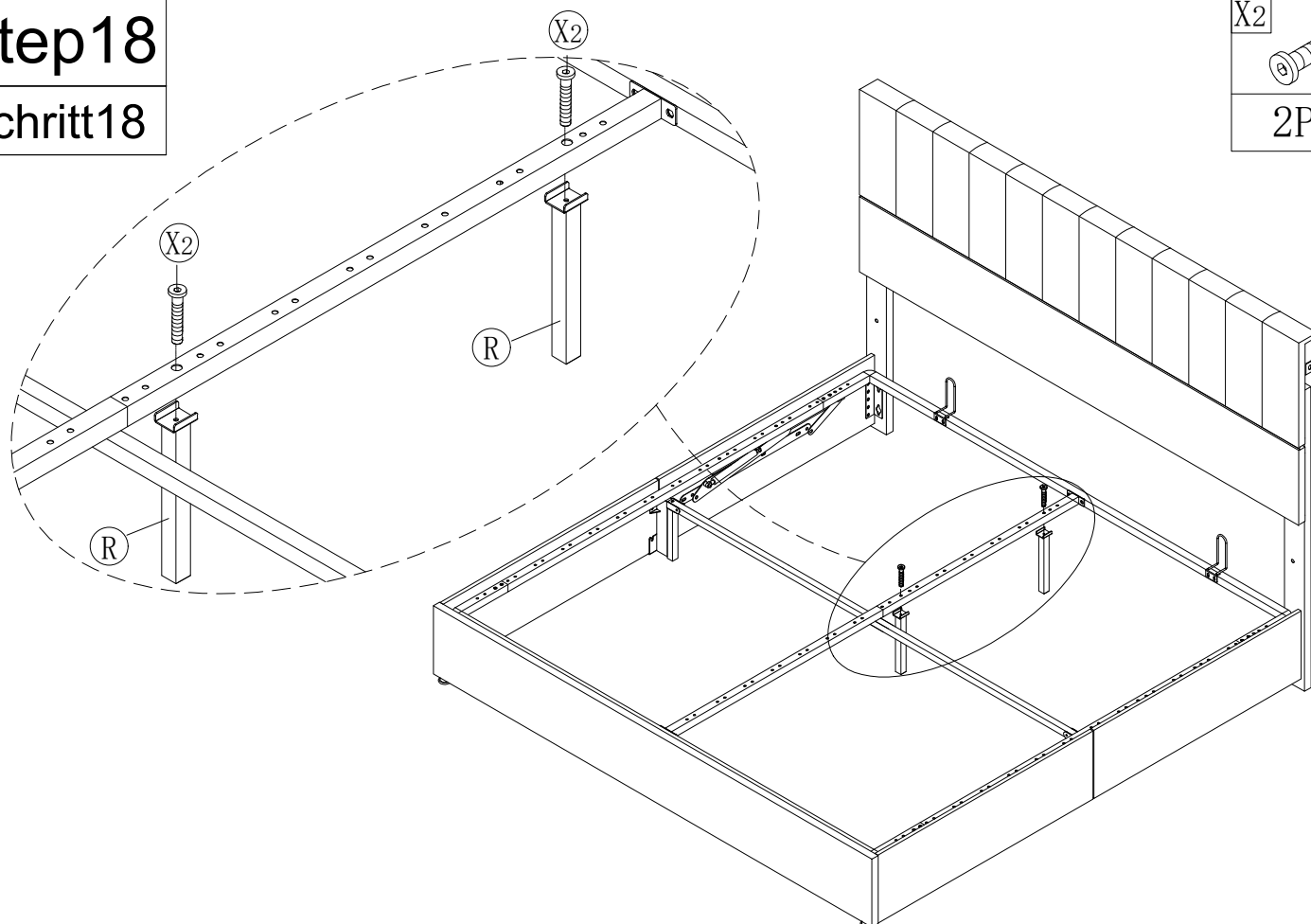
Step 18

Schritt 18

X2



2PCS



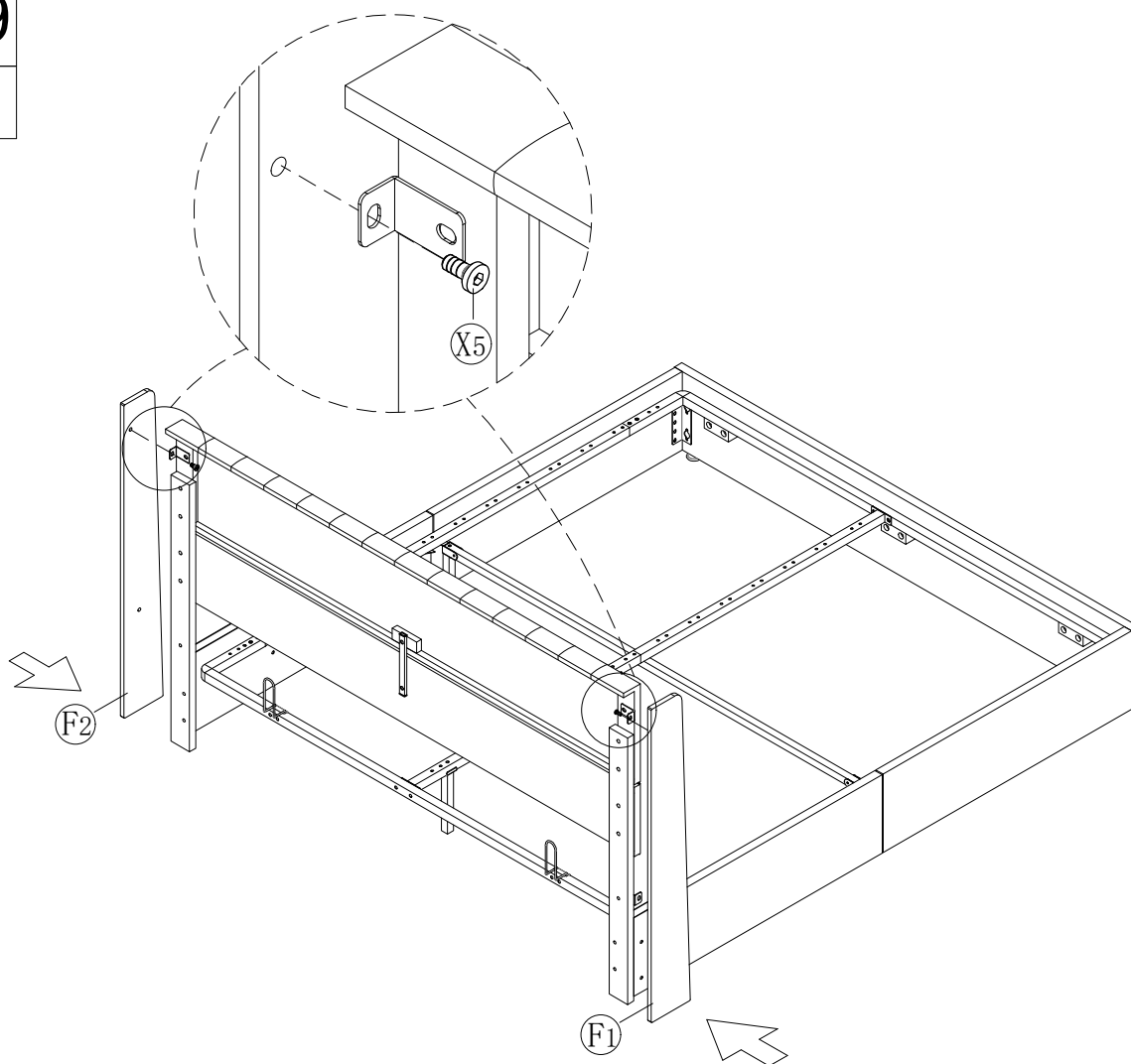
Step19

Schritt19

X5



2PCS



Step20

Schritt20

P

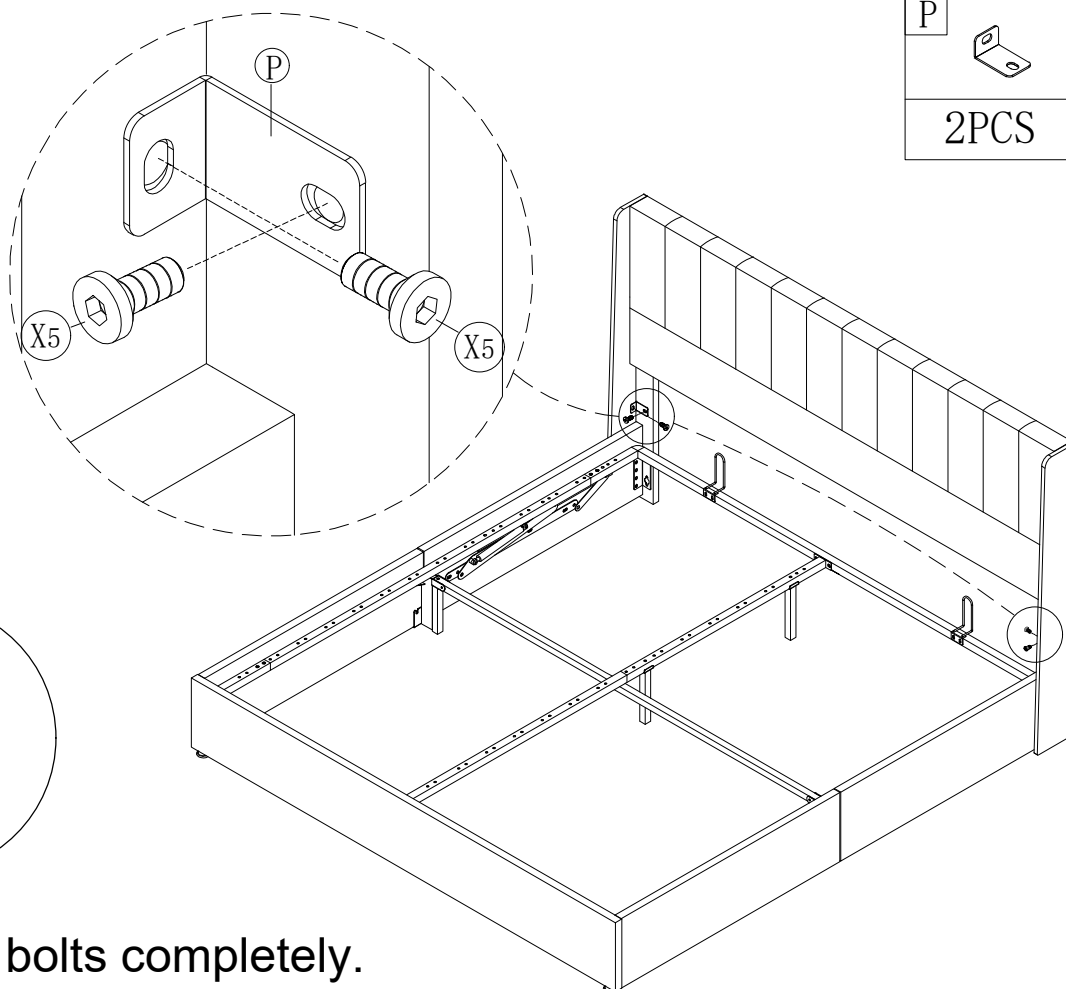


2PCS

X5



4PCS

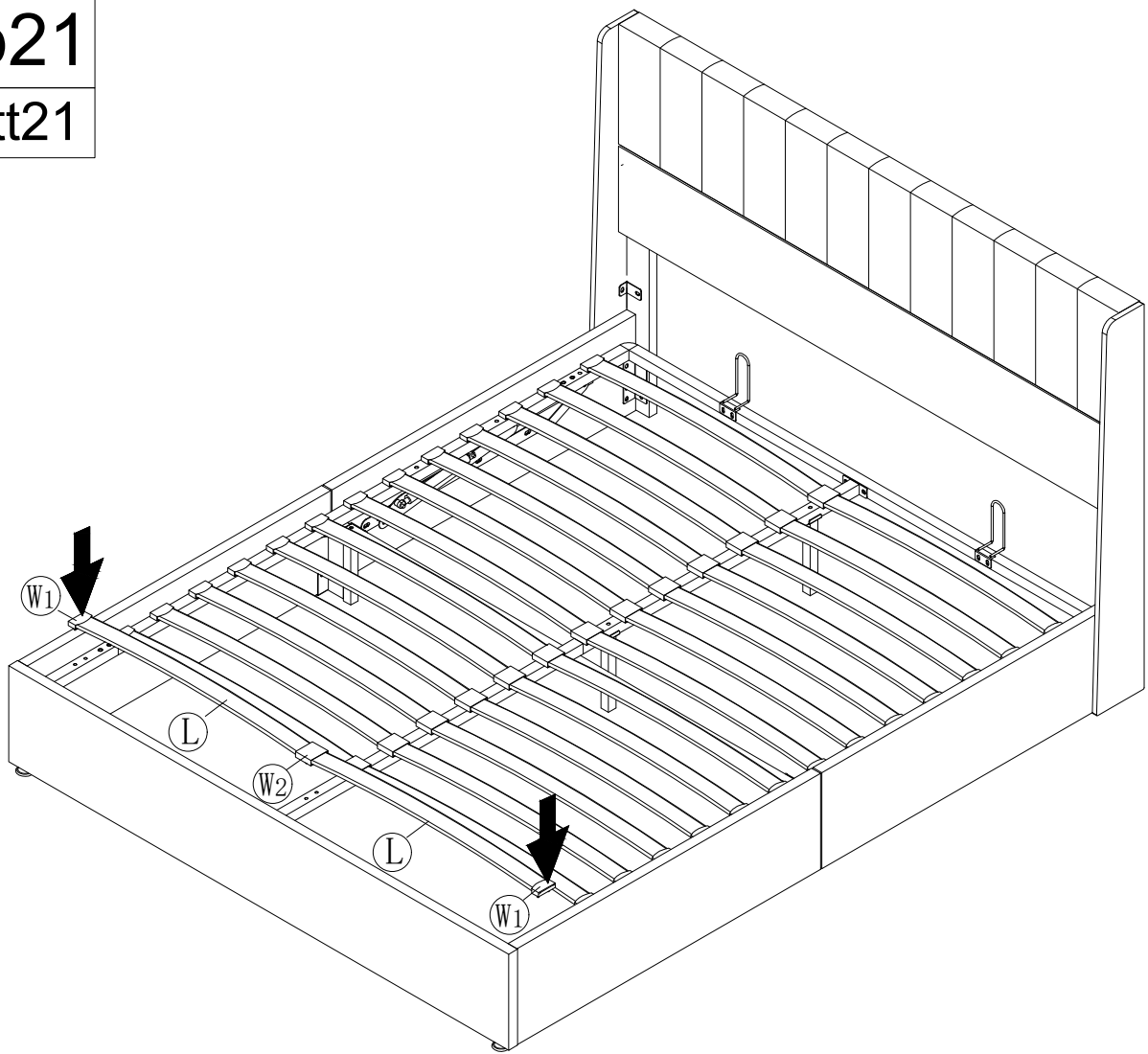


※ Tighten all bolts completely.

Alle Schrauben vollständig anziehen

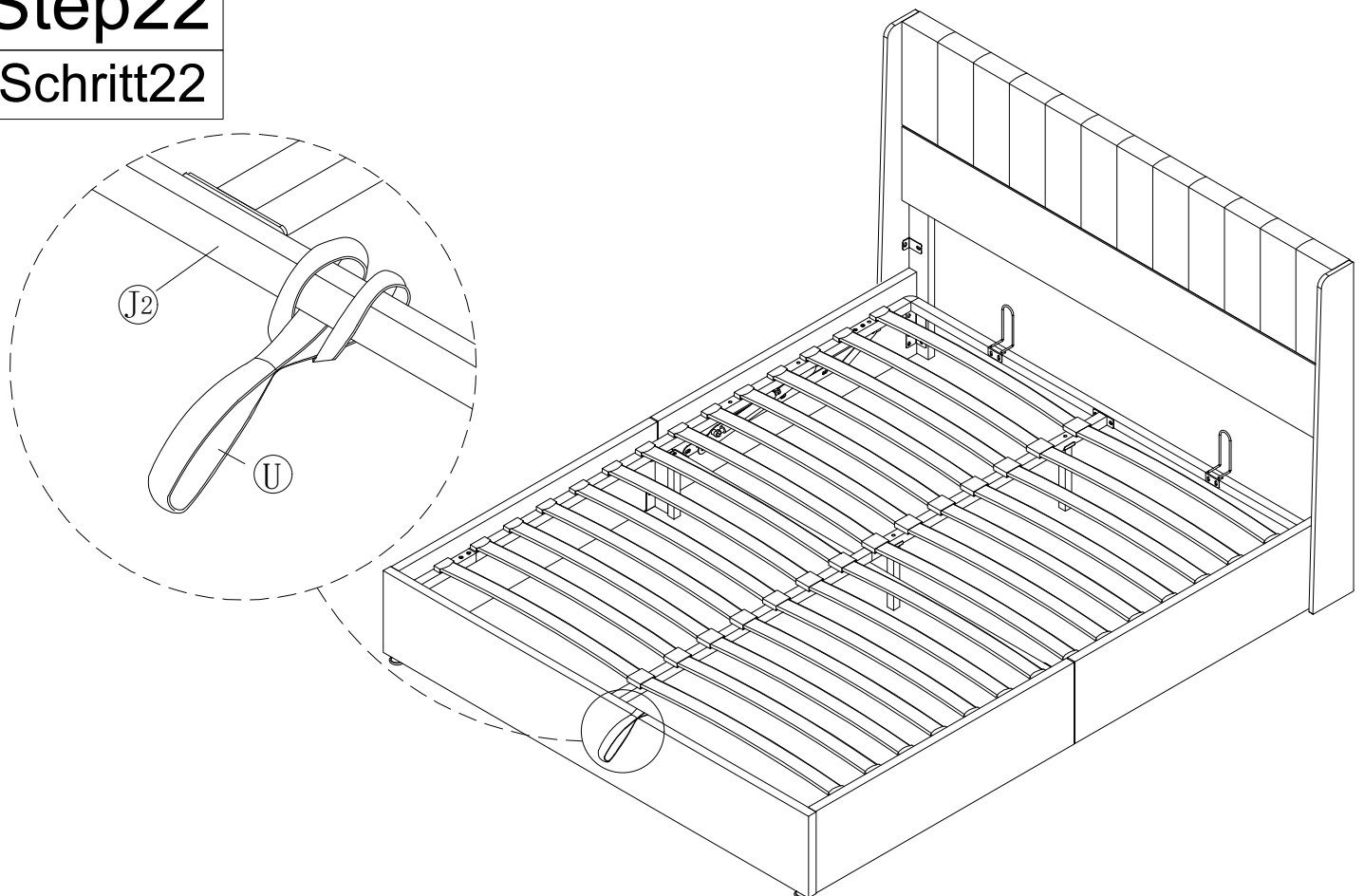
Step21

Schritt21



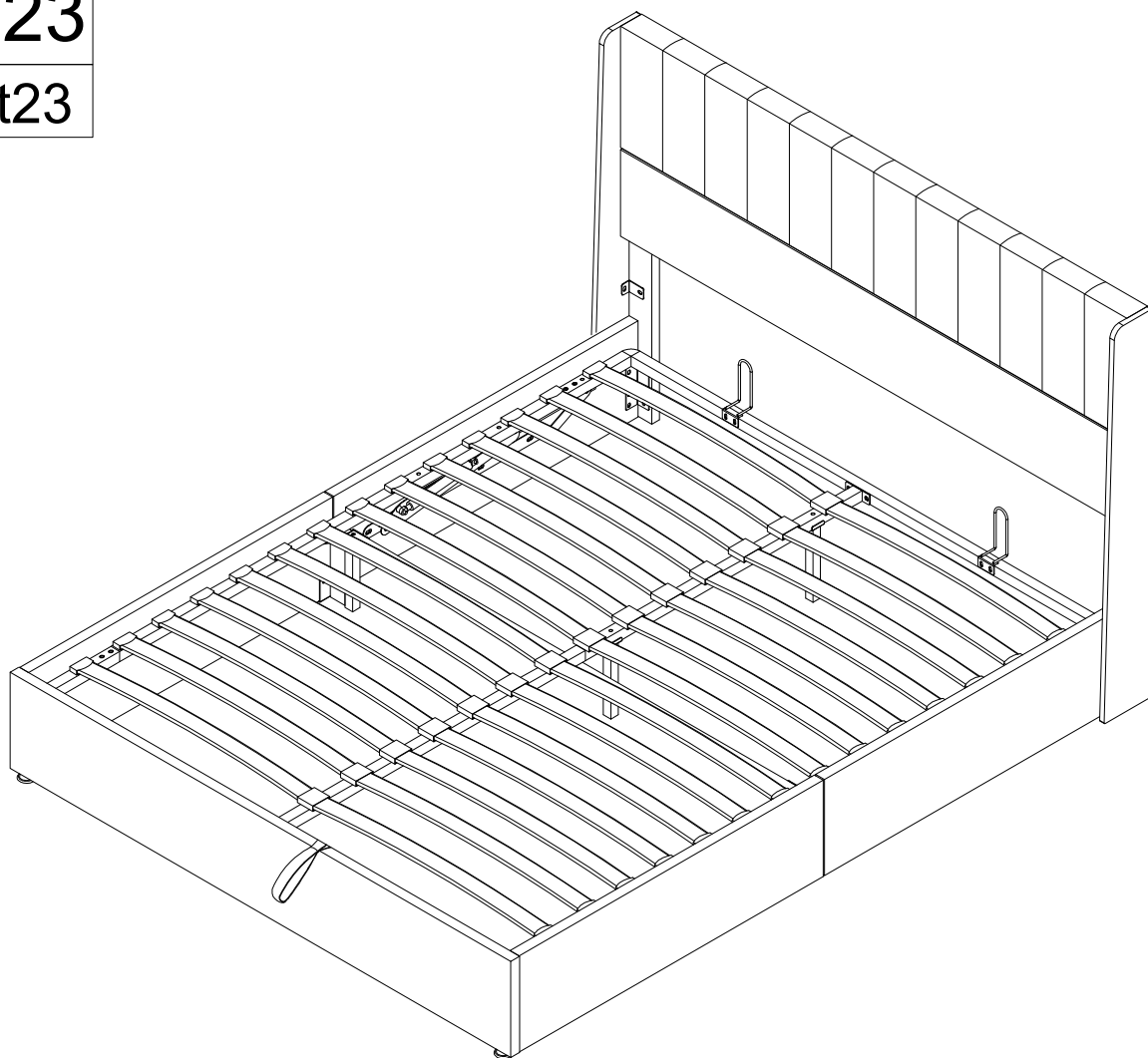
Step22

Schritt22



Step23

Schritt23



IMPORTANT NOTICE OTTOMAN OPERATING INSTRUCTIONS

Once your bed frame is completely assembled, the slat unit will not operate correctly unless a mattress is placed on the slat frame. Position the mattress on the slat frame whilst it is in the closed position.

PLEASE NOTE - It takes a lot of force to make the initial movement of the ottoman. This is a design feature of the product so that it does not fall shut - the nearer to being closed the ottoman is, the easier it is to move. When the ottoman is almost shut, it will close completely under its own weight.

When lowering the slat unit for the first time, take care to make sure it does not rub unevenly on the inside face of the side rails. If it does, the bed has been assembled slightly out of square. This can be rectified by moving the foot end of the bed slightly to the left or right whilst leaving the head end stationary.

PISTONS

The pistons used in the construction of this product are extremely strong and cannot be operated by hand when taken off the ottoman. All pistons are tested for correct pressure and operation before being attached to the slat unit.

Initially it might appear that the pistons are very stiff when opening and closing the ottoman.

THIS IS PERFECTLY NORMAL

When fully assembled and the mattress is in position, please raise and lower the ottoman 4/5 times to ensure the gas piston are fully lubricated.

