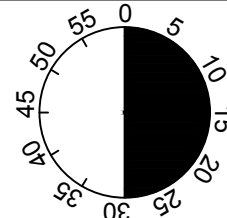
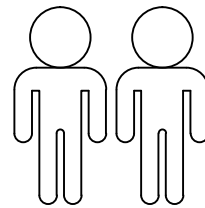
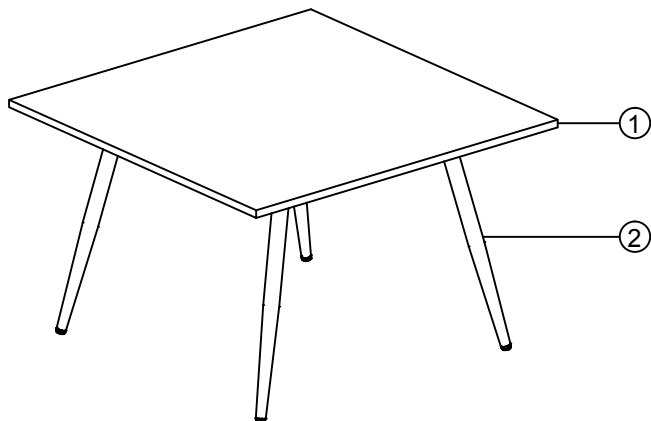
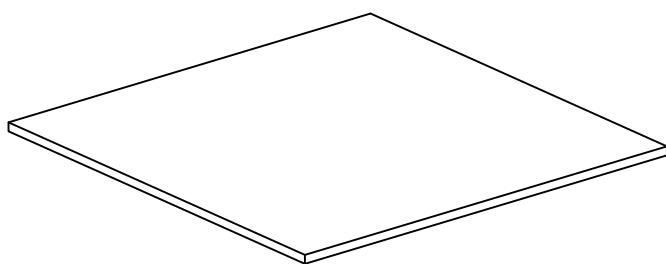


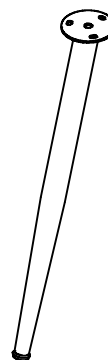
Linea II T

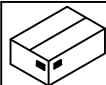


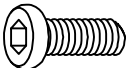



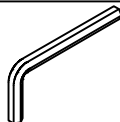
1



2

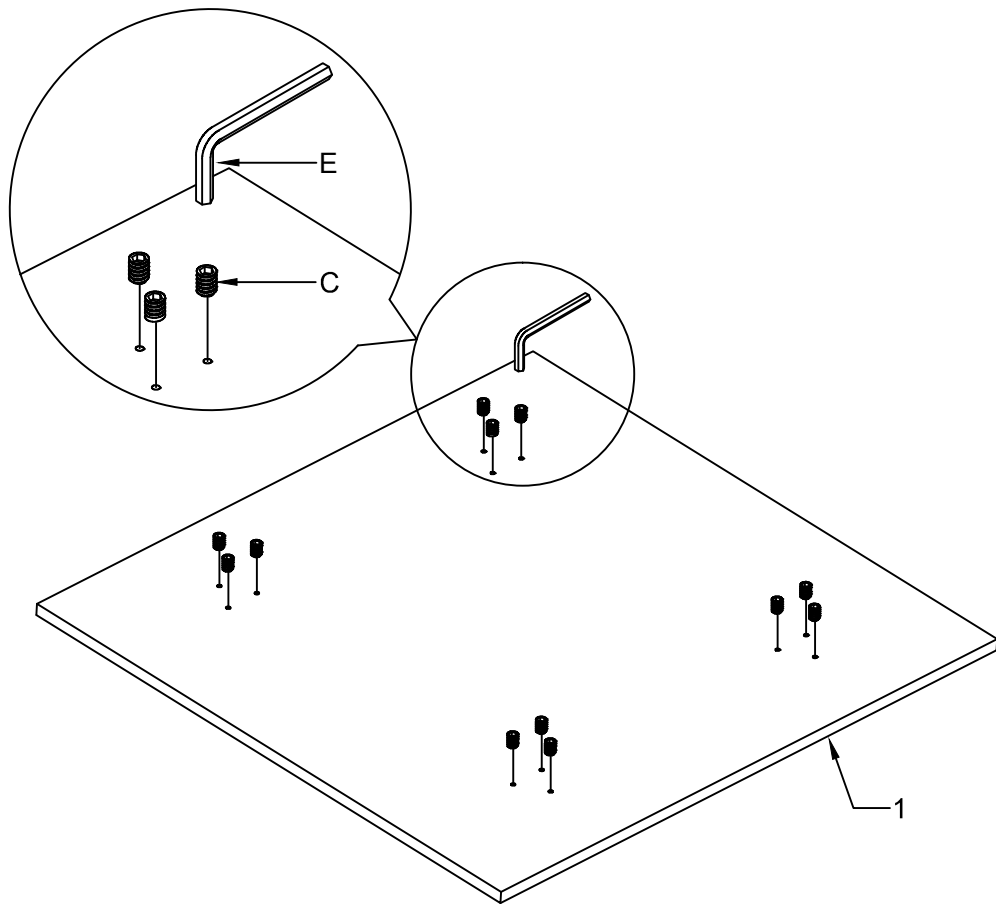


		
1	1X	1/2
2	4X	2/2

A	M8x16	B	Ø18xØ8x1.5	C	M8x12	D	5MM	E	8MM
	12x		12x		12x		1x		1x

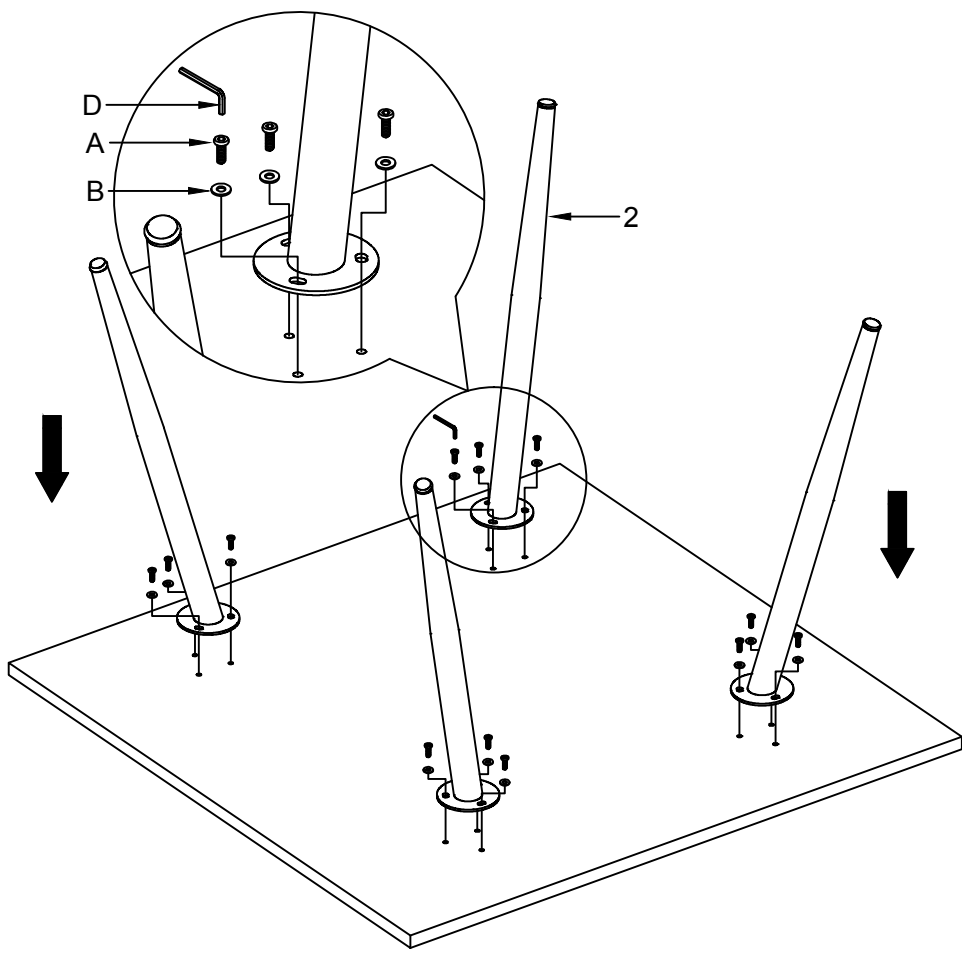
I.

1



C	M8x12
	12x
E	8MM
	1x

2



A	M8x16
	12x
B	Ø18xØ8x1.5
	12x
D	5MM
	1x

