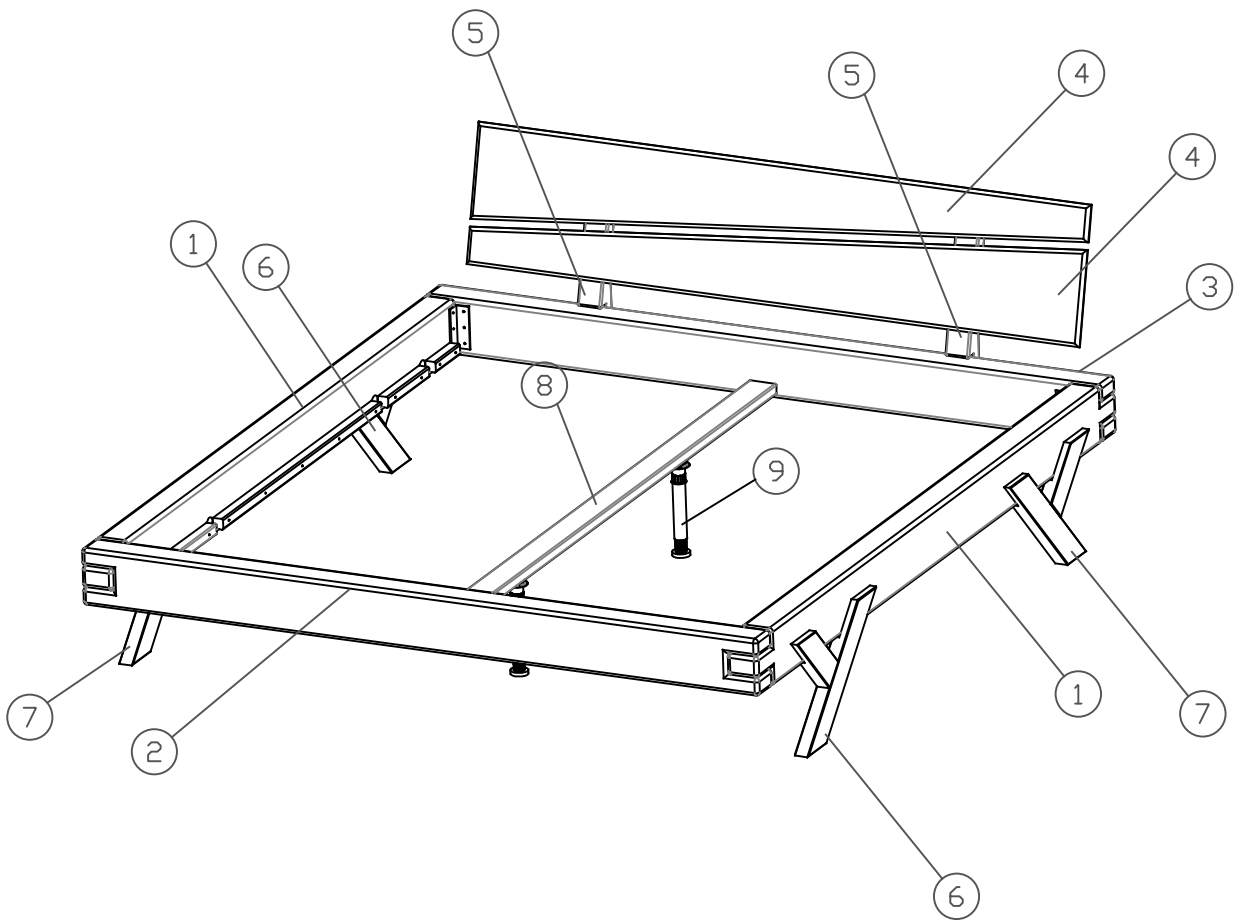



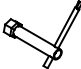


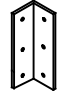



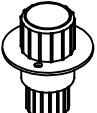
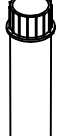





BED MFSBB84

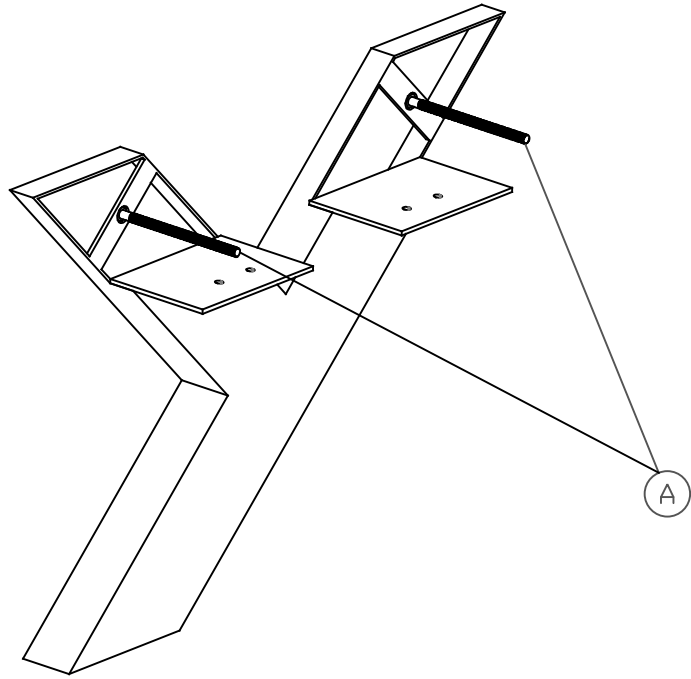


40 Minutes



M8x105  Ax8	M8  Bx8	M8  Cx8	13  x1	4x35  Dx24	3,5x16  Ex14	40x40x120  Fx4	 Gx2	 Hx2	 Ix2
 Jx2	 Kx2	 Lx2	M6x60  Mx4	M6x55  Nx6					

1.

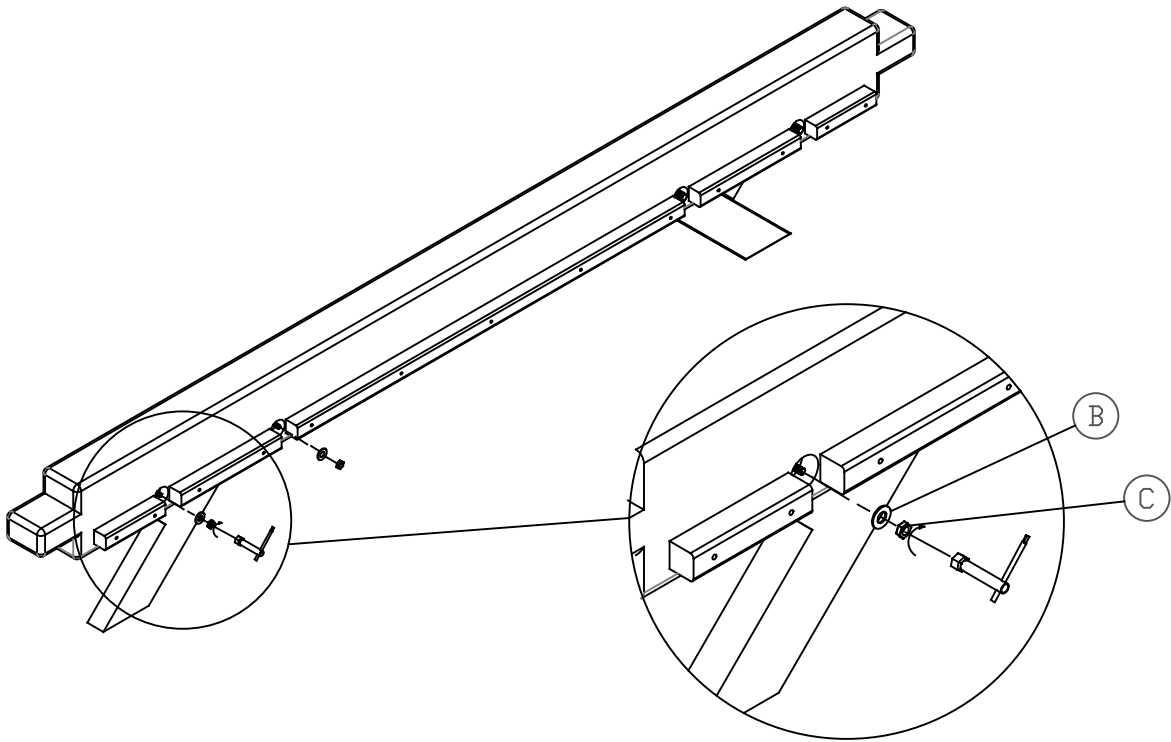


M8x105



Ax8

2.



M8x105



Ax8

M8



Bx8

M8

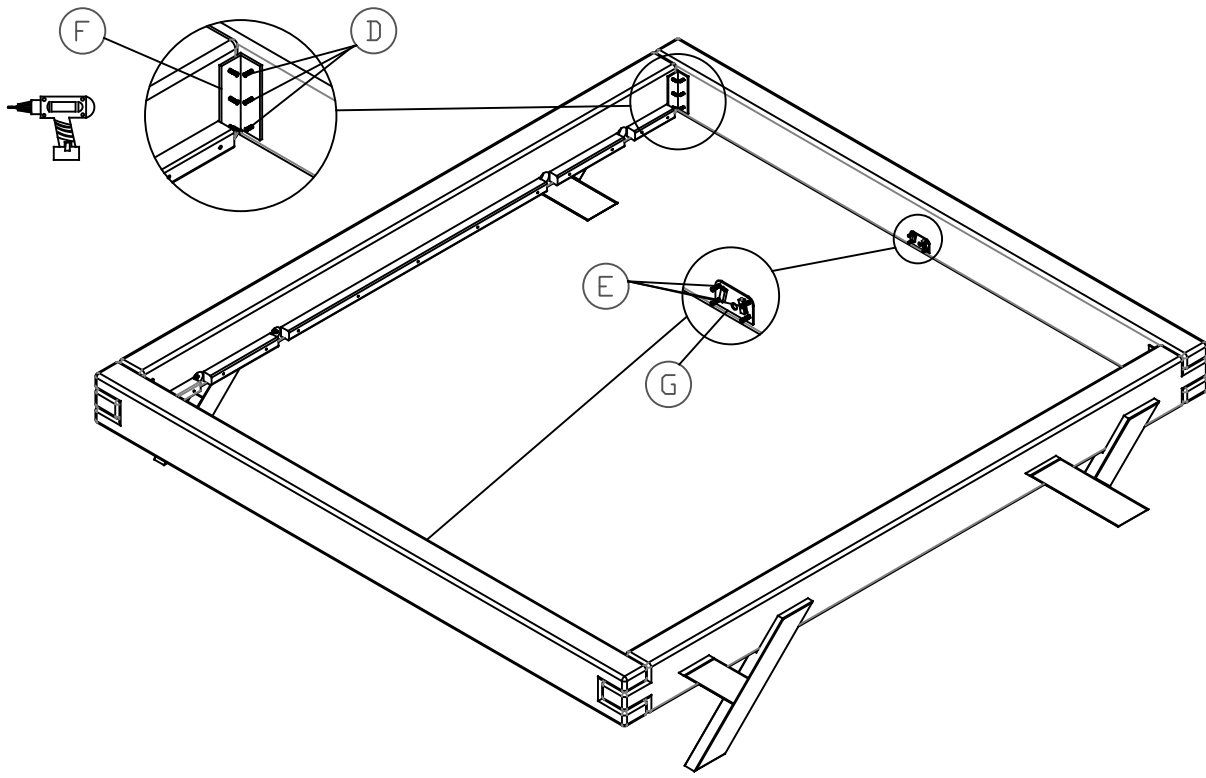






Cx8

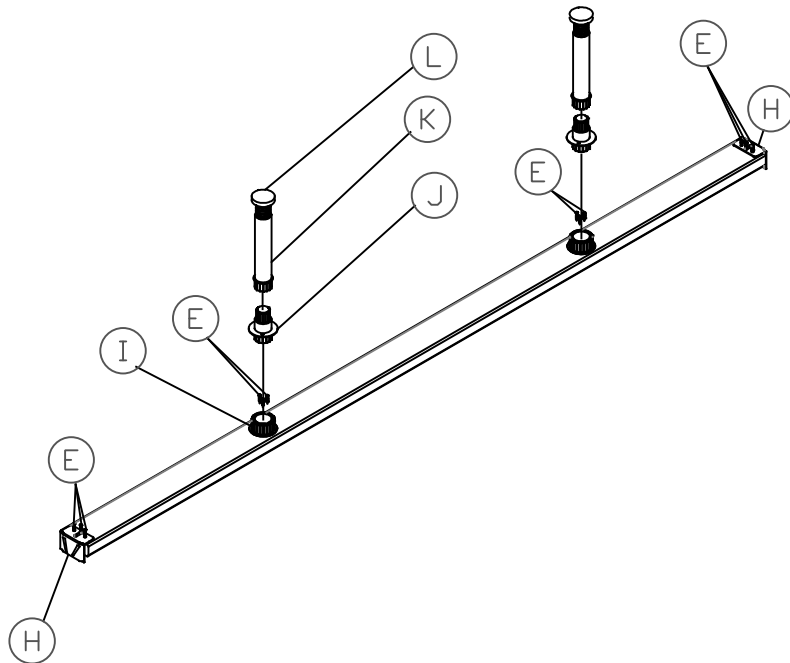
13




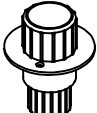
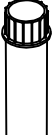



x1

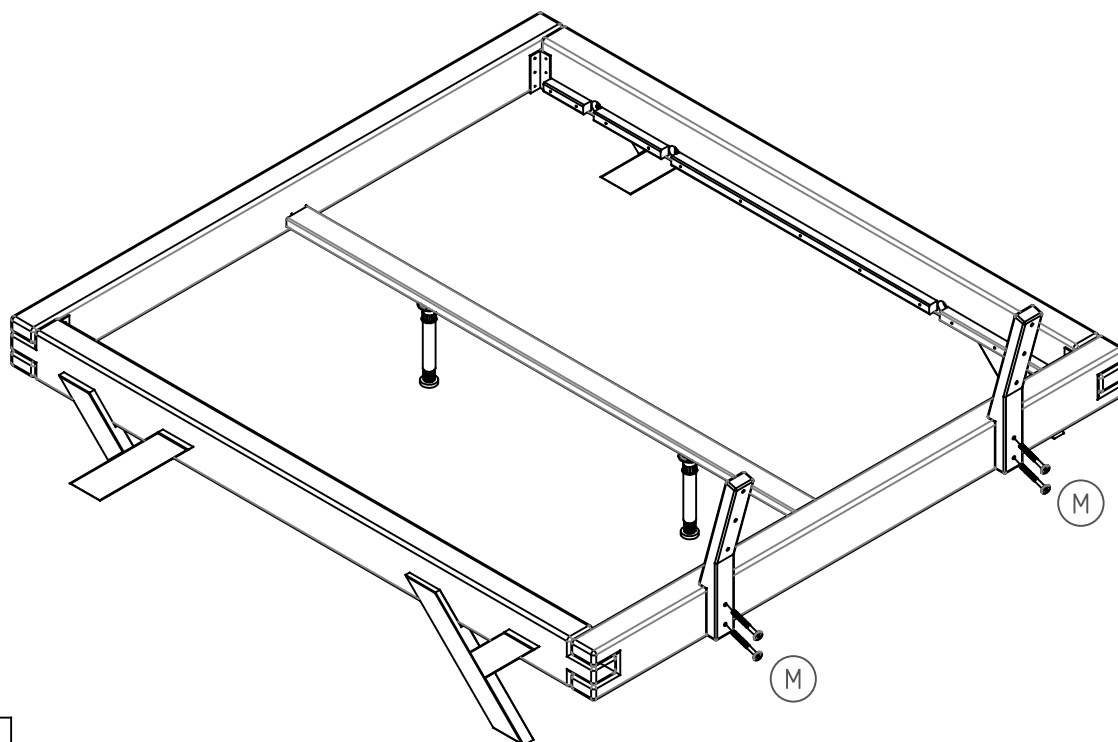


4x35  Dx24	3,5x16  Ex8	40x40x120  Fx4	 Gx2
---	---	--	---



 Hx2	3,5x16  Ex12	 Ix2	 Jx2	 Kx2	 Lx2
---	---	--	--	--	--

5.

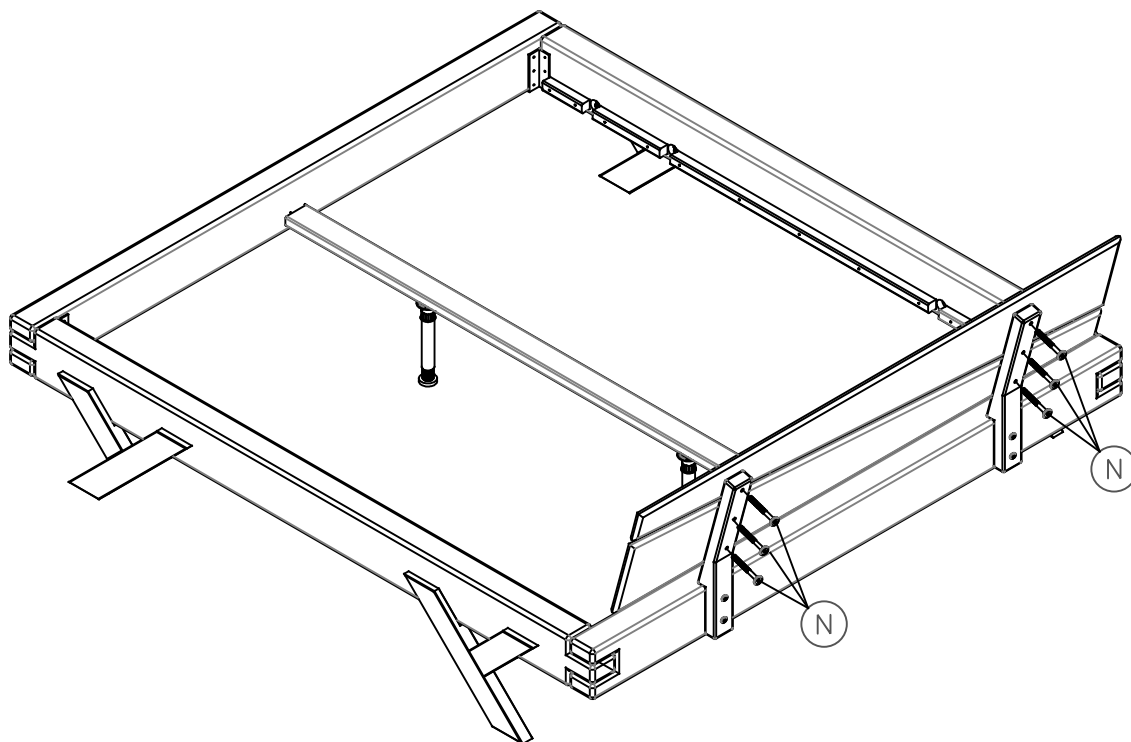


M6x60



Mx4

6.



M6x55



Nx6