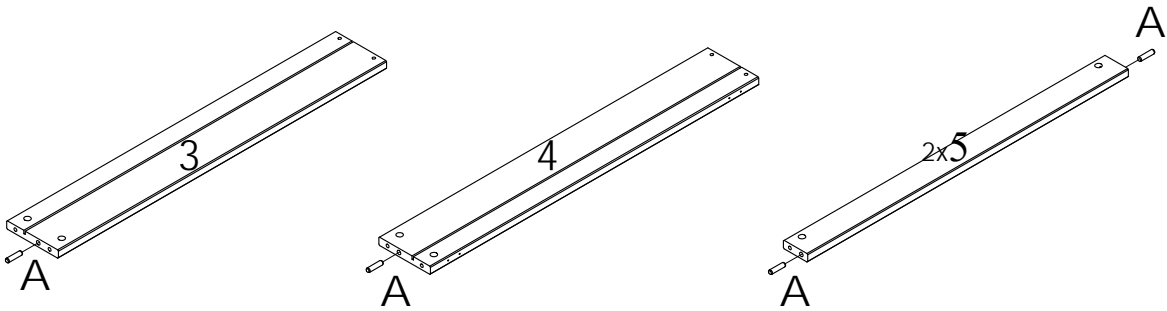
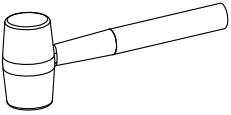
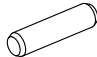


A		10x40	x6
B		7x50	x4
C		7x34	x8
D		15x12	x8
E		3,5x40	x16
F		1897	x2

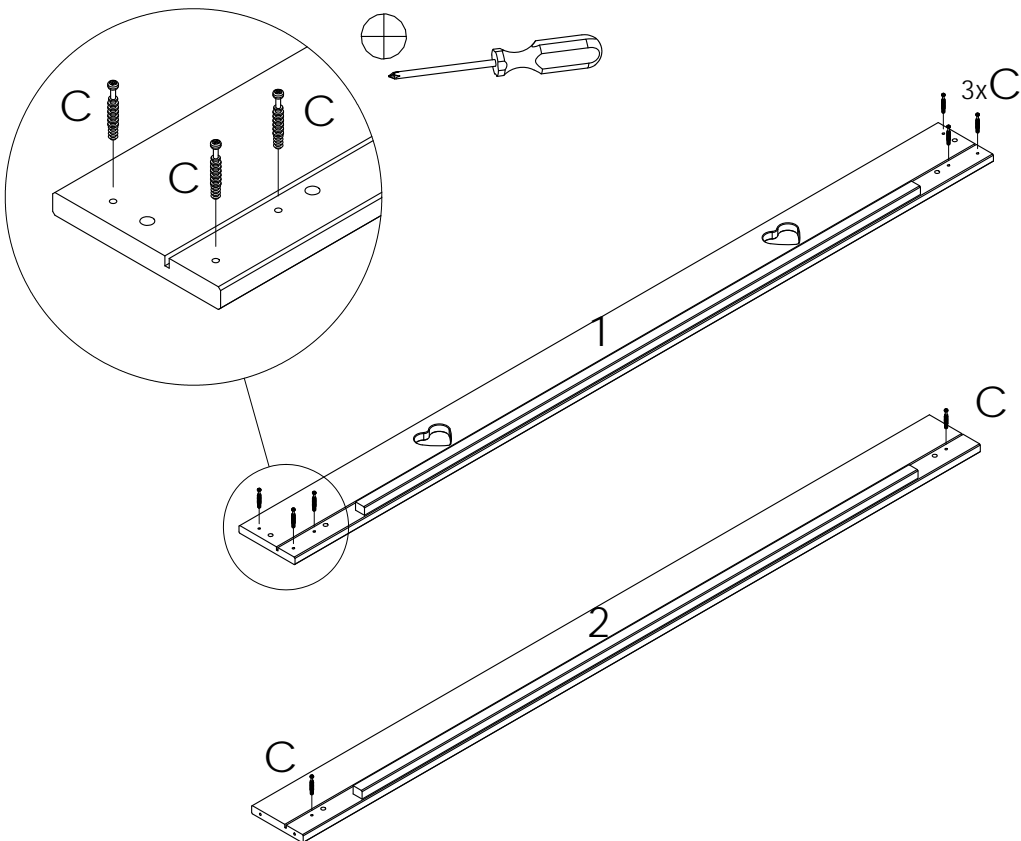
G		D26	x4
H		3,5x16	x8
J		D4x13	x4
K		120x30x6	x2
L		4mm	x1


1



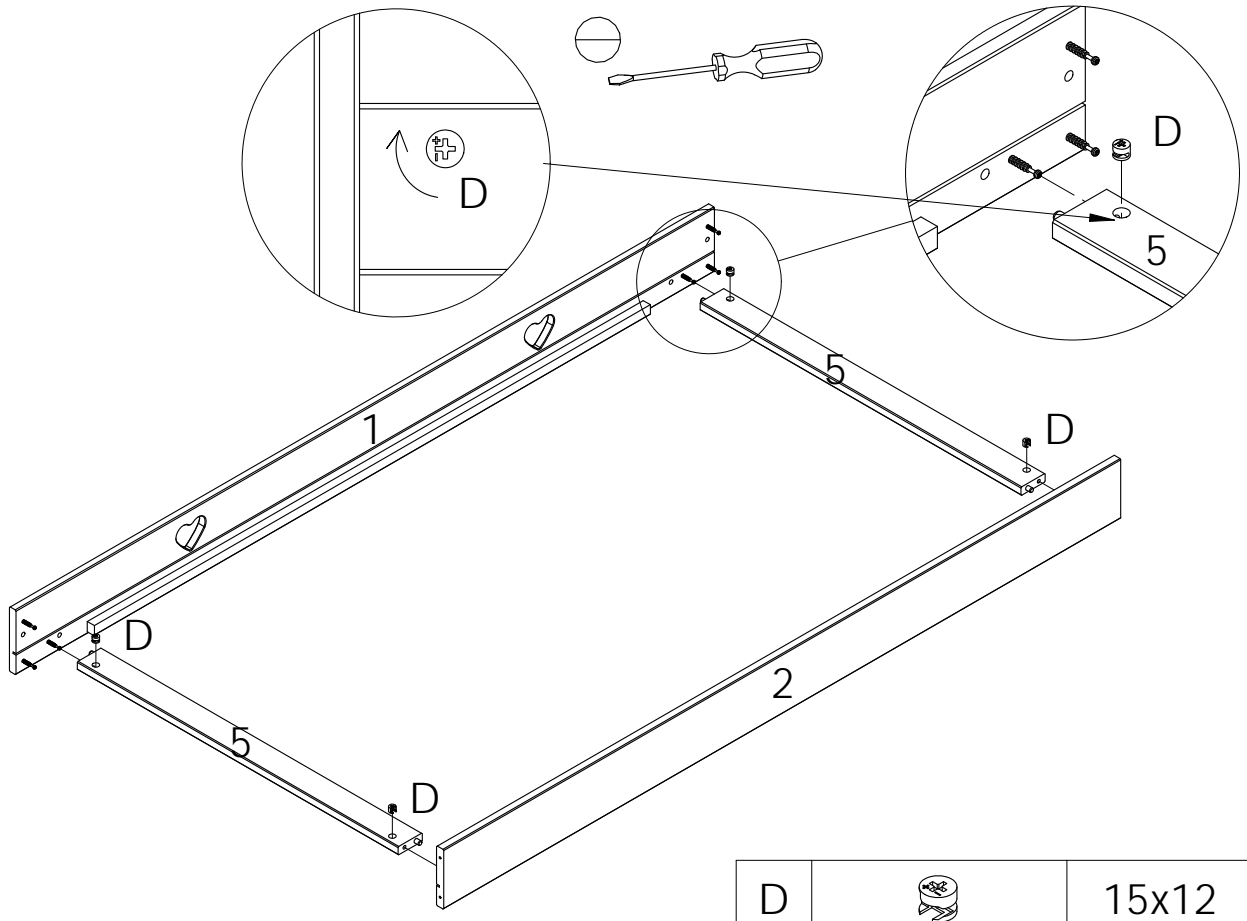
A		10x40	x6
---	---	-------	----


2



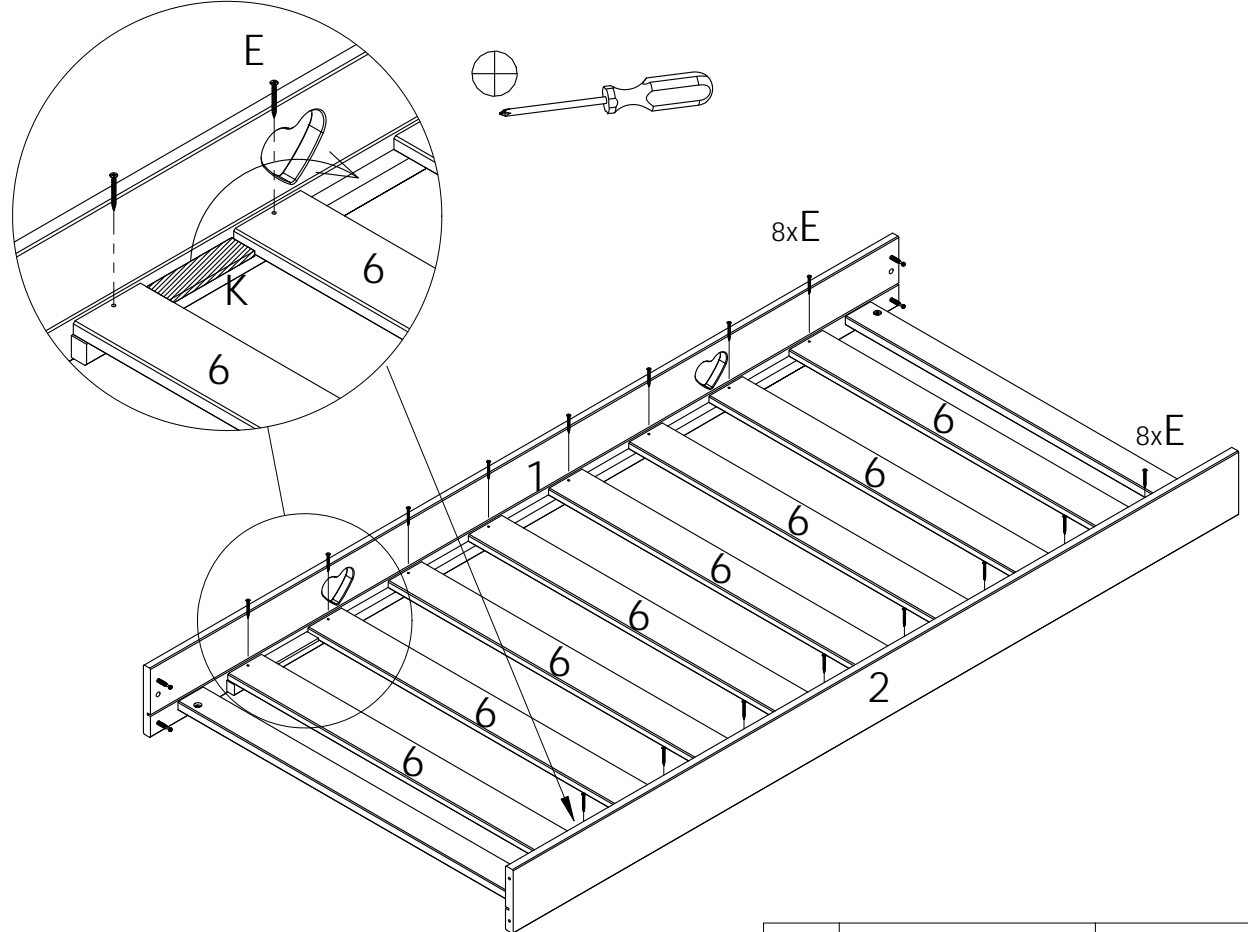
C		7x34	x8
---	---	------	----



3



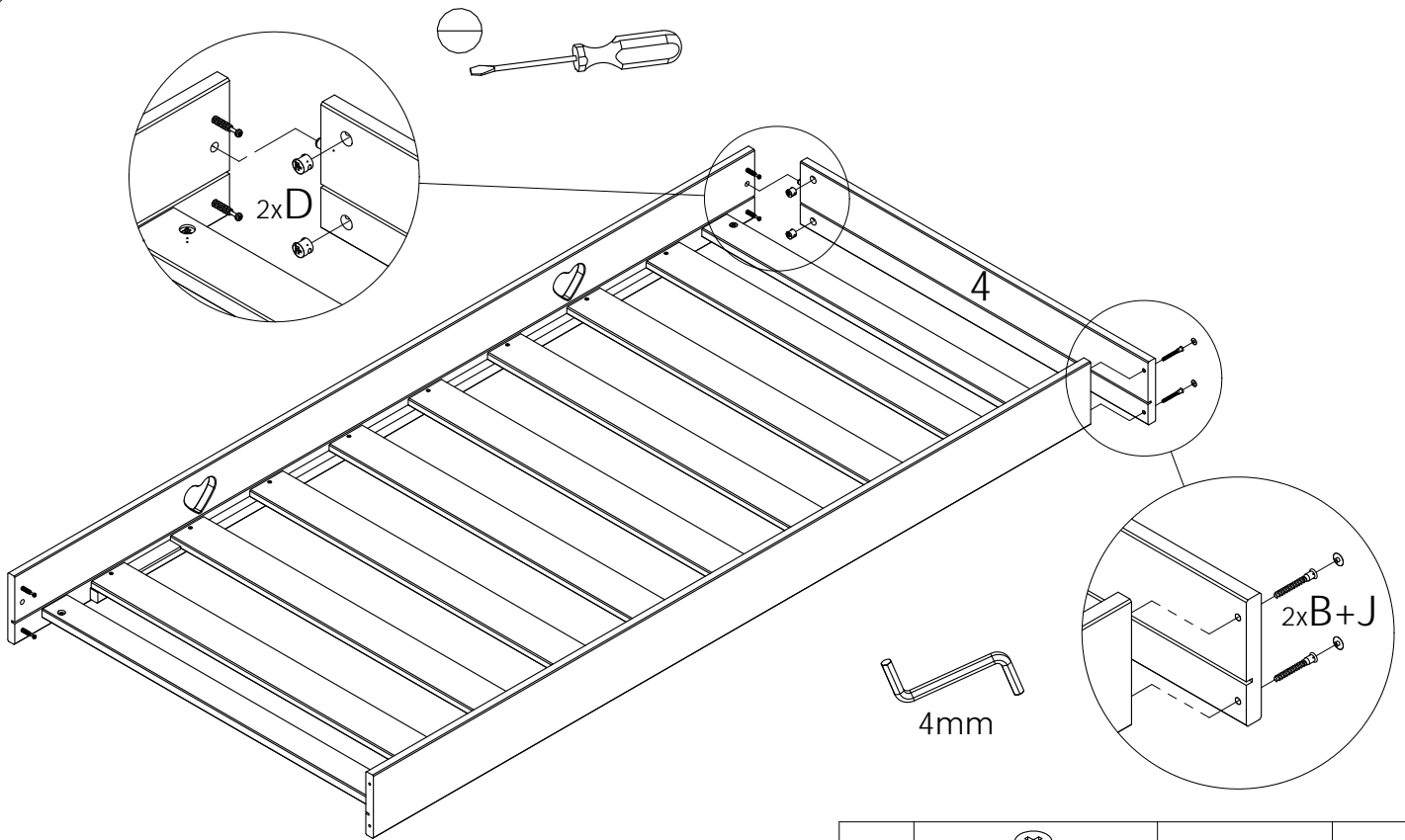
D		15x12	x4
---	--	-------	----




4



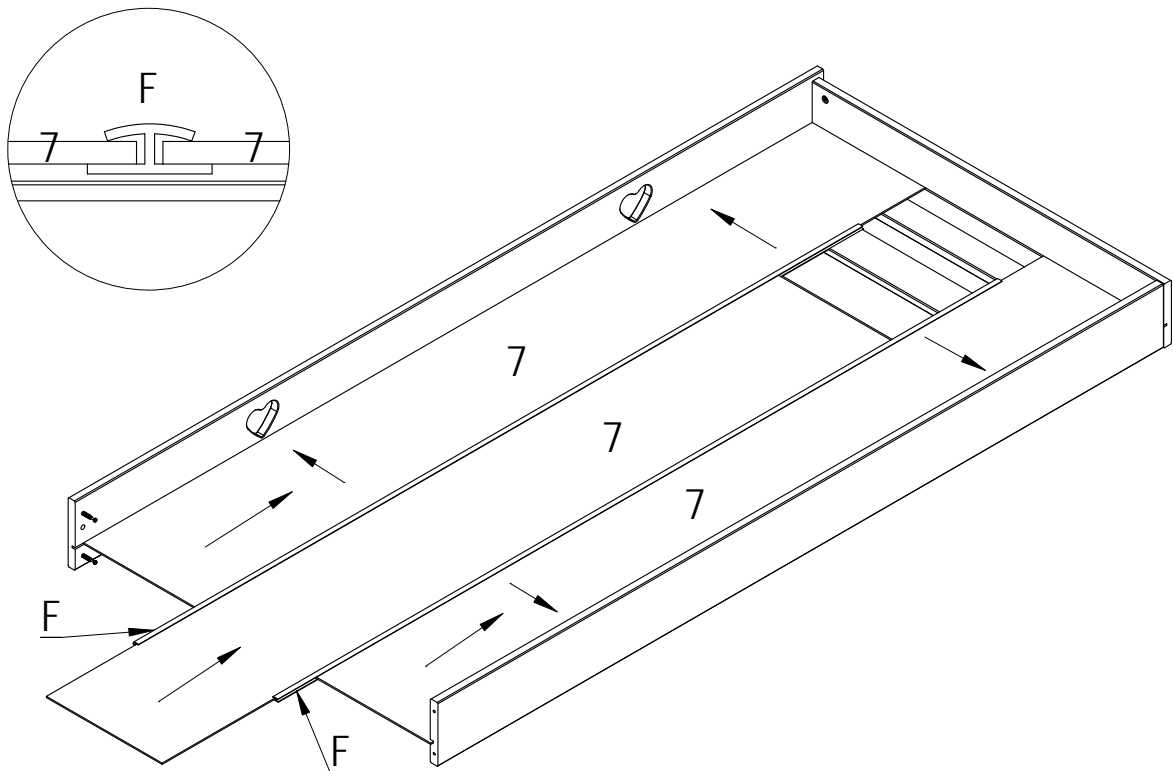
K		120x30x6	x2
E		3,5x40	x16

5



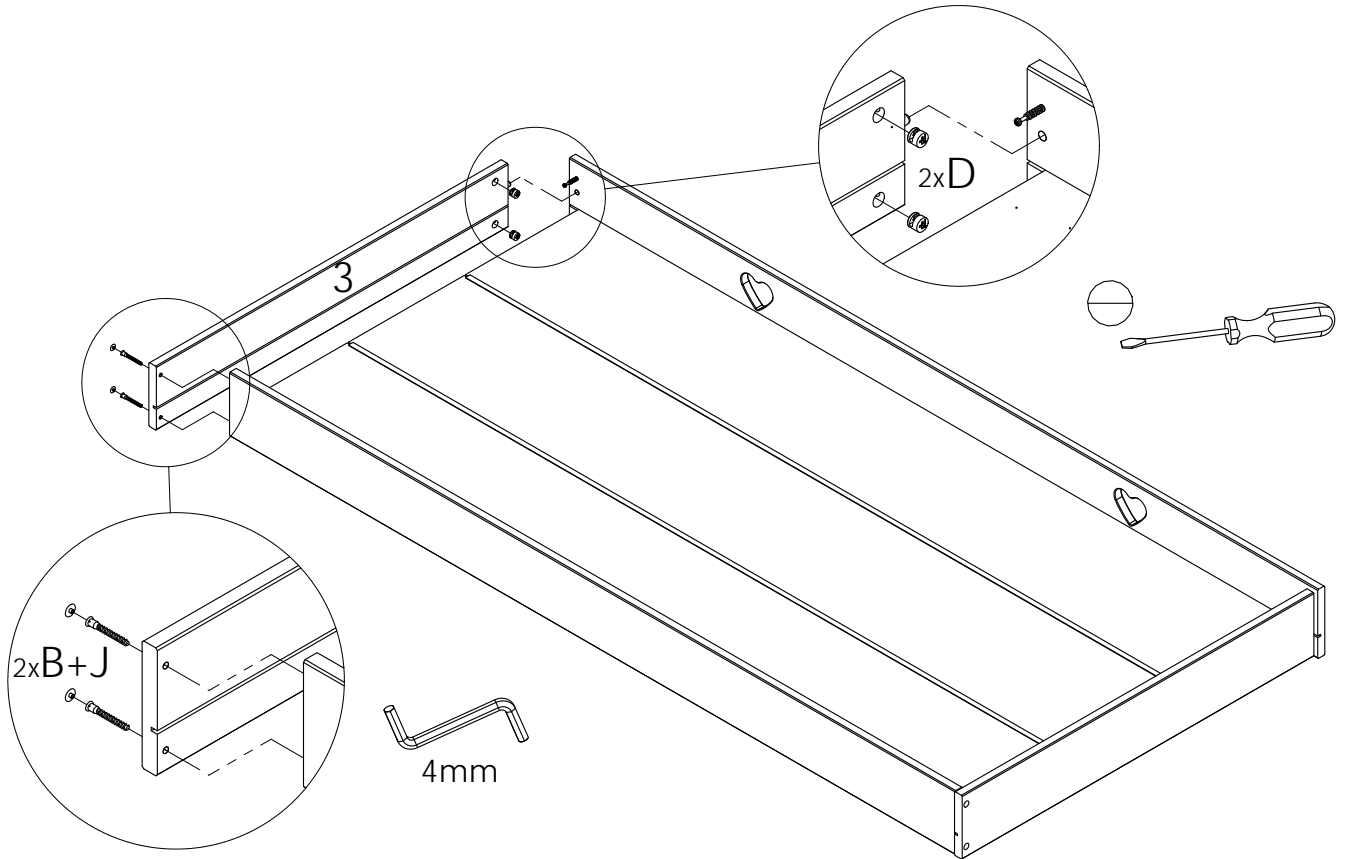
D		15x12	x2
B		7x50	x2
J		D4x13	x2




6



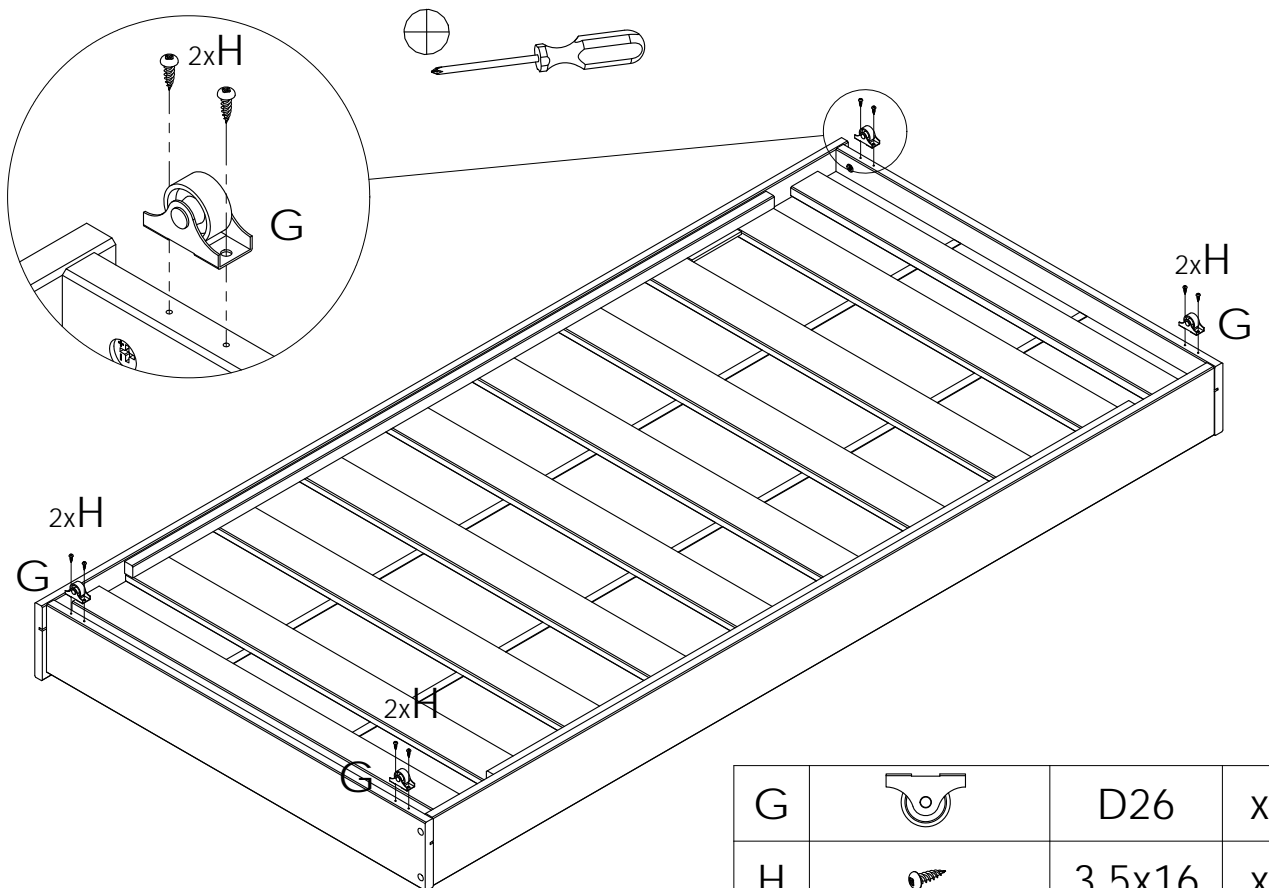
F		1897	x2
---	--	------	----



7



D		15x12	x2
B		7x50	x2
J		D4x13	x2

8



G		D26	x4
H		3,5x16	x8