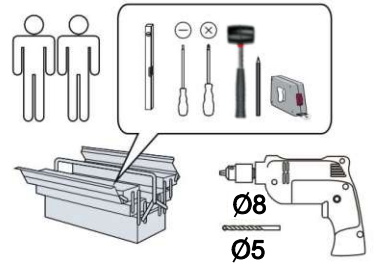




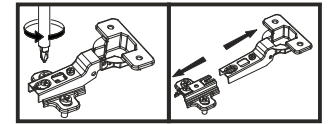
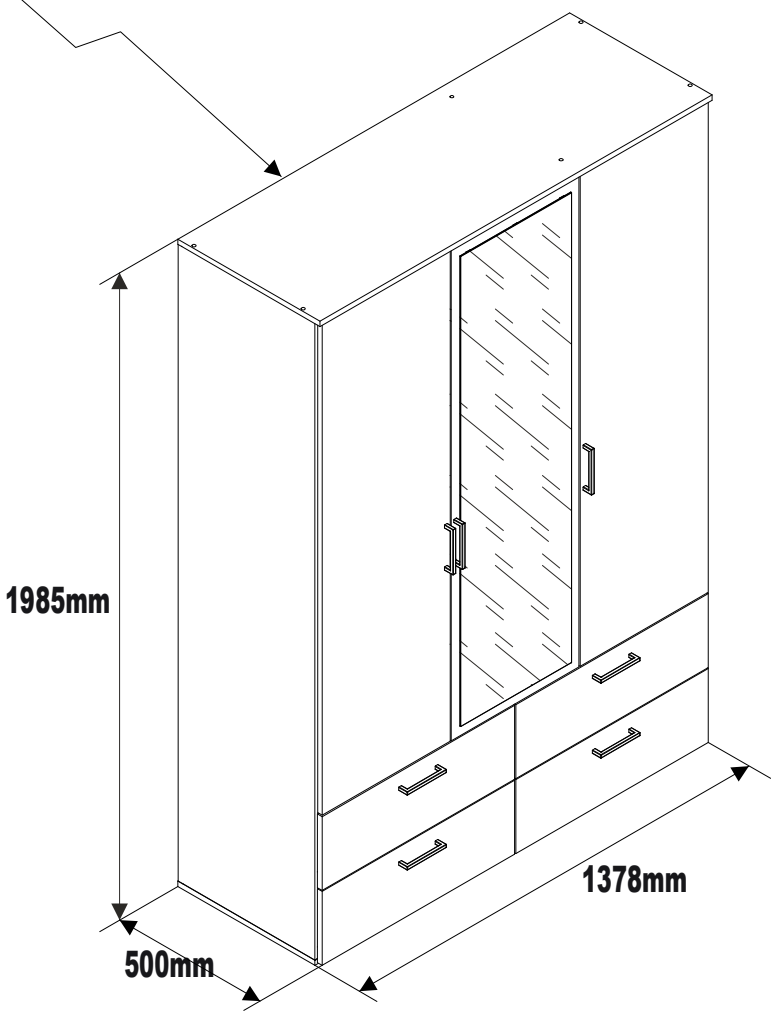
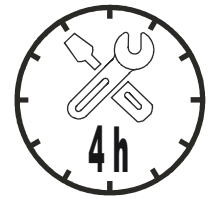
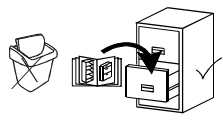
## MEBLE OKMED DEMKO

„MEBLE-OKMED” DEMKO - SPÓŁKA JAWNA  
ul. Kolejowa 13, 14-500 Braniewo, POLSKA

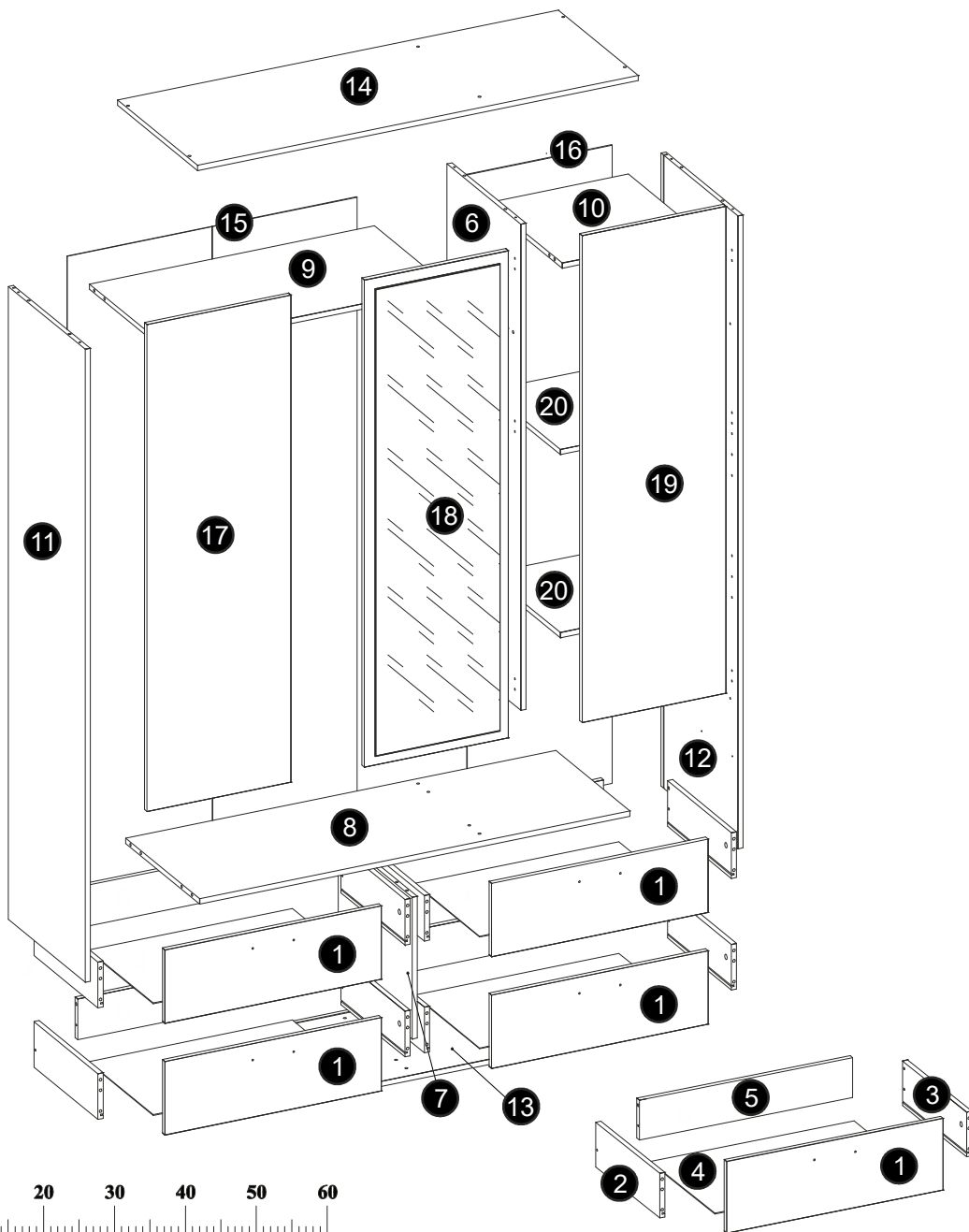


SPAZIO KLS 3-trg.+Spiegel  
58-178-17-3  
SERIE: ZP- .../....  
POL POWER Sp. z o. o  
PL 62-052 KOMORNIKI,  
UL. POZNAŃSKA 113A

SERIA: .../...



|  |  |  |  |  |  |
|--|--|--|--|--|--|
|  |  |  |  |  |  |
|  |  |  |  |  |  |
|  |  |  |  |  |  |



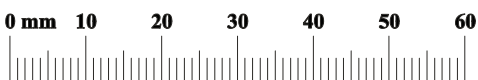
| 1/5 |     |     |    |    |
|-----|-----|-----|----|----|
|     | B   | H   | T  |    |
| 1   | 677 | 225 | 16 | x4 |
| 5   | 624 | 125 | 16 | x4 |
| 9   | 891 | 463 | 16 | x1 |
| 20  | 438 | 453 | 16 | x2 |

| 2/5 |      |     |    |    |
|-----|------|-----|----|----|
|     | B    | H   | T  |    |
| 2   | 140  | 400 | 16 | x4 |
| 3   | 140  | 400 | 16 | x4 |
| 4   | 638  | 405 | 3  | x4 |
| 13  | 1378 | 481 | 16 | x1 |
| 14  | 1378 | 500 | 16 | x1 |

| 3/5 |      |     |    |    |
|-----|------|-----|----|----|
|     | B    | H   | T  |    |
| 11  | 1939 | 481 | 16 | x1 |
| 12  | 1939 | 481 | 16 | x1 |
| 15  | 1955 | 906 | 3  | x1 |
| 16  | 1955 | 453 | 3  | x1 |

| 4/5 |      |     |    |    |
|-----|------|-----|----|----|
|     | B    | H   | T  |    |
| 6   | 1489 | 463 | 16 | x1 |
| 7   | 434  | 463 | 16 | x1 |
| 8   | 1345 | 463 | 16 | x1 |
| 10  | 438  | 463 | 16 | x1 |

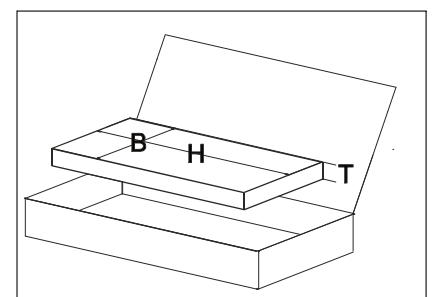
| 5/5 |      |     |    |    |
|-----|------|-----|----|----|
|     | B    | H   | T  |    |
| 17  | 1492 | 450 | 16 | x1 |
| 18  | 1492 | 450 | 16 | x1 |
| 19  | 1492 | 450 | 16 | x1 |



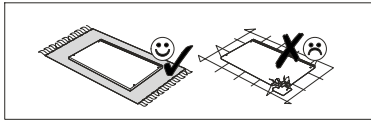
|        |        |        |        |         |        |         |
|--------|--------|--------|--------|---------|--------|---------|
|        |        |        |        |         |        |         |
| W6 5   | W4 18  | W1 56  | W11 41 | ZM1A 22 | TPP3 2 | ZM1B 18 |
|        |        |        |        |         |        |         |
| KRW1 2 | KT1 48 | KM1 8  | KD2 2  | K1 14   | ZP1 9  | KK1 1   |
|        |        |        |        |         |        |         |
| ZM1 16 | ZK 6   | WDS2 4 | SS3 5  | S1 22   | PL1 8  | UD1 2   |
|        |        |        |        |         |        |         |
| WU 14  | U80 7  | KS1 2  | ZW5 6  | PP 8    | OS1 14 |         |

|        |        |
|--------|--------|
|        |        |
| PQ5 x4 | PQ6 x4 |

|         |
|---------|
|         |
| DR886 1 |



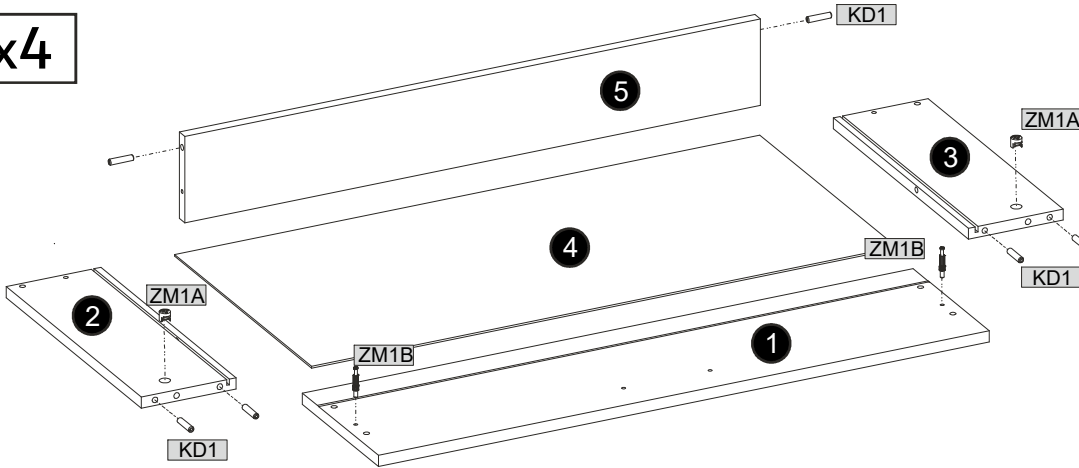
## 01



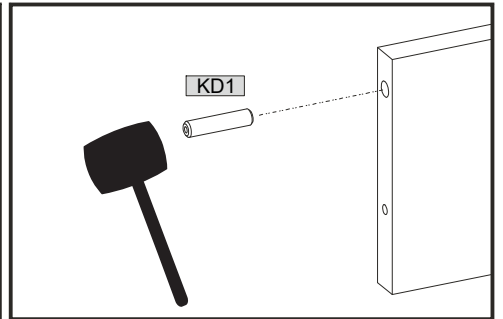
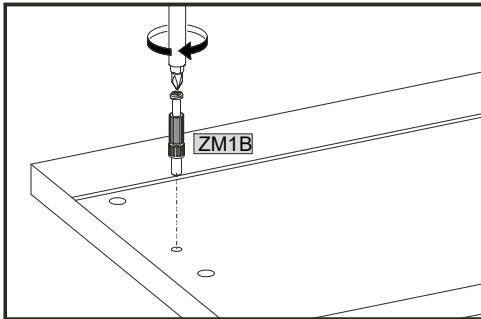
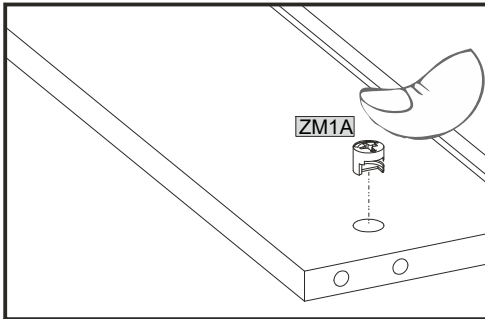
|      |   |      |   |      |   |
|------|---|------|---|------|---|
| 8x35 |   | 8x35 |   | ZM1A |   |
| KD1  | 6 | ZM1B | 2 | ZM1A | 2 |

|     |     |     |    |    |  |
|-----|-----|-----|----|----|--|
| 1/5 |     |     |    |    |  |
|     | B   | H   | T  |    |  |
| 1   | 677 | 225 | 16 | x4 |  |
| 5   | 624 | 125 | 16 | x4 |  |
| 9   | 891 | 463 | 16 | x1 |  |
| 20  | 438 | 453 | 16 | x2 |  |

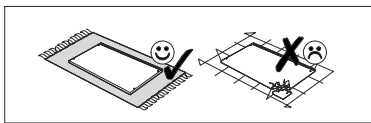
x4



|     |      |     |    |    |  |
|-----|------|-----|----|----|--|
| 2/5 |      |     |    |    |  |
|     | B    | H   | T  |    |  |
| 2   | 140  | 400 | 16 | x4 |  |
| 3   | 140  | 400 | 16 | x4 |  |
| 4   | 638  | 405 | 3  | x4 |  |
| 13  | 1378 | 481 | 16 | x1 |  |
| 14  | 1378 | 500 | 16 | x1 |  |

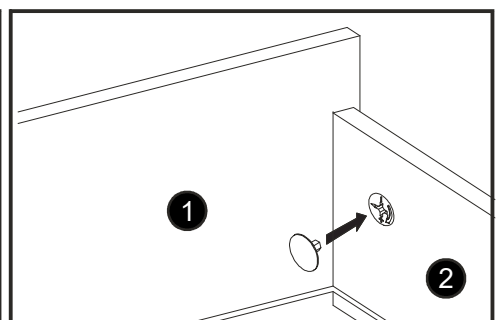
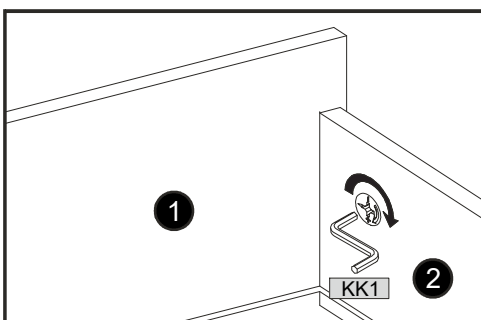
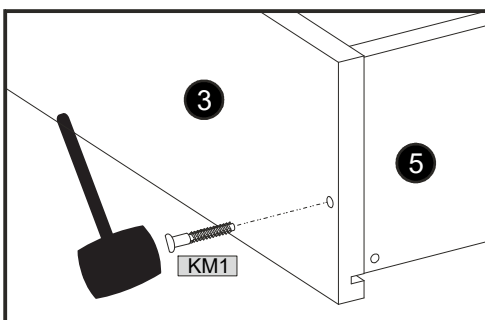
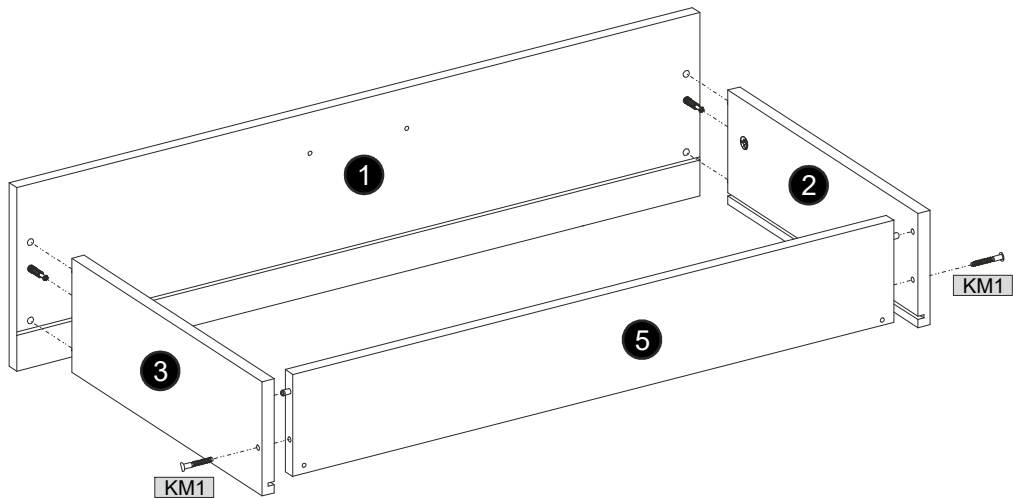


## 02

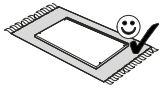



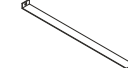

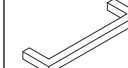



|      |   |      |   |     |   |
|------|---|------|---|-----|---|
| 5x42 |   | 5x42 |   | ZM1 |   |
| KM1  | 2 | KK1  | 1 | ZM1 | 2 |

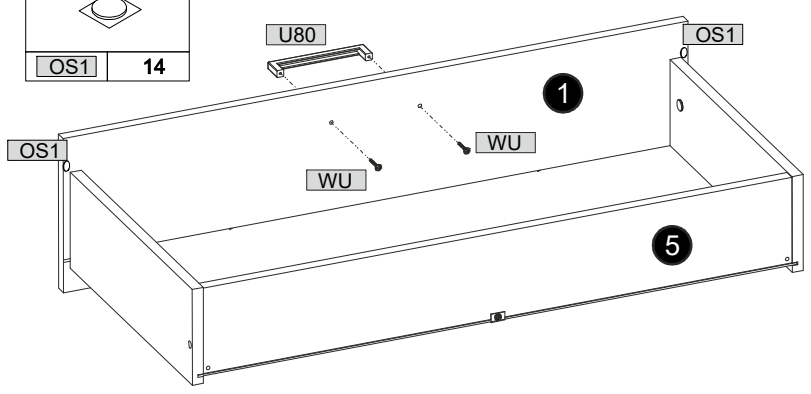
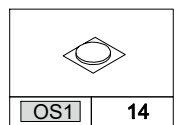
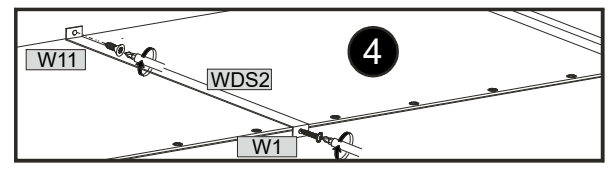
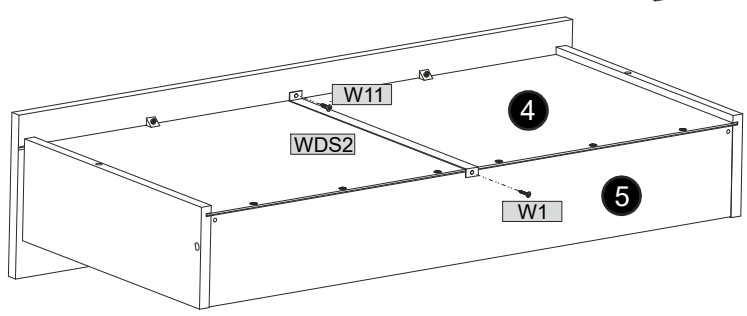
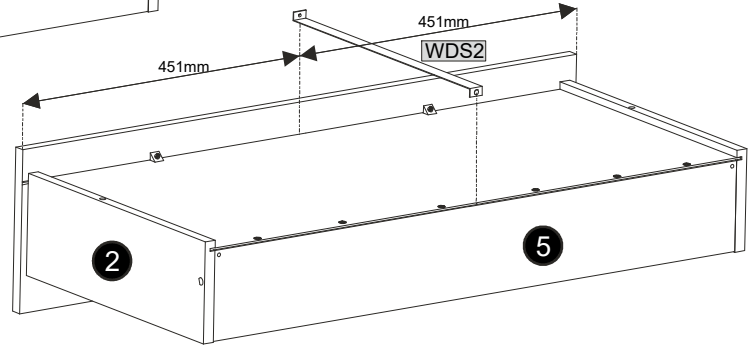
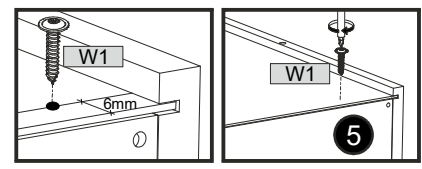
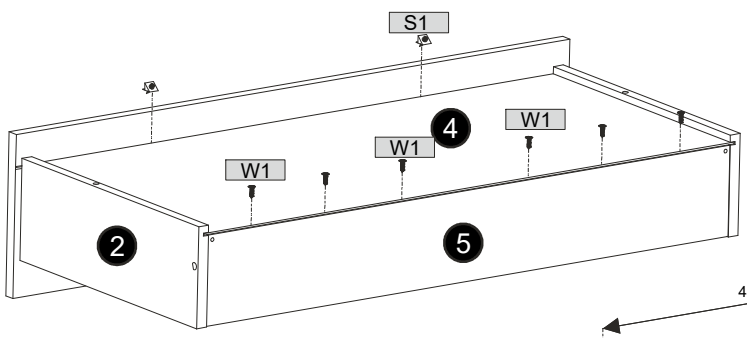
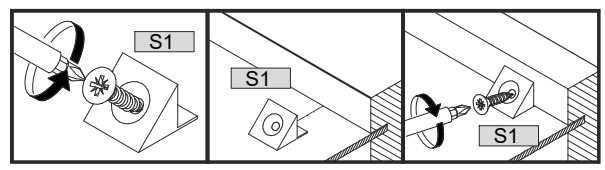
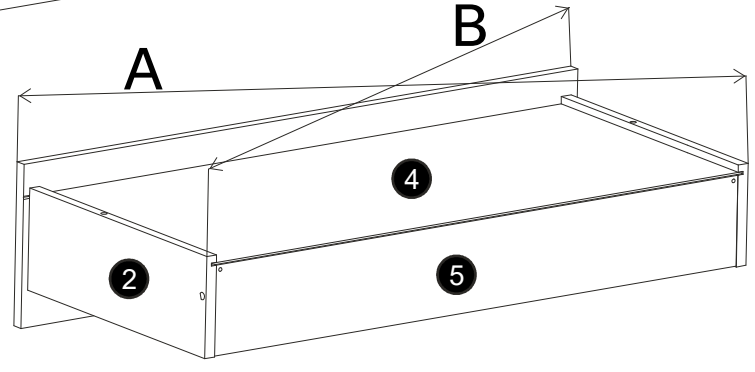
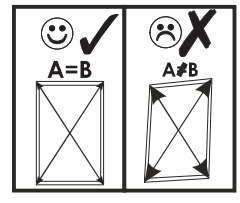
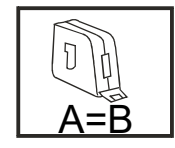
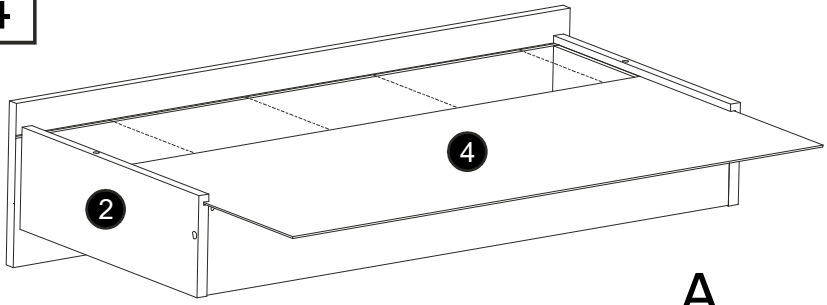
x4



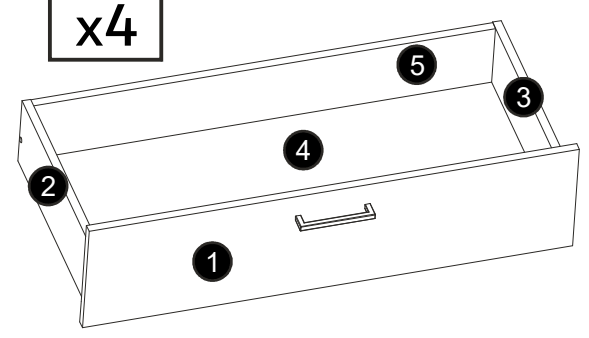
03

|   |   |   |   |  |   |   |   |    |   |
|---|---|---|---|--|---|---|---|----|---|
|  |  |  |  |  |  |  |  |    |   |
|   |   | 3x16  |   |  | 3.5x16  |   | 4x30  |    |   |
| W1  | 7   | S1  | 2   | WDS2   | 1   | U80   | 1   | WU | 2 |

x4

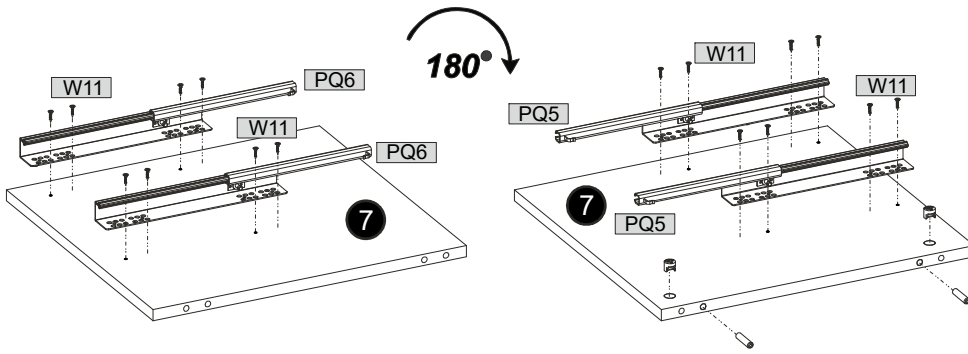


x4

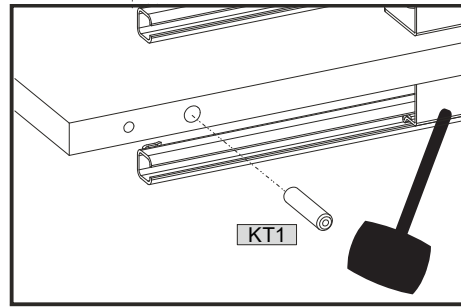
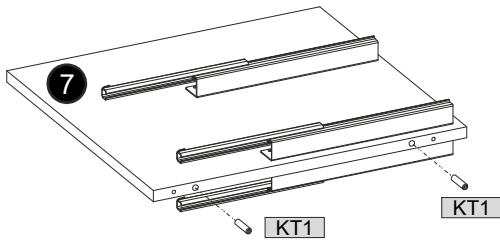
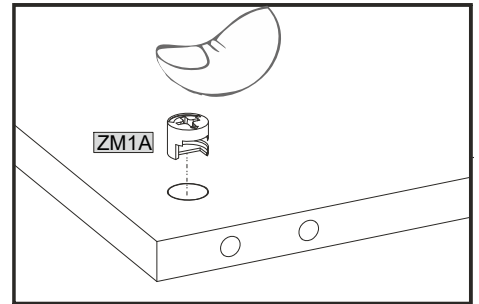
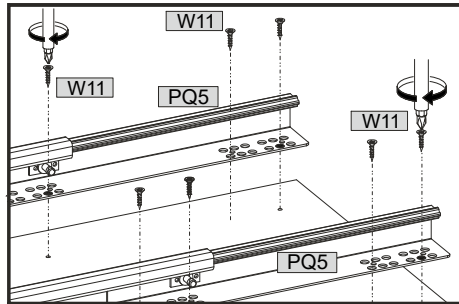
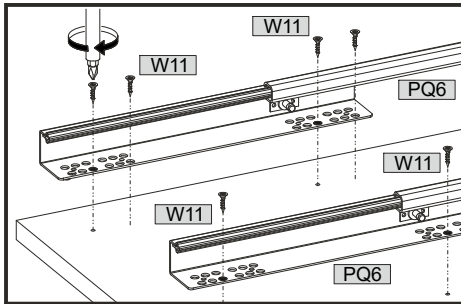


## 04

|     |    |     |    |     |    |      |   |     |   |
|-----|----|-----|----|-----|----|------|---|-----|---|
|     |    |     |    |     |    |      |   |     |   |
| PQ5 | x2 | PQ6 | x2 | W11 | 16 | ZM1A | 2 | KT1 | 4 |



| 4/5 |      |     |    |    |
|-----|------|-----|----|----|
|     | B    | H   | T  |    |
| 6   | 1489 | 463 | 16 | x1 |
| 7   | 434  | 463 | 16 | x1 |
| 8   | 1345 | 463 | 16 | x1 |
| 10  | 438  | 463 | 16 | x1 |

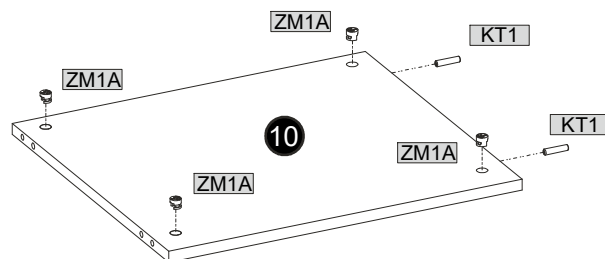
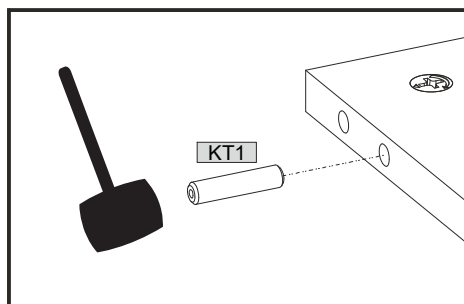
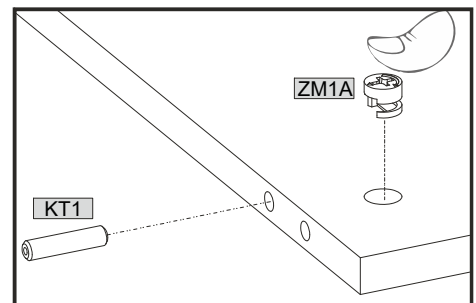
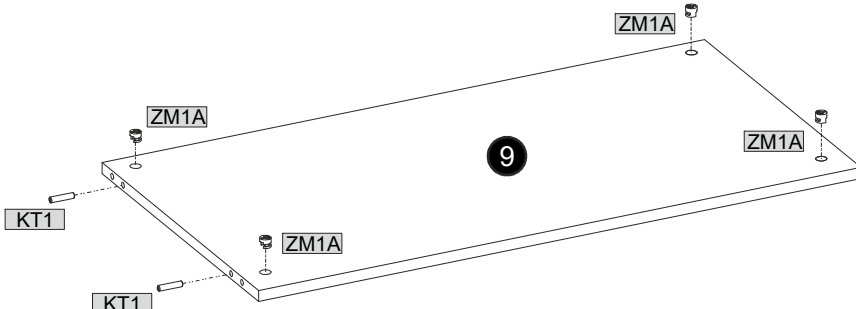


## 05

|      |   |     |   |
|------|---|-----|---|
|      |   |     |   |
| ZM1A | 8 | KT1 | 4 |

| 1/5 |     |     |    |    |
|-----|-----|-----|----|----|
|     | B   | H   | T  |    |
| 9   | 891 | 463 | 16 | x1 |

| 4/5 |     |     |    |    |
|-----|-----|-----|----|----|
|     | B   | H   | T  |    |
| 10  | 438 | 463 | 16 | x1 |

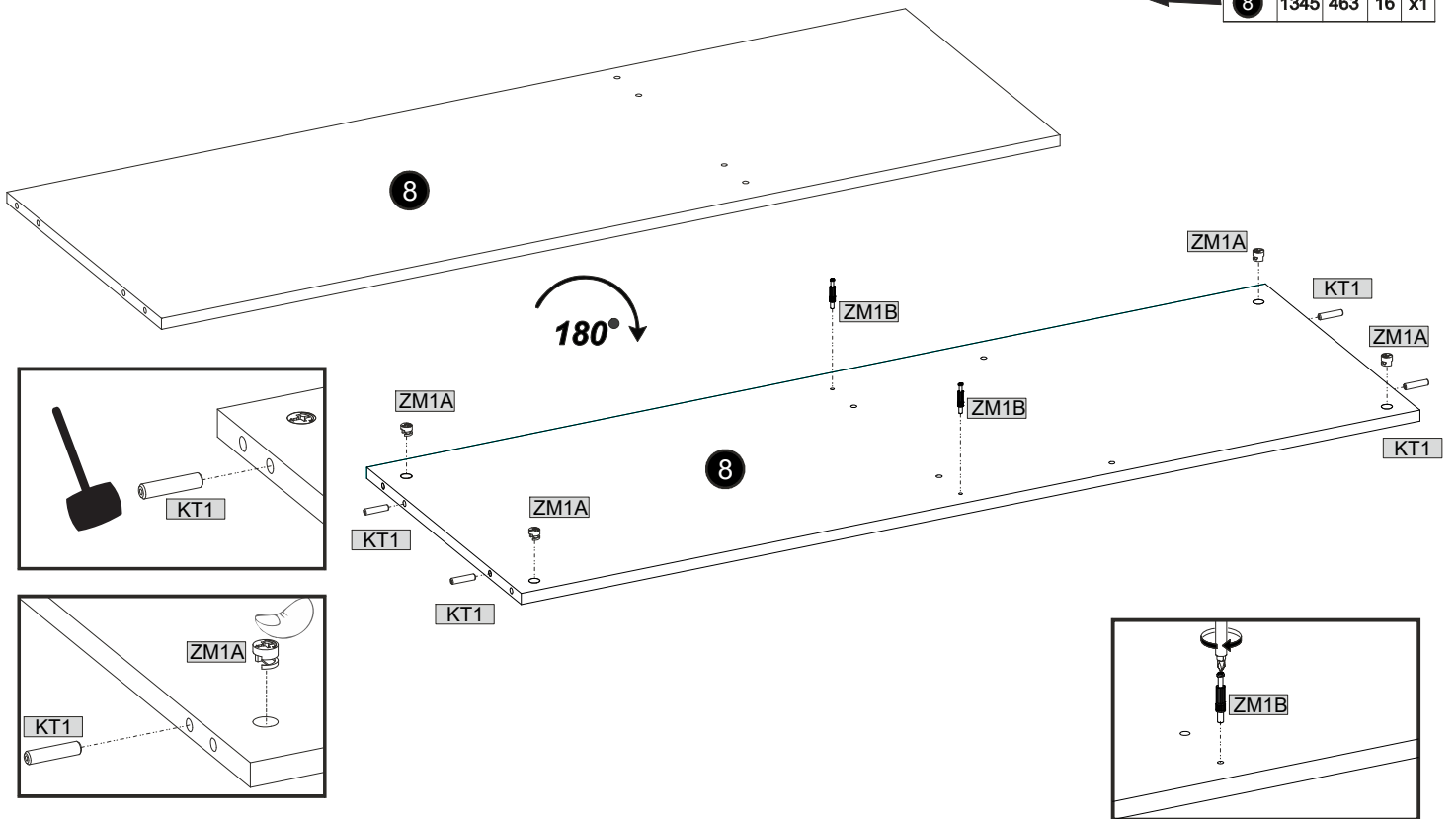


## 06

|      |   |     |      |      |
|------|---|-----|------|------|
|      |   |     |      |      |
| ZM1A | 4 | KT1 | 4    | ZM1B |
|      |   |     | 8x35 |      |
|      |   |     |      | 2    |



|     |      |     |    |    |
|-----|------|-----|----|----|
| 4/5 |      |     |    |    |
| B   | H    | T   |    |    |
| 8   | 1345 | 463 | 16 | x1 |

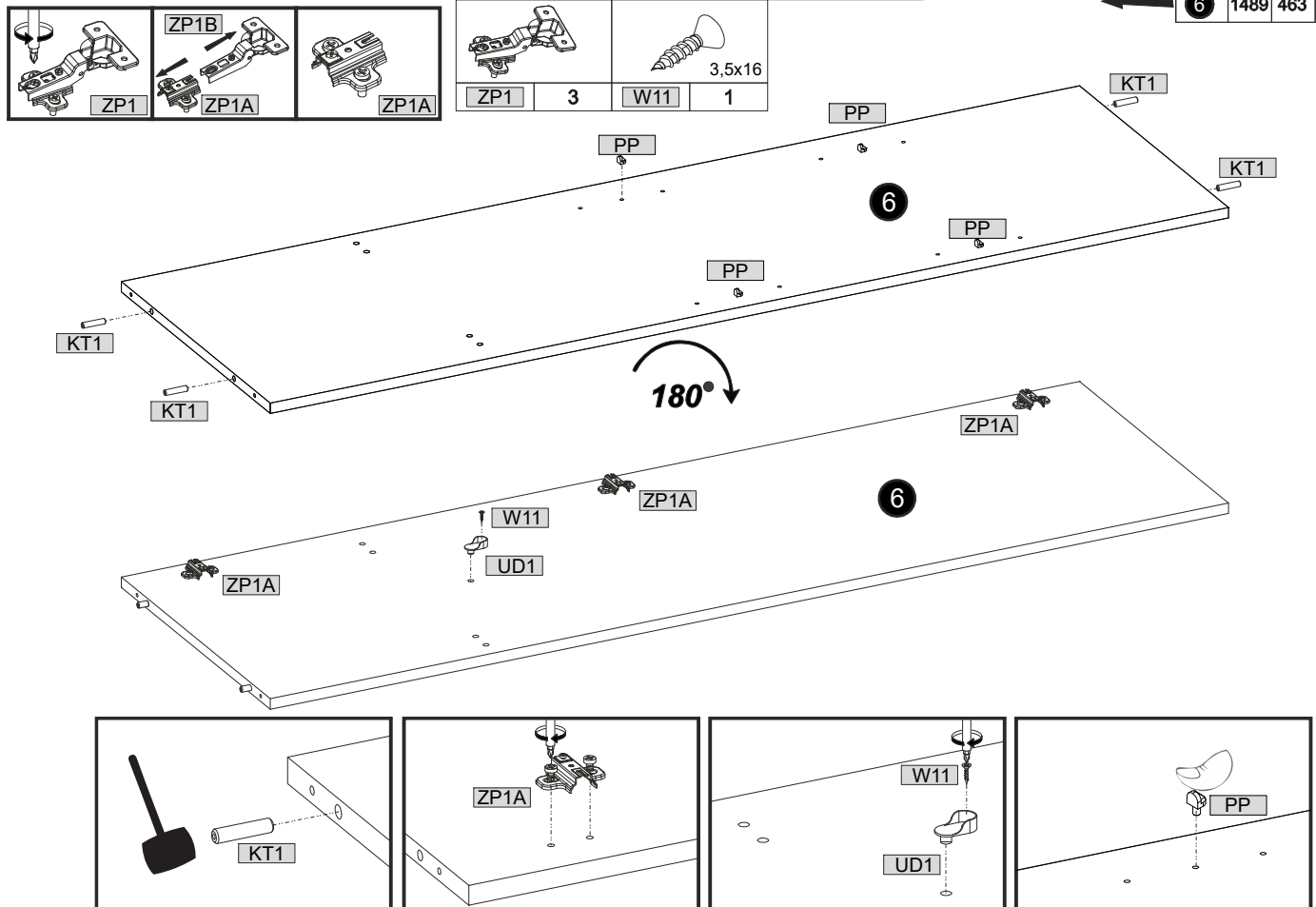


## 07

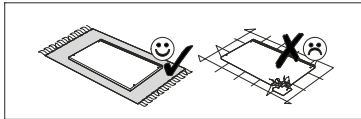
|    |   |     |      |     |
|----|---|-----|------|-----|
|    |   |     |      |     |
| PP | 4 | KT1 | 4    | UD1 |
|    |   |     | 8x35 |     |
|    |   |     |      | 1   |



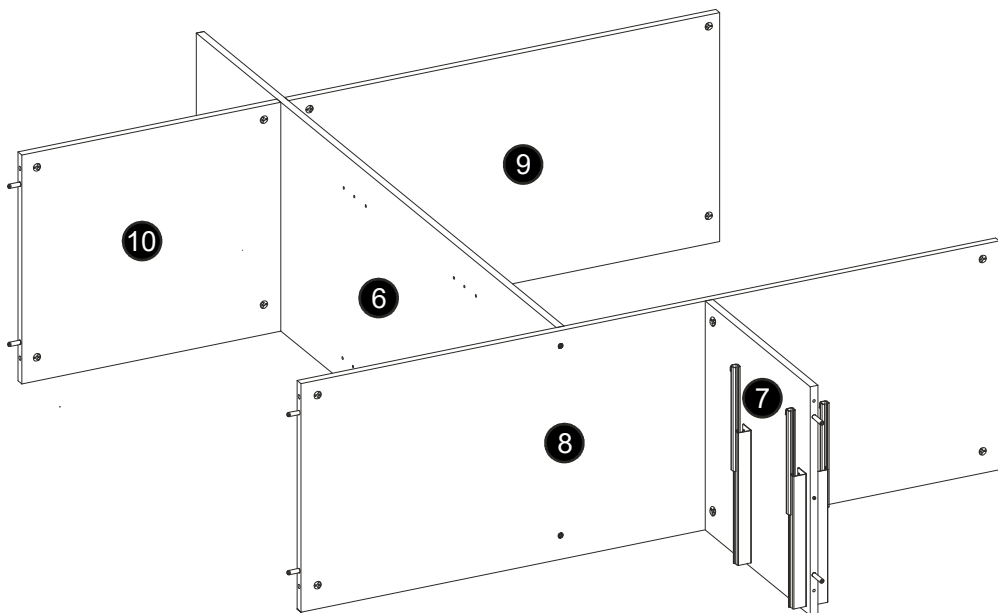
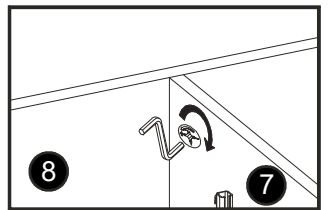
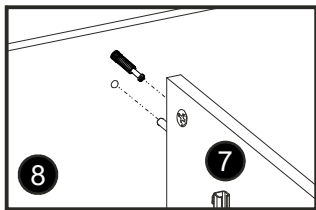
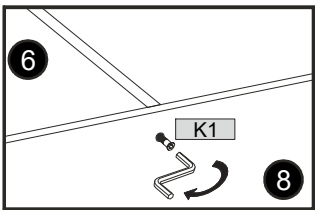
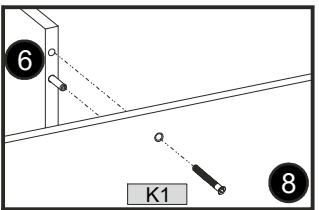
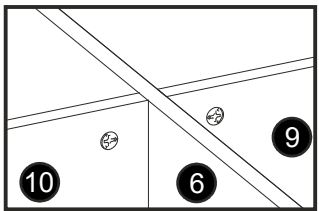
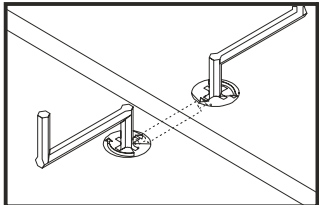
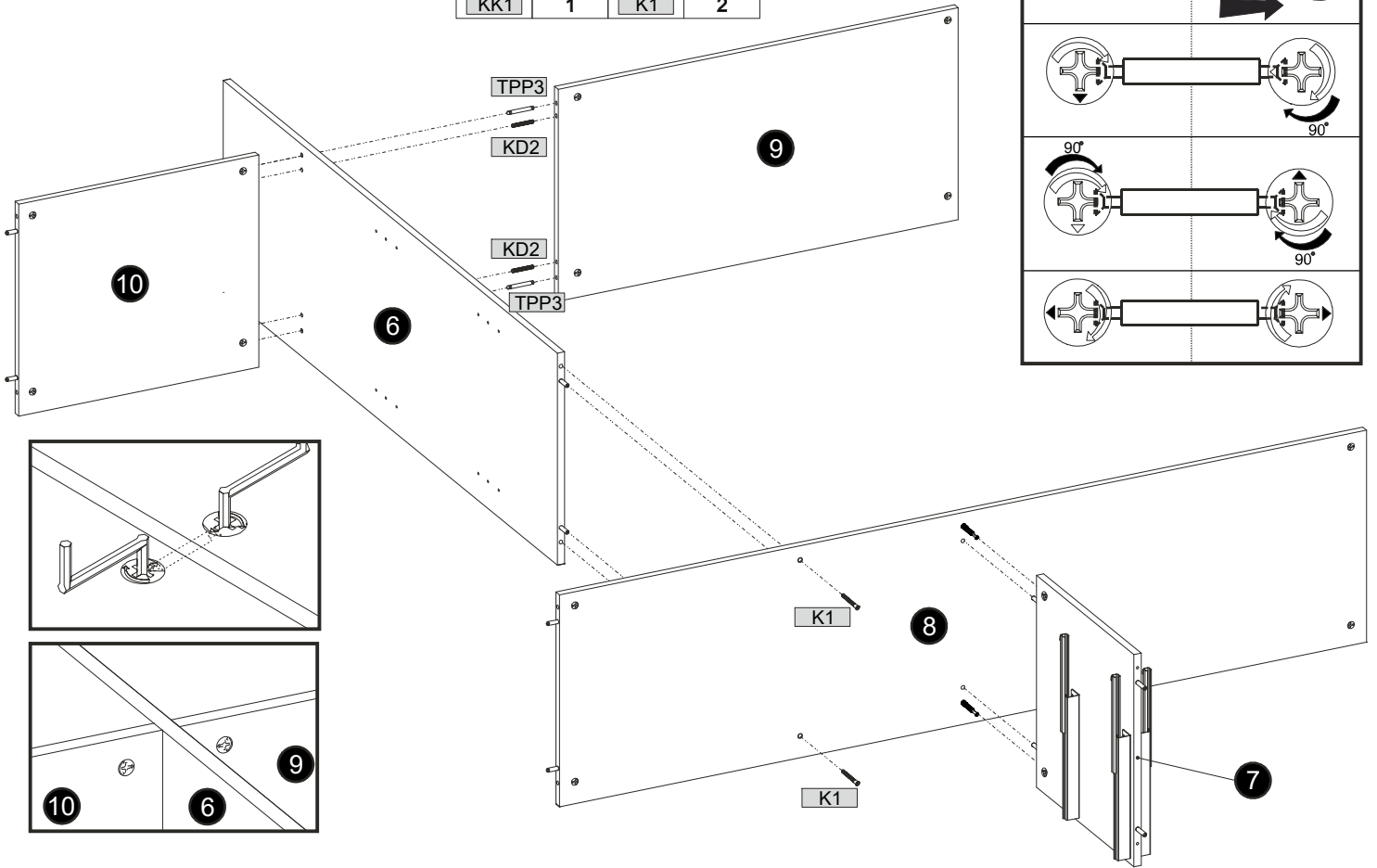
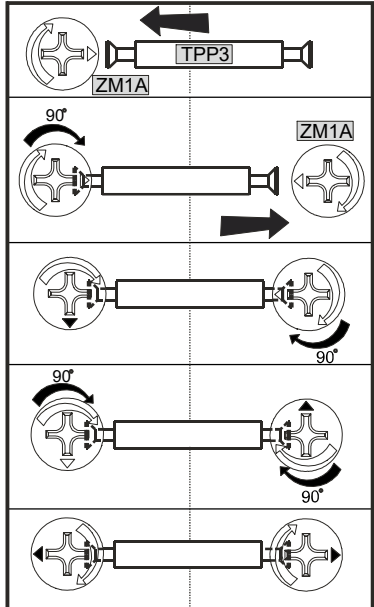
|     |      |     |    |    |
|-----|------|-----|----|----|
| 4/5 |      |     |    |    |
| B   | H    | T   |    |    |
| 6   | 1489 | 463 | 16 | x1 |



08



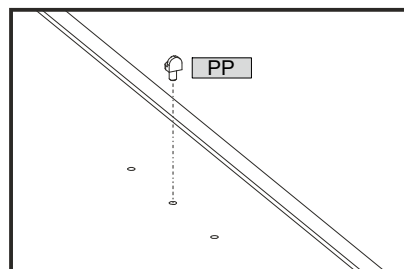
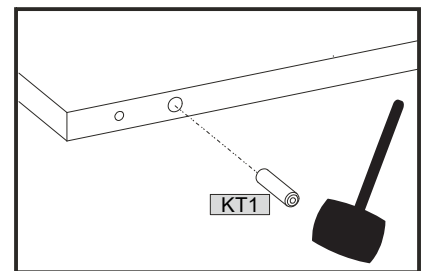
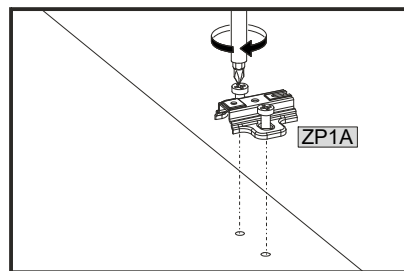
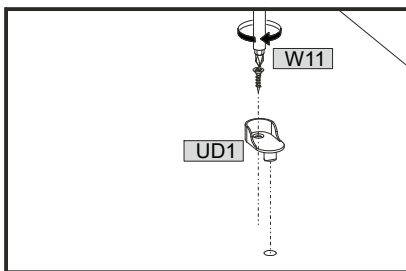
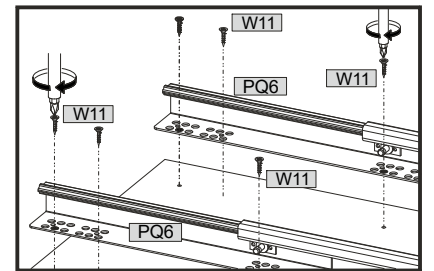
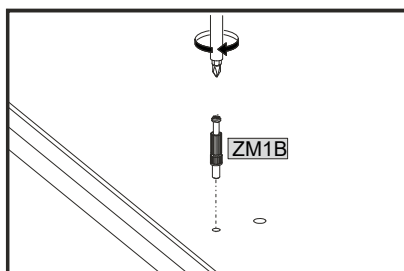
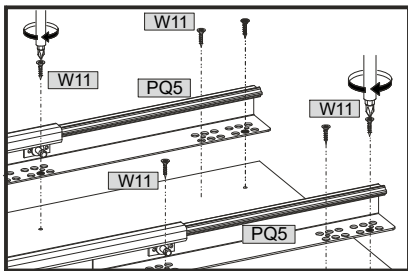
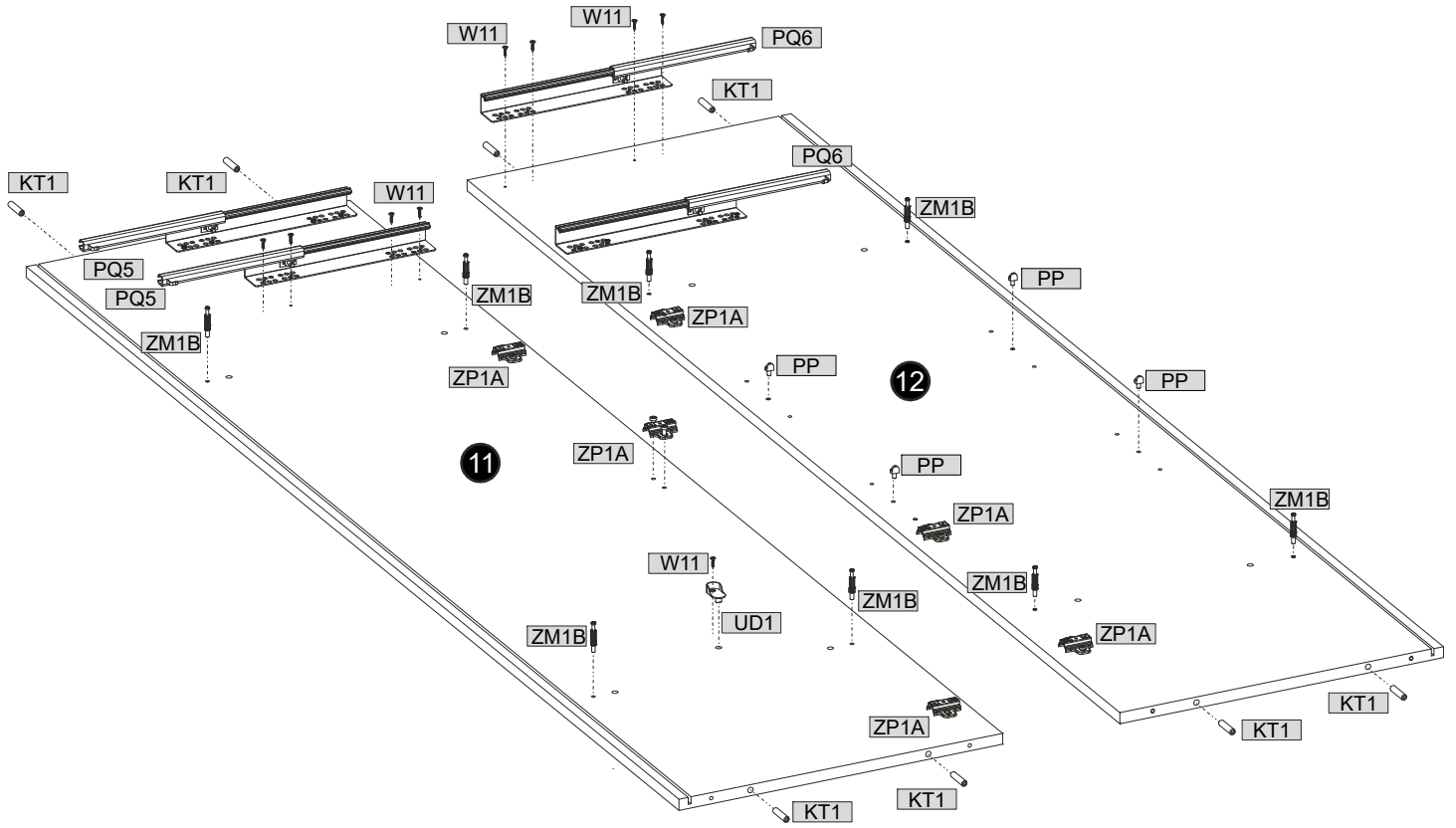
|            |        |             |      |
|------------|--------|-------------|------|
|            | 7,8x60 |             | L=86 |
| <b>KD2</b> | 2      | <b>TPP3</b> | 2    |
|            |        |             |      |
| <b>KK1</b> | 1      | <b>K1</b>   | 2    |



## 09

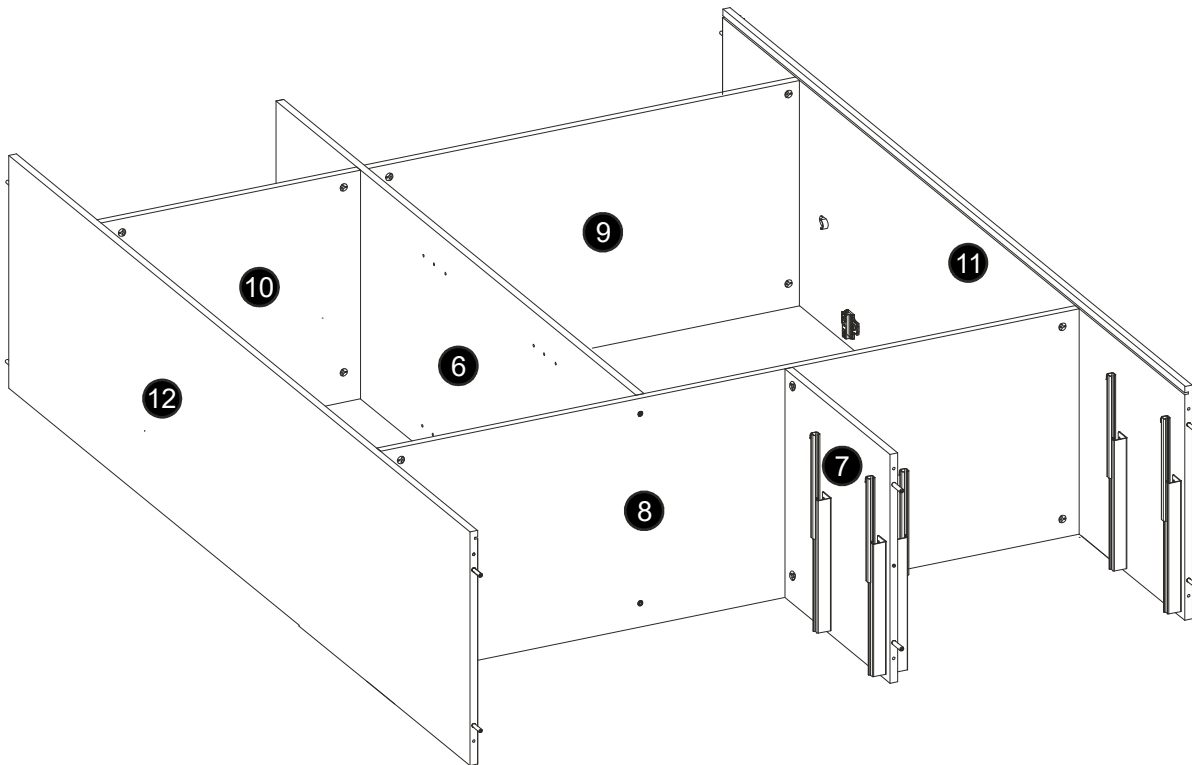
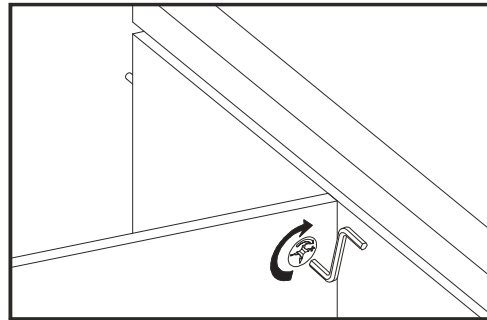
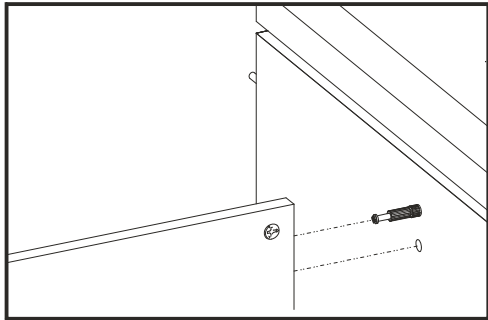
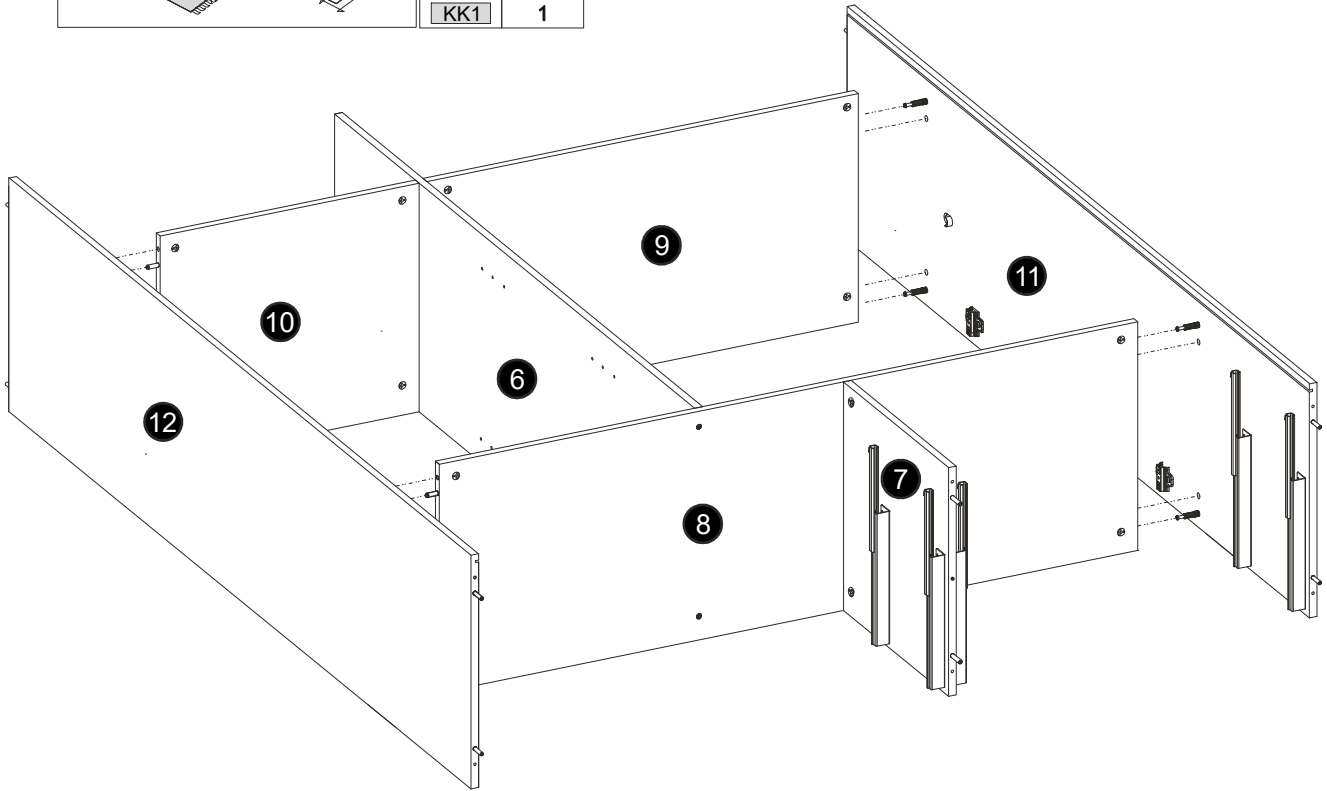
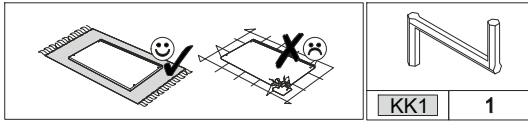
|     |       |       |        |      |
|-----|-------|-------|--------|------|
|     |       |       |        |      |
|     | L-400 | L-400 | 3,5x16 |      |
|     |       |       |        |      |
| ZP1 | ZP1B  | ZP1A  | ZP1    | ZP1A |
|     |       |       |        |      |
| ZP1 | ZM1B  | KT1   | KT1    | UD1  |
| 6   | 8     | 8     | 8      | 1    |

|  |            |      |     |       |
|--|------------|------|-----|-------|
|  |            | 1/5  |     |       |
|  | <b>3/5</b> |      |     |       |
|  | B          | H    | T   |       |
|  | <b>11</b>  | 1939 | 481 | 16 x1 |
|  | <b>12</b>  | 1939 | 481 | 16 x1 |





10



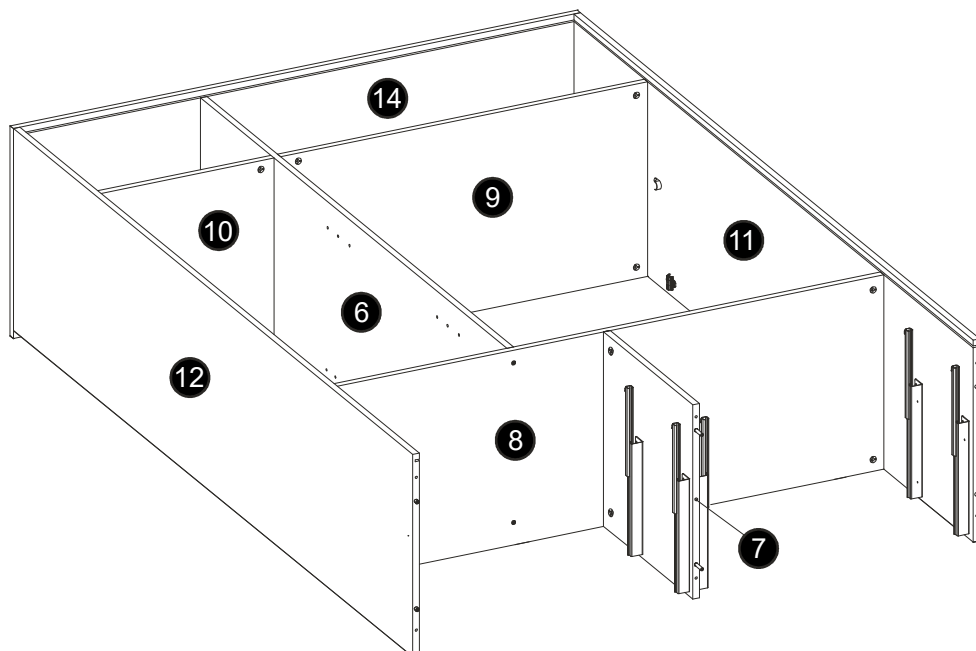
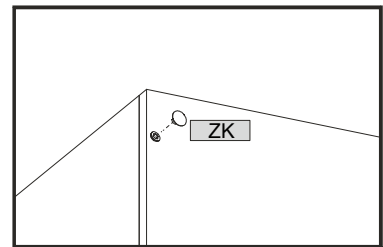
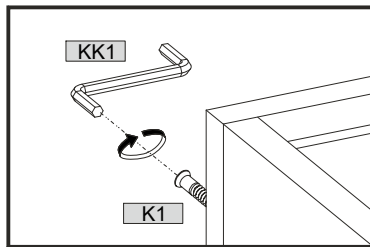
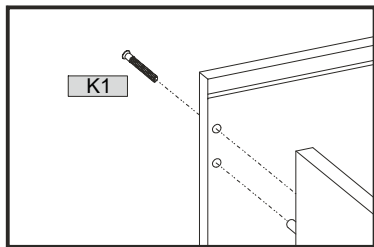
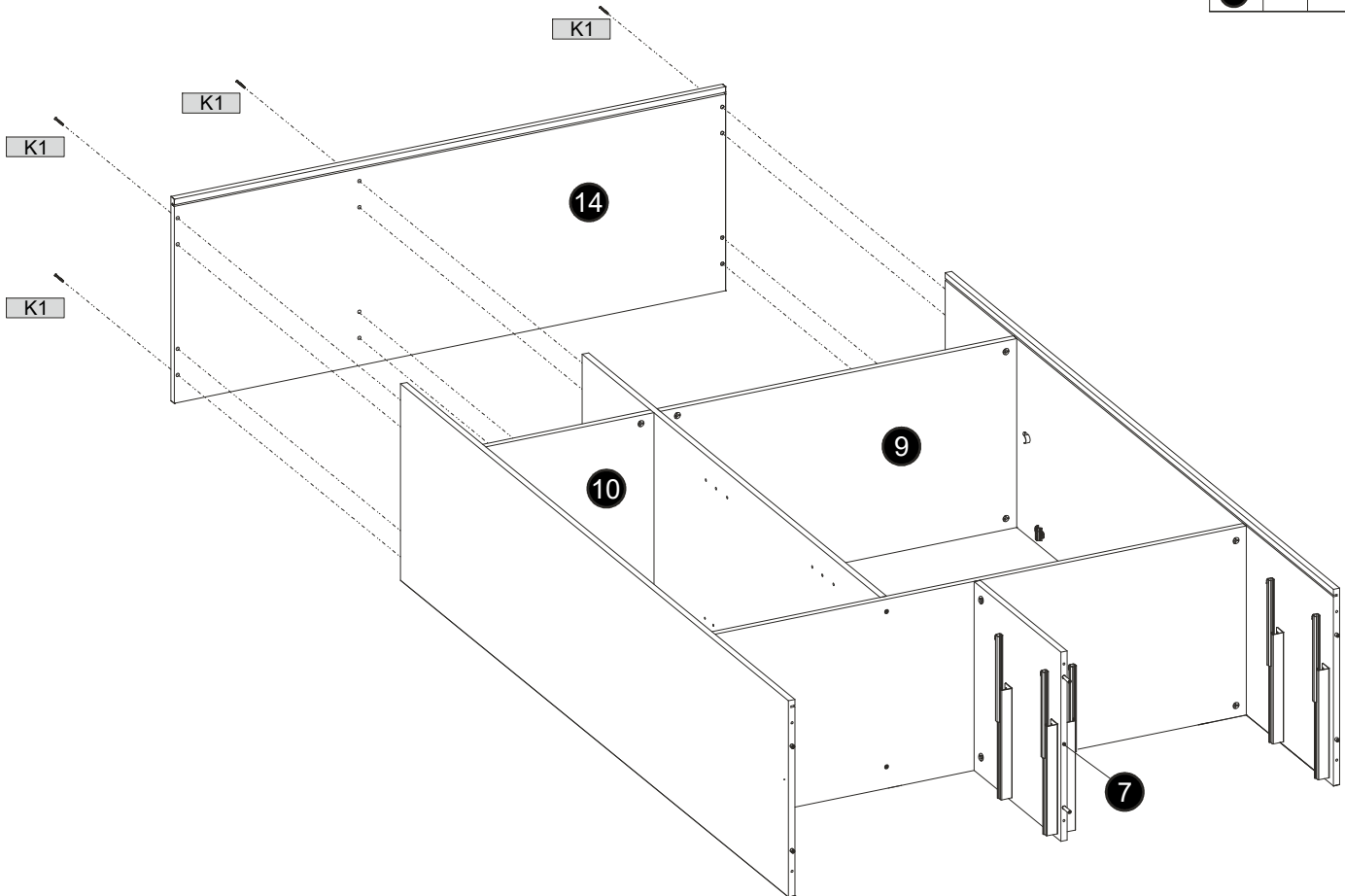
## 11

|    |      |     |   |
|----|------|-----|---|
|    |      |     |   |
|    | 7x50 |     |   |
| K1 | 6    | KK1 | 1 |
|    |      | ZK  | 6 |

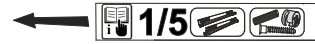
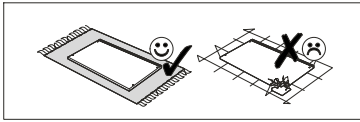
← 1/5

|            |      |     |       |
|------------|------|-----|-------|
| <b>2/5</b> |      |     |       |
|            | B    | H   | T     |
| 14         | 1378 | 500 | 16 x1 |

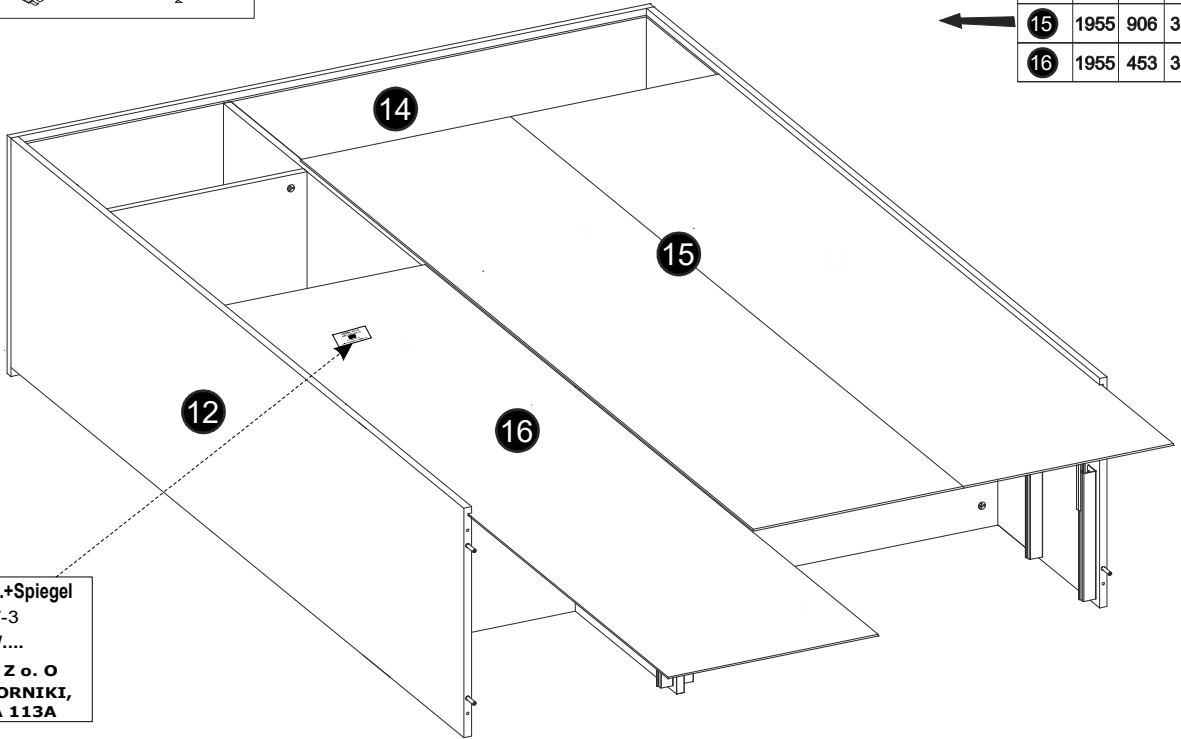
←



## 12

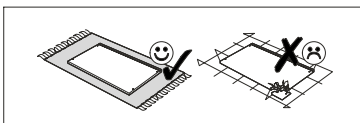


| 3/5 |      |     |   |    |
|-----|------|-----|---|----|
|     | B    | H   | T |    |
| 15  | 1955 | 906 | 3 | x1 |
| 16  | 1955 | 453 | 3 | x1 |

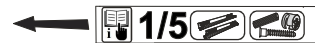


**SPAZIO KLS 3-trg.+Spiegel**  
 58-178-17-3  
 SERIE: ZP- .../....  
**POL POWER Sp. Z o. O**  
 PL 62-052 KOMORNIKI,  
 UL. POZNAŃSKA 113A

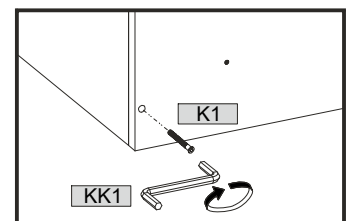
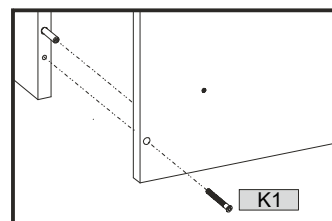
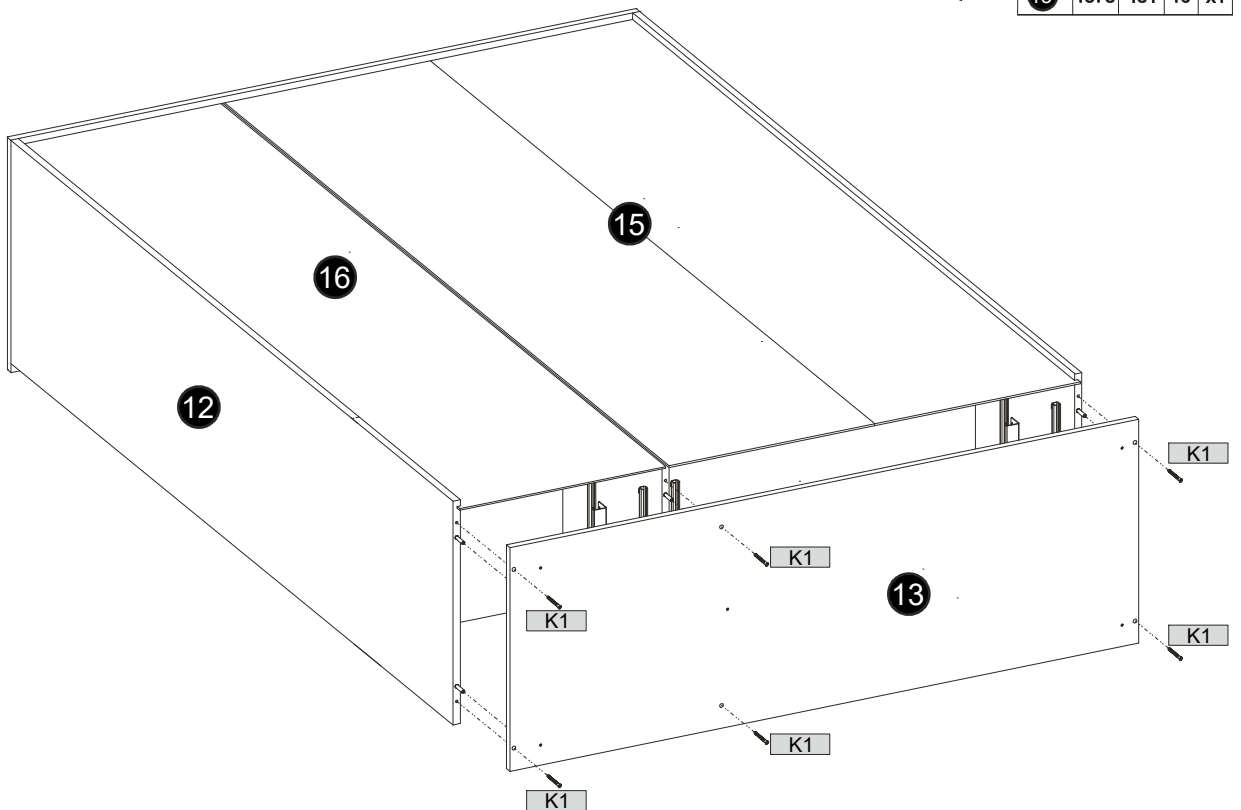
## 13



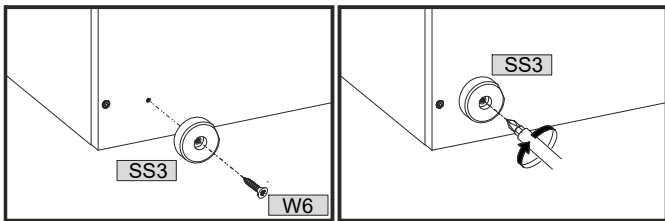
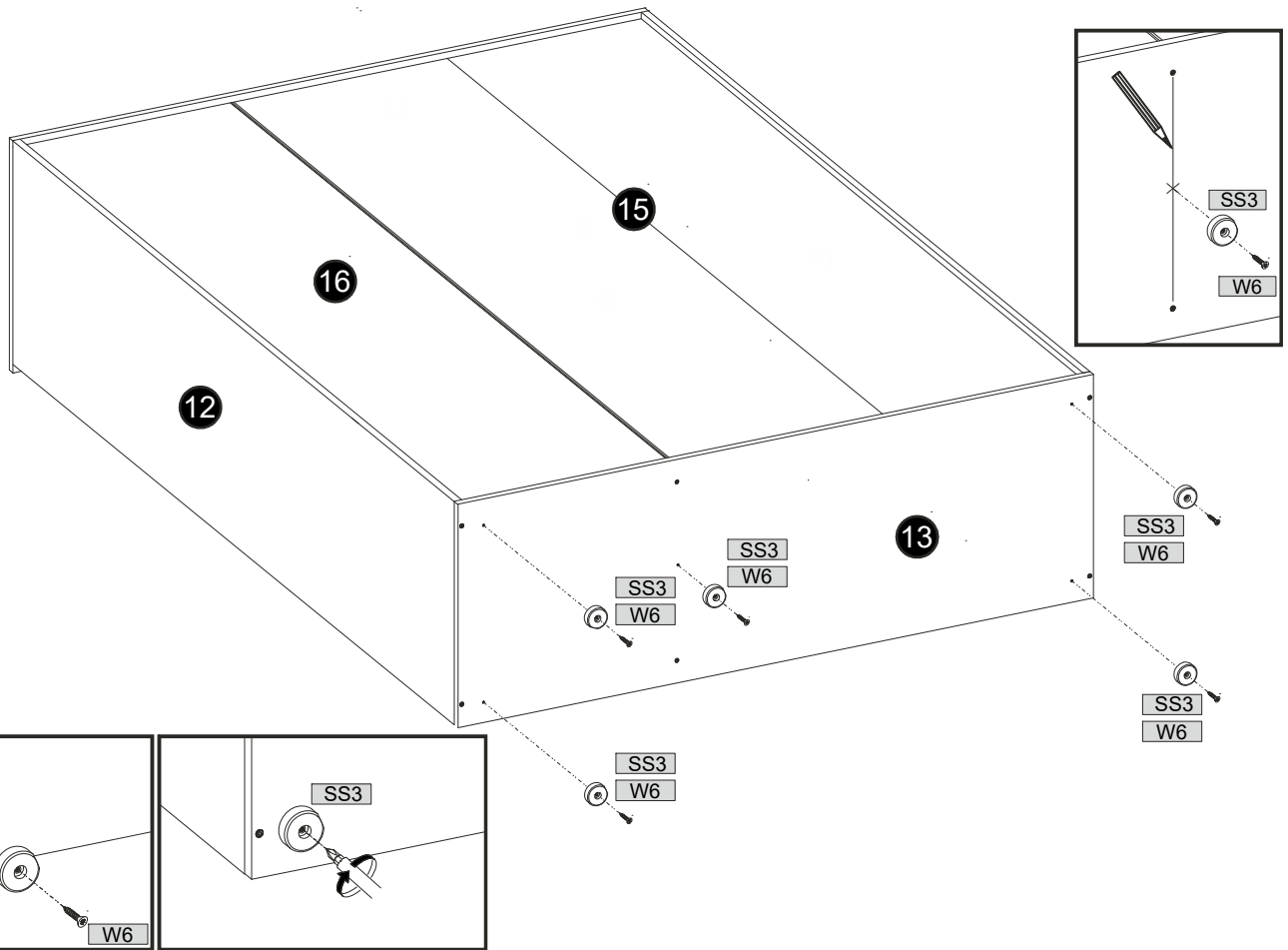
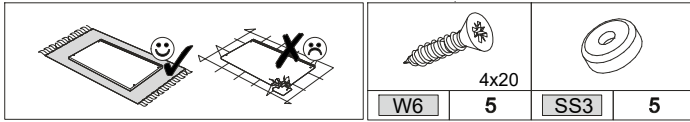
|    |      |     |   |
|----|------|-----|---|
|    | 7x50 |     |   |
| K1 | 6    | KK1 | 1 |



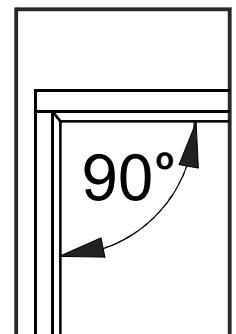
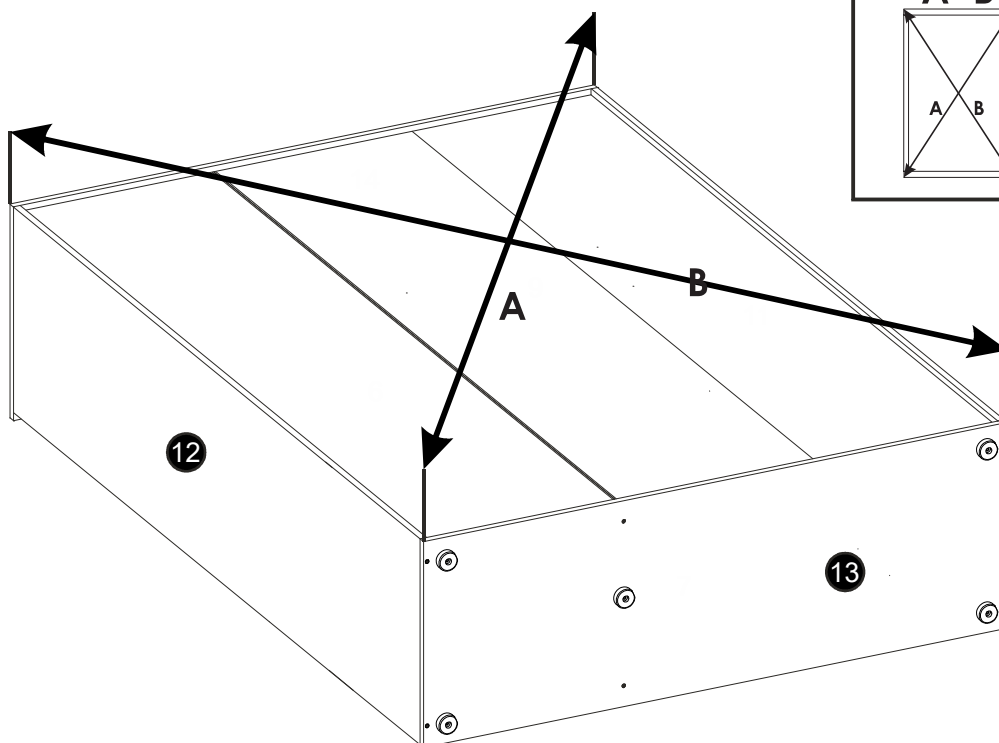
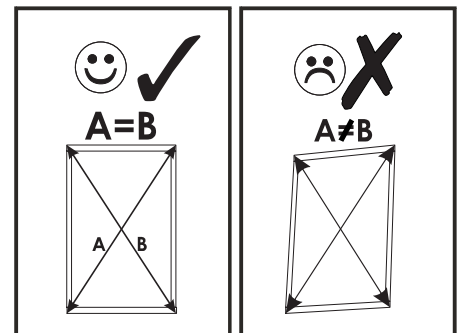
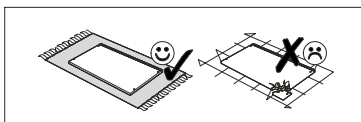
| 2/5 |      |     |    |    |
|-----|------|-----|----|----|
|     | B    | H   | T  |    |
| 13  | 1378 | 481 | 16 | x1 |



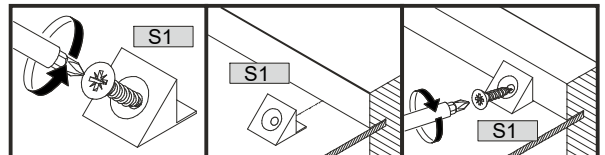
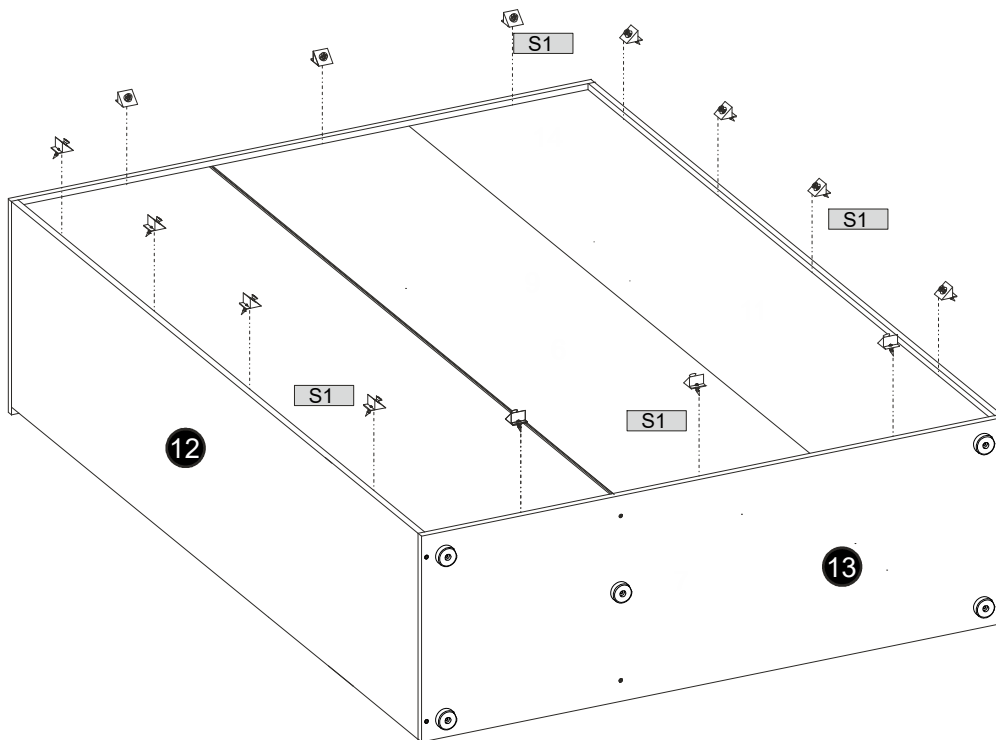
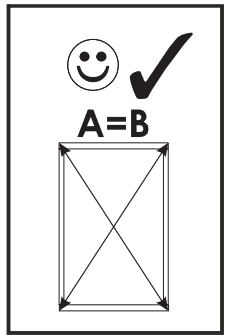
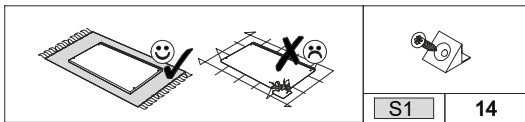
14



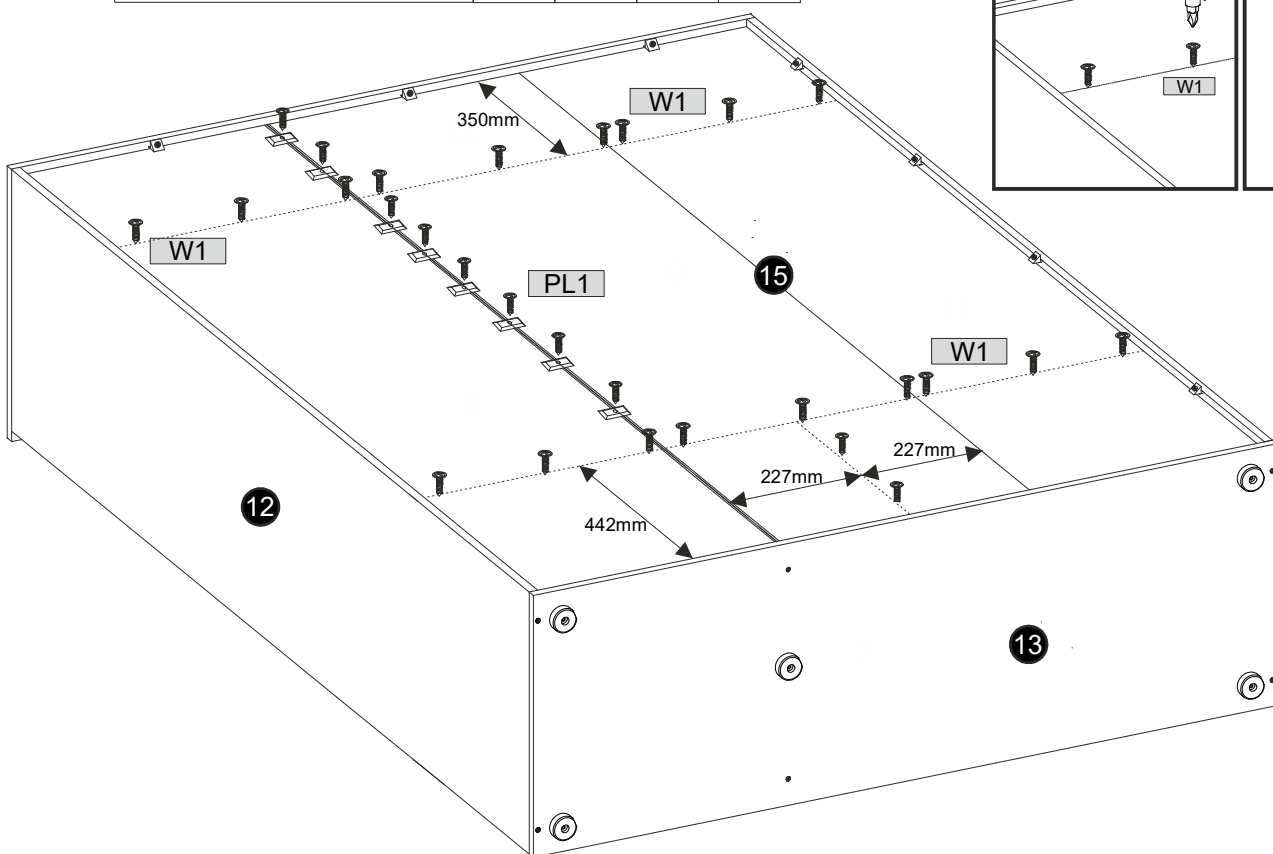
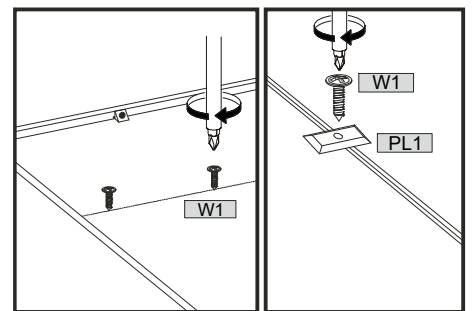
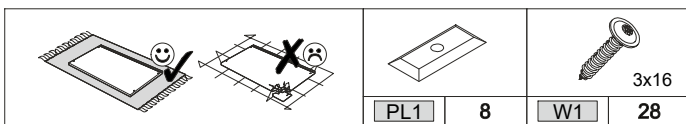
15



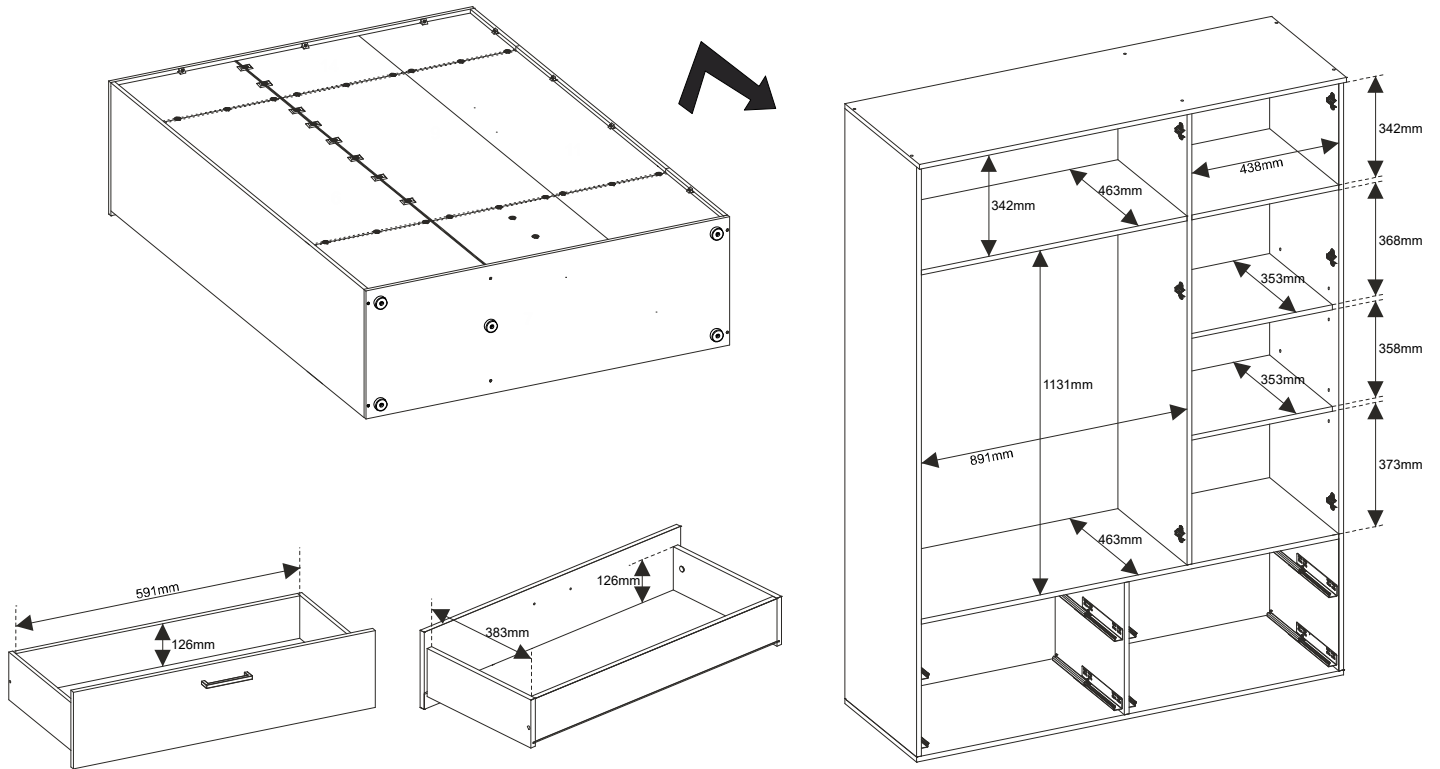
16



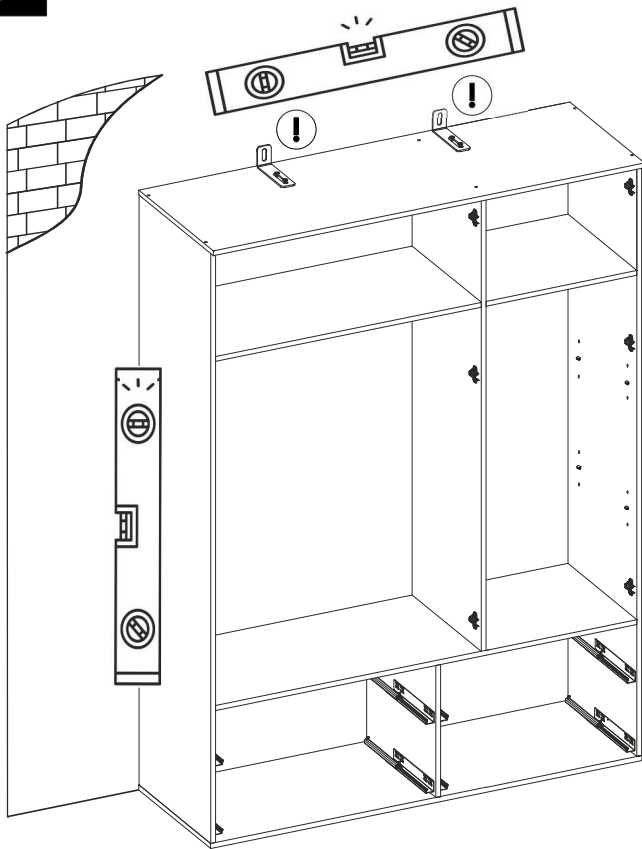
17



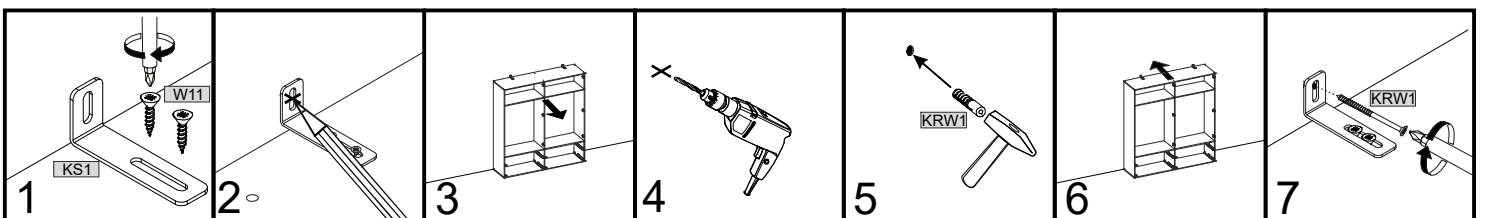
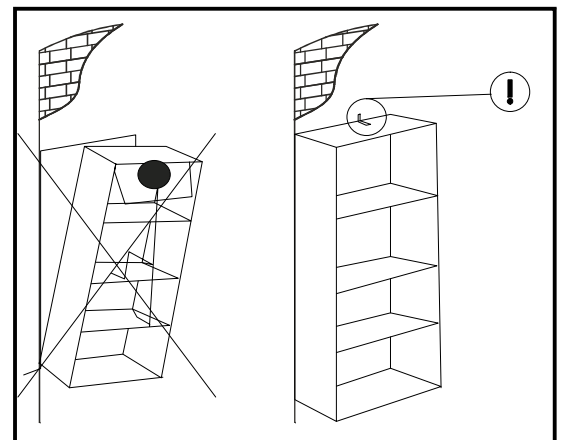
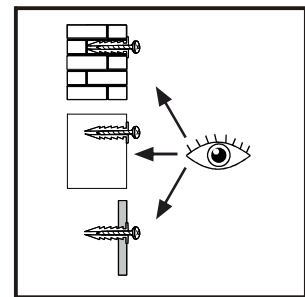
18



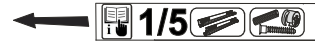
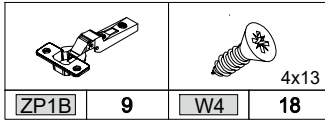
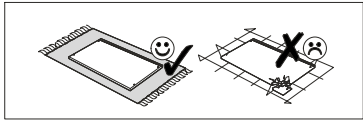
19



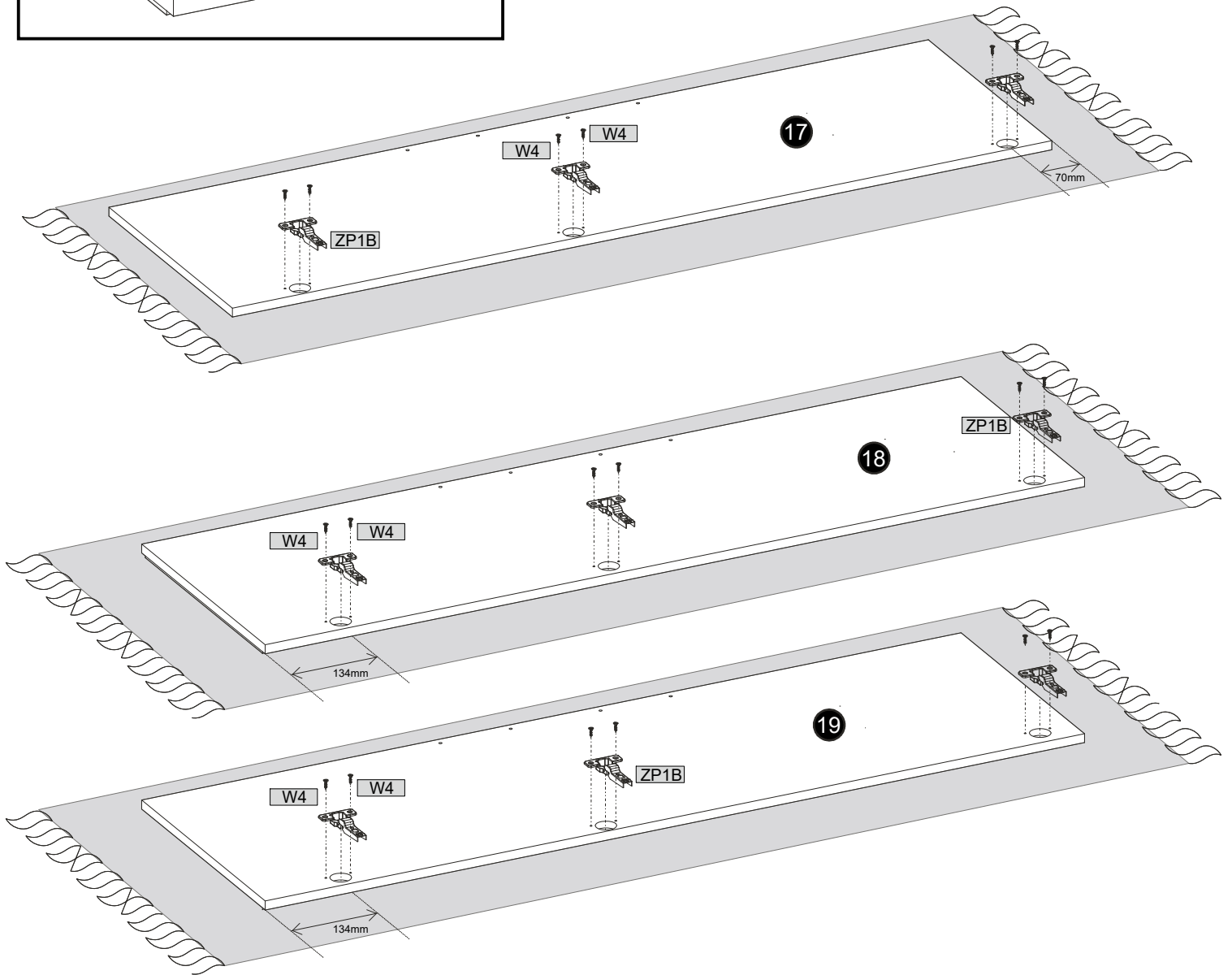
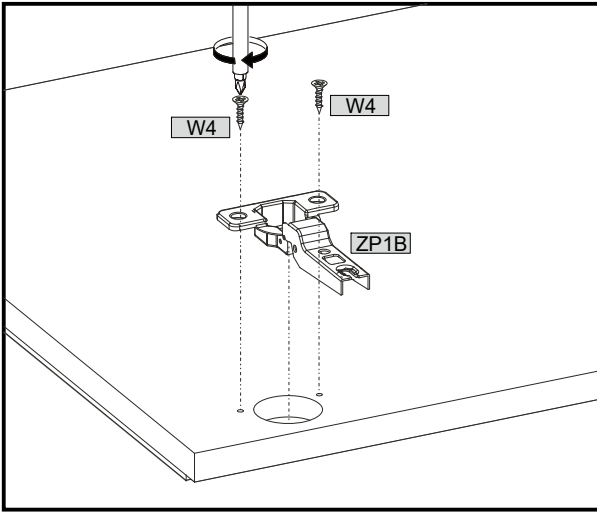
|     |        |     |   |      |       |
|-----|--------|-----|---|------|-------|
|     | 3,5x16 |     |   |      | 08x40 |
| W11 | 4      | KS1 | 2 | KRW1 | 2     |

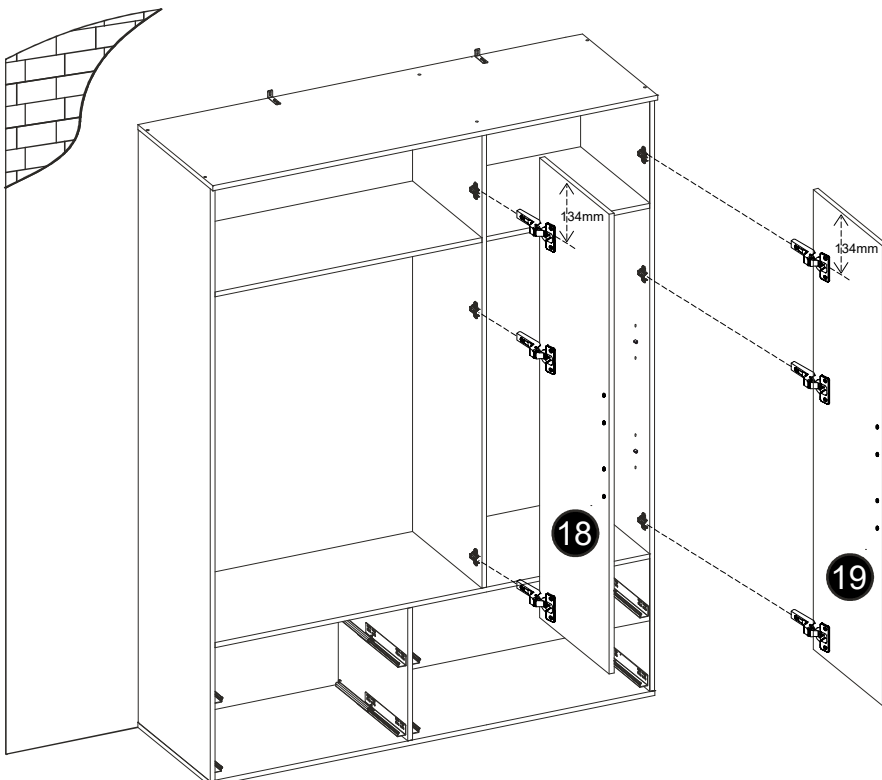
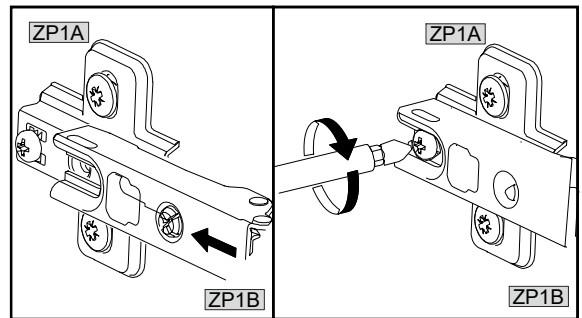
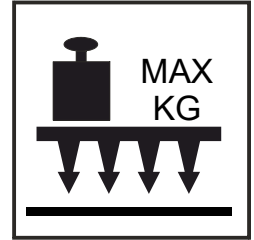
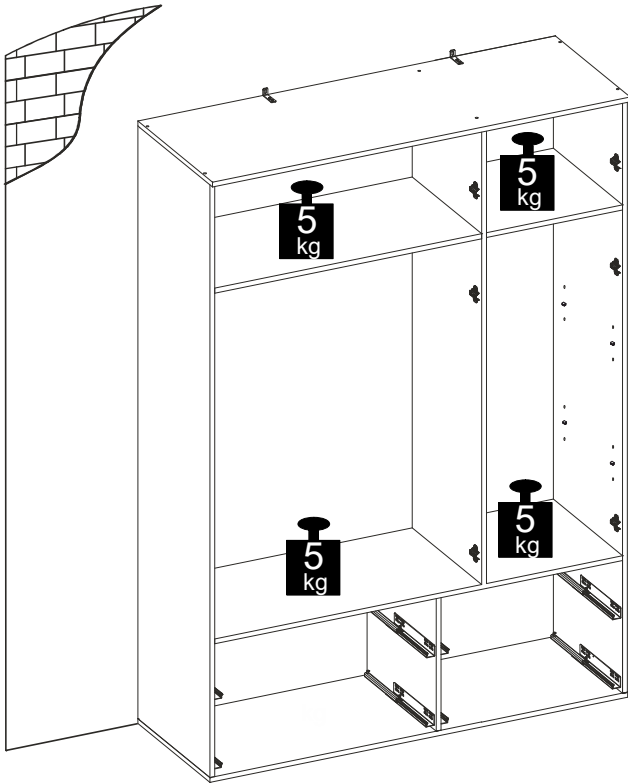


20

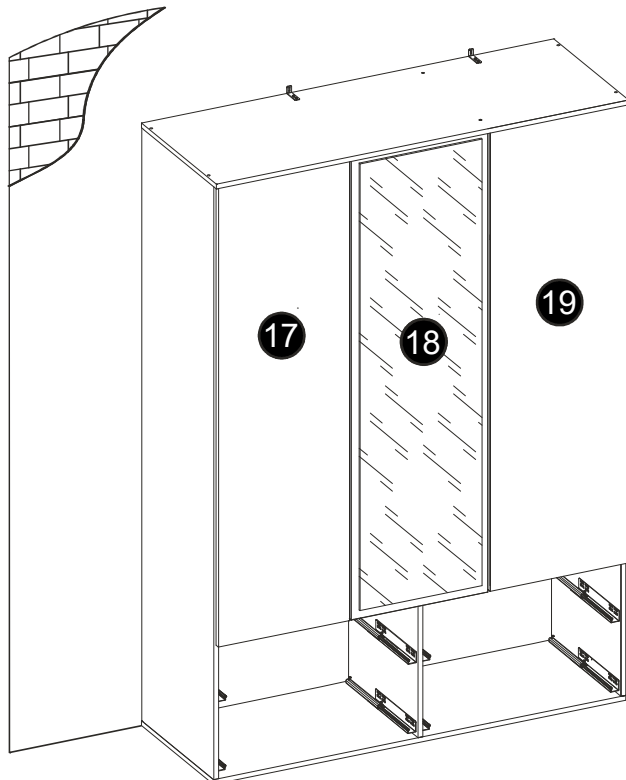
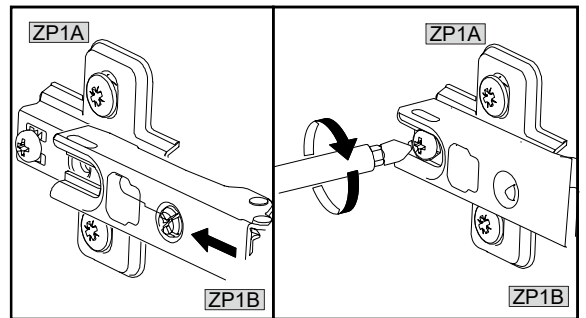
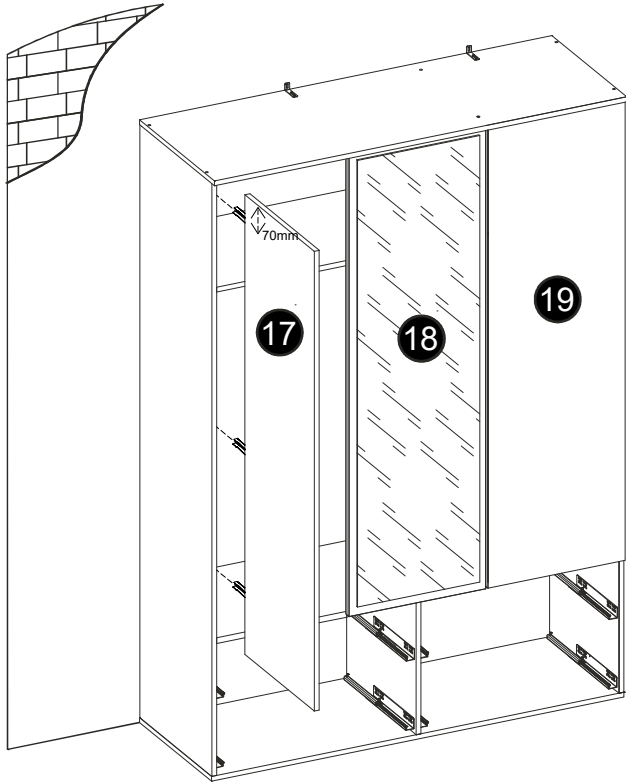


| 5/5 |      |     |    |    |
|-----|------|-----|----|----|
|     | B    | H   | T  |    |
| 17  | 1492 | 450 | 16 | x1 |
| 18  | 1492 | 450 | 16 | x1 |
| 19  | 1492 | 450 | 16 | x1 |



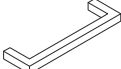



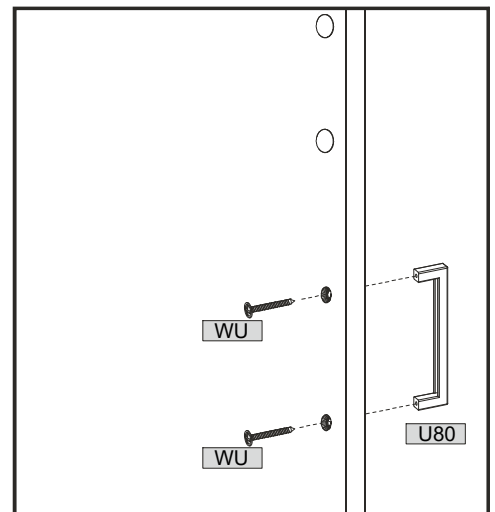
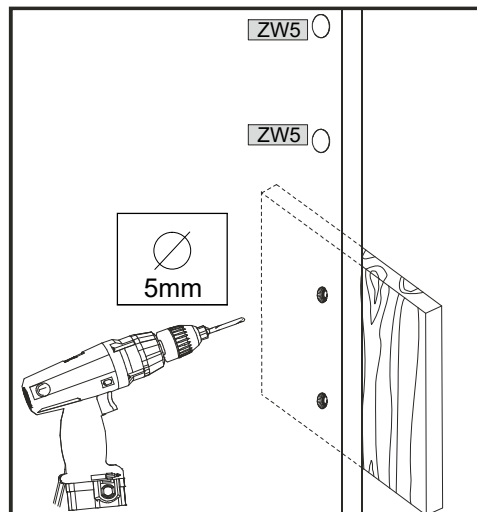
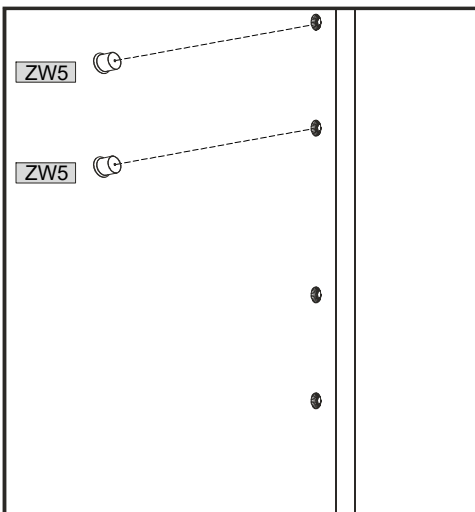
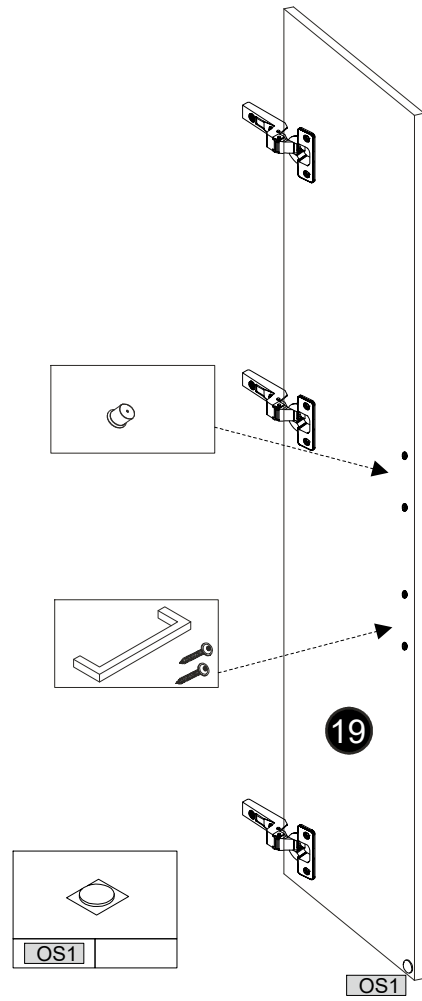
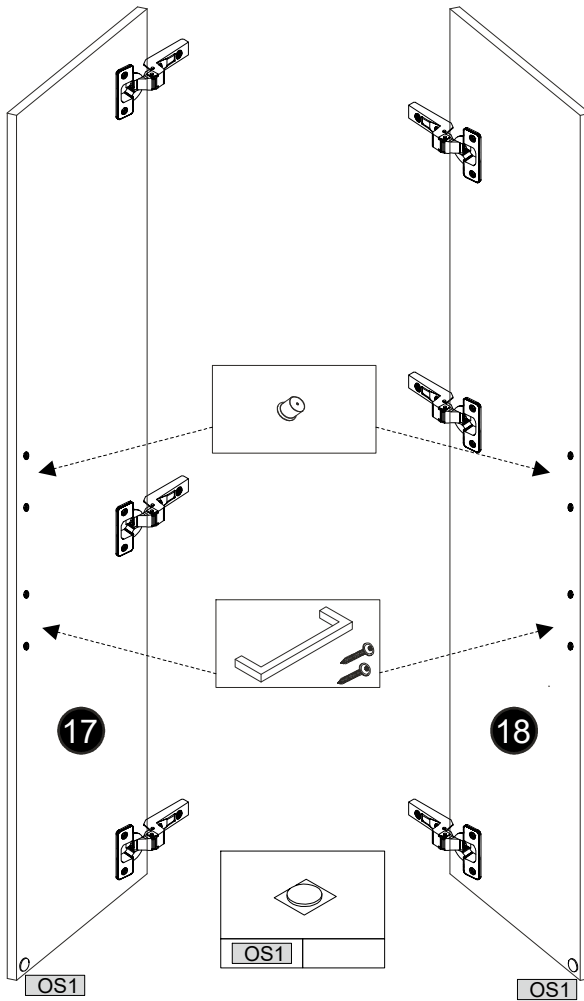
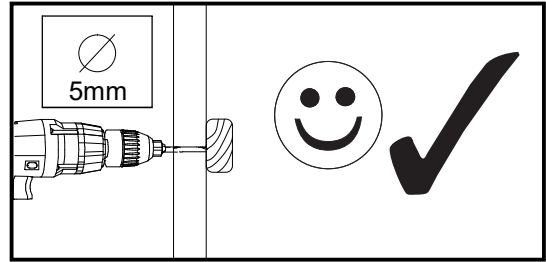
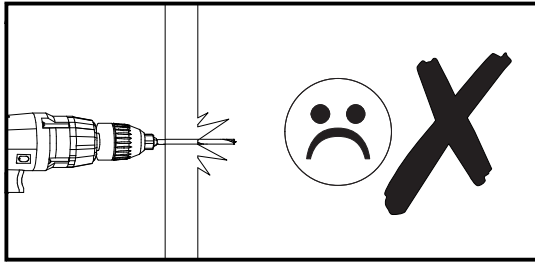




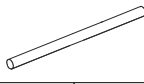
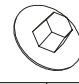



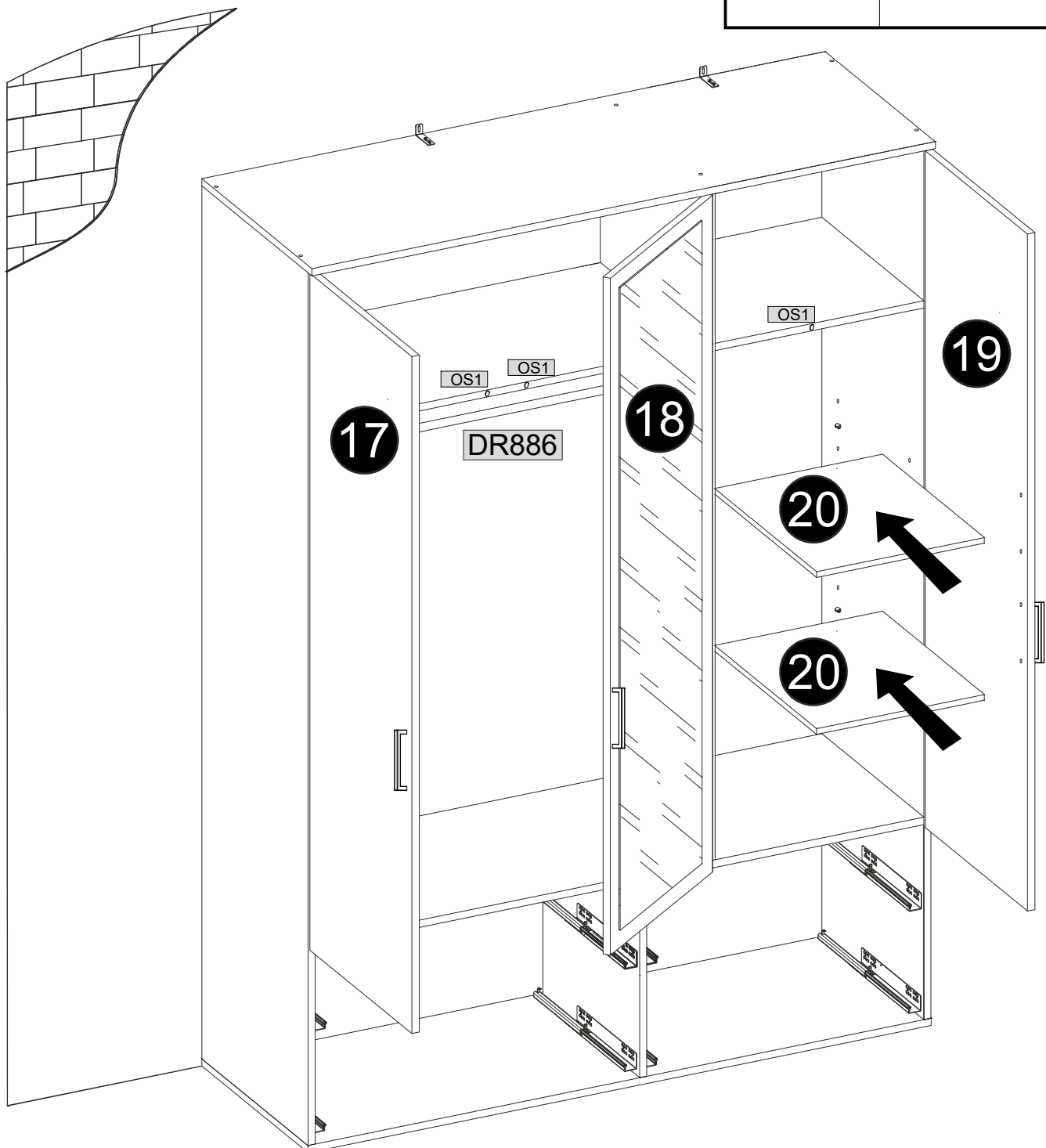
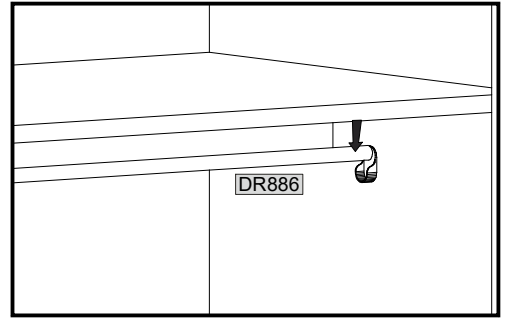
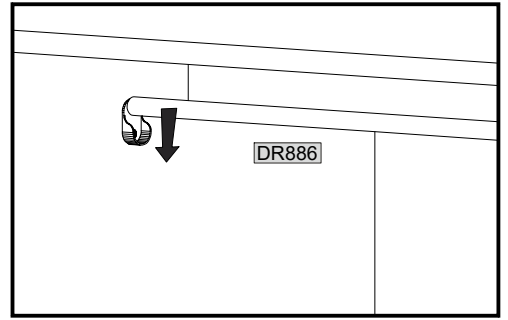
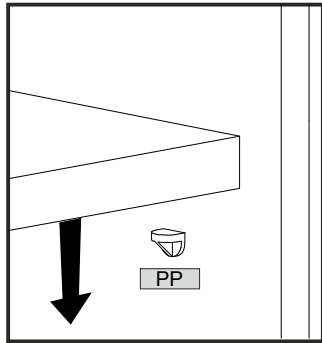
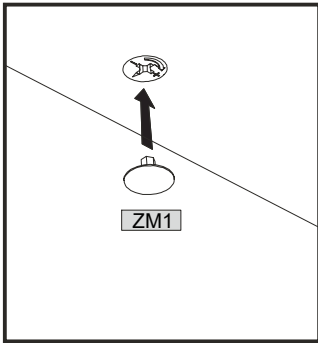
23

|   |   |   |      |   |   |   |   |
|---|---|---|------|---|---|---|---|
|  |   |  | 4x30 |  |   |  |   |
| ZW5   | 6 | WU  | 6    | U80   | 3 | OS1   | 3 |



24

|   |   |   |
|---|---|---|
|  |  |  |
| DR886   | 1   | ZM1   |
|   |   | 8   |
|   |   | OS1   |
|   |   | 3   |



25

