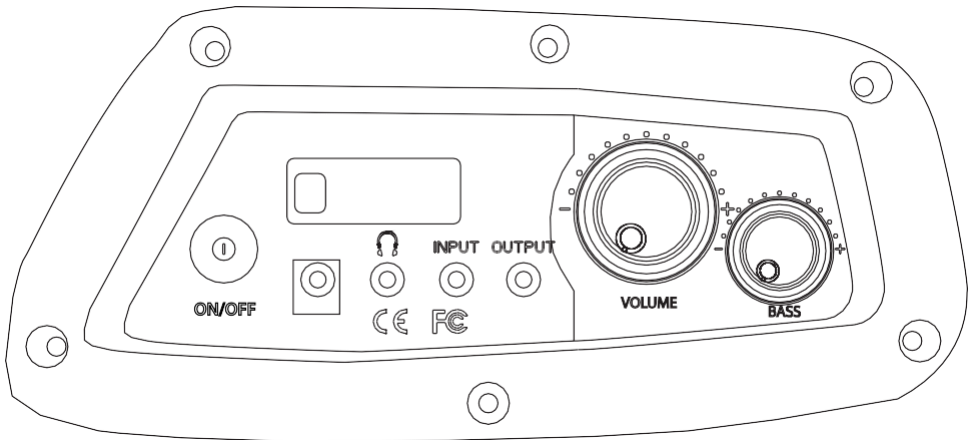


# XRocker

## 2.1 Wired



**Need Help? Email: [Service@XRockerNation.co.uk](mailto:Service@XRockerNation.co.uk) [www.XROCKERUK.com](http://www.XROCKERUK.com)**  
**IMPORTANT: You must keep your original retail receipt as proof of purchase.**

# Welcome to X Rocker!

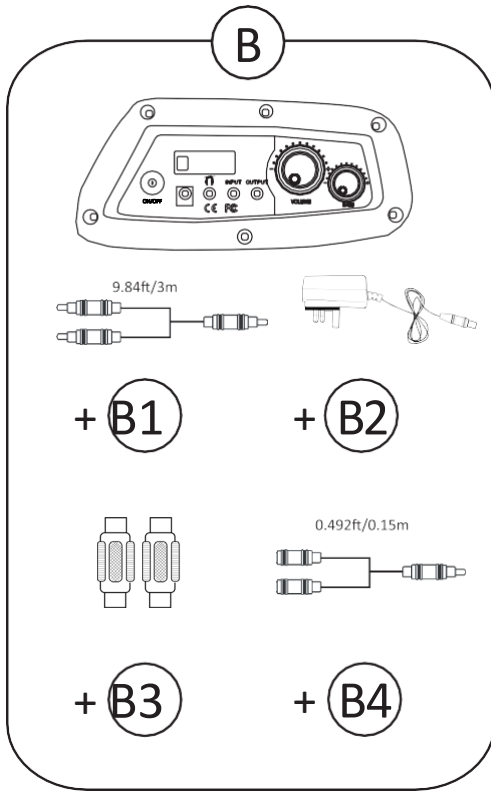
---

Thank you for purchasing this X Rocker gaming chair. You are now close to enhancing your favourite games with **glorious audio!**

To get started, please assemble the chair using the assembly instructions on the separate leaflet and then follow the instructions in this manual to **get rocking!**

## Table of contents

- 3** Box contents and control panel overview
- 4** Wired Connection guide: TV (All consoles)
- 5** Connect by controller (PS4 only)
- 6** Troubleshooting tips
- 7** Health and safety information
- 8** Power supply safety information



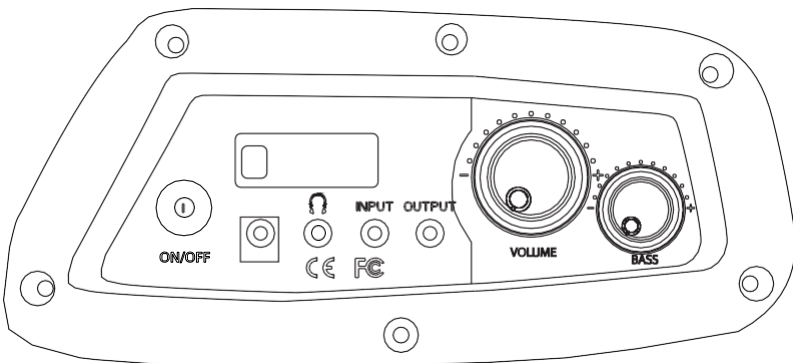
B1 - 3m 3.5mm(M) to RCA Audio cable

B2 - Power supply cable

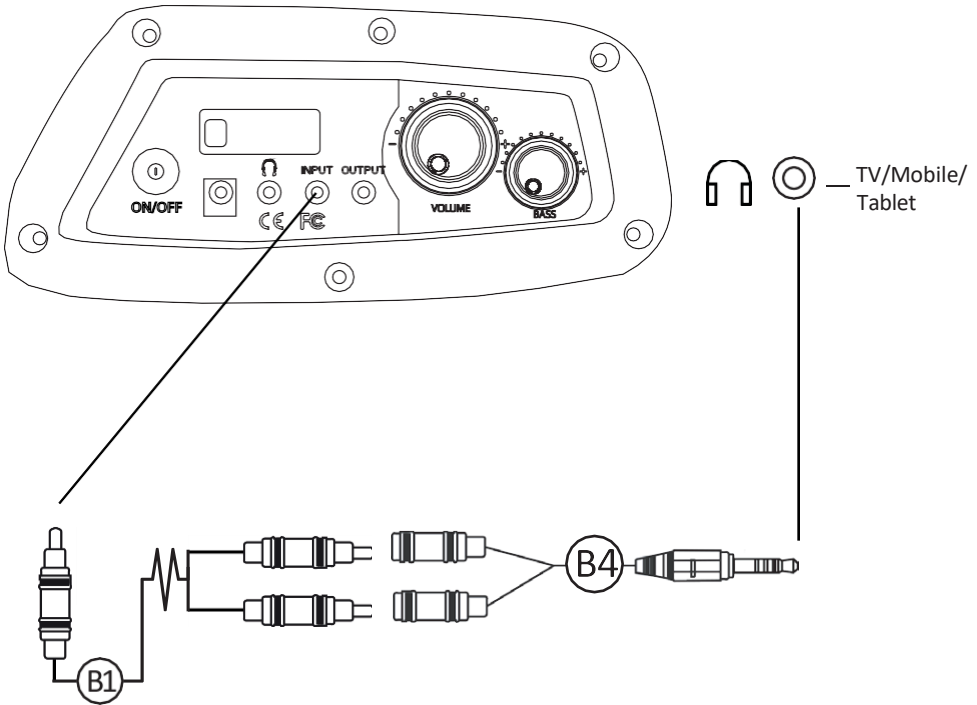
B3 - RCA female to female adapters

B4 - 0.15m 3.5mm(M) to RCA(F) Audio cable

## Control panel overview



# Wired connection guide: TV (All consoles)

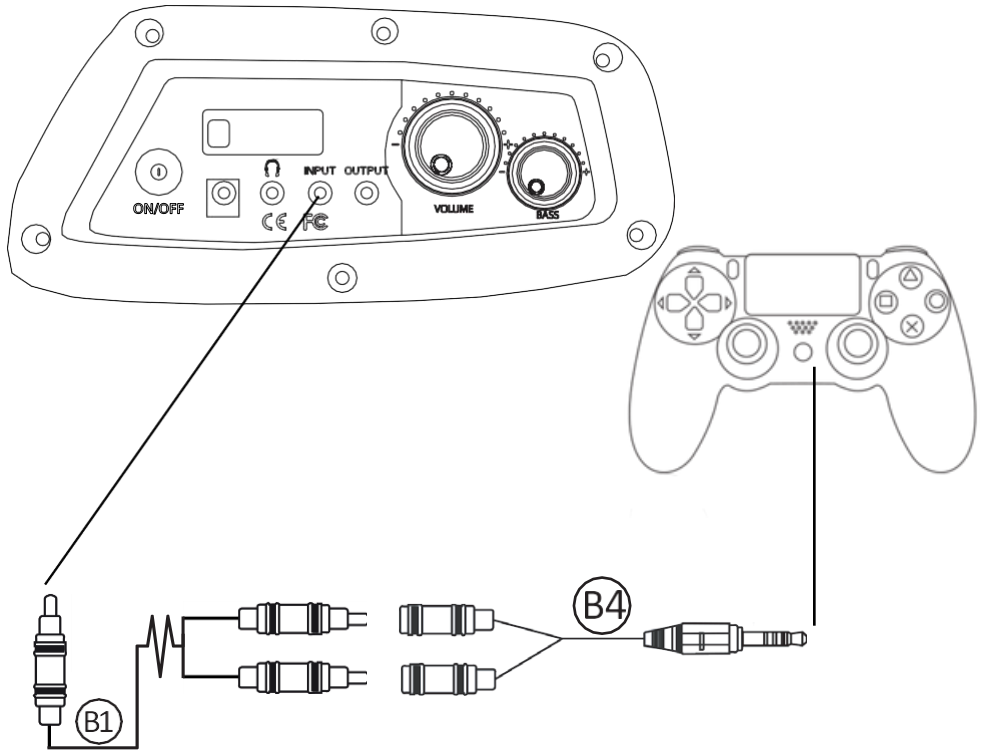


1. Connect **B1** Cable to X Rocker control panel 3.5mm **INPUT** socket.
2. Connect other end of the **B1** RCA(M) cable to the B4 RCA(F) .
3. Connect **B4** 3.5mm end into the headphone socket of your Television
4. Once connected to your TV, increase volume to 50% of the maximum for the best sound level.\*\*

**\*N.B:** If your TV does not feature a headphone socket then you may need to purchase an additional TOSlink adapter to get connected directly to a console for audio.

\*\*Depending on your TV you may need to Increase the headphone volume separately in the TV sound settings.

# Connect by controller: (PS4 systems only)



1. Connect the **B4** 3.5mm cable to the bottom of the PS4 controller via the headset socket.
2. Connect the other end of the **B4** RCA(F) cable to the **B1** RCA(M) cable
3. Connet the **B1** 3.5mm end to the chair via the green port.
4. With the PS4 turned on and in the main menu, **press and hold** the black PS button until the quick menu appears.
5. In this menu select [**Adjust sound and devices**]
6. Then select [**output to headphones**]
7. Change the setting from [**Chat Only**] to [**All audio**]
8. Make sure the volume in the previous menu is set to the maximum.

# Troubleshooting tips

Issue	Troubleshooting steps
No power going to control panel	<ul style="list-style-type: none"><li>• Make sure that the power cable is connected correctly.</li><li>• Make sure that the power supply at the power source is working correctly.</li><li>• With the chair turned to the ON position, give the power cable a slight wiggle in the port. If any lights flicker (or not) then please contact support (details below).</li></ul>
No sound	<ul style="list-style-type: none"><li>• Connect a mobile phone to the X Rocker using the phone connection guidelines in the manual to test the chair for sound.</li><li>• Confirm that the device/system is correctly configured as per previous connection guide.</li><li>• Make sure that you indeed have a headphone socket on your TV. This will typically be marked with a headphone symbol or “H/P OUT”</li></ul>
Subwoofer does not produce sound/ sound faint	<ul style="list-style-type: none"><li>• Please make sure that the volume of the source device is at a higher level to strengthen the audio signal.</li></ul>
The cables connected to my X Rocker have been broken accidentally	<ul style="list-style-type: none"><li>• Please contact X Rocker support (Service@xrockernation.co.uk) regarding this issue.</li></ul>
Don't have a headphone socket on your TV?	<ul style="list-style-type: none"><li>• You may need to purchase a TOSlink adapter. If you are unsure as to which to purchase then please contact BraZen at service@XRockerNation.co.uk regarding this issue.</li></ul>

# Health and safety information

- Avoid immersing or allowing the X Rocker to come into contact with liquids.
- Please consult X Rocker Support before unscrewing any of the electrical components on the chair.
- Please be mindful of any cabling laid out between the X Rocker and power source/audio device.
- Please be mindful of cabling attached when moving/swivelling the X Rocker.
- If the cables or electrical equipment are broken then this may present a choking risk, please contact Support for replacements and dispose of these parts safely.
- Do not stand on the X Rocker or exceed the 120kg weight limit via other means.
- Do not lean back on the chair to the point in which the pedestal would lift off the ground.
- X Rocker armrests are designed for support and comfort during gameplay, please do not use these as support for getting in/out of the chair.
- Playing audio for long periods at loud volumes may contribute to difficulties in hearing.
- Please be considerate to others when playing audio through the X Rocker speakers at higher volumes.

# Power supply safety information

## ATTENTION:

- A. For Power Adapter, the apparatus shall not be exposed to dripping or splashing and that no objects filled with liquids, such as vases, shall be placed on the apparatus;
- B. For Power Adapter, the MAINS plug is used as the disconnect device, the disconnect device shall remain readily operable;
- C. Only use the attachments/accessories specified by manufacturer.

Power Supply unit trademark: BI;

Model name: BI10-090100-I;BI12T-090100-I;

Input: 100-240V~, 50/60 Hz, 0,5A;

Output: 9 VDC, 1A ;



**Need Help? Email: [Service@xrockernation.co.uk](mailto:Service@xrockernation.co.uk)  
[www.xrockerkuk.com](http://www.xrockerkuk.com)**

**IMPORTANT: You must keep your original retail receipt as proof of purchase.**