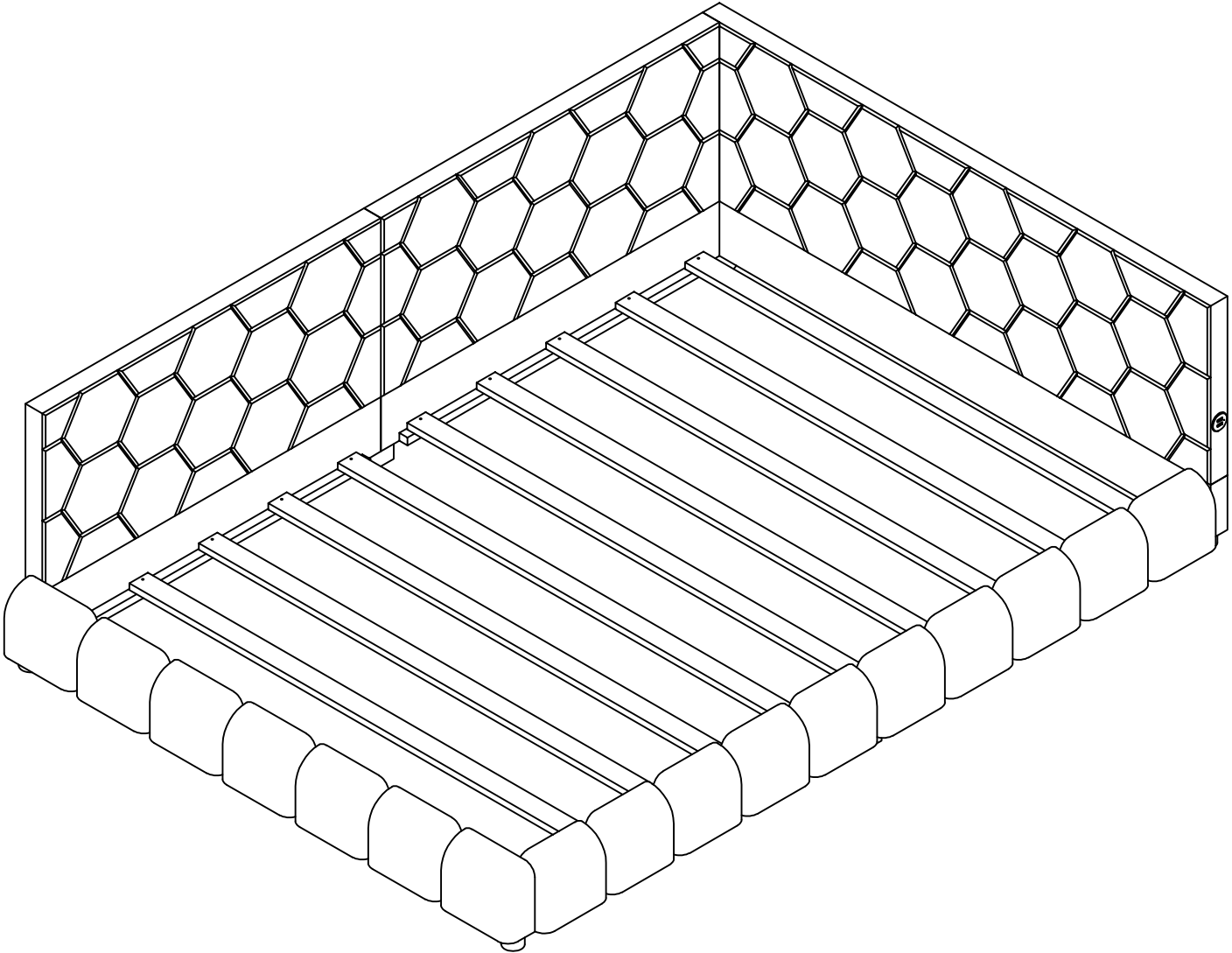
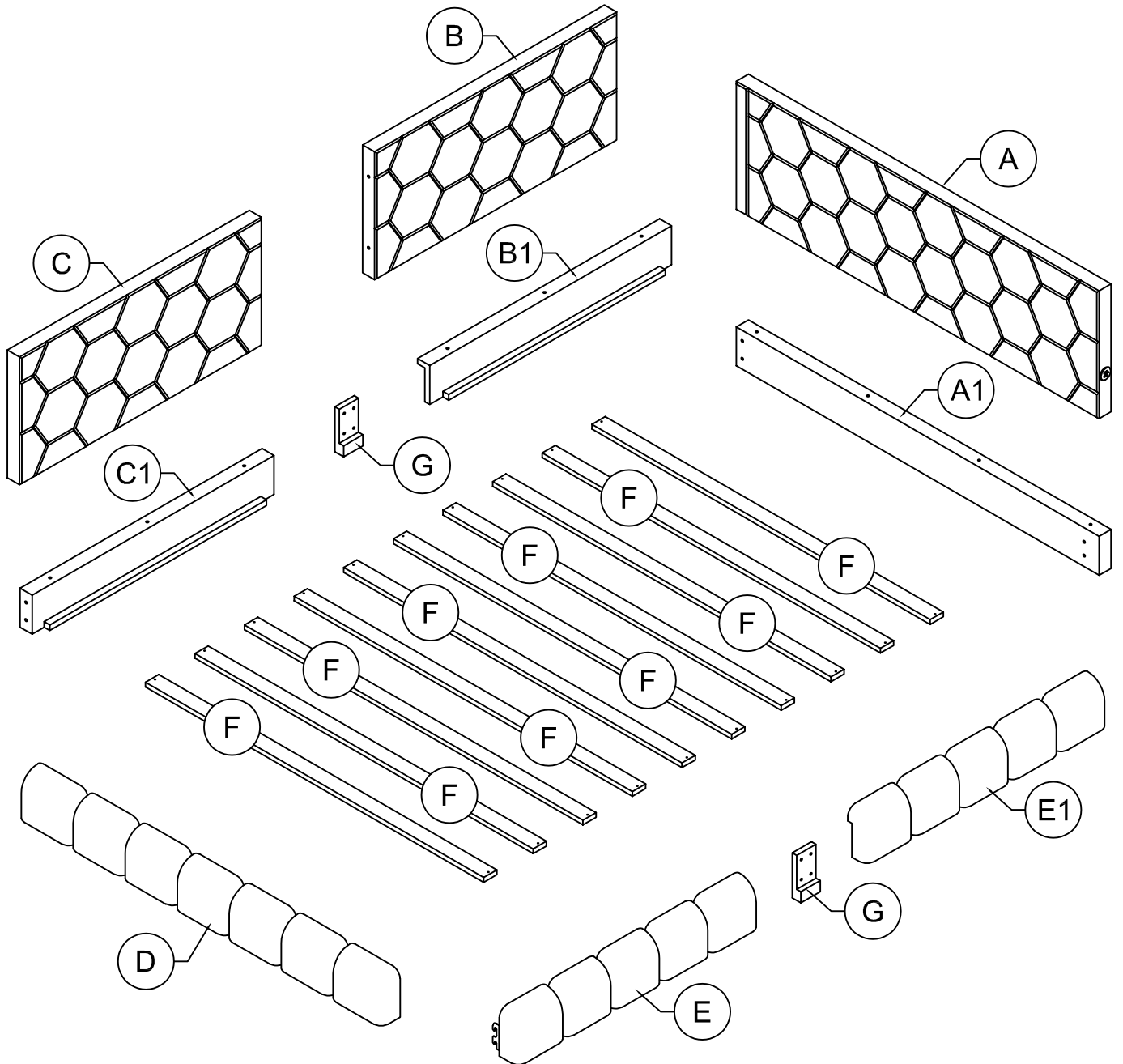


**ASSEMBLY INSTRUCTION**  
SKU CODE: (WF322391/WF322392)

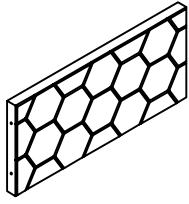


# ASSEMBLY INSTRUCTION



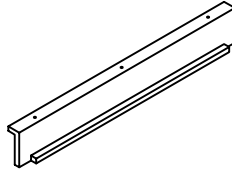
# Part List (WF322391)

**B**



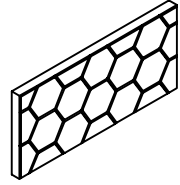
Top panel - 1pcs

**B1**



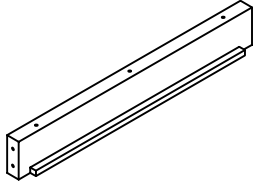
Back panel - 1pcs

**C**



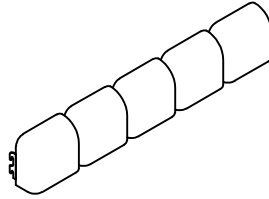
Top panel - 1pcs

**C1**



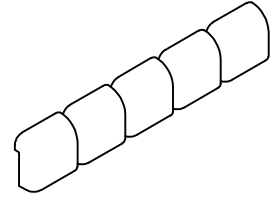
Back panel - 1pcs

**E**



Side rails - 1pcs

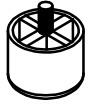
**E1**



Side rails - 1pcs

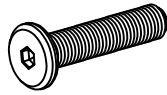
# Hardware List (WF322391)

1



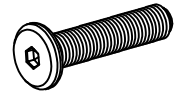
Plastic Feet(Ø50x40)  
4pcs

2



1/4" x 30mm  
Hex-Head bolts 12pcs

3



1/4" x 40mm  
Hex-Head bolts 18pcs

4



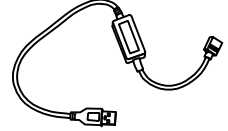
M4 x 30 mm  
Wood Screws 20pcs

5

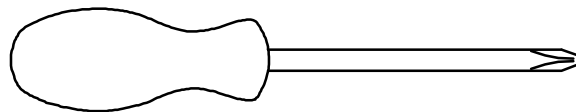


Allen Key 1pcs

6



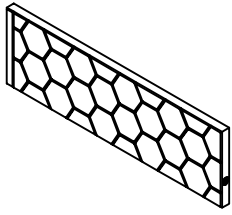
Connecting wire 1pcs



**Assembly Tools Required (Not Included)**

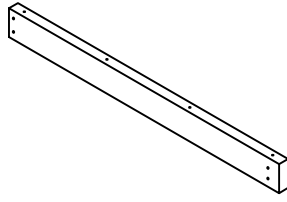
# Part List (WF322392)

A



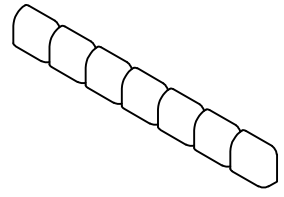
Top panel - 1pcs

A1



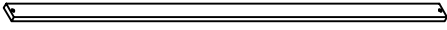
Back panel - 1pcs

D



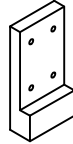
Foot board - 1pcs

F




Slats - 10pcs

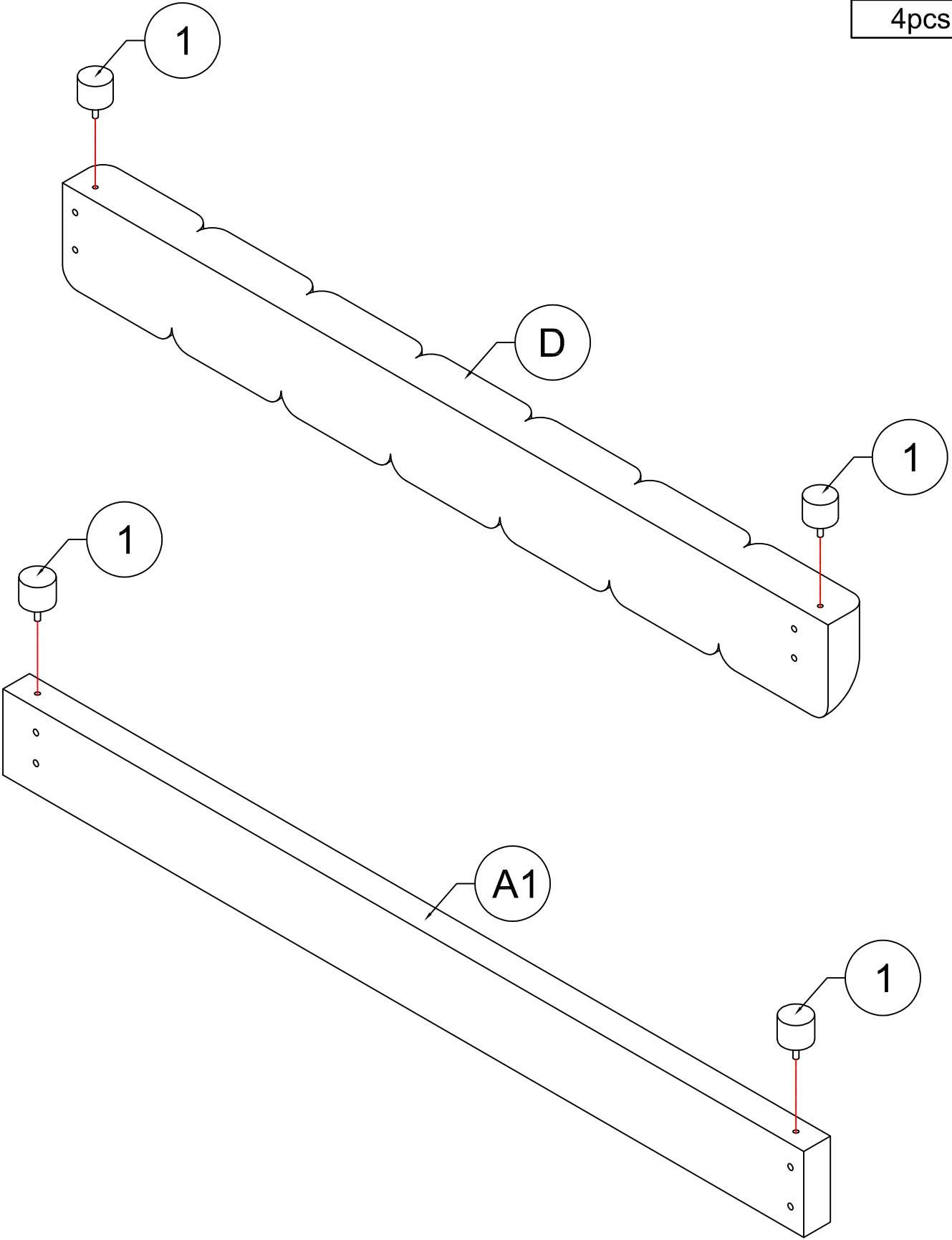
G



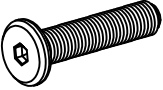
Legs support - 2pcs

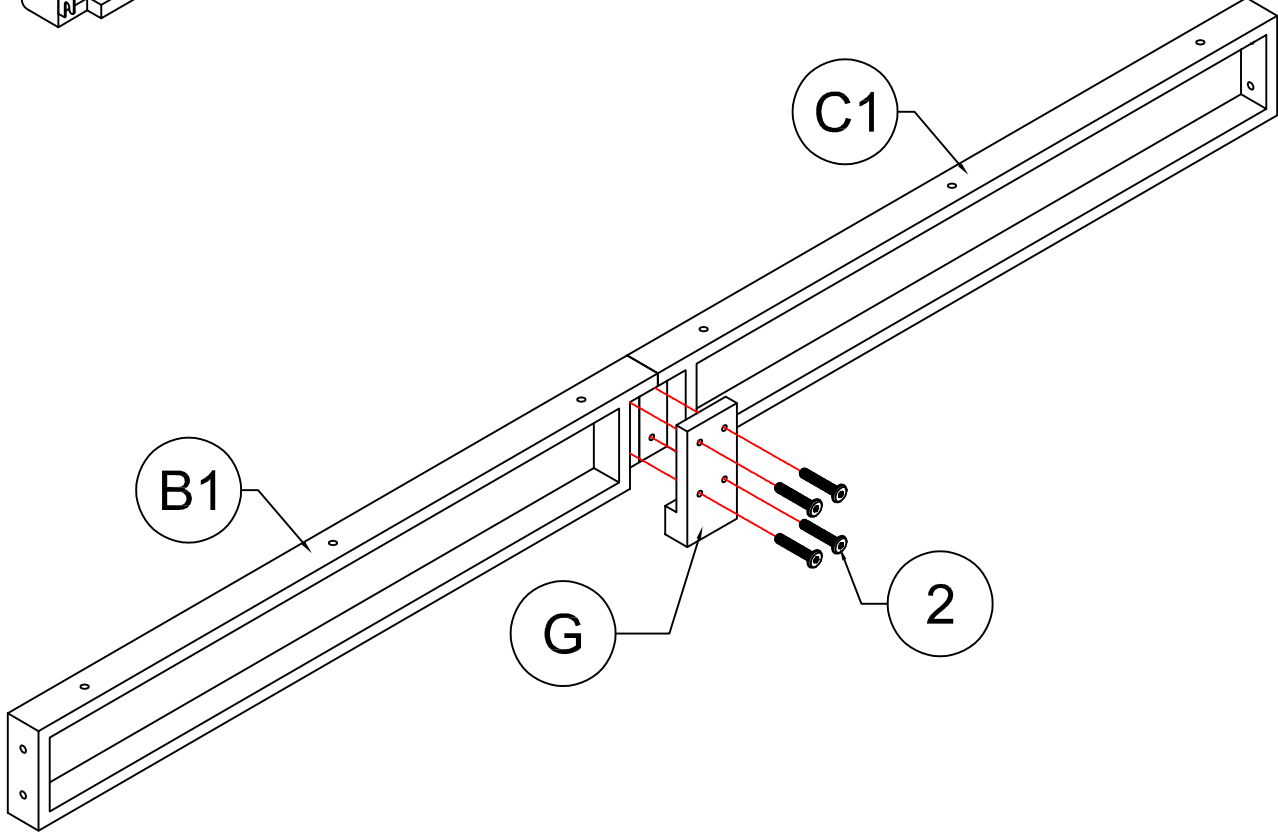
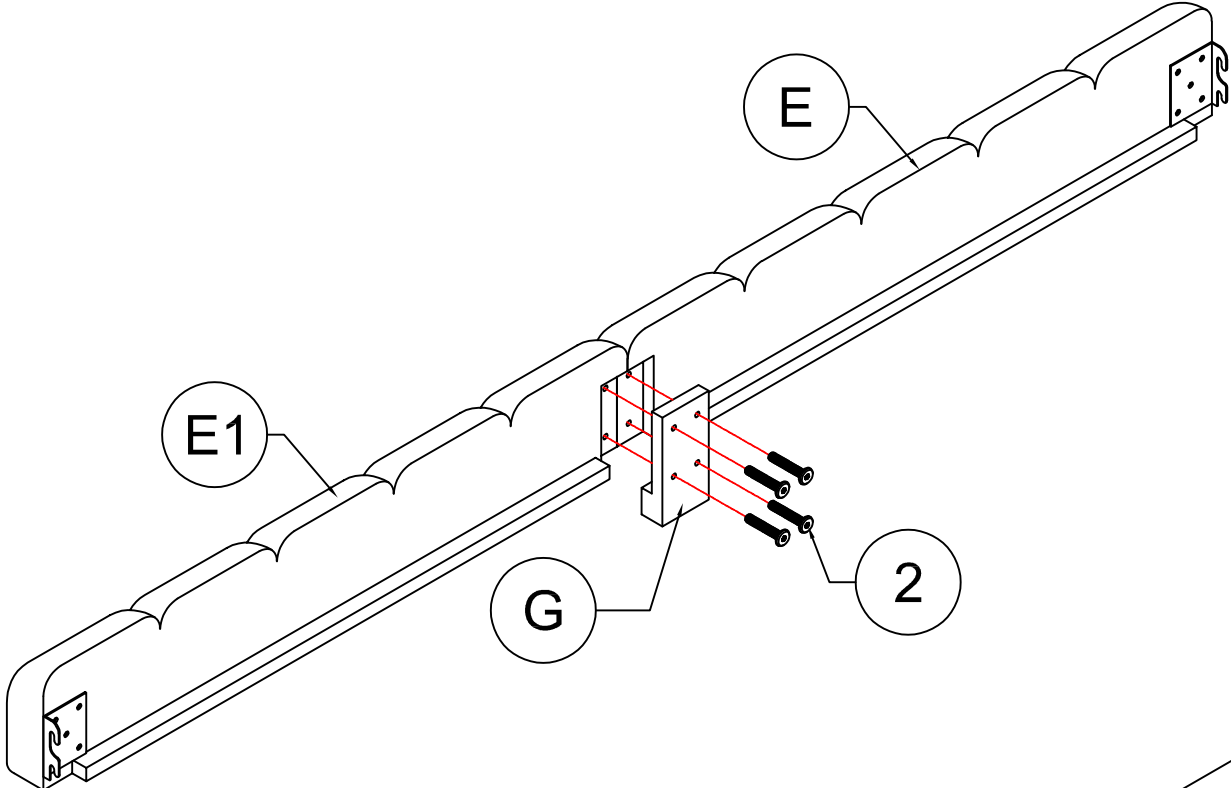
**STEP 1:** Following below illustration:

1

4pcs



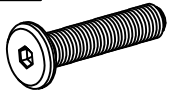
**STEP 2:** Following below illustration:

2

8pcs

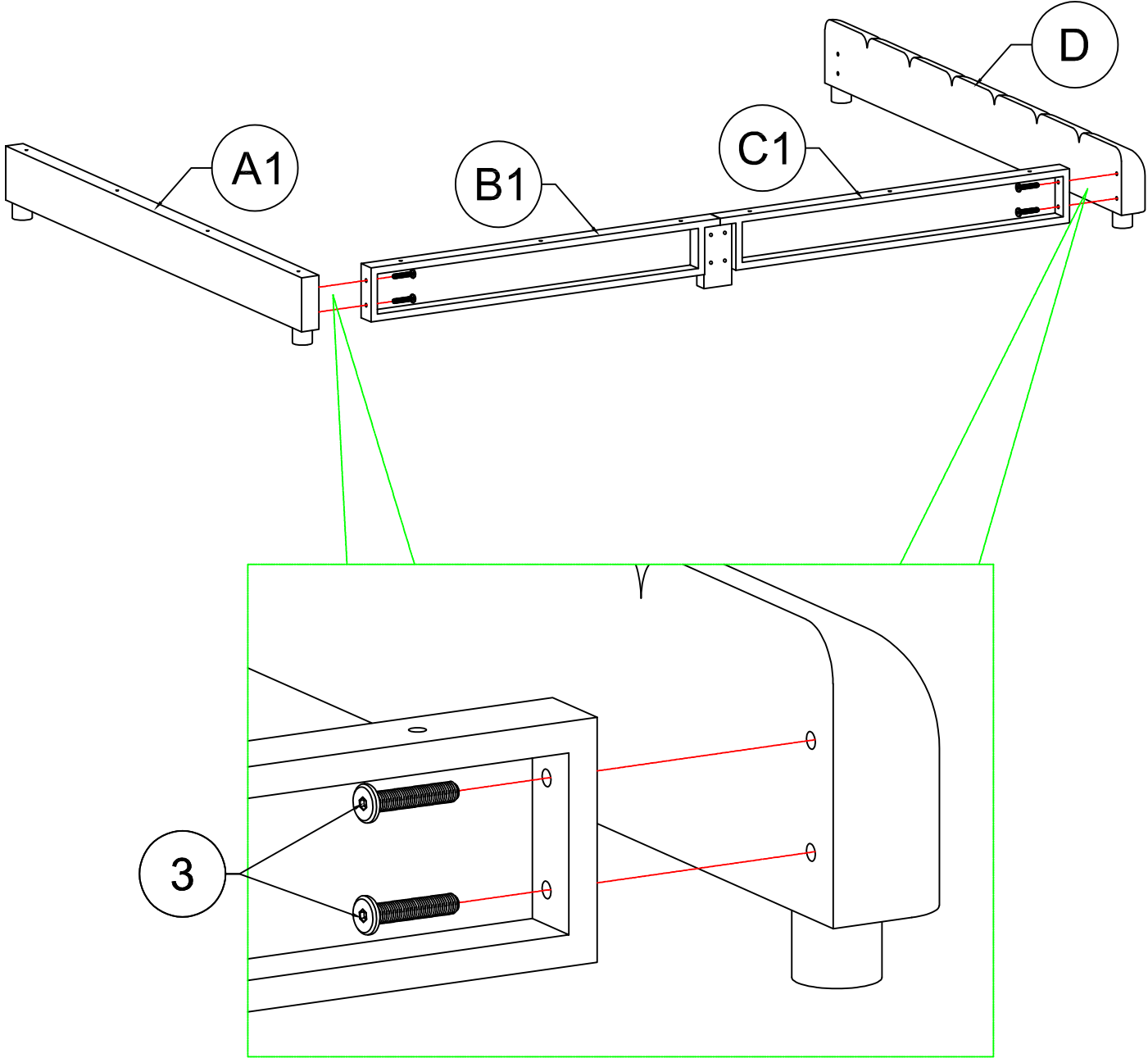


**STEP 3:** Following below illustration:

3



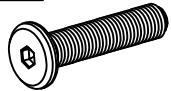
4pcs





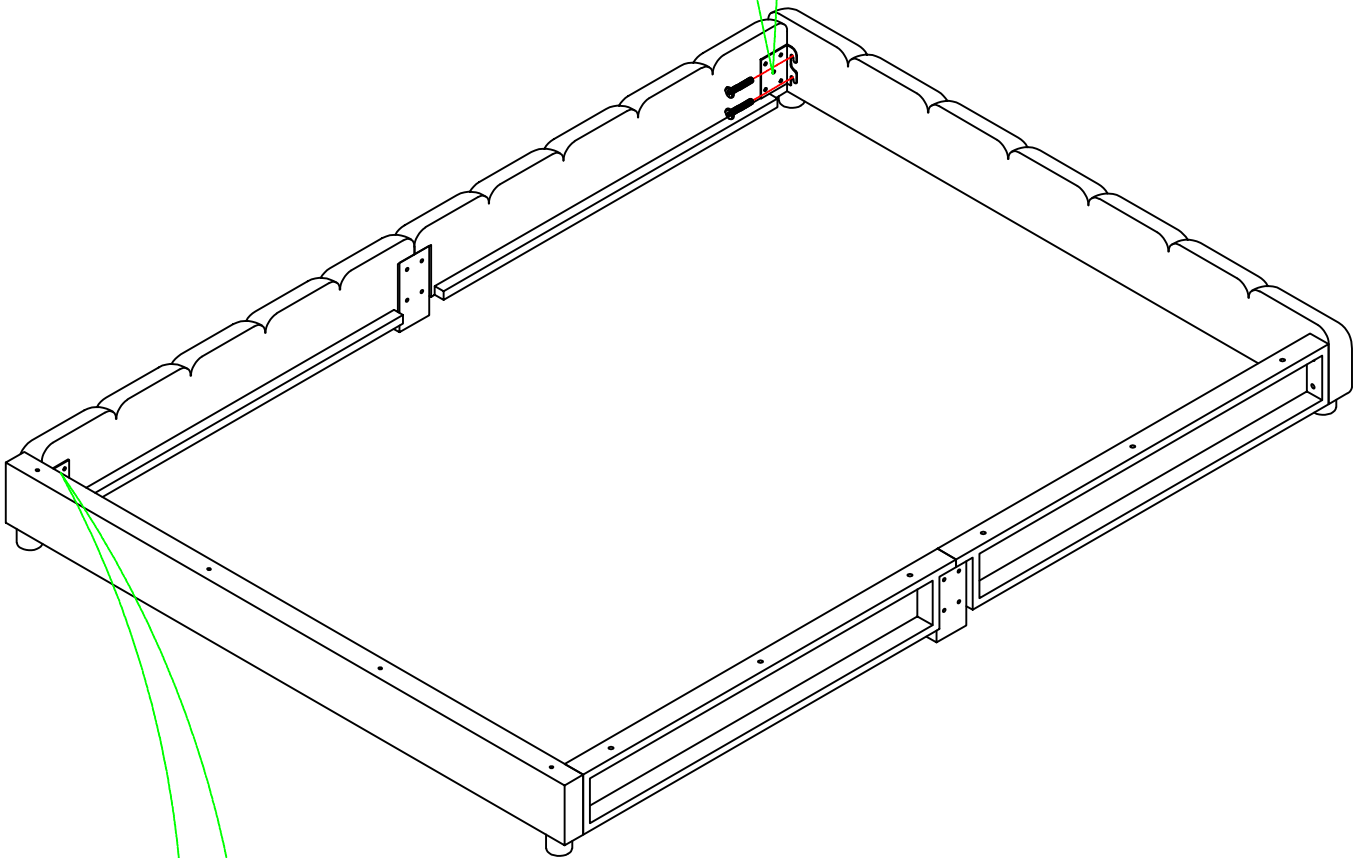
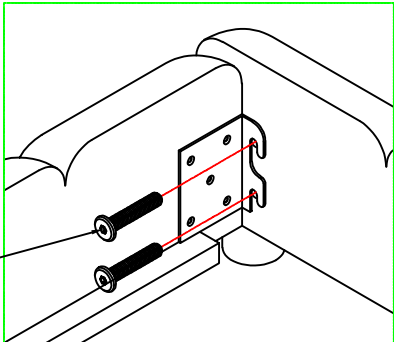
**STEP 4:** Following below illustration:

2

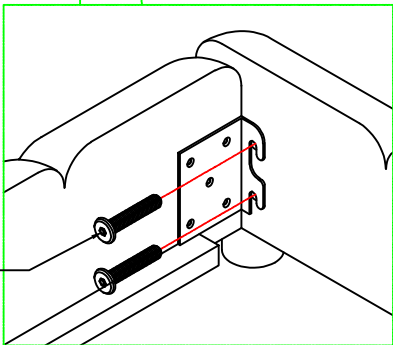


4pcs

2

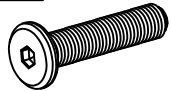


2

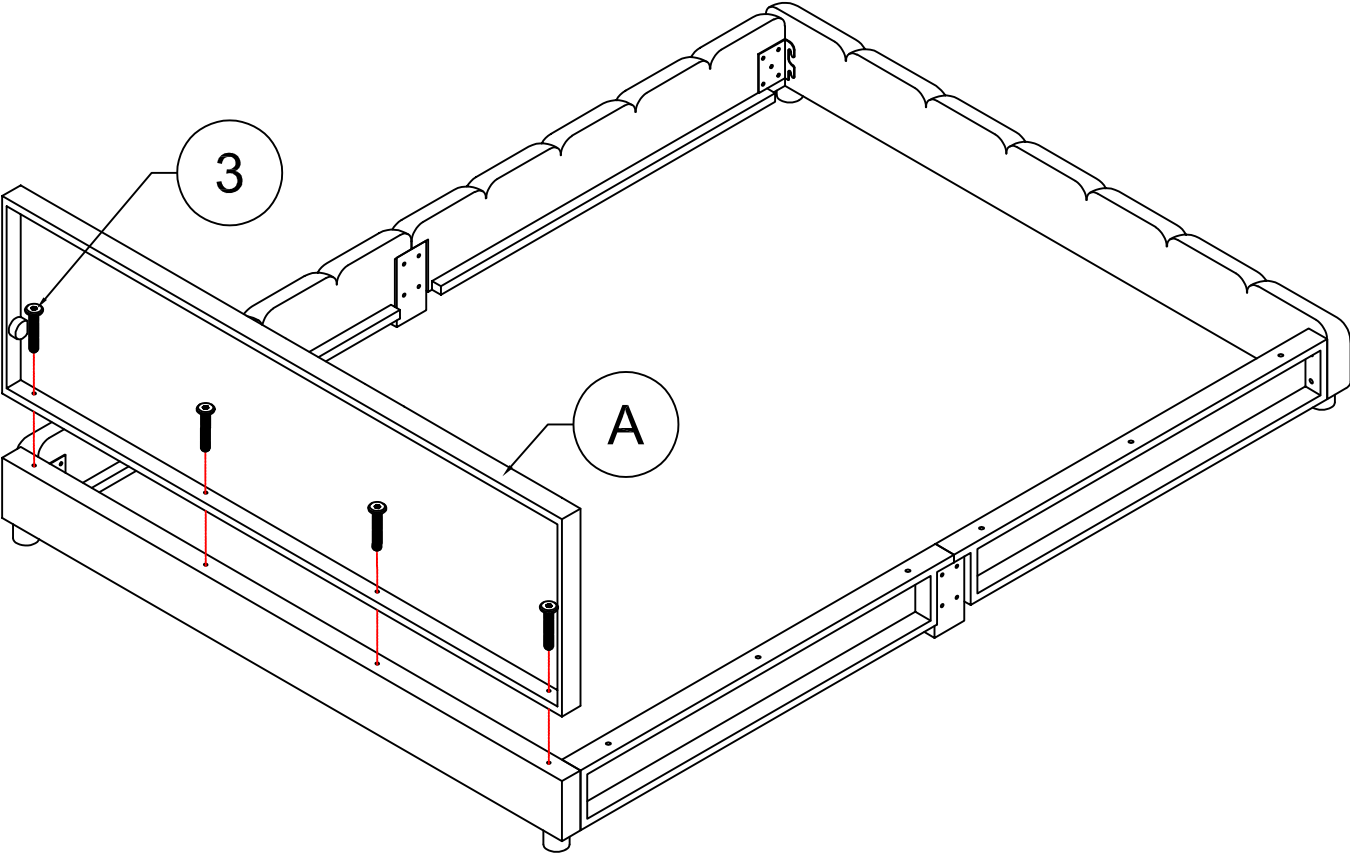


**STEP 5:** Following below illustration:

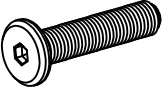
3

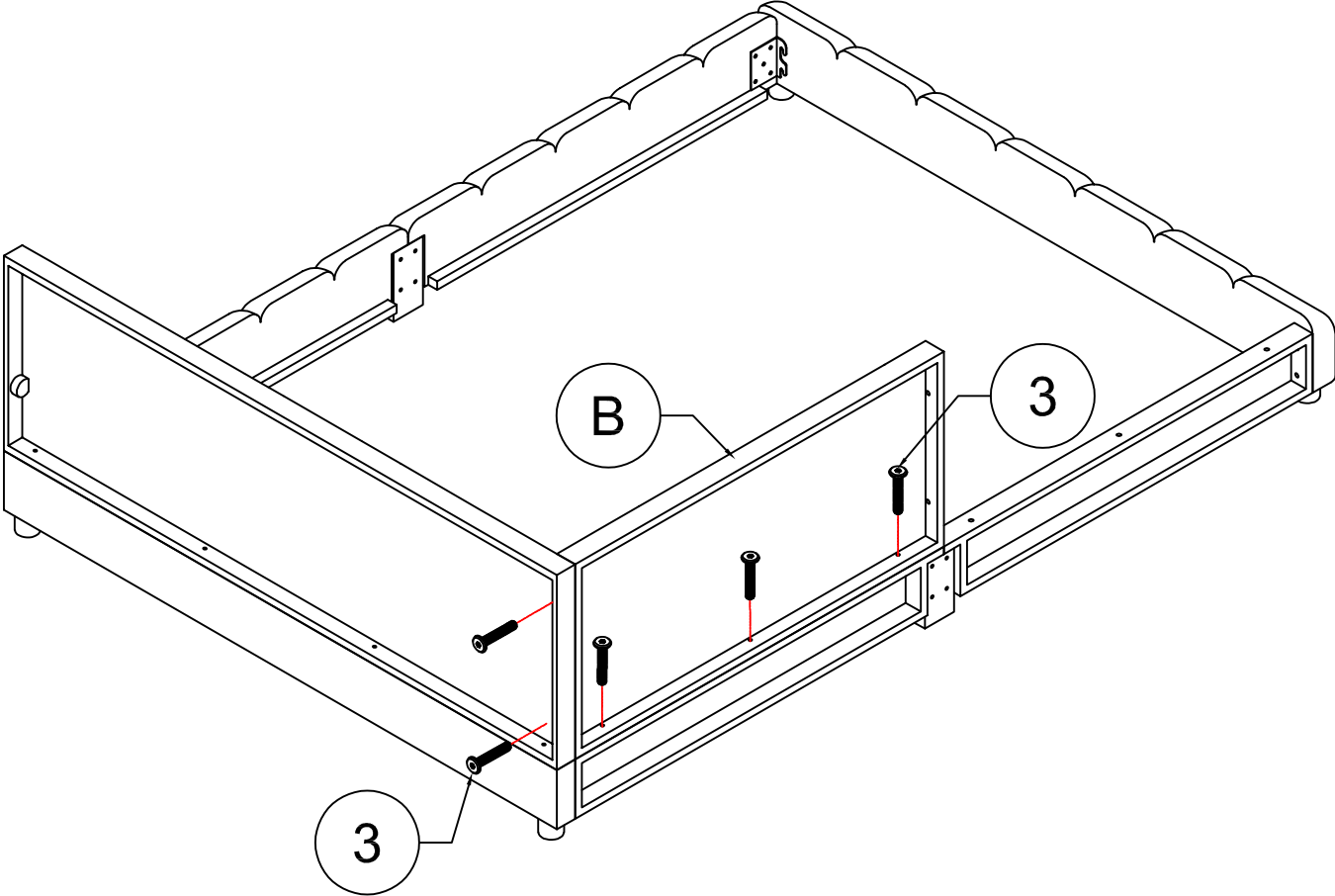


4pcs

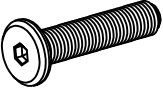


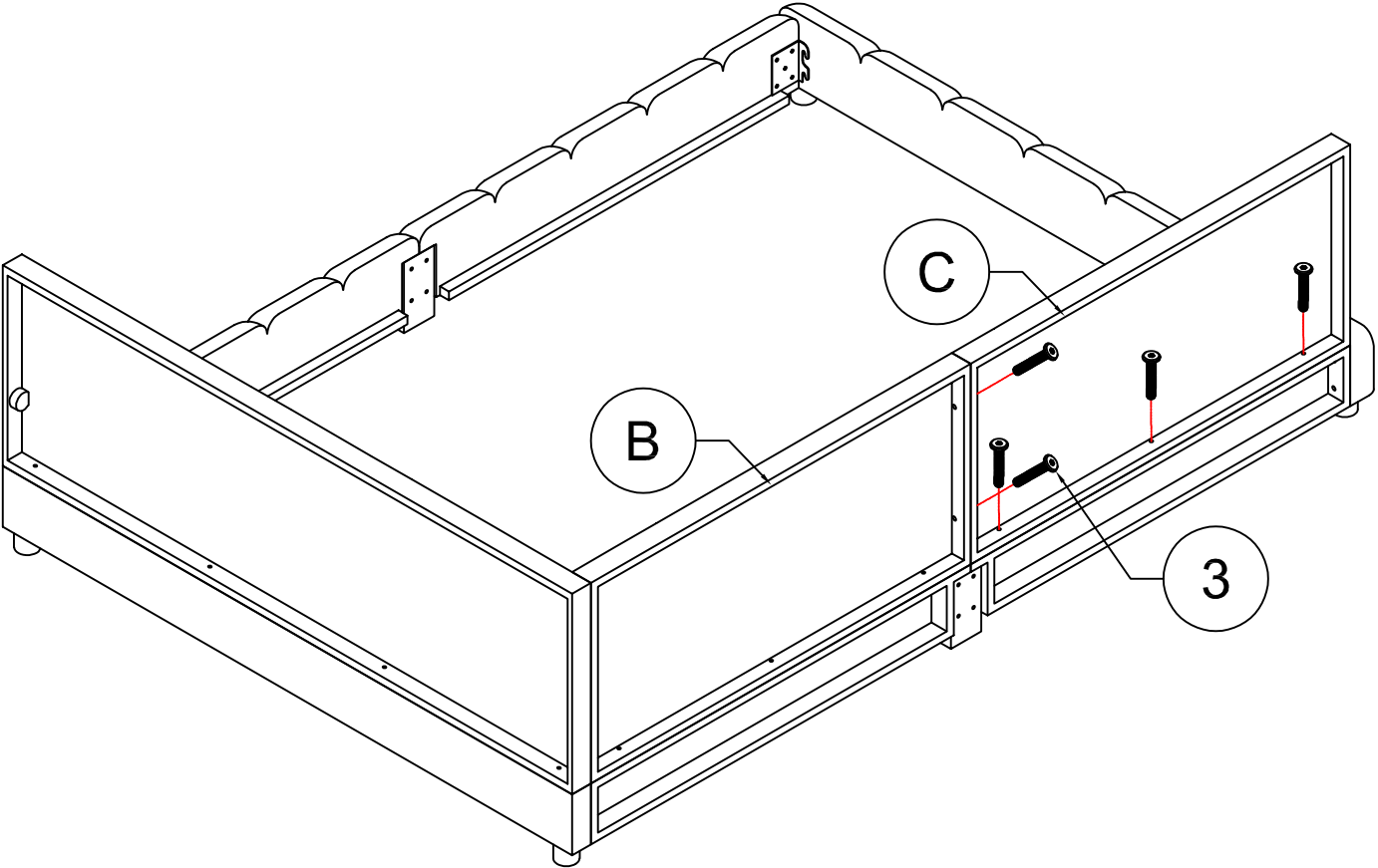
**STEP 6:** Following below illustration:

<b>3</b>

5pcs

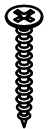


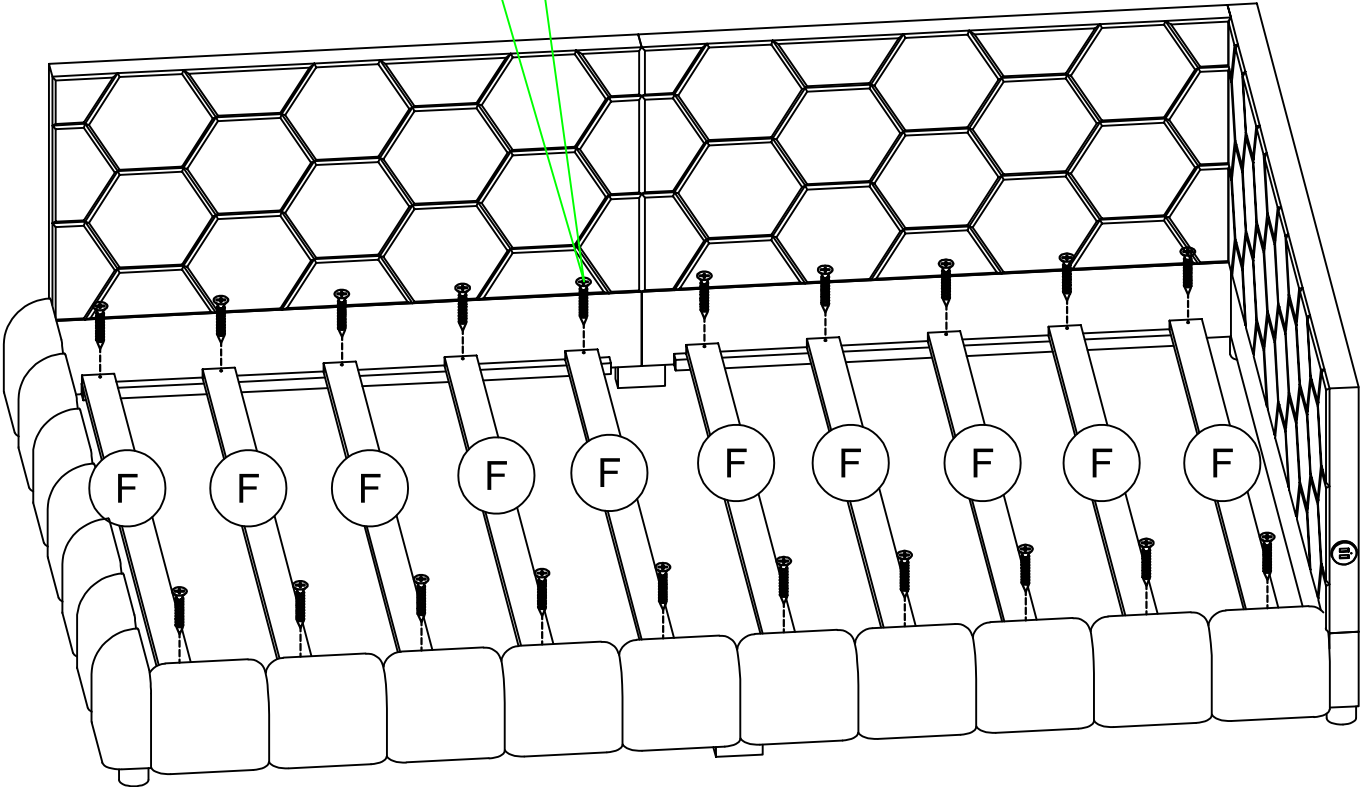
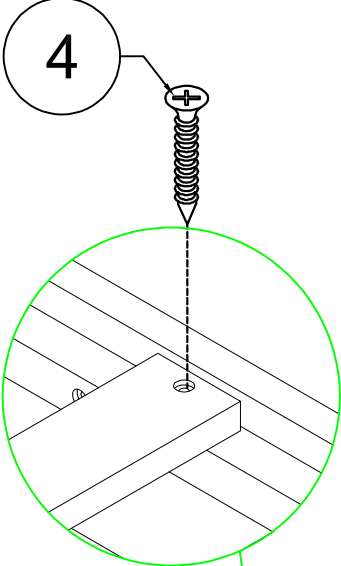
**STEP 7:** Following below illustration:

<b>3</b>

5pcs

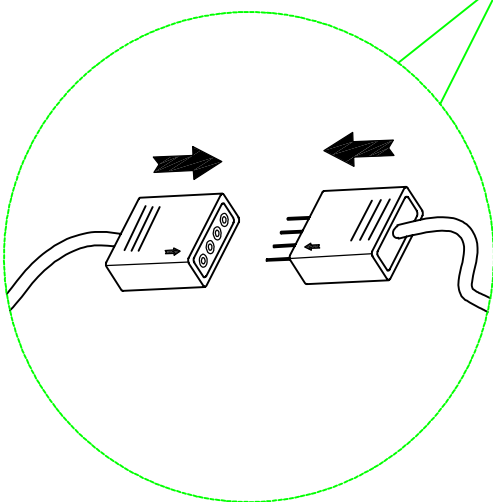
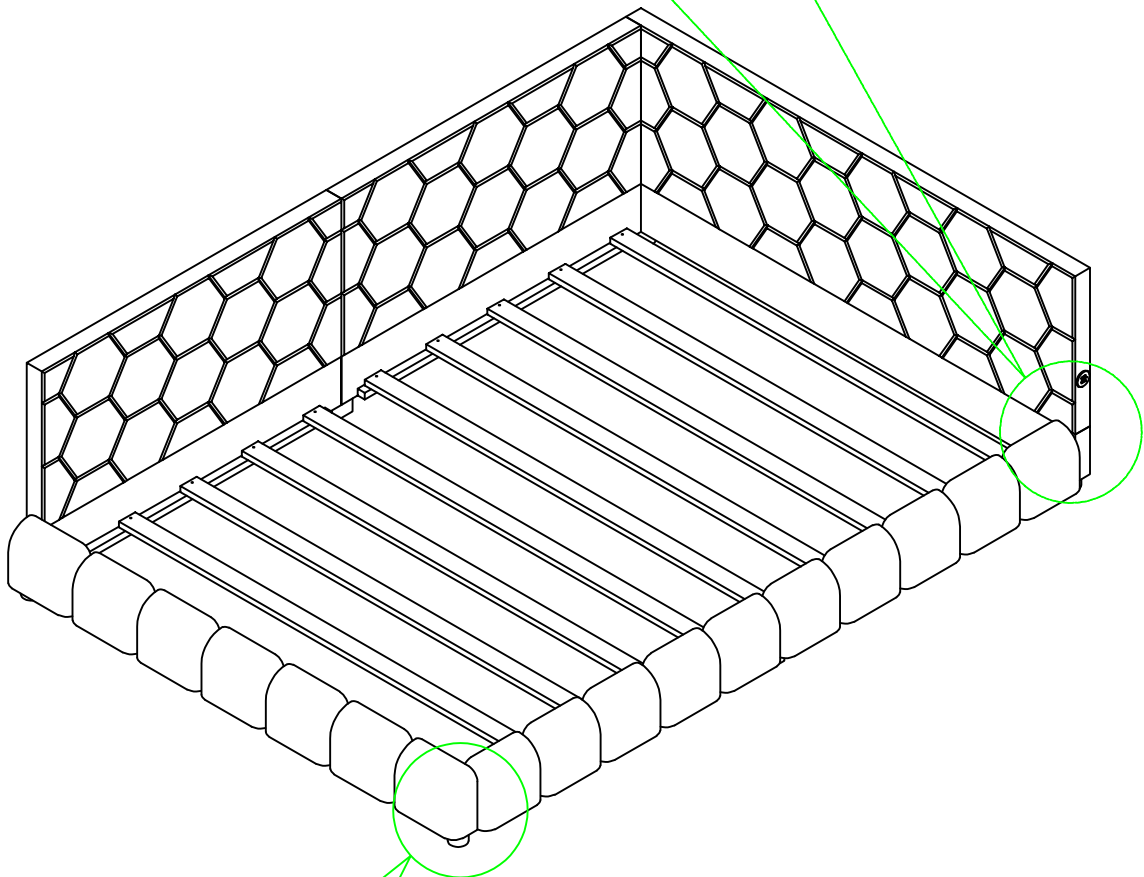
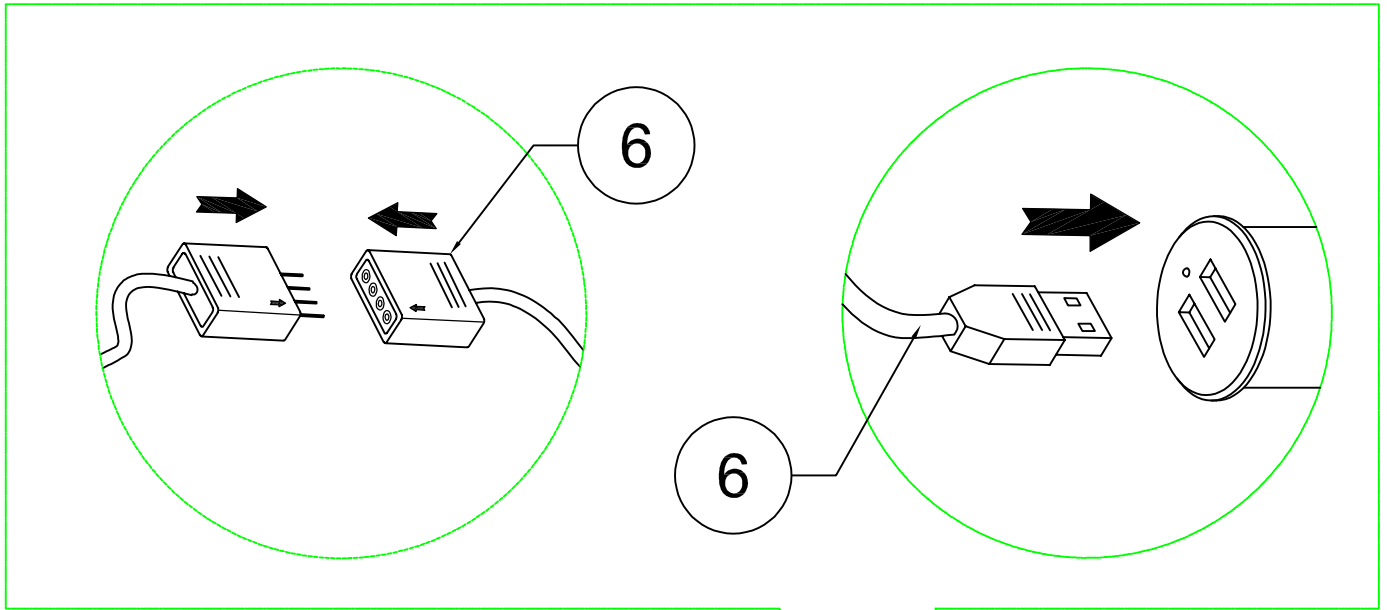


**STEP 8:** Following below illustration:

4	
20pcs	



# Instructions for connecting LED lights



# FINISH

