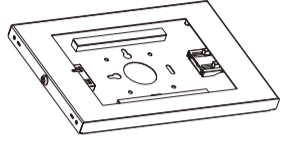
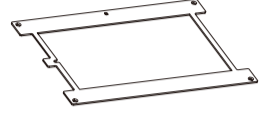
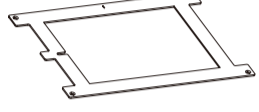

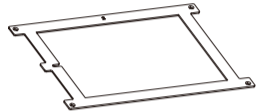
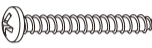
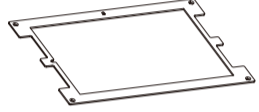

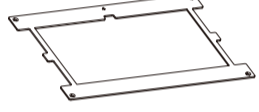

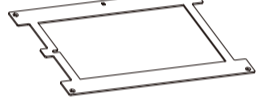
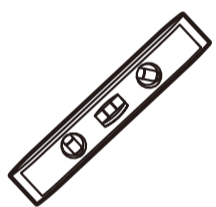

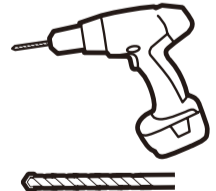

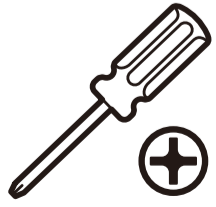
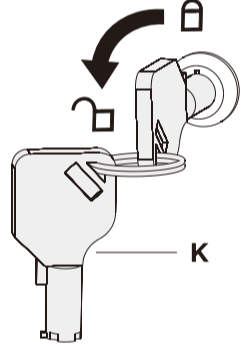
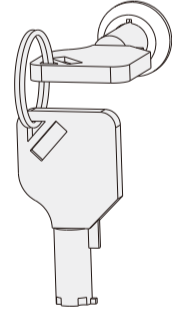
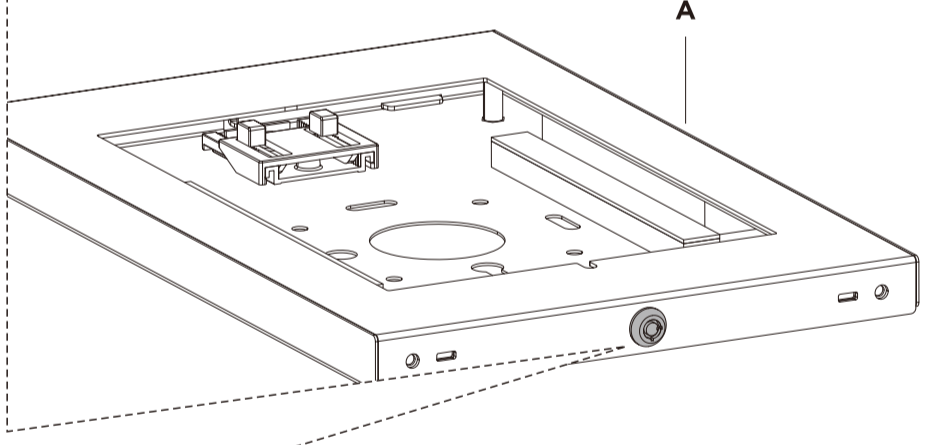
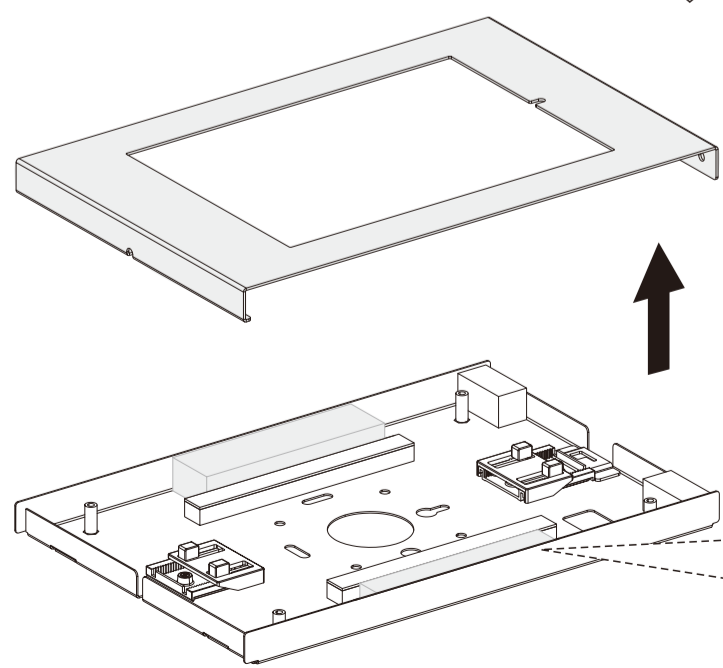


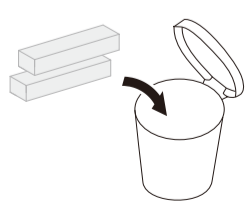
- EN** Anti-Theft Wall-Mounted Tablet Enclosure
- PL** Uchwyt do tabletu naścienny z blokadą
- DE** Wandmontiertes Anti-Diebstahl-Tablet-Gehäuse
- FR** Boîtier mural antivol pour tablette
- ES** Soporte de pared antirrobo para Tablet
- IT** Contenitore antifurto per tablet montato a parete

ITEM	DESCRIPTION	QUANTITY	ITEM	DESCRIPTION	QUANTITY
A	 enclosure	1	G	 panel 6	1
B	 panel 1	1	H	 M4x12	4
C	 panel 2	1	I	 ST4.8x30	4
D	 panel 3	1	J	 Ø6x30	4
E	 panel 4	1	K	 key	1
F	 panel 5	1			

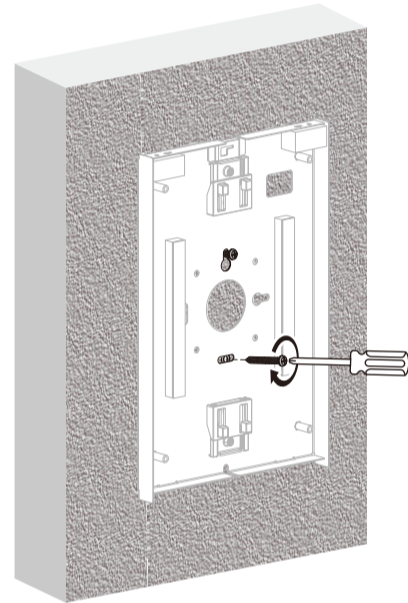
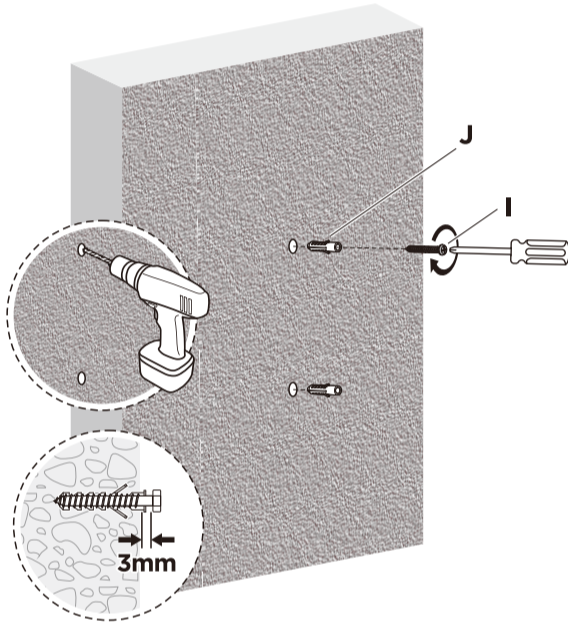
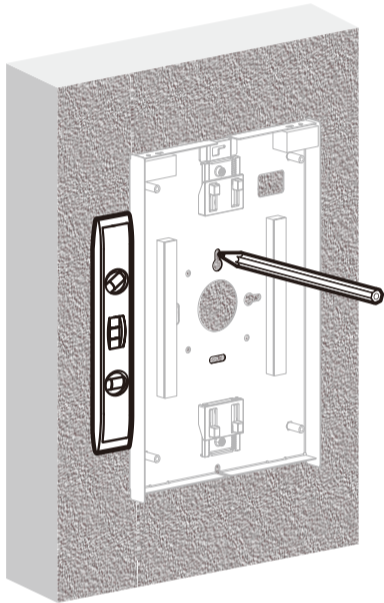
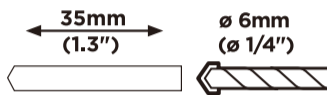
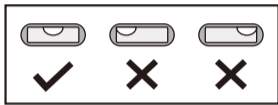
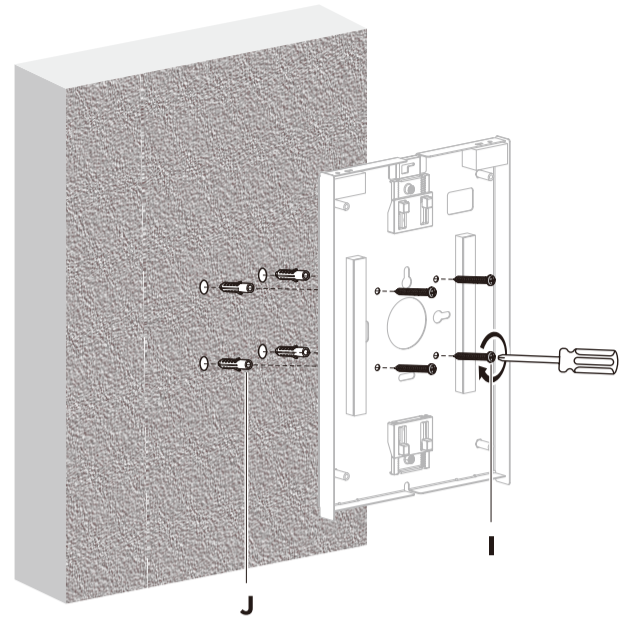
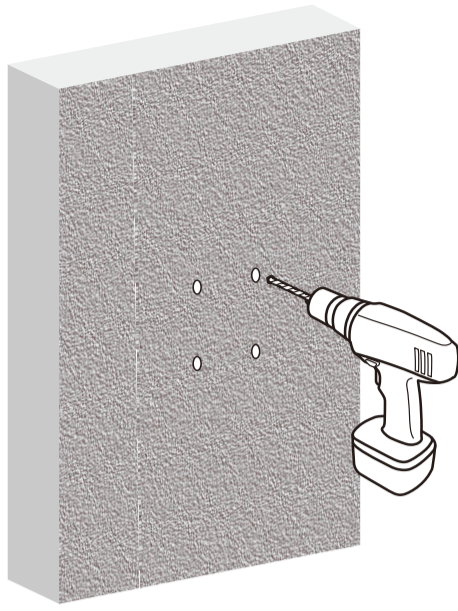
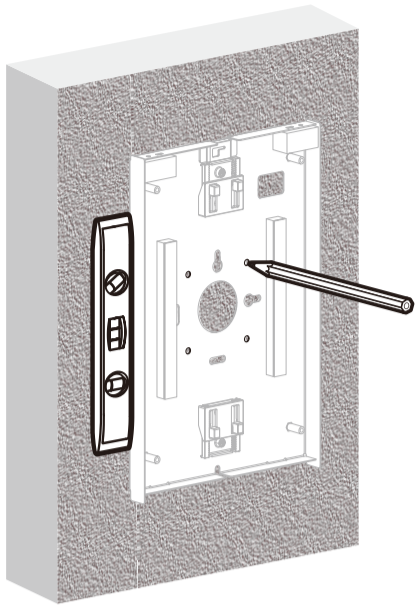
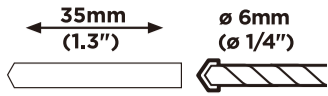
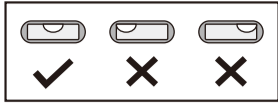






1

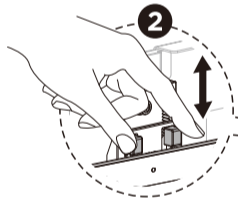
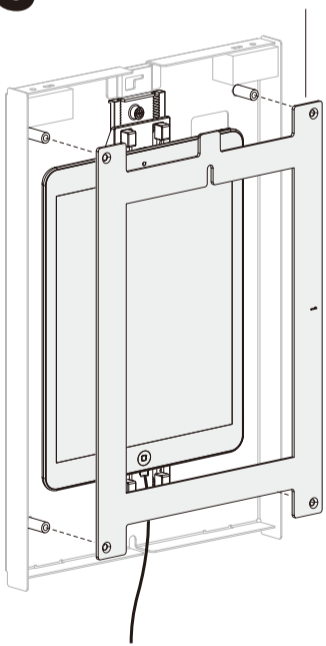







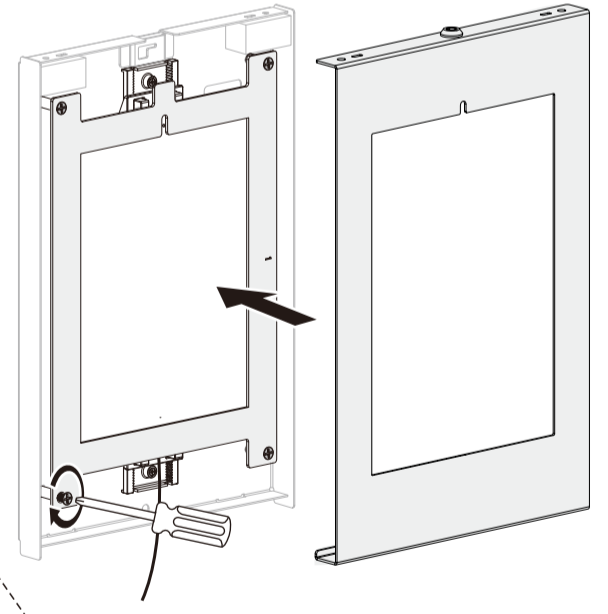
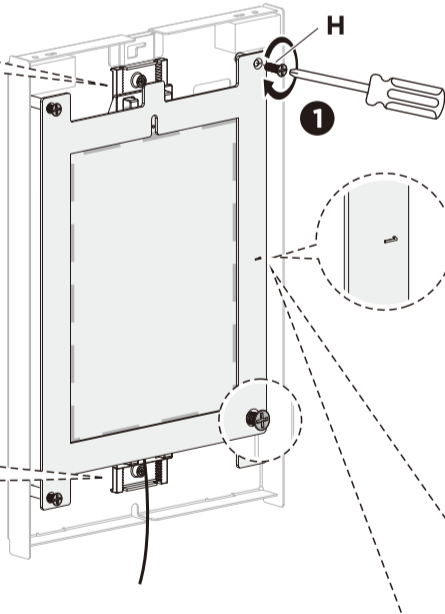
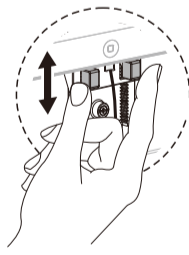
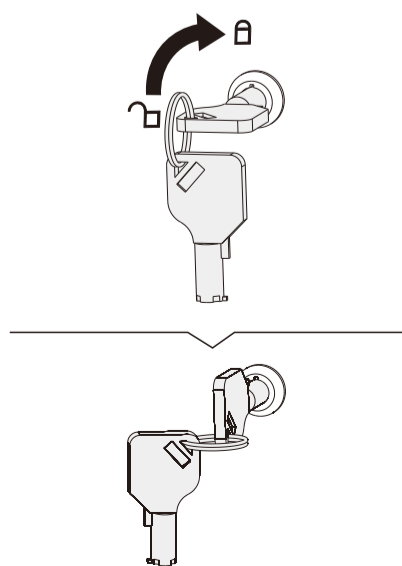
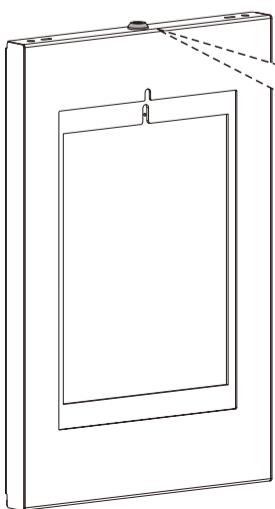
Note: Remove pearl cotton foam before installation.

2**3**

B/C/D/E/F/G



Attach the panel to the enclosure using four screws (H). Before completely tightening the screws adjust the two claws to hold the tablet and to ensure the screen is aligned and visible through the front panel.

**4**

Panel 1: For 9.7" iPad 5/6, iPad Air 1/2 & iPad Pro (Gen 1)

Panel 2: For 10.2" iPad 7/8/9 & 10.5" iPad Air 3, iPad Pro (Gen 2)

Panel 3: For 11" iPad Pro (Gen 3/4/5) & 10.9" iPad Air 4

Panel 4: For 10.4" Samsung Galaxy Tab A7

Panel 5: For 10.1" Samsung Galaxy Tab A

Panel 6: For 10.4" Samsung Galaxy Tab S6 Lite

Choose the corresponding panel according to the tablet.