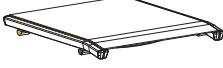

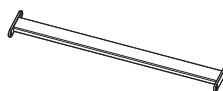









# STAPELHOCKER CHICAGO Art. Nr. 4422077

|   |   |     |
|---|---|-----|
|   |   |     |
| A |    | 1x  |
| B |    | 2x  |
| C |    | 2x  |
| D |    | 4x  |
| E |    | 8x  |
| F |   | 12x |
| G |  | 12x |
| H |  | 1x  |

