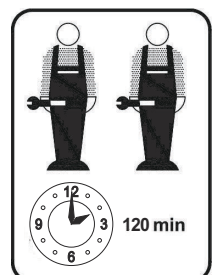
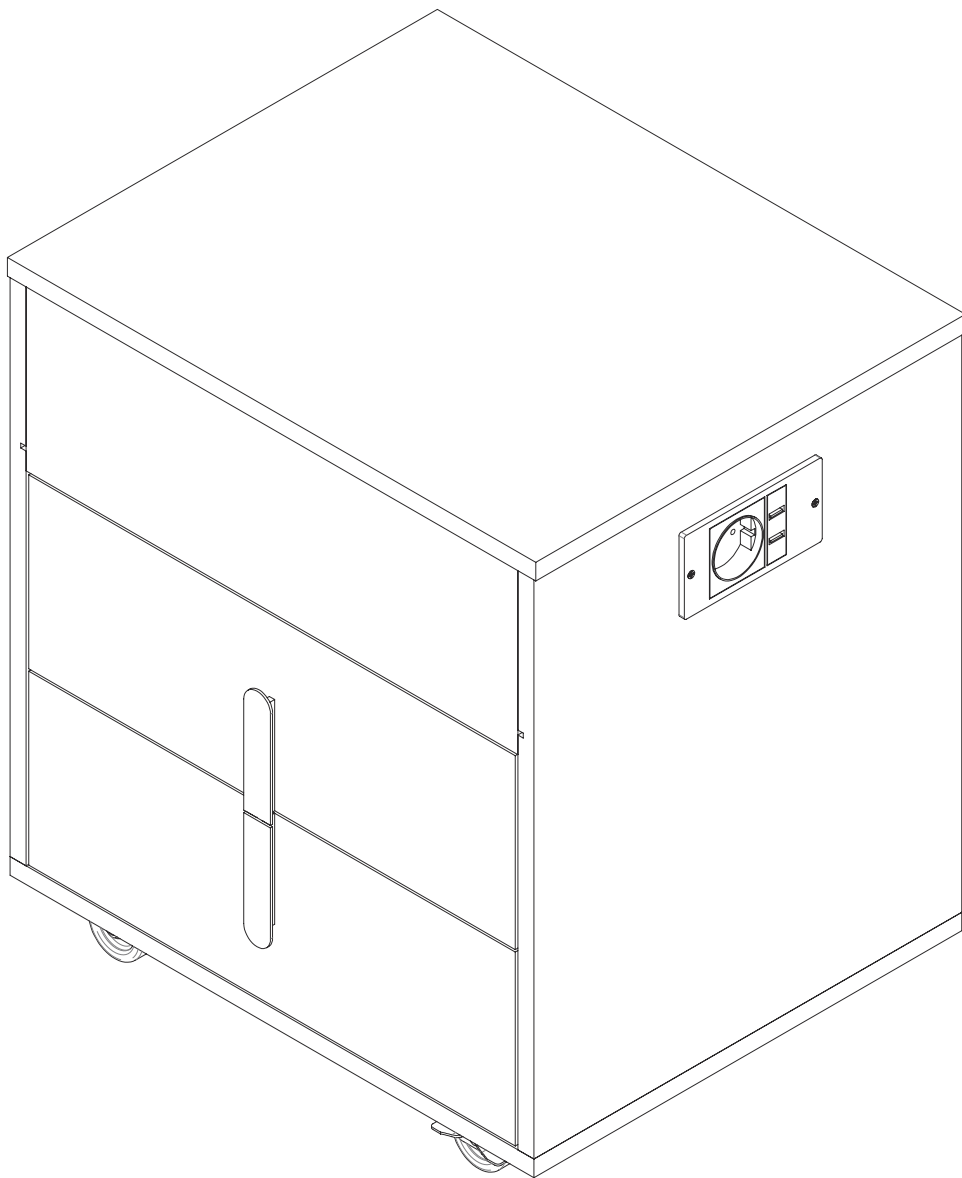


MONTAGEANLEITUNG

Artikelnummer: N634P185591

BEDSIDE TABLE



! SICHERHEITSWARNUNGEN !

1. Wir danken Ihnen für den Einkauf! Wir haben daran gearbeitet, Ihnen Produkte mit hoher Qualität anzubieten. Im seltenen Fall, dass Ihr Produkt beschädigt ist, Teile fehlen oder Sie auf Probleme bei der Montage stoßen, wenden Sie sich damit bitte an unseren Kundendienst, um die fehlenden Teile, die Montagevorschläge und die Garantieansprüche zu erreichen. Wir werden Ihnen die beste Lösung schnellstmöglich anbieten. Um Ihr Problem schneller zu lösen, bitte stellen Sie uns einige Bilder zur Verfügung, die das Produktproblem deutlich widerspiegeln können. Vielen Dank!
2. Setzen Sie die Schrauben vor Abschluss der Montage in die Löcher ein, ziehen Sie die Schrauben fest, aber nicht zu 100% festziehen. 70% sind in Ordnung. Schließlich, wenn es kein Problem mit der Montage gibt, dann ziehen Sie alle Schrauben zu 100% fest. Wenn Sie diese Probleme auftreten, Z.B. falls die Löcher nicht ausgerichtet werden können oder einige Teile nicht installiert werden können, überprüfen Sie bitte die Schrauben und stellen Sie die Dichtheit der Schrauben ein.
3. 2 Personen werden empfohlen, die Installation durchzuführen.

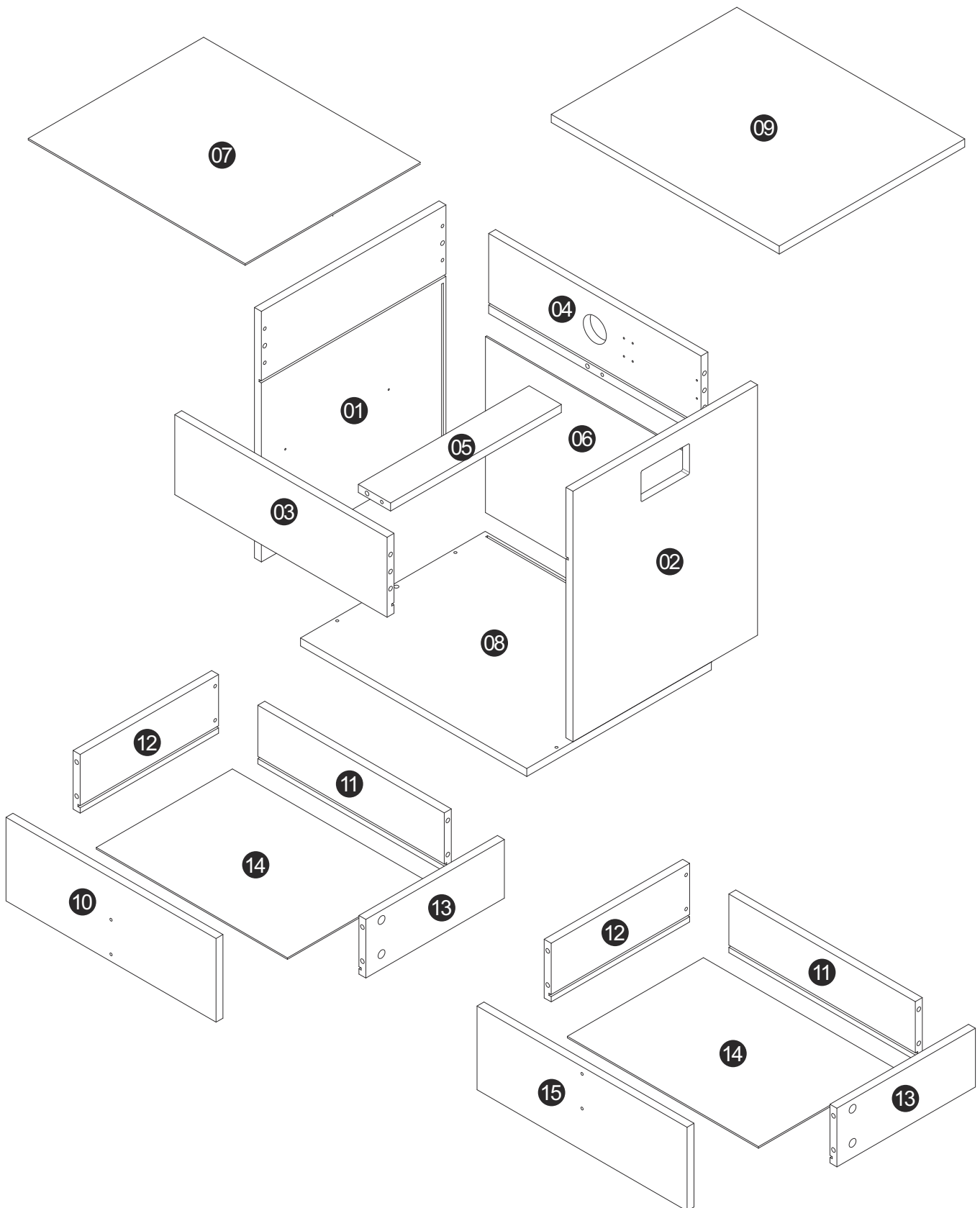
! SAFETY WARNINGS !

1. Please read the instructions fully before assembly. These instructions include important information which could ensure correct assembly. We have been working on providing high quality products for you. However, in the rare instance that your product is defective, missing parts or there are some issues, please don't hesitate to contact our customer service to submit parts requirements, assembly suggestion, or warranty claims, and we will give the best solution as soon as possible. If necessary, we need you to provide some more clear pictures of the issue.
2. Insert the screws in holes and tighten the screws, but not too tight, 70% is ok, finally tighten all the screws. If some issues happened that some screws can not target to the hole or some parts are difficult to install, please adjust the tightness of the screws.
3. 2 people are recommended to finish.

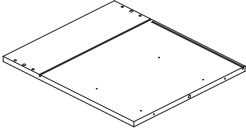
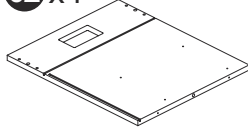
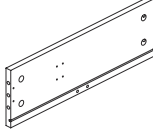
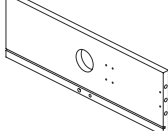
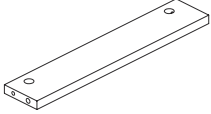
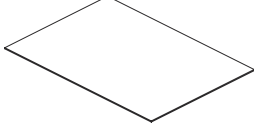
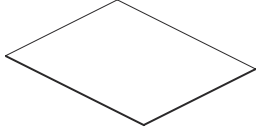
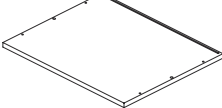
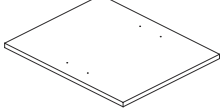
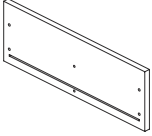
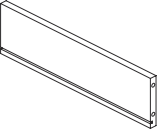
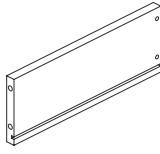
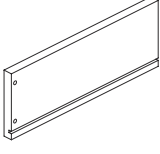
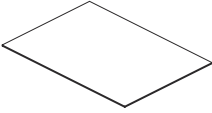
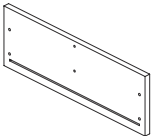
! AVERTISSEMENTS DE SÉCURITÉ !

1. Veuillez lire entièrement les instructions avant l'assemblage. Ces instructions comprennent des informations importantes ce qui pourrait assurer un assemblage correct. Nous nous sommes efforcés de fournir des produits de haute qualité pour vous. Cependant, dans les rares cas où votre produit est défectueux, il manque des pièces ou il y a des problèmes, n'hésitez pas à contacter notre service client pour soumettre les exigences en matière de pièces, d'assemblage ou des demandes de garantie, et nous vous donnerons la meilleure solution dans les plus brefs délais. Si nécessaire, nous avons besoin de fournir des images plus claires du problème.
2. Insérez les vis dans les trous et serrez les vis, mais pas trop serrées, 70% c'est ok, serrez enfin tout levissés. Si des problèmes se sont produits que certaines vis ne peuvent pas cibler le trou ou que certaines pièces sont difficiles pour l'installation, veuillez ajuster le serrage des vis.
3. Il est recommandé de 2 personnes pour terminer.

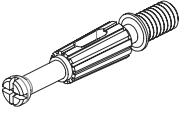
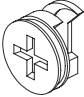
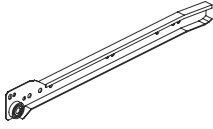
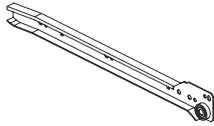
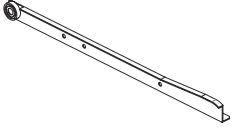
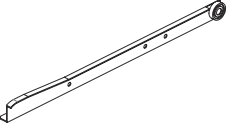
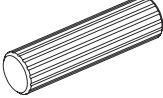
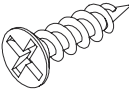
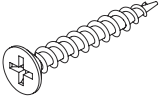

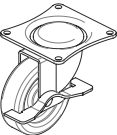

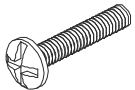
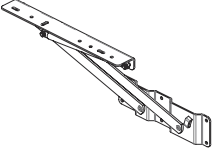
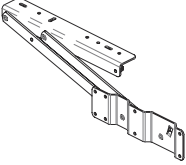
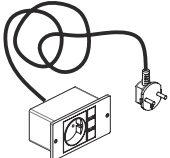
Stückliste



N634P185591

01 x1 	02 x1 	03 x1 	04 x1 	05 x1 
06 x1 	07 x1 	08 x1 	09 x1 	10 x1 
11 x2 	12 x2 	13 x2 	14 x2 	15 x1 

Hardware-liste

A x26 	B x26 	CL x2 	CR x2 	DL x2 
DR x2 	E x8  Φ 8x30	F x58  Φ 3.5x14mm	G x4  Φ 4x30mm	H x2 
J x2 	K x2 	L x4  M4x20mm	M x1 	N x1 
P x1 				

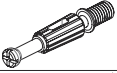

Wichtiger Hinweis:

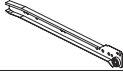


Bestätigen Sie bitte alle Komponenten und Schrauben vor der Montage. Bitte wenden Sie sich an uns, falls einige Teile oder Schrauben im Paket fehlt sind.

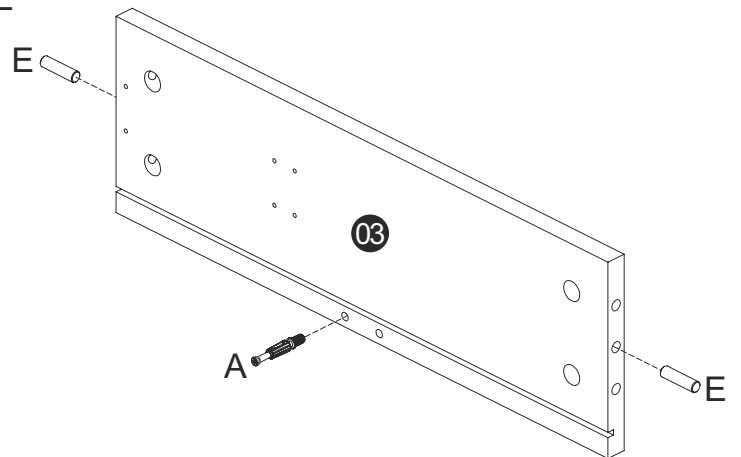
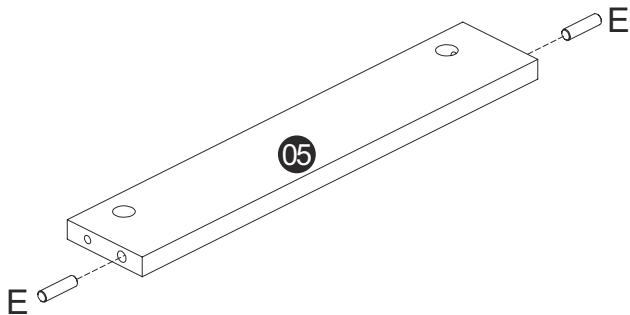
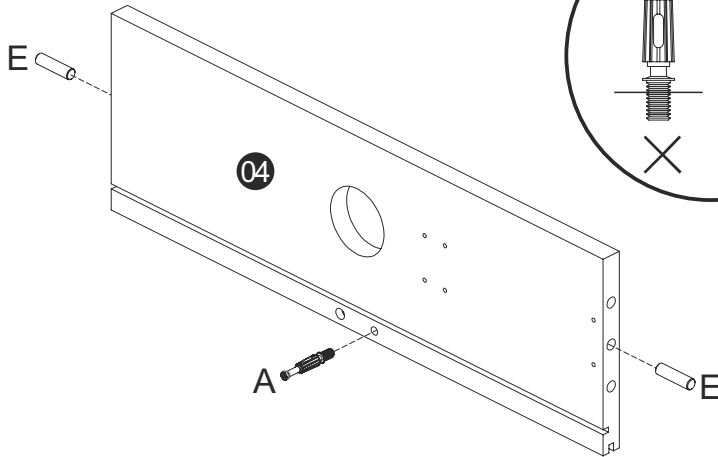
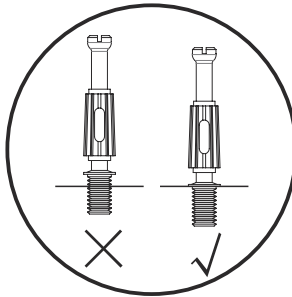
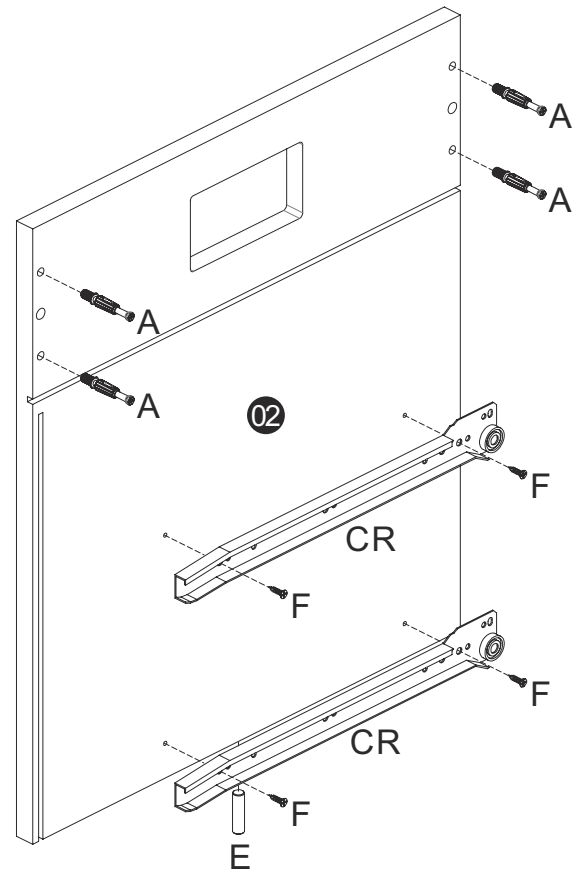
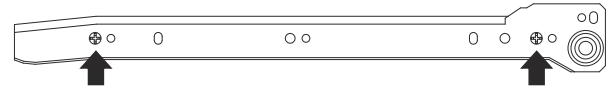
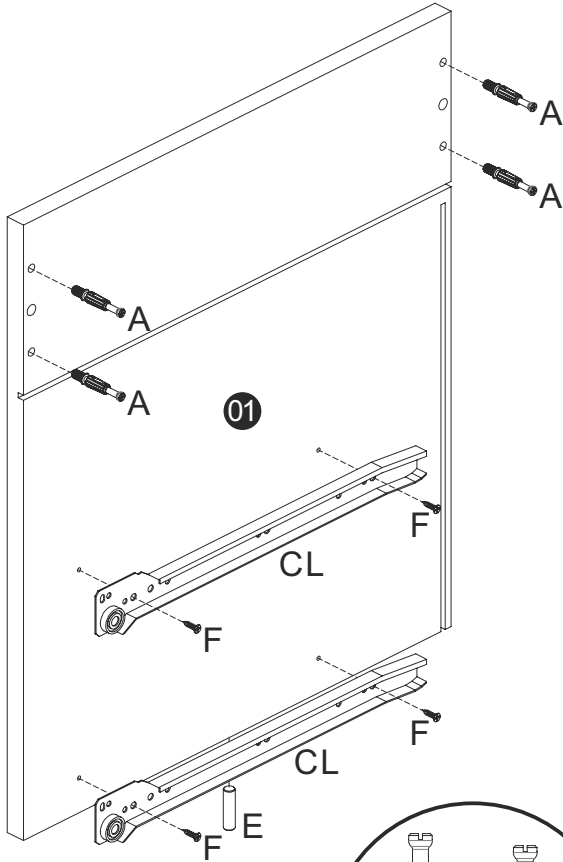
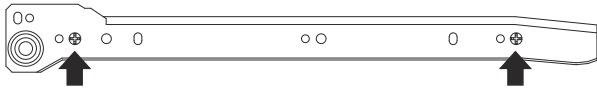
Remarque importante Veuillez confirmer tous les composants et vis avant le Assemblée. Veuillez nous contacter si des pièces ou des vis dans l'emballage sont manquantes.

Important note Please confirm all components and screws before the Assembly. Please contact us if any parts or screws in the package are missing.

Schritt 1

A		10
CL		2

CR		2
E	 $\Phi 8 \times 30$	8
F	 $\Phi 3.5 \times 14 \text{mm}$	8

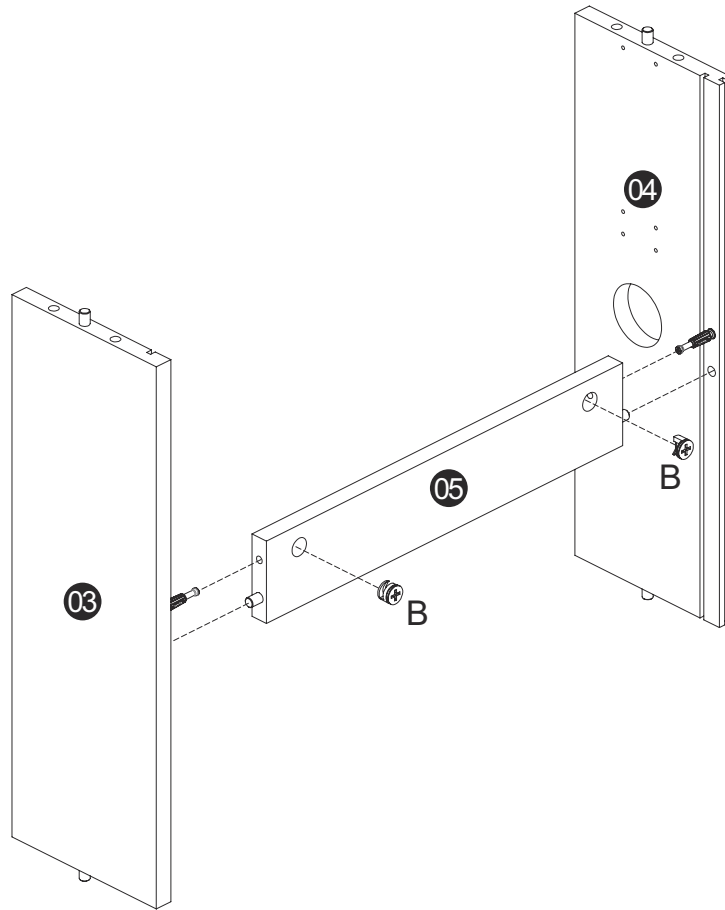


Schritt 2

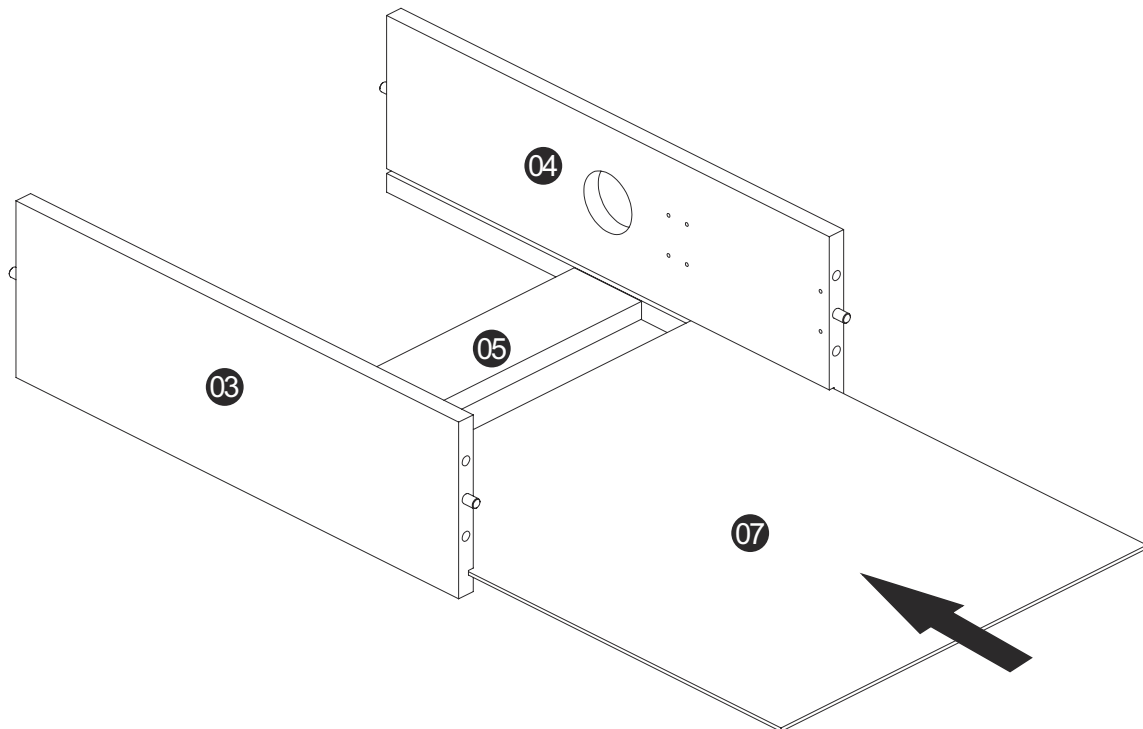
B



2



Schritt 3

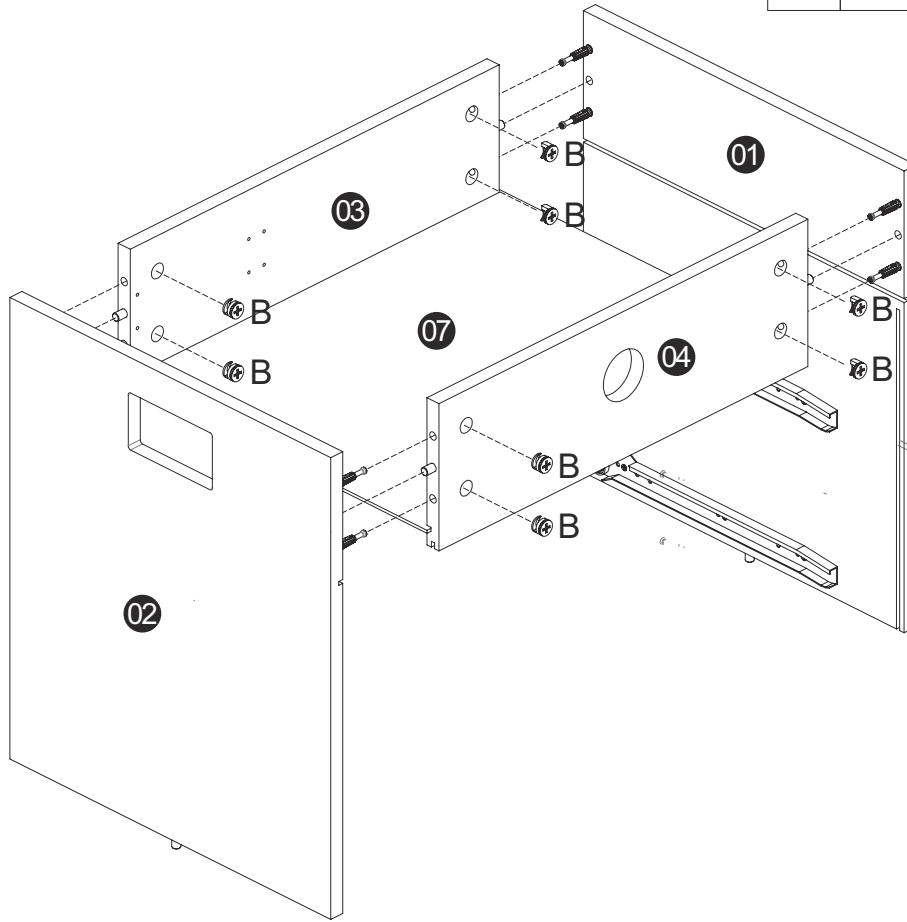


Schritt 4

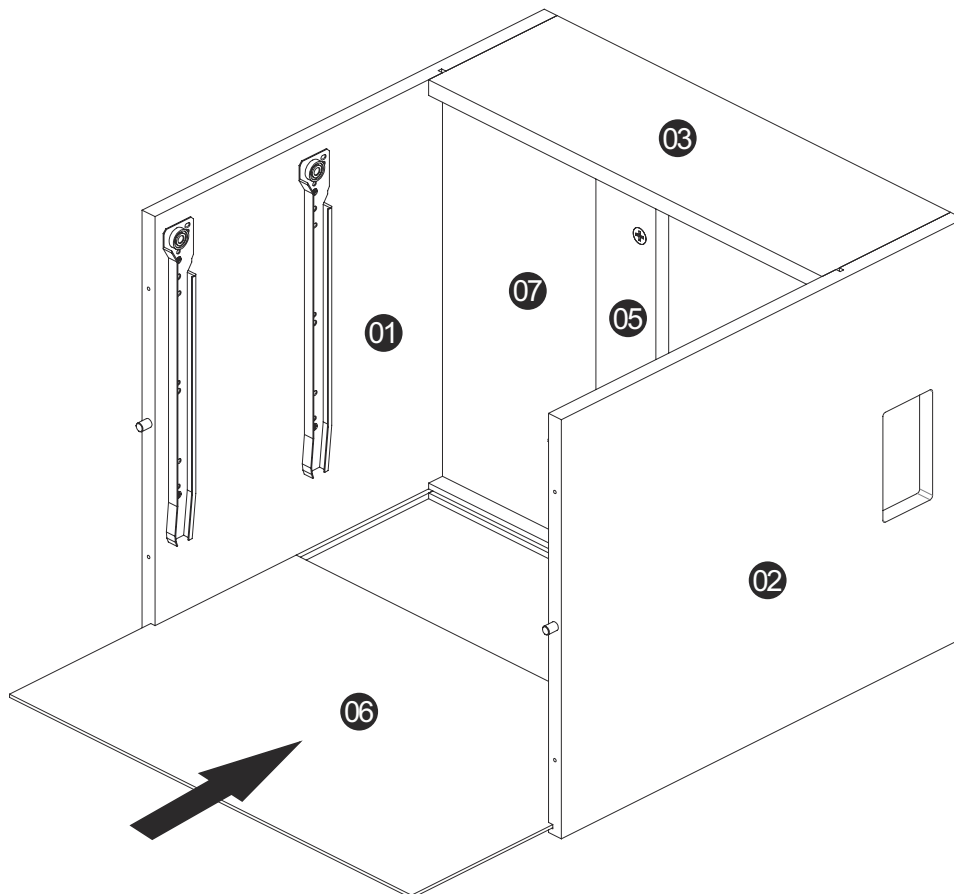
B



8

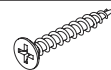


Schritt 5



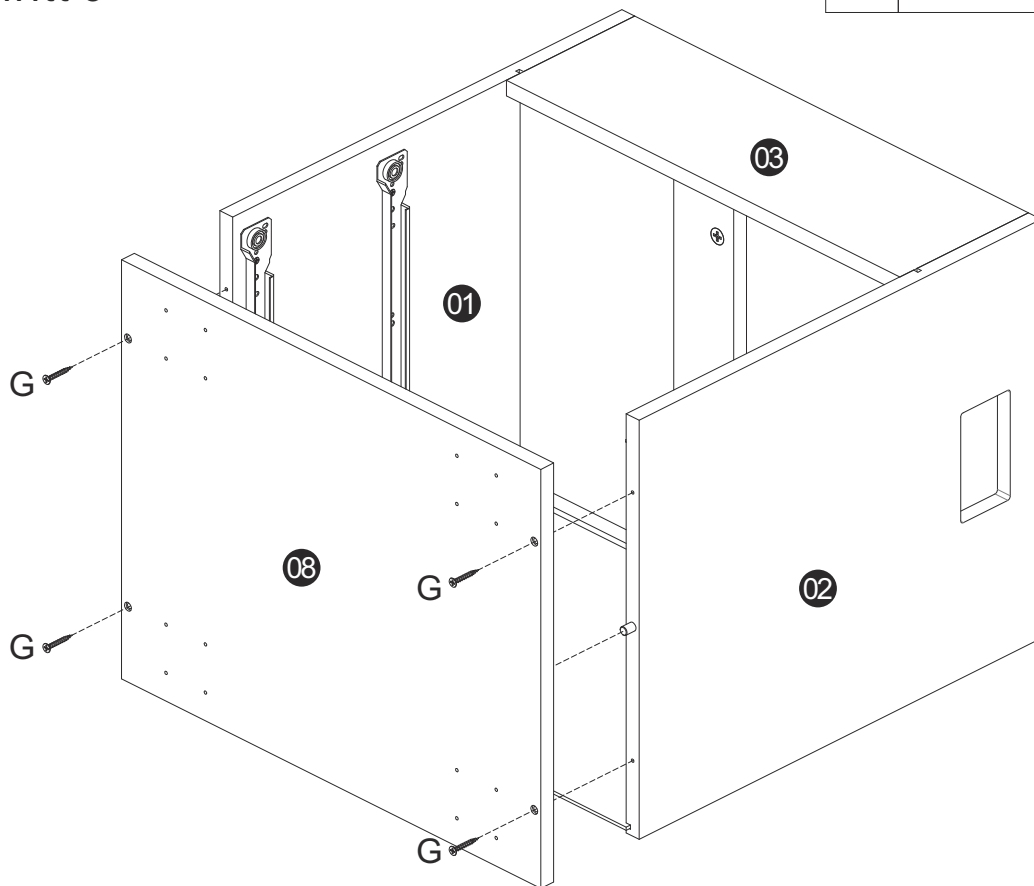
Schritt 6

G



Φ4x30mm

4



Schritt 7

F



Φ3.5x14mm

16

H

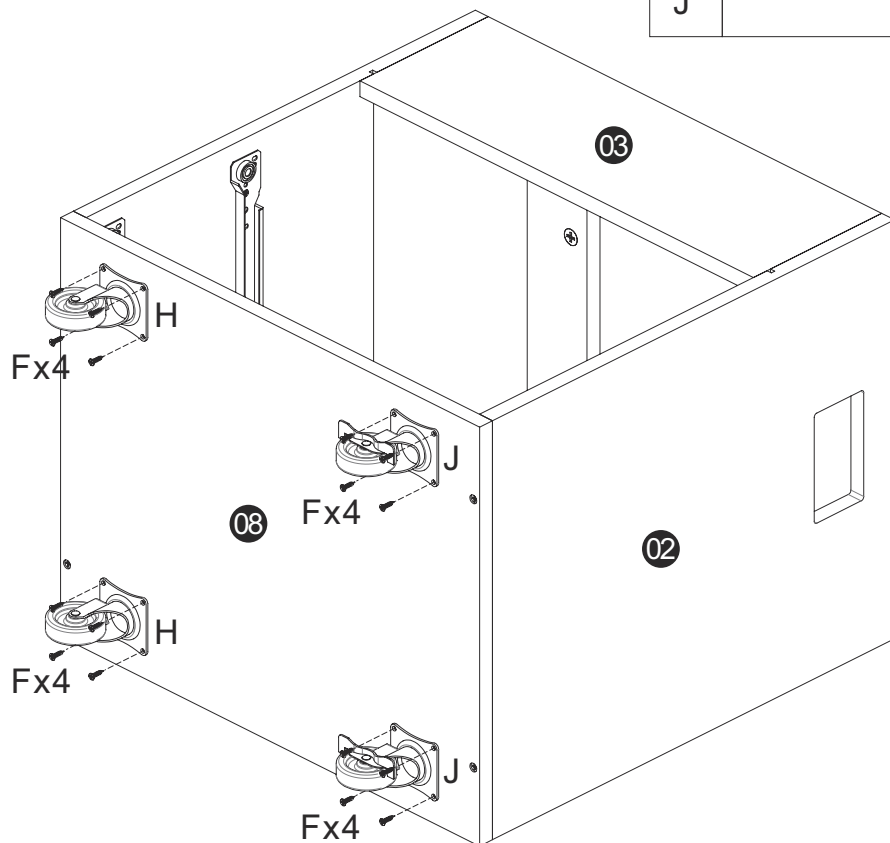


2


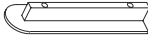
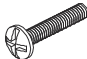
J

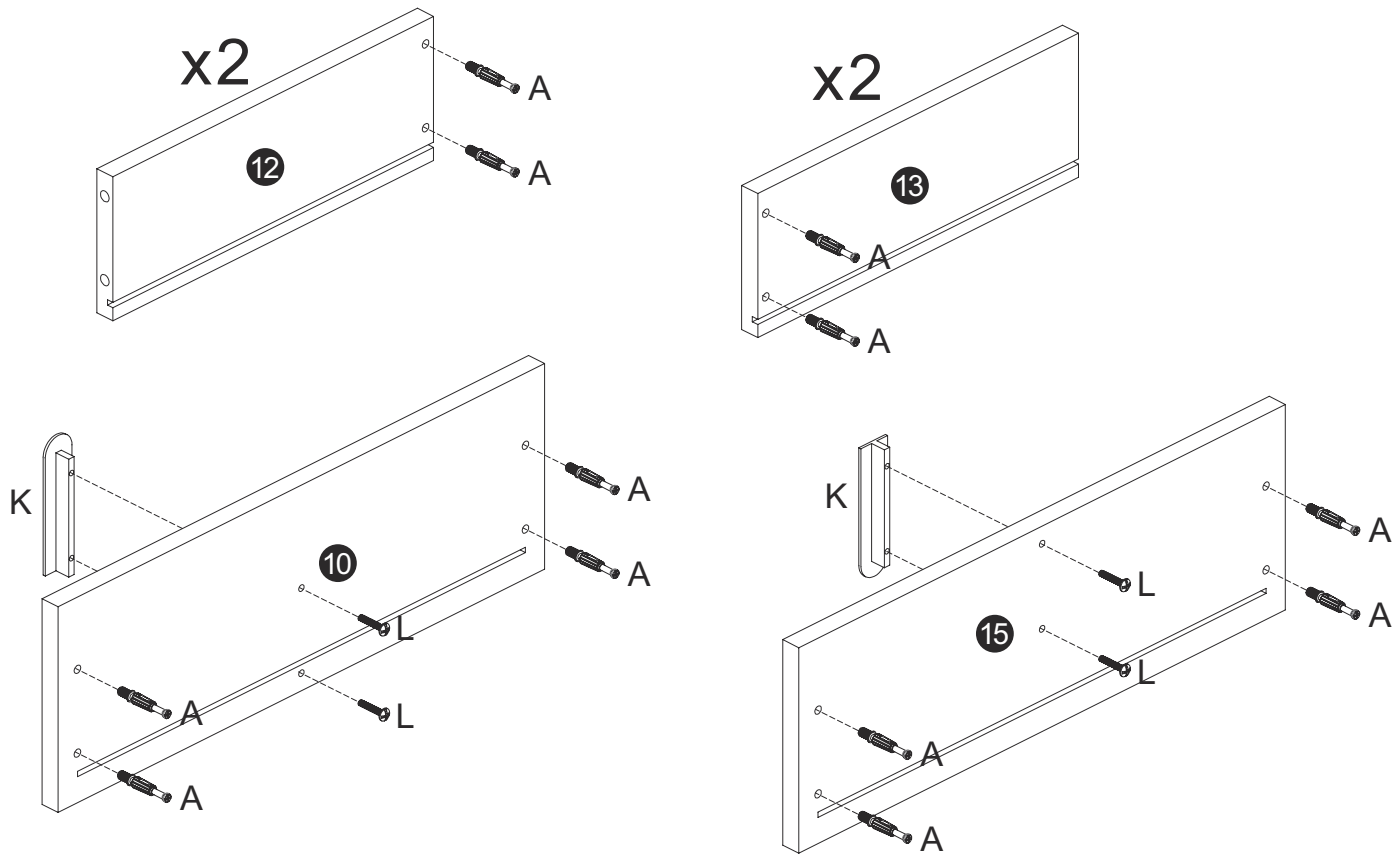


2




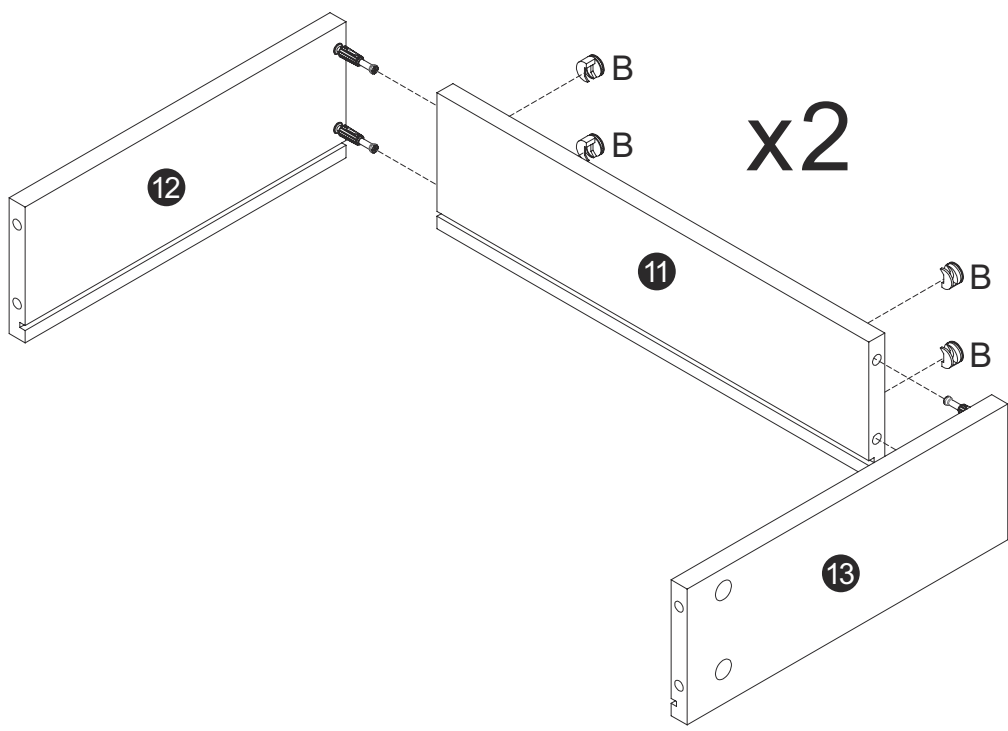
Schritt 8

A		16	K		2
			L	 M4x20mm	4

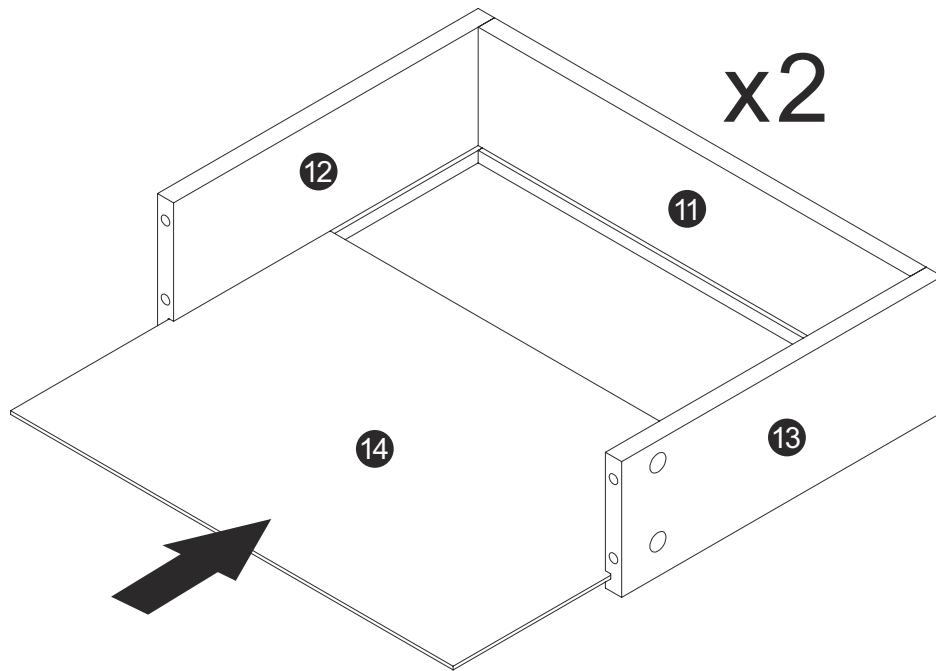


Schritt 9


B		8
---	---	---

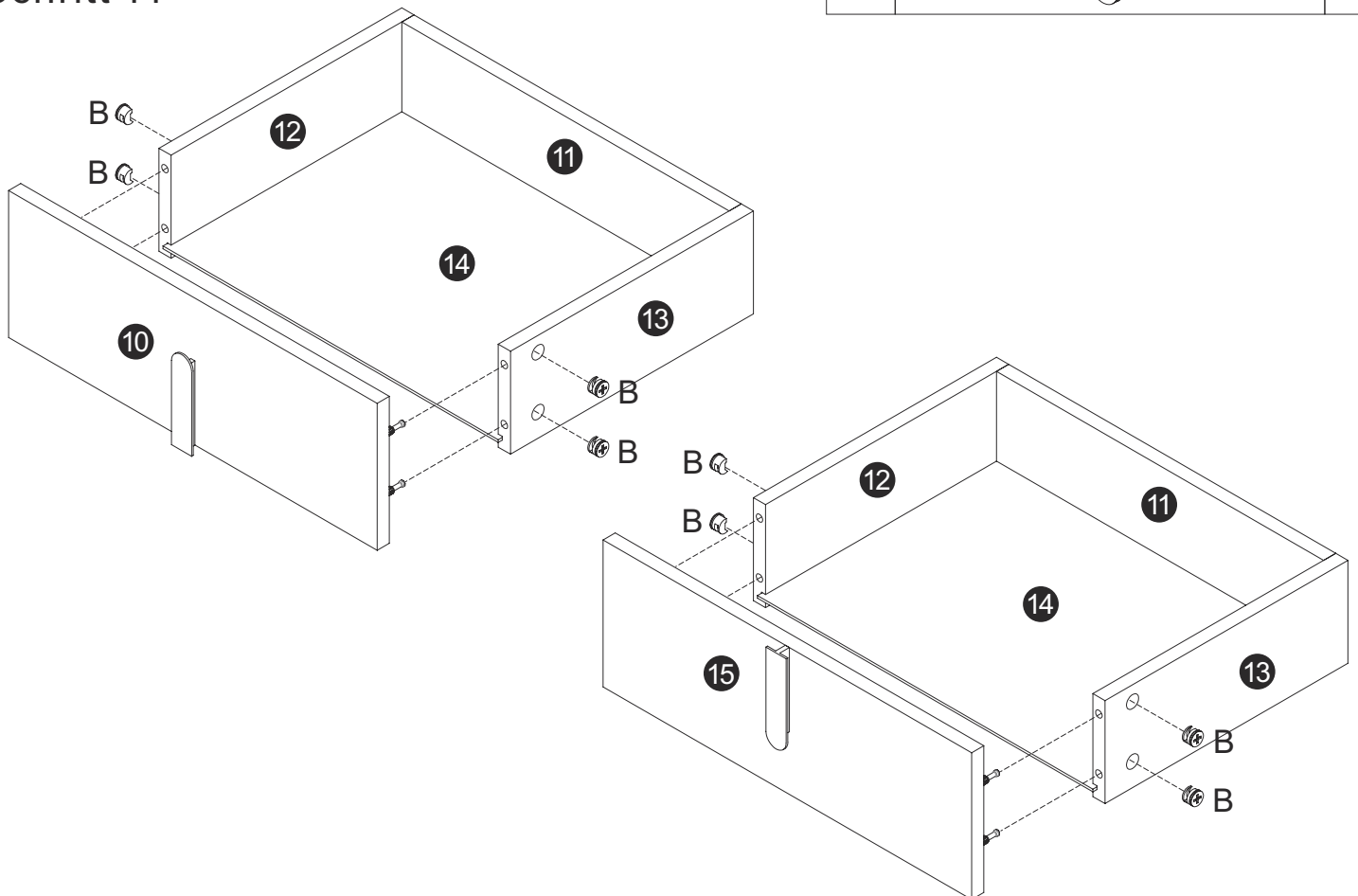


Schritt 10


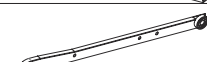
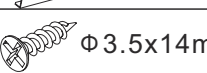


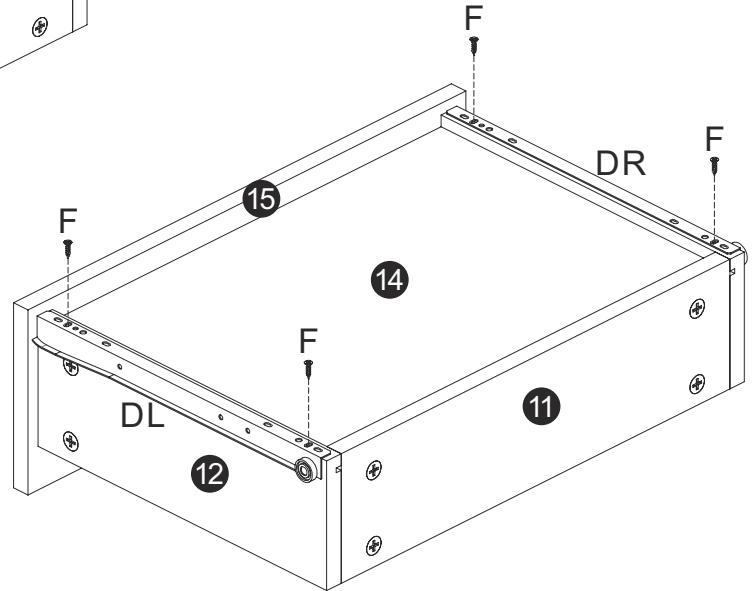
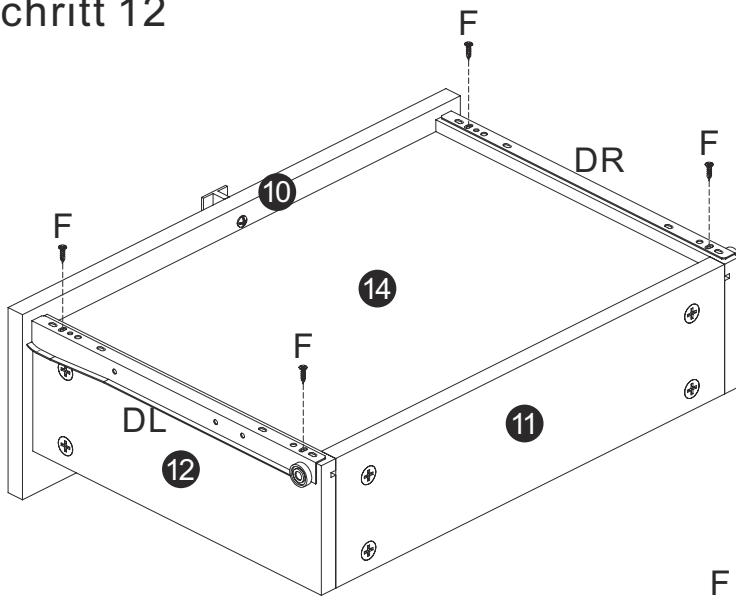
Schritt 11

B		8
---	---	---

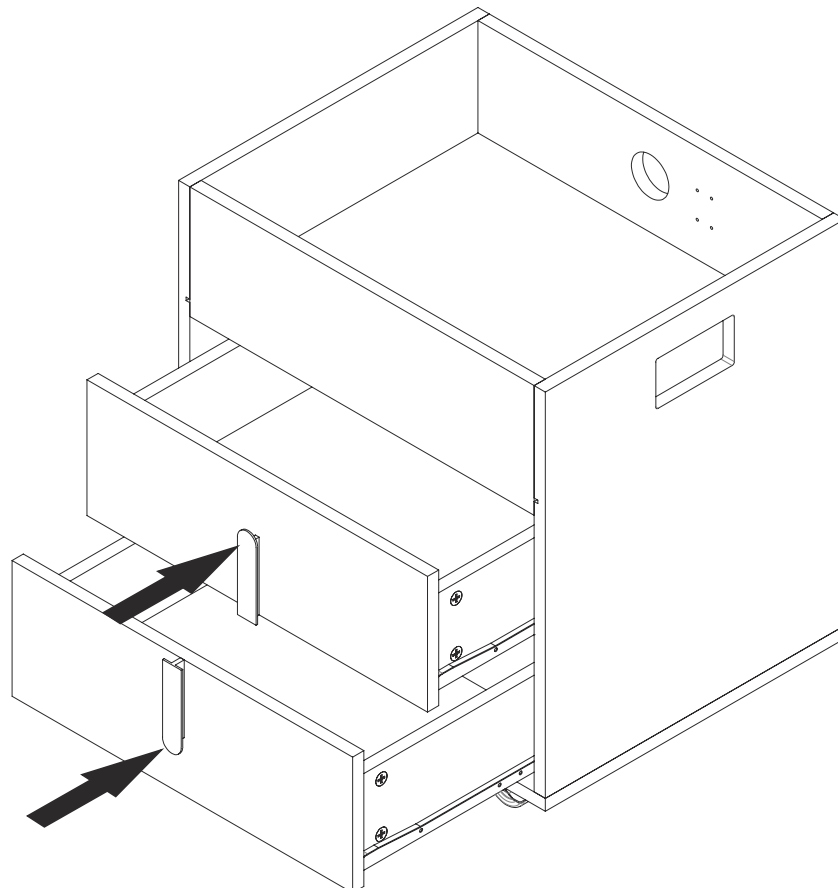


Schritt 12


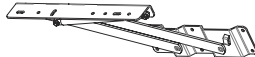

DL		2
DR		2
F	 $\phi 3.5 \times 14 \text{mm}$	8

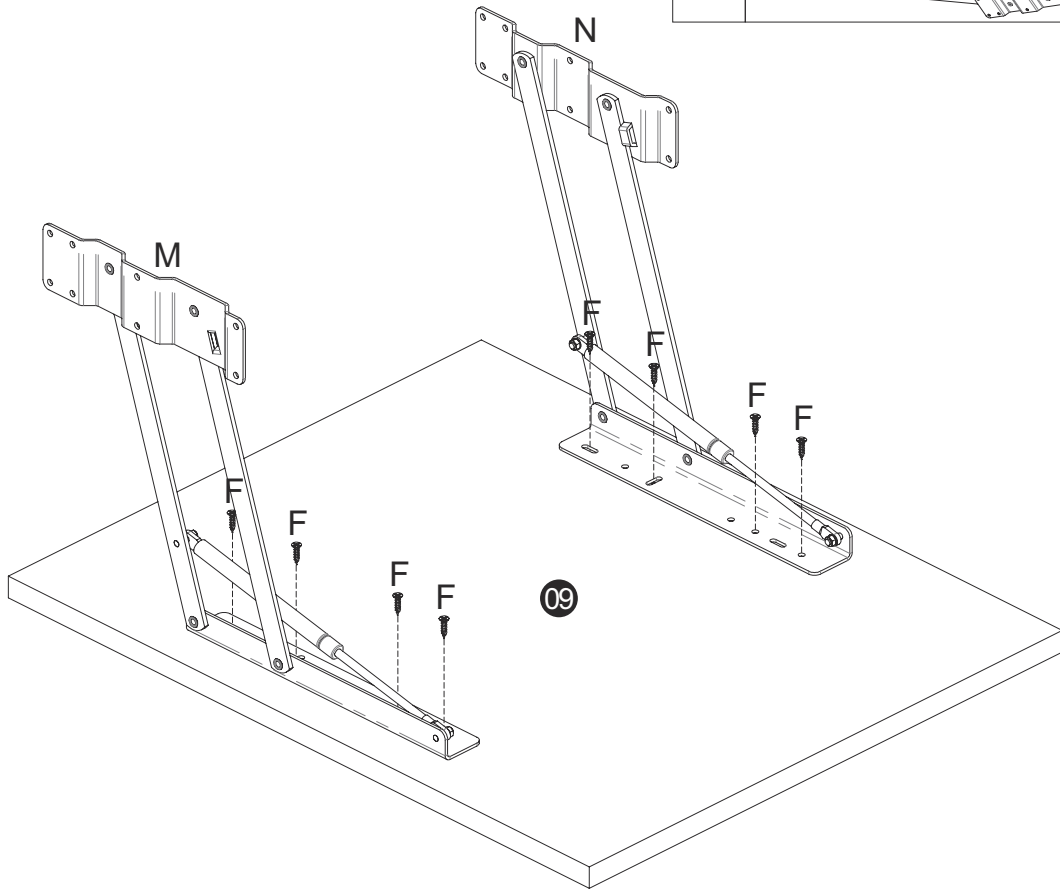


Schritt 13




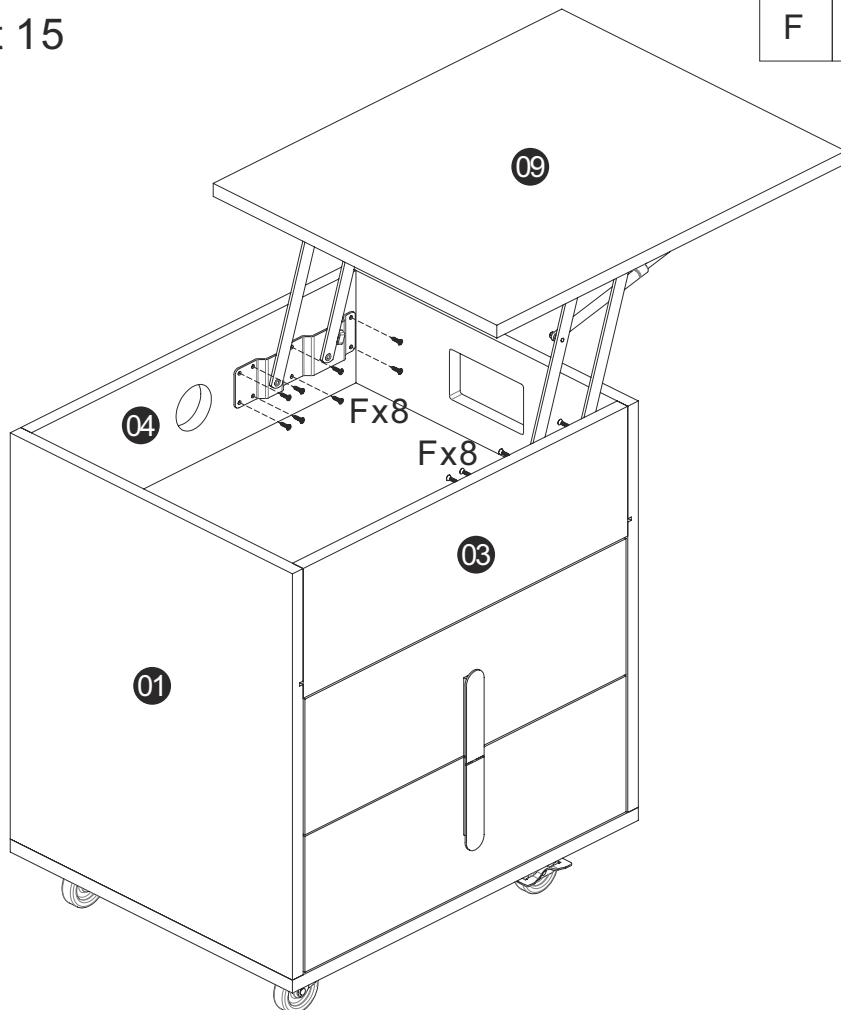
Schritt 14

F	 $\phi 3.5 \times 14 \text{mm}$	8	M		1
			N		1





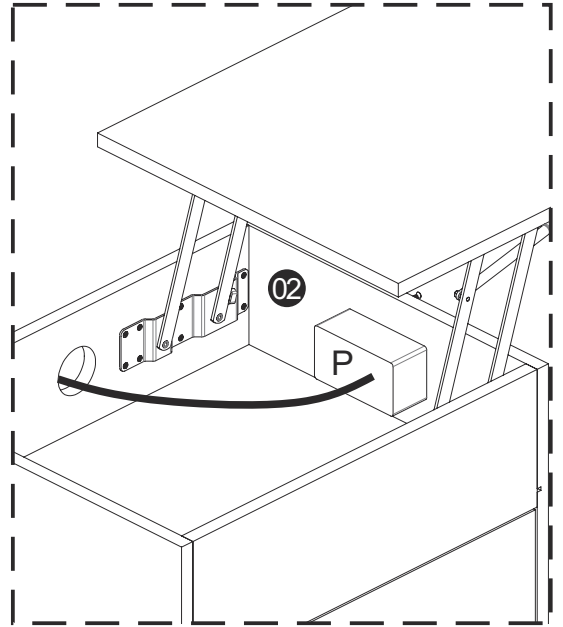
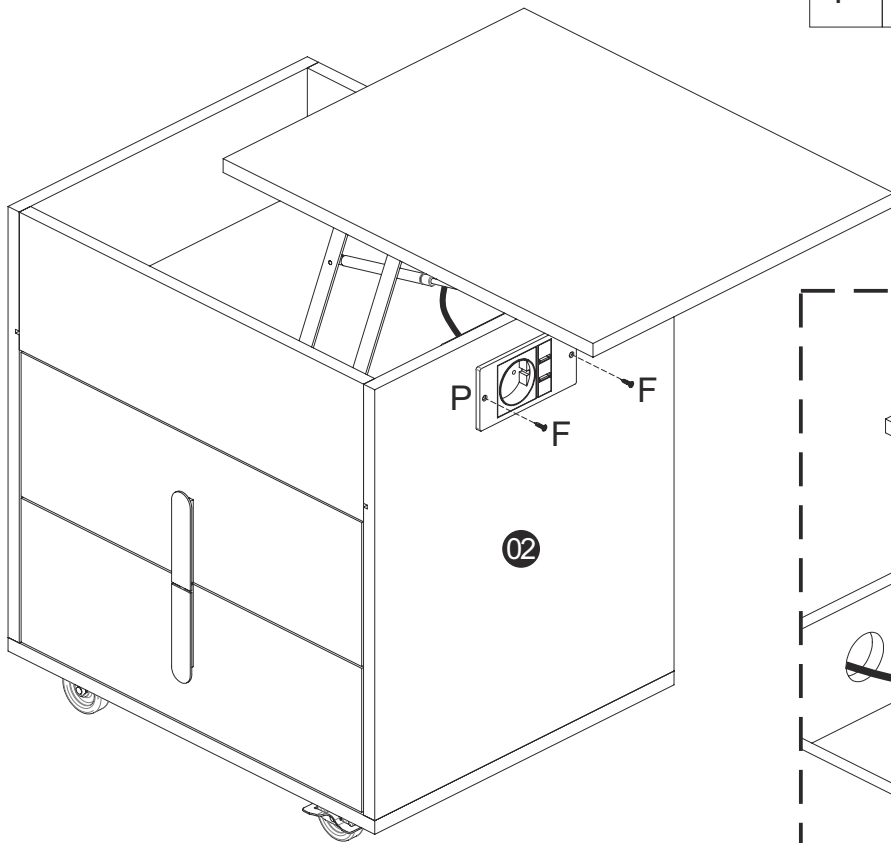
Schritt 15

F	 $\phi 3.5 \times 14 \text{mm}$	16
---	--	----

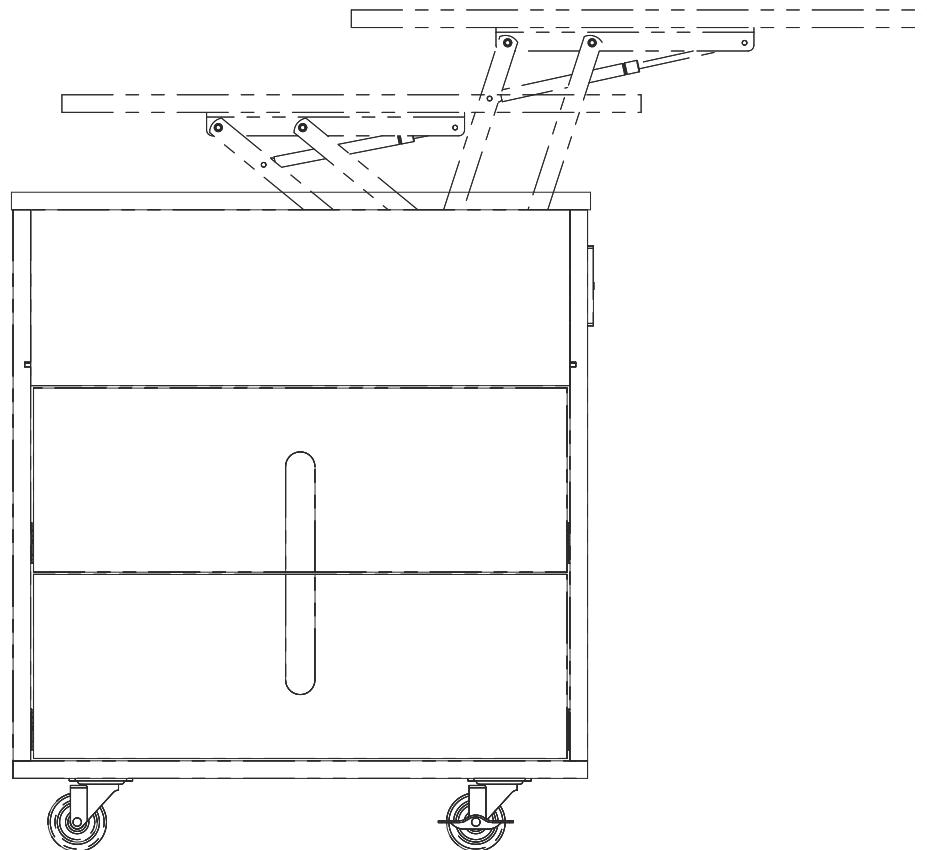


Schritt 16

F	 $\varnothing 3.5 \times 14 \text{mm}$	2
P		1



Schritt 17





Product Service

Attestation of Conformity

No. N8A 120613 0002 Rev. 00

Holder of Attestation: **DONGGUAN BAIYOU ELECTRONIC CO.,LTD**

2F A Building Wufeng Industrial, Jintan Road, Shijie Town
523290 Dongguan City
PEOPLE'S REPUBLIC OF CHINA

Product: **Multiple Socket Outlets**

This Attestation of Conformity is issued on a voluntary basis according to the Low Voltage Directive 2014/35/EU relating to electrical equipment designed for use within certain voltage limits. It confirms that the listed equipment complies with the principal protection requirements of the directive and is based on the technical specifications applicable at the time of issuance. It refers only to the particular sample submitted for conformity assessment. For details see: www.tuvsud.com/ps-cert

Test report no.: 874102337701-00

Date, 2023-09-06

(Jie Zhu)

Page 1 of 3

This Attestation does not replace the regulatory EU Declaration of Conformity (DoC) and does not allow for CE marking. After preparation of the necessary documentation and establishing compliance to requirements of all applicable directives, the manufacturer may sign a DoC and apply the CE marking. The DoC is issued under the sole responsibility of the manufacturer.



TUV®



Product Service

Attestation of Conformity

No. N8A 120613 0002 Rev. 00

Model(s): BY213-G011Y, BY213-G011Y-C,
BY213-G021Y, BY213-G021Y-C,
BY213-G031Y, BY213-G031Y-C,
BY213-G041Y, BY213-G041Y-C

Parameters:

Rated voltage: 250V~
Rated frequency: 50Hz
Rated current: 16A
Protection class: I
Degree of protection: IP20
Type of cable: H05VV-F 3G1.0mm² or H05VV-F 3G1.5mm²
Remark: For BY213-G011Y, BY213-G021Y,
BY213-G031Y, BY213-G041Y:
USB rated output voltage:5.0VDC
USB rated output current:
Single Type A: 2.1A max
Type A + Type A: 2.1A max

For BY213-G011Y-C, BY213-G021Y-C,
BY213-G031Y-C, BY213-G041Y-C:
USB rated output voltage:5.0VDC
USB rated output current:
Single Type A: 3.0A max
Single Type C: 3.0A max
Type A + Type C: 3.1A max
USB rated output voltage:9.0VDC
USB rated output current:
Single Type A: 2.0A max
Single Type C: 2.22A max
USB rated output voltage:12.0VDC
USB rated output current:
Single Type A:1.5A max
Single Type C: 1.67A max

Page 2 of 3

This Attestation does not replace the regulatory EU Declaration of Conformity (DoC) and does not allow for CE marking. After preparation of the necessary documentation and establishing compliance to requirements of all applicable directives, the manufacturer may sign a DoC and apply the CE marking. The DoC is issued under the sole responsibility of the manufacturer.



TUV®



Product Service

Attestation of Conformity

No. N8A 120613 0002 Rev. 00

Model	Number of socket-outlets	With two USB ports, type A +type A	With two USB ports, type A +type C
BY213-G011Y	1	Yes	No
BY213-G011Y-C	1	No	Yes
BY213-G021Y	2	Yes	No
BY213-G021Y-C	2	No	Yes
BY213-G031Y	3	Yes	No
BY213-G031Y-C	3	No	Yes
BY213-G041Y	4	Yes	No
BY213-G041Y-C	4	No	Yes

Tested according to:

IEC 60884-1:2002
 IEC 60884-1:2002/AMD1:2006
 IEC 60884-1:2002/AMD2:2013
 IEC 60884-2-7:2011
 IEC 60884-2-7:2011/AMD1:2013
 SS 428 08 34:2013/T1:2018

Page 3 of 3

This Attestation does not replace the regulatory EU Declaration of Conformity (DoC) and does not allow for CE marking. After preparation of the necessary documentation and establishing compliance to requirements of all applicable directives, the manufacturer may sign a DoC and apply the CE marking. The DoC is issued under the sole responsibility of the manufacturer.

