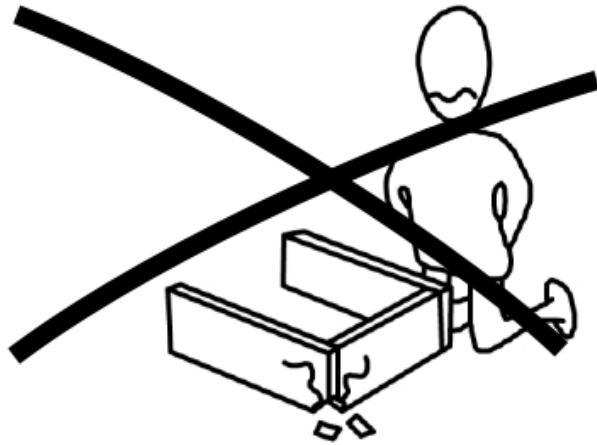
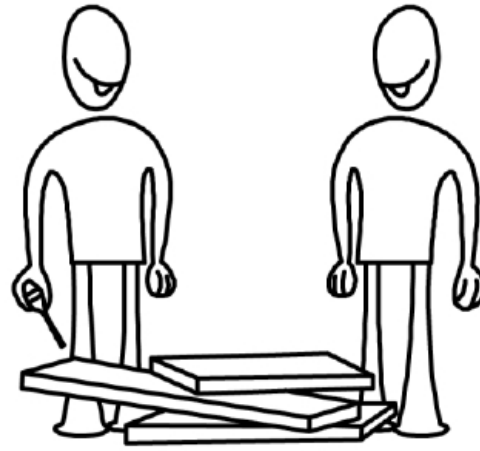


Assembly Instructions Smart Bunkbed





Parts list:

01- Left Side Plate Of The Bunk

02- Down Back Board

03-Up Back Board

04-Right Side Plate (Front Side)

05-Left Side Plate (Back Side)

06-Railing

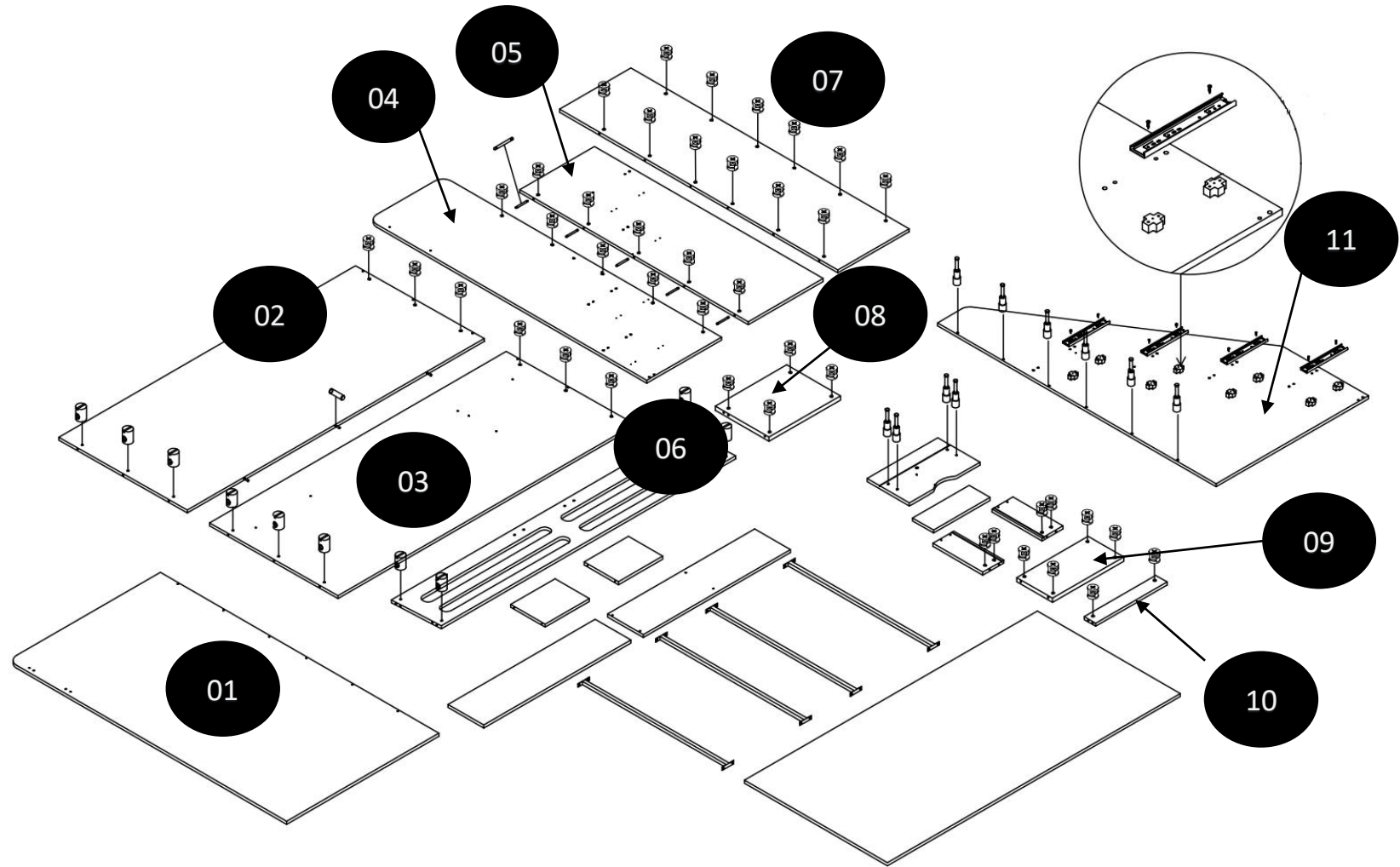
07-Back Board Of Stair

08-First step of Stair Up Board

09-the 2,3,4 steps of the stair

10-Drawer Lower Plinth

11-Right Side Plate Of the Bunk (or Stairs)



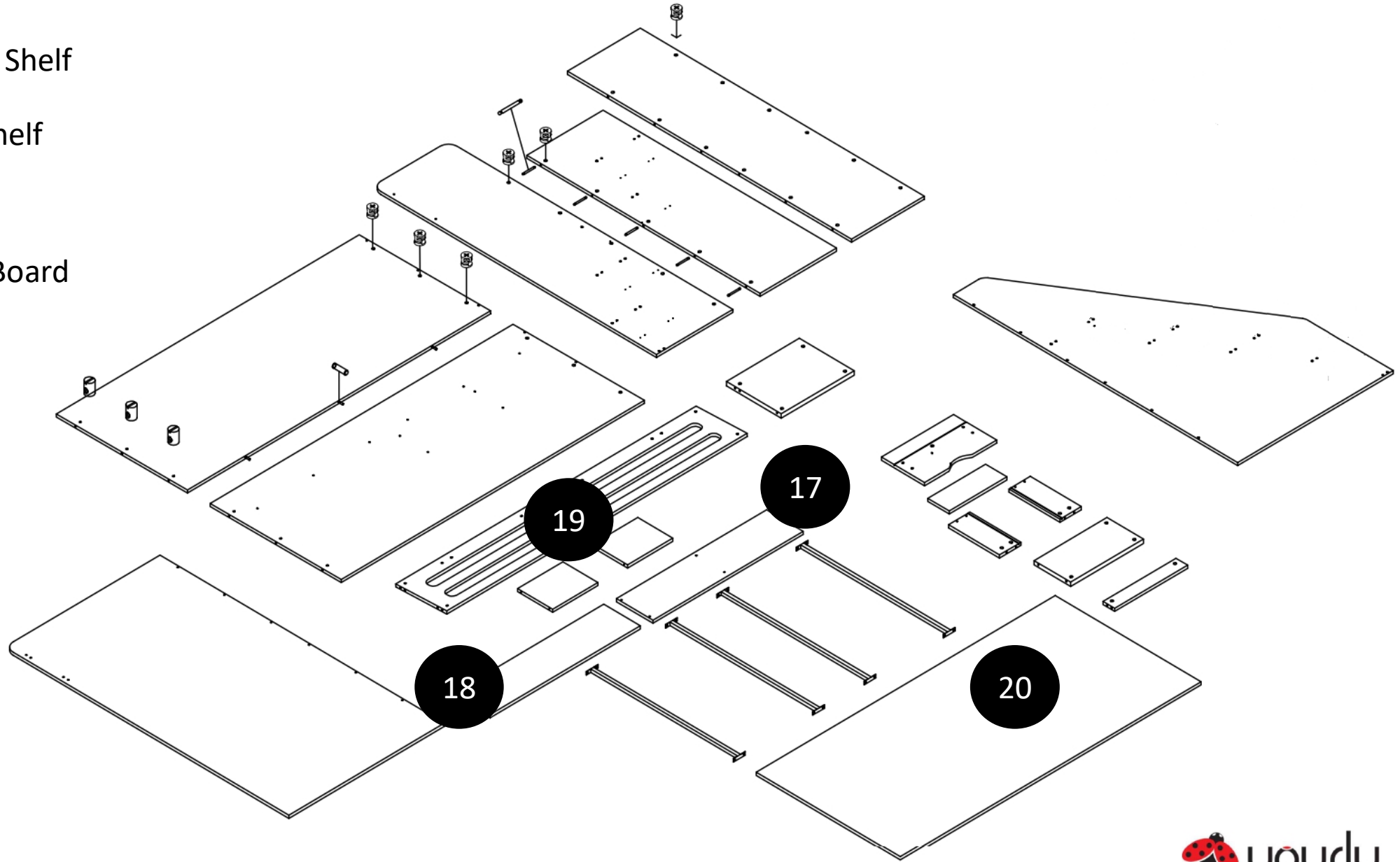
Parts list:

17- horizontal Right Shelf

18- horizontal Left Shelf

19- vertical shelf

20-Mattres Under Board



Parts List:

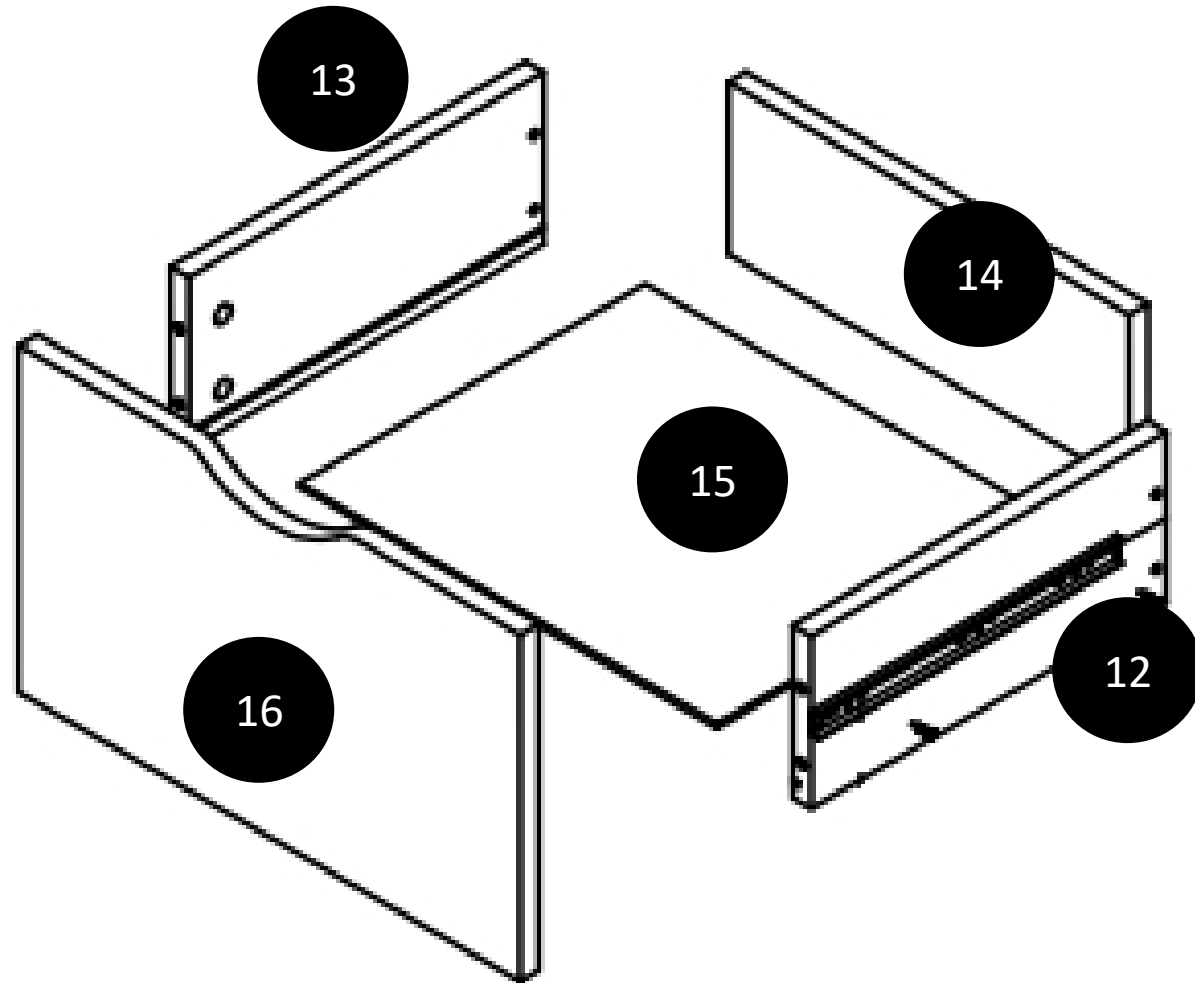
12-Drawer Front Side

13-Drawer Left Side

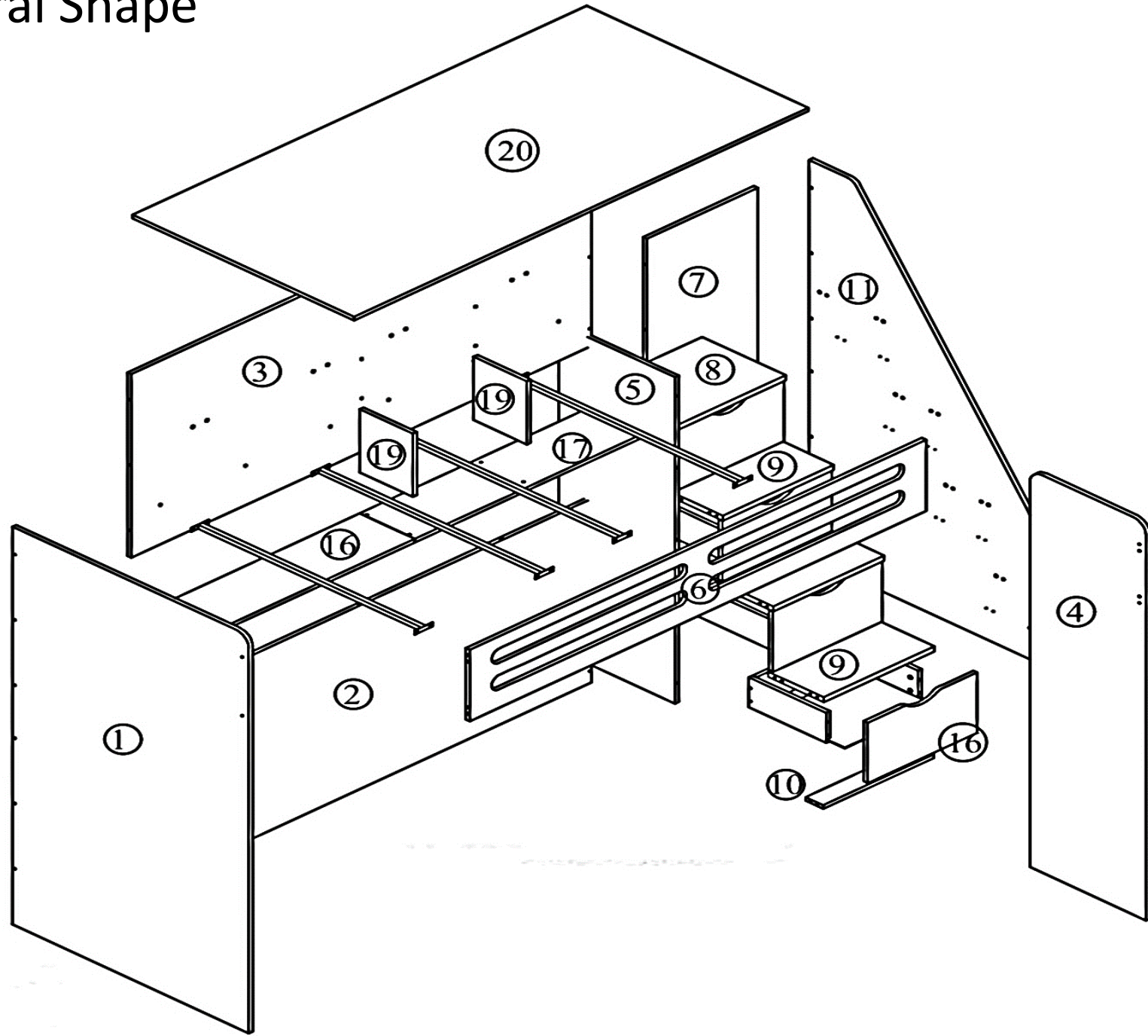
14-Drawer Back Side

15-Drawer Base

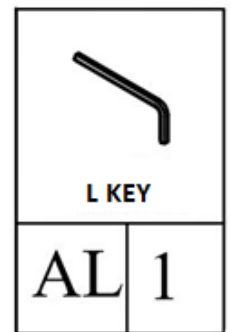
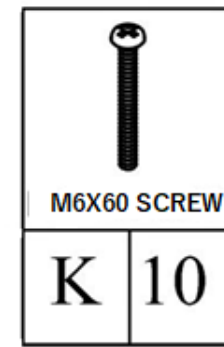
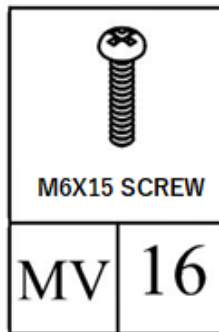
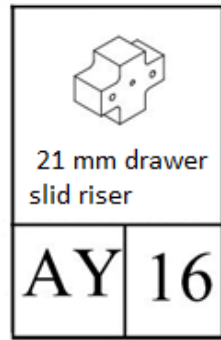
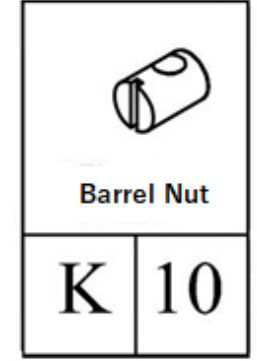
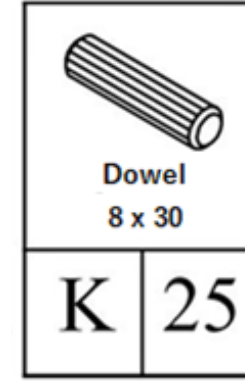
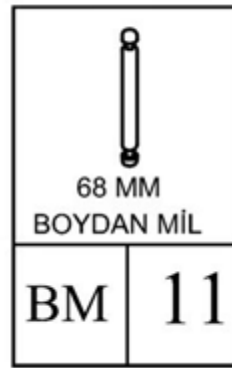
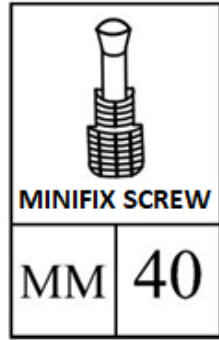
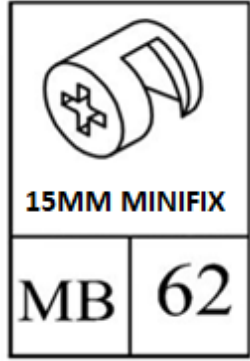
16-Drawer Front Side



- General Shape



Hardware list

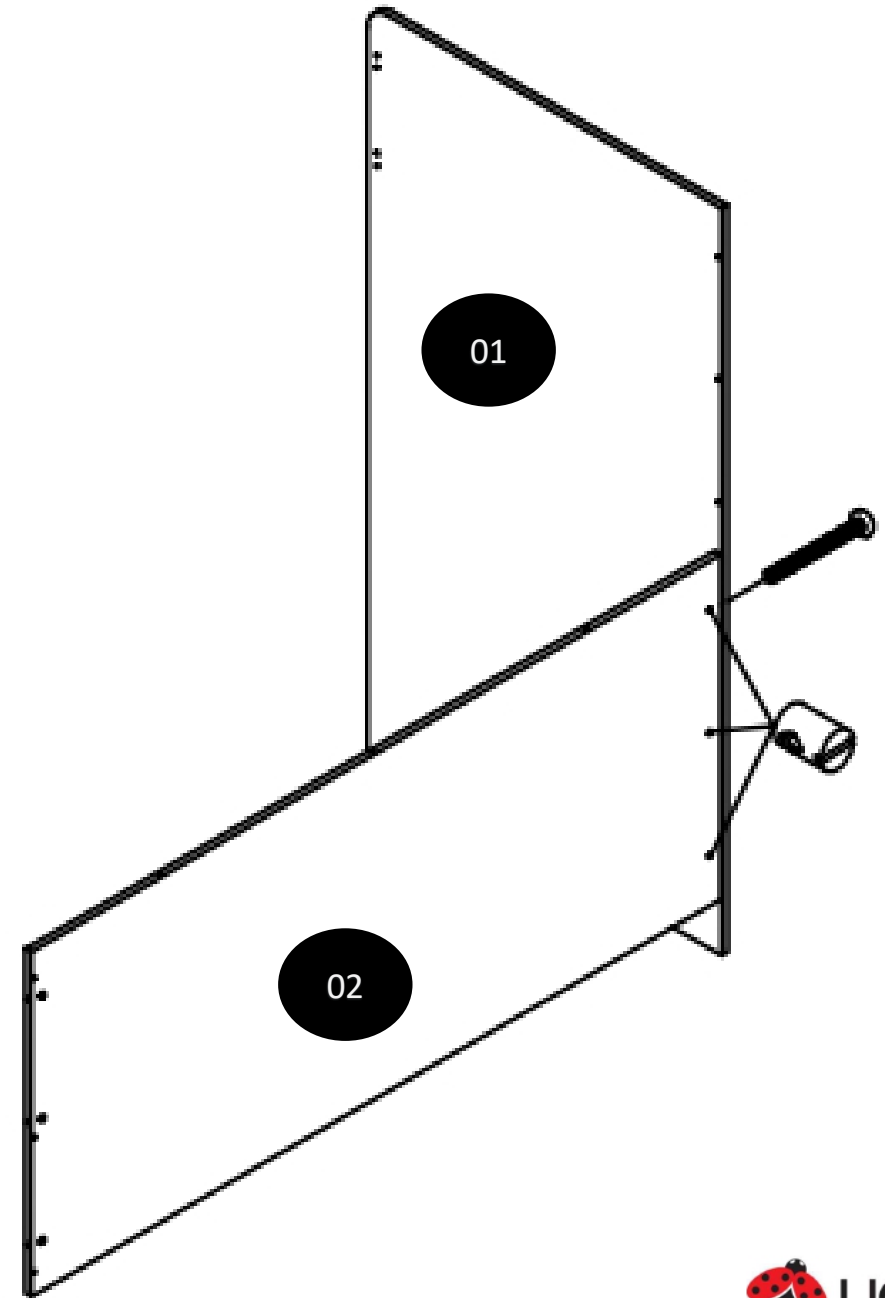


Step 1

Assembly board **01** to **02**
Use Barrel Nuts **3 pcs** of



And **3 pcs** from M6X60 Screw



Step 2

Assembly 04 to 05

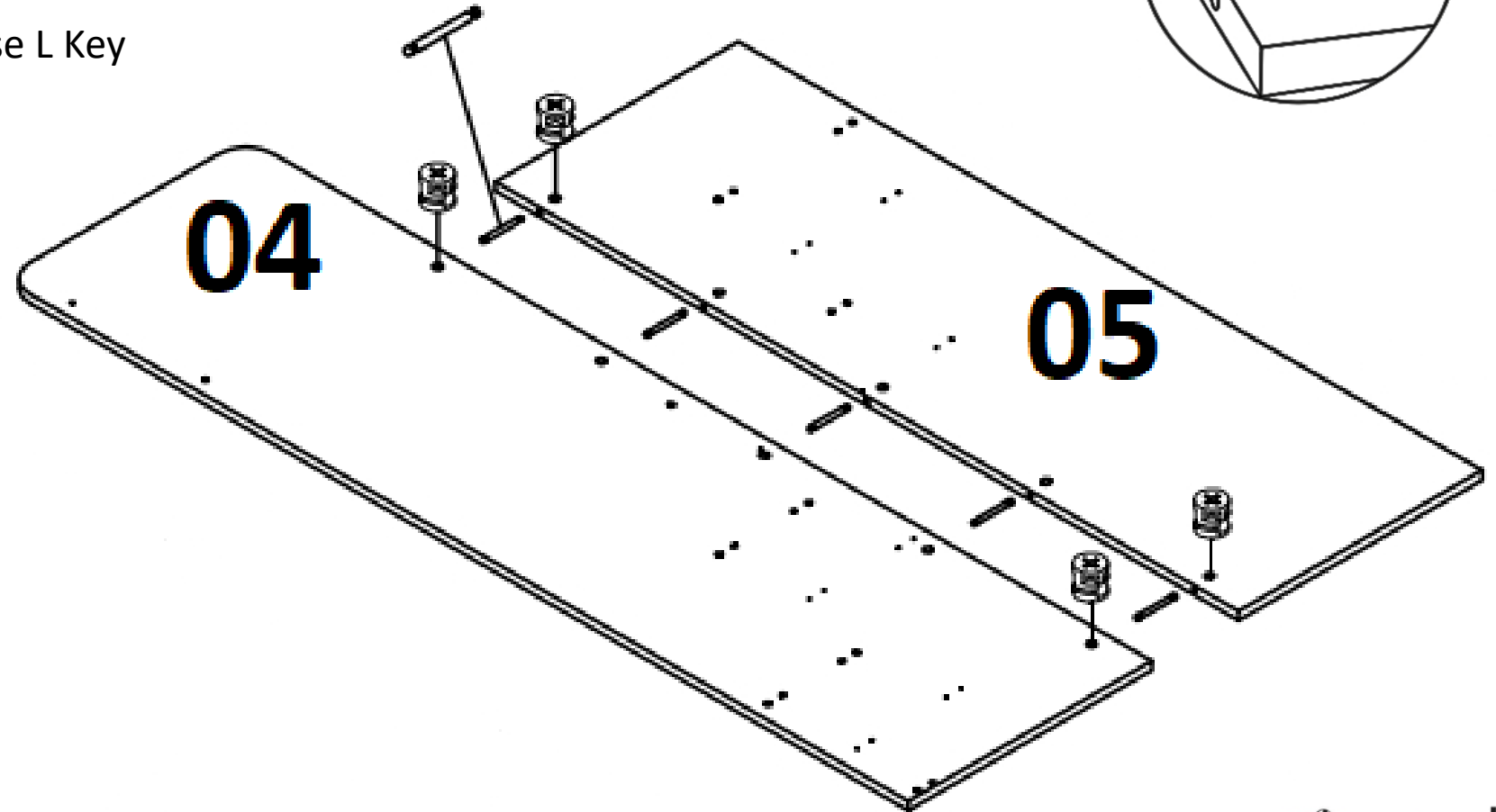
use **10 pcs** from Minifix Housing use L Key



with **5 pcs** from 68 MM

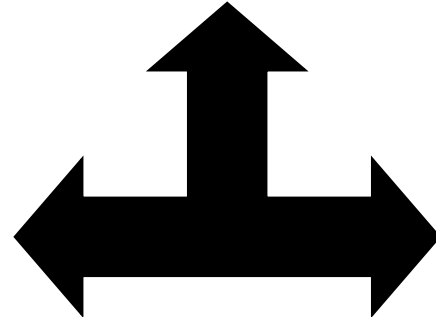
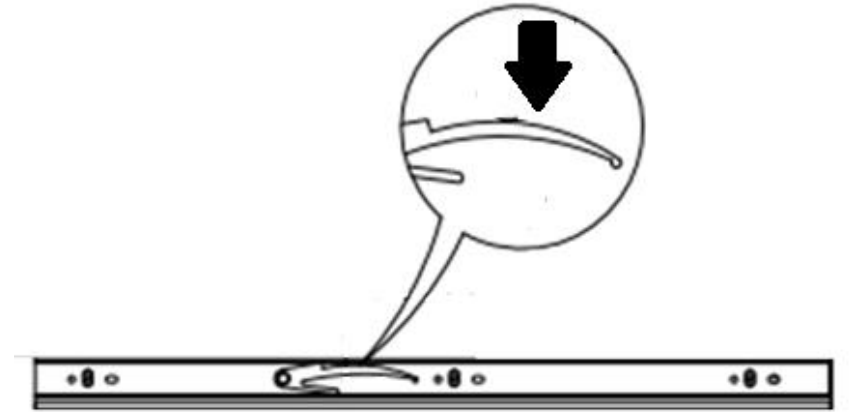
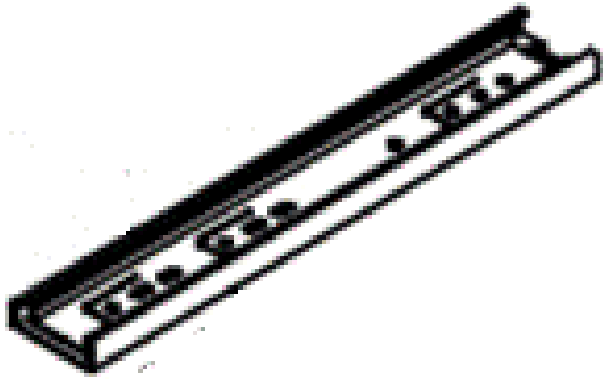


68 MM



Note:

Drawer Slid is consists from two parts To separate them to two parts you must press down plastic pivot and pull it. we will use part A to next step



Part B



Part A

Step 3

After we connected the 04 and 05 board to each other we have to turn them to the other side and assembly the Drawer Slid on the outer side

Use **8 pcs** from 21 mm drawer slid riser

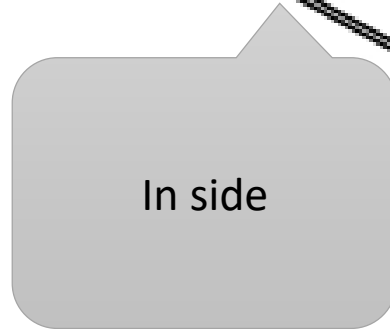
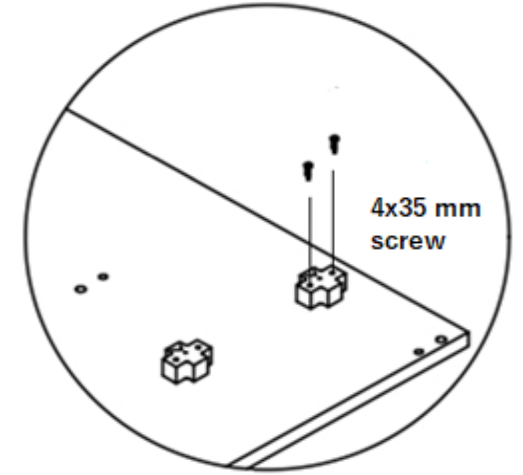
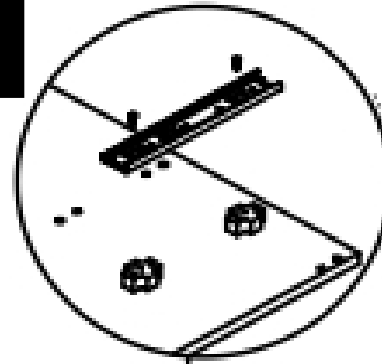
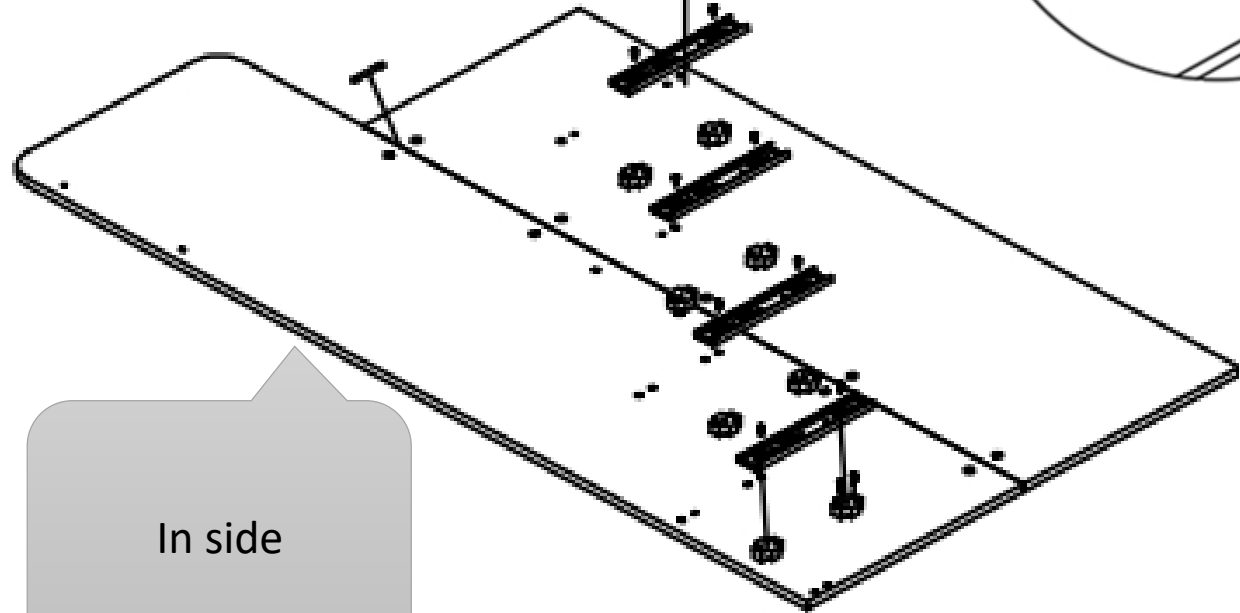
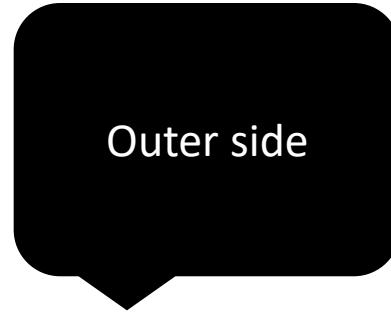


And **8 pcs** 4x35 mm melamine screw



4X35 SUNTA
VIDASI

Part A



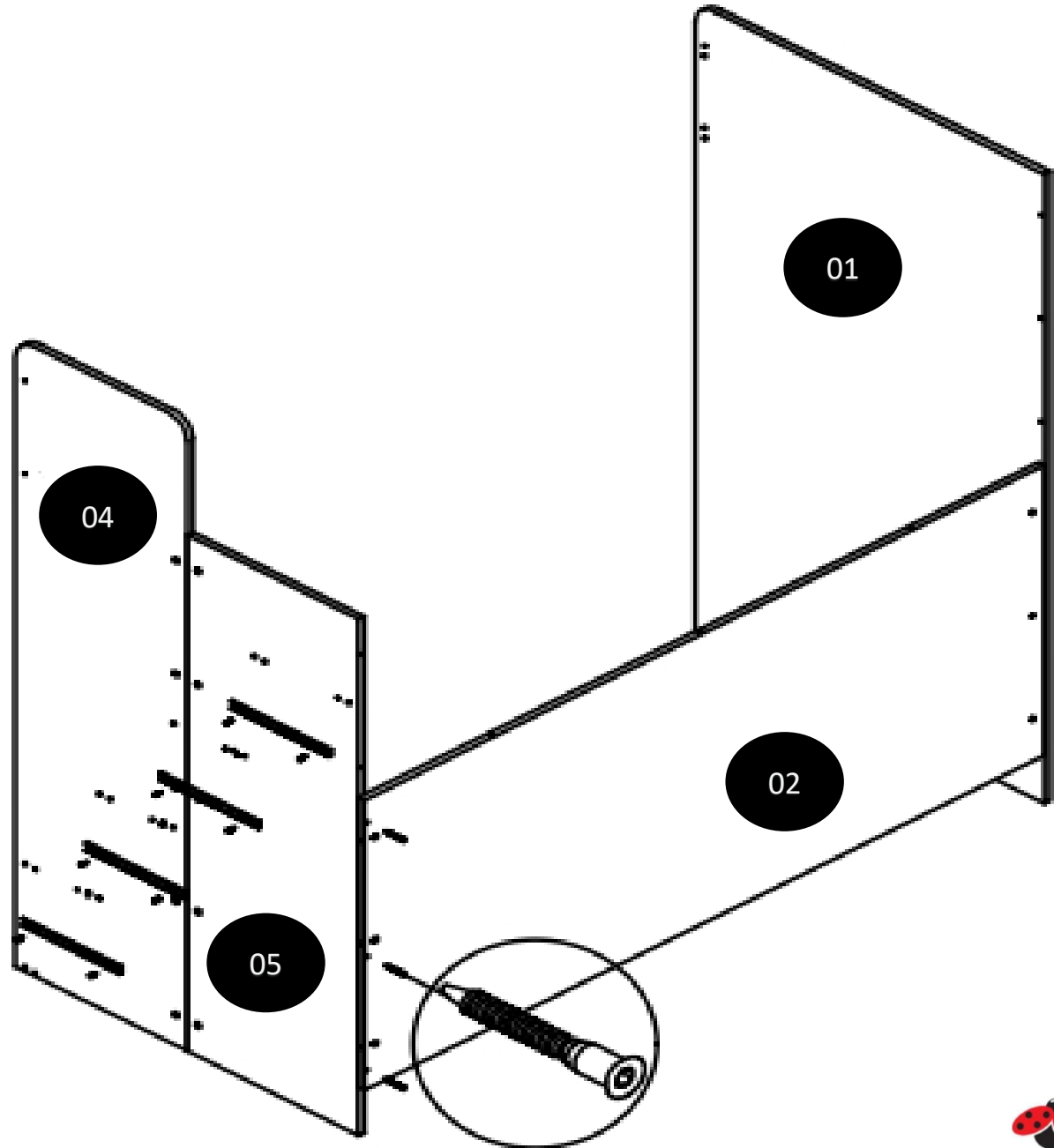
To the rail use **8 pcs** from 4x35 mm melamine screw



3,5X18 SUNTA

Step 4

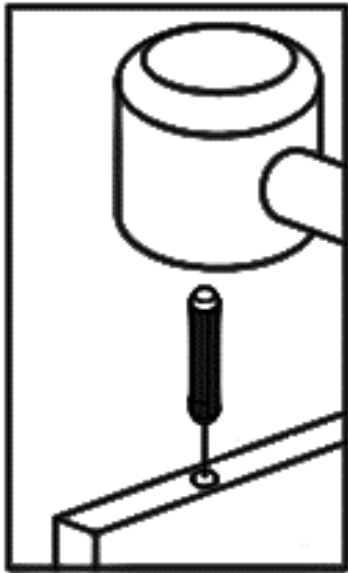
After step 3 we have to connect the 02 to the 05
use **3 pcs** from 4x50 screw



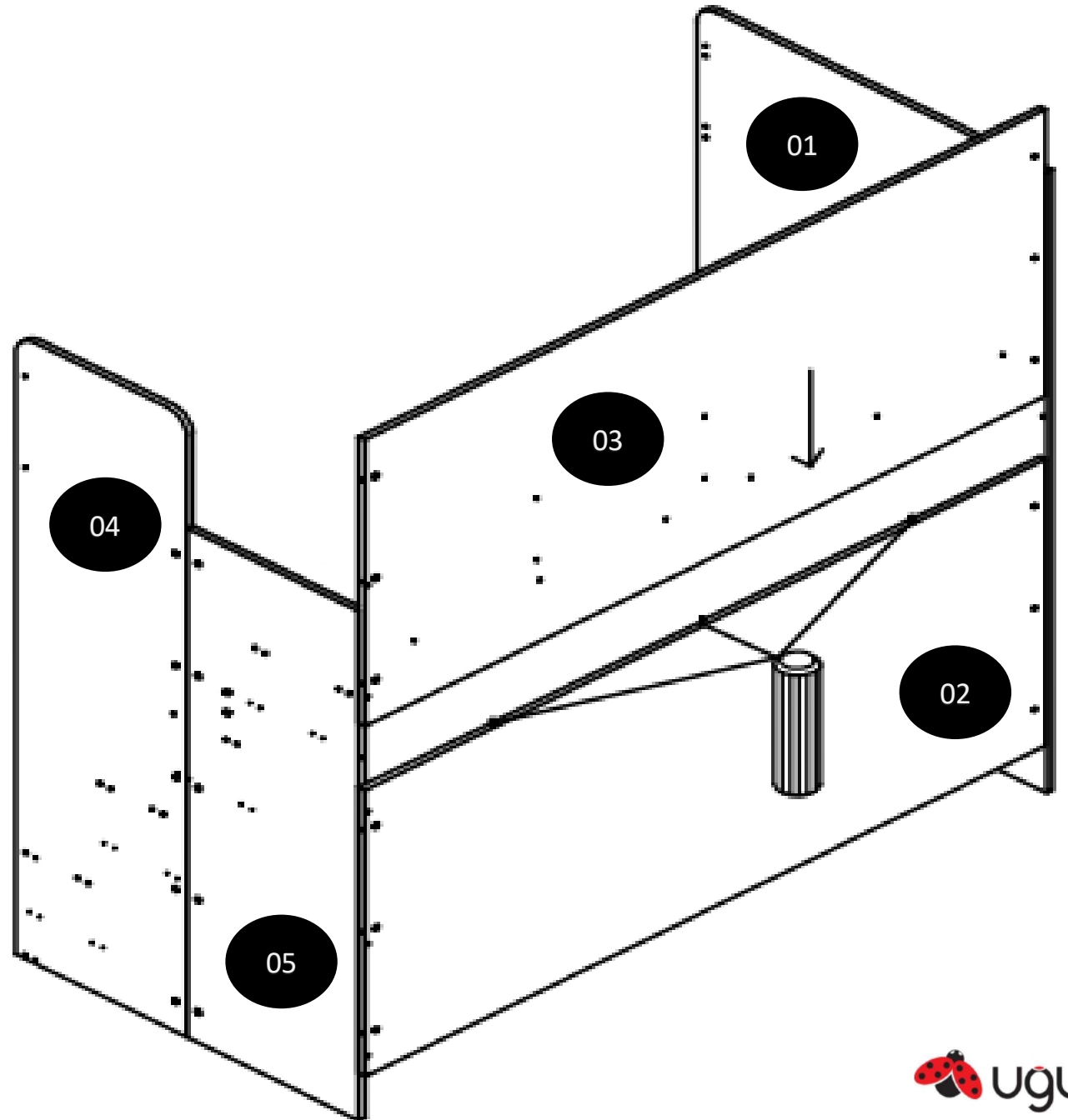
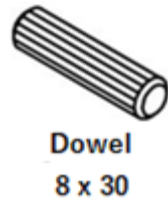
Note : make sure that the you put the rails on the outer side of 05 and 04

Step 5

After step 4 we have to connect the 03 to the body of bunk that we done. Insert the Dowel to the hole using hummer.



use **3 pcs** from 8X30 Dowel



Step 6

To connect 01 to 03

use

3 pcs

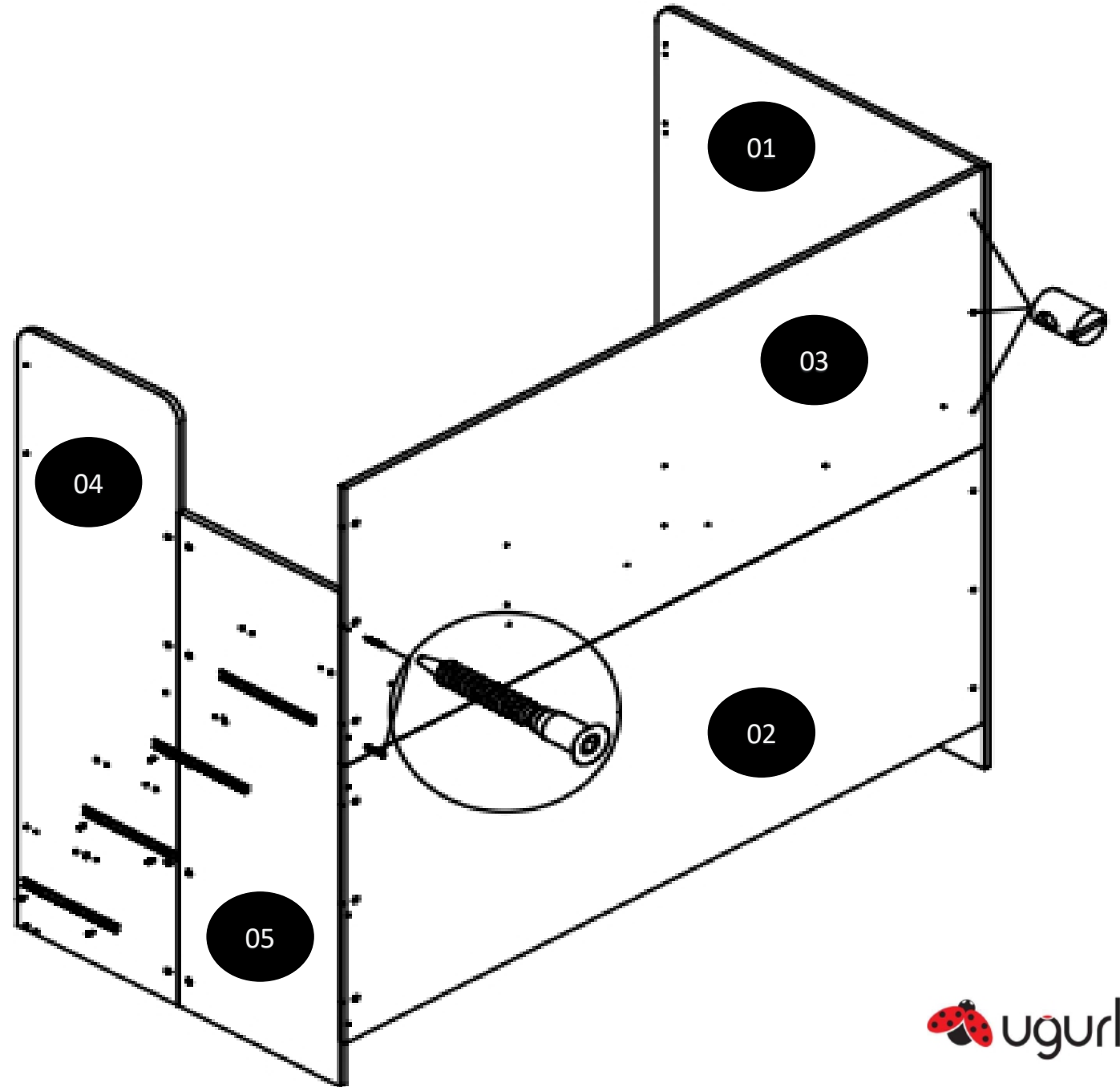
3 pcs



To connect 05 to 03 use 2 pcs from



4X50

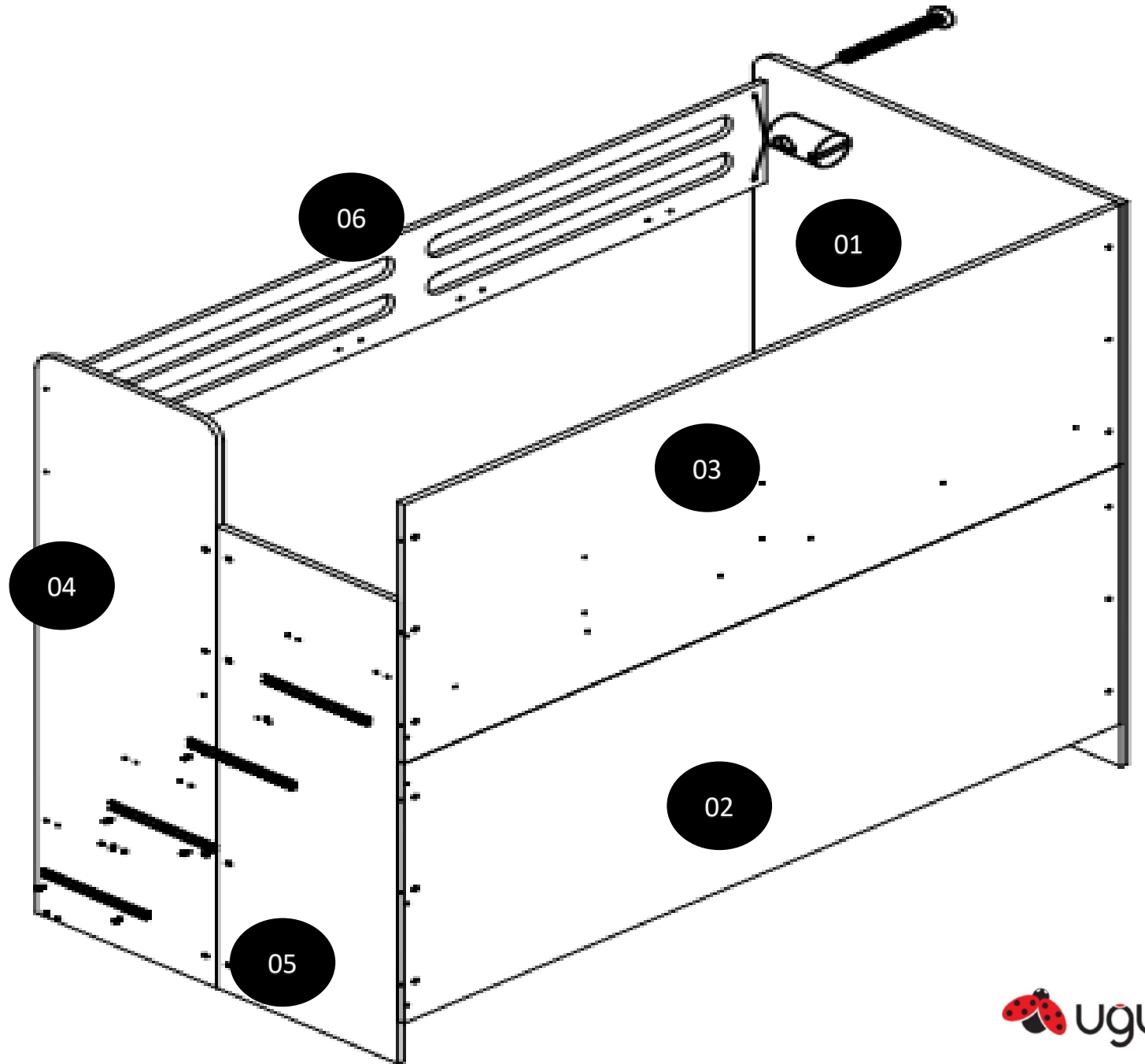


Step 7

To connect the railing
06 to 01 and 04

use 4 pcs

4 pcs

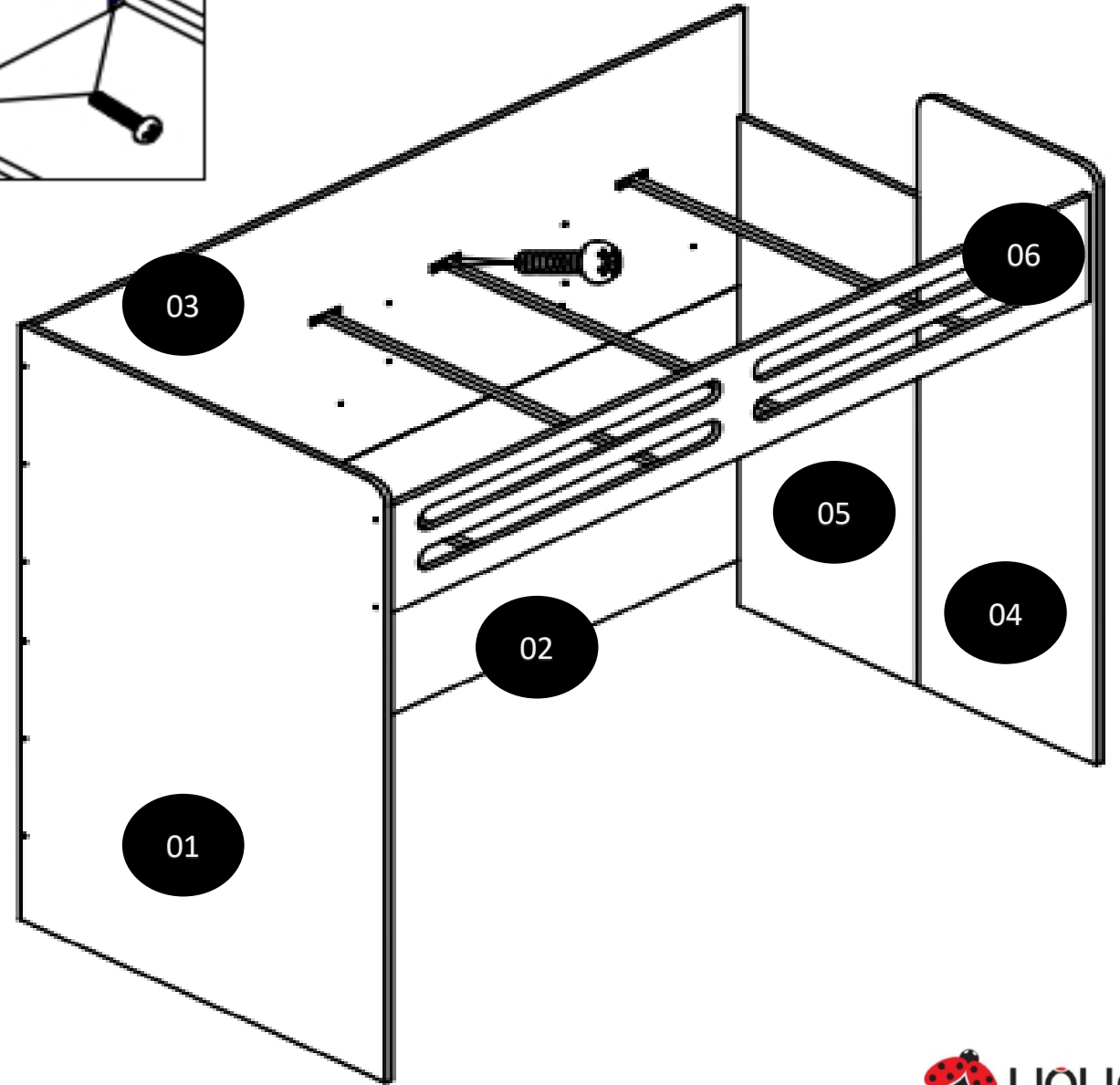
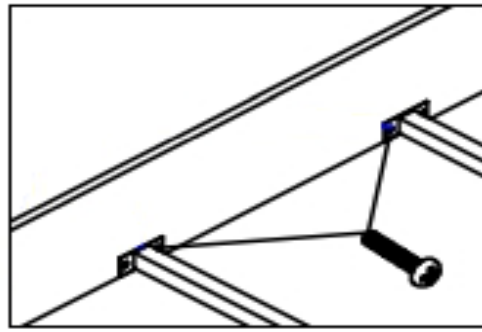


Step 8

In step 6 we fixed the
the metal parts using
16 pcs from M6X15
Screw like the picture



M6X15 VIDA

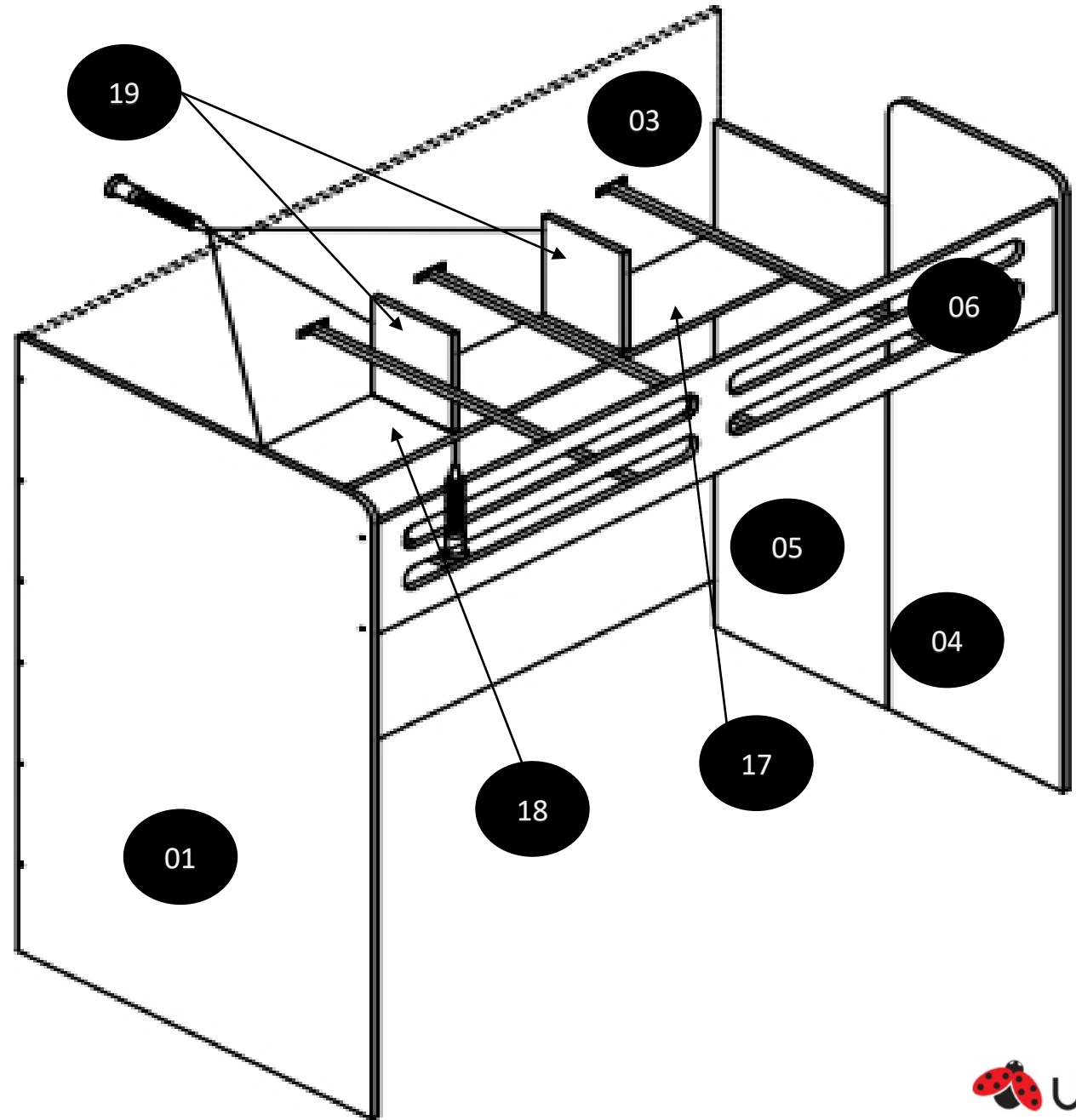


Step 9

Fix the horizontal shelves using 17 and 18 to 03 use Screw
Then fix the vertical shelves 19
Use 14pcs from Screw 4x50



4X50



Step 10

Fix the board 07 to 02
and 03 use

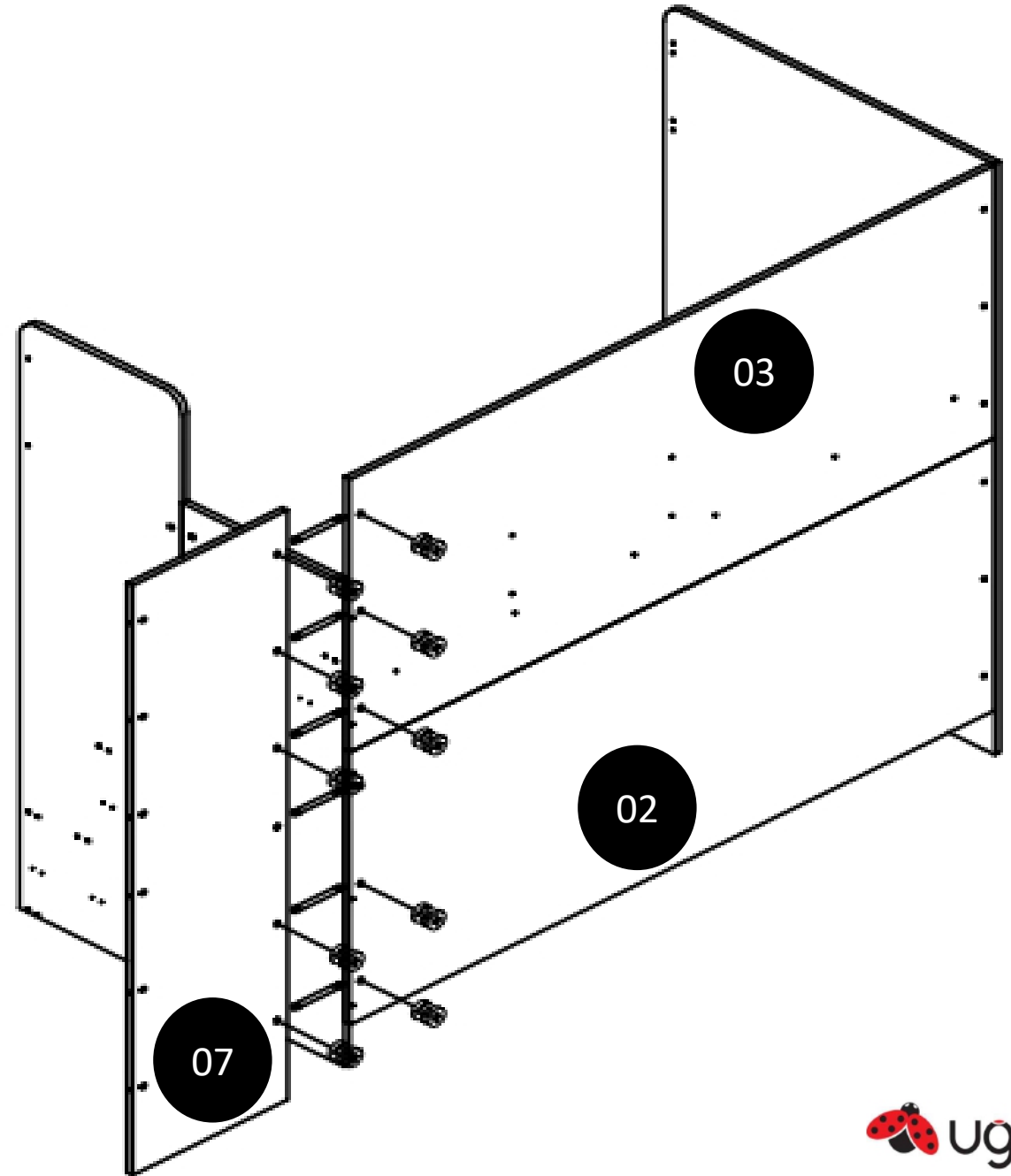
Using **12 pcs** of minifix



with **6 pcs** from 68 MM



68 MM



Step 11

After we fixed 07 like the figure
We fix 08 to 07 and 04+05 by
using minifix

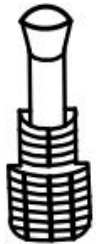
18 pcs

16 pcs

16 pcs

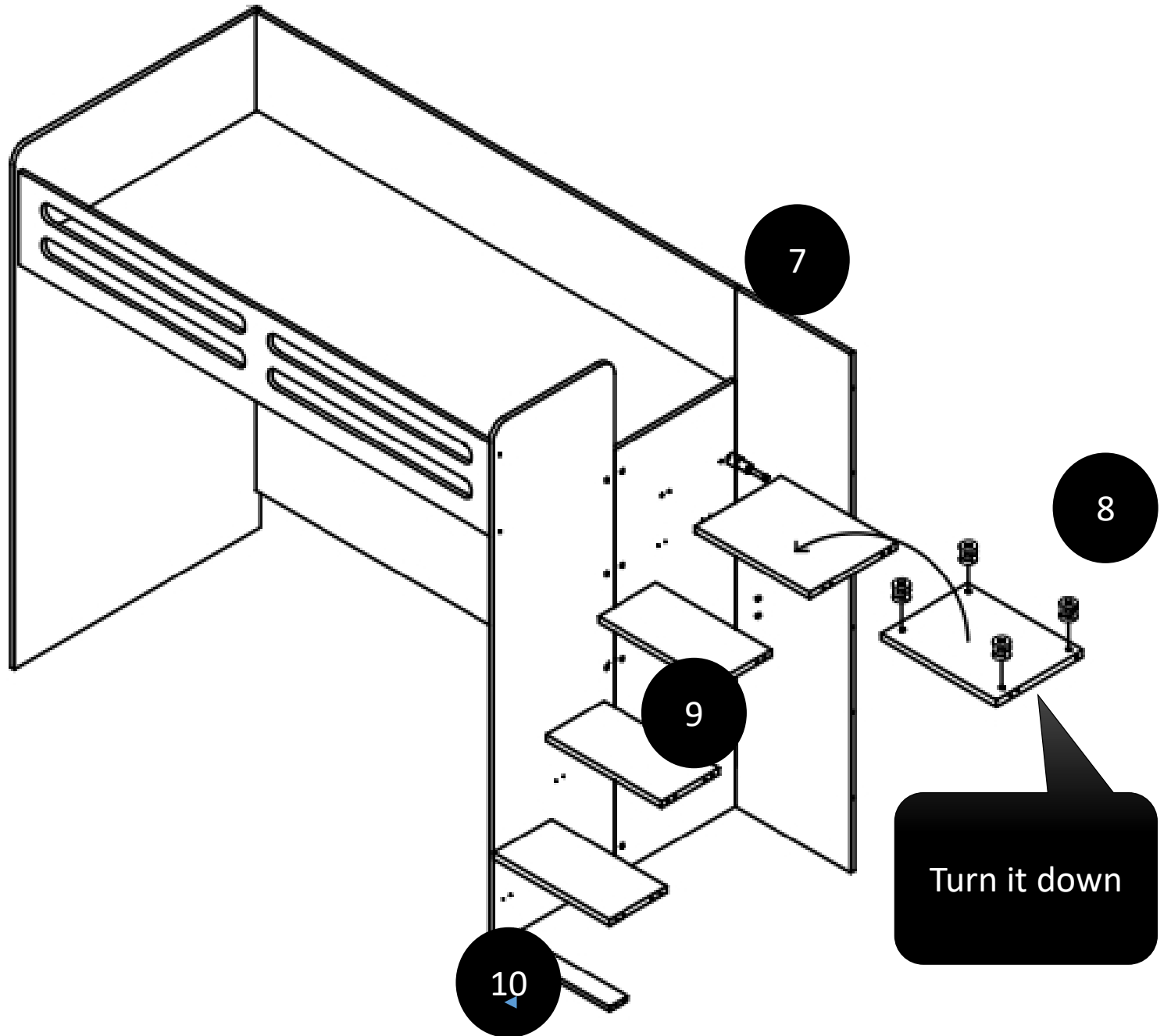


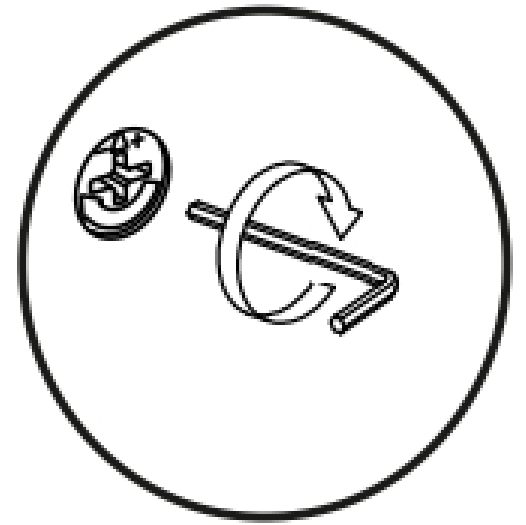
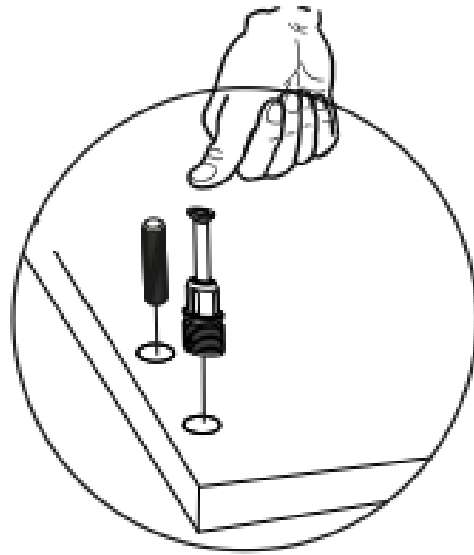
Dowel
8 x 30



Minifiks Mil

Fix 09 and 10 between
05+04 use minifix
housing to the both
down side





Step12

In step 9 we will fix the rail to the 11 in inner side

Using **8 pcs** from 21 mm rail riser



And **8 pcs** 4x35mm melamine screw

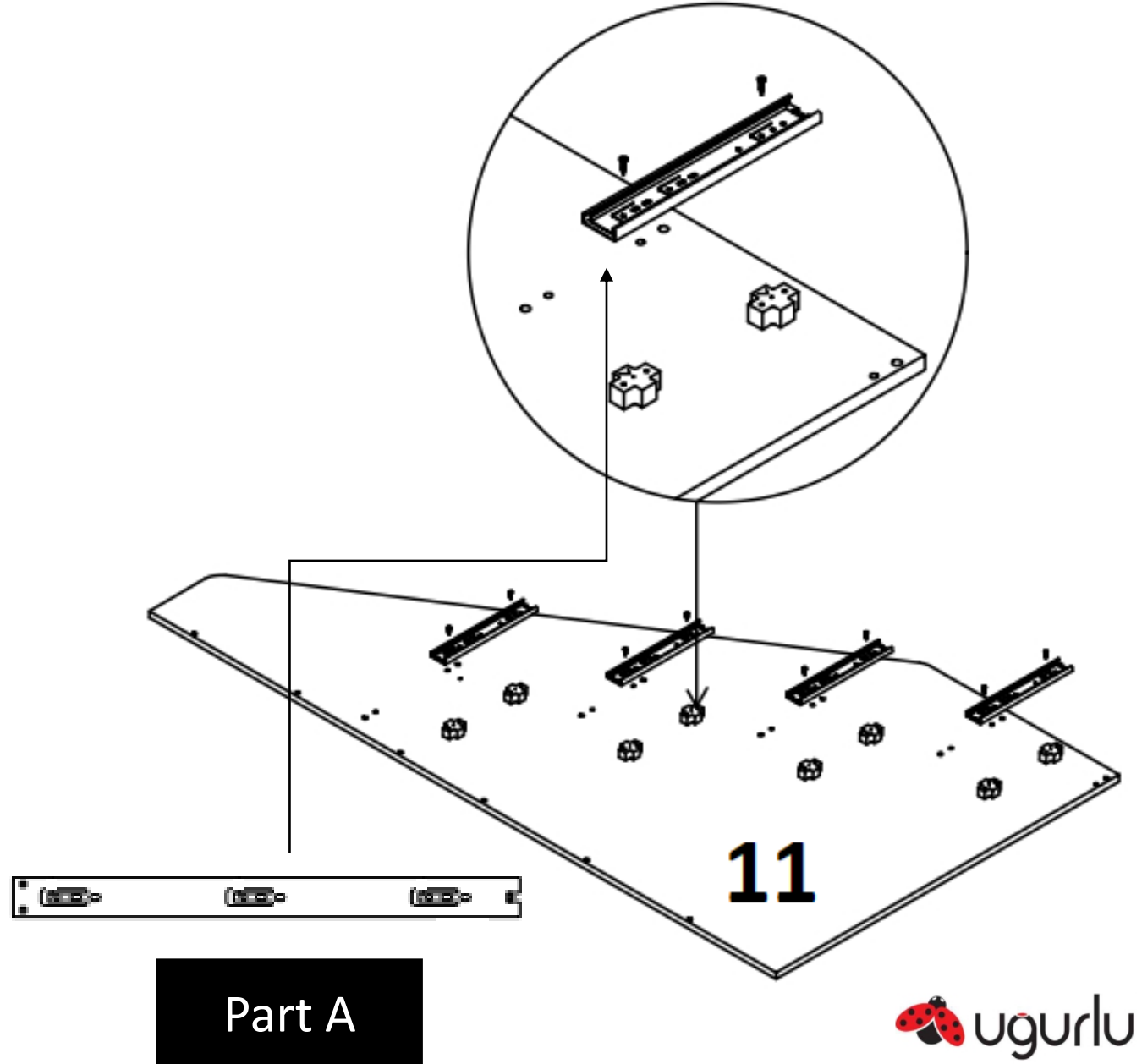


4X35 SUNTA
VIDASI

To the rail use **8 pcs** from 3,5x18 mm melamine screw



3,5X18 SUNTA



and then we can connect 11 after we insert dowel and minifix screw to the holes on 07 it to the minifix hosting on 11.

6 pcs

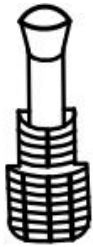


6 pcs

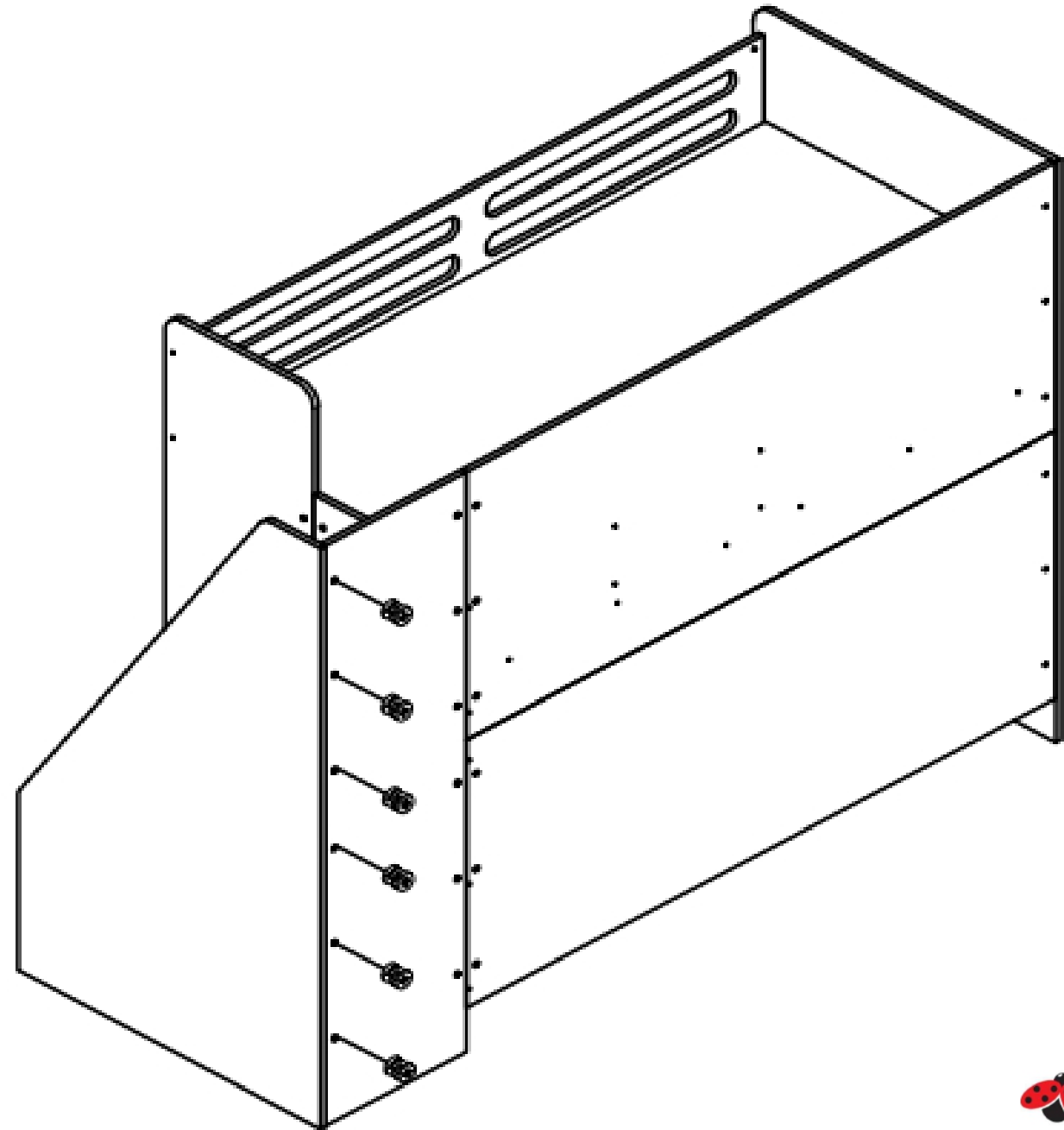


Dowel
8 x 30

6 pcs

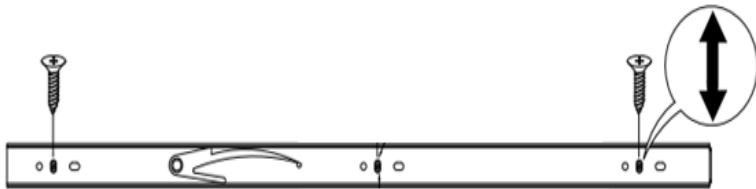


Minifiks Mil

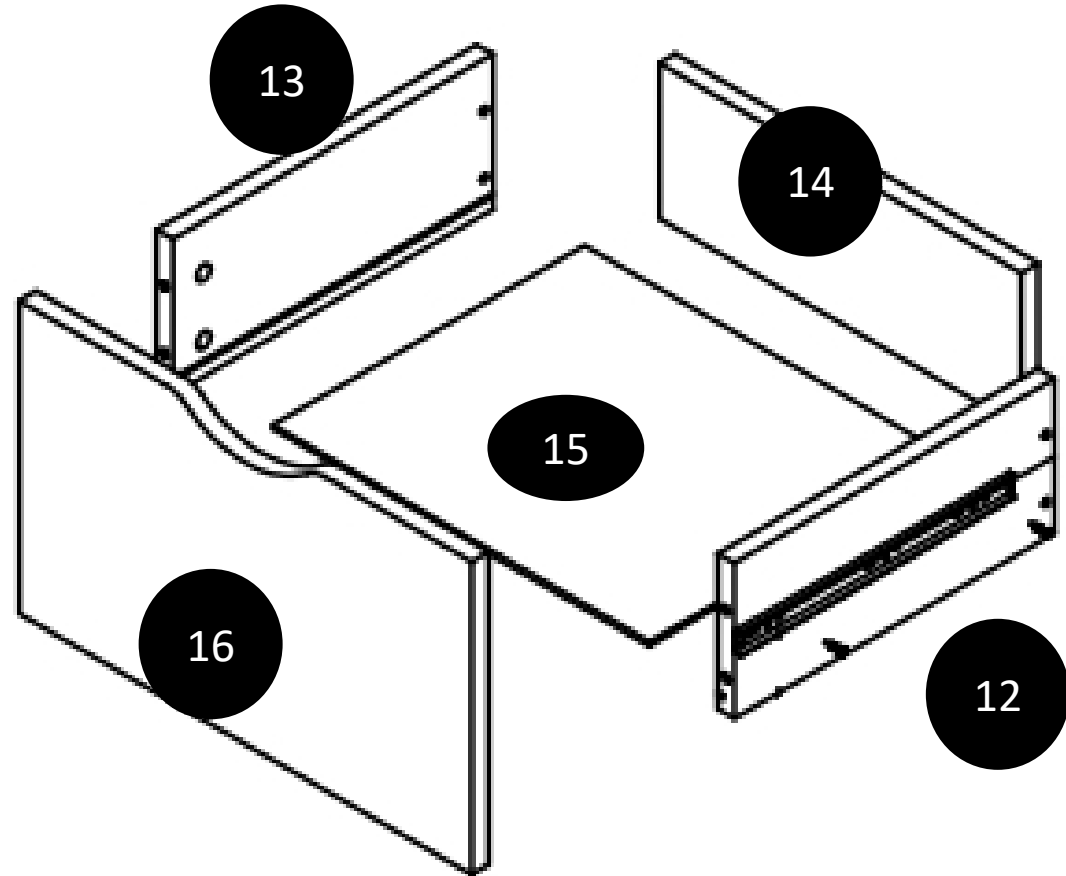


Step 13

Assembly the drawer



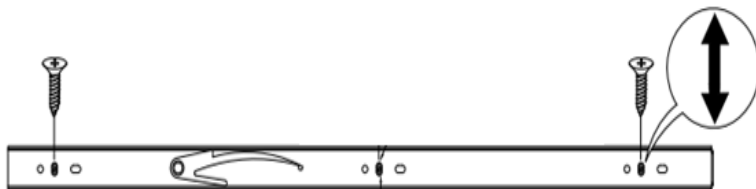
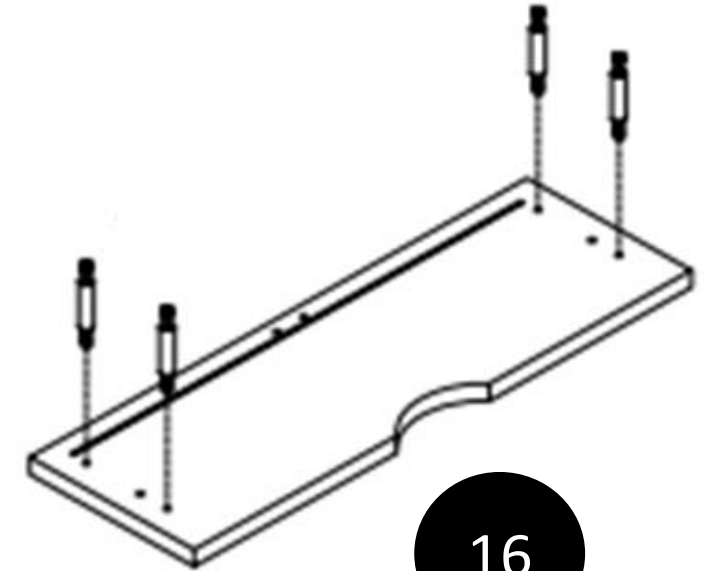
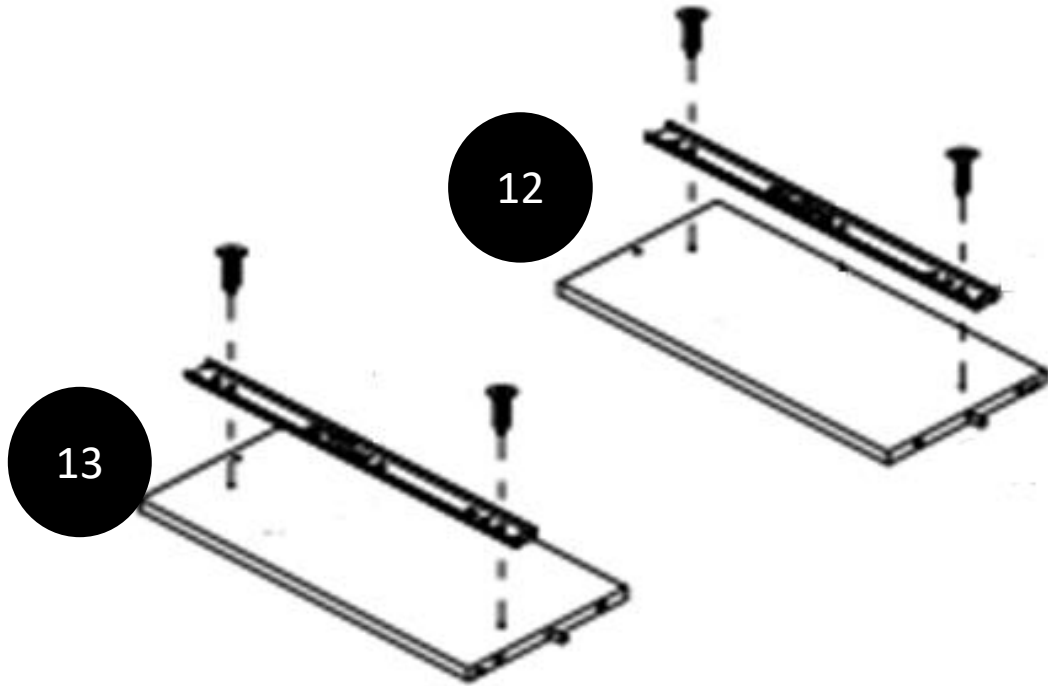
Note : make sure that you use drawer rail part B on the outer side of the right and left side of the drawer



Use 3,5x18 melamine screw
16 pcs

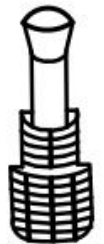


3,5X18 SUNTA

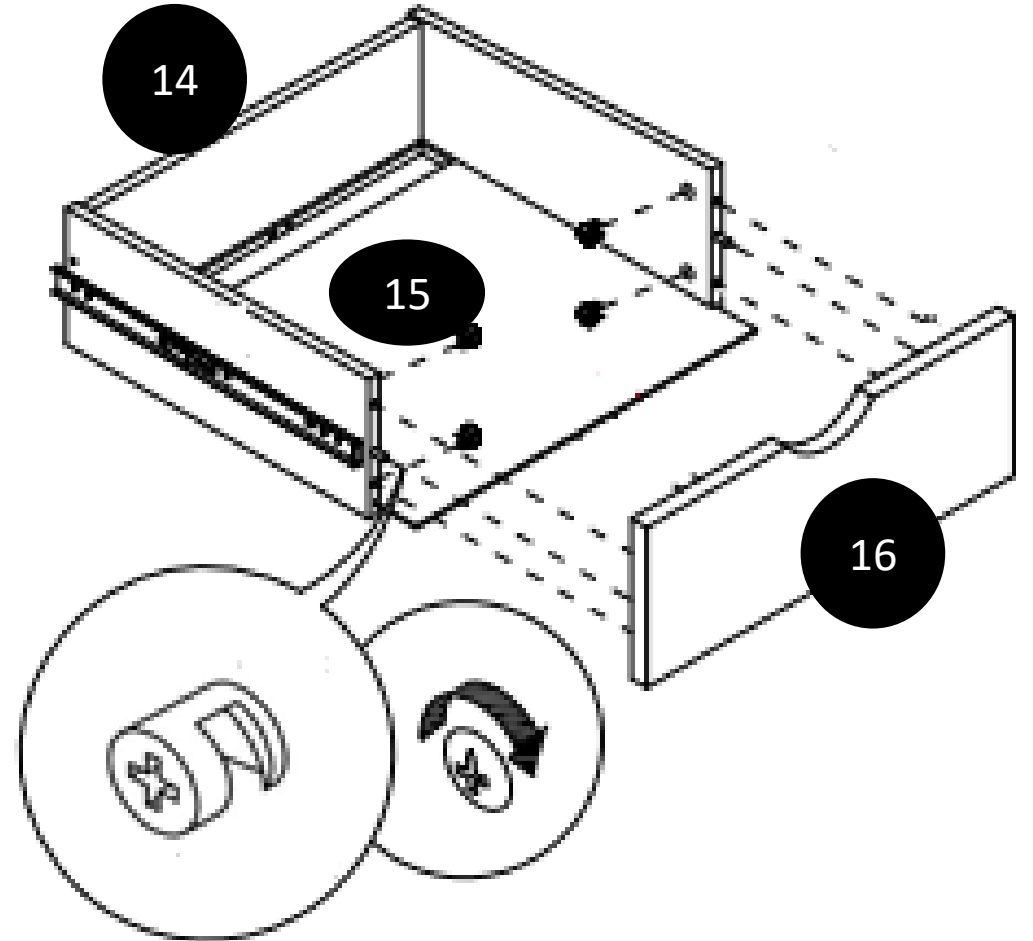
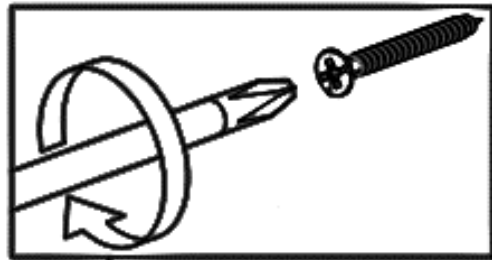
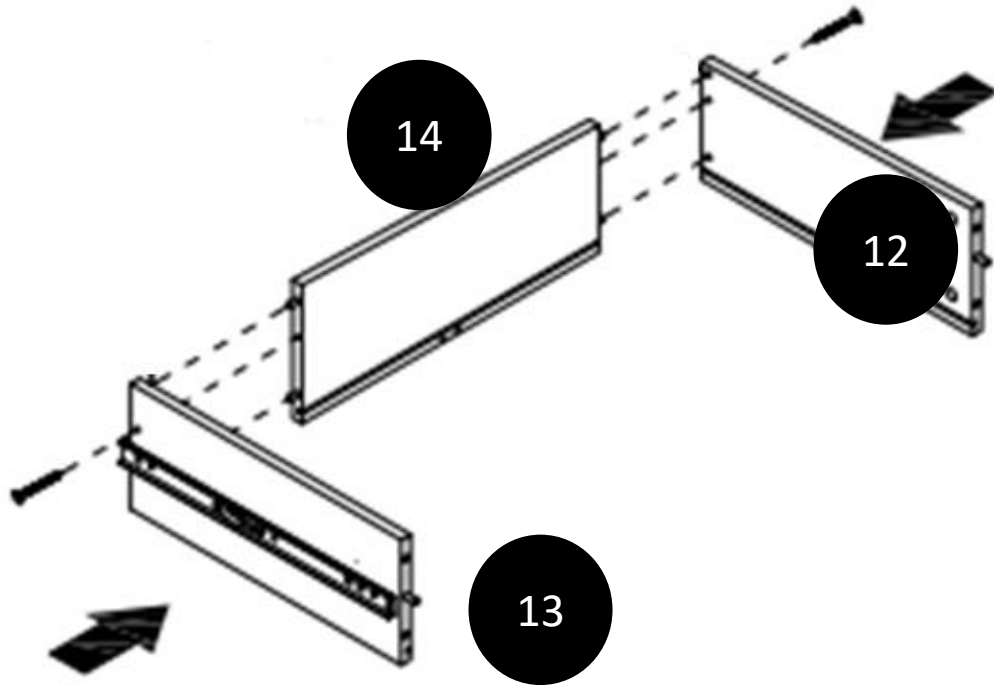


Part B

Use Minifix Screw **16 pcs**



Use 4x50 mm screw **16 pcs**

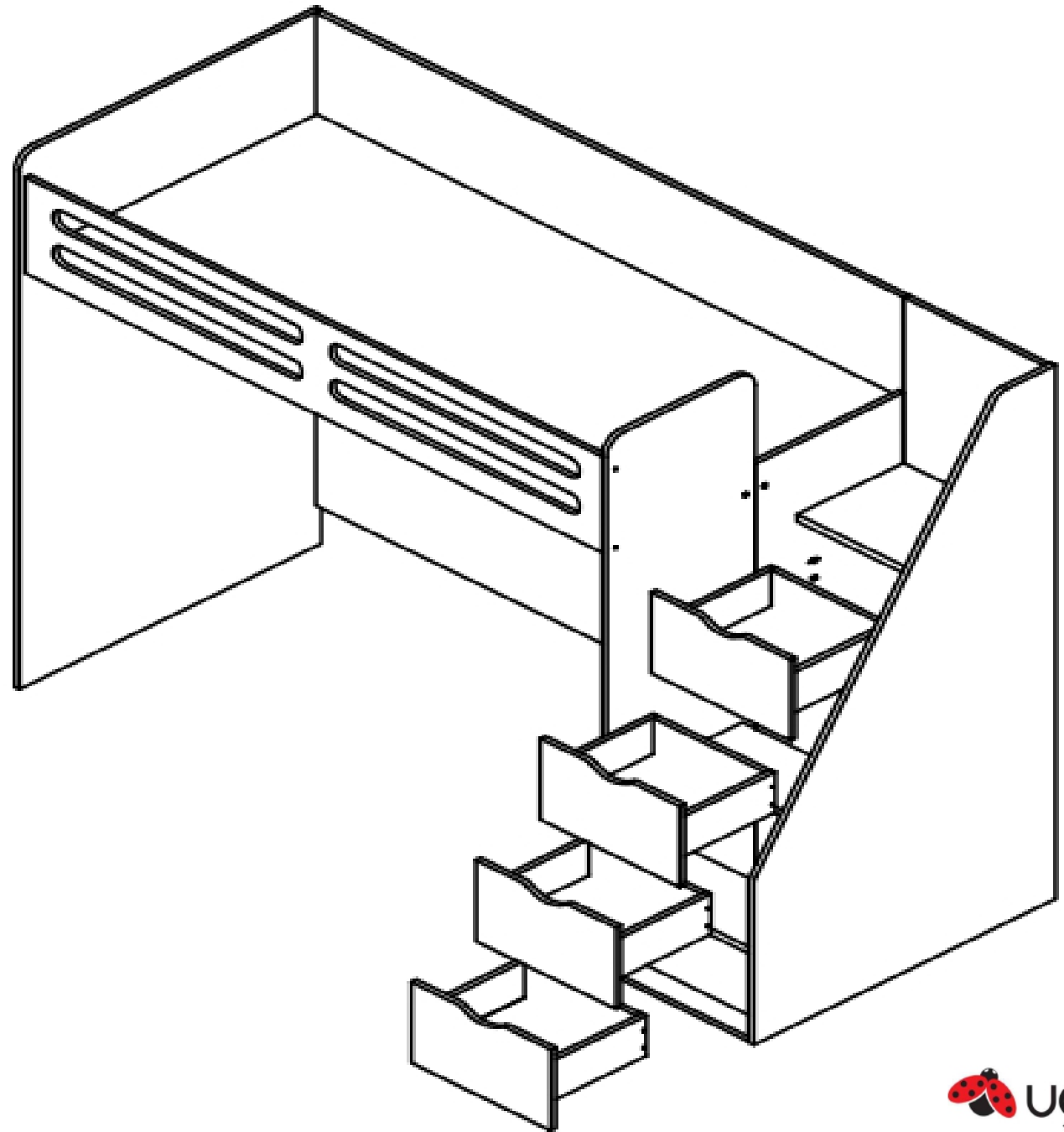
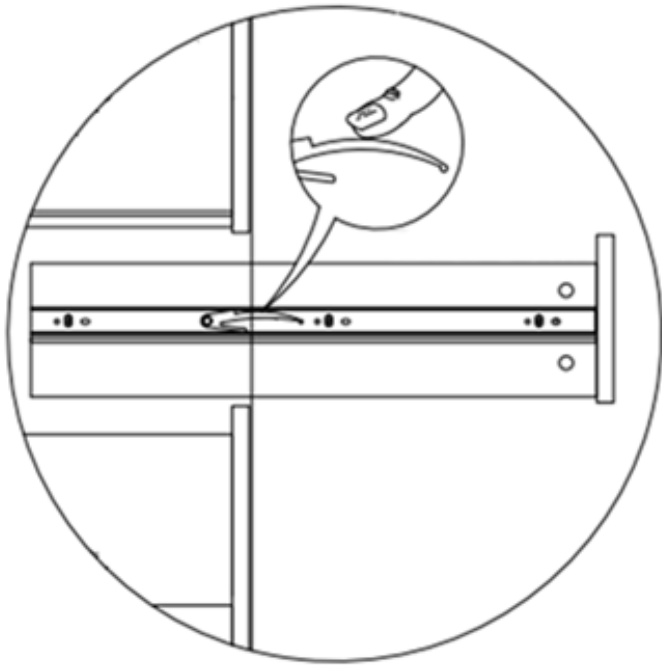


Use minifix housing **16 pcs**



Step 14

Insert the 4 drawer that we made before and you will finish the assembly



Note: if you want to pull the drawer out you have to press down plastic pivot from tow side and pull it.

