

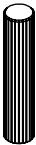


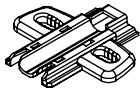
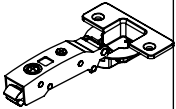
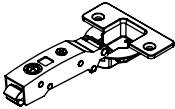



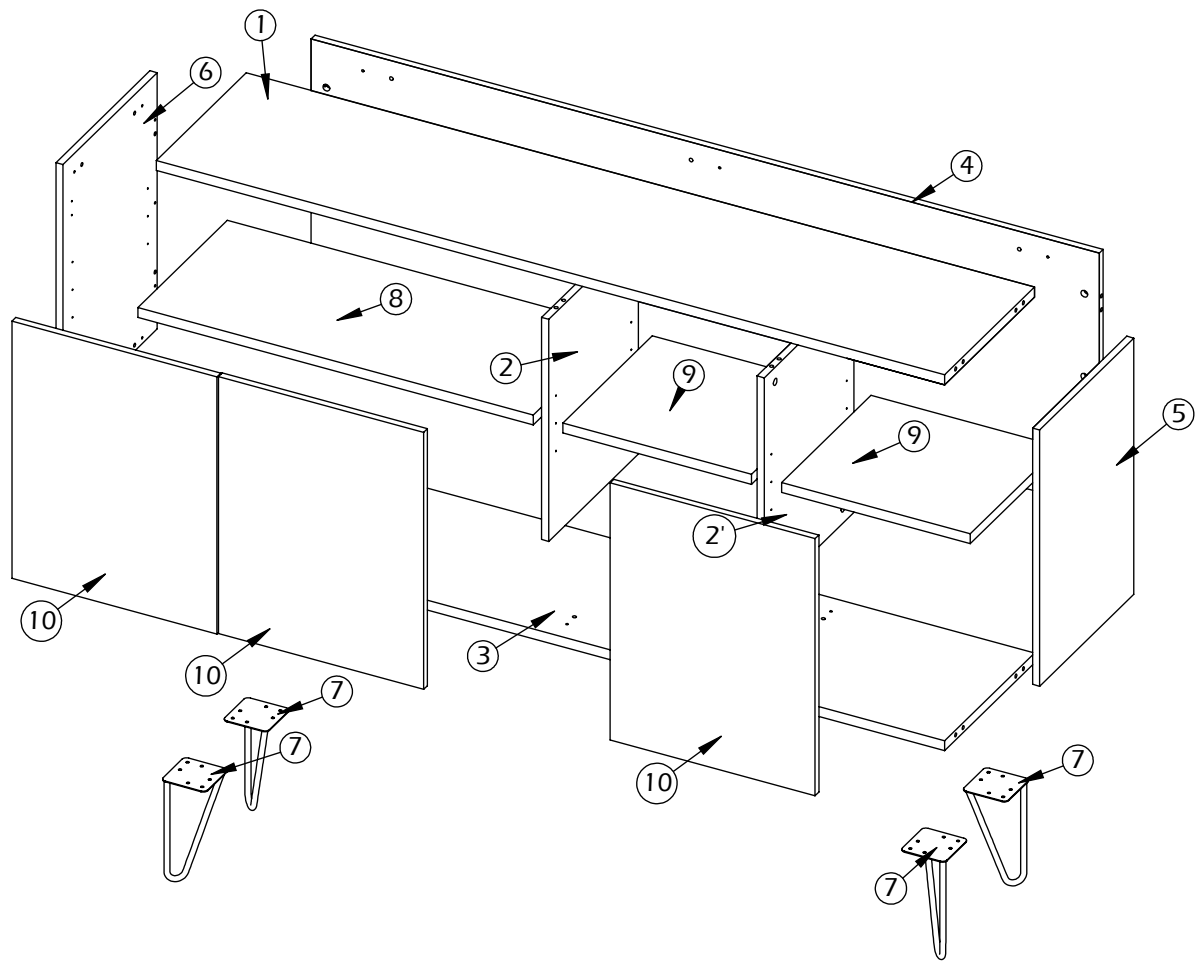




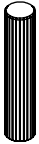
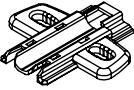

7200.762/763/764/617/332

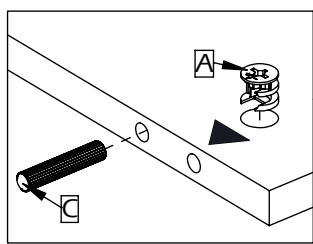
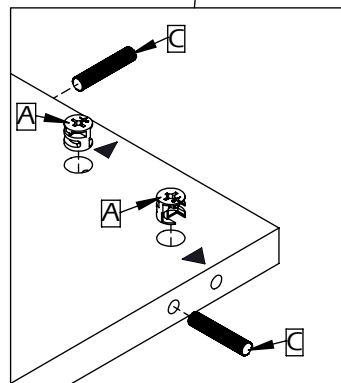
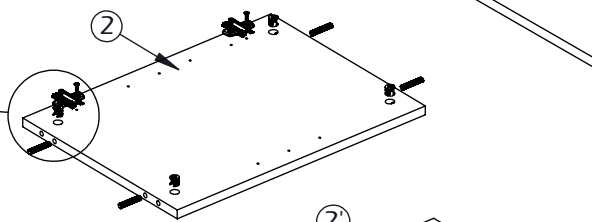
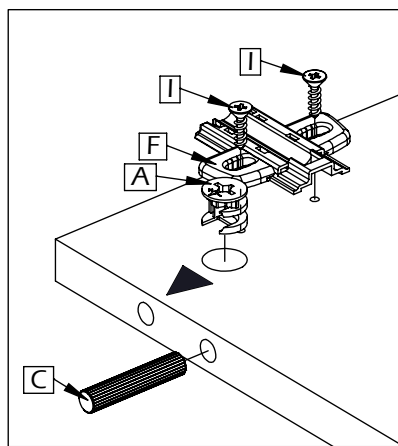
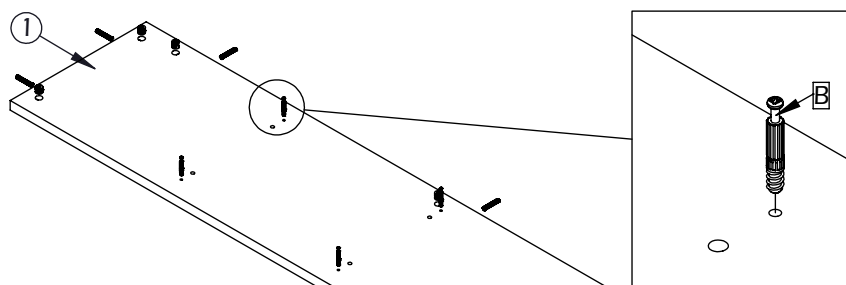
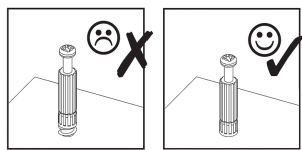
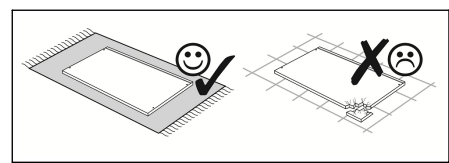
					A - 28x	B - 28x	C - 26x
							
					Ø 15x13mm 0512.042	Ø 7x41mm 0512.041	Ø 8x40mm 0540.004
D - 24x	E - 12x	F - 6x	G - 3x	H - 3x	I - 24x	J - 6x	K - 10x/14x
							
Ø 4x16mm 0512.001	Ø 6,5x16mm 0900.174	52x55x5mm 0511.094	115x67x35mm 0511.092	115x67x35mm 0511.093	Ø 4x16mm 0512.024	Ø 10x3mm 0520.063	Ø 20x0,5mm 0520.011/ 0520.171/ 0520.165

IM-0623.1088/1

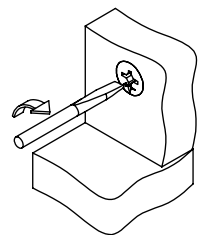
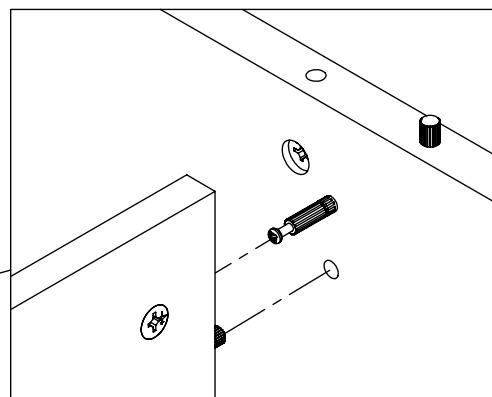
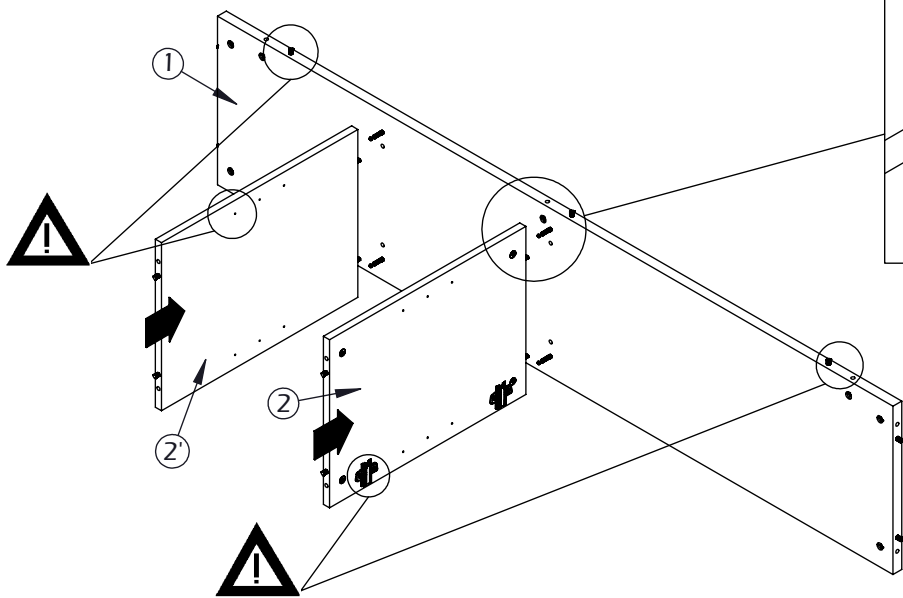
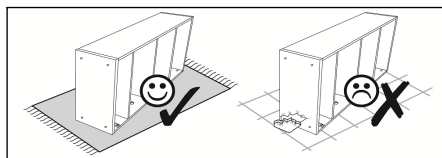


1




A-15x 	B-4x 	C-15x 	F-2x 	I-4x 
Ø15x13mm	Ø7x41mm	Ø8x40mm	52x55x5mm	Ø4x16mm

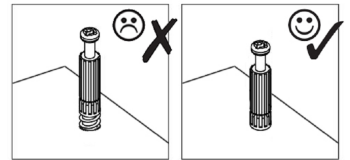
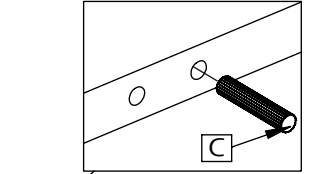
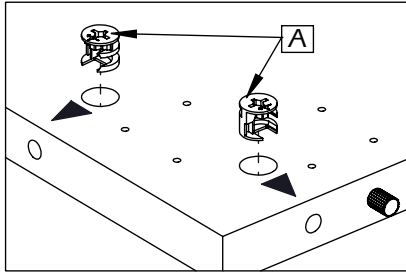
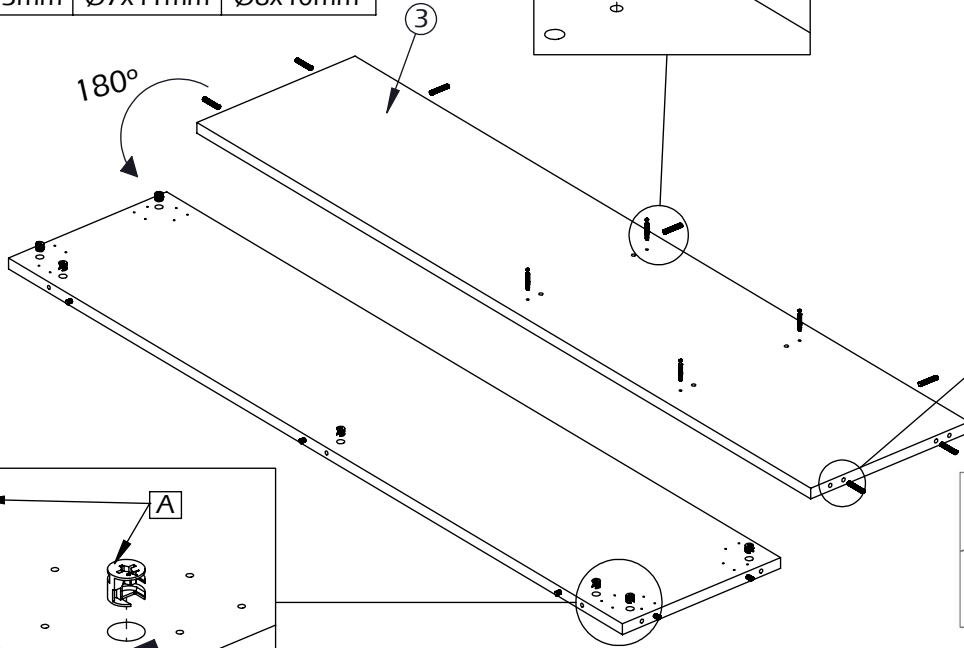
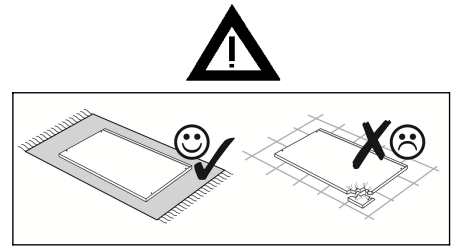
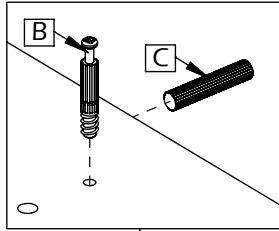


2

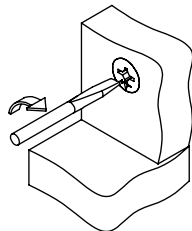
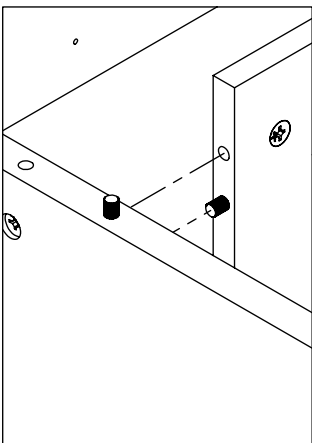
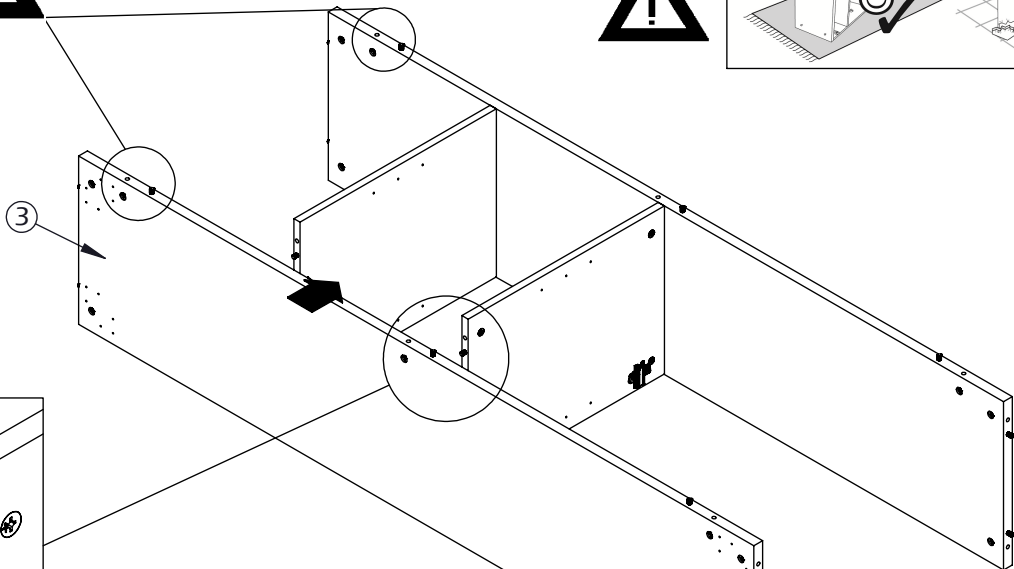
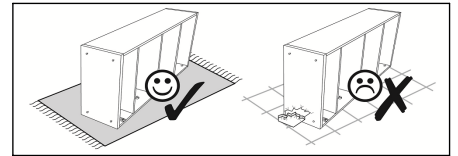
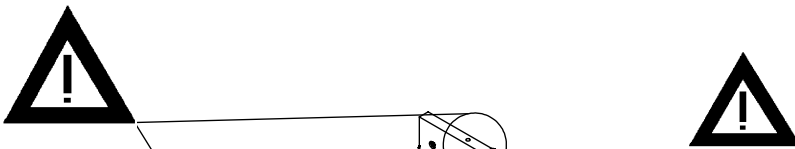


3




A-7x 	B-4x 	C-7x 
Ø15x13mm	Ø7x41mm	Ø8x40mm

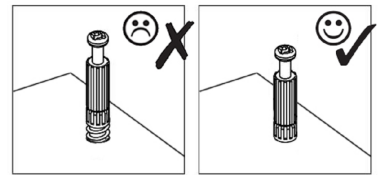
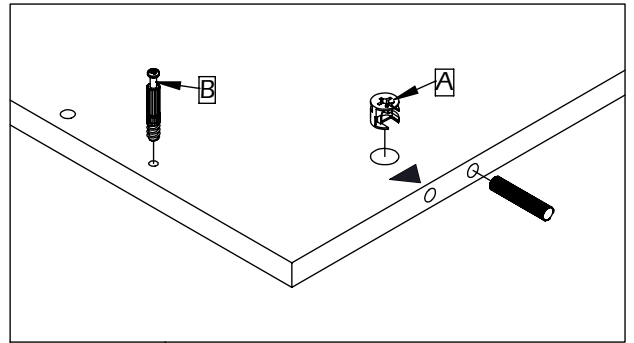
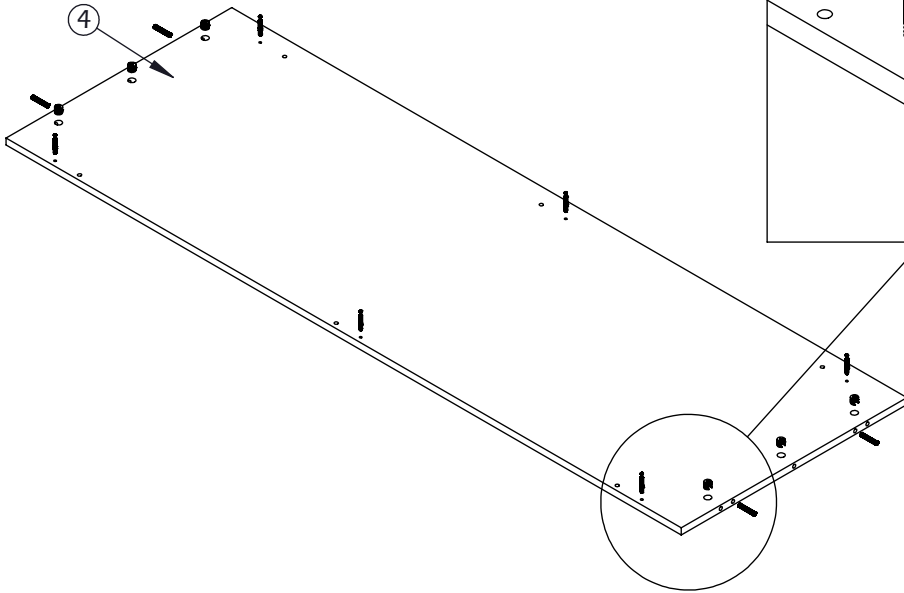
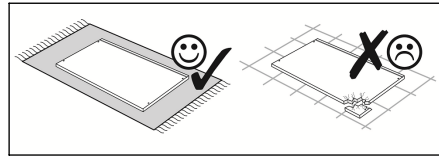


4



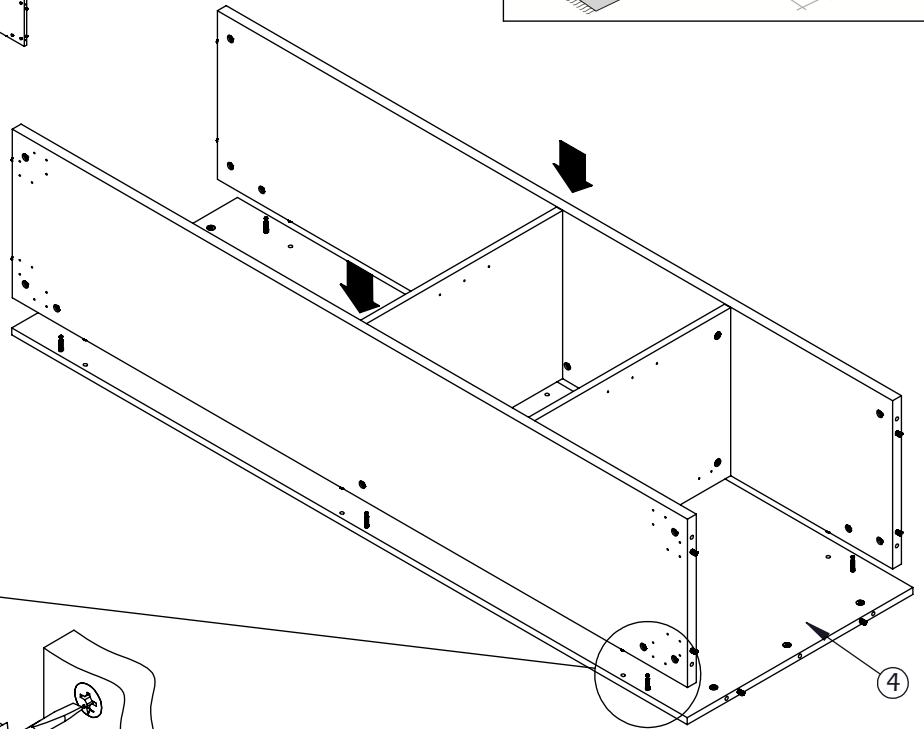
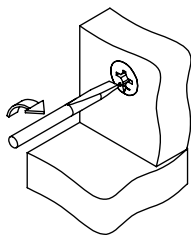
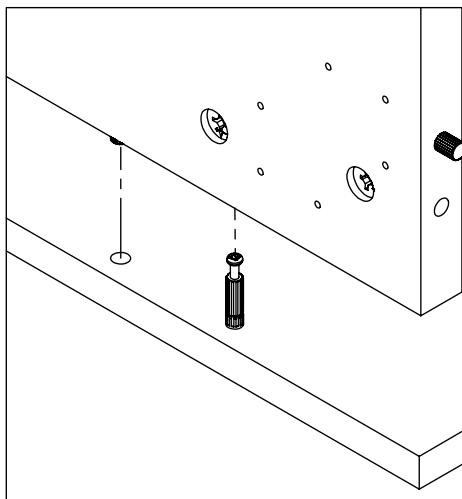
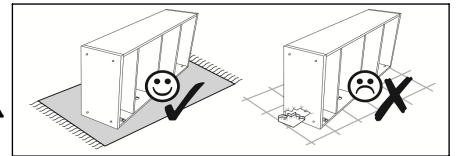
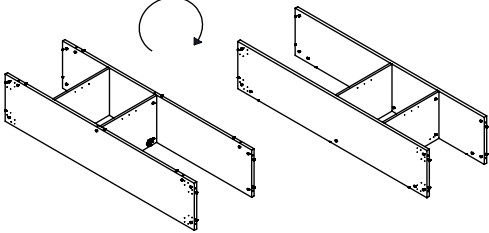
5

A-6x 	B-6x 	C-4x 
Ø15x13mm	Ø7x41mm	Ø8x40mm


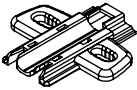



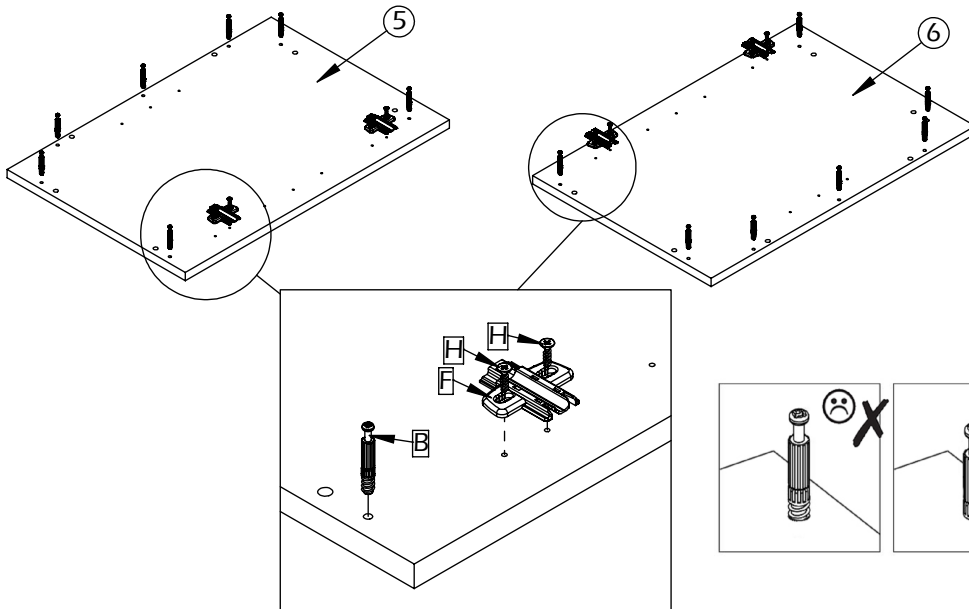
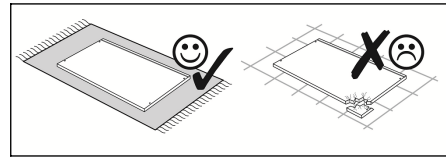
6

180°

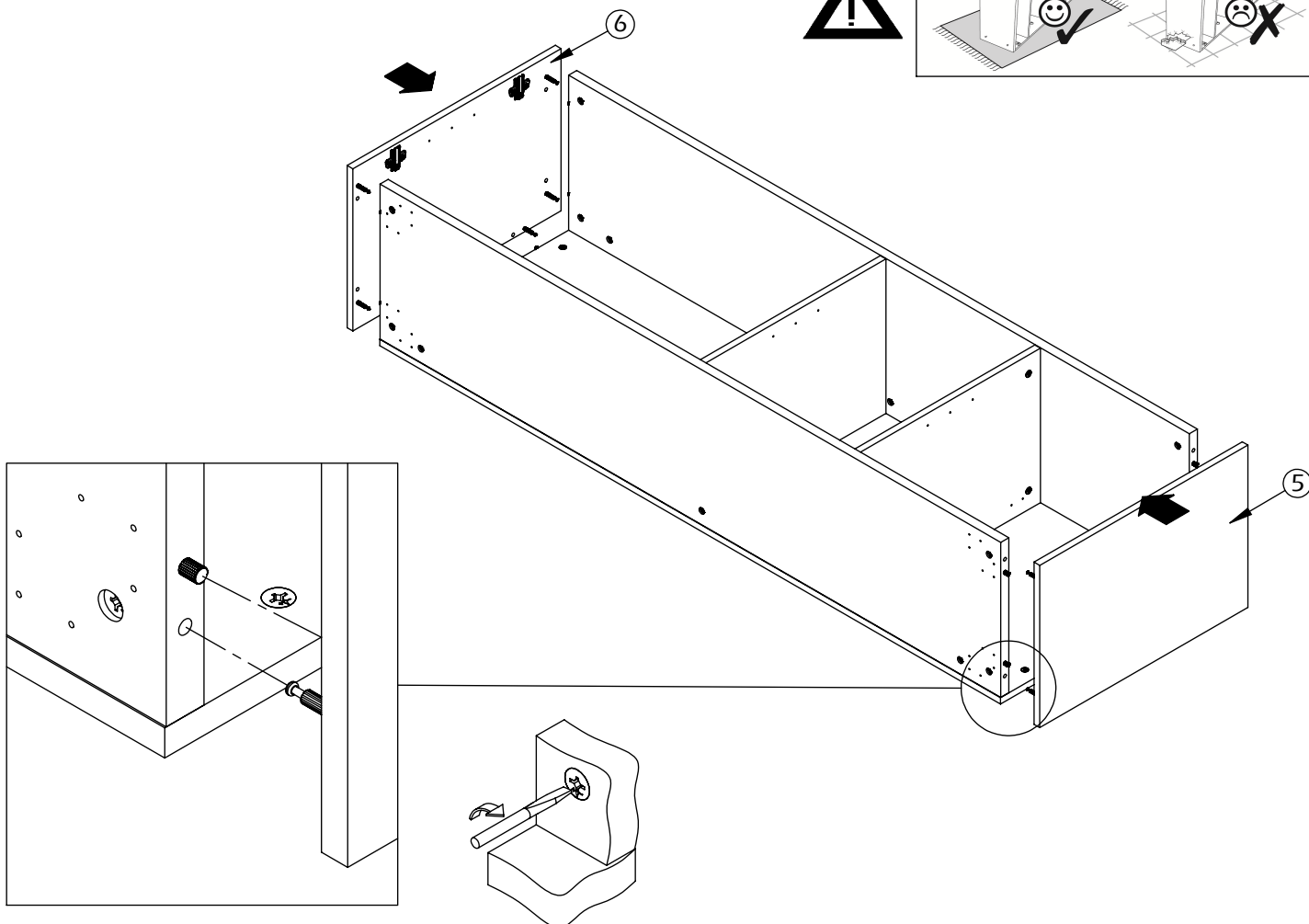
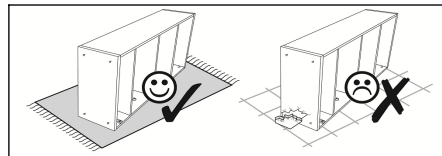


7

B-12x 	F-4x 	I-8x 
Ø7x41mm	52x55x5mm	Ø4x16mm



8

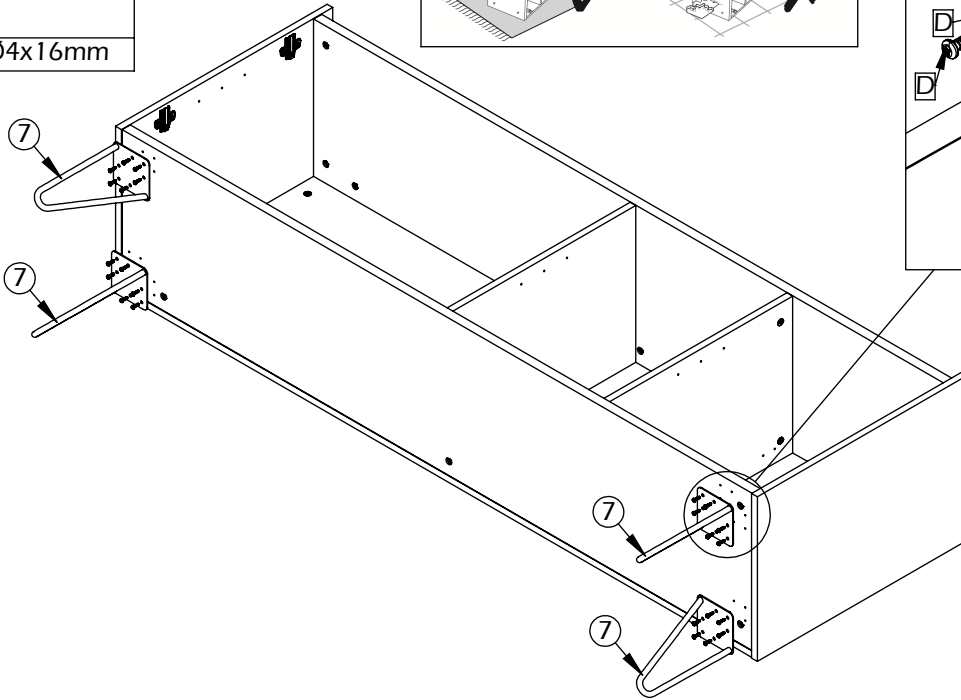
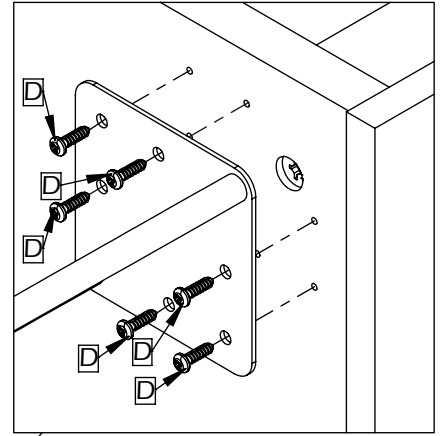
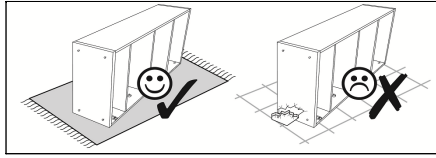


9

D-24x



Ø4x16mm



10

E-12x

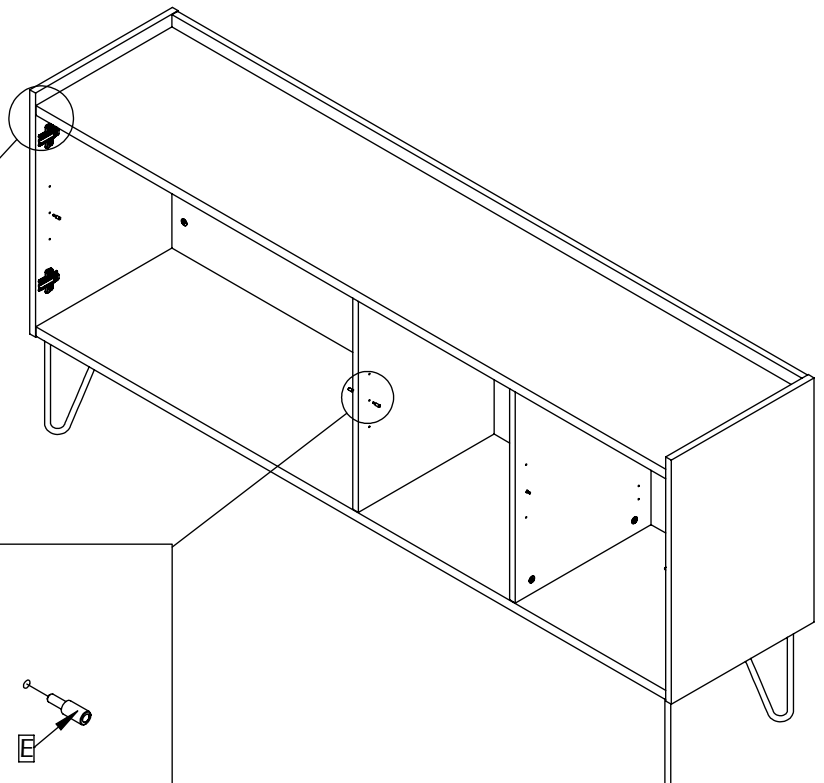
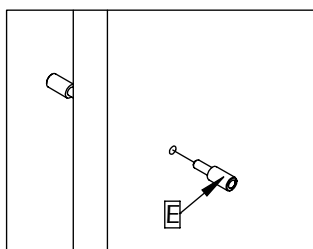
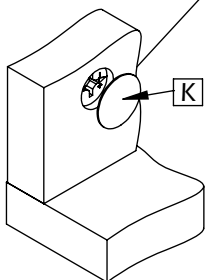
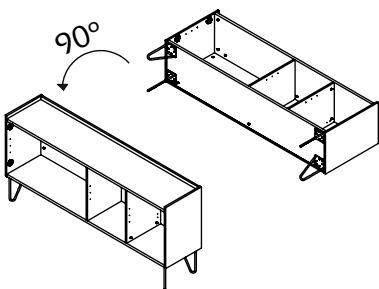
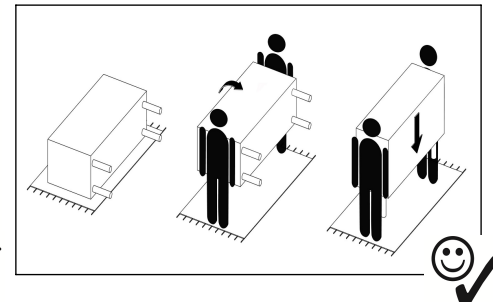
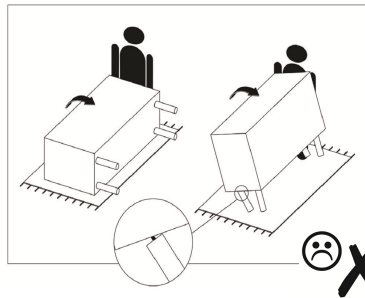


Ø6,5x16mm

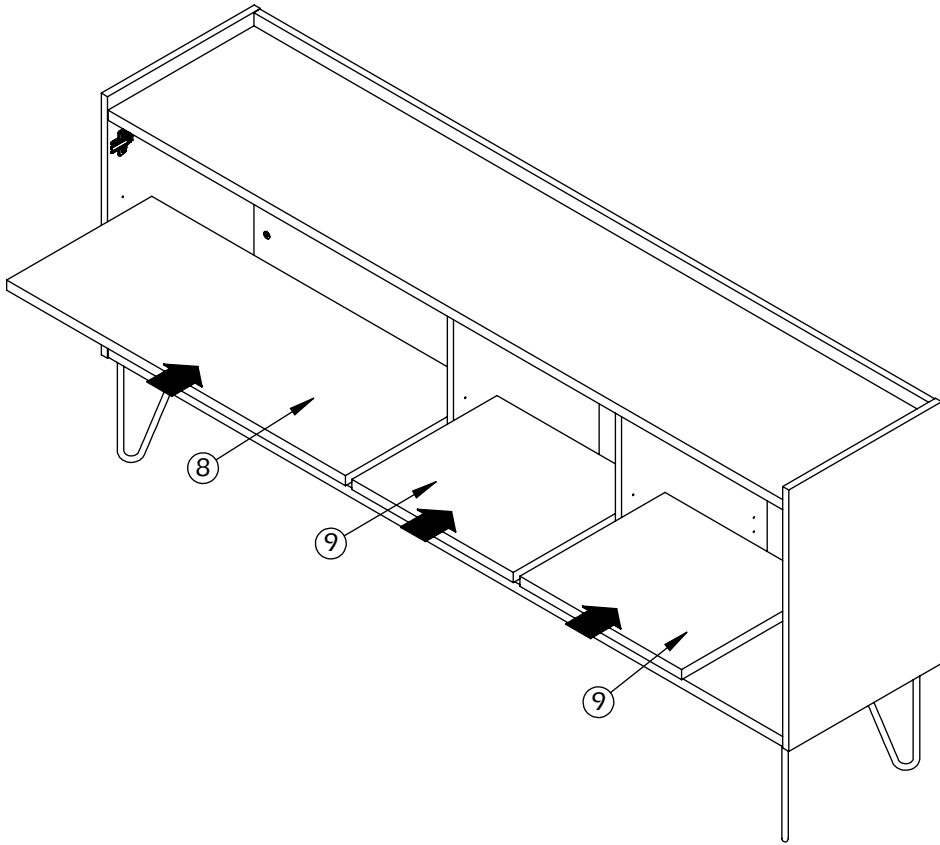
K-10x/14x



Ø20x0,5mm

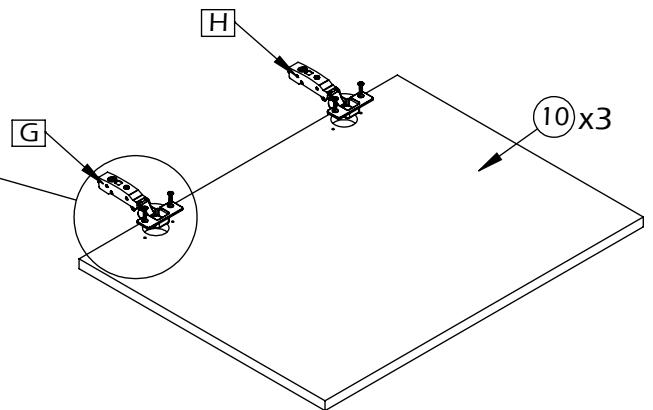
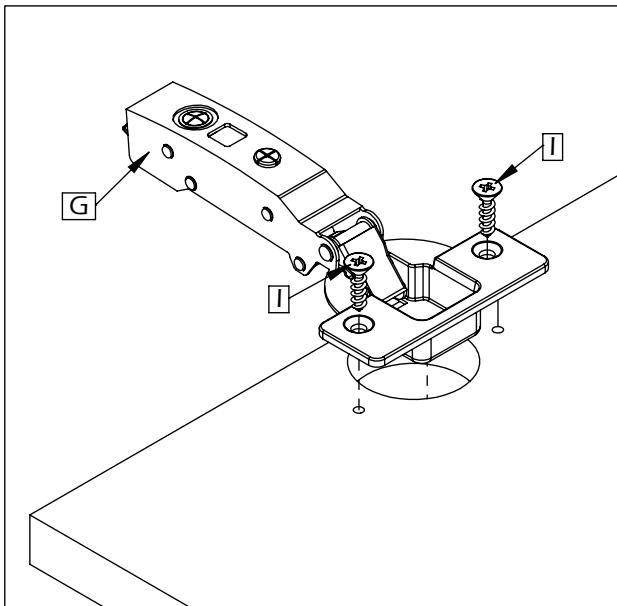
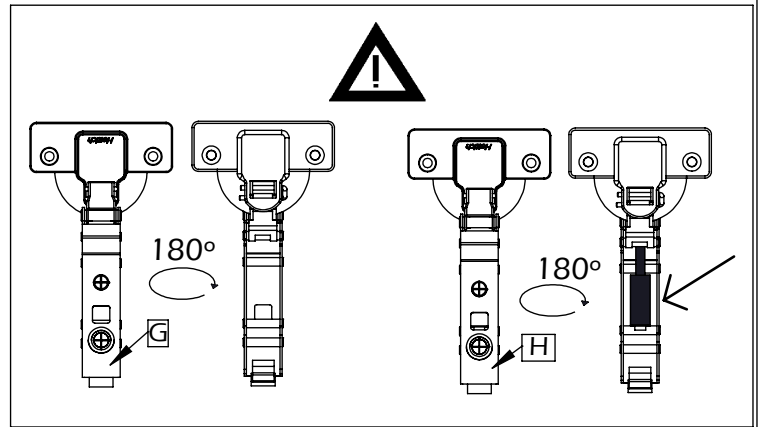
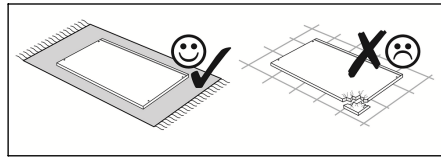


11



12

G-3x	H-3x	I-12x
115x67x35mm	115x67x35mm	Ø4x16mm





13

