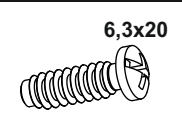
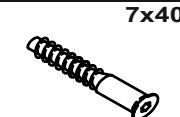


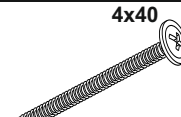

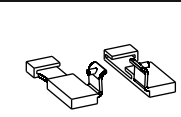
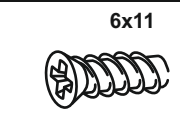
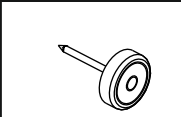


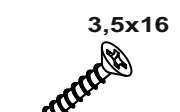
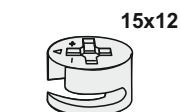
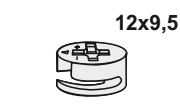
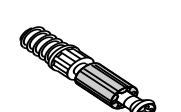
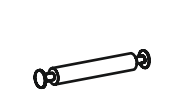
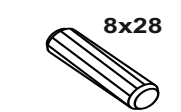
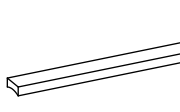
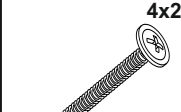
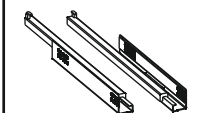
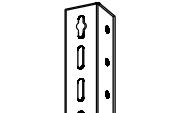
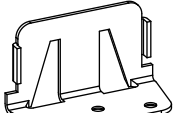
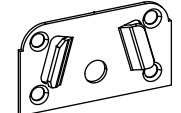
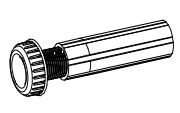
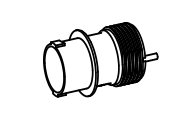
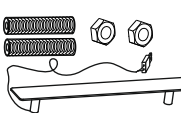
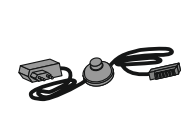
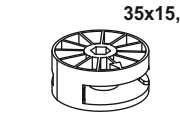
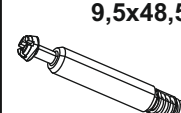
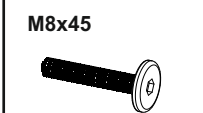
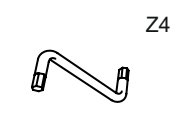
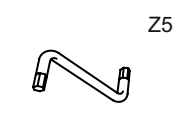
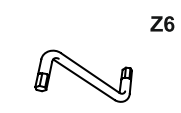
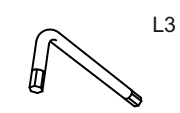
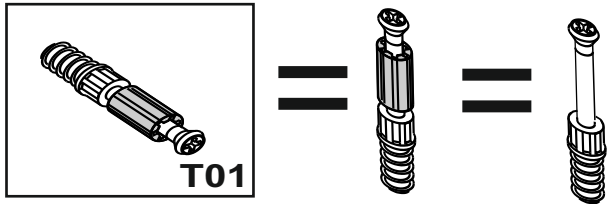
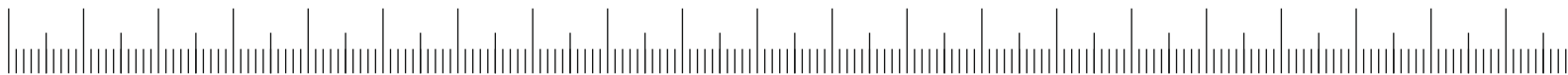
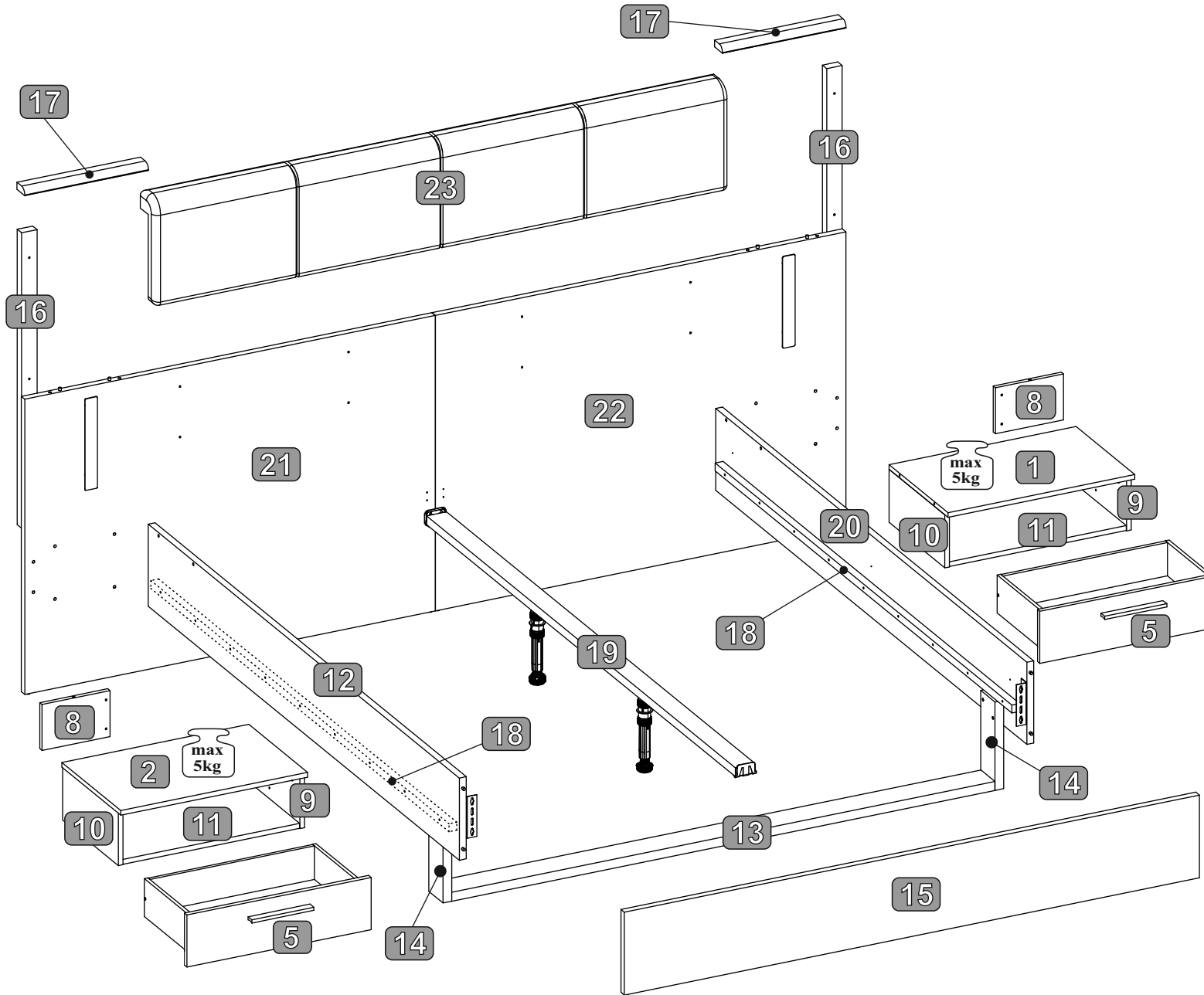
 7x70 18x W70	 6,3x20 16x W29	 7x40 4x W40	 5x40 4x W16	 4x30 4x W23	 4x40 40x W28	 G10 8x	 B12 2xL+R	 6x11 W12 8x	 S01 8x
 3,5x13 8x W02	 R01 8x	 3,5x16 12x W30	 15x12 T02 32x	 12x9,5 T12 4x	 T01 28x	 T03 4x	 8x28 D01 56x	 U50 2x	 4x25 W05 4x
 P05 2xL+R	 L03 2x	 L08 2x	 L08 2x	 NOG 2x	 REG 4x	 O53 2x	 O51 1x	 35x15,2 T14 2x	 9,5x48,5 T13 2x
 M8x45 4x Y08	 Z4 K01 2x	 Z5 K03 1x	 Z6 K04 1x	 L3 K02 1x					

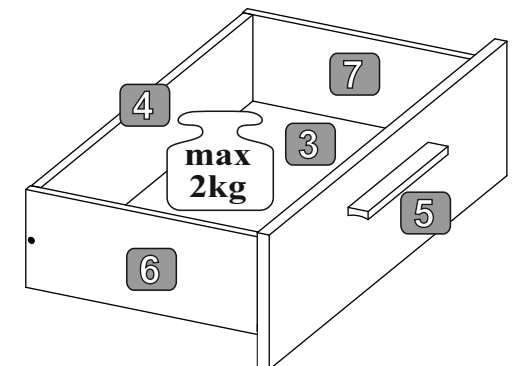


0 10 20 30 40 50 60 70 80 90 100 110 120 130 140 150 160 170 180 190 200

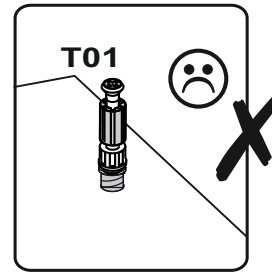
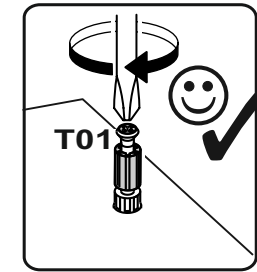
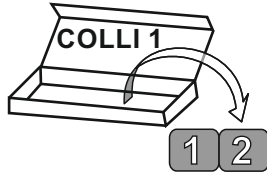
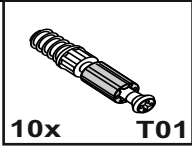




NR	DIM	QTE	COLLI
1	603x380x15	1	1/5
2	603x380x15	1	1/5
3	542x300x2	2	1/5
4	531x120x12	2	1/5
5	595x165x15	2	1/5
6	300x120x12	2	1/5
7	300x120x12	2	1/5
8	152x229x15	2	1/5
9	168x360x15	2	1/5
10	168x360x15	2	1/5
11	571x359x15	2	1/5
12	2010x260x22	1	2/5
13	1754x90x28	1	2/5
14	280x92x28	2	2/5
15	1856x262x22	1	2/5
16	935x50x28	2	2/5
17	399x51x22	2	2/5
18	1916x25x25	2	2/5
19	1993x65x28	1	2/5
20	2010x260x22	1	2/5
21	1325x935x22	1	3/5
22	1325x935x22	1	4/5
23	1854x340x90	1	5/5



1



7,5mm



9,5mm

L

2

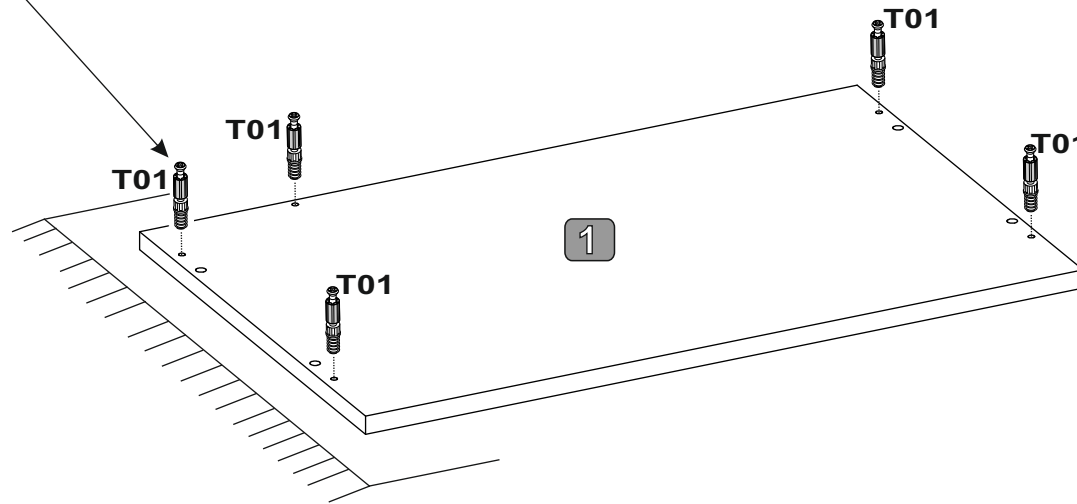
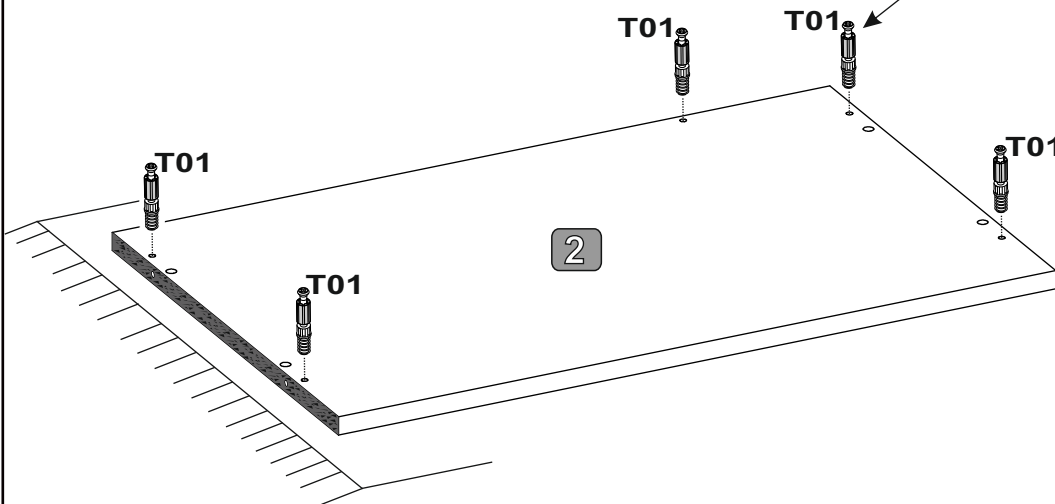
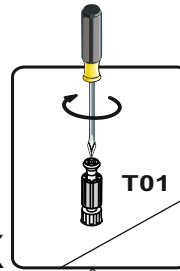
9,5mm

7,5mm

R

1

10x





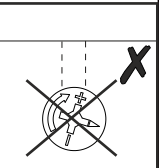
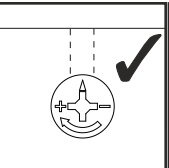
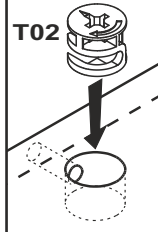

2

15x12 12x T02	8x28 8x D01	2x T01
---------------------	-------------------	-----------

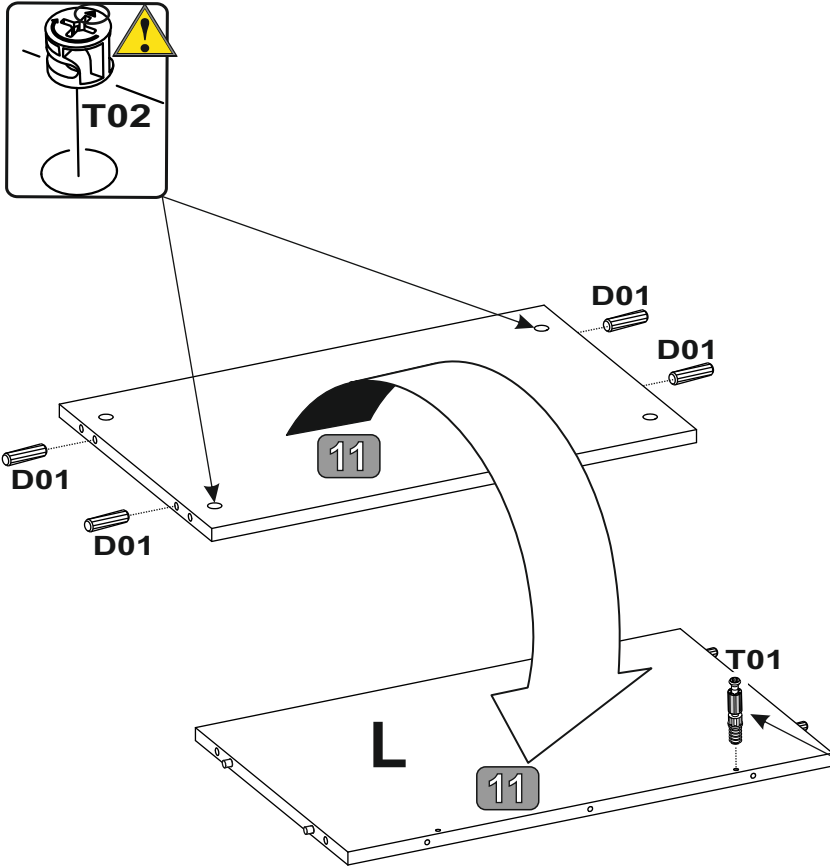

COLLI 1

8 11

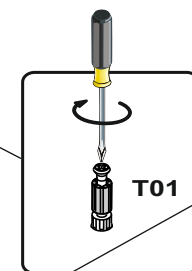
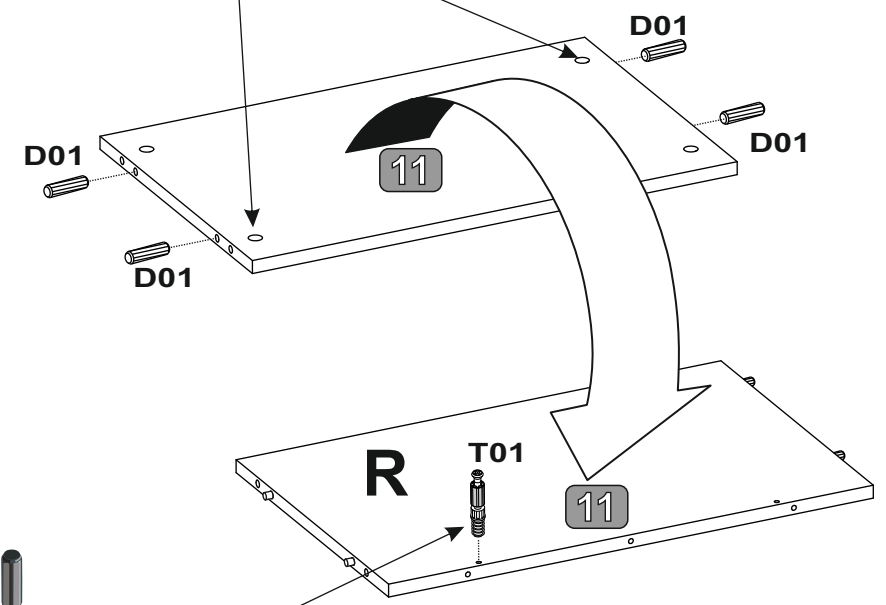

4x T02



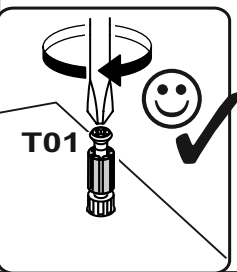
4x T02



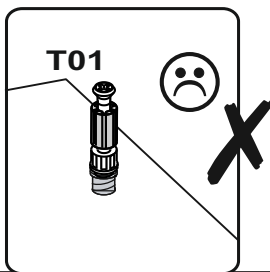
4x T02



T01

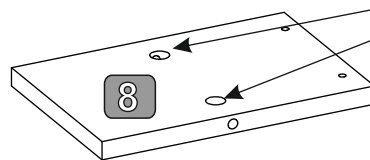


T01

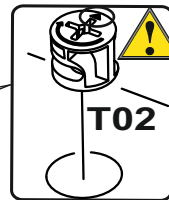



T01

[2x]

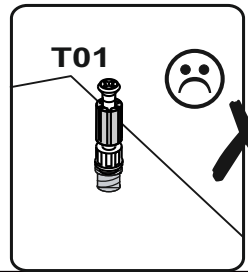
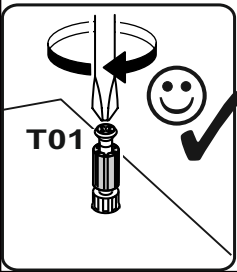
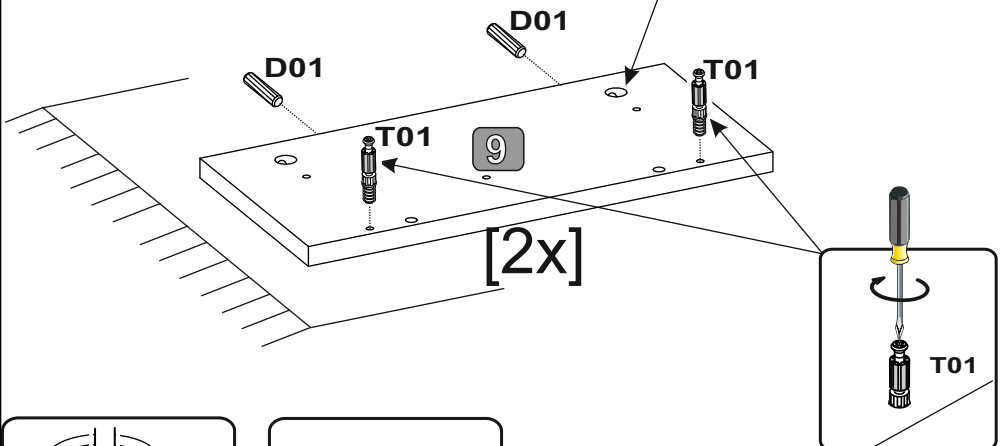
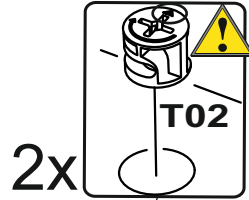
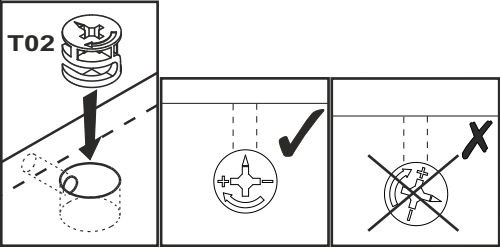
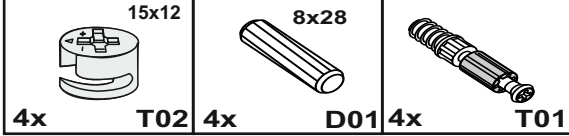


8 11

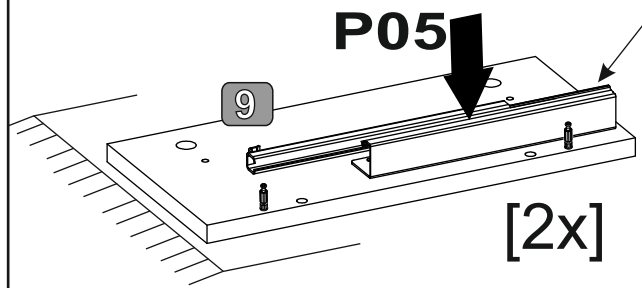
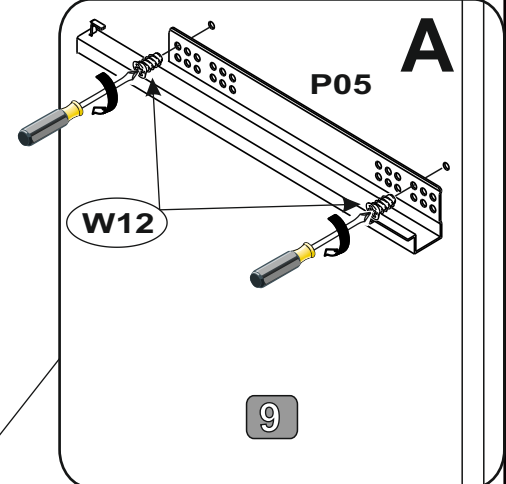
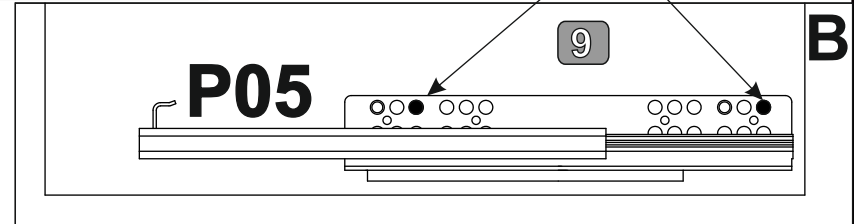
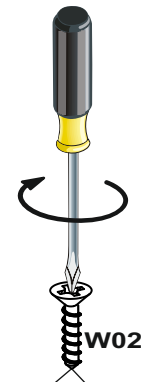
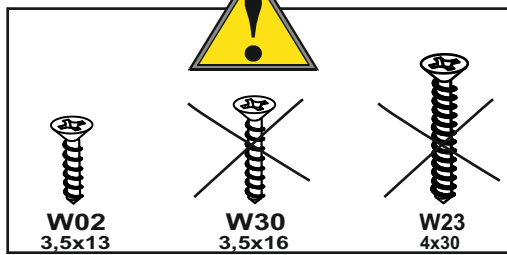
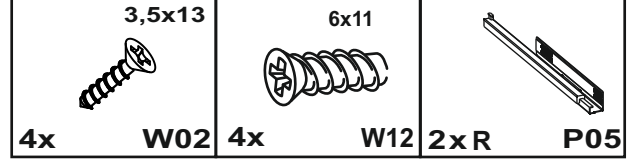


T02

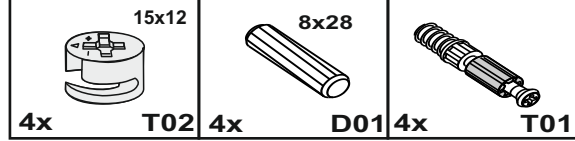
3



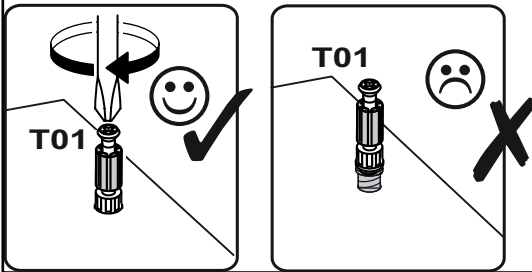
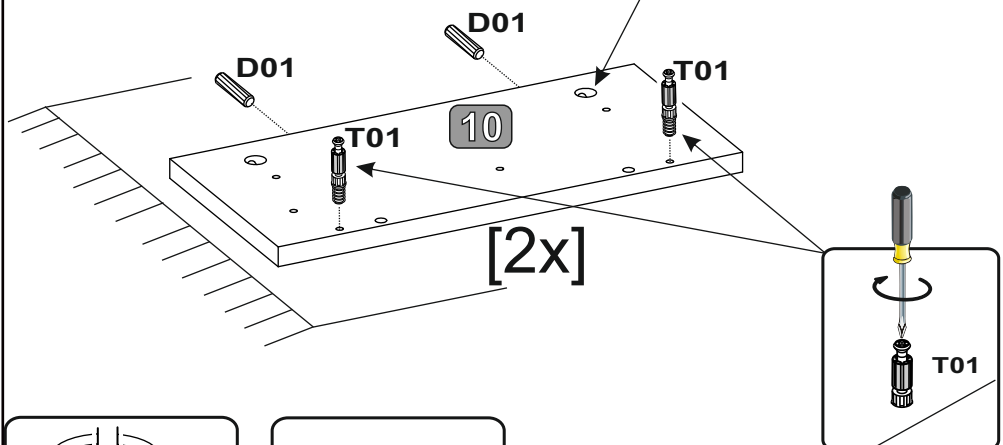
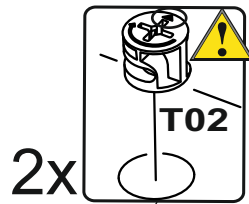
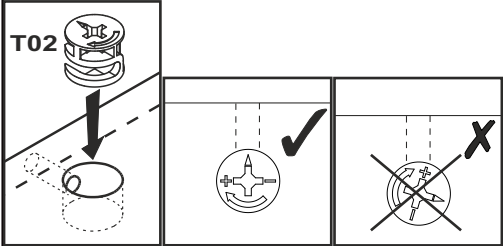
4



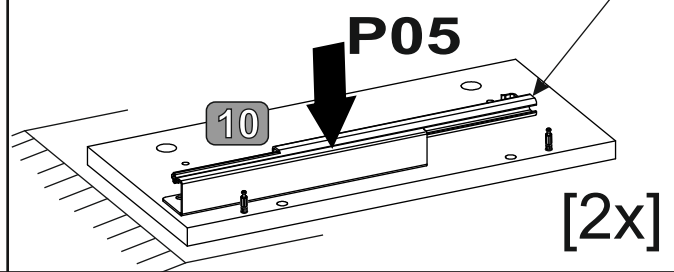
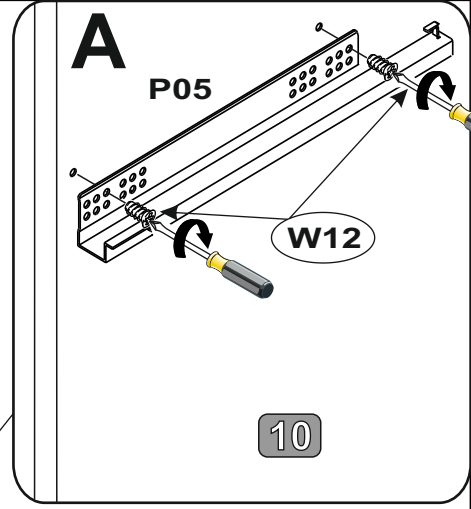
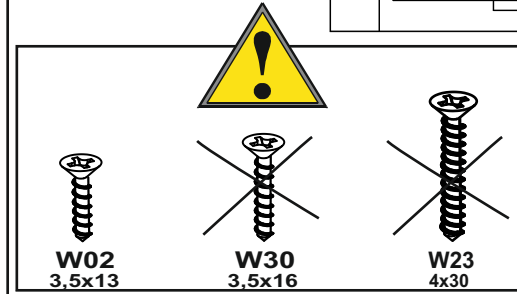
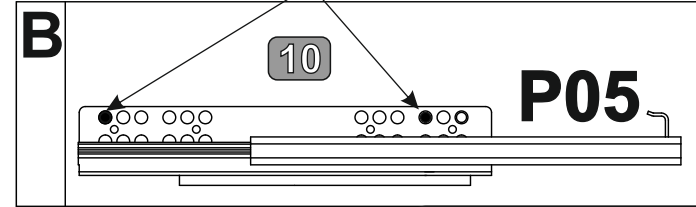
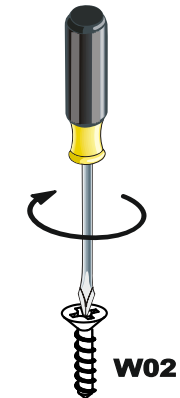
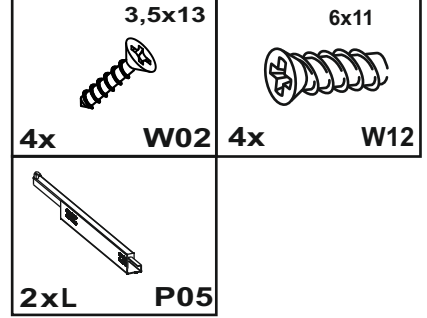
5



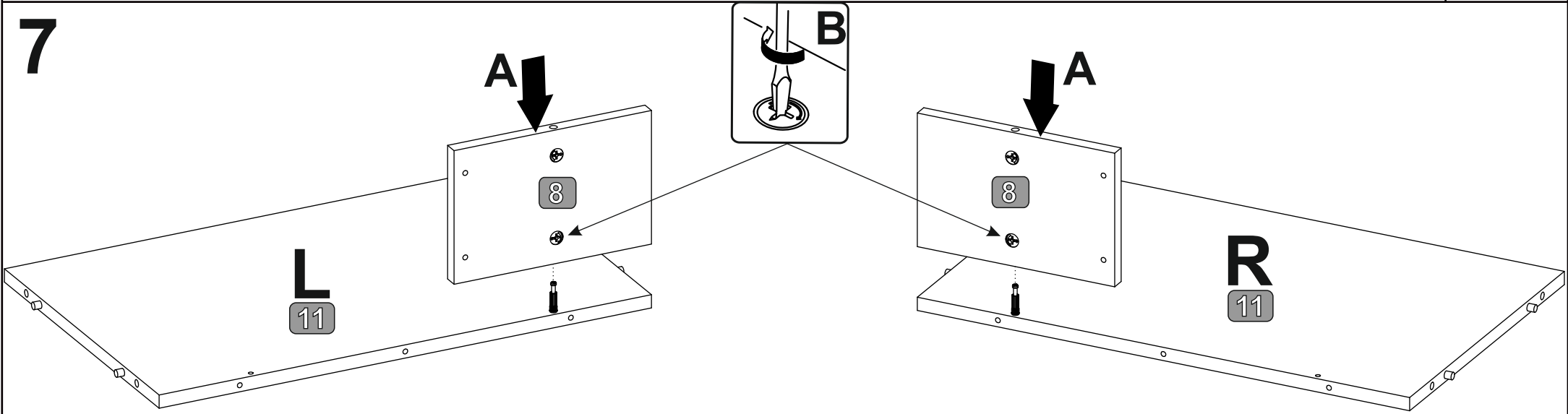
10



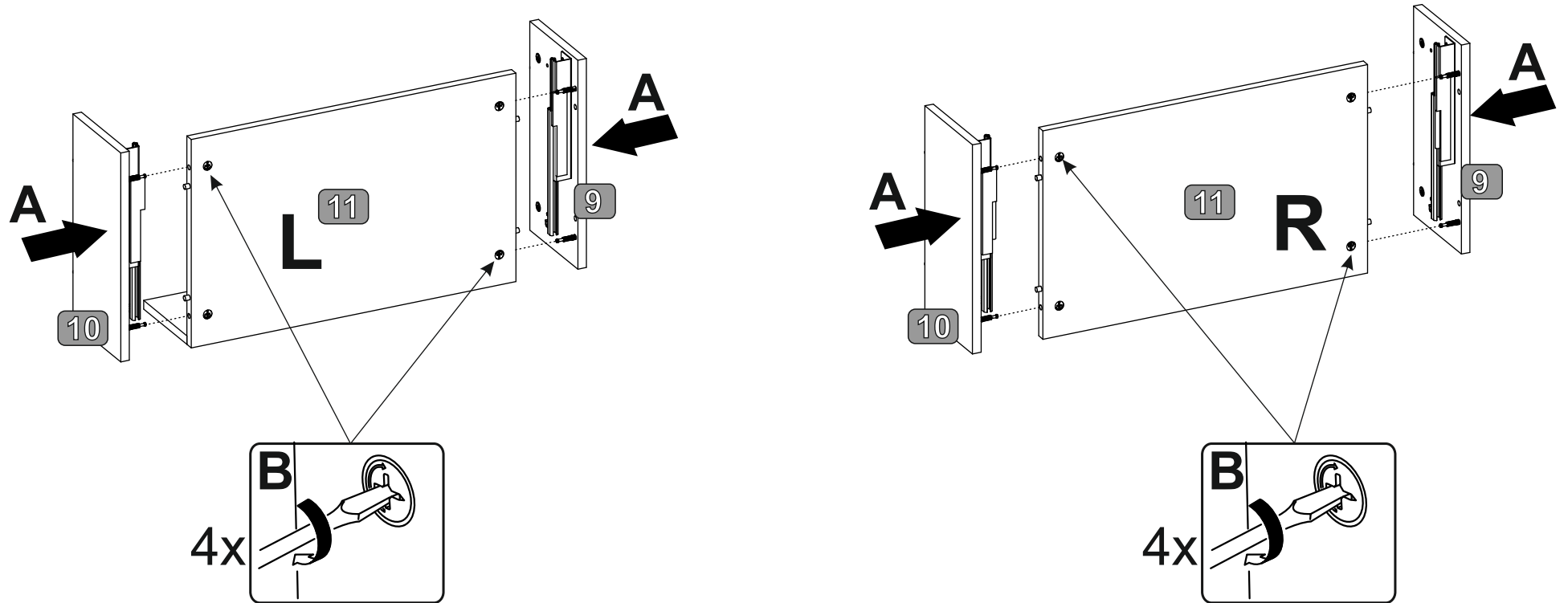
6



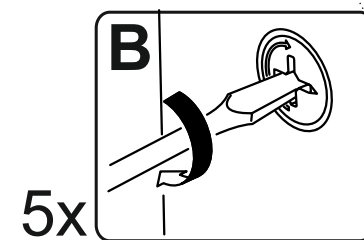
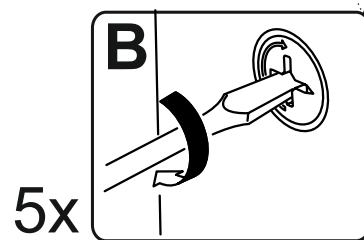
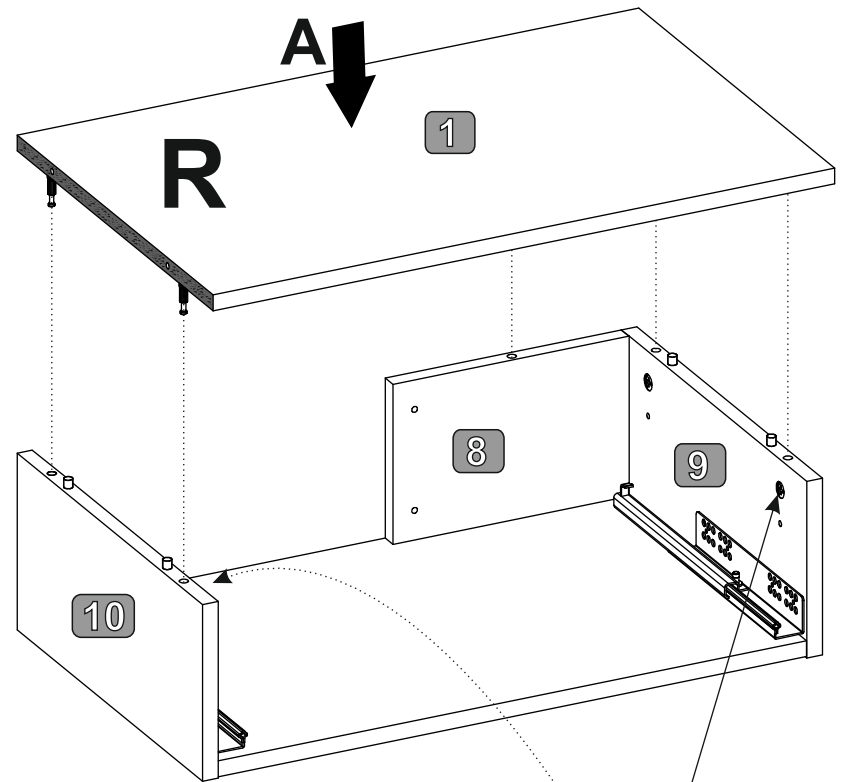
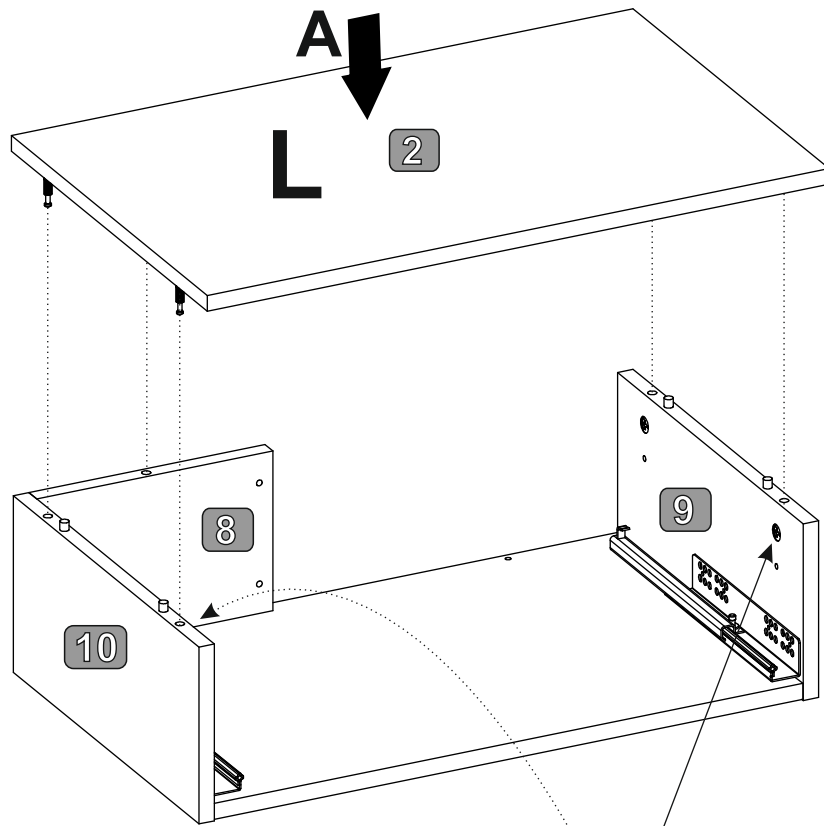
7



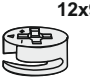

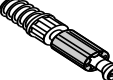
8




9



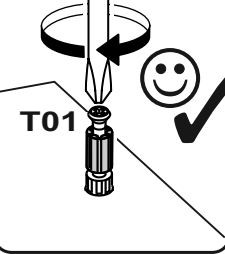
10

12x9,5  4x T12	8x28  16x D01	 4x T01
---	--	---

COLLI 1

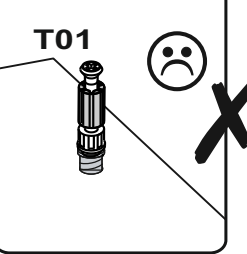


3 4 5 6 7



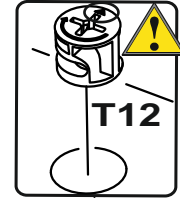
T01

☺ ✓



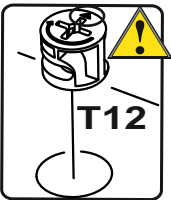
T01

☹ ✗



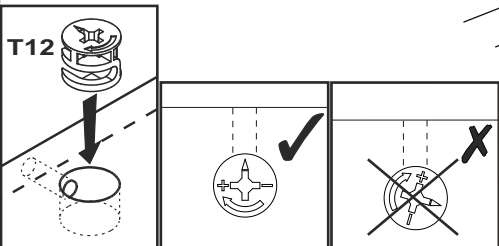
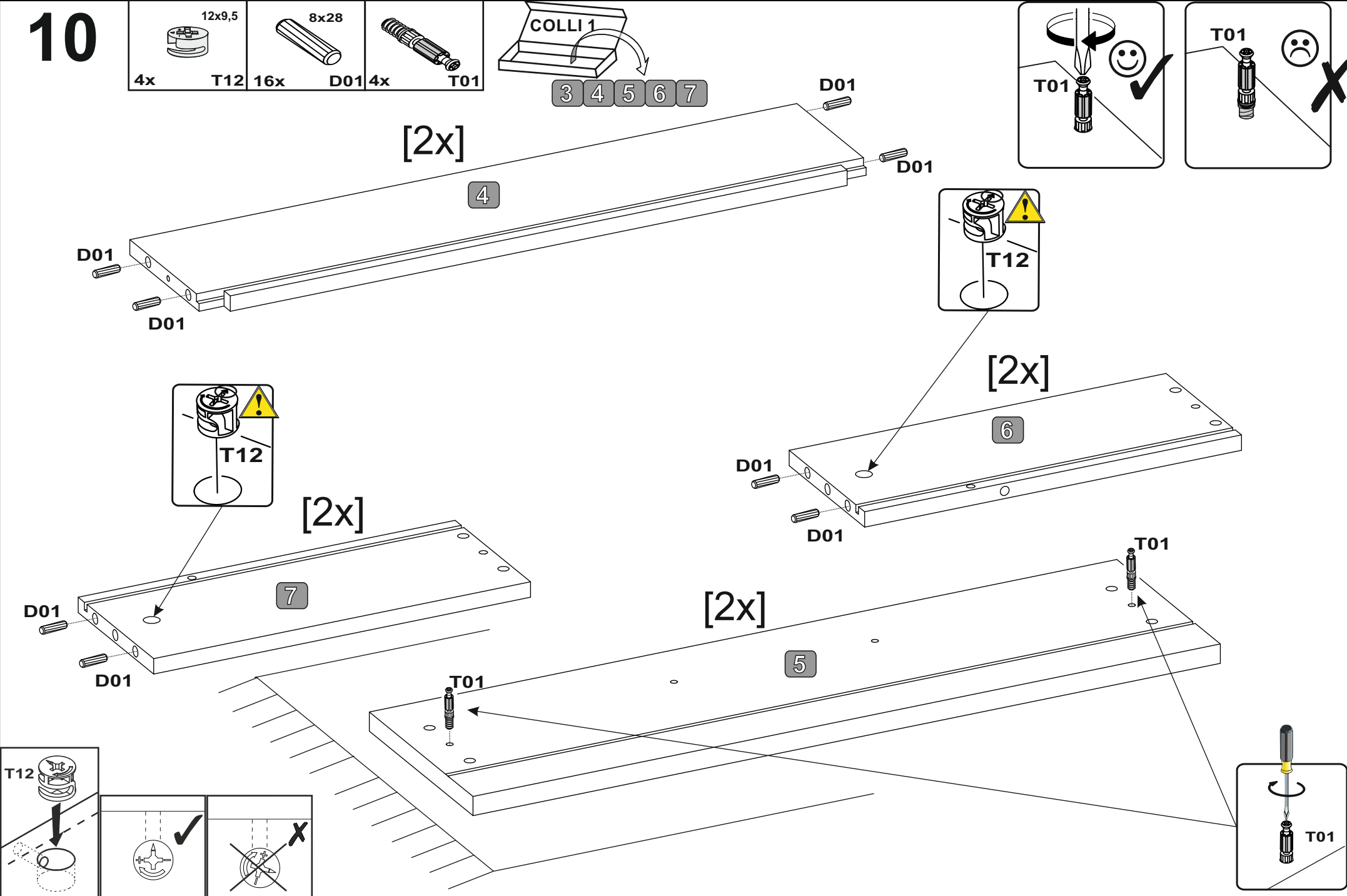
T12

⚠



T12

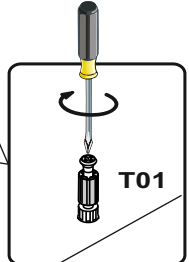
⚠



T12

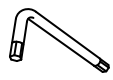



☺ ✓

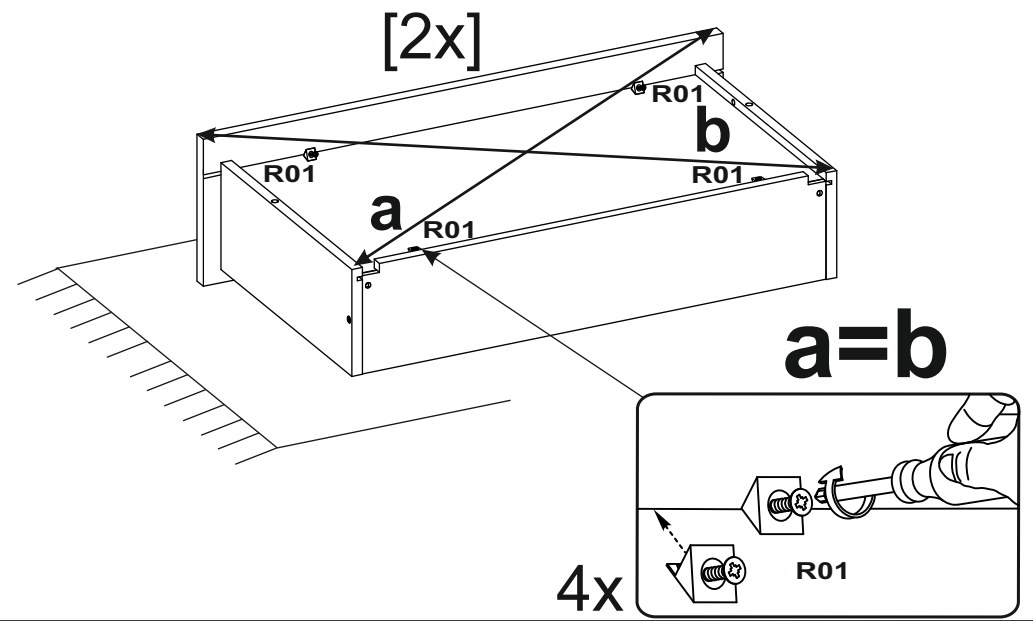
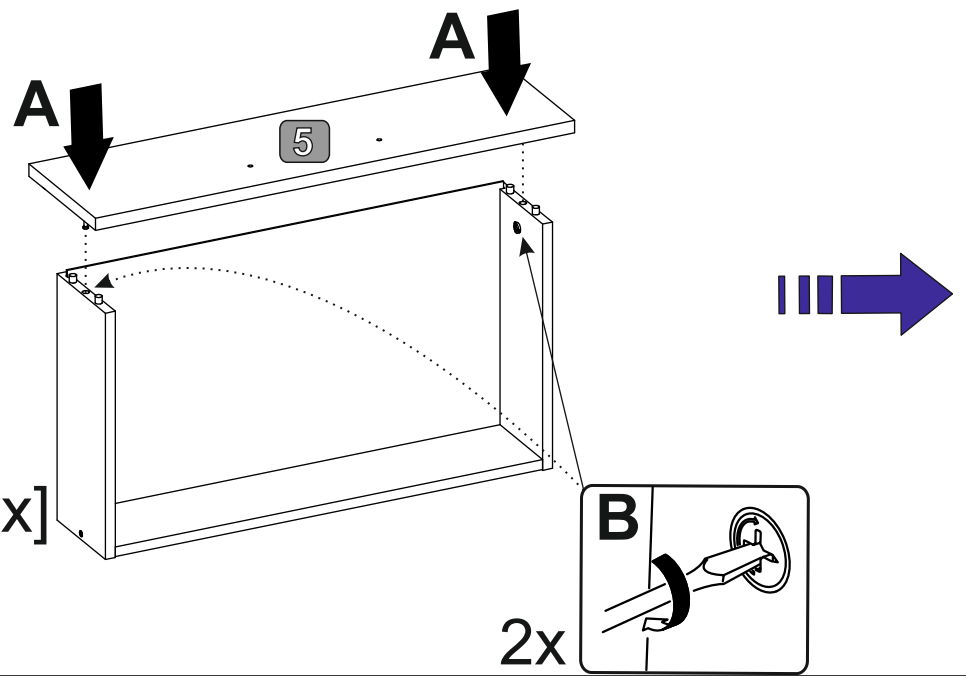
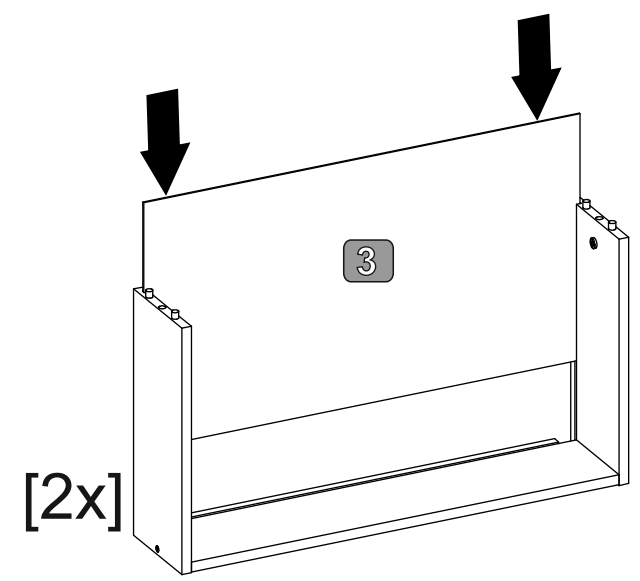
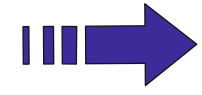
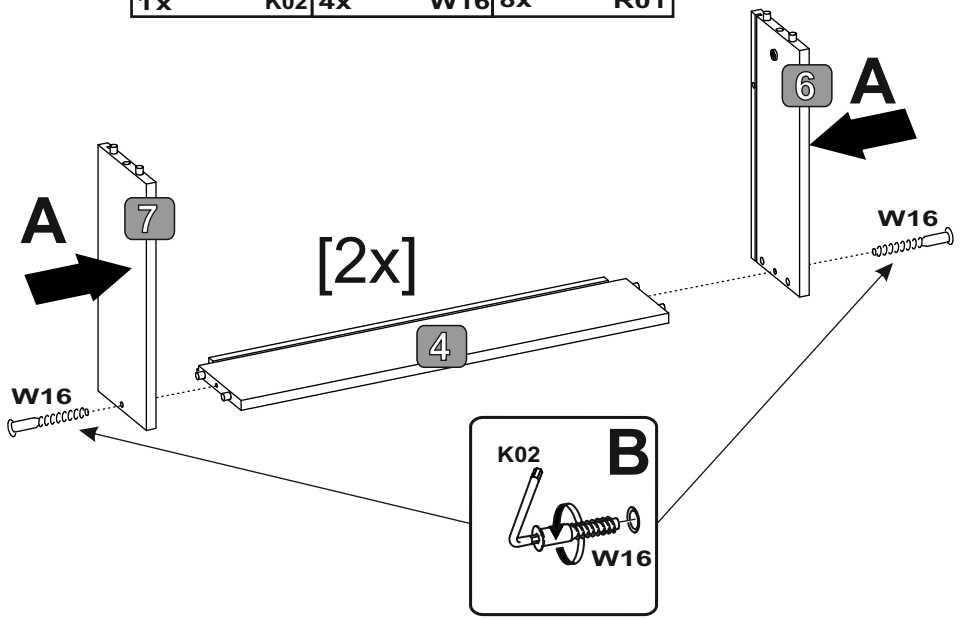
☹ ✗



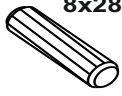
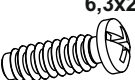

T01

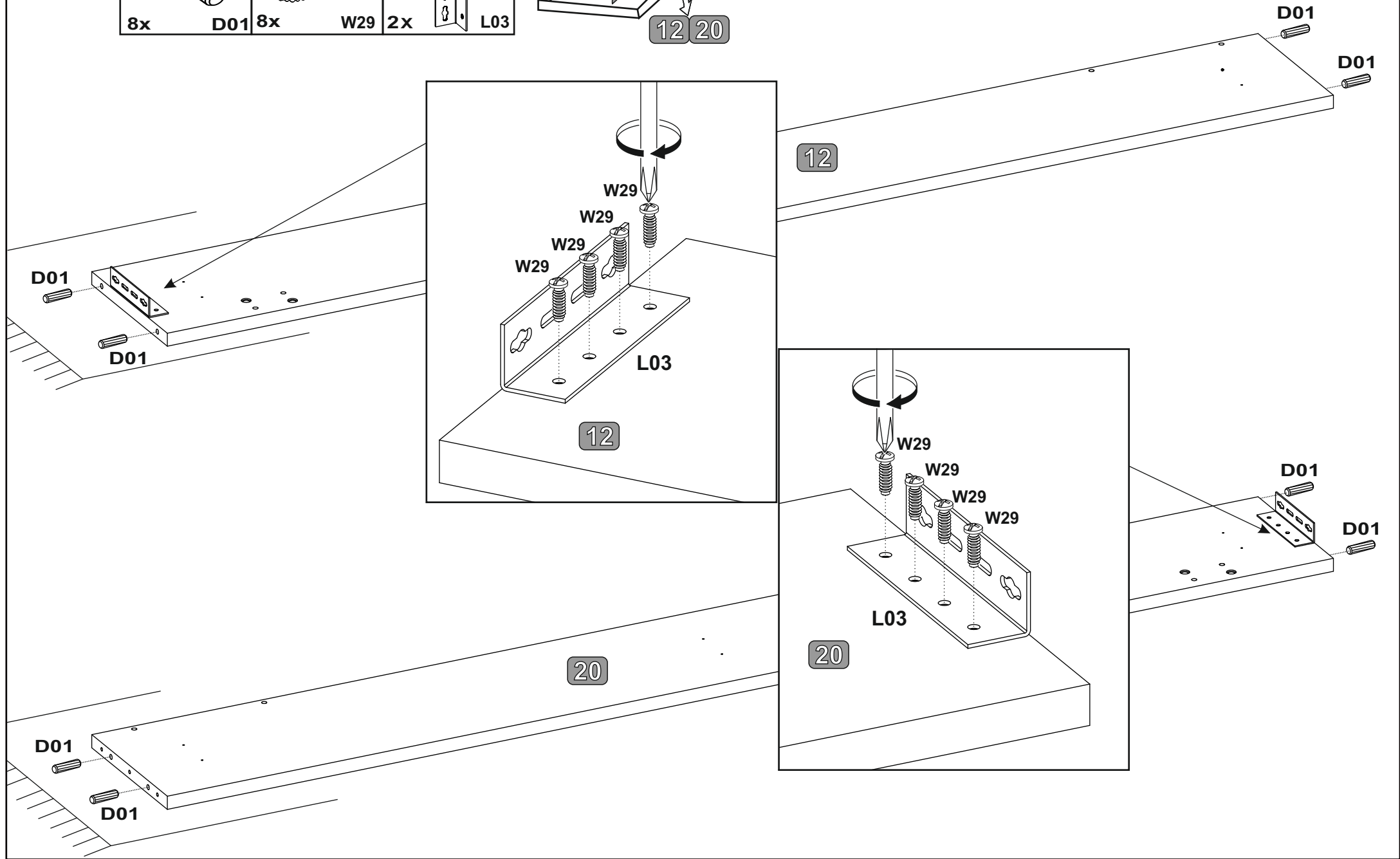
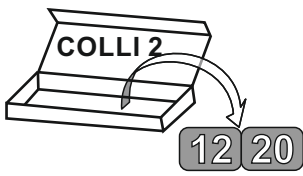
11

 L3 1x	 K02 4x	 5x40 W16 8x	 R01 8x
---	--	--	--



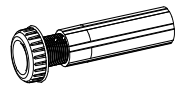
12

 8x28	 6,3x20	
8x D01	8x W29	2x L03





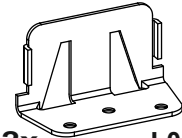
13



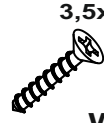
2x NOG



4x REG



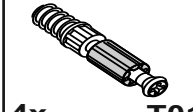
2x L08



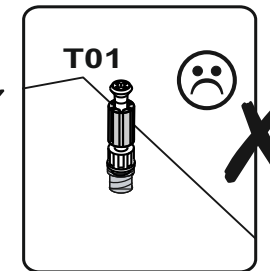
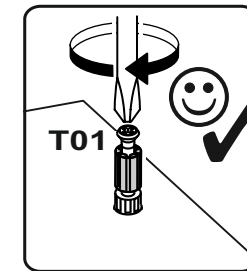
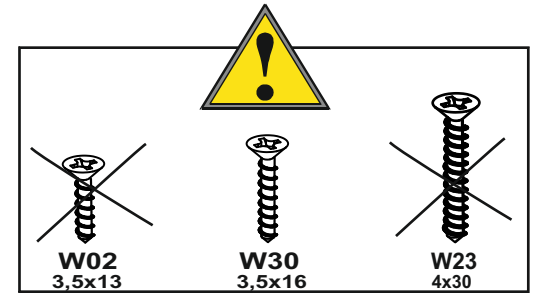
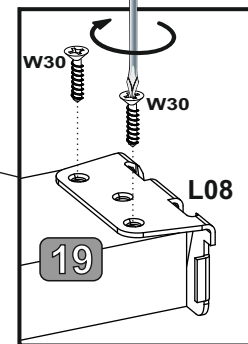
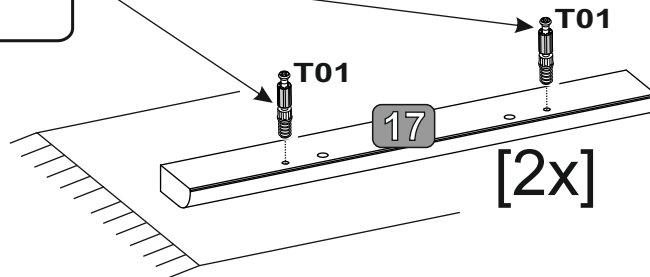
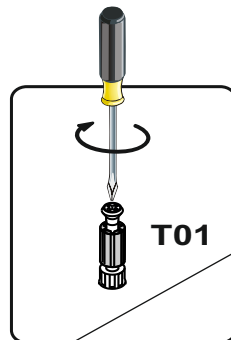
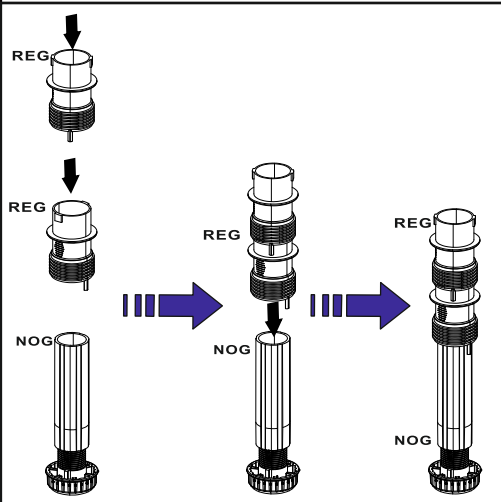
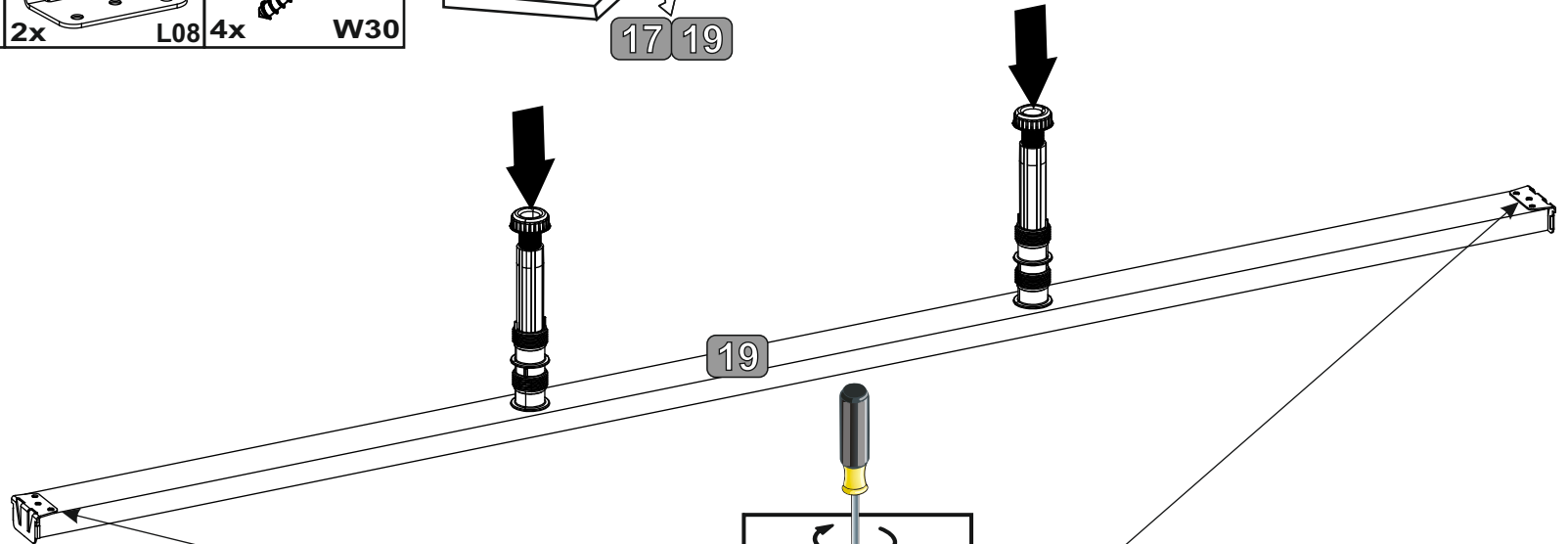
3,5x16  
4x W30



17 19

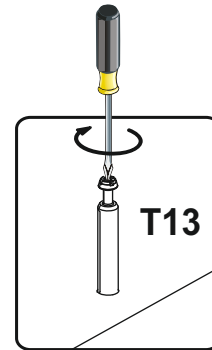
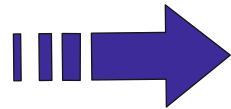
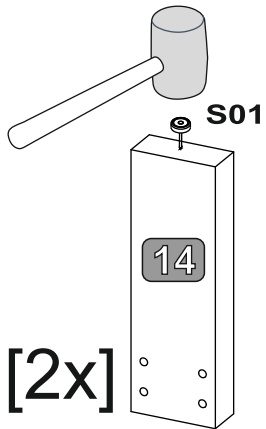
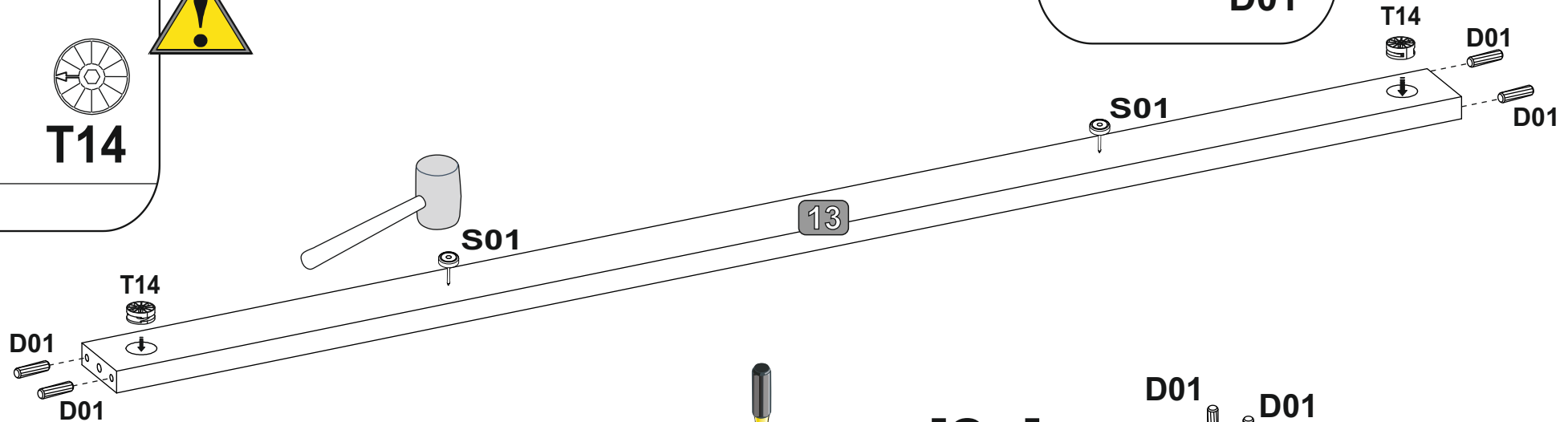
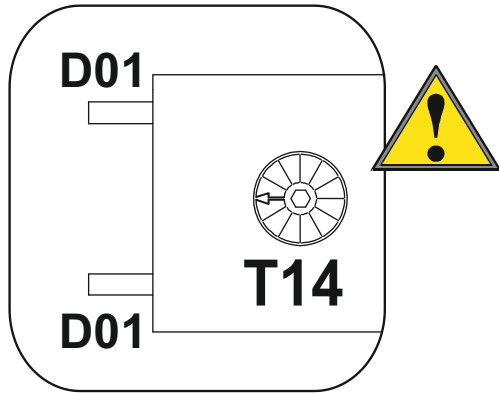
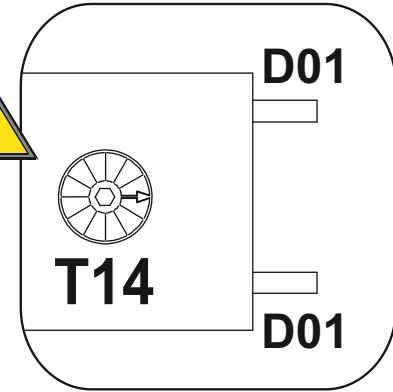
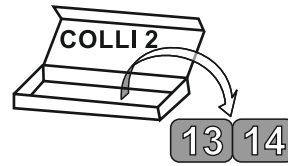


4x T01

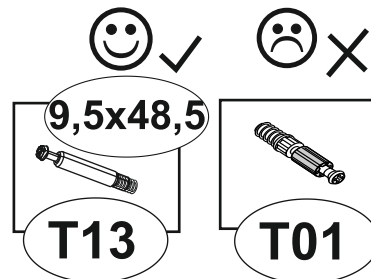
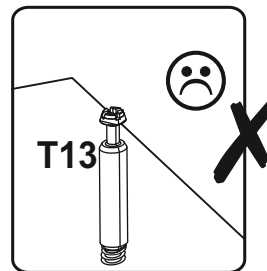
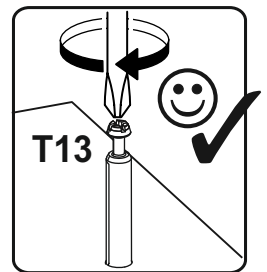
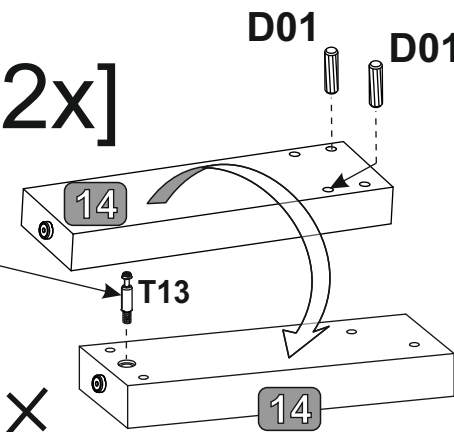


14

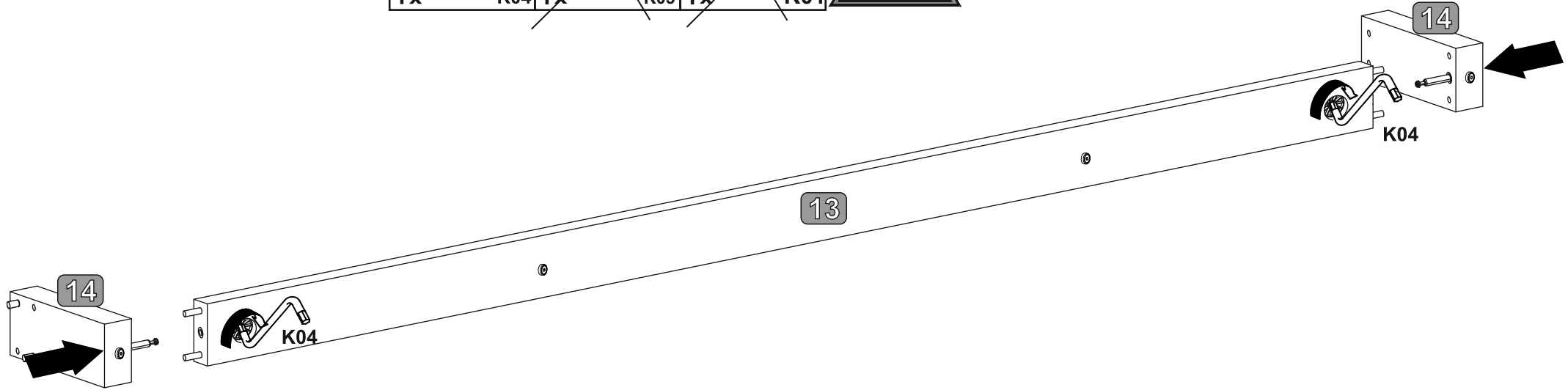
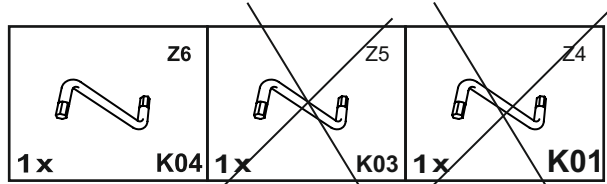
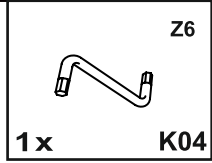
- 4x S01
- 2x T14 <sup>35x15,2</sup>
- 2x T13 <sup>9,5x48,5</sup>
- 8x D01 <sup>8x28</sup>



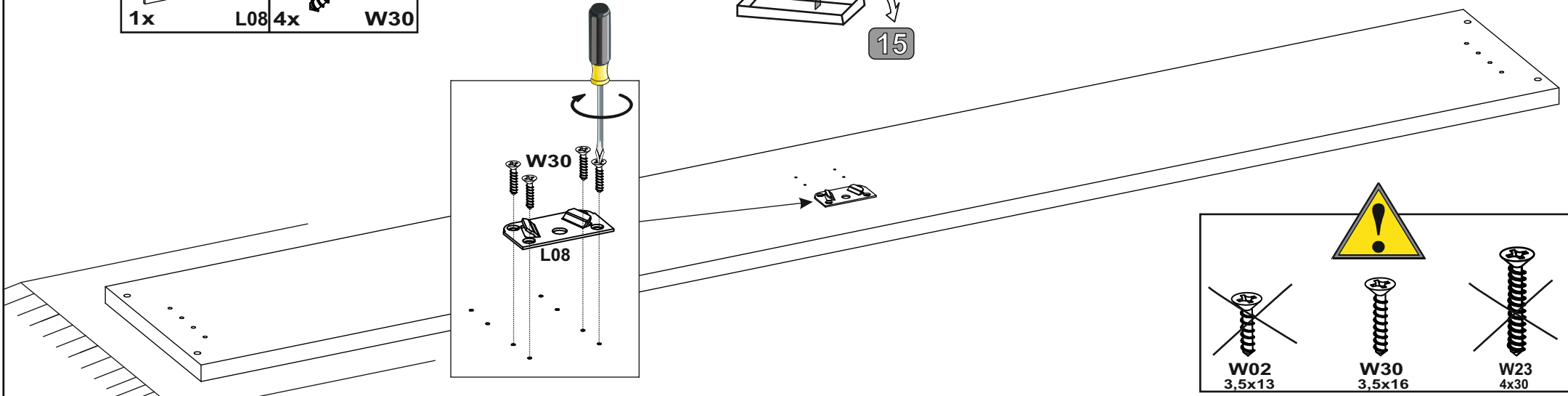
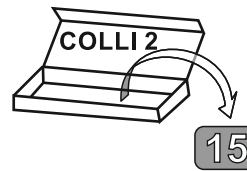
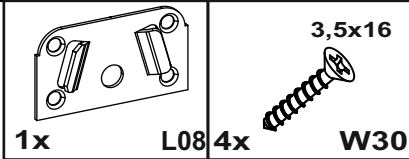
[2x]






15

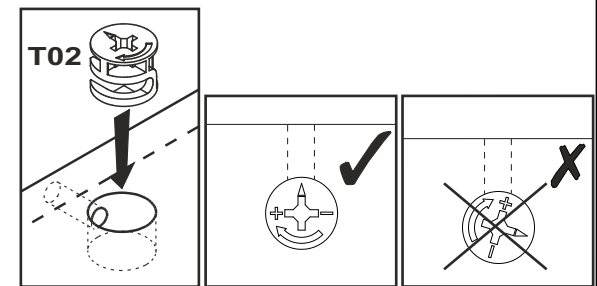
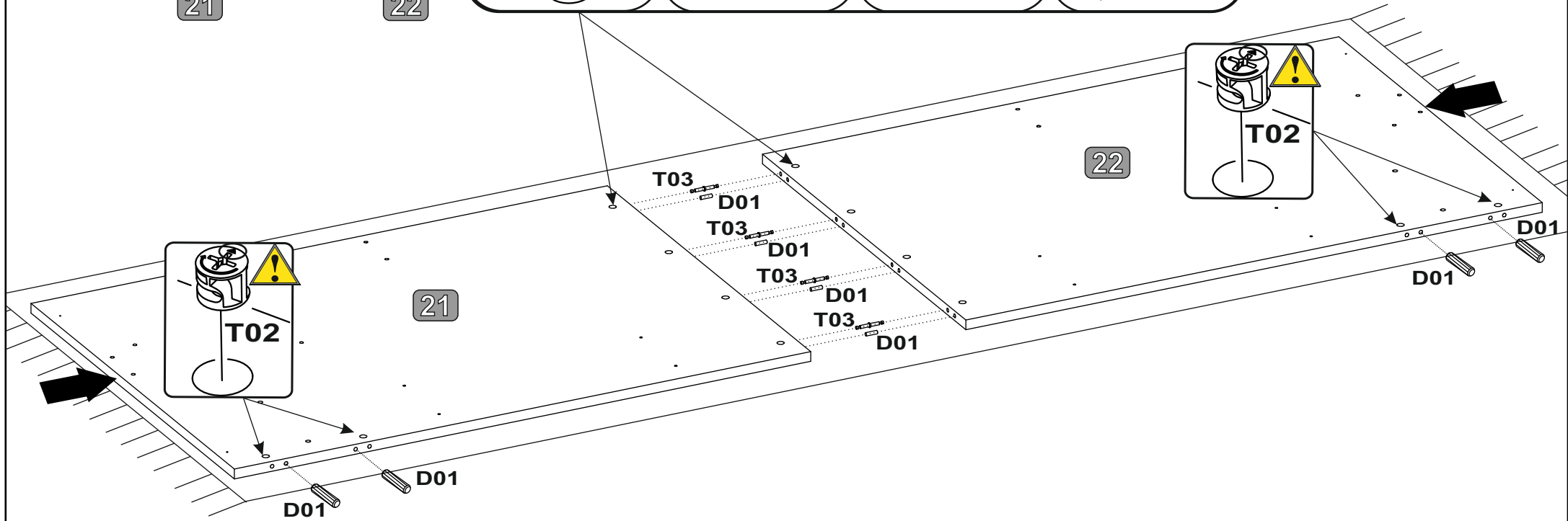
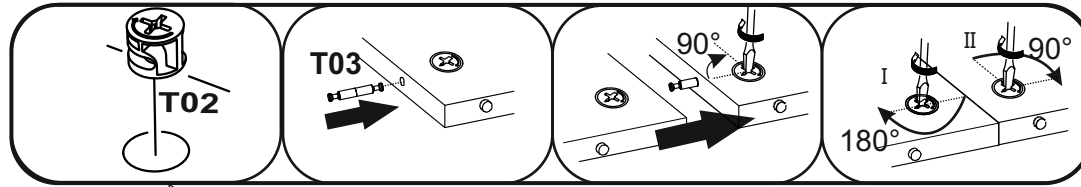
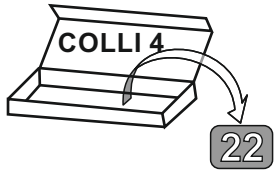
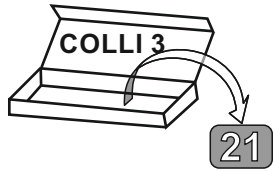


16

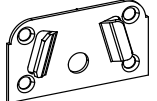
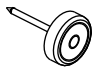



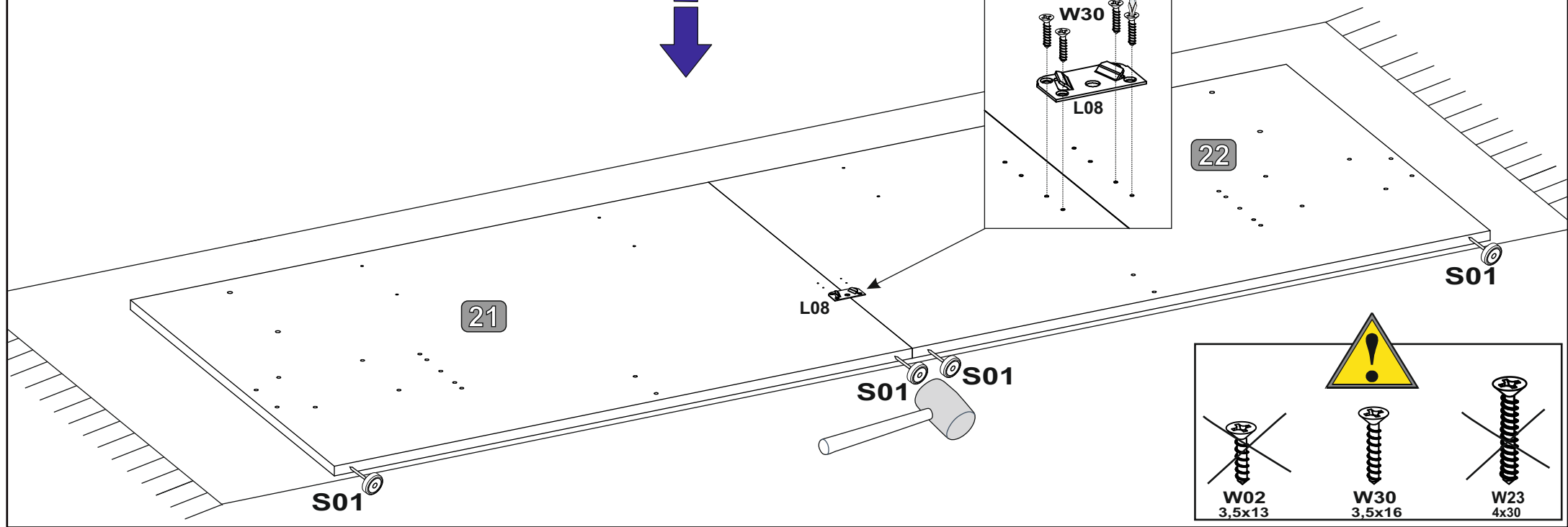
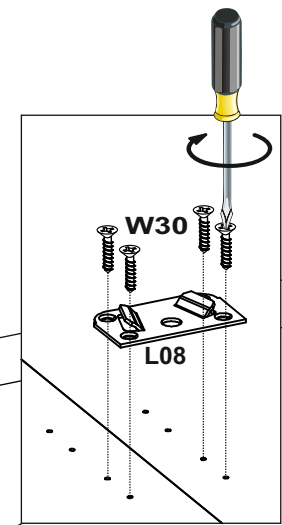
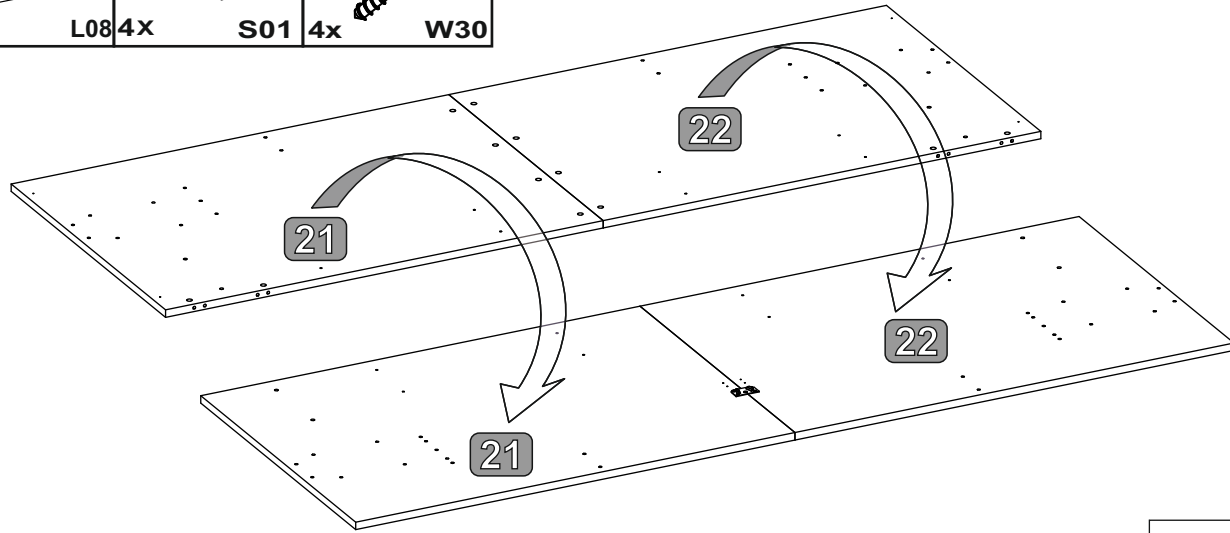
17



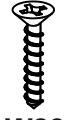
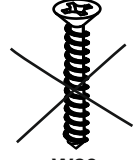
 15x12 12x T02	 4x T03	 8x28 8x D01
---	---	---



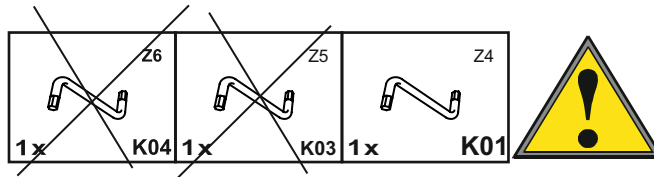
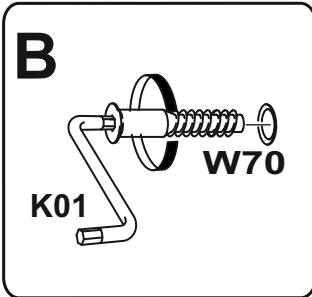
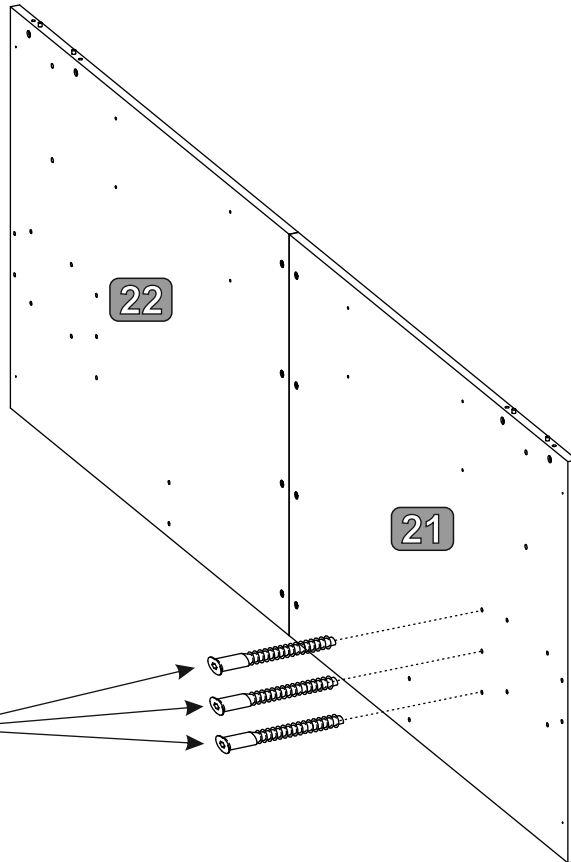
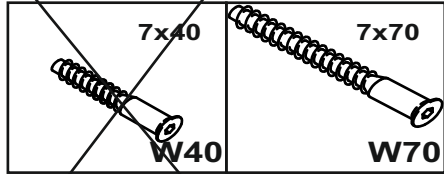
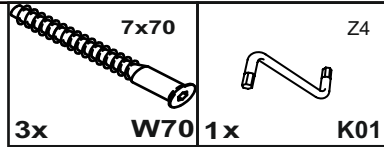
18

 1x L08	 4x S01	 4x W30
--	---	---

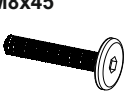
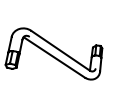


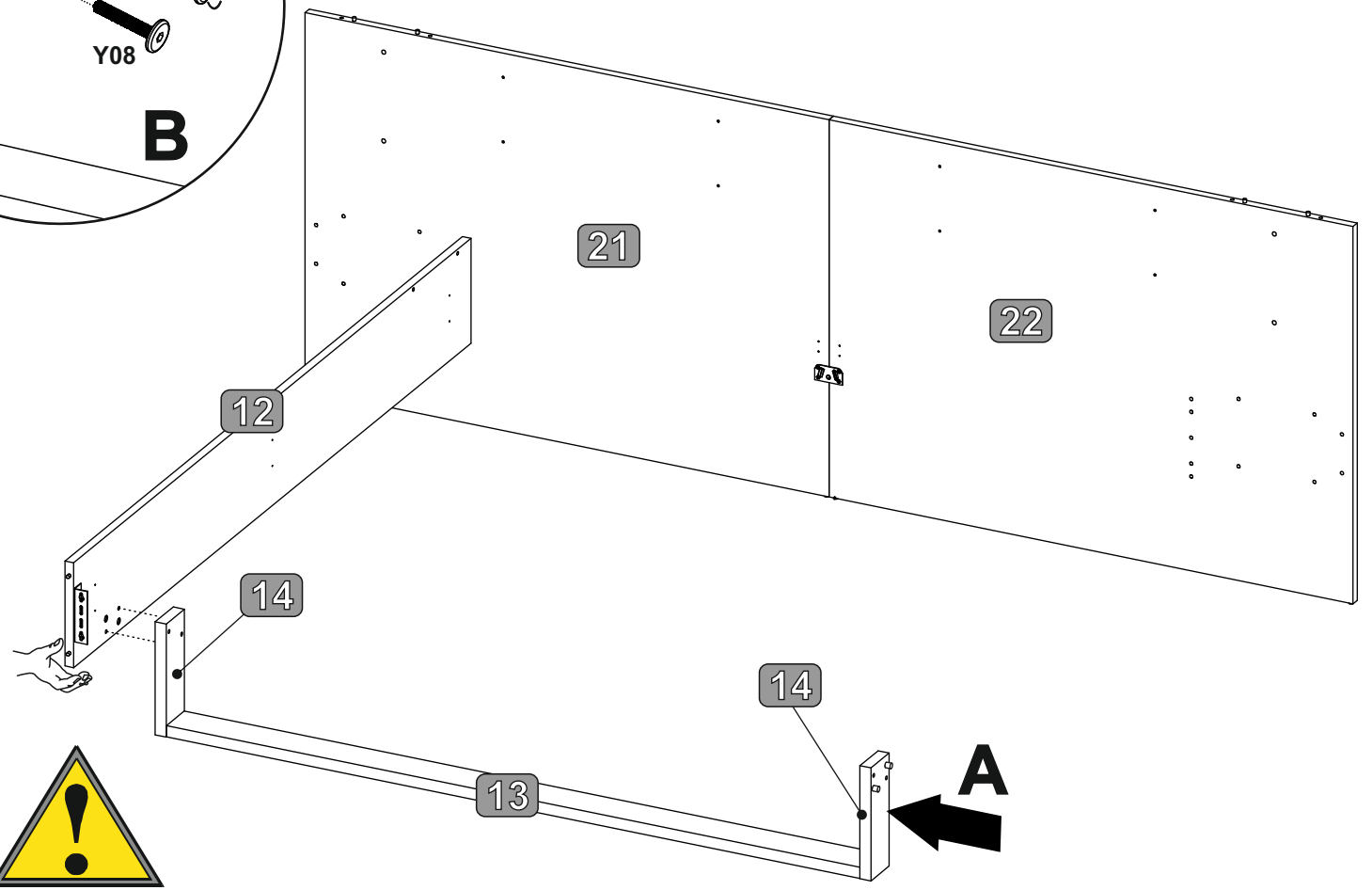
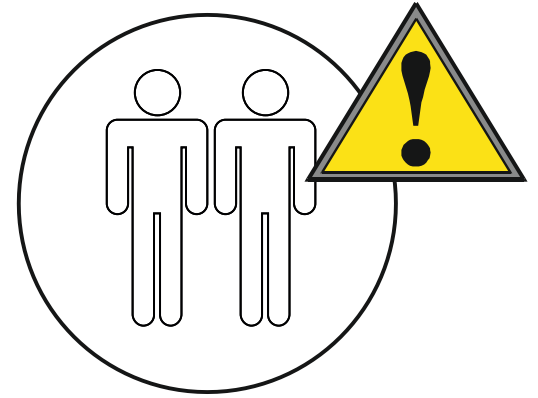
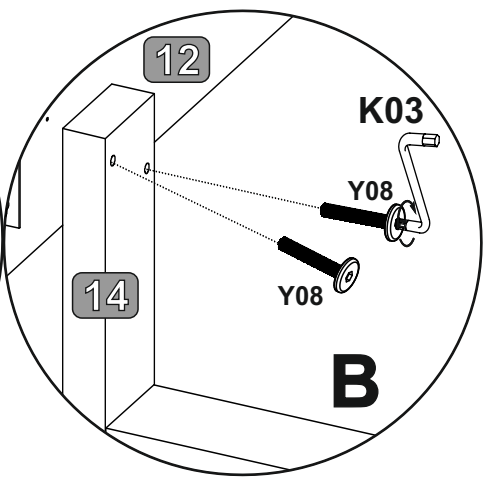
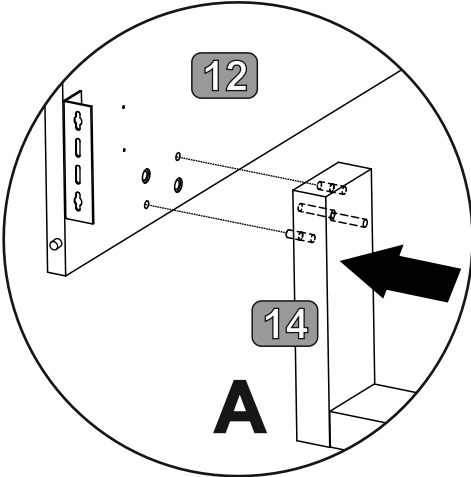
		
 W02 3,5x13	 W30 3,5x16	 W23 4x30


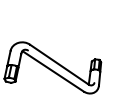
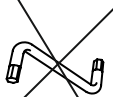
19



20


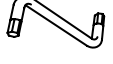
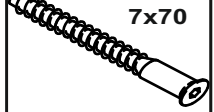
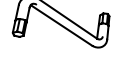
M8x45	Z5
	
2x	1x
Y08	K03







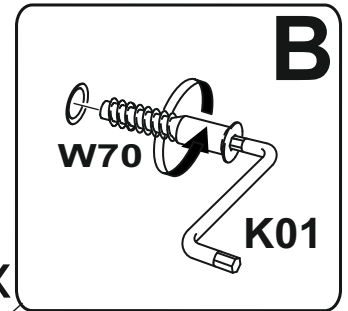
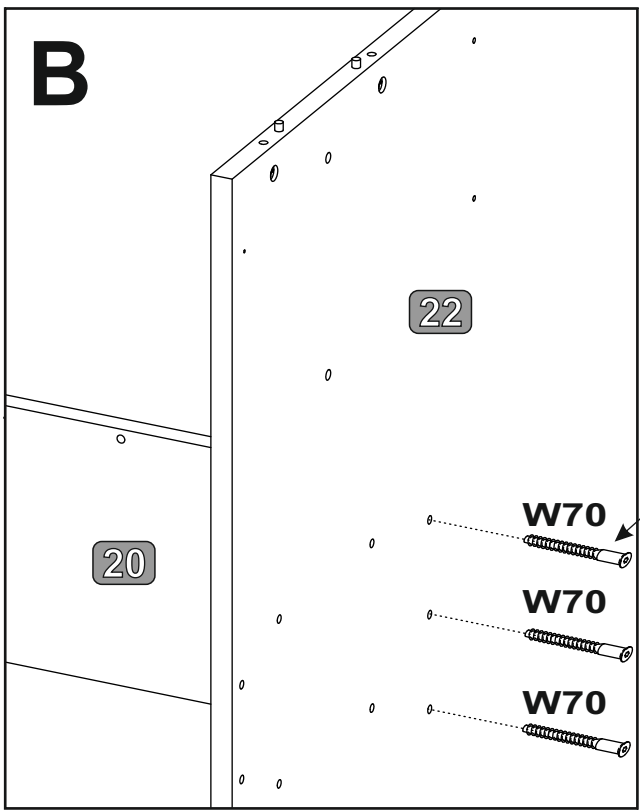
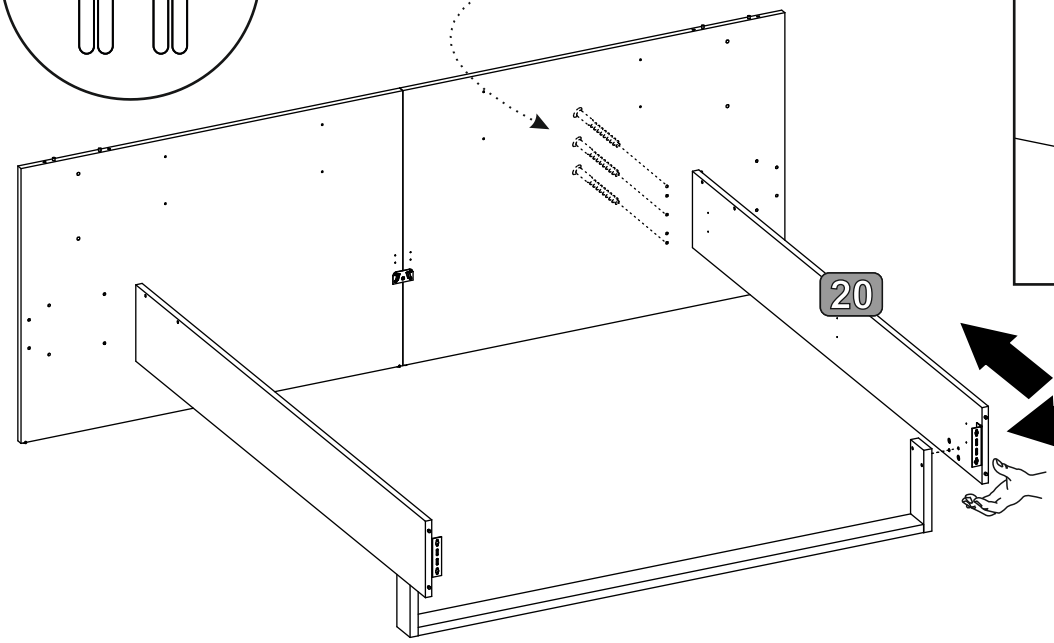
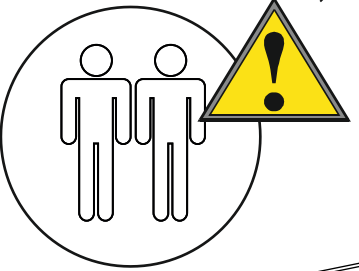
<del>Z6</del>	<del>Z5</del>	<del>Z4</del>
<del></del>	<del></del>	<del></del>
<del>1x</del>	<del>1x</del>	<del>1x</del>
<del>K04</del>	<del>K03</del>	<del>K01</del>



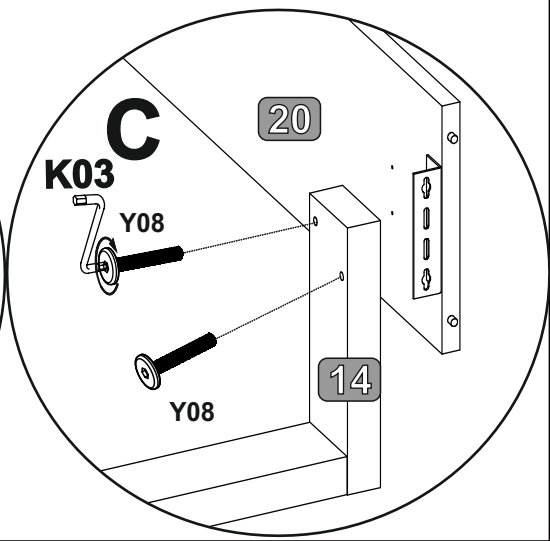
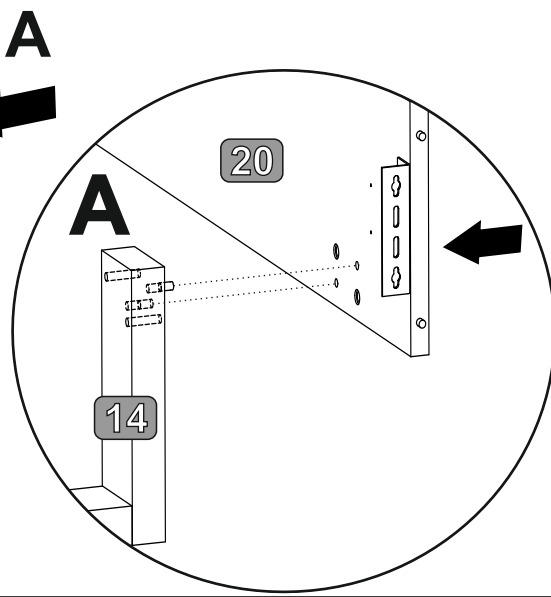
21


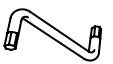


M8x45 	Z5 	7x70 	Z4 
2x Y08	1x K03	3x W70	1x K01

<del>Z6 </del>	<del>Z5 </del>	<del>Z4 </del>	
<del>1x K04</del>	<del>1x K03</del>	<del>1x K01</del>	



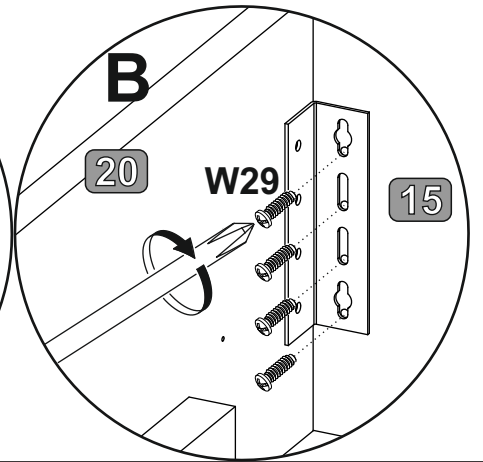
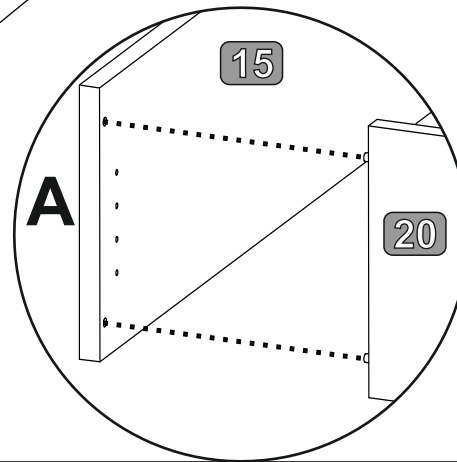
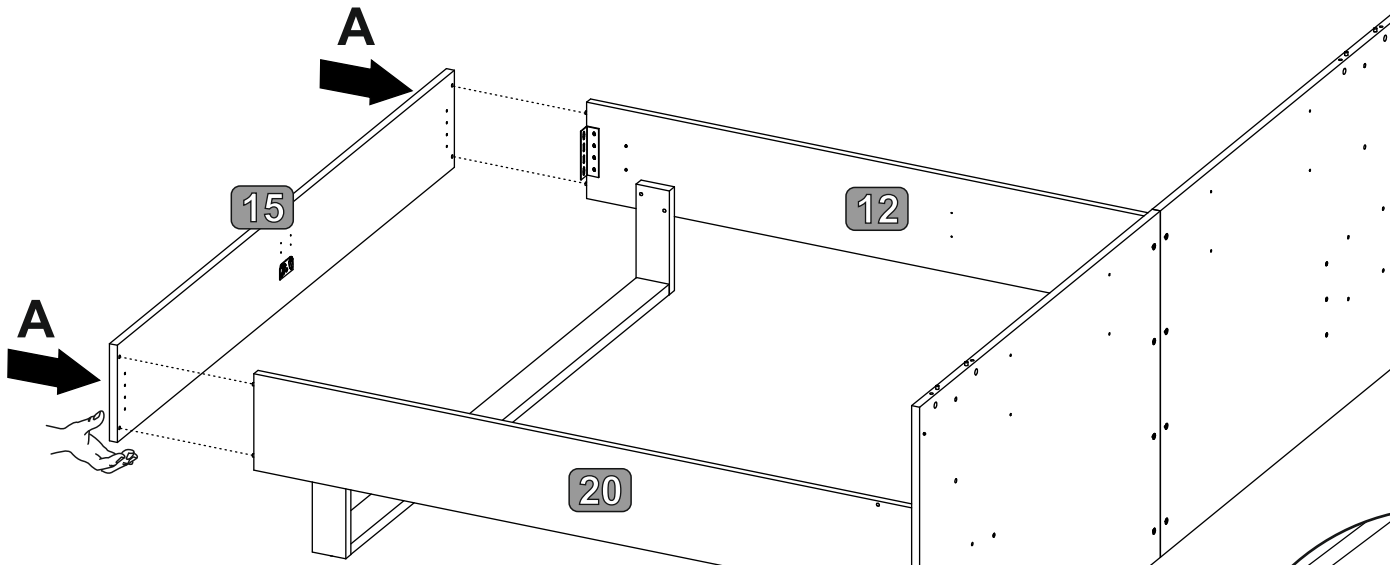
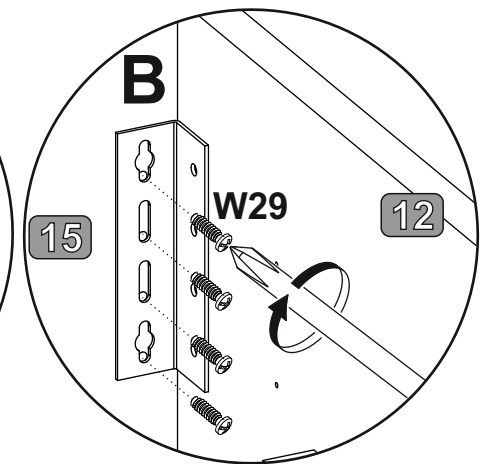
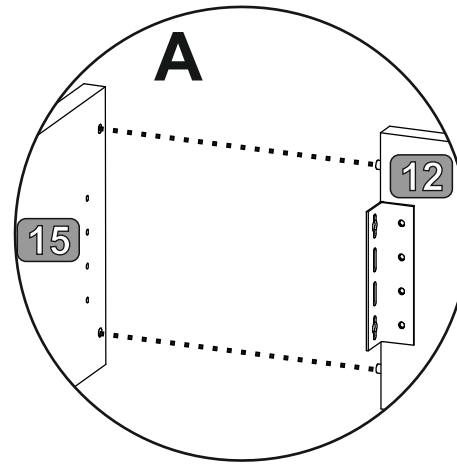
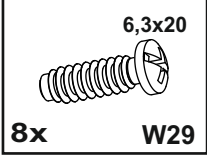
3x



<del>Z6 </del>	<del>Z5 </del>	<del>Z4 </del>	
<del>1x K04</del>	<del>1x K03</del>	<del>1x K01</del>	

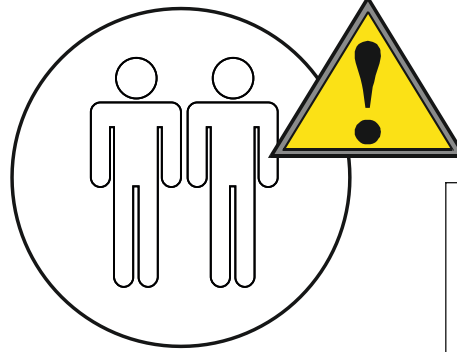


22


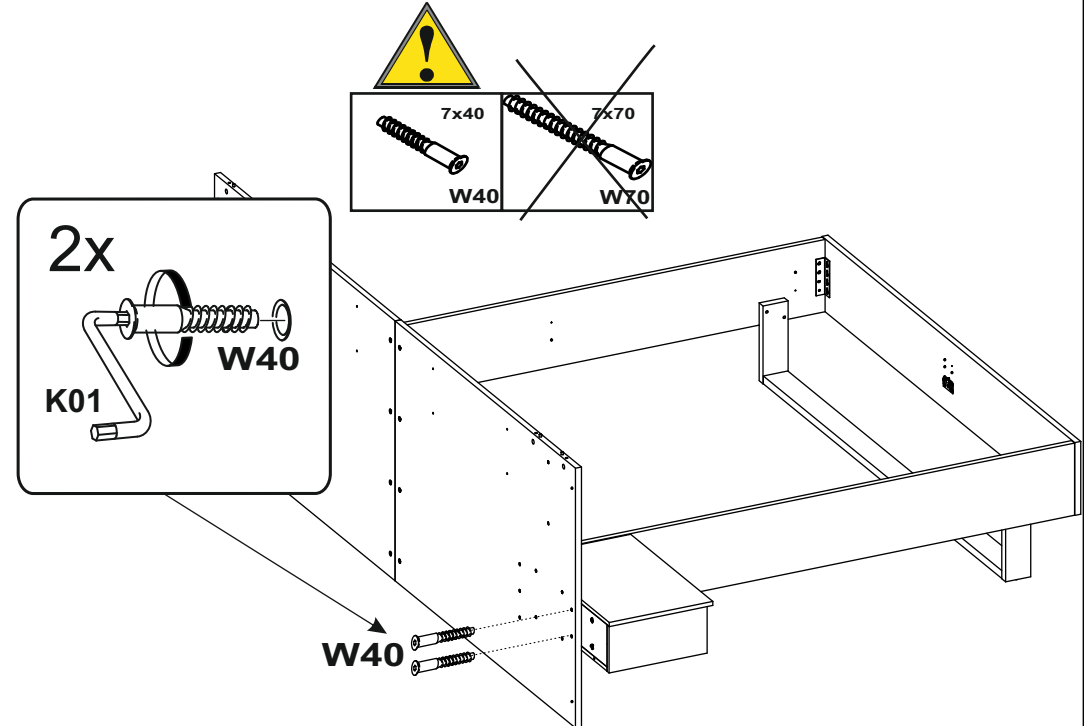
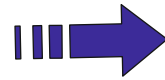
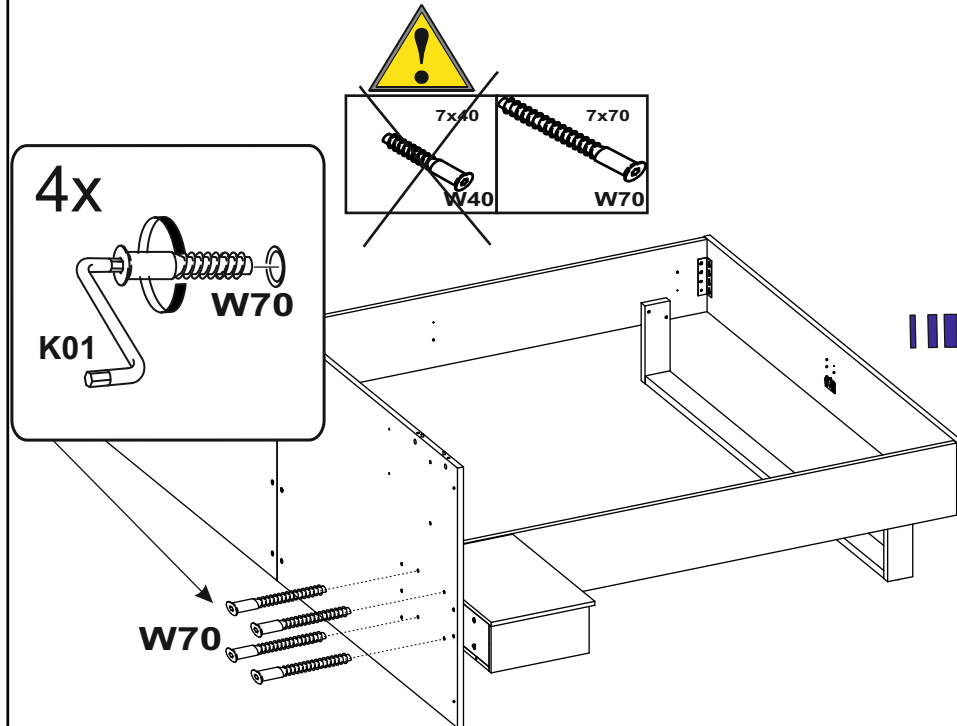
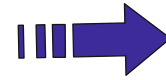
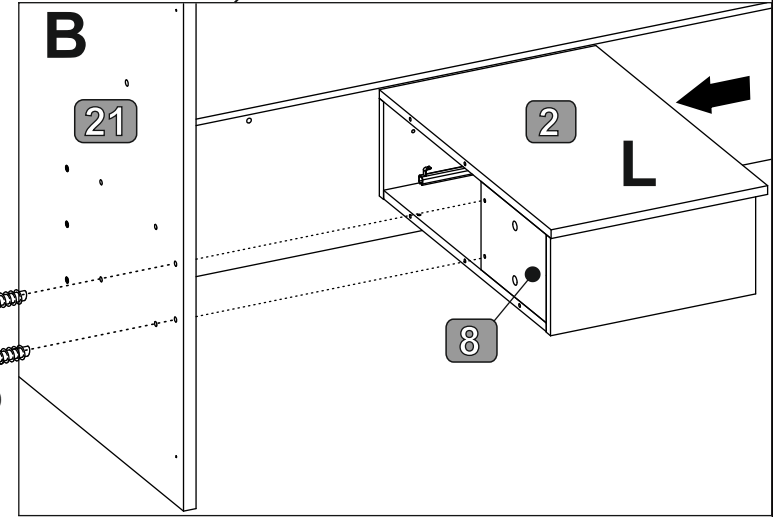
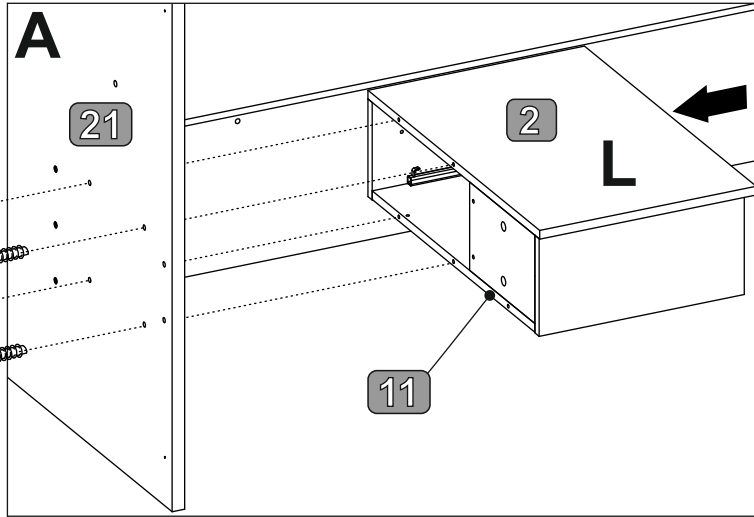


23

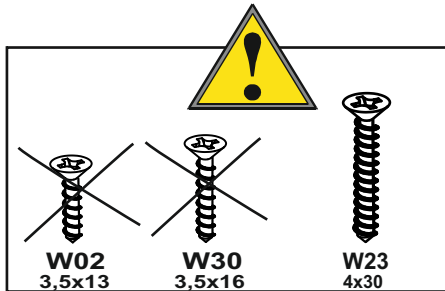
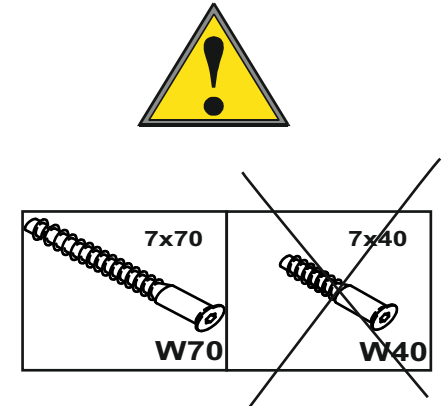
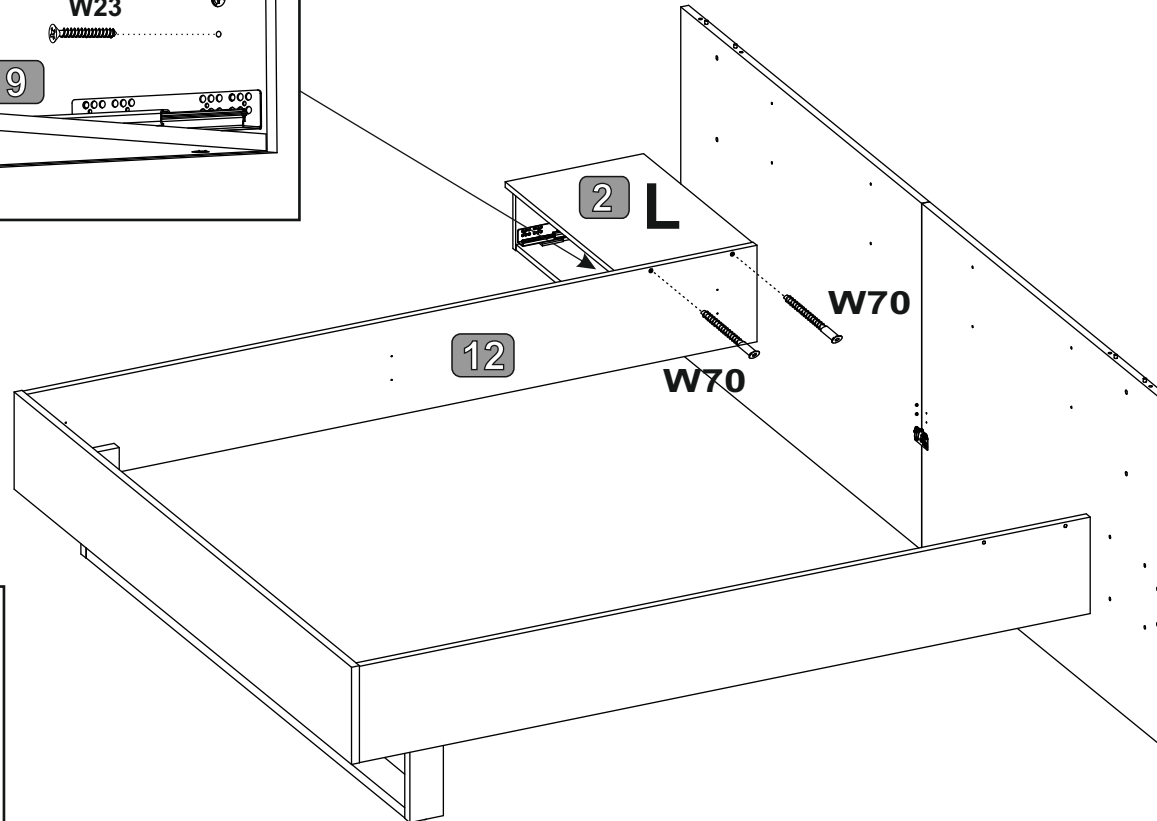
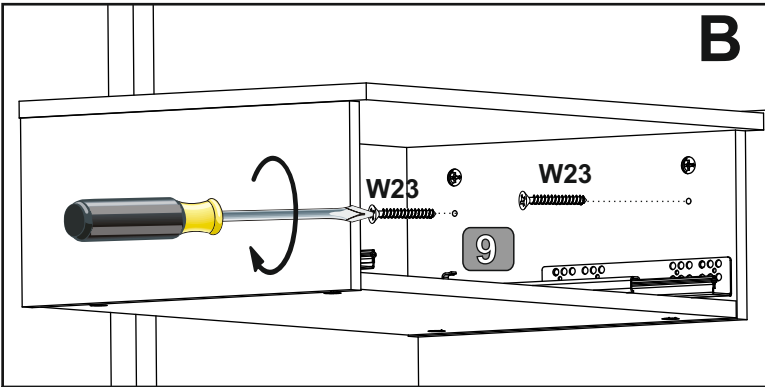
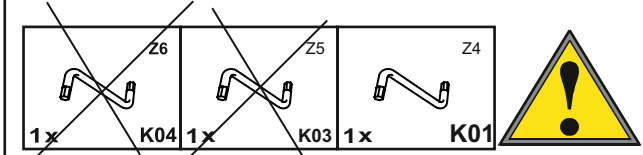
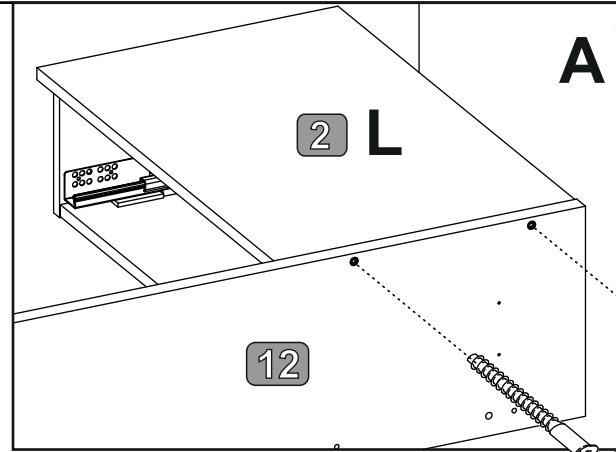
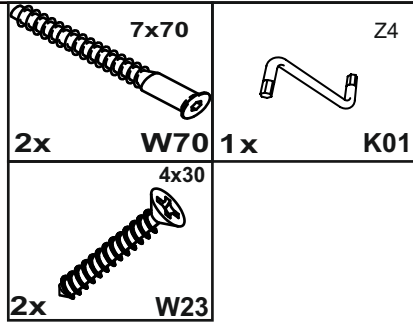
7x40	7x70	Z4
2x	4x	1x
W40	W70	K01




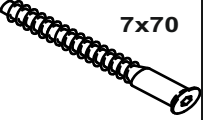

<del>Z6</del>	<del>Z5</del>	Z4
<del></del>	<del></del>	
<del>1x</del>	<del>1x</del>	1x
<del>K04</del>	<del>K03</del>	K01

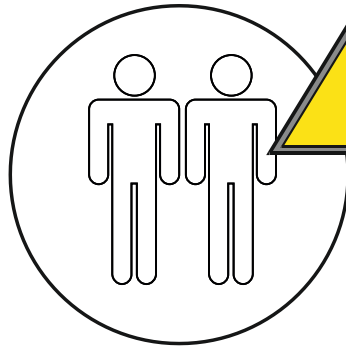







24

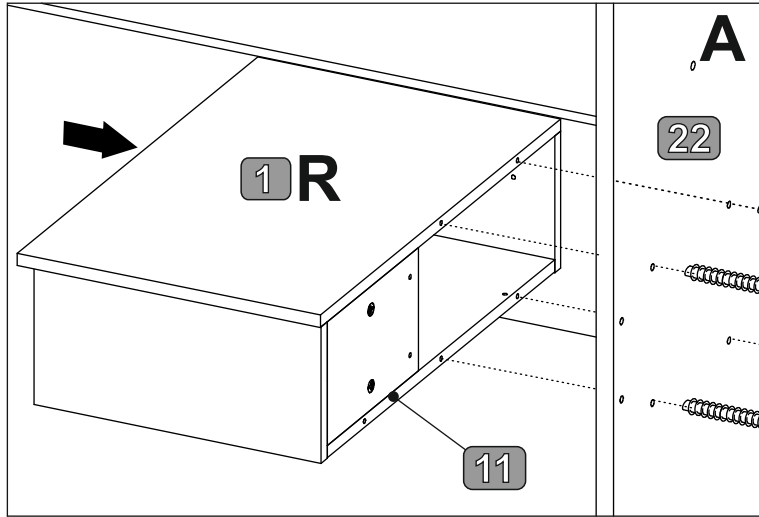


25

 7x40 2x W40	 7x70 4x W70	 Z4 1x K01
--	---	--




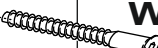
<del> Z6 1x K04</del>	<del> Z5 1x K03</del>	<del> Z4 1x K01</del>	
--	--	--	---




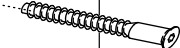
**A**

22

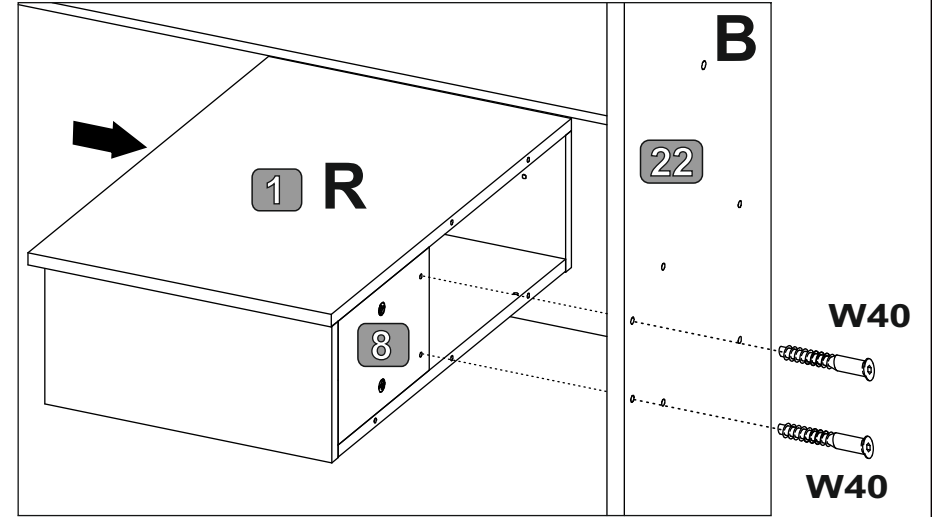
 W70

 W70

 W70


 W70


W70




**B**


22

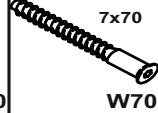
 W40

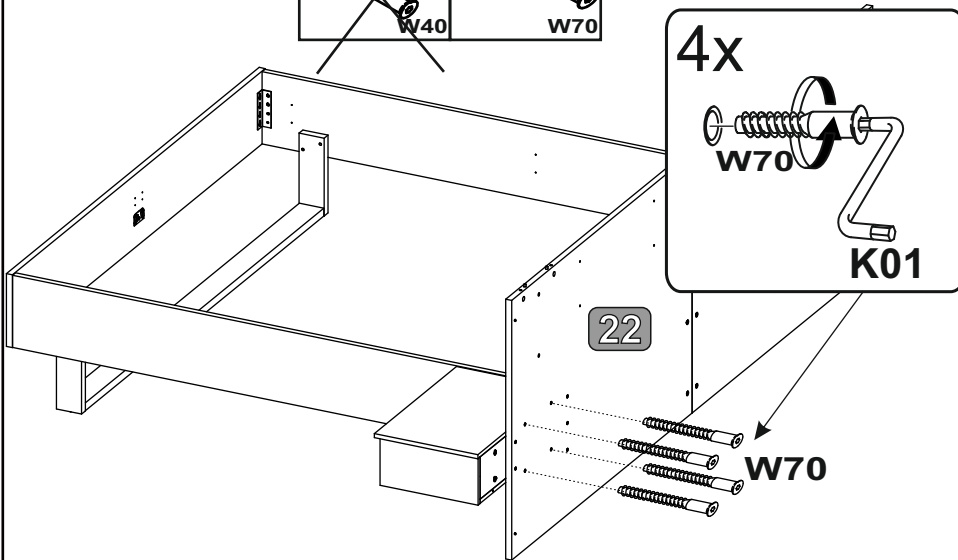
 W40

W40





~~ 7x40  
W40~~


~~ 7x70  
W70~~




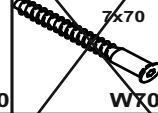
4x

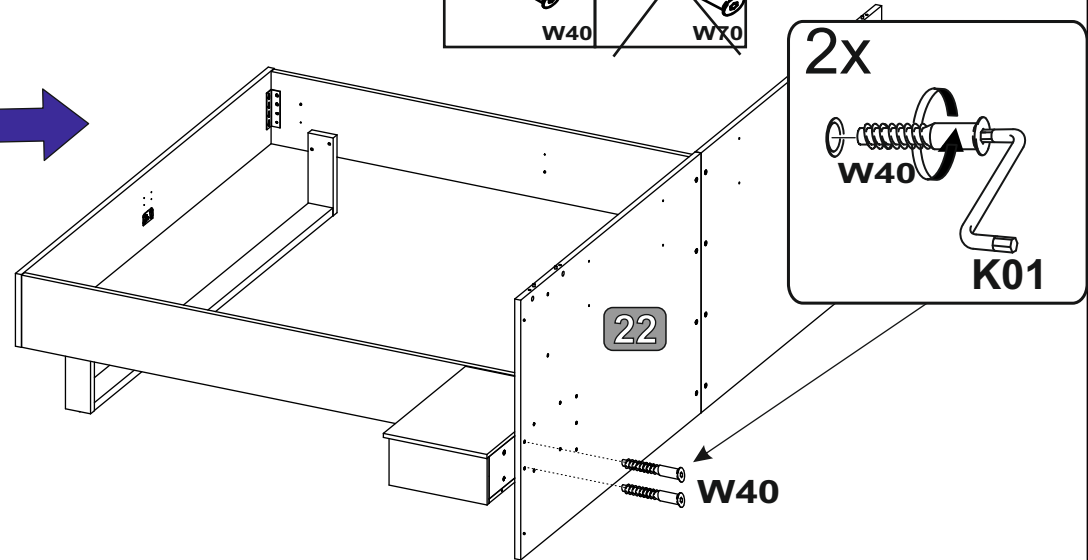
 W70

 K01




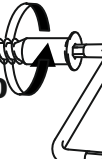
~~ 7x40  
W40~~

~~ 7x70  
W70~~

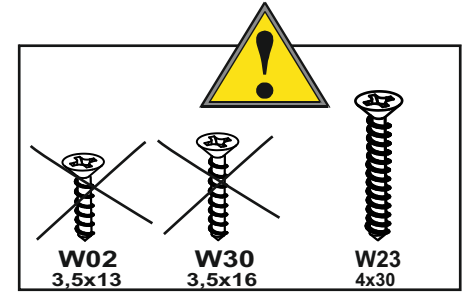
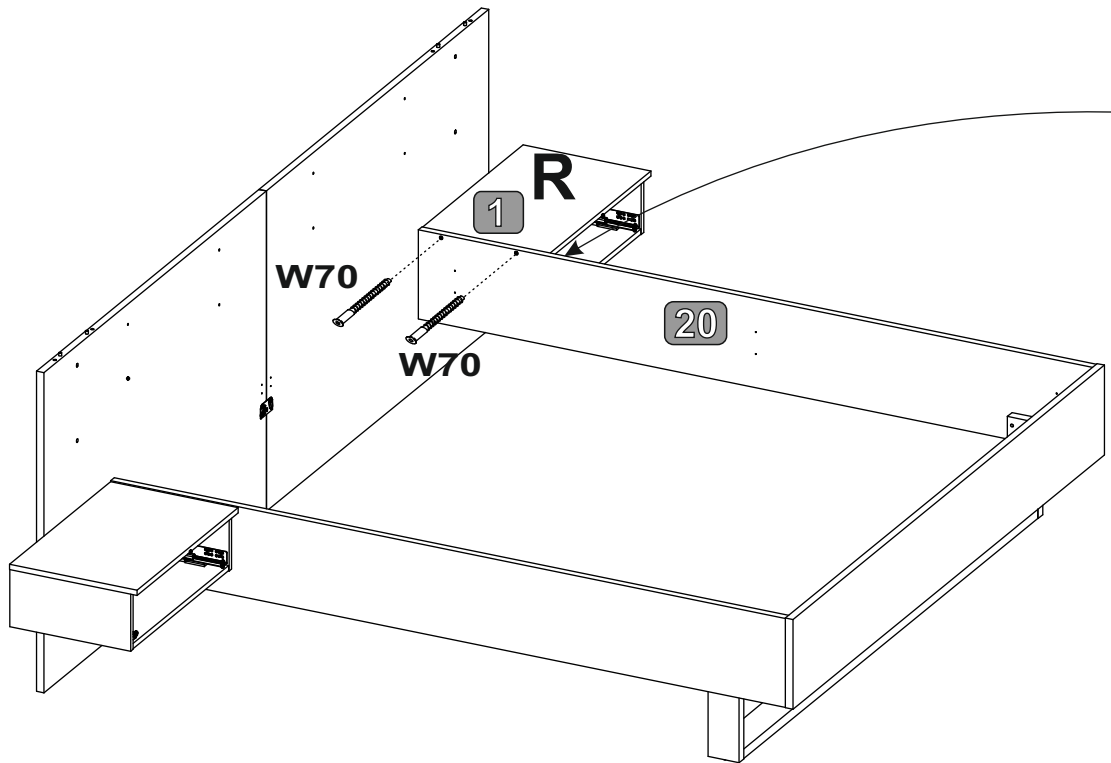
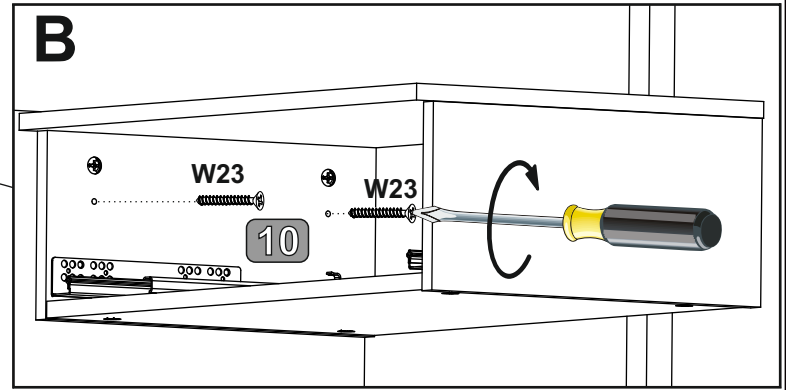
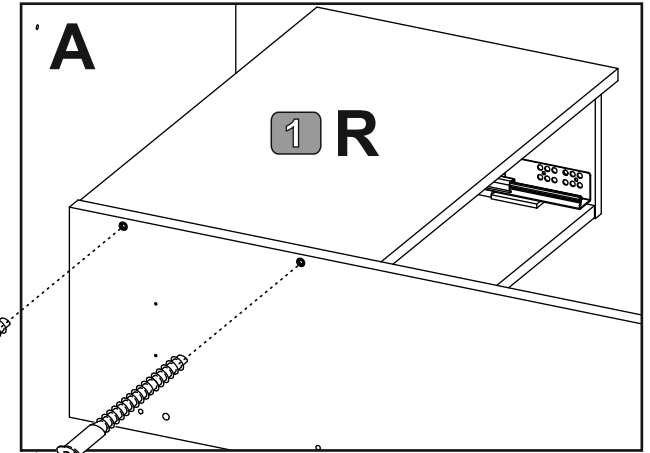
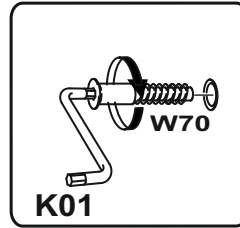
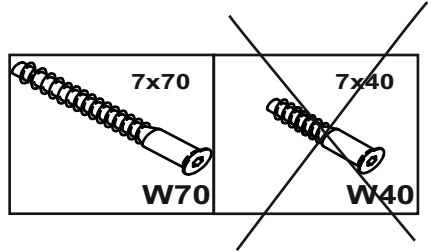
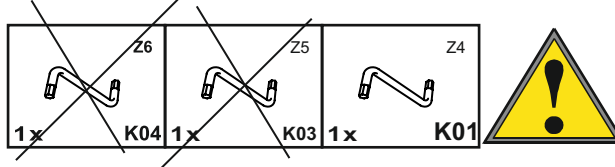
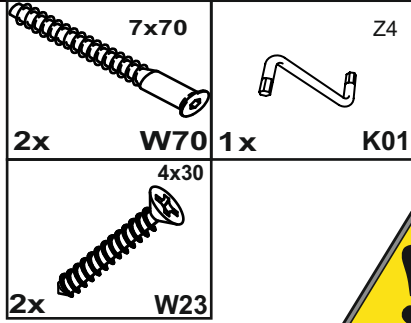


2x

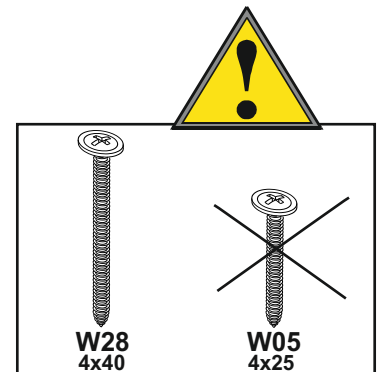
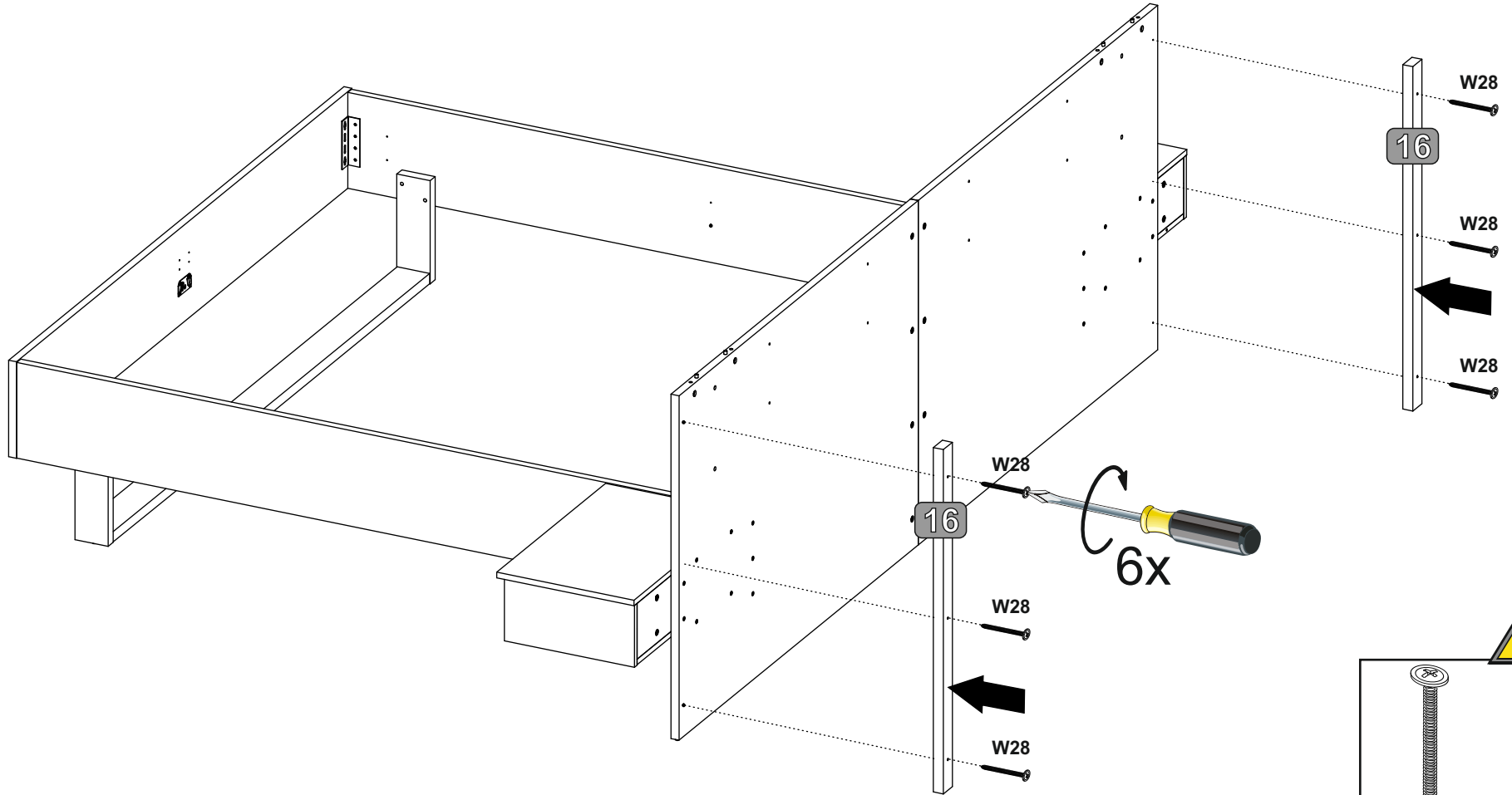
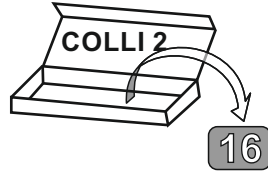
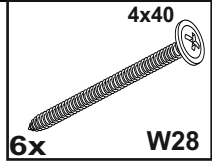
 W40

 K01

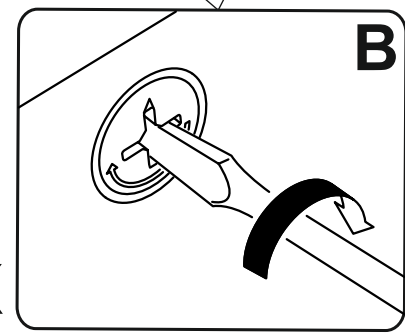
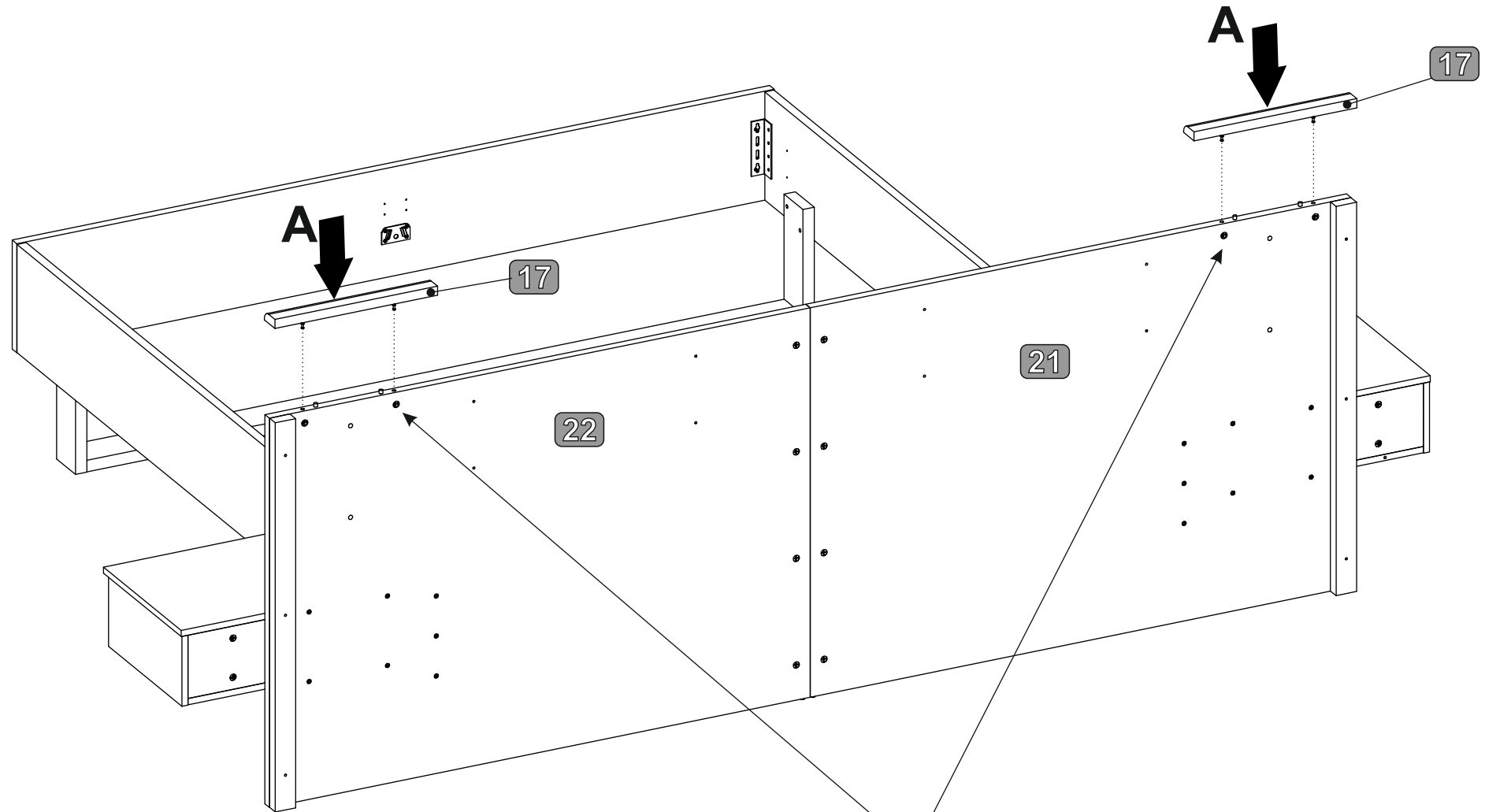
26



27

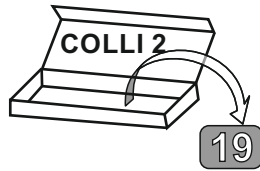
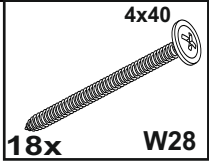


28

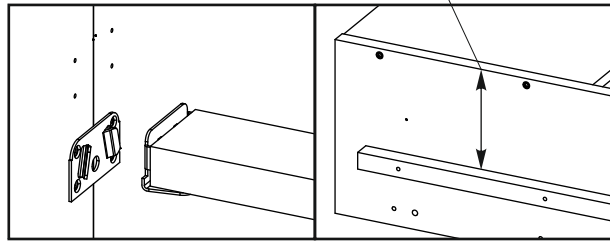


4x

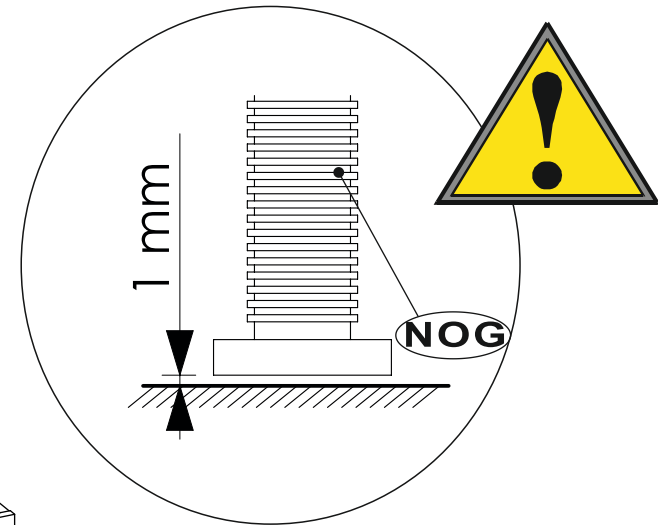
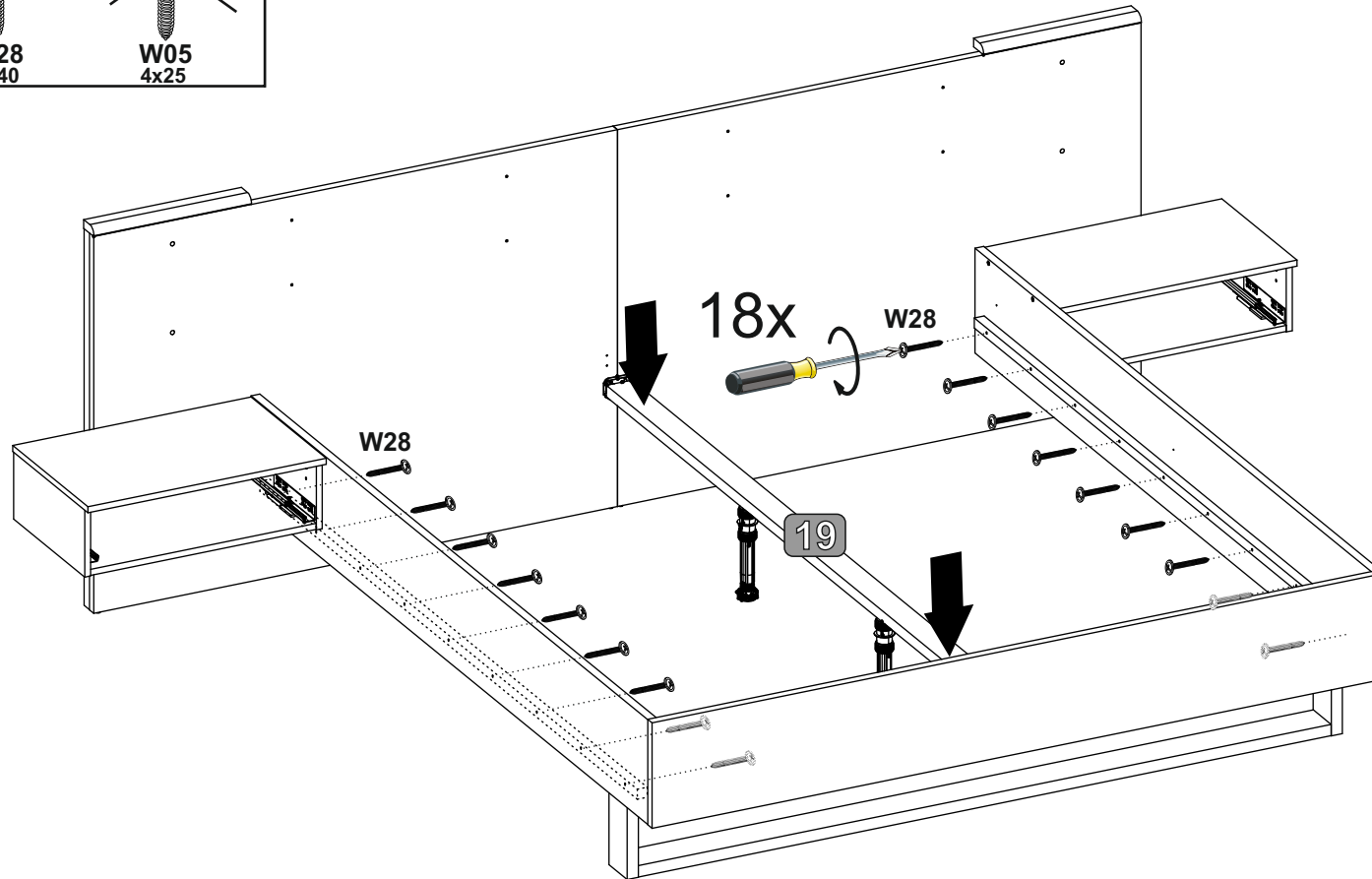
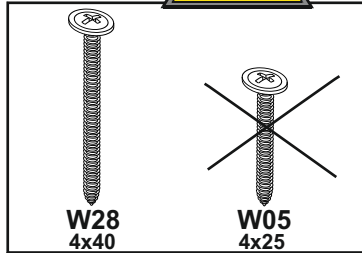
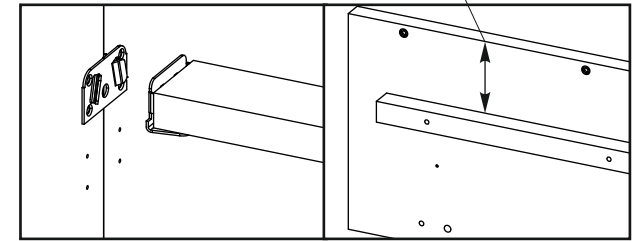
29



V.A 149mm

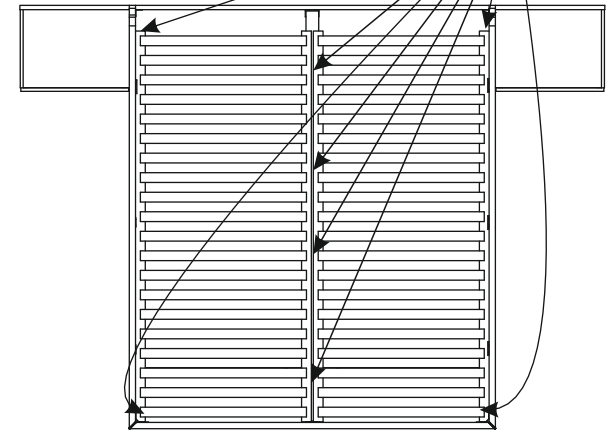
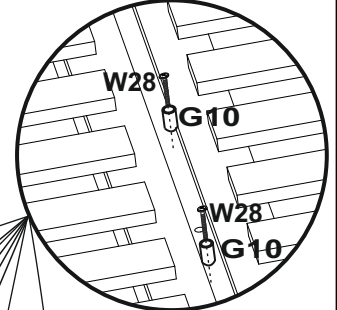
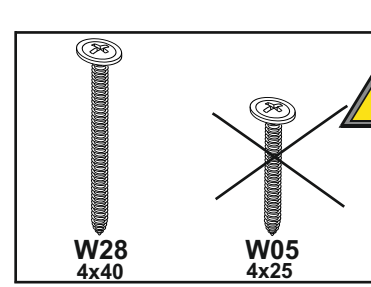
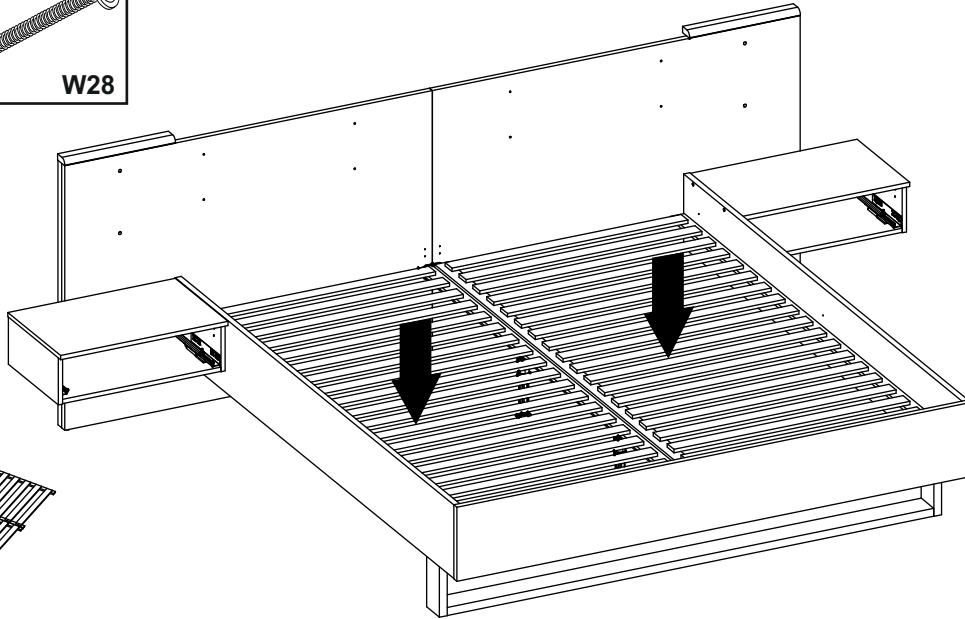
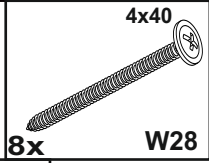


V.B 85mm

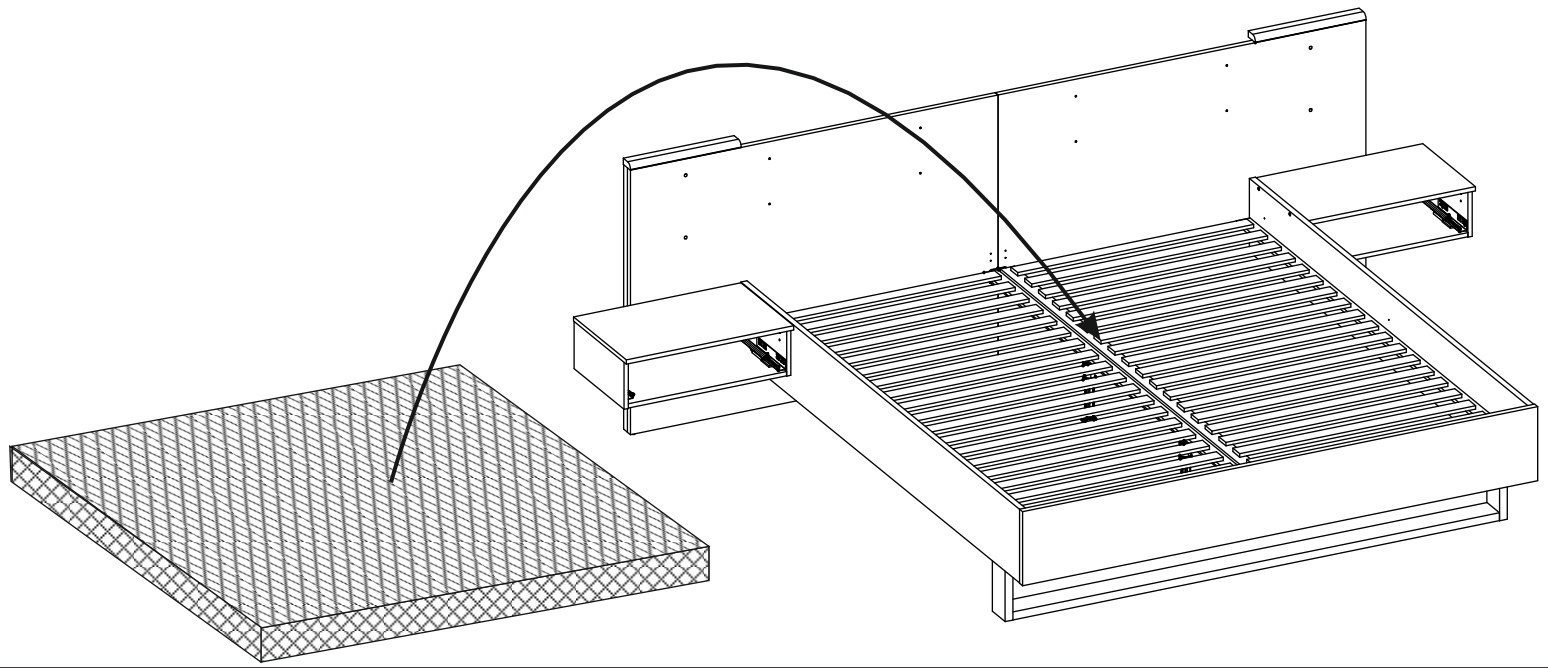
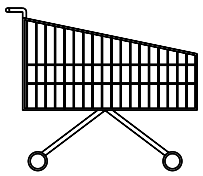
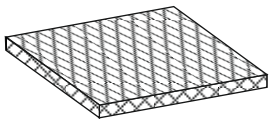




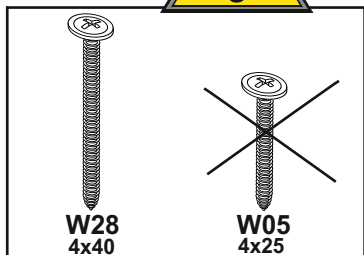
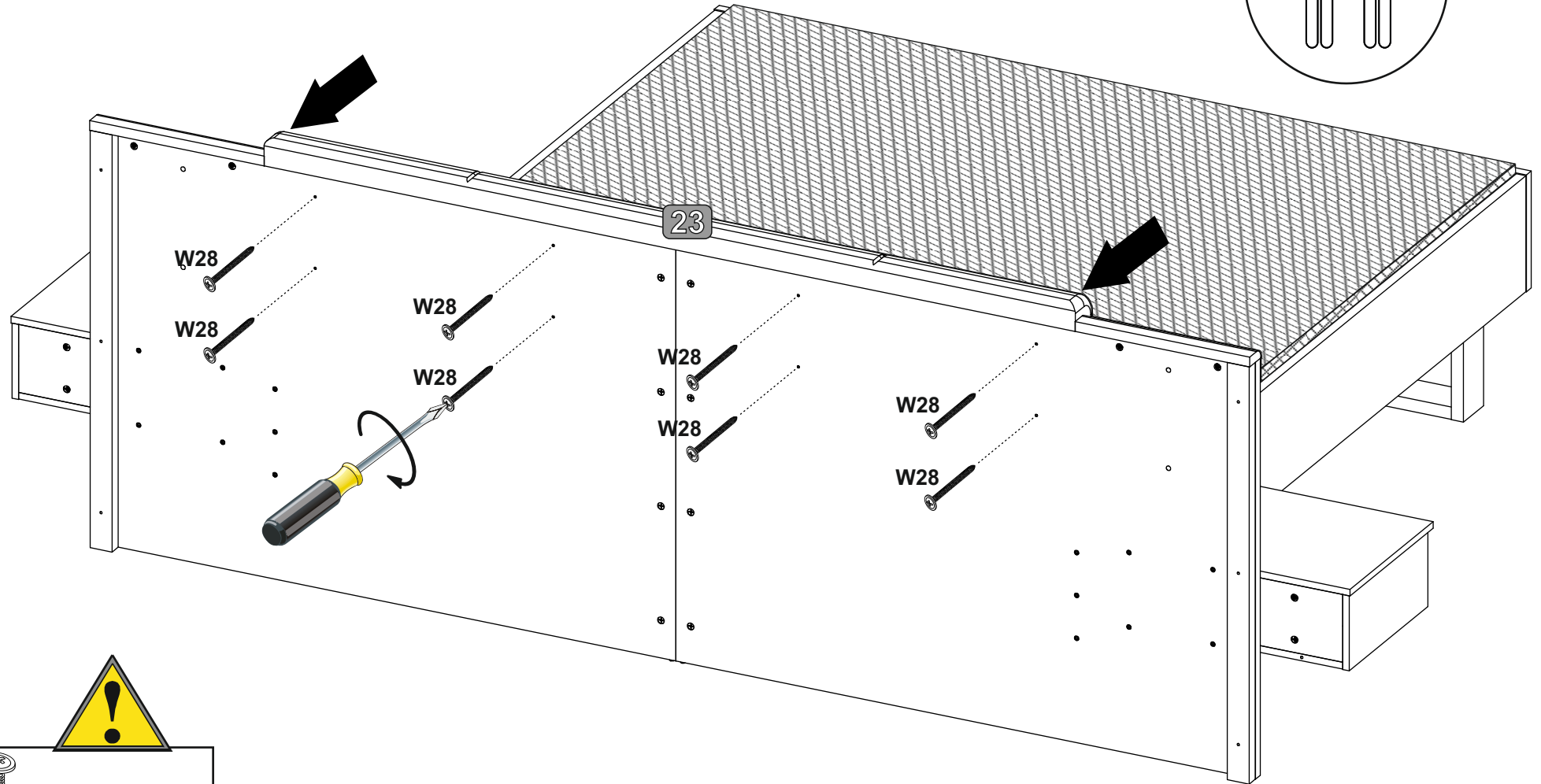
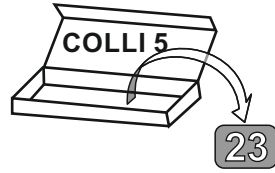
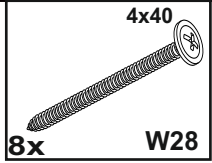
30





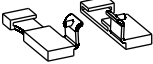
31

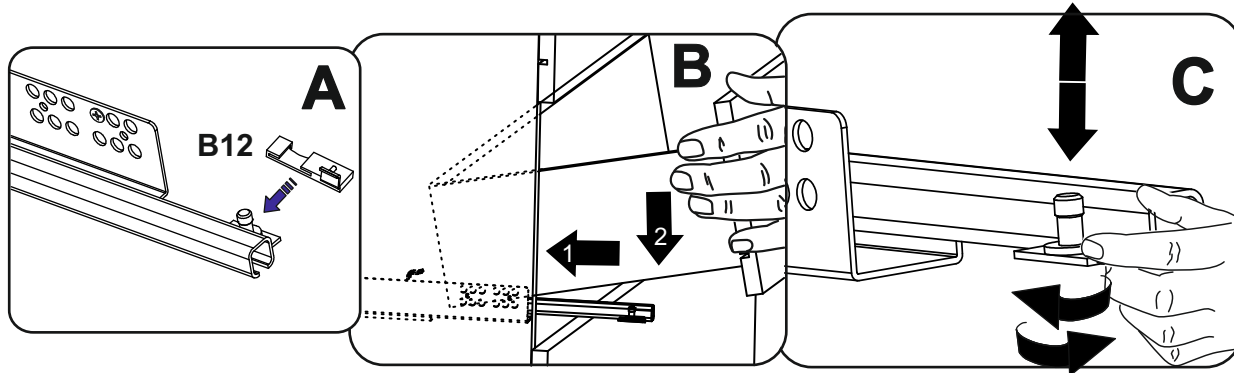
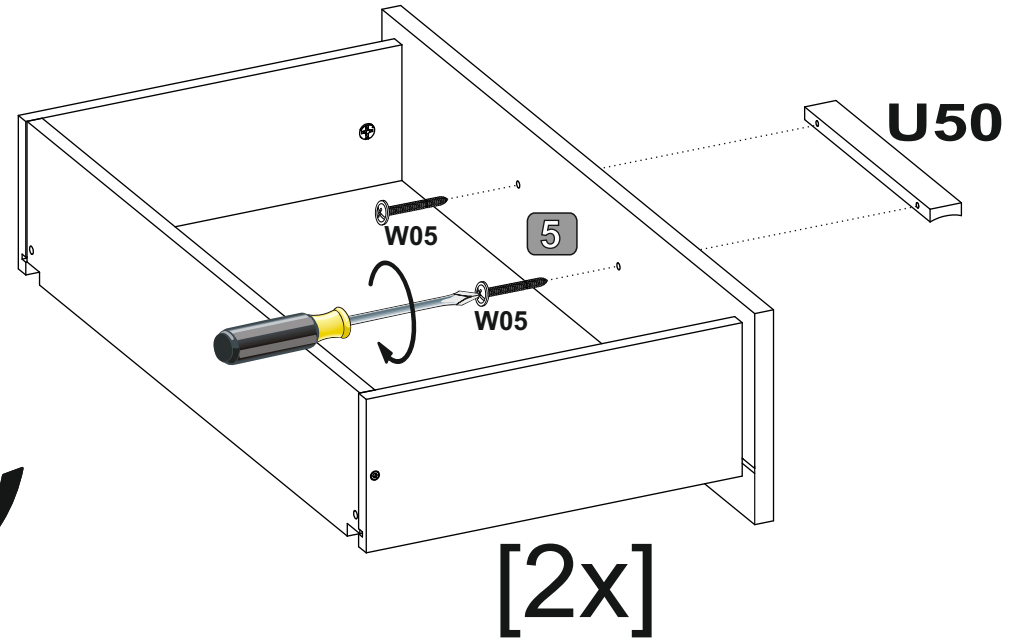
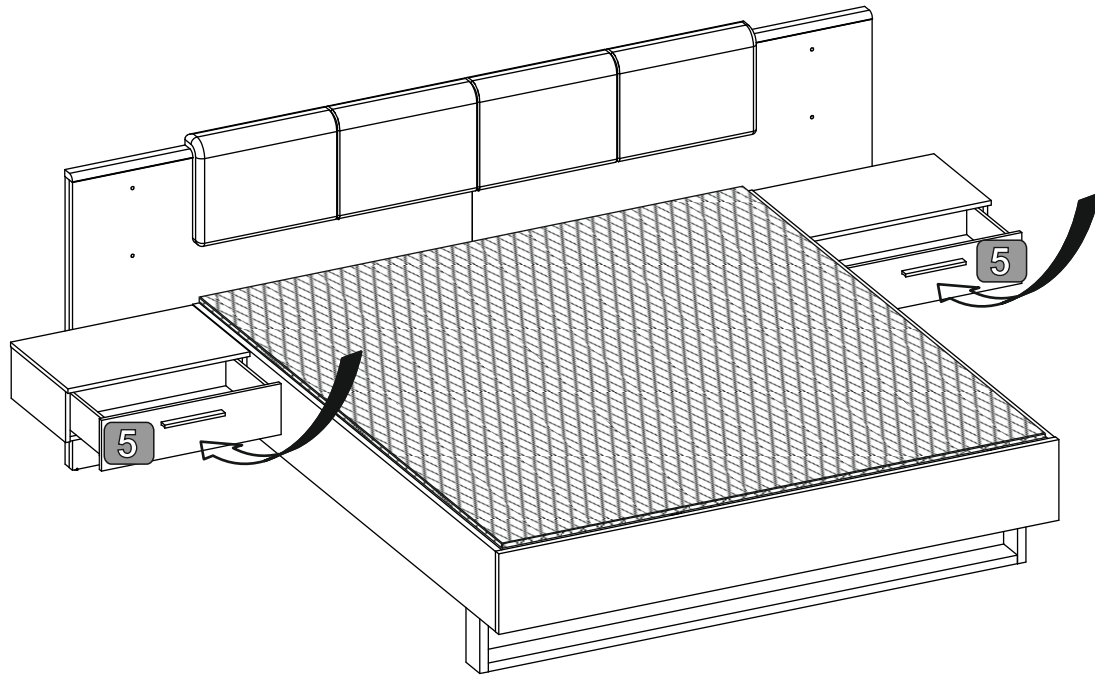


32

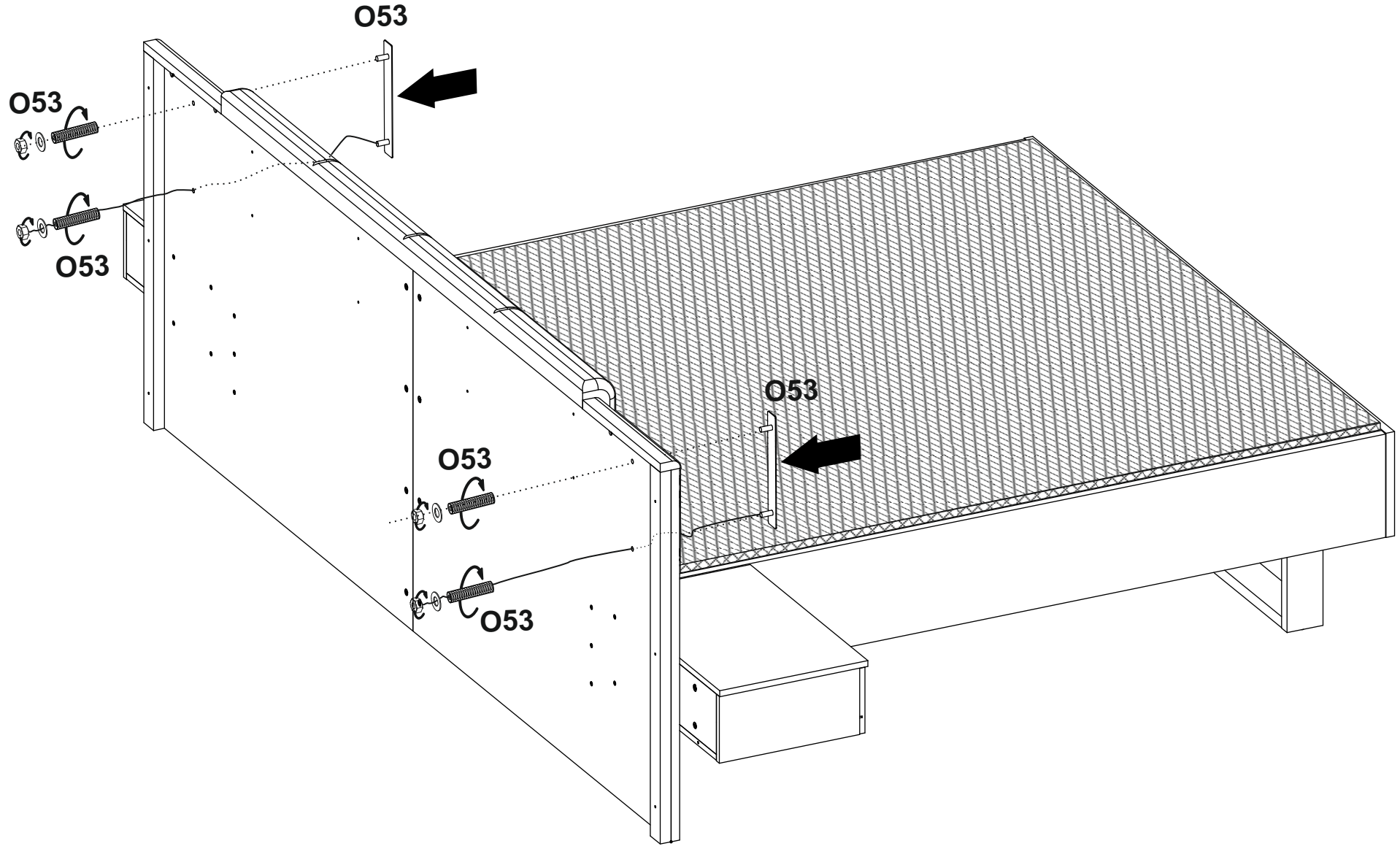
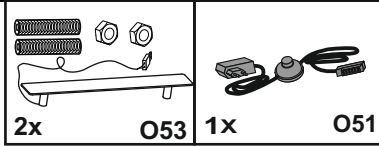


33

 2x U50	 4x25 4x W05	 2x L+R 2x B12
---	--	---



34



35

