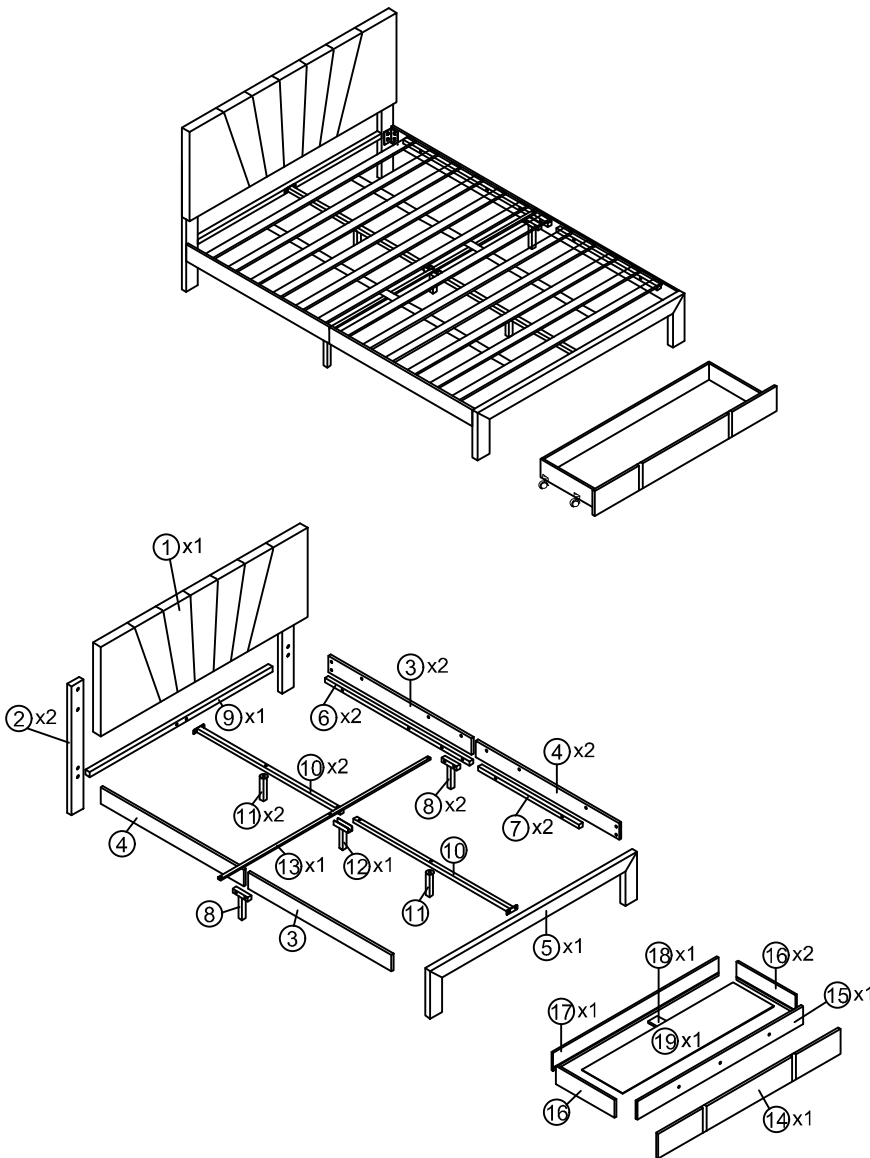


ASSEMBLY INSTRUCTION

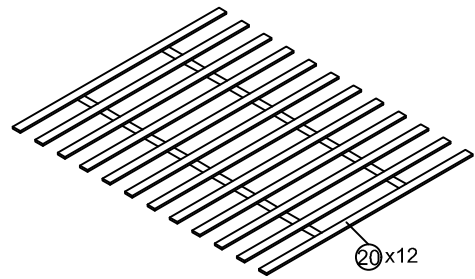


TIPS

1. Please read the instructions fully before assembly. These instructions include important information which could ensure correct assembly. We have been working on providing high quality products for you. However, in the rare instance that your product is defective, missing parts or there are some issues, please don't hesitate to contact our customer service to submit parts requirements, assembly suggestion, or warranty claims, and we will give the best solution as soon as possible. If necessary, we need you to provide some more clear pictures of the issue.

2. Insert the screws in holes and tighten the screws, but not too tight, 70%~80% is ok, finally tighten all the screws. If some issues happened that some screws can not target to the hole or some parts are difficult to install, please adjust the tightness of the screws.

3. 2 people are recommended to finish

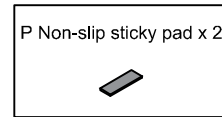
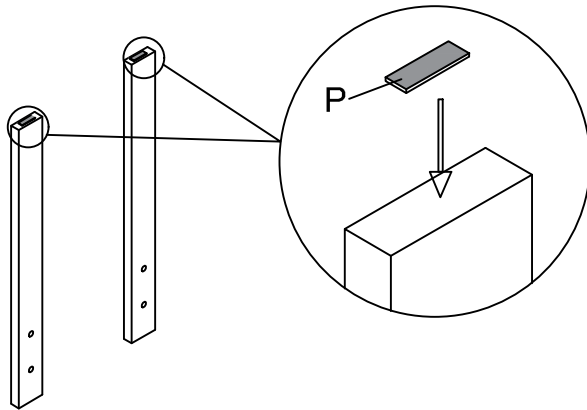


Parts List			Hardware List		
NO	ITEM	QTY	NO	ITEM	QTY
1	Head board	1	A	Allen Key	2
2	Head board legs	2	B	Bolts (M8x50mm)	4
3	Siderails	2	C	Bolts (M8x16mm)	24
4	Siderails	2	D	Bolts (M8x40mm)	23
5	Foot board	1	E	Washer	4
6	Side rails support bar	2	F	Two hole iron	2
7	Side rails support bar	2	G	"7" Connector	4
8	Side rails support legs	2	H	Nuts	4
9	Head board cross bar	1	I	Nails (M4x30mm)	4
10	Center support bar	2	J	Bolts (M8x30mm)	3
11	Middle support leg	2	K	Spanner	1
12	Connected support leg	1	L	Drawer fittings	12
13	Cross bar	1	M	Drawer fittings	12
14	Drawer outer board	1	N	Nails (M3x16mm)	12
15	Drawer board	1	O	Drawer wheel	4
16	Drawer board	2	P	Non-slip sticky pad	2
17	Drawer board	1			
18	Drawer support bar	1			
19	Drawer bottom board	1			
20	Slats	12			

Attention: Do not tighten the screws before completing the entire installation. If you have any difficulty with the installation process, please feel free to contact us.

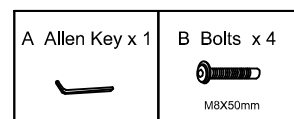
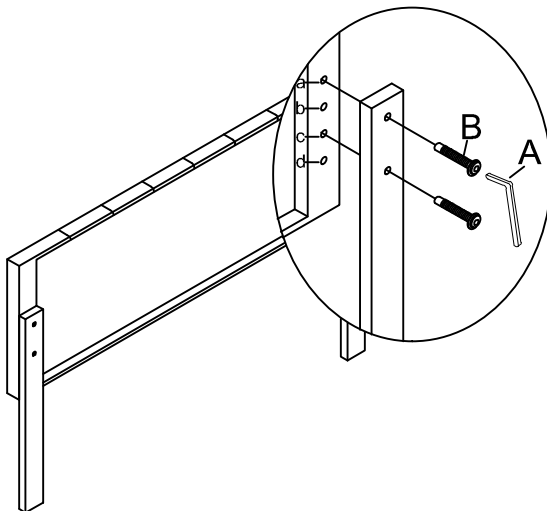
Step 1 x2

Stick the Non-slip sticky pad P to the Headboard legs ②.



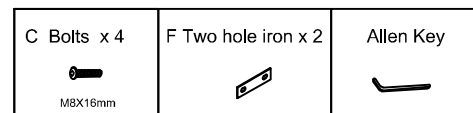
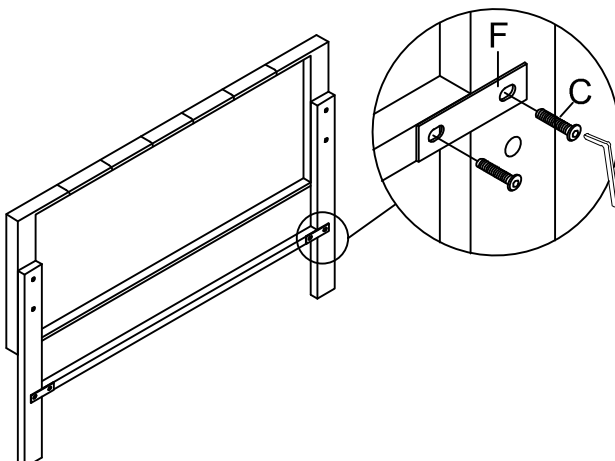
Step 2 x2

Fix the Headboard legs ② to the Headboard ① with Bolt B by using Allen key A. You can chose the hole a and c ,or b and d.



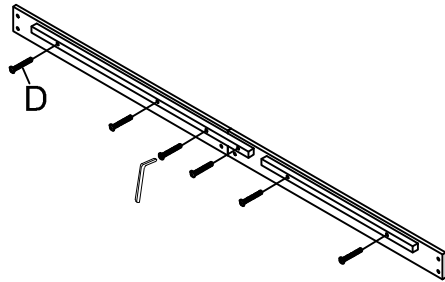
Step 3 x2



Fix the Headboard cross bar ⑨ to the Headboard legs ② with Bolt C and Two hole iron F by using Allen key A.



Step 4 x2

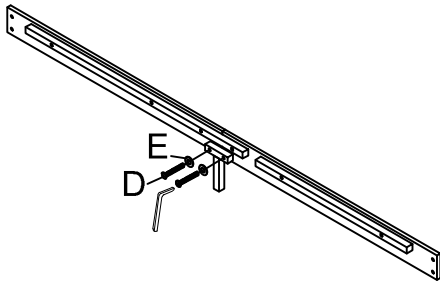
Connect Siderails ③ and ④ to Siderail support bar ⑥ and ⑦ with Bolts D by using Allen key A.






D Bolts x 12  M8X40mm	Allen Key 
--	--

Step 5 x2

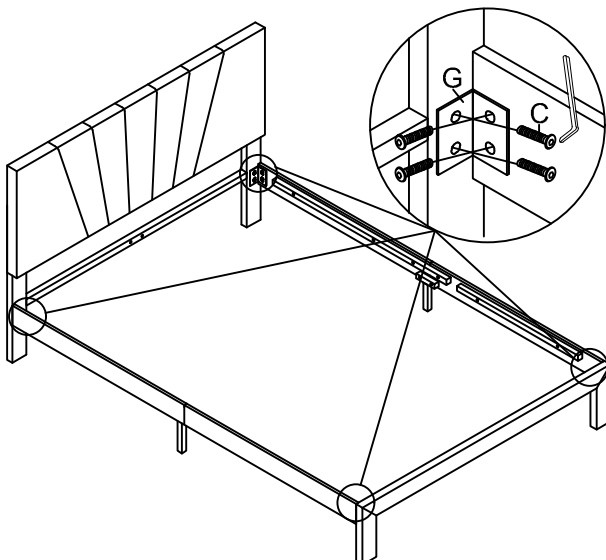
Fix the Siderail support leg ⑧ to the assembled siderail with Bolt D and Washer E by using Allen key A.



D Bolts x 4  M8X40mm	E Washer x 4 	Allen Key 
---	---	--

Step 6

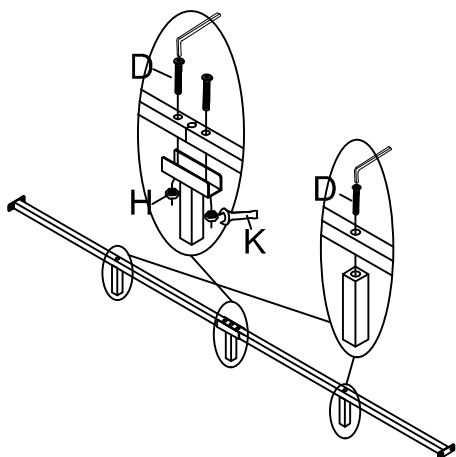
Fix the assembled siderail to the Headboard legs ② and footboard ⑤ with Bolt C and "7" Connector by using Allen key A.



C Bolts x 16  M8X16mm	G "7" Connector x 4 	Allen Key 
--	--	--

Step 7

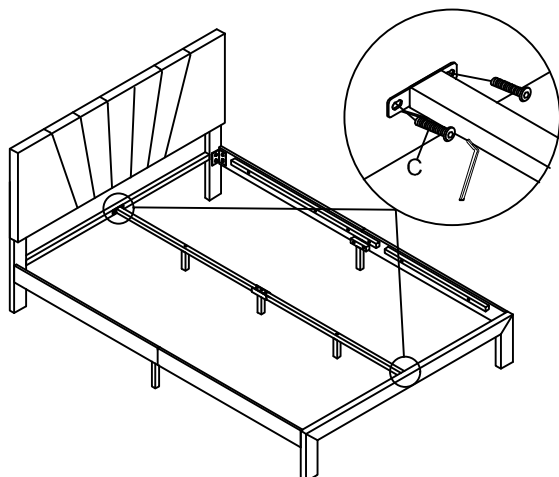
Fix the Middle support leg ⑪ to the Center support bar ⑩ with Bolt D by using Allen key A. Fix connected support leg ⑫ to the Center support bar with Bolt D and Nuts H by using Spanner K.



D Bolts x 4 M8X40mm	H Nuts x 2	K Spanner x 1	Allen Key
------------------------	------------	---------------	-----------

Step 8

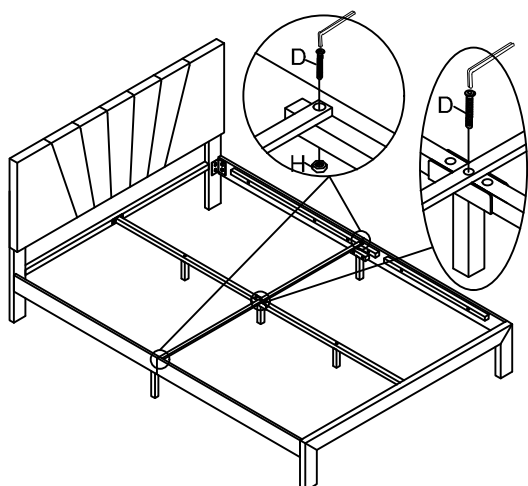
Fix the Center support bar to the Headboard cross bar ⑨ and Footboard ⑤ with Bolt C by using Allen key A.



C Bolts x 4 M8X16mm	Allen Key
------------------------	-----------

Step 9

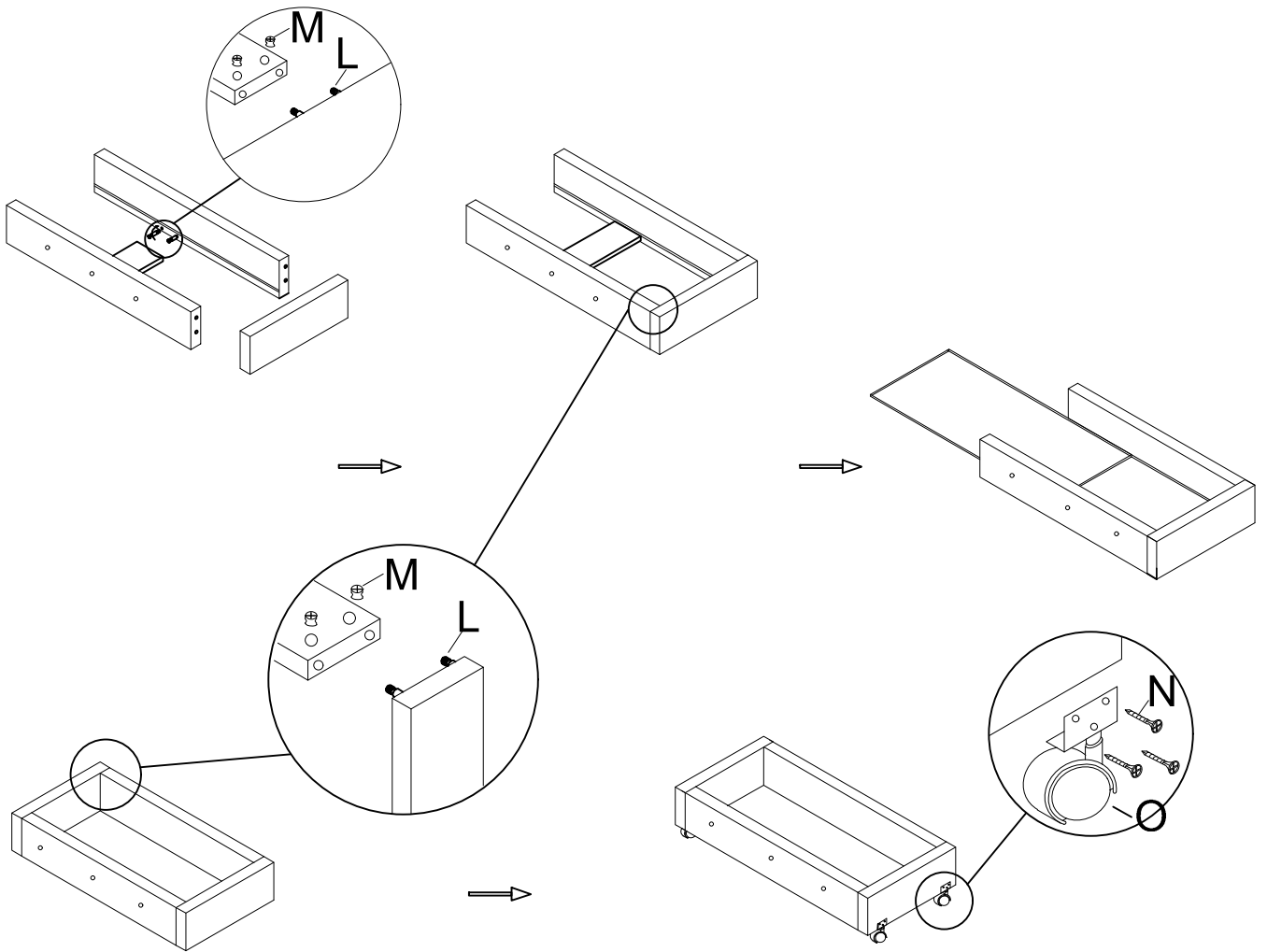
Fix the Cross bar ⑬ to the Siderails bar and Center support bar with Bolt D and Nuts H by using Allen key A.



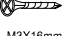




D Bolts x 3 M8X40mm	H Nuts x 2	Allen Key
------------------------	------------	-----------

Step 10

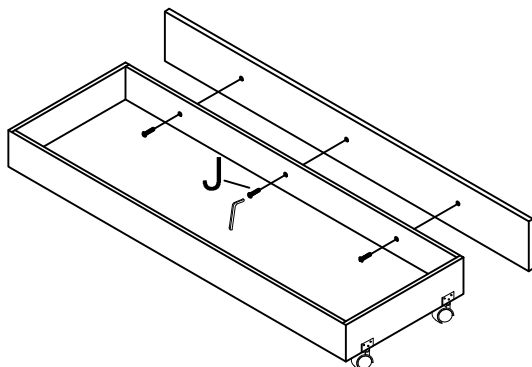
Assembled the Drawer with Drawer fittings L and M. Fix the Drawer wheel O with Nails N by using Electric drill or Screw driver.





L Drawer fittings x 12 	M Drawer fittings x 12 	N Nails x 12 M3X16mm 	O Drawer wheel x 4 	
---	---	---	---	---

Step 11

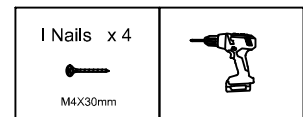
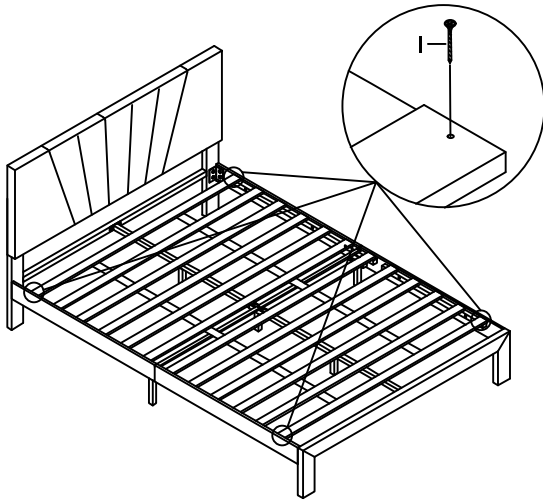
Fix Drawer outer board ⑭ to the drawer with Bolt J by using Allen key A.



J Bolts x 3 M8X30mm 	Allen Key 
---	--

Step 12

Fix the Slats to the Siderail support bar with Nail I by using Electric drill or Screw driver.



Step 13

Push the drawers into the bed, then assembly is finished.

