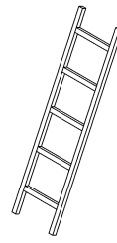
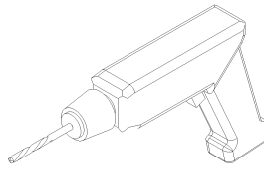
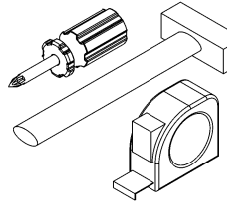
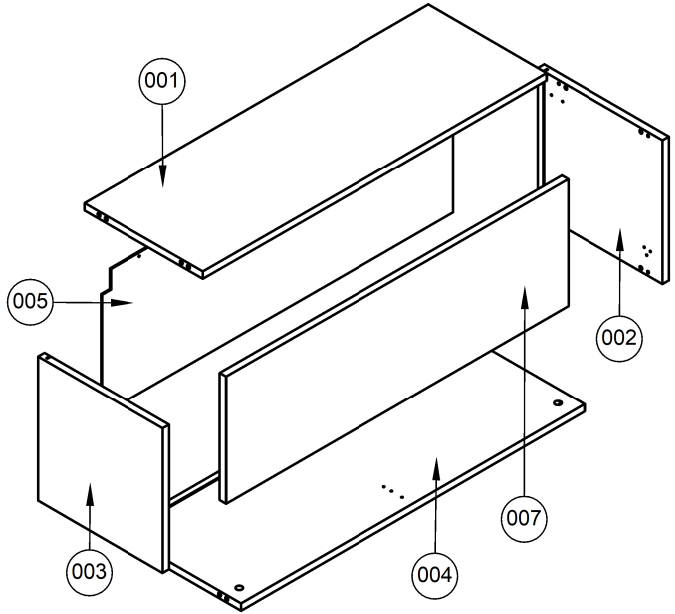
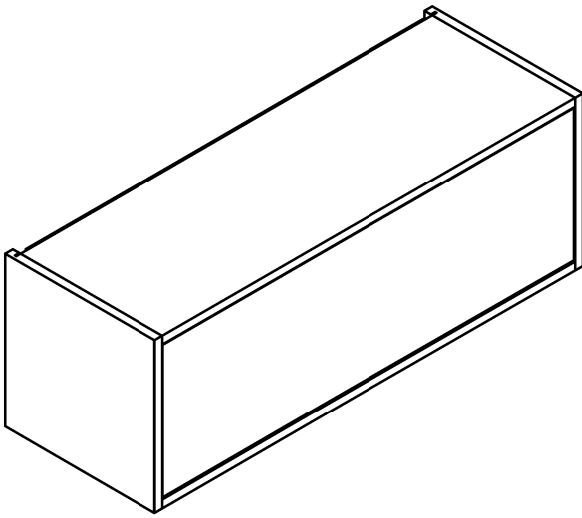


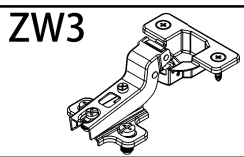
- 45 min.



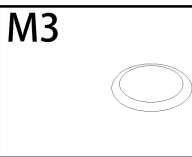
SZP100



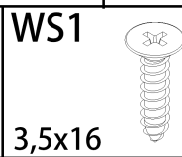
Number	Qty	Size A	Size B
001	1	964	332
002	1	350	350
003	1	350	350
004	1	964	350
005	1	342	984
007	1	309	960



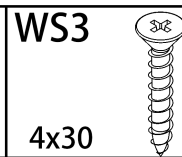
x2



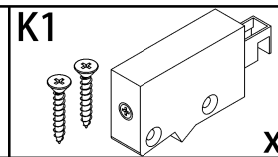
x8



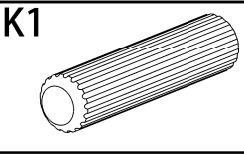
x20



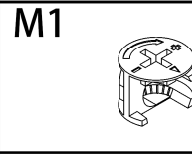
x4



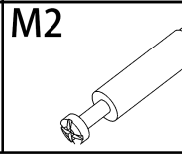
x2



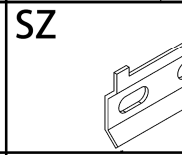
x8



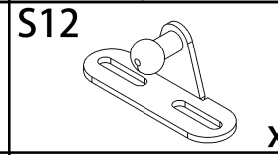
x8



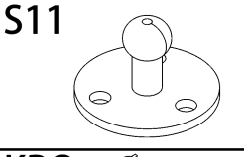
x8



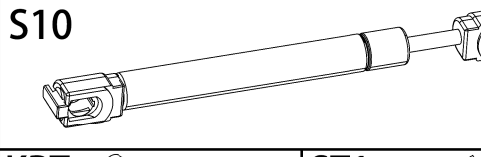
x2



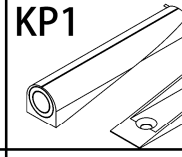
x2



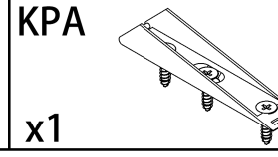
x2



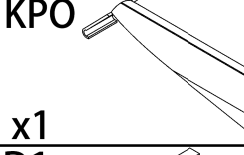
x2



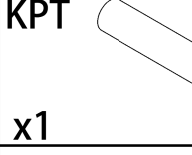
x1



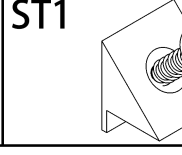
x1



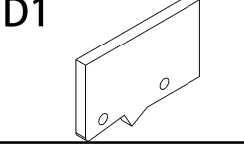
x1



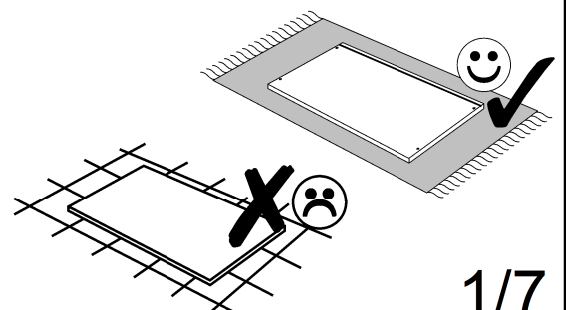
x1


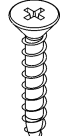
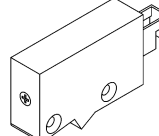
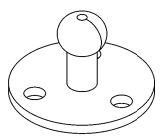
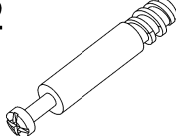


x7

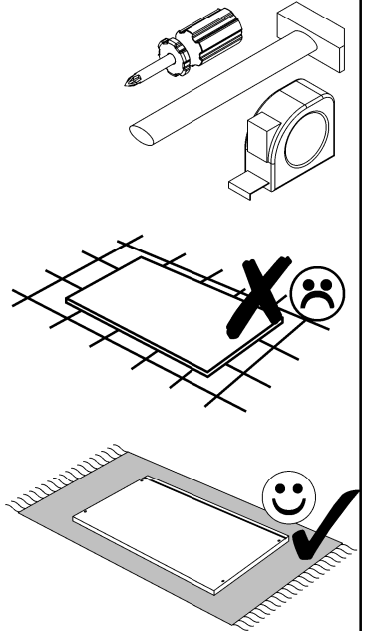
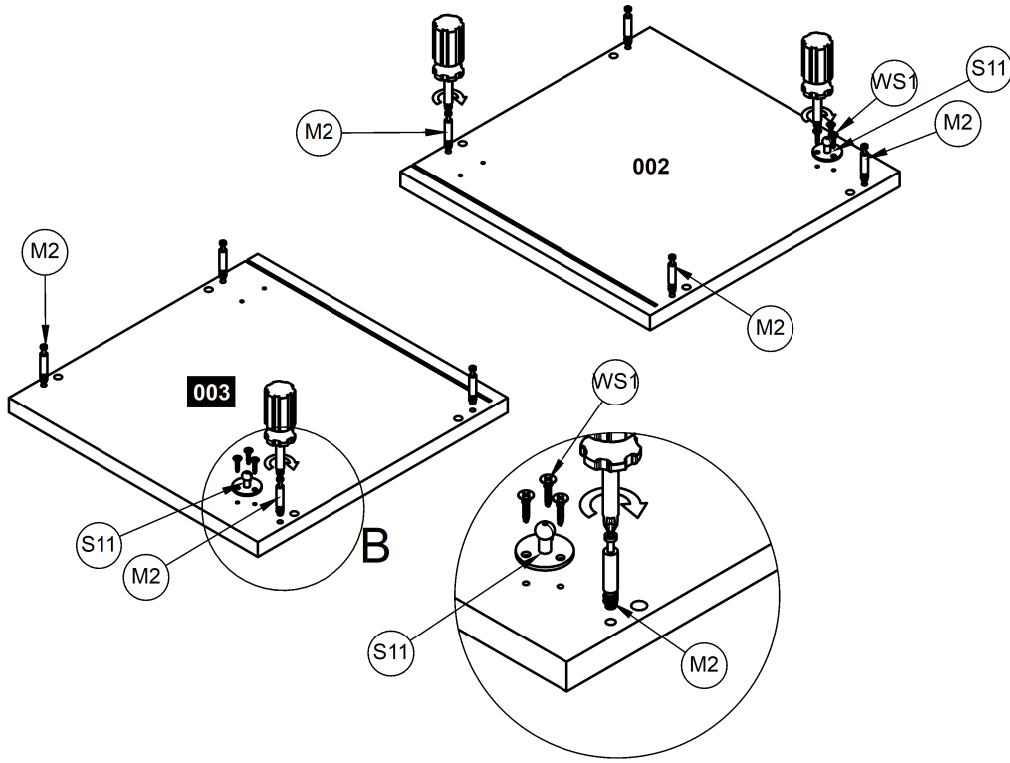


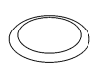
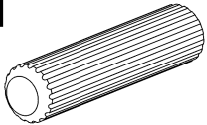
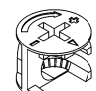
x2



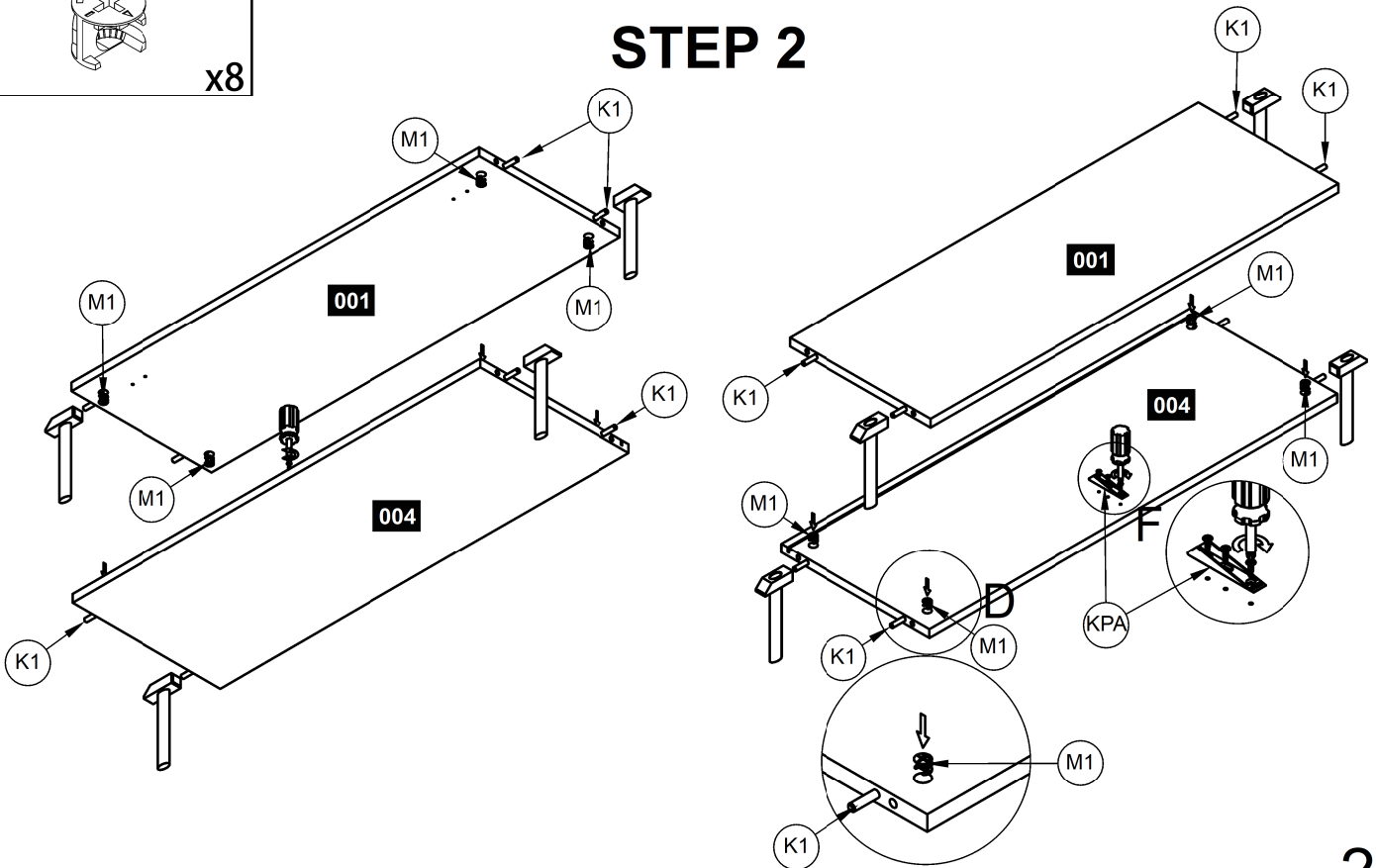
WS1  3,5x16 x20	WS3  4x35 x4	ZR2  x2	S11  x2	M2  x8
--	---	--	--	---

STEP 1

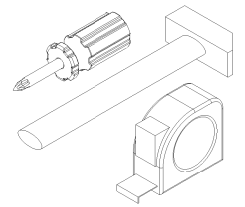


M3  x8	K1  x8
M1  x8	

STEP 2

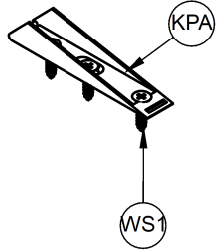


KPT x1	KPO x1	KPA x1
-----------	-----------	-----------

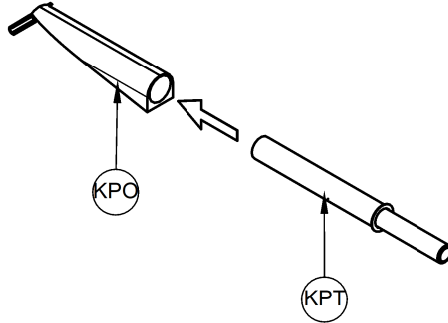


STEP 3

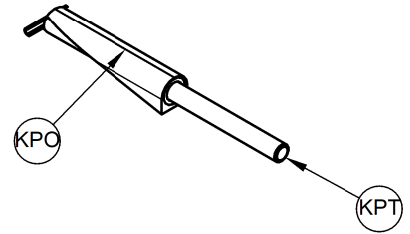
STEP 3 A



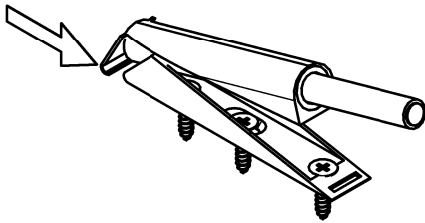
STEP 3 B



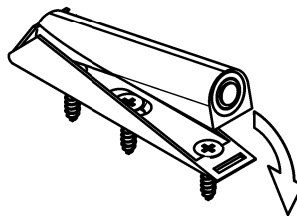
STEP 3 C



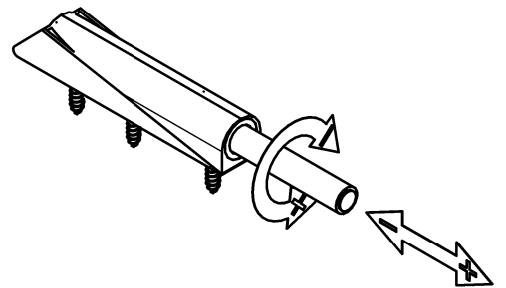
STEP 3 D



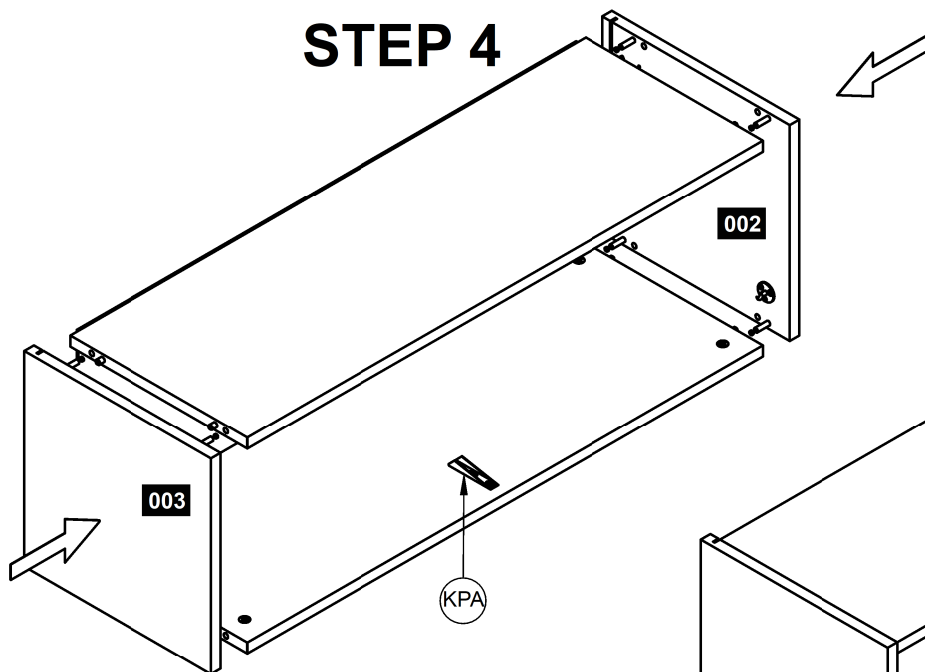
STEP 3 E



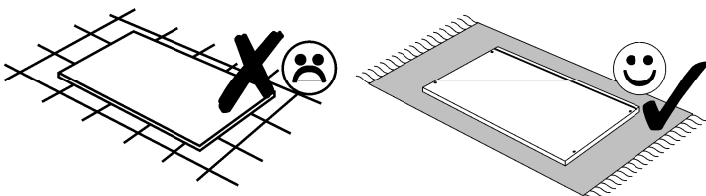
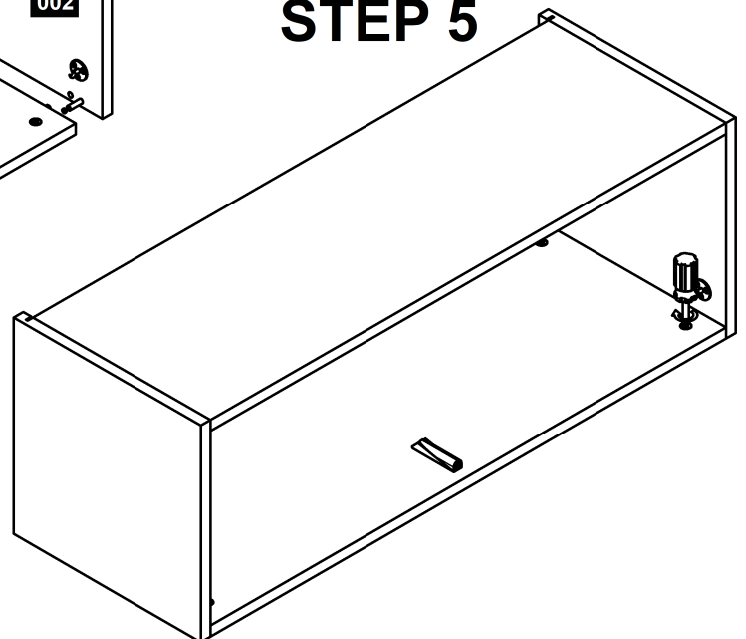
STEP 3 F



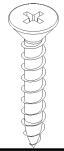
STEP 4



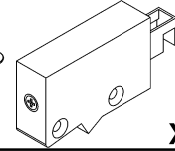
STEP 5



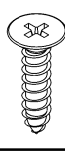
WS4
4x35 x4



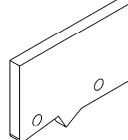
K1
x2



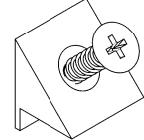
WS1
3,5x16 x20



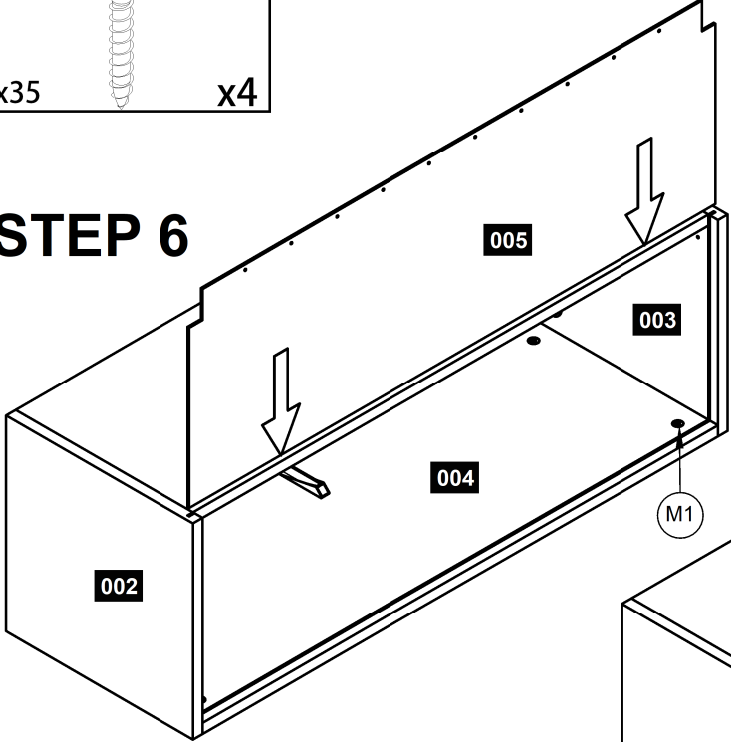
D1
x2



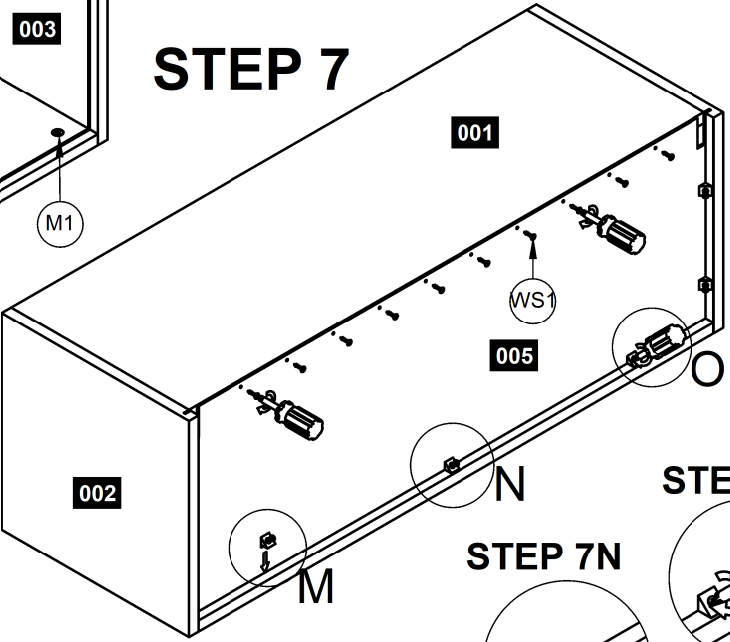
ST1
x7



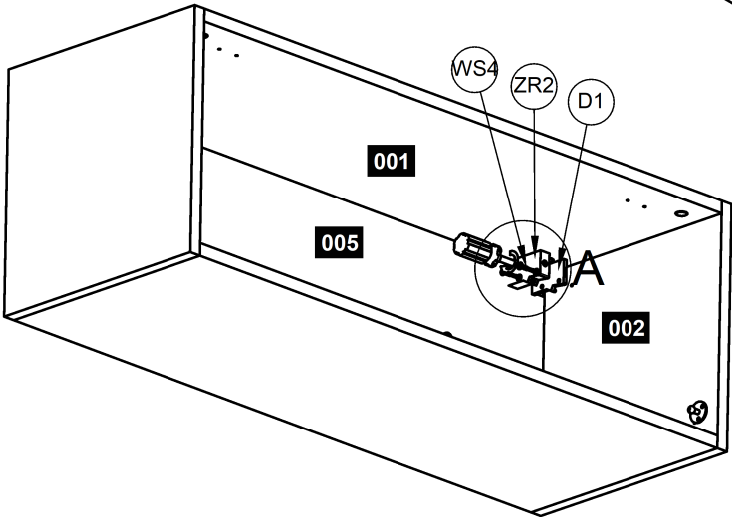
STEP 6



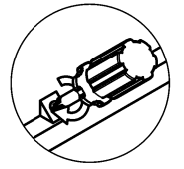
STEP 7



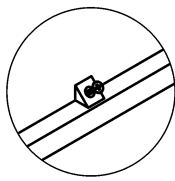
STEP 7



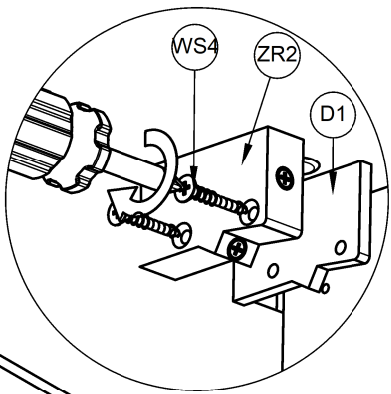
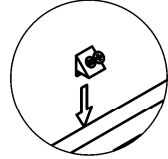
STEP 7O



STEP 7N



STEP 7M

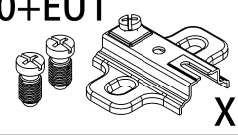
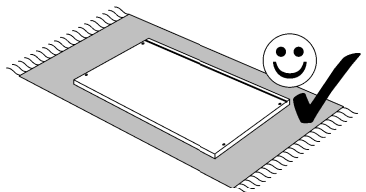
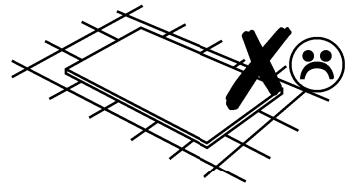
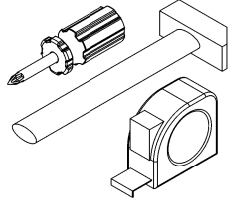
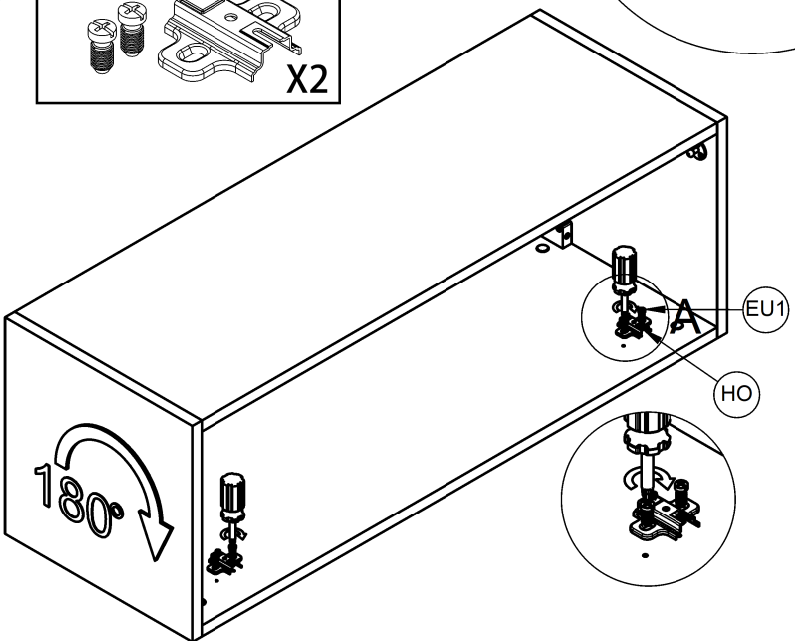


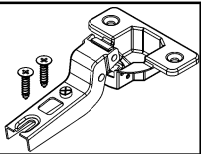
STEP 8

180°

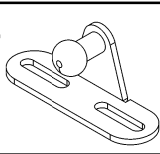


H0+EU1
x2

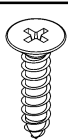


S12



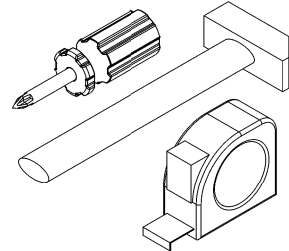
x2

WS1

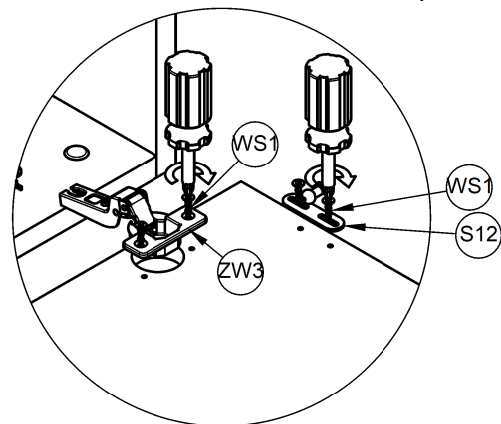
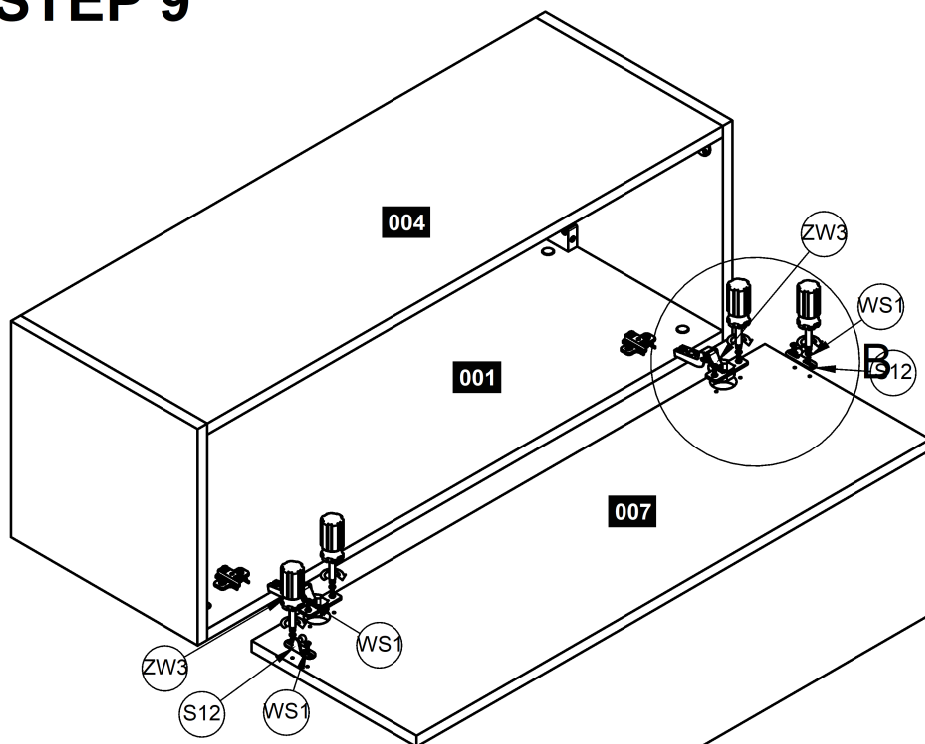


3,5x16

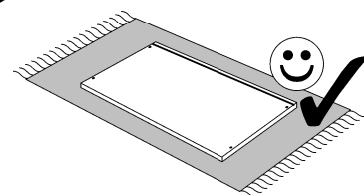
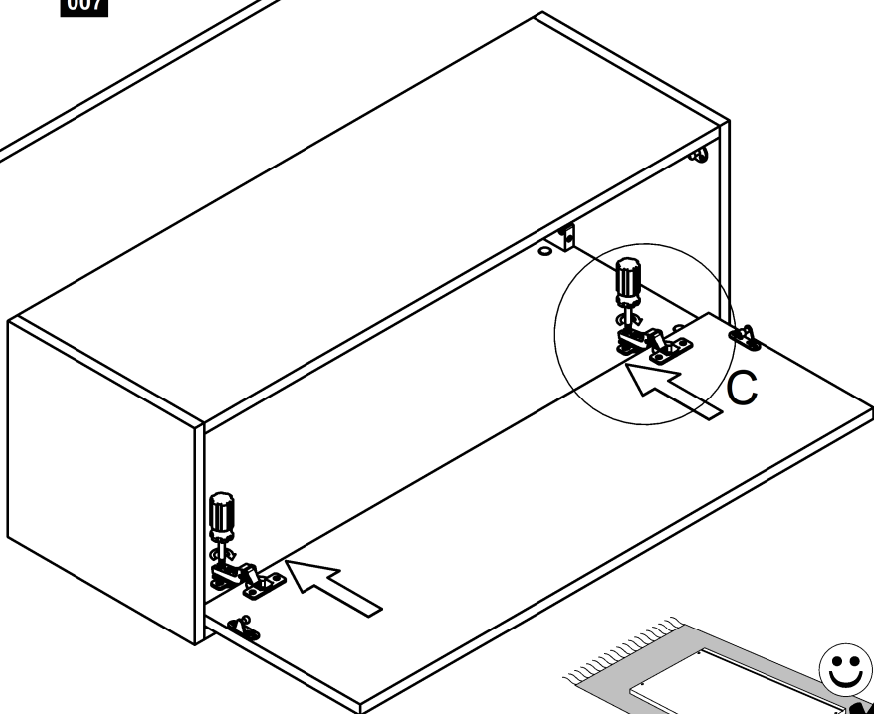
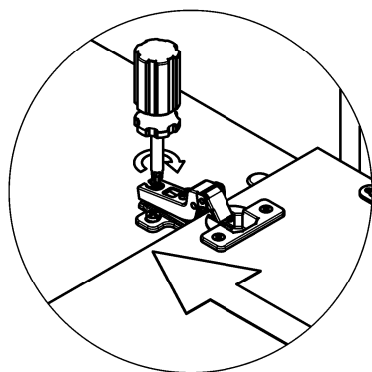
x20



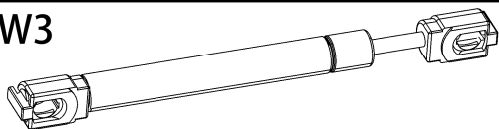
STEP 9



STEP 10

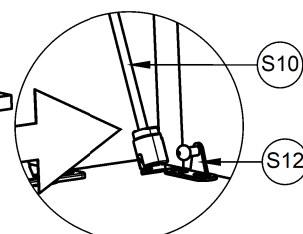
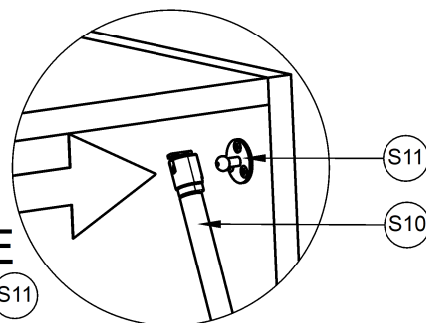
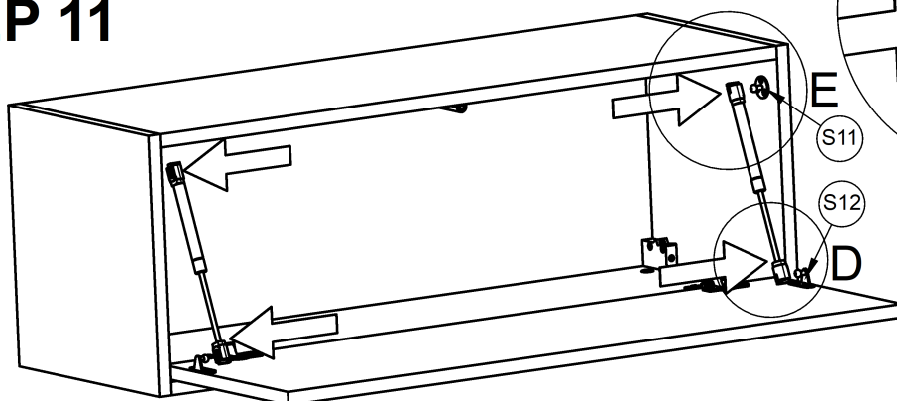


ZW3

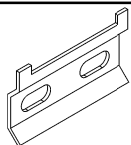


x2

STEP 11

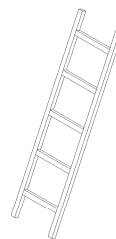
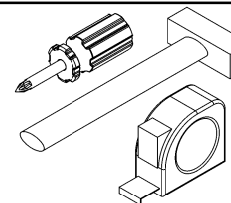
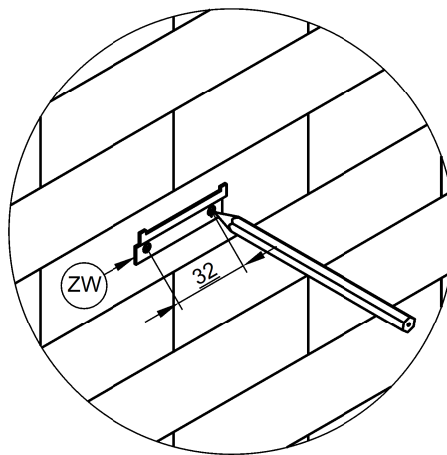
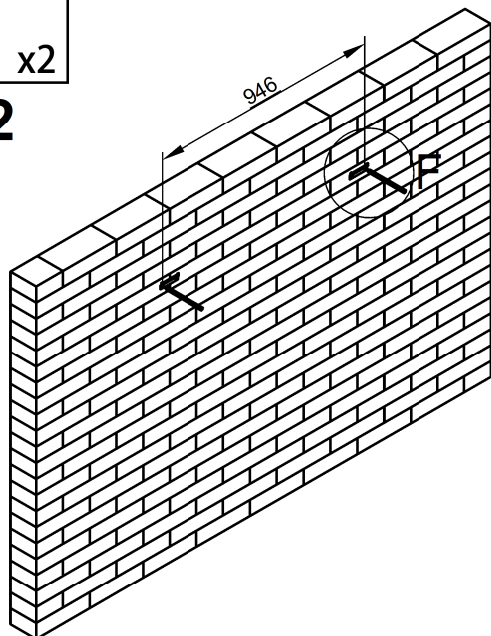


SZ

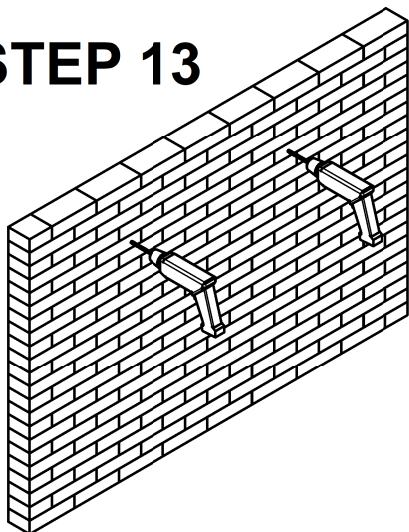


x2

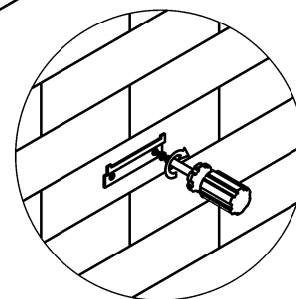
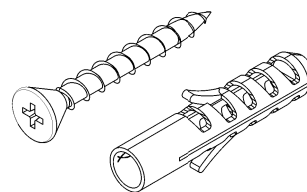
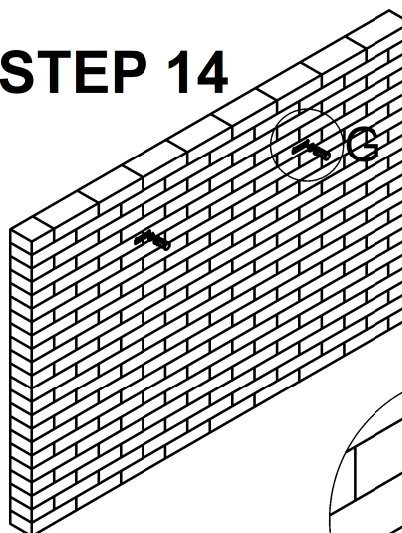
STEP 12



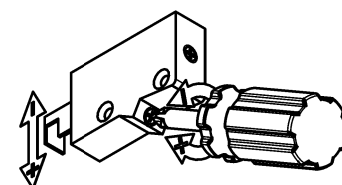
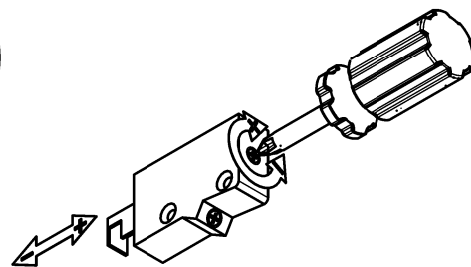
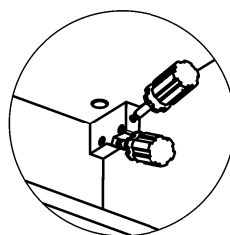
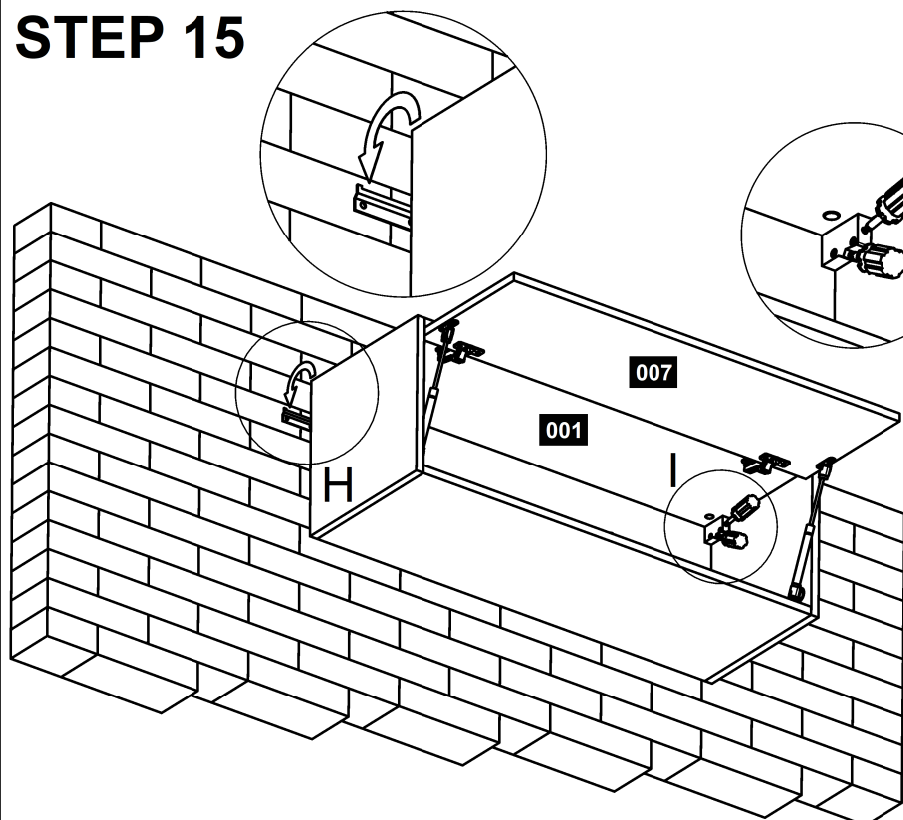
STEP 13



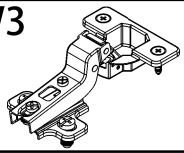
STEP 14



STEP 15



ZW3



x2

