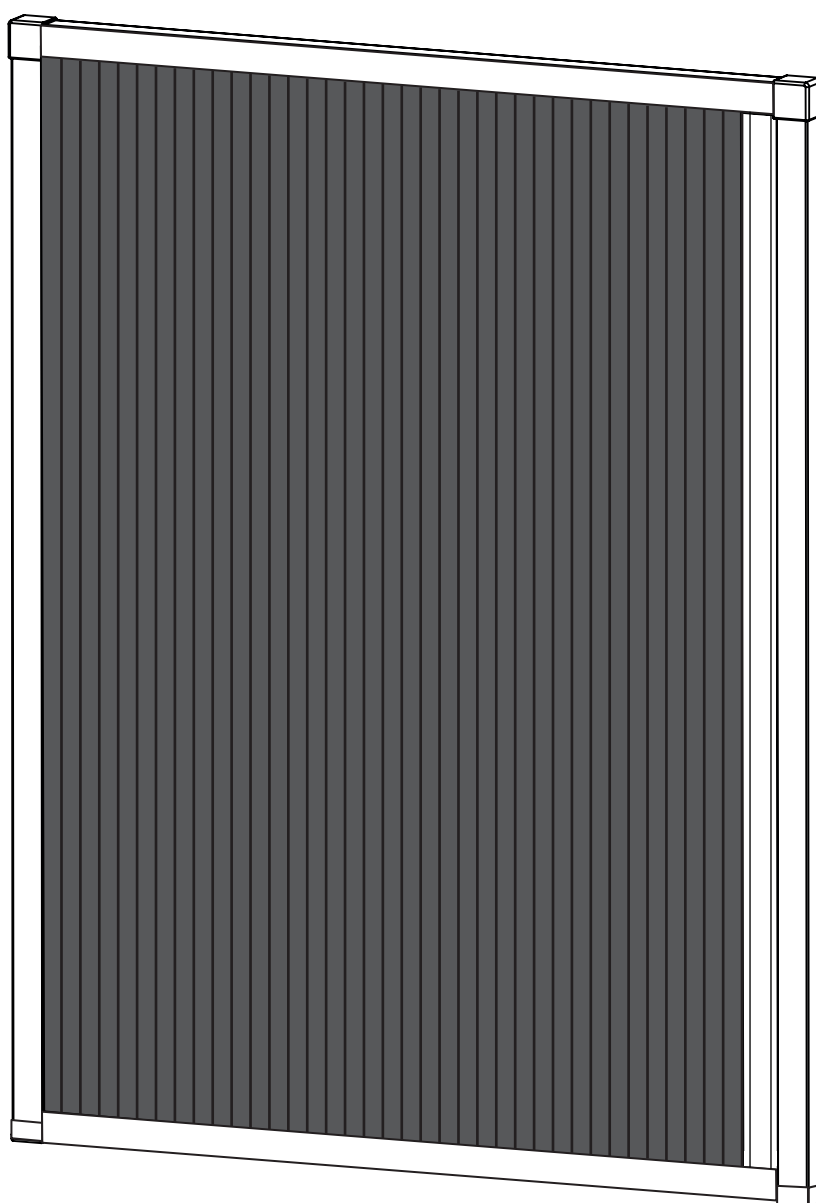


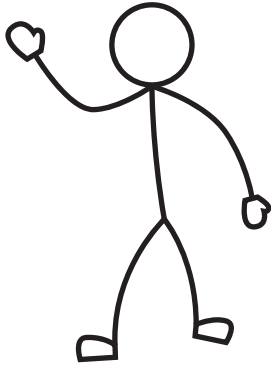


SCHELLENBERG

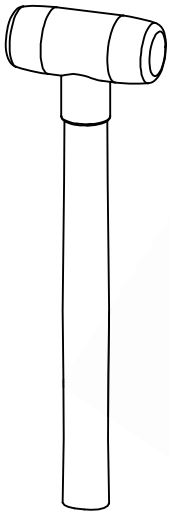
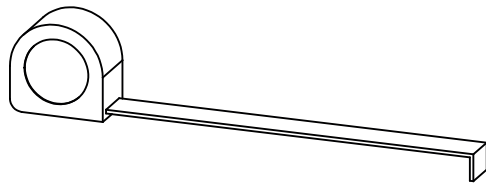
PLISSEE

70993, 70994

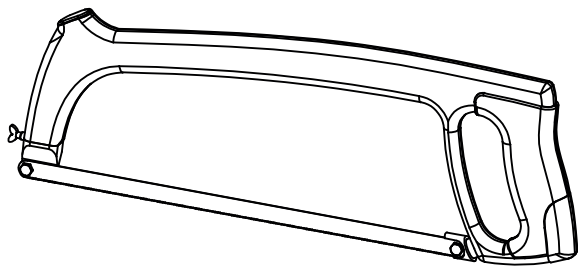
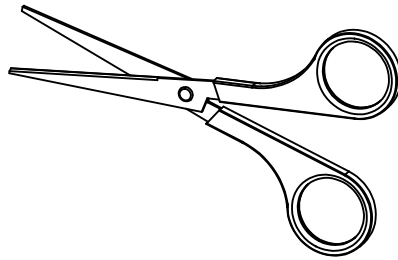




2x



PZ2





M
4x

B1
2x

B2
2x

B3
1x

B4
1x

C1 2x

C2 2x

D1 1x

D2 1x

2x
H

E 10x

I 1x

D1

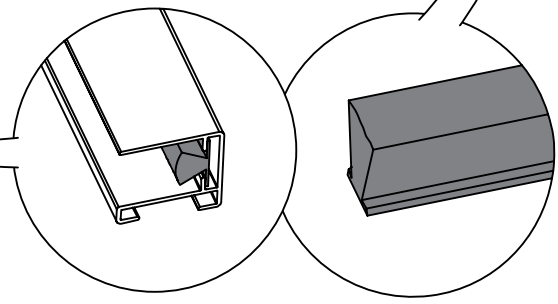
D2

C2

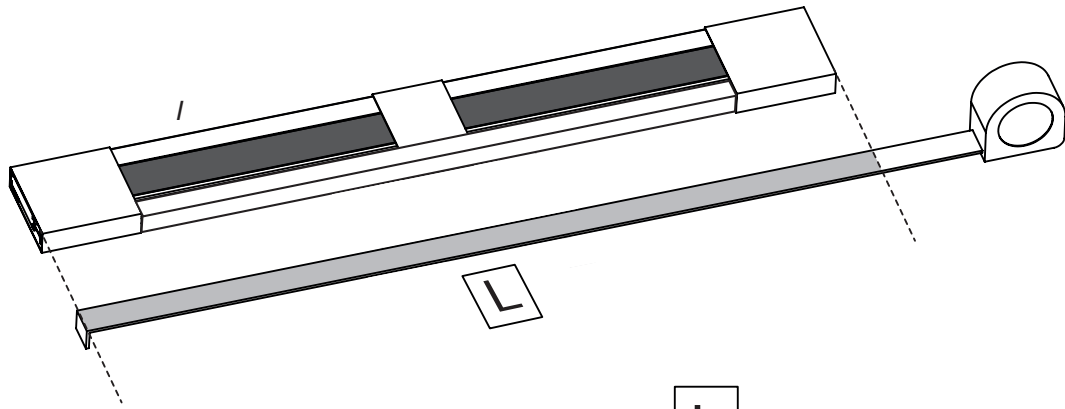
C1

J 1x

N
1x

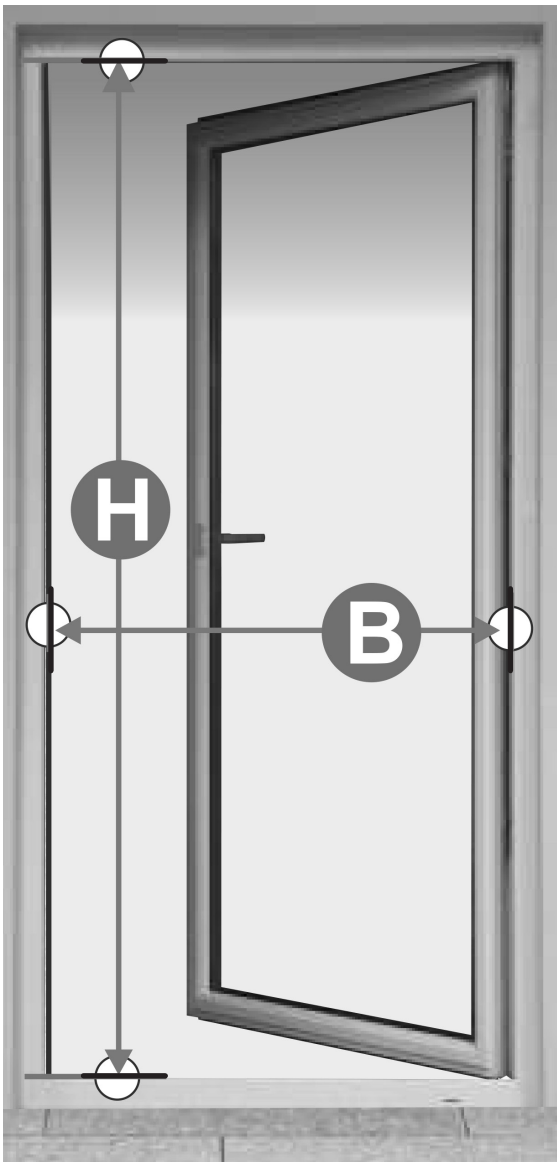


1.



L = _____ , _____ cm

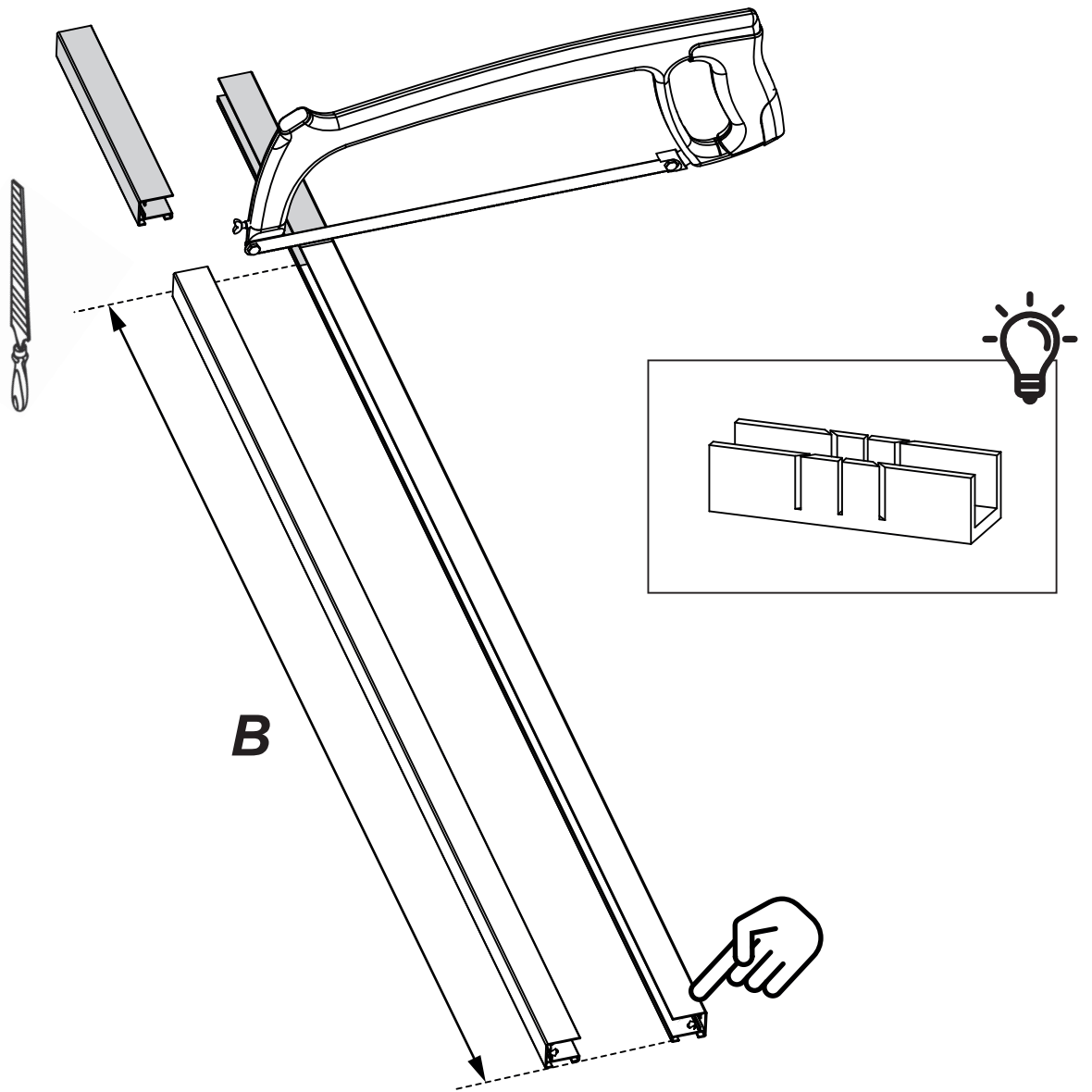
2.



B = _____ , _____ cm

H = _____ , _____ cm

3.

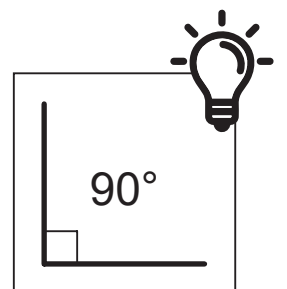
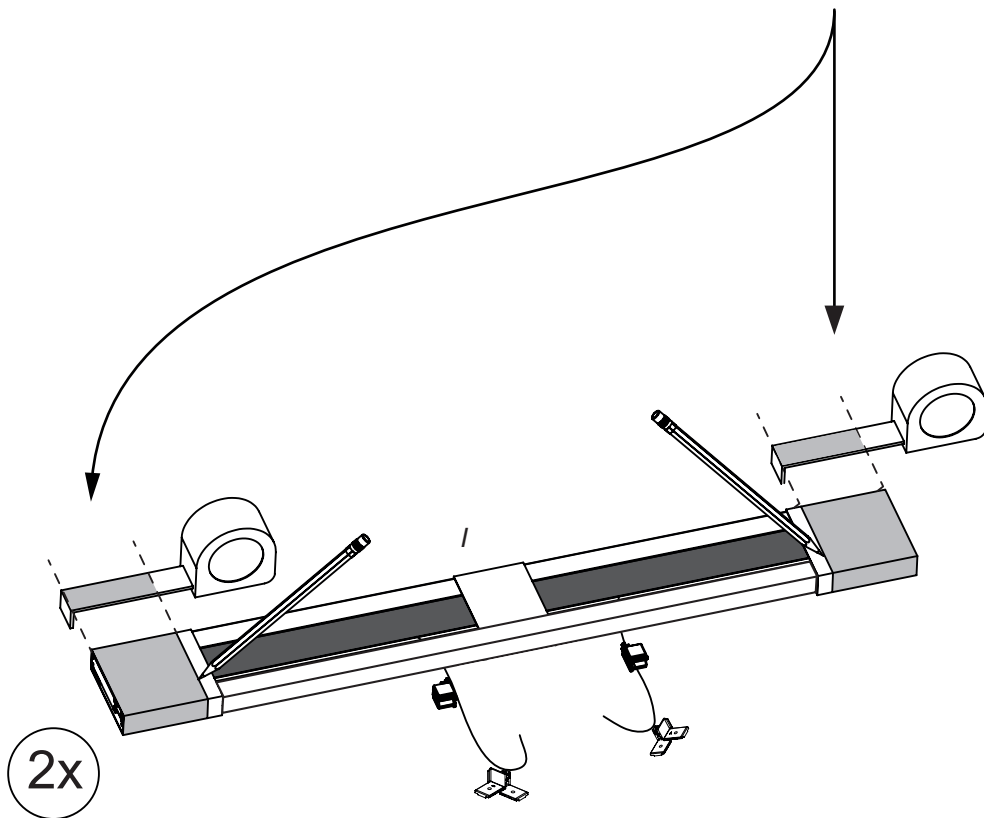


a) $\boxed{L} - \boxed{H} = \underline{\hspace{1cm}}, \underline{\hspace{1cm}} \text{ cm} - \underline{\hspace{1cm}}, \underline{\hspace{1cm}} \text{ cm} = \underline{\hspace{1cm}}, \underline{\hspace{1cm}}$
 _____ cm

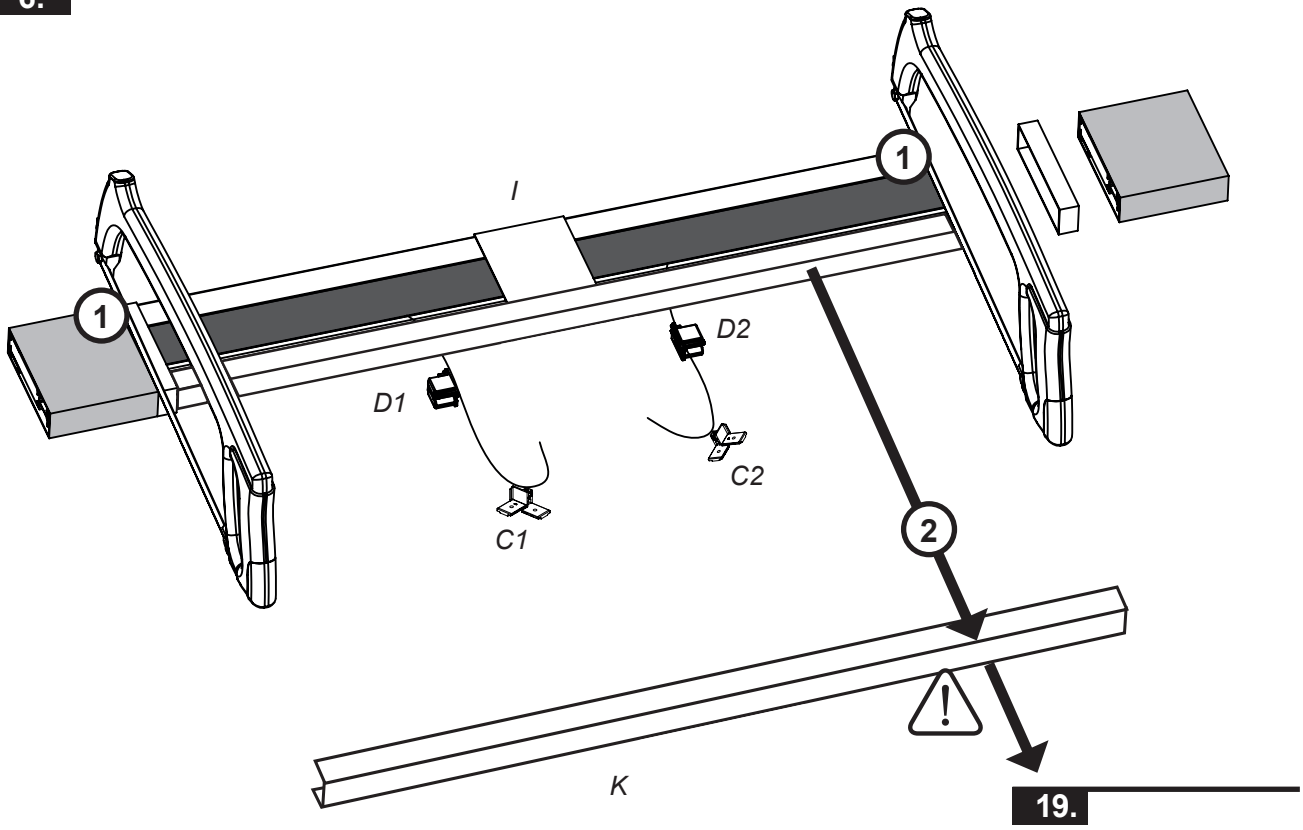
b) _____ , _____ cm - 3,0 cm = _____ , _____ cm

c) $\frac{\underline{\hspace{1cm}}, \underline{\hspace{1cm}}}{2} = \boxed{\underline{\hspace{1cm}}, \underline{\hspace{1cm}} \text{ cm}}$

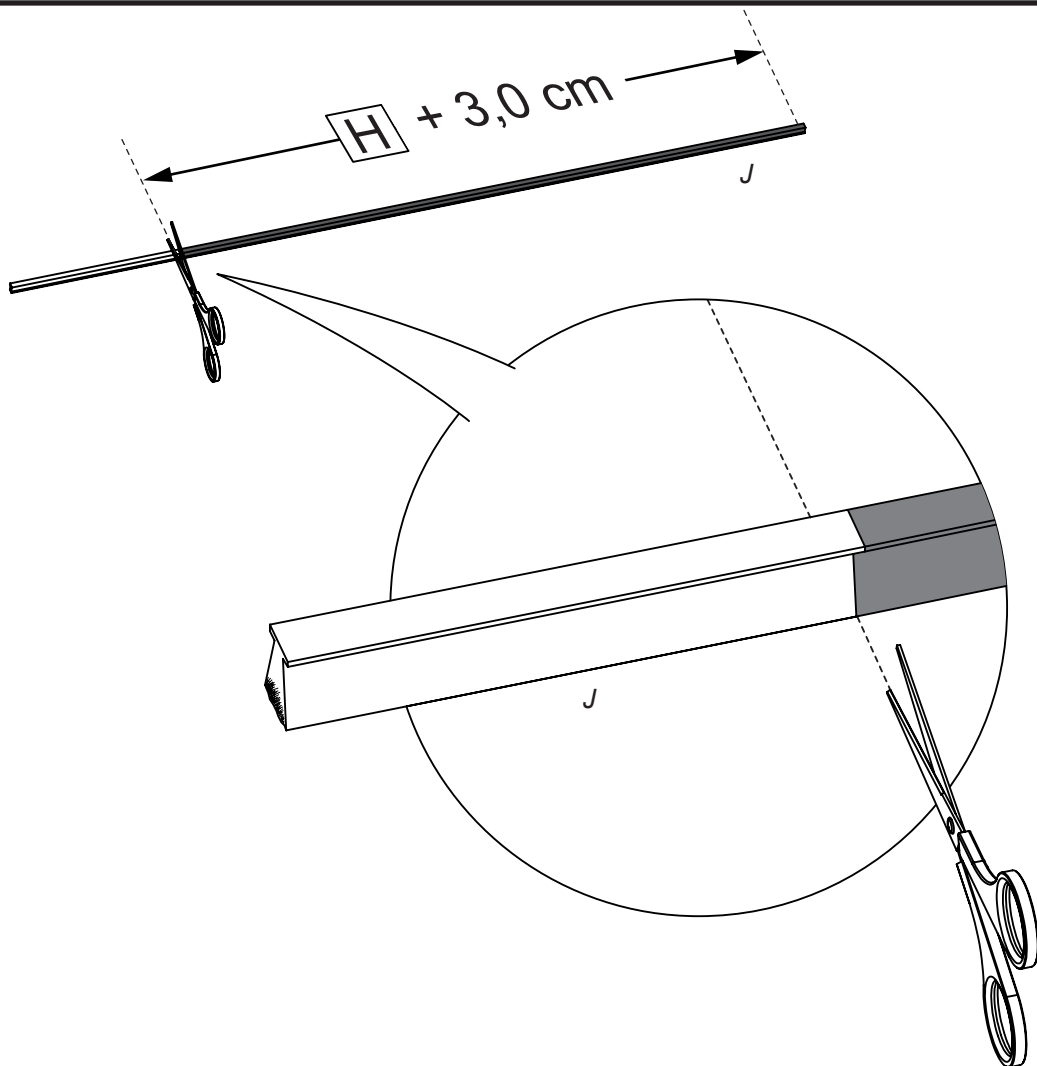
5.



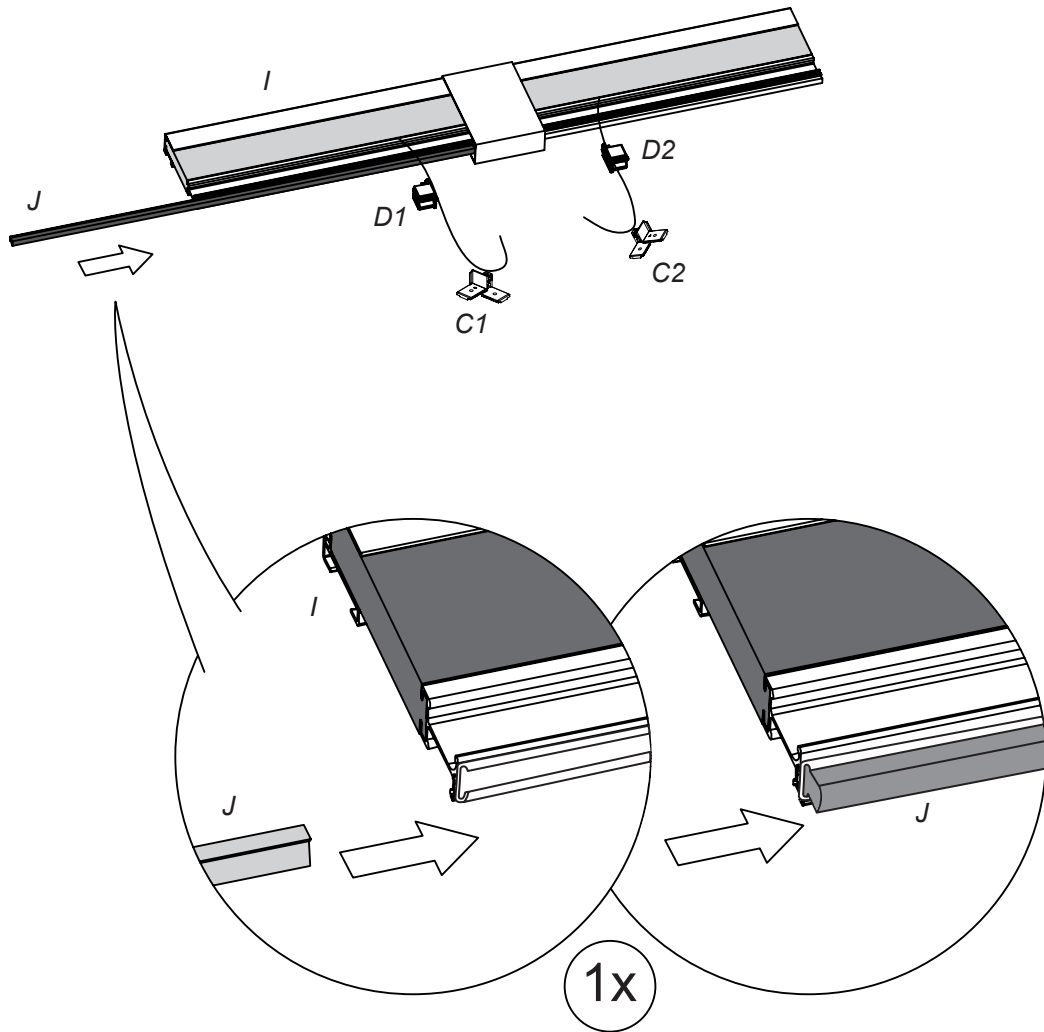
6.



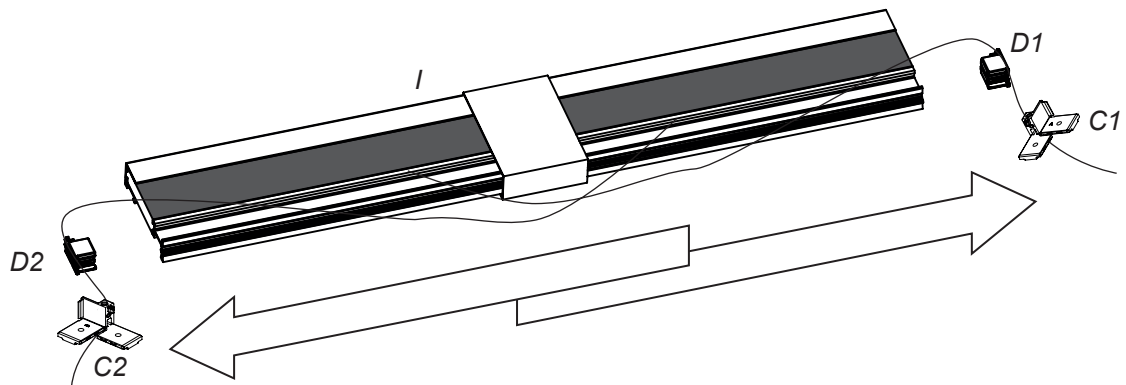
7.



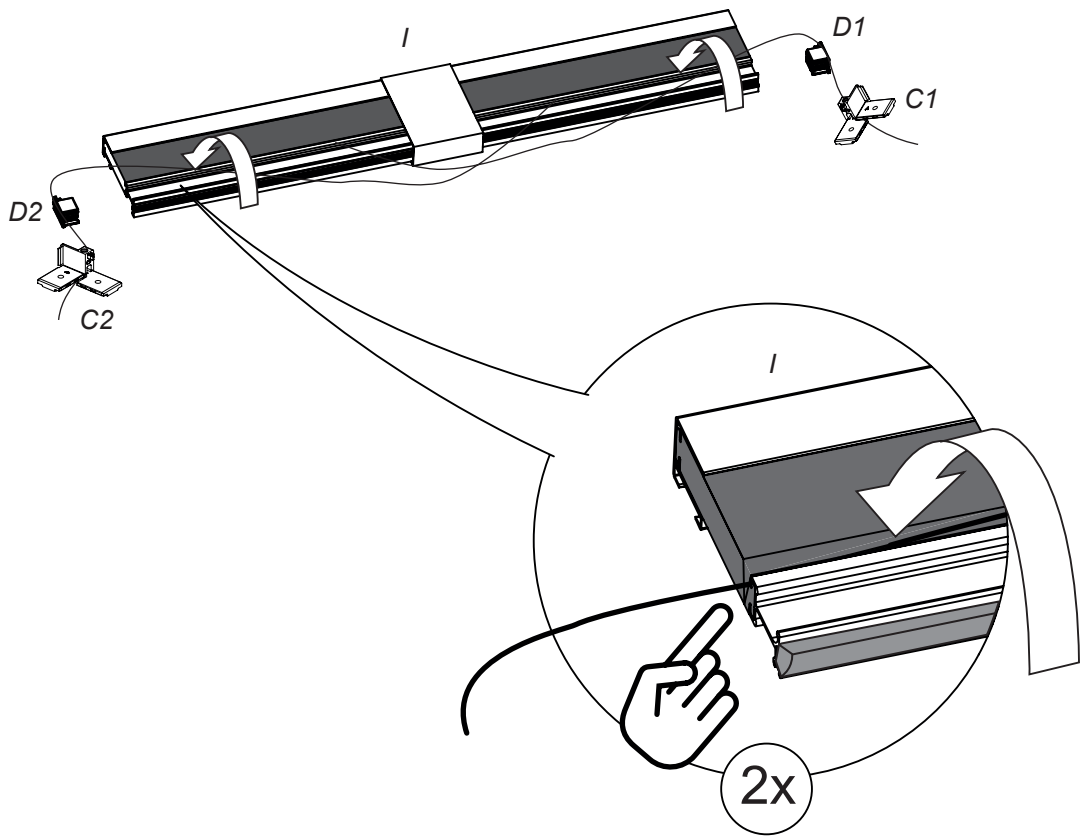
8.



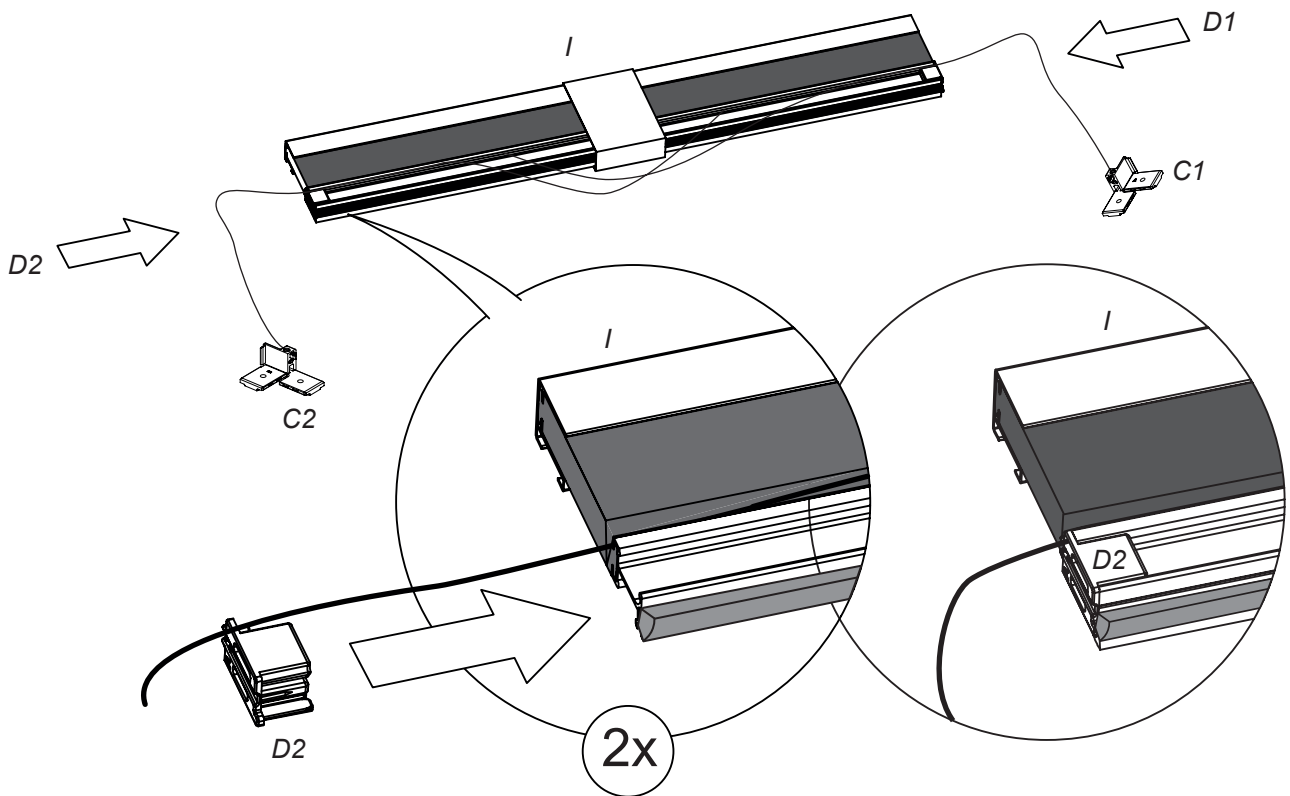
9.

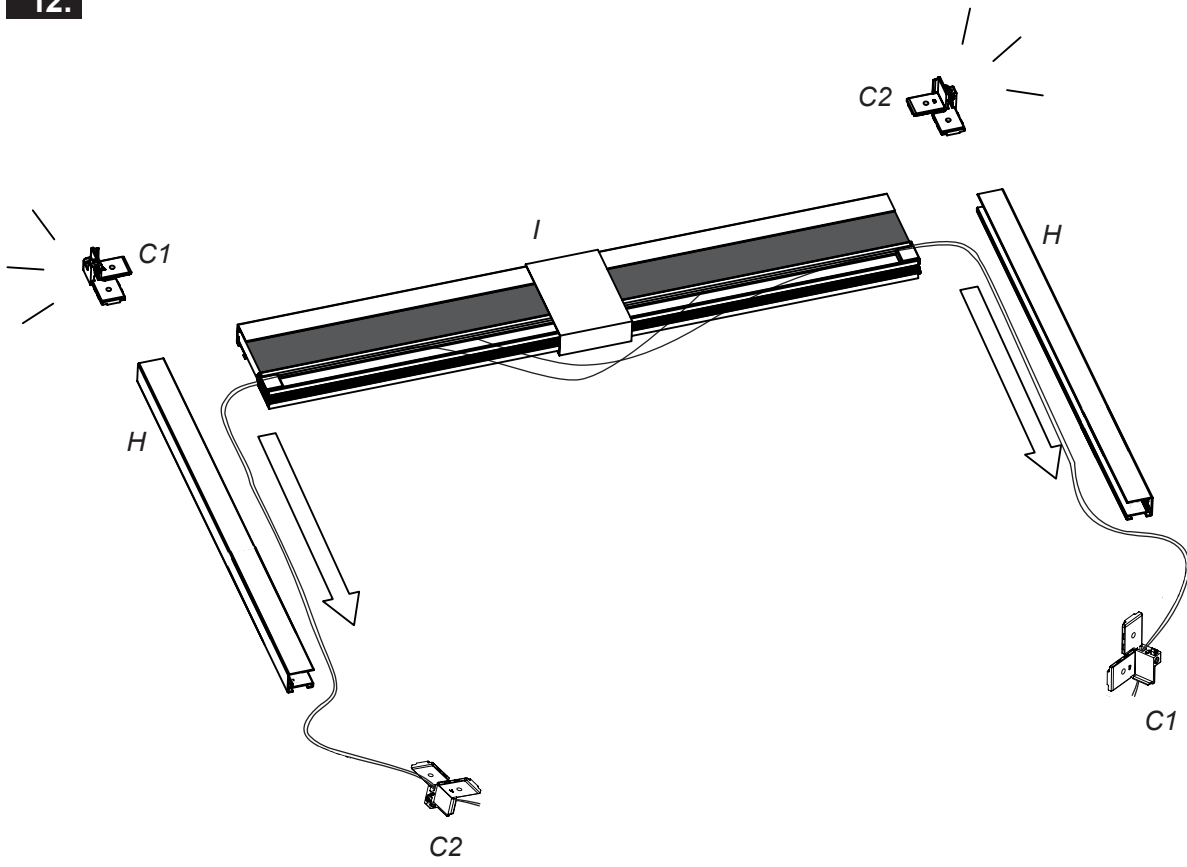


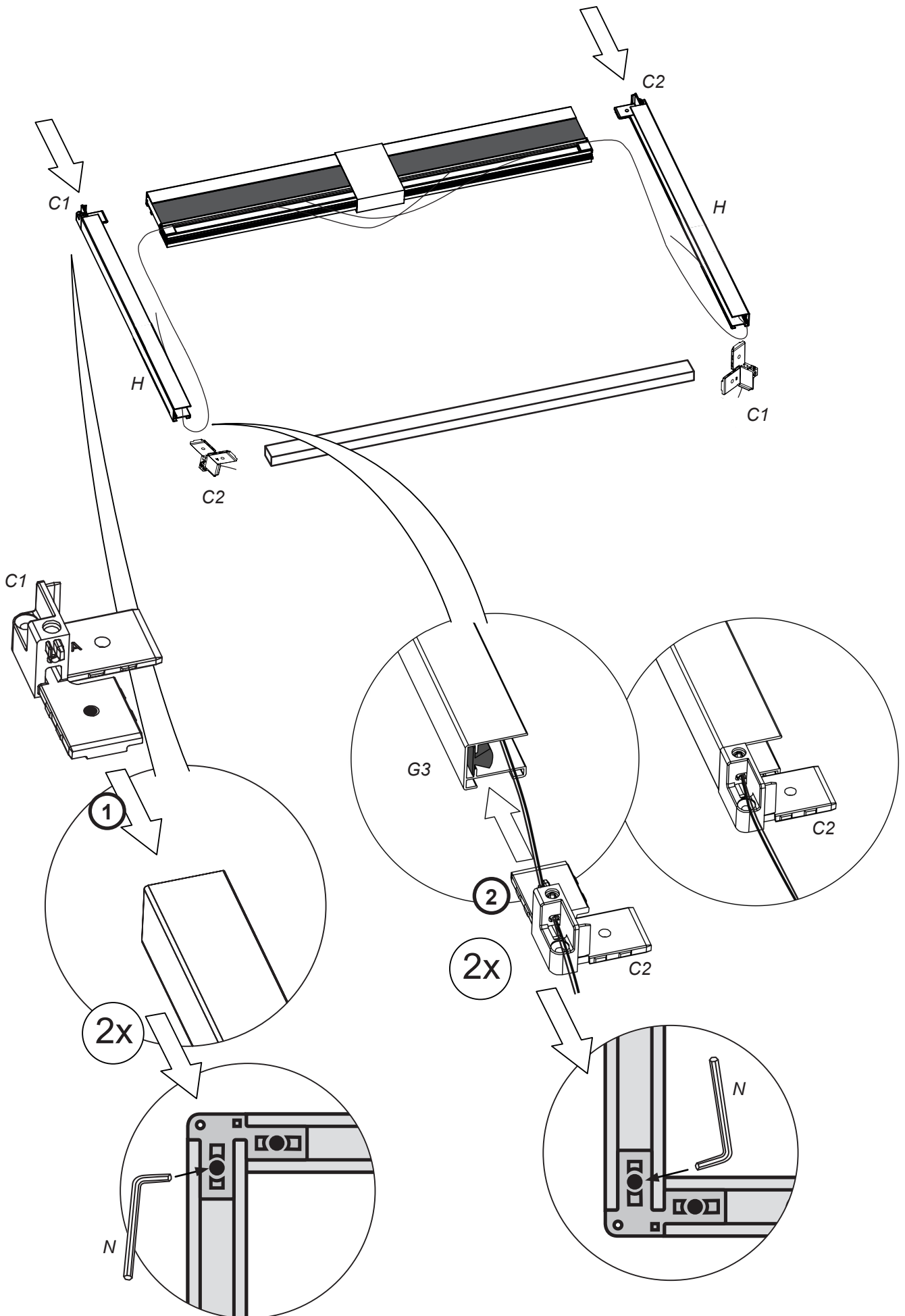
10.

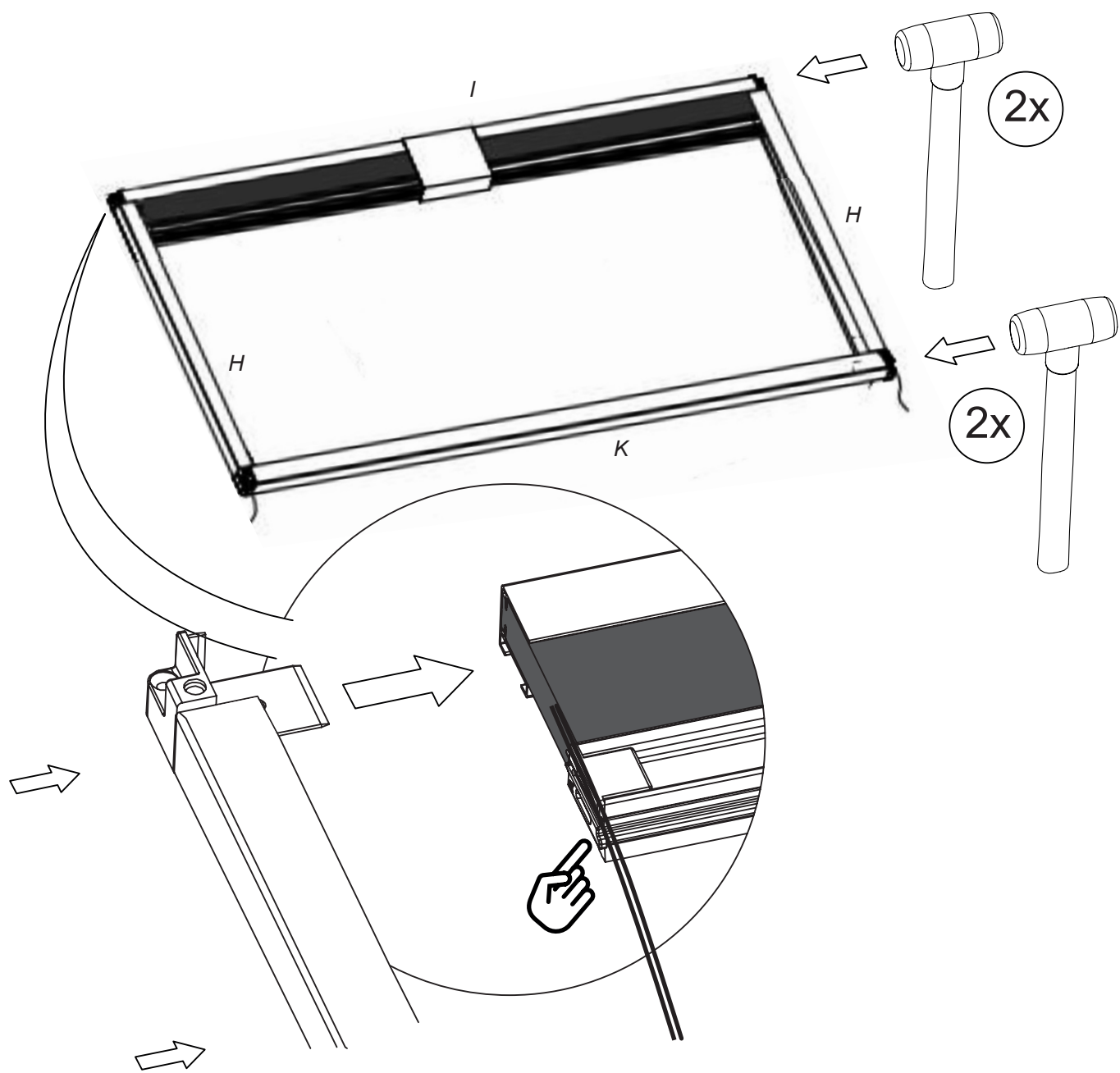


11.

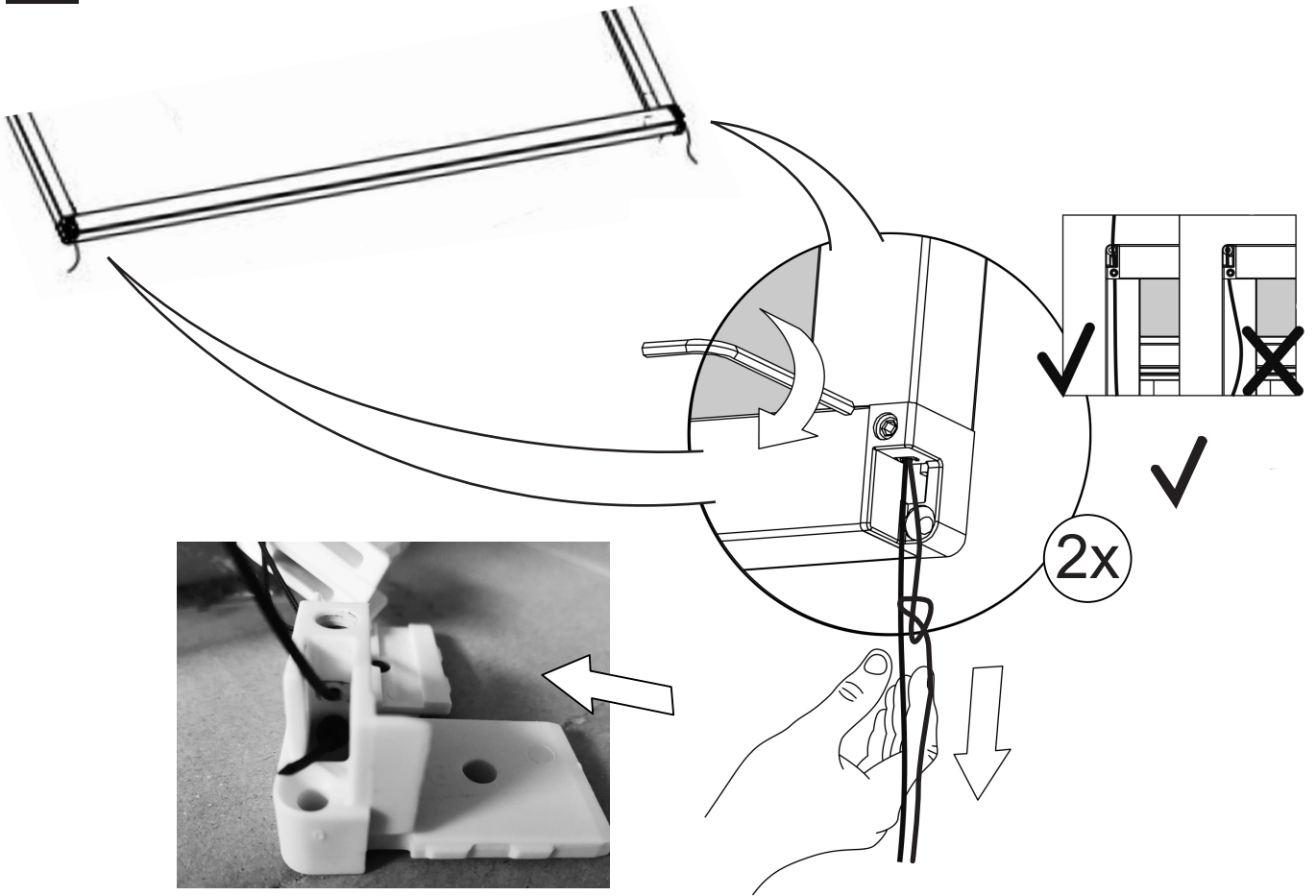




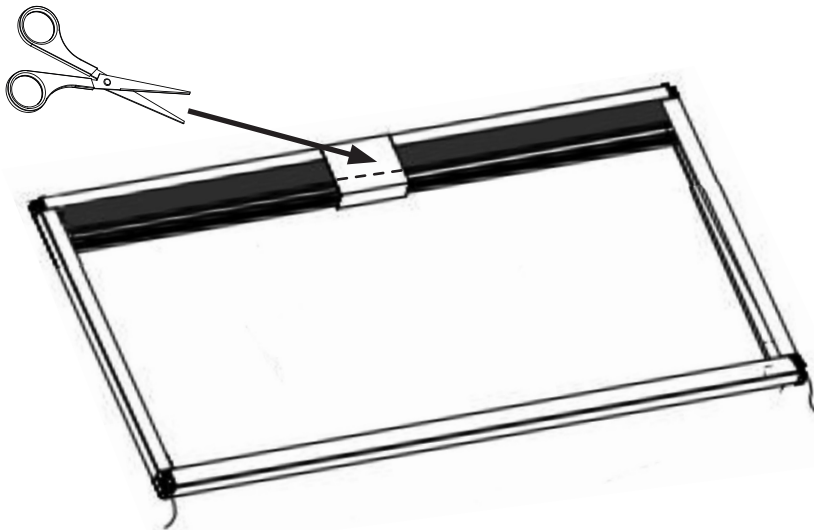




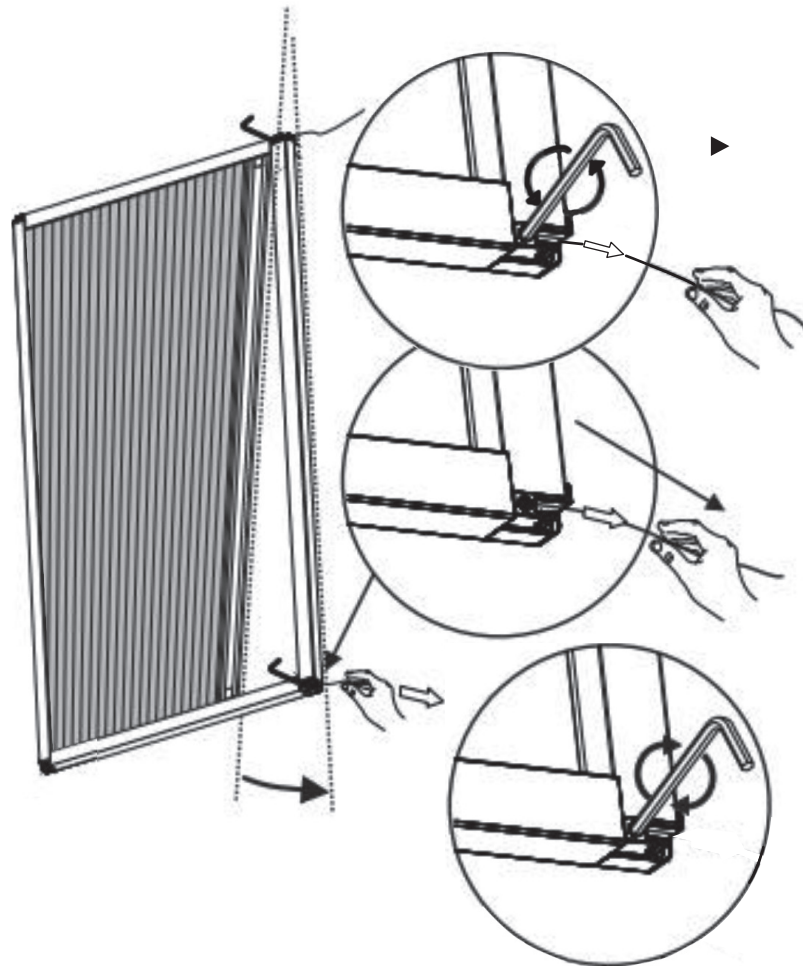
15.



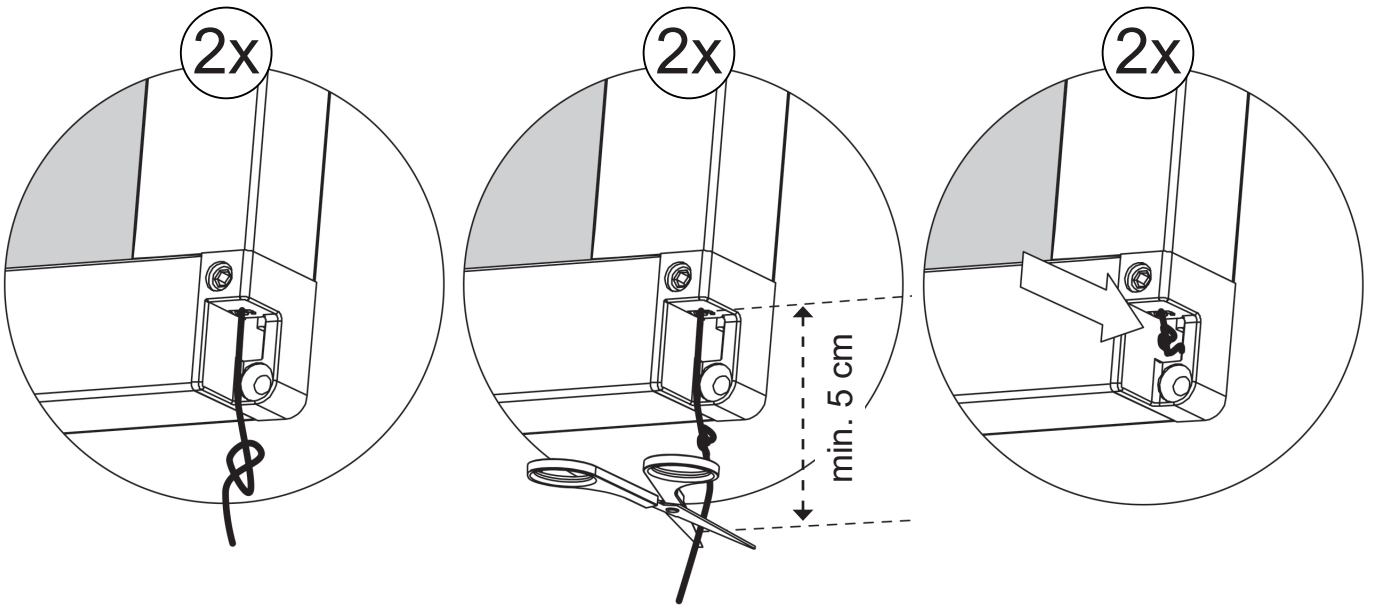
16.



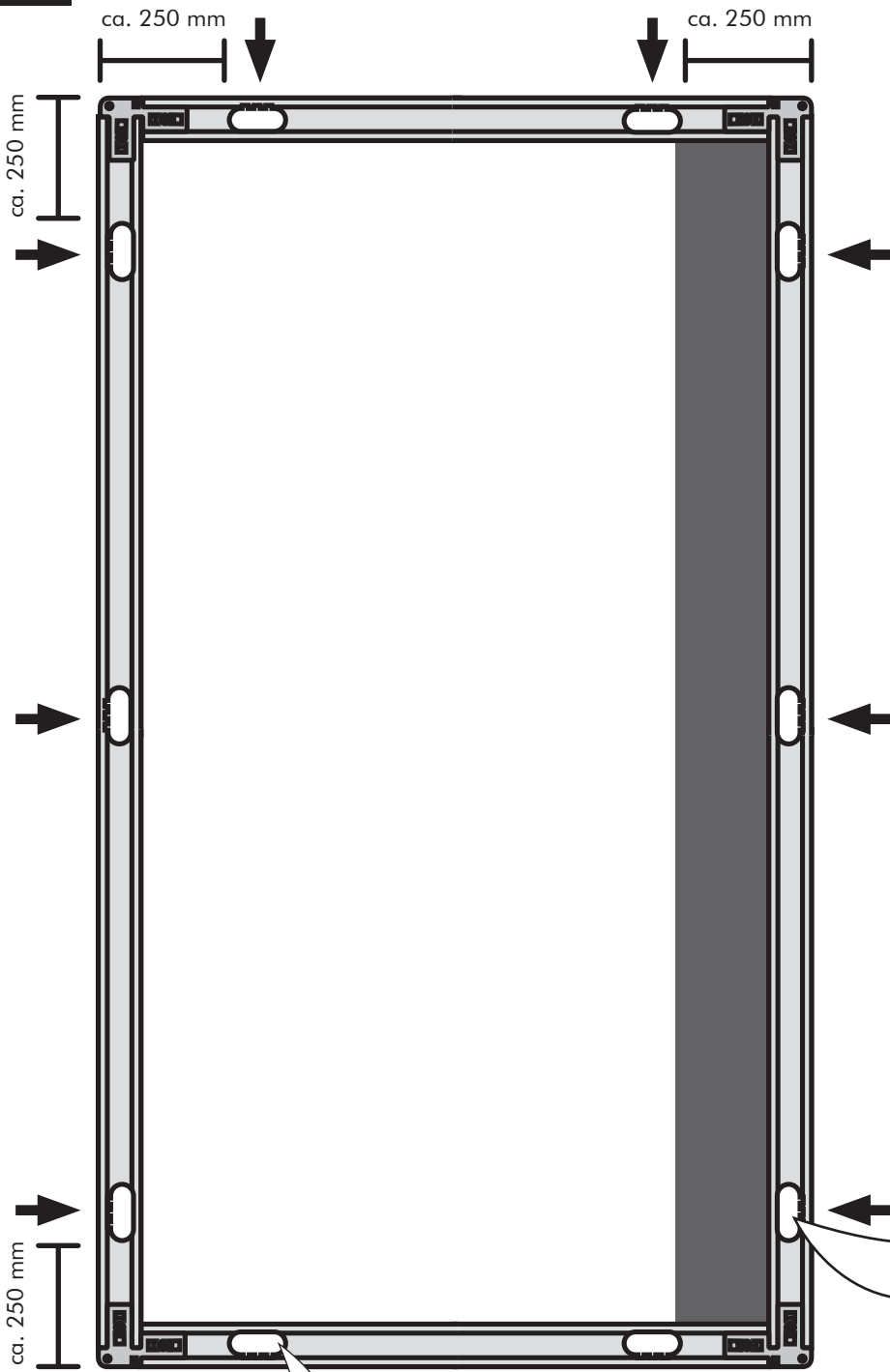
17.



18.



19.

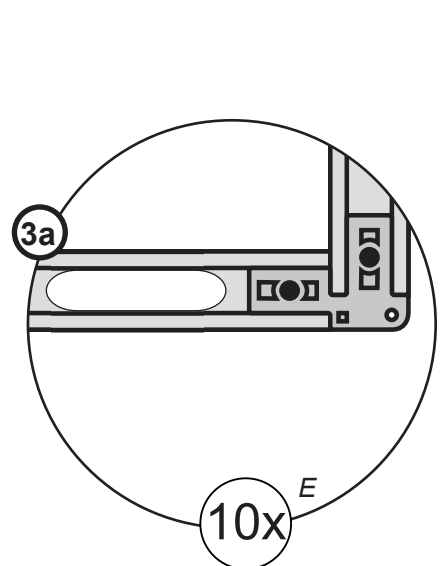
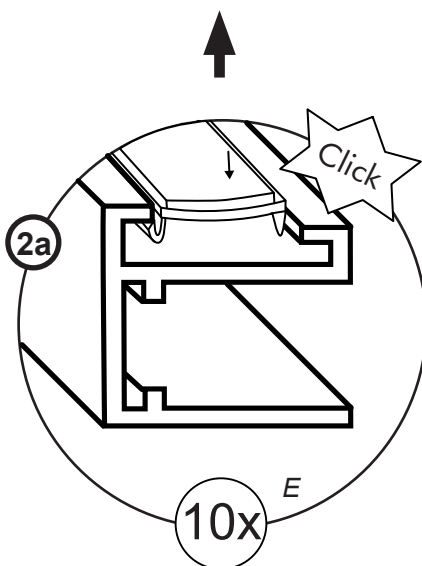
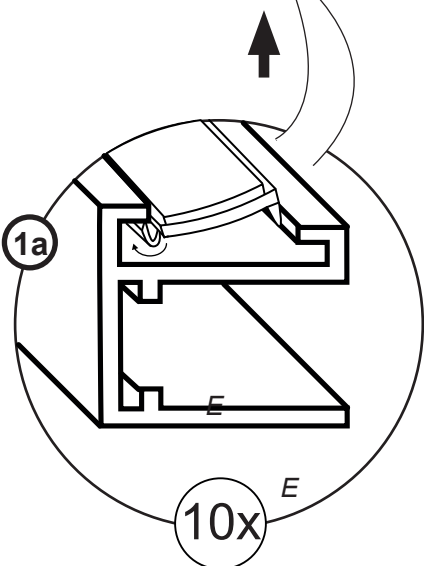
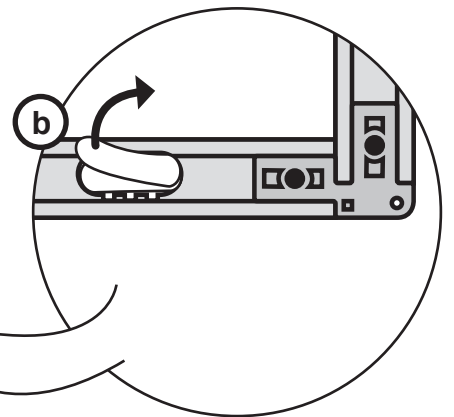


OPT 1

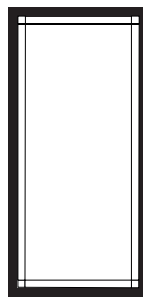
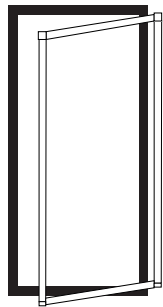


OPT 2

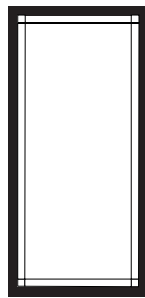
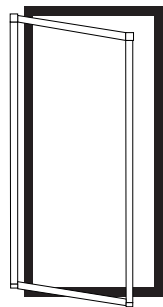
22.



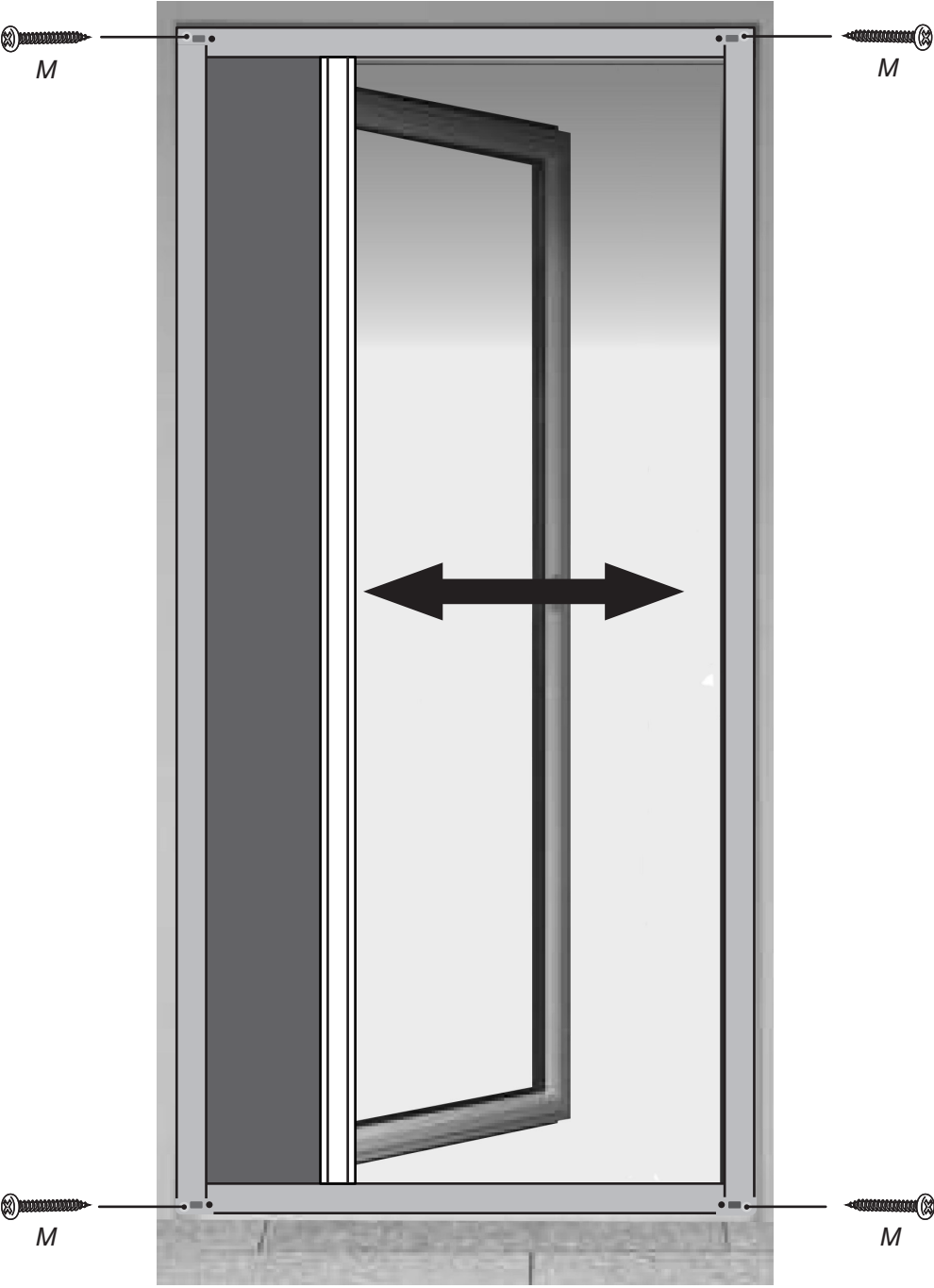
OPT A



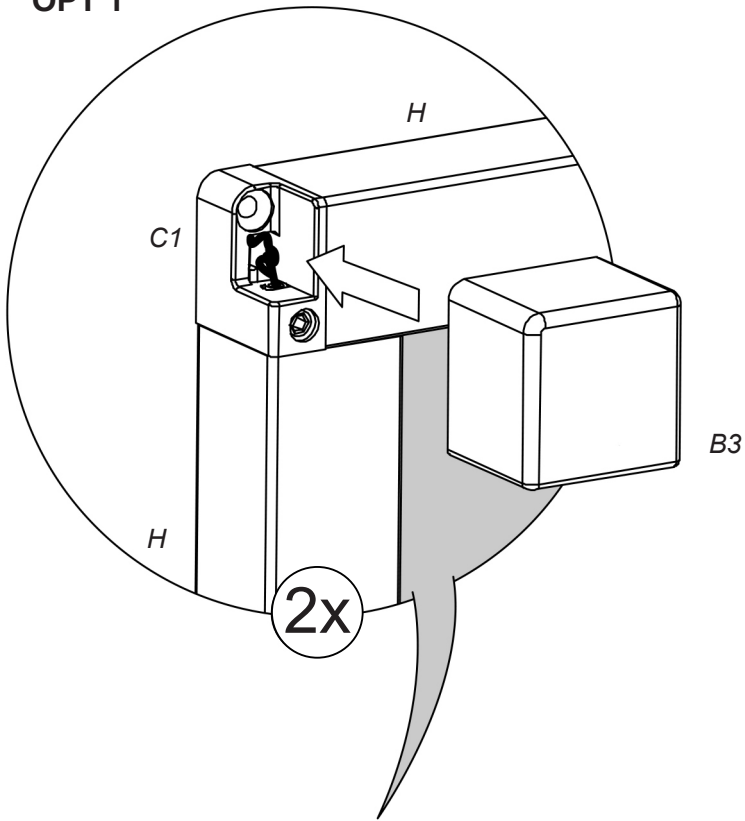
OPT B



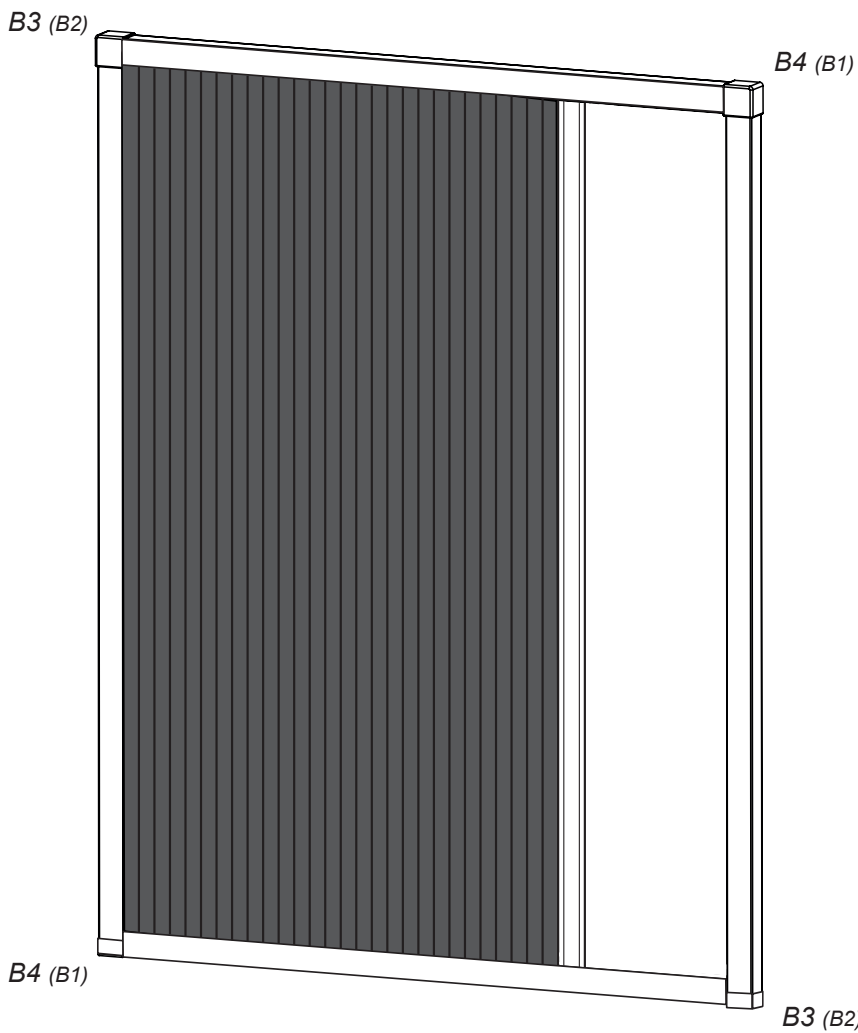
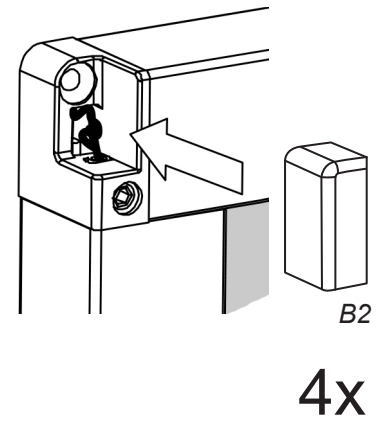
OPTIONAL 2



OPT 1



OPT 2





Alfred Schellenberg GmbH
An den Weiden 31
D-57078 Siegen
service.int@schellenberg.de
www.schellenberg.de