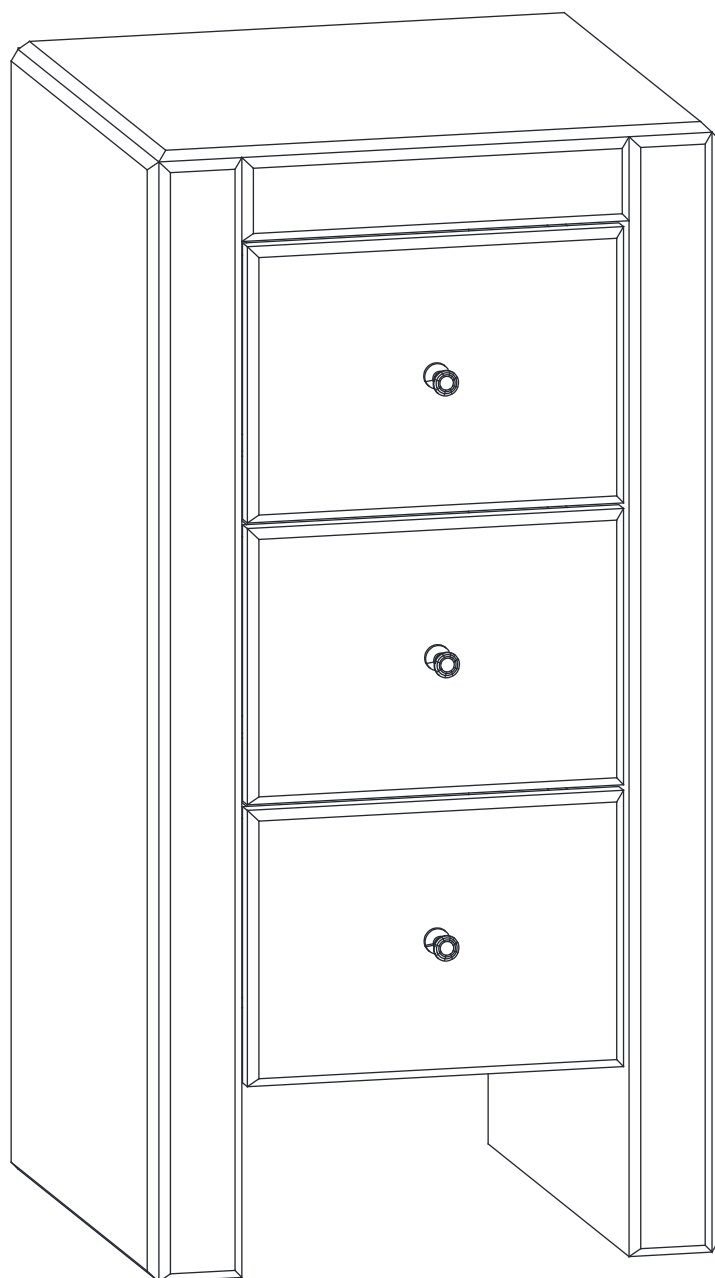
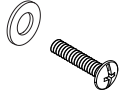


13030148



## Hardwrae List

**A**



Screw and washer (3pcs)

**B**



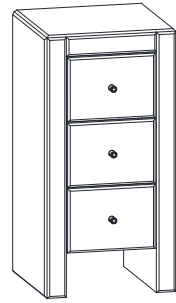
Knob (3pcs)

**C**



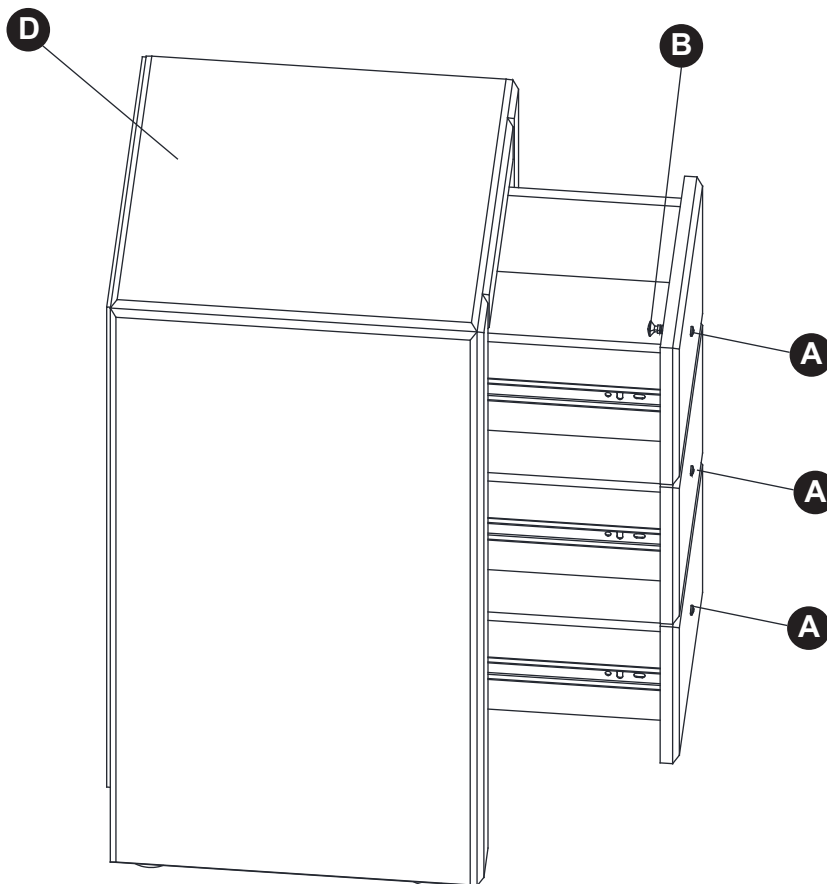
Polishing cloth (1pc)

**D**



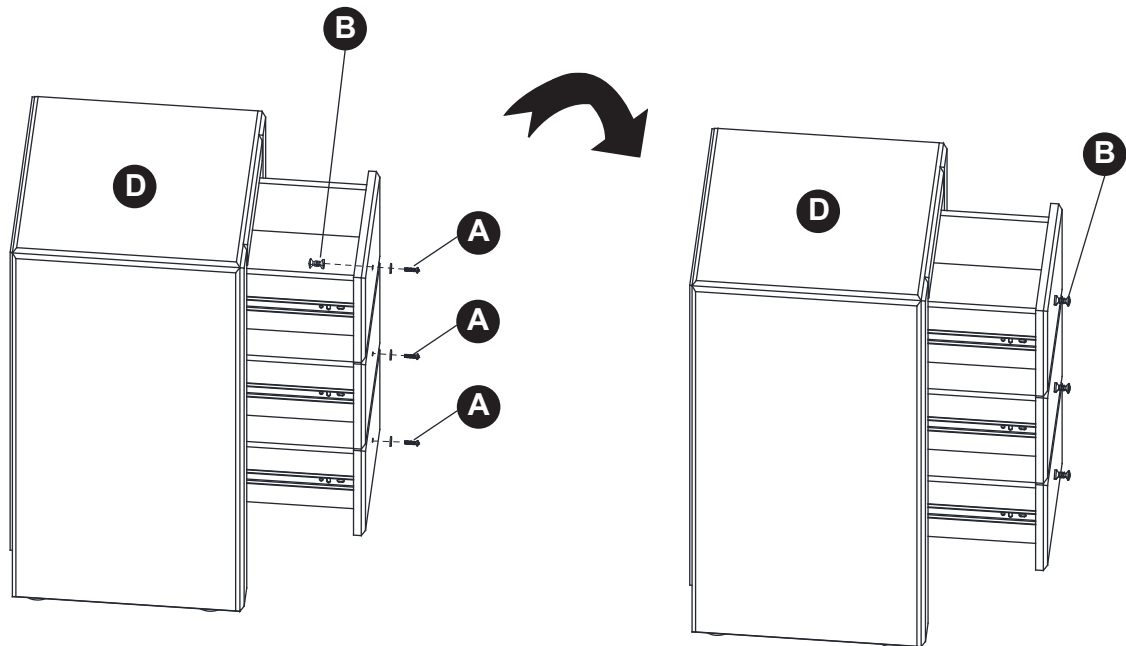
Mirror end table (1pc)

## Step 1



## Step 2

\*Change the knobs from inside to outside.



## Step 3

Finish and enjoy.

